

Main Body Frame Unit and Wiring Diagram

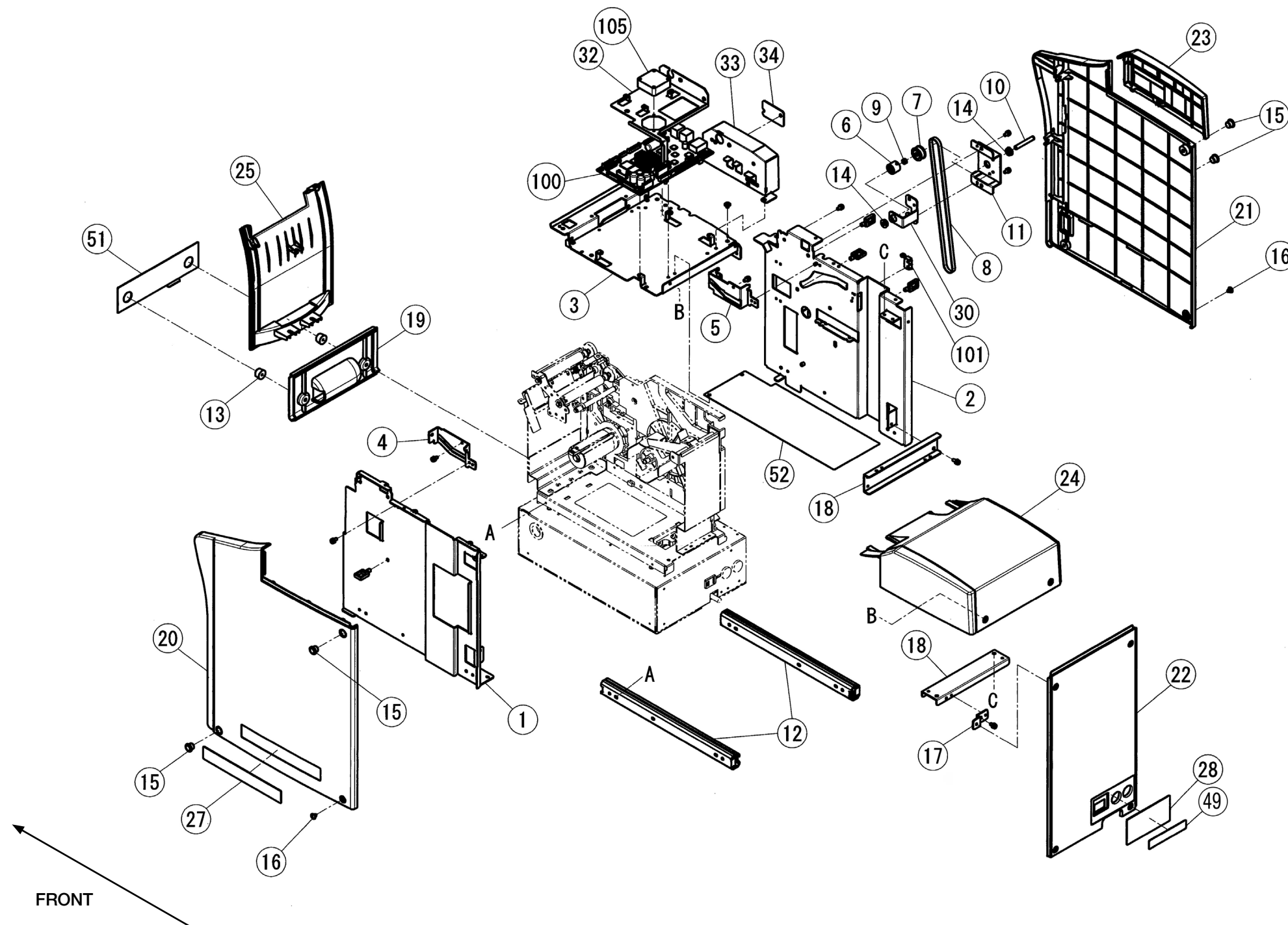
Part Number/Price

REF #	PART #	DESCRIPTION	QTY	SYNONYM	PRICE
1	Consult	Frame, right	1	100-001-0140-01	Consult
2	Consult	Frame, left	1	100-001-0138-01	Consult
3	Consult	Frame, upper	1	100-001-0146-06	Consult
4	Consult	Rail, slide, right	1	000-111-5818-17	Consult
5	Consult	Rail, head, left	1	100-001-0139-01	Consult
6	187312	Gear, flat	1	000-110-7768-14	Consult
7	187313	Timing pulley, S3M	1	000-110-7770-21	Consult
8	174982	Timing belt, S3M	1	000-110-7891-10	Consult
9	187314	Collar, spacer	1	000-117-9639-15	Consult
10	187315	Shaft, drive	1	100-001-0147-00	Consult
11	Consult	Bracket, gear	1	100-001-0135-02	Consult
12	187316	Rail, slider	2	000-043-1905-02	Consult
13	Consult	Rubber pad	2	000-130-0983-02	Consult
14	187317	Bearing, radial	2	100-002-9830-00	Consult
15	42967	Cap	4	000-001-4457-10	Consult
16	202414	Screw, truss step w/collar	2	000-112-1419-08	Consult
17	Consult	Bracket, cover, rear	1	100-001-0134-01	Consult
18	Consult	Frame, main body	2	100-001-0133-00	Consult
19	Consult	Cover, front, below	1	000-110-7907-16	Consult
20	198608	Cover, right side	1	000-110-7908-20	Consult
21	198610	Cover, left side	1	000-110-7906-12	Consult
22	198611	Cover, rear	1	000-110-7905-19	Consult
23	189319	Cover, left, upper	1	000-110-7903-12	Consult
24	208753	Cover assy, machine, upper	1	000-110-7928-14	Consult
25	206555	Cover, front	1	000-110-7909-13	Consult
27	Consult	Name plate, specification	1		Consult
28	Consult	Name plate, explanation	1	100-001-5341-00	Consult
30	Consult	Bracket, bearing	1	100-002-7191-01	Consult
32	Consult	Bracket, fan	1	100-001-0166-01	Consult
33	Consult	Cover, board	1	100-001-0163-02	Consult
34	Consult	Cover, blank	1	100-001-0164-01	Consult
49	186497	Name plate, EMC	1	100-000-5604-00	Consult
51	Consult	Cover, weigh	1	000-111-5799-10	Consult
52	Consult	Sheet, circuit board	1	100-014-6580-00	Consult
100	158280	PWB, P-1100A, main CPU board	1	000-141-6280-26	Consult
—	178290	CF card, SSD with OS, IP-AI-P	1	100-004-8422-00	Consult
101	174983	Sensor assy, cassette closed	1	100-000-4614-01	Consult
102	Consult	Harness, S2, SW	1	100-000-9767-01	Consult
103	Consult	Harness, C2, key	1	100-000-4022-01	Consult
104	196353	Harness, C2, thermal head	1	100-000-4615-02	Consult
105	174984	Fan assy	1	000-137-0800-14	Consult
106	186520	Harness, S1, transfer	1	000-133-8499-16	Consult
108	186534	Accessory, clamp, shield	1	000-135-7195-06	Consult
109	186530	Filter, ferrite core	1	000-102-3466-01	Consult
110	187318	Filter, ferrite core	1	000-074-0769-03	Consult
111	186522	Filter, ferrite core	1	000-096-9524-03	Consult
112	198409	Gasket, conductive	1	000-139-2688-06	Consult
113	198408	Gasket, conductive main	2	000-139-2689-00	Consult
999	Consult	Accessory, clamp, LWS clamp	3	000-073-7213-08	Consult
999	Consult	Accessory, clamp, LWS clamp	4	000-073-7212-04	Consult
999	Consult	Cover, harness	1	100-008-0881-01	Consult

See the [IP-AI-P Wiring Diagram on page 6](#) for harness details

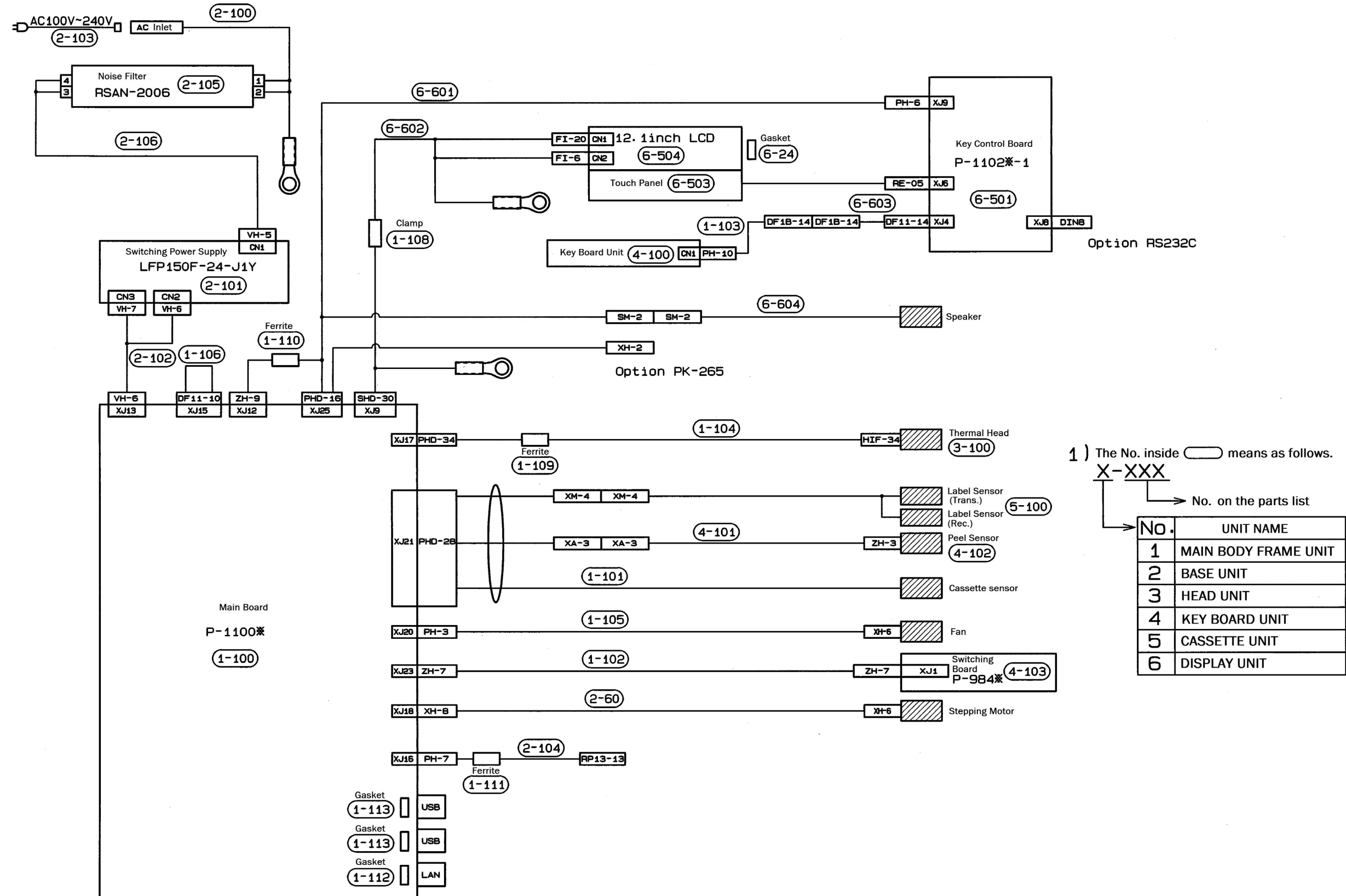
Ishida IP-Ai-P

Main Body Frame Unit and Wiring Diagram



Ishida IP-Ai-P

Wiring Diagram



1) The No. inside X-XXX means as follows.

No.	UNIT NAME
1	MAIN BODY FRAME UNIT
2	BASE UNIT
3	HEAD UNIT
4	KEY BOARD UNIT
5	CASSETTE UNIT
6	DISPLAY UNIT