

Rice Lake RS-130/RS-160

Battery-Operated Price Computing Scales



RS-130 Pole



RS-160 Bench

Standard Features

- Toggle between lb/kg/oz*
- PLU keys for direct price lookups
- Cash back calculation
- Large stainless steel platter
- In-use cover
- Pole swivels to face desired direction
- Battery charge indicator
- Internal sealed battery
- Customer display

*Not Measurement Canada Approved

Specifications

Power:

Rechargeable battery: DC 6V/25 mA
AC adapter: AC 115V/0.1A max (included)

Battery Life:

100+ hours, 8 to 10 hours to recharge

Resolution:

Display: 3,000 divisions maximum

Annunciators:

Net, zero, kg, lb, oz. change due, cash received

Display:

LCD backlit, 0.45 in (11.5 mm)

Display Items:

Weight: Five-digits
Unit price: Five-digits
Total price: Six-digits

Keys/Buttons:

Change, unit, zero, tare buttons
Nine PLU keys

Temperature Range:

Certified: 14 °F to 104 °F (-10 °C to 40 °C)

Warranty:

One-year limited

Approvals:

NTEP 04-067, Class III 3000d

Approvals



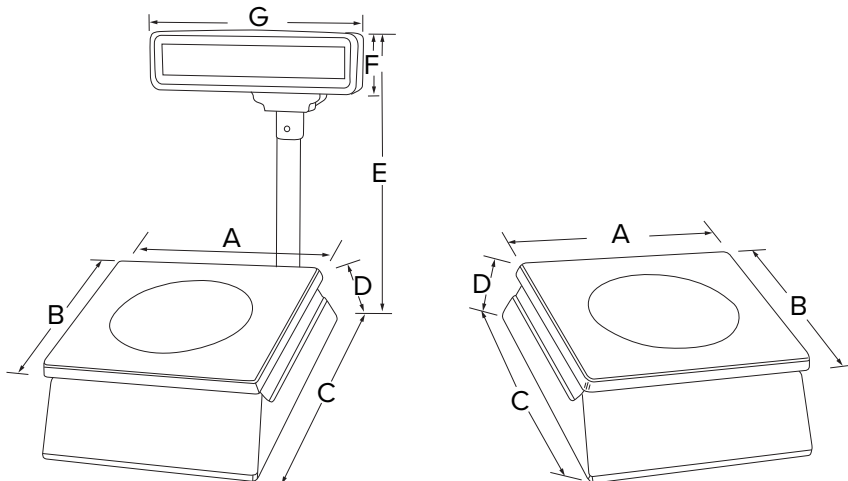
Part Number/Price

Part #	Model	Capacity	Est. Weight	Price
167941	RS-130 Bench	30 lb × 0.01 lb 15 kg × 0.005 kg 480 oz × 0.2 oz	12 lb	Consult
168100	RS-130 Pole	30 lb × 0.01 lb 15 kg × 0.005 kg 480 oz × 0.2 oz	13 lb	Consult
167942	RS-160 Bench	60 lb × 0.02 lb 30 kg × 0.01 kg 960 oz × 0.5 oz	12 lb	Consult
168101	RS-160 Pole	60 lb × 0.02 lb 30 kg × 0.01 kg 960 oz × 0.5 oz	13 lb	Consult

NOTE: Buy quantity of 5 and get a 50% discount

Options/Accessories

Part #	Description	Price
169634	Additional operating manual	Consult
169635	Additional calibration instructions	Consult
85711	Additional in-use cover	Consult
47976	Fish platter, (W × D) 9.5 × 13.5 in	Consult
47977	Produce platter, (W × D) 9.5 × 13.5 in	Consult
85710	Replacement rechargeable battery, 6V	Consult



Dimensions

Bench			
Unit			
A	300 mm	C	330 mm
B	240 mm	D	120 mm
Pole			
Unit			
A	300 mm	E	410 mm
B	240 mm	F	78 mm
C	330 mm	G	280 mm
D	120 mm		

RETAIL SCALES