





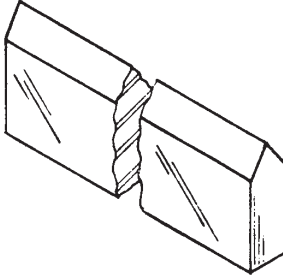
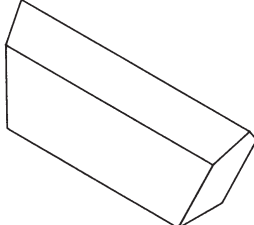
MISCELLANEOUS

MISCELLANEOUS

Baker/Weld-tec®

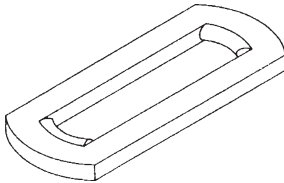
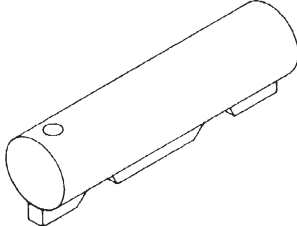
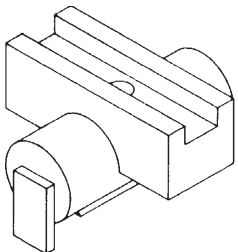
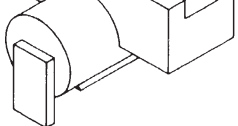
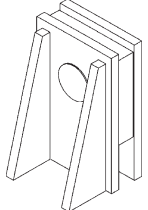
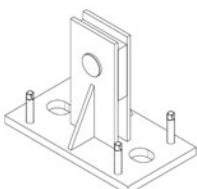
Truck Scale Parts

MISCELLANEOUS

RL PN	DESCRIPTION	SUGGESTED LIST	
34353	Size: 1 in x 3/4 in x 6 9/16 in 5 1/8 in between feet Bearing, 50 and 60 ton, load fulcrum	\$63.00	
34352	Size: 1 in x 3/4 in x 8 in 6 1/8 in between feet Bearing, 80 ton, fulcrum	\$70.00	
34351	Size: 1 in x 3/4 in x 8 in 6 5/8 in between feet Bearing, 80 ton, load	\$70.00	
F462	Size: 1 in x 3/4 in x 6 in 4 3/16 in between feet Bearing, all torque tube fulcrum	\$62.00	
F461	Bearing size: 1 in x 3/4 in x 2 1/16 in Block size: 2 in x 1 in x 5 1/4 in Bearing assembly, upper tip connection	\$73.00	
F460	Bearing size: 1 in x 3/4 in x 2 1/16 in Block size: 2 in x 3/4 in x 5 1/4 in Bearing assembly, lower tip connection	\$75.00	
10800	Size: 1/2 in x 1 1/32 in x 6 1/2 in Pivot, load and fulcrum 50 And 60 ton, 32 1/2 ton/section	\$40.00	
10801	Size: 1/2 in x 1 1/32 in x 8 in Pivot, load and fulcrum 80 Ton, 40 ton/section	\$48.00	
F454P	Size: 1/2 in x 1 in x 6 in Pivot, torque tube load and fulcrum All capacities	\$39.00	
F457P	Size: 1/2 in x 1 in x 2 in Pivot, tip All capacities	\$26.00	

Baker/Weld-tec®

Truck Scale Parts (Cont.)

RL PN	DESCRIPTION	SUGGESTED LIST	
H714L	Link Size: 3/4 in x 5 in x 12 3/8 in Link inner dimension 8 3/8 in All models	\$117.00	
SP403	Trunnion Size: 2 in dia x 8 in All models	\$175.00	
SP404	Saddle block Size: 5 in x 3 in x 5 in All 30, 50, and 60 Ton scales With 6 1/2 in pivots	\$301.00	
22912	Saddle block Size: 5 in x 3 in x 6 1/2 in All 80 ton scale With 8 in Pivot	\$311.00	
11129	Stand, portable scales Size: 5 in x 7 5/8 in to beginning surface 32 1/2 Ton/sectional scales	\$301.00	
S9686-1	Stand, pit Size: 8 in x 18 in base x 8 1/2 in high 32 1/2 Ton sectional	\$340.00	

MISCELLANEOUS

Kit No. 35418

Pivot and Bearing Kit, 2-Section, 30-Ton

QTY	RL PN	DESCRIPTION
8.....	10800	Pivot, load and fulcrum
8.....	34353	Bearing, load and fulcrum
4.....	F454P	Pivot, torque tube load and fulcrum
3.....	F457P	Pivot, tip
3.....	F460	Bearing block assembly
2.....	F461	Bearing block assembly
2.....	F462	Bearing, torque tube fulcrum

\$1,569.00 Suggested list/50 lb shipping weight

Kit No. 35419

Suspension Kit, 2-Section, 30 Ton

QTY	RL PN	DESCRIPTION
8.....	H714L	Link
4.....	SP403	Trunnion
4.....	SP404	Saddle block

\$2,577.00 Suggested list/135 lb shipping weight

Kit No. 35420

Pivot and Bearing Kit, 4-Section, 50 and 60 Ton, 32 1/2 Tons Per Section

QTY	RL PN	DESCRIPTION
16.....	10800	Pivot, load and fulcrum
16.....	34353	Bearing, load fulcrum
8.....	F454P	Pivot, torque tube load and fulcrum
5.....	F457P	Pivot, tip
5.....	F460	Bearing block assembly
4.....	F461	Bearing block assembly
4.....	F462	Bearing, torque tube fulcrum

\$3,138.00 Suggested list/100 lb shipping weight

Baker/Weld-tec®

Truck Scale Kits (Cont.)

MISCELLANEOUS

Kit No. 35421

Suspension Kit, 4-Sections, 50 and 60 Ton, 32 1/2 Tons Per Section

QTY	RL PN	DESCRIPTION
-----	-------	-------------

16.....	H714L.....	Link
8.....	SP403.....	Trunnion
8.....	SP404.....	Saddle block

\$5,152.00 Suggested list/265 lb shipping weight

Kit No. 35422

Pivot and Bearings Kit, 5-Section, 50 and 60 Ton, 32 1/2 Tons Per Section

QTY	RL PN	DESCRIPTION
-----	-------	-------------

20.....	10800	Pivot, load and fulcrum
20.....	34353	Bearing, load and fulcrum
10.....	F454P	Pivot, torque tube load and fulcrum
6.....	F457P	Pivot, tip
6.....	F460	Bearing block assembly
5.....	F461	Bearing block assembly
5.....	F462	Bearing, torque tube fulcrum

\$3,530.00 Suggested list/130 lb shipping weight

Kit No. 35423

Suspension Kit, 5-Section, 50 and 60 Ton, 32 1/2 Tons Per Section

QTY	RL PN	DESCRIPTION
-----	-------	-------------

20.....	H714L.....	Link
10.....	SP403.....	Trunnion
10.....	SP404.....	Saddle block

\$6,440.00 Suggested list/325 lb shipping weight

Kit No. 35424

Pivot and Bearings Kit, 4-Section, 80 Ton, 40 Tons Per Section

QTY	RL PN	DESCRIPTION
-----	-------	-------------

16.....	10801	Pivot, load and fulcrum
8.....	34351	Bearing, load
8.....	34352	Bearing, fulcrum
8.....	F454P	Pivot, torque tube load and fulcrum
5.....	F457P	Pivot, tip
5.....	F460	Bearing block assembly
4.....	F461	Bearing block assembly
4.....	F462	Bearing, torque tube fulcrum

\$3,068.00 Suggested list/110 lb shipping weight

Baker/Weld-tec®

Truck Scale Kits (Cont.)

MISCELLANEOUS

Kit No. 35425

Suspension Kit, 4-Section, 80 Ton, 40 Tons Per Section

QTY	RL PN	DESCRIPTION
-----	-------	-------------

16.....	H714L.....	Link
8.....	SP403.....	Trunnion
8.....	22912	Saddle block

\$5,481.00 Suggested list/280 lb shipping weight

Kit No. 35426

Pivot and Bearings Kit, 5-Sections, 80 Ton, 40 Tons Per Section

QTY	RL PN	DESCRIPTION
-----	-------	-------------

20.....	10801	Pivot, load and fulcrum
10.....	34351	Bearing, load
10.....	34352	Bearing, fulcrum
10.....	F454P	Pivot, torque tube load and fulcrum
6.....	F457P	Pivot, tip
6.....	F460	Bearing block assembly
5.....	F461	Bearing block assembly
5.....	F462	Bearing, torque tube fulcrum

\$3,835.00 Suggested list/135 lb shipping weight

Kit No. 35427

Suspension Kit, 5-Section, 80 Ton, 40 Tons Per Section

QTY	RL PN	DESCRIPTION
-----	-------	-------------

20.....	H714L.....	Link
10.....	SP403.....	Trunnion
10.....	22912	Saddle block

\$6,598.00 Suggested list/350 lb shipping weight

Canadian Scale Co. Ltd.®

Truck Scale Parts

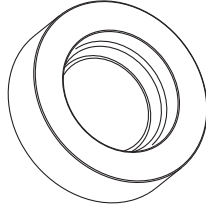
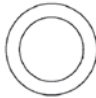


RL PN	DESCRIPTION	SUGGESTED LIST	
H614P	Canadian PN Pivot, Size: 1/2 in x 1 1/8 in x 2 in	\$37.00	
C103P	Canadian PN Pivot, Size: 1/2 in x 1 1/8 in x 5 1/2 in	\$49.00	
P716P	Canadian PN Pivot, Size: 1/2 in x 1 1/8 in x 6 1/2 in	\$51.00	
C102	Canadian PN Bearing Size: 1 in x 1 in x 5 1/2 in Hole in bottom	\$59.00	
C104	Canadian PN Bearing Size: 1 in x 1 in x 6 1/2 in Hole in bottom	\$63.00	
C101	Canadian PN Bearing Size: 1 in x 1 in x 6 1/2 in Hole in side	\$63.00	

MISCELLANEOUS

Cardinal® SCA Load Cell

Load Cup Identification AND PN

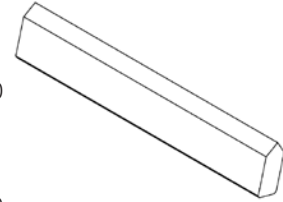
MISCELLANEOUS

RL PN	DESCRIPTION	SUGGESTED LIST	
69431	Cups, load cell For 50k SCA Size: 2 1/2 in dia x 13/16 in H, 1.910 inner dimension Upper and lower	\$63.00	
85433	Rice lake rlzca Cups, load cell Size: 2 1/2 in dia x 3/4 in H, 1 1/2 in inner dimension Set of two pieces	\$95.00	
92988	O-ring, Rice Lake cell Size: 1 1/4 in I.D. x 1 1/2 outer dimension RLSCA	\$1.00	
68918	Load cell, RLSCA Replaces cardinal SCA Size: 3 outer dimension x 7 3/4 in with cups Complete, load cell and cups	\$995.00	

Durline/Derlein®

Truck Scale Parts

RL PN	DESCRIPTION	SUGGESTED LIST
508100	Equiv. Durline no. 508100, 290013 Pivot Size: 1/2 in x 1 in x 2 in	\$30.00
508200	Equiv. Durline no. 508200, 290014 Pivot Size: 1/2 in x 1 in x 3 in	\$33.00
508300	Equiv. Durline no. 508300, 290015 Pivot Size: 1/2 in x 1 in x 4 in	\$36.00
508400	Equiv. Durline no. 508400, 290016 Pivot Size: 1/2 in x 1 in x 5 7/8 in	\$38.00
508500	Equiv. Durline no. 508500, 290017 Pivot Size: 1/2 in x 1 in x 7 in	\$40.00
508600	Equiv. Durline no. 508600, 290018 Pivot Size: 1/2 in x 1 in x 8 in	\$62.00
508700	Equiv. Durline no. 508700, 290019 Pivot Size: 1/2 in x 1 in x 9 3/8 in	\$66.00



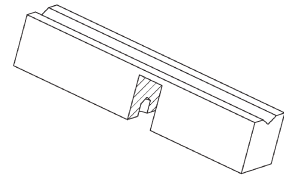
MISCELLANEOUS

Durline/Derlein®

Truck Scale Parts (Cont.)

MISCELLANEOUS

RL PN	DESCRIPTION	SUGGESTED LIST
508800	Equiv. Durline no. 508800 Bearing Size: 1 in x 1 in x 1 in	\$28.00
508900	Equiv. Durline no. 508900 Bearing size: 1 in x 1 in x 2 in	\$30.00
509100	Equiv. Durline no. 509100 Bearing size: 1 in x 1 in x 3 in	\$38.00
509200	Equiv. Durline no. 509200 Bearing size: 1 in x 1 in x 5 7/8 in	\$58.00
509300	Equiv. Durline no. 509300 Bearing size: 1 in x 1 in x 7 in	\$61.00
509500	Equiv. Durline no. 509500 Bearing size: 1 in x 1 1/2 in x 9 3/8 in	\$142.00
509000	Equiv. Durline no. 509000 Bearing with frictions size: 1 in x 1 in x 2 1/8 in	\$37.00
509101	Equiv. Durline no. 509101 Bearing with frictions size: 1 in x 1 in x 2 7/8 in	\$38.00



Durline/Derlein®

Suspension

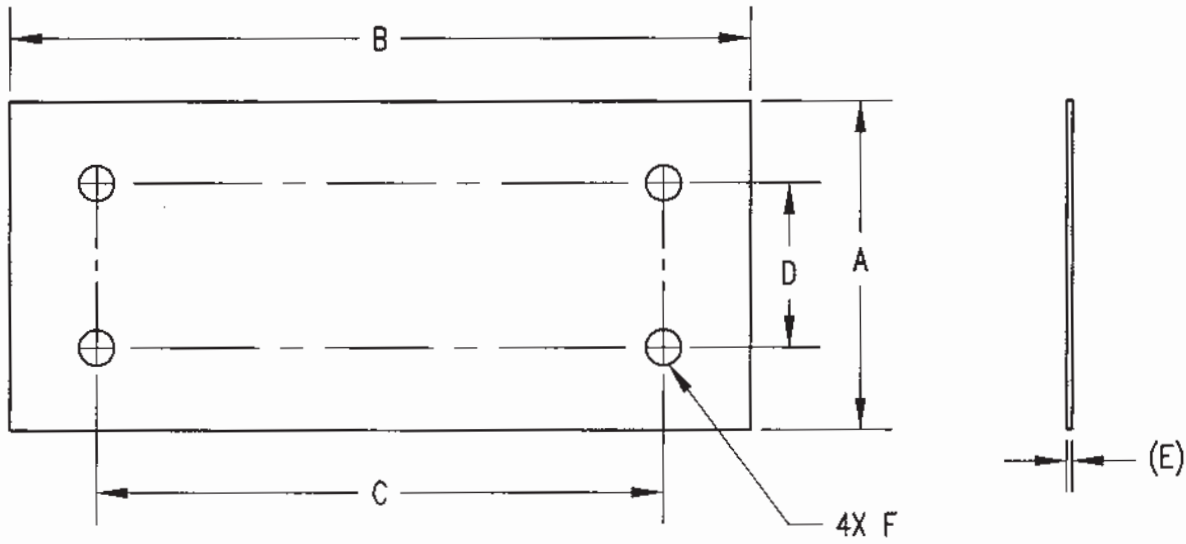
RL PN	DESCRIPTION	SUGGESTED LIST	
502800	Equiv. Durline no. 502800 Size: 2 in dia x 7 1/4 in Trunnion 35/42 T sec	\$165.00	
109573	Equiv. Durline no. 502900, 675006 Size: 2 1/2 in dia x 7 7/16 in Trunnion 55/75 T sec	\$193.00	
109564	Equiv. Durline no. Size: 4 3/8 in x 4 in x 5 5/8 in Saddle block 35/42 T sec	\$311.00	
84196	Equiv. Durline no. 675002 Size: 4 1/4 in x 4 in x 9 in Saddle block 55/75 T sec	\$361.00	
502200	Equiv. Durline no. 502200 Size: 5/8 in x 5 in x 12 in, 8 5/8 in inner diameter Link 35/42 T sec	\$117.00	
84860	Equiv. Durline no. 675005 Size: 3/4 in x 6 in x 16 in, 11 1/16 in inner diameter Link 55/75 T sec	\$125.00	
94657	Equiv. Durline no. 300024 Size: 2 in x 2 1/2 in x 6 in Tip connection with bearing 35/42 T sec	\$98.00	
84221	Equiv. Durline no. 675014 Size: 2 in x 2 in x 6 in Tip connection 55/75 T sec	\$107.00	
94658	Equiv. Durline no. 300023 Size: 2 in x 2 1/2 in x 6 in Tip connection 35/42 T sec	\$102.00	
84219	Equiv. Durline no. 675015 Size: 2 in x 3 1/4 in x 6 in Tip connection 55/75 T sec	\$108.00	
S10156	equiv. Durline no. Size 10 in x 12 in base x 14 3/8 in Girder chair	\$328.00	

MISCELLANEOUS

ELECTRONIC FLEXURES


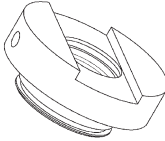
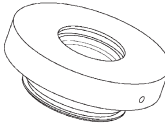
MISCELLANEOUS

PN	A	B	C	D	E	F	SUGGESTED LIST
33305	2.50	3.00	1.500	1.50	.032	ø0.390	\$35.00
33306	2.50	3.00	1.500	1.50	.025	ø0.390	\$35.00
33303	3.00	3.25	2.250	1.50	.032	ø0.390	\$38.00
33304	3.00	3.25	2.250	1.50	.025	ø0.390	\$38.00
11142	3.00	3.25	1.750	1.50	.040	ø0.390	\$49.00
33302	3.00	3.75	2.250	1.50	.032	ø0.390	\$38.00
11138	3.00	3.75	2.250	1.50	.042	ø3.90	\$49.00
33087	3.00	4.75	3.250	1.50	.032	ø0.390	\$38.00
11140	3.00	4.75	3.250	1.50	.040	ø0.390	\$49.00
11141	4.00	5.50	3.500	2.00	.062	ø0.531	\$49.00
33086	4.00	6.00	3.500	2.00	.062	ø0.500	\$38.00
33307	4.00	7.00	4.500	2.00	.062	ø0.500	\$38.00
Consult	4.00	4.75	3.25	2.00	.062	ø0.531	\$45.00



FAIRBANKS ROCKER COLUMN LOAD CELLS

Load Cup Identification and PN

RL PN	DESCRIPTION	SUGGESTED LIST	
109228	Equiv. Fairbanks no. 66980 Size: 3 3/4 in dia x 1 3/8 in Fits upper and lower Fits Flintec and sensortronic LCF -HR4020-1 With o-ring 72103	\$187.00	
109331	Equiv. Fairbanks no. 70511 Size: 3 3/4 in dia x 1 5/8 in Receiver cup, lower Fits flintec rc3 For load cell lcf-hr4020-2A With roll pin, pn 15290 With o-rings, pn 72103, 109355	\$110.00	
109332	Equiv. Fairbanks no. 70512 Size: 3 3/4 in dia x 1 3/8 in Receiver cup, upper Fit flintec rc3 For load cell lcf-hr4020-2A With o-rings, pn 72103, 109355	\$135.00	

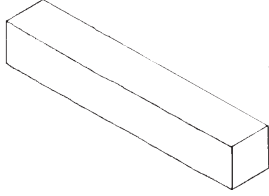
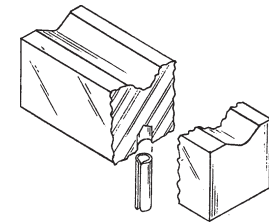
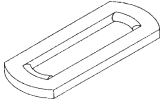
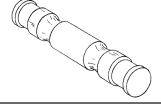
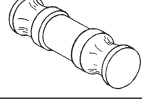



Call for other load cell cups.

MISCELLANEOUS

Hardin®

Truck Scales

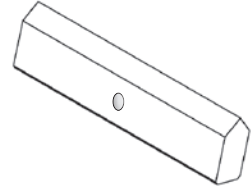
MISCELLANEOUS

RL PN	DESCRIPTION	SUGGESTED LIST	
10873	Hardin equiv. PN Pivot Size: 1/2 in x 1/2 in x 6 in	\$44.00	
TH922P	Hardin equiv. PN Pivot Size: 1/2 in x 1/2 in x 2 1/4 in	\$29.00	
10799	Hardin equiv. PN Bearing Size: 1 in x 1 in x 3 in	\$48.00	
CM702	Hardin equiv. PN Bearing Size: 1 in x 1 in x 6 in	\$57.00	
H714L	Hardin equiv. PN Link Size: 3/4 x 5 in x 12 3/8 in	\$117.00	
11121	Hardin equiv. PN Trunnion Size: 2 in dia x 8 1/2 in	\$178.00	
11120	Hardin equiv. PN Saddle pin Size: 2 in dia x 5 1/2 in	\$140.00	
H910	Hardin equiv. PN Stand, main lever Size: 8 in x 14 in base x 11 in high	\$400.00	

Rex[®]

Hopper Scale Pivots

RL PN	DESCRIPTION	SUGGESTED LIST
10983	Pivot Size: 1/2 in x 3/4 in x 3 3/4 in	\$51.00
11020	Pivot Size: 3/4 in x 1 in x 4 3/4 in	\$66.00
10984	Pivot Size: 1 in x 1 1/4 in x 6 in	\$82.00



MISCELLANEOUS

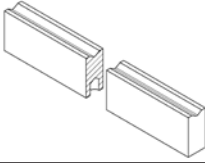
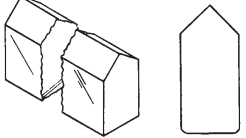
Rice Lake

Load Cell Cups

RL PN	DESCRIPTION	SUGGESTED LIST	
71602	Toledo equiv. TA200764, 68000410 Size: 3 3/4 in dia x 1 1/4 in Standard digital upper	\$172.00	
44290	Rice Lake retro kit cup Size: 3 3/4 in dia x 1 3/4 in lower For kits 78713, 78714 and 152774 With Flintec RC1 load cell	\$172.00	
154107	Rice Lake retro kit cup Size: 3 3/4 in dia x 1 13/16 in upper For kit no. 154347, 154348, 154349 upper With Flintec RC3 load cell Truck only	\$172.00	
154106	Rice Lake retro kit cup Size: 3 3/4 in dia x 2 3/16 in For kit no. 154347, 154348, 154349 lower With Flintec RC3 load cells Truck scale only	\$172.00	
111365	Rice Lake retro kit cup Size: 3 3/4 in dia x 2 in upper For kits 129844, 111367 With Flintec RC3 load cells Rail/truck combo for kits 129844 and 111367	\$135.00	
111366	Rice Lake retro kit cup Size: 4 1/8 in dia x 1 3/8 in lower With Flintec RC3 load cells Rail/truck combo for kits 129844 and 111367	\$135.00	

Southwestern®

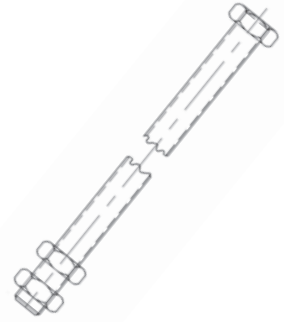
Truck Scale Parts

RL PN	DESCRIPTION	SUGGESTED LIST	
10825	Bearing Size: 5/8 in x 1 1/4 in x 7 in	\$61.00	
10823	Bearing Size: 5/8 in x 1 1/4 in x 6 in	\$57.00	
10834	Pivot Size: 1/2 in x 1 in x 7 in	\$46.00	
10832	Pivot Size: 1/2 in x 1 in x 6 in	\$42.00	
10843	Pivot Size: 1/2 in x 1 in x 2 in	\$25.00	

MISCELLANEOUS

TIP CONNECTION BOLTS

RL PN	DESCRIPTION	SUGGESTED LIST
154030	Bolt, 1/2 in dia x 16 in	\$22.00
90846	Bolt, 5/8 in dia x 8 in	\$15.00
90836	Bolt, 5/8 in dia x 13 in	\$17.00
90815	Bolt, 5/8 in dia x 16 in	\$18.00
CM721	Bolt, 5/8 in dia x 18 in	\$24.00
154029	Bolt, 3/4 in dia x 12 in	\$21.00
94458	Bolt, 3/4 in dia x 15 in	\$29.00
94459	Bolt, 3/4 in dia x 21 in	\$37.00



METTLER-TOLEDO® DIGITAL LOAD CELLS

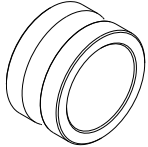
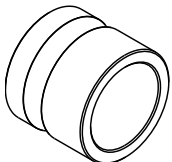
Load Cup Identification and PN

RL PN	DESCRIPTION	SUGGESTED LIST	
71602	Toledo equiv. no. TA200764, 68000410 Size: 3 3/4 in dia x 1 1/4 in Receiver cup, upper With o-ring 72103 Fits Digital cells E14CO2500A, 15476400A A15475900A truck scales only	\$172.00	
101563	Toledo equiv. no. TA200814, 68000400 Size: 3 3/4 in dia x 1 1/4 in Receiver cup, lower With o-ring 72103 Fits Digital cells E14002500A, E12995400A 15476400A, A15475900A truck scales only	\$189.00	
156255	Toledo equiv. no. TA200835-1, 68004120 Size: 3 3/4 in dia x 1 1/2 H Receiver cup, upper With o-ring 94272 Fits Digital cells PN 14002900A, 15475900A truck/truck combo	\$189.00	
156254	Toledo equiv. no. TA200830-1, 68004119 Size: 4 1/8 in dia x 1 1/2 H Fits digital cells PN 14002900A, 15475900A truck/truck combo	\$189.00	

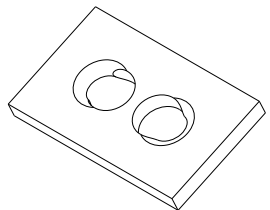
MISCELLANEOUS

INDIVIDUAL SCALE PARTS

UNIBRIDGE®

RL PN	DESCRIPTION	SUGGESTED LIST	
130187	Equiv. Unibridge no. Size: 1.8 in inner dimension x 2.375 in outer dimension x 1 3/8 lg Mechanical Sleeve	\$123.00	
130188	Equiv. Unibridge no. Size: 1.8 in inner dimension x 2.375 in outer dimension x 2 1/16 lg Electronic scales Sleeve	\$123.00	

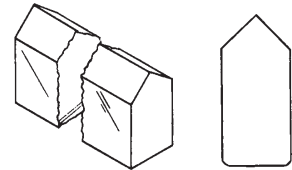
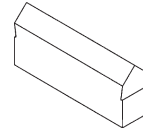
AVERY WEIGH-TRONIX®

RL PN	DESCRIPTION	SUGGESTED LIST	
154031	Equiv. Weigh-tronix no. Link Size: 3/4 x 5. x 8 1/2 in 4 13/16 in inner dimension	\$140.00	
154118	Equiv. Weigh-tronix no. 27171-0014 Link Size: 3/4. x 6 x 8 1/2 in 4 13/16 in inner dimension	\$152.00	
154119	Equiv. Weigh-tronix no. 50816-0015 Link Size: 1 x 6 x 9 in 4 15/16 in inner dimension	\$178.00	
154144	Equiv. Weigh tronix no. 14006-0013 Size: 1 3/4 in dia x 4 1/4 in 1 1/2-12Nf threads	\$198.00	
154146	Equiv. Weigh tronix no. 50816-0017 Pin with spacer 55488-0013 Size: 2 1/2 in dia x 8 1/4 in	\$178.00	

Winslow®

Truck Scale Parts

RL PN	DESCRIPTION	SUGGESTED LIST
10739	Equiv. Winslow no. A698 Size: 1/2 in x 1 in x 2 1/4 in	\$37.00
89459	Equiv. Winslow no. B20 Size: 1/2 in x 1 in x 1 1/2 in Pivot	\$29.00
10733	Equiv. Winslow no. B2 Size: 31/64 in x 1 in x 2 3/4 in	\$29.00
10702	Equiv. Winslow no. D95L1 Size: 1/2 in x 1 in x 2 3/4 in	\$29.00
10714	Equiv. Winslow no. D95 L15 Size: 1/2 in x 1 in x 3 3/16 in	\$30.00
10717	Equiv. Winslow no. B983L1 Size: 1/2 in x 1 in x 4 1/8 in	\$31.00
10718	Equiv. Winslow no. B983L2 Size: 1/2 in x 1 in x 4 5/8 in	\$31.00
10719	Equiv. Winslow no. B983L3 Size: 1/2 in x 1 in x 5 1/4 in	\$33.00
10721	Equiv. Winslow no. B983L3 Size: 1/2 in x 1 in x 5 5/8 in	\$36.00
10700	Equiv. Winslow no. D95L3 Size: 1/2 in x 1 in x 6 1/16 in	\$37.00
10701	Equiv. Winslow no. D95L4 Size: 1/2 in x 1 in x 6 9/16 in	\$39.00
10722	Equiv. Winslow no. B983 Size: 1/2 in x 1 in x 6 5/8 in	\$39.00
10704	Equiv. Winslow no. D95L5 Size: 5/8 in x 1 1/4 in x 8 7/16 in	\$104.00
10724	Equiv. Winslow no. B983L7 Size: 5/8 in x 1 1/4 in x 8 1/2 in	\$104.00



MISCELLANEOUS

Winslow®

Truck Scale Parts (Cont.)

MISCELLANEOUS

RL PN	DESCRIPTION	SUGGESTED LIST	
10742	Equiv. Winslow no. n/a Size: 7/8 in sq bearing	\$32.00	
10743	Equiv. Winslow no. B-15 Size: 5/8 in x 1 1/4 in x 2 3/8 in With friction plates	\$40.00	
89460	Equiv. Winslow no. B33 Size: 1/2 in x 1 in x 1 5/8 in Bearing	\$39.00	
10740	Equiv. Winslow no. B12 Size: 5/8 in x 1 1/4 in x 2 11/16 in With friction points both ends	\$40.00	
10741	Equiv. Winslow no. B431U Size: 5/8 in x 1 1/4 in x 2 5/8 in With a friction point on one end	\$46.00	
89458	Equiv. Winslow no. B38 Size: 5/8 in x 1 1/4 in x 1 7/8 in With a friction point on one end	\$39.00	
10752	Equiv. Winslow no. D101 I1 Size: 3/4 in sq. x 4 1/2 in	\$48.00	
11218	Equiv. Winslow no. A708 Size: 3/4 in sq. x 5 1/8 in	\$49.00	
10750	Equiv. Winslow no. A954 Size: 3/4 in sq. 295 5 1/2 in	\$53.00	
10753	Equiv. Winslow no. D101 L2 Size: 3/4 in sq. x 6 in	\$58.00	
10754	Equiv. Winslow no. D101 L3 Size: 3/4 in sq. x 6 1/2 in	\$61.00	
10755	Equiv. Winslow no. D101 L4 Size: 1 in sq. x 8 3/8 in	\$108.00	
89089	Equiv. Winslow no. A5483 Size: 1 15/16 in x 3 5/8 in x 6 3/8 in Cast steel with bearing insert PN 10754	\$165.00	

RL PN	ROLLERS	SUGGESTED LIST	
108469	1 in dia x 3 in	\$36.00	
108470	1 1/2 in dia x 3 in	\$33.00	
108471	1 1/2 in dia x 4 in	\$38.00	
108472	1 1/2 in dia x 6 in	\$39.00	
108473	1 1/2 in dia x 8 in	\$40.00	
108474	2 in dia x 8 in	\$41.00	
108475	2 in dia x 11 in	\$44.00	

Types of Winslow® Scales

Type P	Side arm with two rollers
Type P1	Economy 45° cast lever with two rollers
Type P2	Built after 1976 with two rollers
Type S	Pit scale with three rollers
Type S1	Pit scale, roadway, with three rollers
Type S2	Pit scale built after 1976 with three rollers
Type CS	PV-contractor with two rollers
Type CS1	PV-contractor 1972-1976 with two rollers
Type CS2	PV-contractor after 1976 with two rollers

Winslow® Kits

Truck Scale Kits

MISCELLANEOUS

Kit No. 89461

50 Ton, 4-Section, 40, 50 AND 60 feet, Type CS-1 1976 - 5-10-83 with 6 in Pivots

QTY	RL PN	EQUIV. WINSLOW #	DESCRIPTION
16.....	10700	D95 L3	Pivot
16.....	10753	D101 L2	Bearing, load x fulcrum 3/4 in x 3/4 in x 6 in
4.....	10739	A698	Pivot, m l tip 1/2 in x 1 in x 2 1/4 in
4.....	10743	B15	Bearing, lower m l tip 5/8 in x 1 1/4 in x 2 3/8 in
4.....	10740	B12	Bearing, upper 5/8 in x 1 1/4 in x 2 11/16 in
4.....	10740	B12	Bearing, stand 5/8 in x 1 1/4 in x 2 11/16 in
8.....	10702	D95 L1	Pivot, torque tube 1/2 in x 1 in x 2 3/4 in
1.....	89459	B20	Pivot, torque tube tip 1/2 in x 1 in x 1 1/2 in
1.....	89460	B33	Bearing, torque tube tip 1/2 in x 1 in x 1 5/8 in

\$2,595.00 Suggested list

Kit No. 89462

60 Ton, 4-Section, Type CS and CS1 1972-1976 with 6 1/2 in Pivots

QTY	RL PN	EQUIV. WINSLOW #	DESCRIPTION
16.....	10701	D95 L4	Pivot, load x fulcum 1/2 in x 1 in x 6 9/16 in
16.....	10754	D101 L3	*Bearing, load x fulcrum 3/4 in x 3/4 in x 6 1/2 in
4.....	10739	A698	Pivot, m l tip 1/2 in x 1 in x 2 1/4 in
4.....	10743	B15	Bearing, lower tip conn. 5/8 in x 1 1/4 in x 2 3/8 in
4.....	10740	B12	Bearing, upper tip conn. 5/8 in x 1 1/4 in x 2 11/16 in
4.....	10740	B12	Bearing, t tube stand 5/8 in x 1 1/4 in x 2 11/16 in
8.....	10702	D95 L	Pivot, torque tube 1/2 in x 1 in x 2 3/4 in
1.....	89459	B20	Pivot, torque tube tip 1/2 in x 1 in x 1 1/2 in
1.....	89460	B33	Bearing, torque tube tip 1/2 in x 1 in x 1 5/8 in

\$2,731.00 Suggested list

Kit No. 89463

50 x 60 Ton, 4-Section After June 1983, Type P2 and CS 2

QTY	RL PN	EQUIV. WINSLOW #	DESCRIPTION
16.....	10701	D95 L4	Pivot, load x fulcrum 1/2 in x 1 in x 6 9/16 in
16.....	89089	A5483	Bearing, load x fulcrum 2 in x 3 5/8 in x 6 3/8 in
4.....	10739	A698	Pivot, tip 1/2 in x 1 in x 2 1/4 in
8.....	10714	D95 L15	Pivot, torque tube 1/2 in x 1 in x 3 3/16 in
4.....	10743	B15	Bearing, lower tip conn. 5/8 in x 1 1/4 in x 2 3/8 in
4.....	10740	E373	Bearing, upper tip conn. 5/8 in x 1 in x 2 5/8 in
4.....	10740	E373	Bearing, torque tube stand 5/8 in x 1 1/4 in x 2 5/8 in
1.....	10734	7859-A2E	Pivot, torque tube tip 5/8 in dia x 3 1/8 in
2.....	10742	B646-3	Bearing, torque tube tip 7/8 in x 7/8 in x 7/8 in

\$4,163.00 Suggested list

* Cast steel bearing

Winslow® Kit

Truck Scale Kits (Cont.)

MISCELLANEOUS

Kit No. 89464

50 Ton, 4-Section, Type S, 1971-1976 with 6 in Pivots

QTY	RL PN	EQUIV. WINSLOW #	DESCRIPTION
16.....	10700.....	D95 L3.....	Pivot, load and fulcrum 1/2 in x 1 in x 6 1/16 in
16.....	10753.....	D101 L2.....	Bearing, load x fulcrum 3/4 in x 3/4 in x 6 in
4.....	10739.....	A698.....	Pivot, tip 1/2 in x 1 in x 2 1/4 in
4.....	10743.....	B15.....	Bearing, lower tip 5/8 in x 1 1/4 in x 2 3/8 in
4.....	89458.....	B38.....	Bearing, upper tip conn. 5/8 in x 1 1/4 in x 1 7/8 in
4.....	11024.....	7859-A4E.....	Pivot, adj
4.....	11023.....	7859-A5E.....	Pivot, fix
2.....	10742.....	B-646-3.....	Bearing, tip 7/8 in x 7/8 in x 7/8 in
1.....	10734.....	7859-A2E.....	Pivot, tip 5/8 in dia x 3 1/8 in
4.....	89458.....	B38.....	Bearing, torque tube stand 5/8 in x 1 1/4 in x 1 7/8 in

\$2,999.00 Suggested list

Kit No. 89465

50 Ton, 4-Section, Type S1, 6 in Pivots

QTY	RL PN	EQUIV. WINSLOW #	DESCRIPTION
16.....	10700.....	D95L3.....	Pivot, load x fulcrum 1/2 in x 1 in x 6 1/16 in
16.....	10753.....	D101L2.....	Bearing, load x fulcrum 3/4 in x 3/4 in x 6 in
4.....	10739.....	A698.....	Pivot, tip 1/2 in x 1 in x 2 1/4 in
4.....	10743.....	B15.....	Bearing, lower tip conn. 5/8 in x 1 1/4 in x 2 3/8 in
8.....	10702.....	D95 L1.....	Pivot, torque tube l and f 1/2 in x 1 in x 2 3/4 in
4.....	10740.....	B12.....	Bearing, upper tip conn. 5/8 in x 1 1/4 in x 2 11/16 in
4.....	10740.....	B12.....	Bearing, torque tube stand 5/8 in x 1 1/4 in x 2 11/16 in
1.....	10734.....	7859-A2.....	Pivot, torque tube tip 5/8 in dia x 3 1/8 in
2.....	10742.....	B646-3.....	Bearing, torque tube tip 7/8 in x 7/8 in x 7/8 in

\$2,090.00 Suggested list

