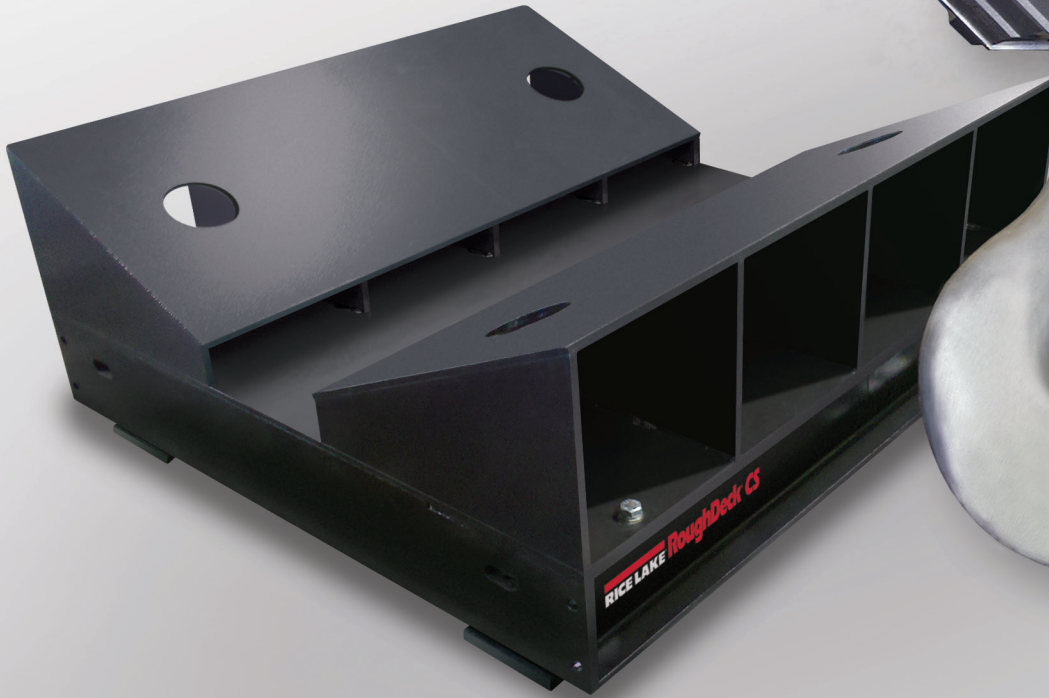


# MSI-9300HT Port-A-Weigh Plus

RF DIGITAL CRANE SCALE

# RoughDeck® CS

COIL SCALE



**RICE LAKE**<sup>®</sup>  
WEIGHING SYSTEMS

800-472-6703  
[www.ricelake.com](http://www.ricelake.com)

# Premier Solutions

## MSI-9300HT RF Digital Crane Scale

The MSI-9300HT (High Torque) crane scale combines an integrated weight display with advanced wireless data processing capability to deliver versatile solutions in overhead industrial weighing applications. The MSI-9300HT merges MSI's advanced CellScale technology with world-renowned crane scale designs providing local and remote control capabilities along with connectivity to plant information systems.

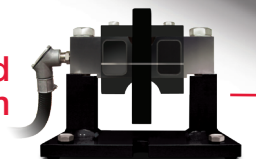
Integrated CellScale technology offers the ability to effectively monitor and control single or multiple crane scales from multiple locations throughout plant operations. Wireless, real-time transmission of weight and product information can be processed through a system-configured network of CellScale components from distances up to 1000 feet (300 m) with standard antennas. Operating range can be increased with optional long-range antennas that are configured with other networked CellScale components.

Both fixed and handheld digital weight indicators are available in addition to RF modems for wireless connectivity with peripheral computers and scoreboards. Optional 802.11b/g Ethernet connectivity is also supported for adaptation and integration with existing plant information systems.

The MSI-9300HT is specifically designed for heavy capacity coil handling applications where high torque conditions exist between the crane hook and the load. The fixed hook is compatible with power rotating hooks on applications up to 60 tons.



**G-Force™ - Patented  
Self-Checking Mounting system**



# s for Dense Material Weighing

## NTEP Certified RoughDeck® CS Coil Scale

Pack all the strength and substance of a SURVIVOR® truck scale into a floor scale and what do you get? The RoughDeck CS. The RoughDeck CS is made by Rice Lake for the challenge of weighing massive steel coils and other dense material. Choose a standard platform size or let Rice Lake help design a custom RoughDeck CS to your specifications.

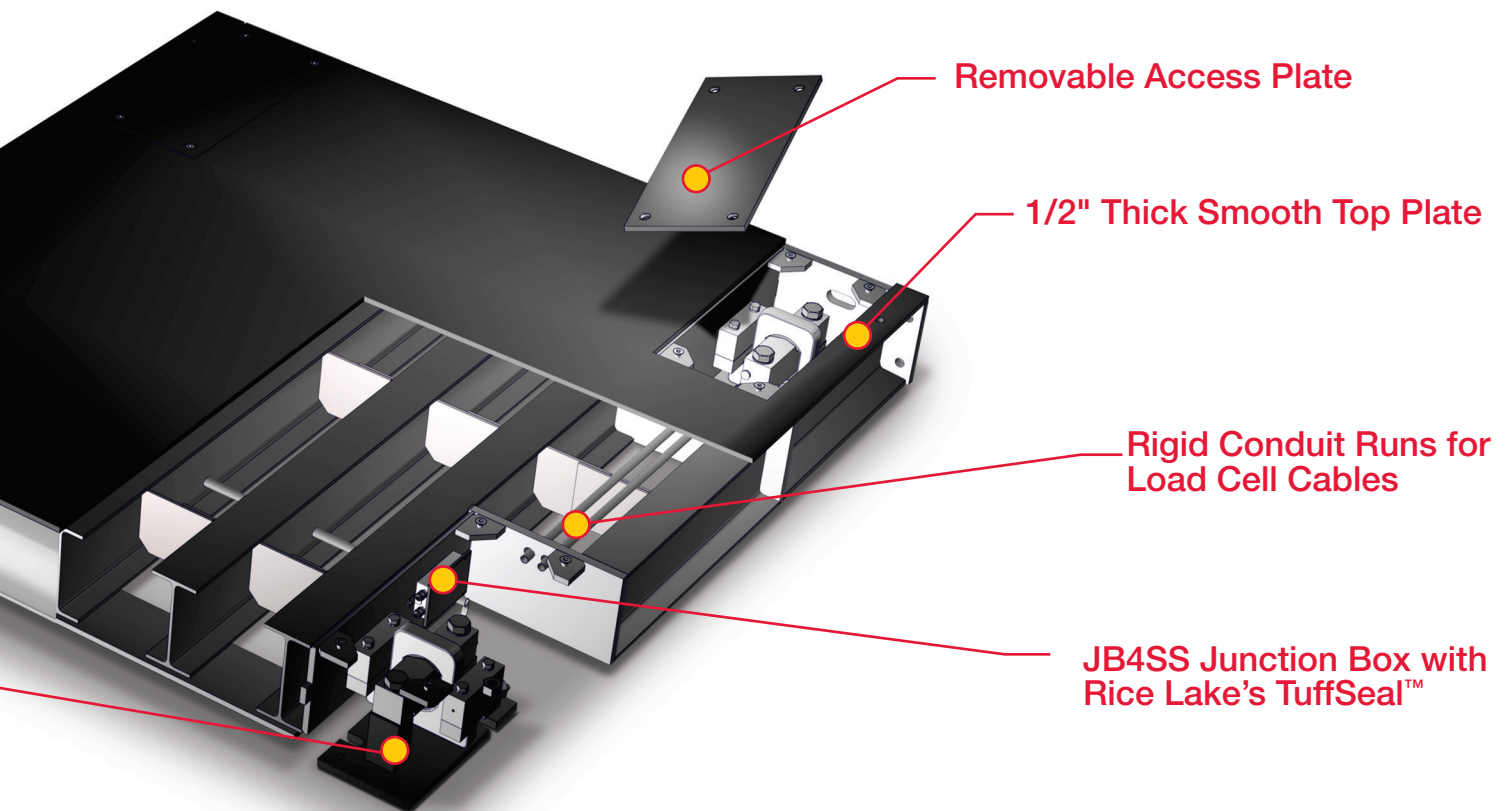
Steel handling is the ultimate test for industrial equipment. With tightly spaced steel I-beams, a half-inch thick top plate and the patented G-Force self-checking mounting system, the RoughDeck CS is the most solidly constructed scale on the market. When it comes to extreme conditions, the RoughDeck CS takes a punch and comes back for more, delivering accurate results, day after day.

The RoughDeck CS is Legal for Trade in capacities up to 100,000 pounds.

### Tailor-made tough

The world's toughest weighing jobs demand a scale like no other. For steel coils, castings, cable spools and more, see why RoughDeck CS is the first and only coil scale investment you'll ever make.

- Off the shelf or made to order
- Custom sizes and capacities
- Rail and track versions custom built to your specifications
- Above ground or pit mounted
- Specialty coil cradles and fixtures



# MSI-9300HT Port-A-Weigh Plus

RF DIGITAL CRANE SCALE

# RoughDeck® CS

COIL SCALE

## MSI-9300HT Port-A-Weigh Plus

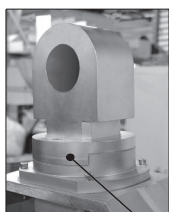
### Options and Accessories

- RF remote controller - includes on/off, zero, tare, net/gross, total, view sum and programmable function keys (typical range 50 ft / 15 m)
- Universal direct power supply; 85-265 VAC, 47-440 Hz / 130-300VDC
- Crosby or equivalent top shackle
- Oversized top lifting eye or shackle (for oversized crane hook interface)
- Low headroom adapter (for in-block installation)
- Anti-heat shielding (for high temperature mill and foundry applications)
- Ethernet 802.11 b/g connectivity

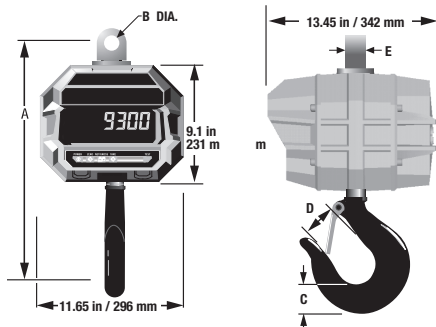
### Specifications

<b>Accuracy:</b>	±(0.1% +1 d) of capacity
<b>Resolution:</b>	3000 to 5000 d standard
<b>Enclosure:</b>	NEMA 4, IP66, marine grade 356 alloy anodized cast aluminum
<b>Lifting Eye, Shackle &amp; Hook:</b>	Shackle is optional and Crosby fixed hook provided as standard.
<b>Design Overload:</b>	200% Safe / 500% Ultimate (except where noted)
<b>Functions:</b>	POWER, ZERO, NET/GROSS, TARE and Programmable TEST/USER
<b>Display:</b>	Six-digit, 1.2 in (30 mm) LED with 14 feature annunciators and programmable brightness control
<b>Displayable Units:</b>	Pounds or kilograms selectable
<b>Power:</b>	12 Volt rechargeable battery, 115-230VAC battery charger included
<b>Operating Time:</b>	Up to 30 hours between charging with typical use
<b>Operating Temperature:</b>	-4°F to 158°F (-20°C to 70°C)
<b>Filtering:</b>	L0, Medium and HI selectable
<b>Radio Link:</b>	FHSS at 2.4 GHz (up to 64 network selections)
<b>Radio Effective Range:</b>	Typically 500 ft (150 m) indoor, 1000 ft (300 m) outdoor with standard antennas.

### MSI-9300HT Specifications and Dimensions



New top interface specifically designed to easily accommodate optional low headroom adapter



Note: Standard hook orientation shown. Please specify if alternate orientation is required.

### MSI-9300HT

Capacity	Resolution	Maximum Torque	A	B	C	D	E	Fixed Hook	Shipping Weight	Optional Top Shackle
30,000 lb	10 lb	560 ft/lb	23.5 in	1.69 in	3.00 in	3.19 in	2.25 in	22 ton alloy	135 lb	17 ton
15,000 kg	5 kg	759 Nm	596.9 mm	42.9 mm	76.2 mm	81.0 mm	57.2 mm		61 kg	
70,000 lb	20 lb	1,500 ft/lb	30.5 in	2.06 in	4.56 in	3.75 in	2.75 in	37 ton alloy	290 lb	40 ton
35,000 kg	10 kg	2,033 Nm	774.7 mm	52.0 mm	116.0 mm	95.0 mm	69.9 mm		132 kg	
120,000 lb	50 lb	4,000 ft/lb	39.25 in	2.31 in	6.00 in	4.12 in	3.13 in	60 ton alloy	550 lb	55 ton
55,000 kg	20 kg	5,400 Nm	997.0 mm	58.7 mm	152.4 mm	104.6 mm	79.5 mm		250 kg	

CONSULT FACTORY FOR HIGHER CAPACITIES – See MSI-9300HT specification sheet for applications that require fixed hooks and/or use with powered rotators. CR = Crosby or equivalent (Crosby is a registered trademark of The Crosby Group, LLC.)

## RoughDeck CS

### Standard Features

- NTEP Certified for scales sized 4 ft x 6 ft to 10 ft x 20 ft, capacities 25,000 lb to 100,000 lb
- Low profile, yet heavy duty
- Smooth top plate
- JB4SS Tuffseal® signal trim junction box conveniently tucked away and protected in one of the load cell pockets
- MVS self-checking mounting system
- Ease of installation and service with top access load cell pockets
- Black epoxy paint
- 20 ft SURVIVOR® EL147HE hostile environment load cell cable for connecting to an indicator

### Options

- Digital weight indicators
- Remote displays
- Printers
- Coil cradle



### Warranty

Five-year limited warranty on coil scale

### Approvals



NTEP Certified 11-068, Class III, 5,000d

Your Rice Lake Weighing Systems distributor is:

**RICE LAKE**  
WEIGHING SYSTEMS

230 W. Coleman St. • Rice Lake, WI 54868 • USA  
TEL: 715-234-9171 • FAX: 715-234-6967 • [www.ricelake.com](http://www.ricelake.com)

An ISO 9001 registered company © 2017 Rice Lake Weighing Systems PN 166313 11/17  
Specifications subject to change without notice.