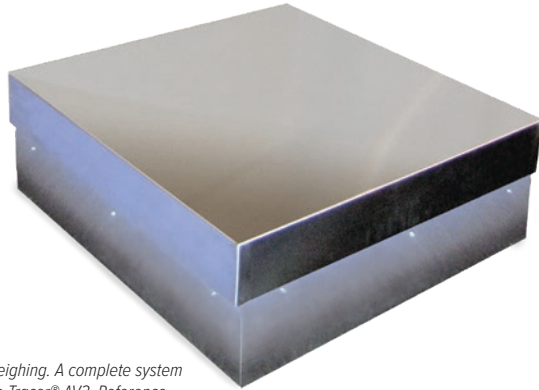


BenchMark® HD-2 Aviation

Heavy Duty Bench Scale

BENCH SCALES



✈ Ideal for aviation weighing. A complete system can be sold with the Tracer® AV2. Reference Aviation section for specifications.

Approvals



Measurement
Canada
Approved



Part Number/Price

Part #	Capacity	Platform Dimensions	Price
Consult	500 lb (225 kg)	W × D × 12 in	Consult

Note: Maximum size is up to 36in × 36in, height is always 12inW × D supplied by customer.

Standard Features

- Heavy-duty scale designed mild steel base construction with 304 stainless steel cover
- Polyurethane rubber leveling feet with stainless steel stems
- Load cell comes standard with DB-9 connector for connecting to Tracer AV2
- Three-sided kick plate

Specifications

Load Cell, NTEP Certified:

IP67 aluminum, environmentally sealed

Output Impedance:

350 ohm

Maximum Overload:

200%

Overload Protection:

Five-point, independently adjusted

Cable Length:

10 ft (3 m)

Compensated Temperature Range:

14 °F to 104 °F (-10 °C to 40 °C)

Warranty:

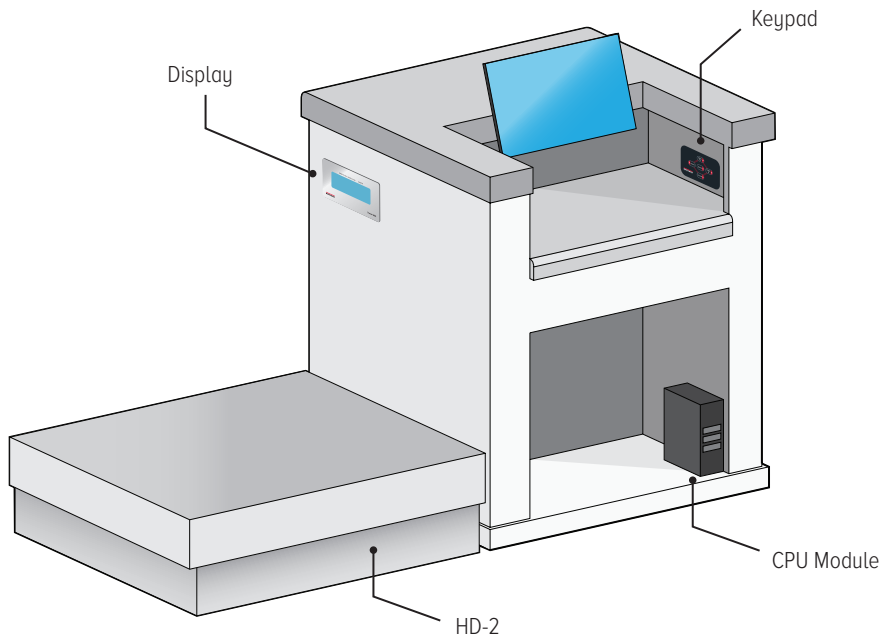
Two-year limited

Approvals:

NTEP CC 06-010, Class III 5,000 d

Measurement Canada AM-5625

Load cell is cFMus approved



Baggage weighing system with Benchmark HD-2 and Tracer AV2 Single LCD Panel Mount Display, Single keypad

BenchMark® HD-2 Aviation

Heavy Duty Bench Scale

BENCH SCALES

