

Junction Boxes/Simulators

iQUBE®

Digital Diagnostic Junction Box



APPROVALS



SPECIFICATIONS

iQUBE

ENCLOSURE:

NEMA 4X polycarbonate enclosure

VOLTAGE INPUT:

5.0-16VDC

LOAD CELL INPUTS:

8 (16 with networked board)

A/D SAMPLING RATE:

8 updates per load cell per second

TEMPERATURE RANGE:

14°F to 104°F (-10°C to 40°C)

LOAD CELL EXCITATION

VOLTAGE:

+ 4.00VDC

EXCITATION CURRENT

SUPPLY:

120mA maximum, short circuit protected

APPROVALS:

NTEP Certified, CC# 03-032

UL listed

Measurement Canada: AM-5561

WARRANTY:

Two-year limited warranty

DIGITAL TO ANALOG CONVERTER

OUTPUT:

0-30mV or 4-20mA

RESOLUTION:

16 bit

TEMPERATURE RANGE:

14°F to 104°F (-10°C to 40°C)

FIBER OPTIC TRANSCEIVER

VOLTAGE INPUT:

6-8VDC

SERIAL INPUT:

To 115 KBAUD

TRANSMITTER:

Red, visible

TRANSMISSION MEDIA:

1 mm plastic fiber 1.5 db/meter attenuation, duplex jacketed

Can be used as serial-to-serial fiber optic link

STANDARD FEATURES

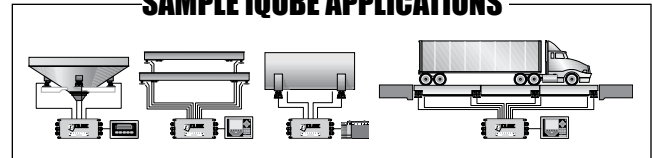
- 4-channel model, 8-channel model, and 8-channel model with 8 digital I/O
- PreVent® breather vent
- Multi-level transient protection
- 4-platforms and 16-cell summing capabilities (with networked board)
- Daisy chain up to 3 primary/secondary iQUBEs for multiple scale applications
- Cal-Match™ algorithm automatically trims and calibrates scale in one pass of test weights (stopping over each mount)
- Theoretical calibration allows you to enter factory sensitivity and capacity values to calibrate the scale without test weights
- Manual software trimming
- Load cell substitution supports cells of unmatched capacities
- Serial (RS-485) connectivity – full duplex
- Bi-color LEDs offer diagnostics capabilities by checking and illustrating load cell status in real time
- Cell-Emulator load cell algorithm compensates for excessive drift, A/D failures, connection errors, excitation voltage shifts, and more. It allows the scale to function properly until a permanent repair is available
- Configure with Revolution III™ or iRev™ software for use with 820i and 920i or analog devices.

Additional 820i/920i/Virtui indicator features:

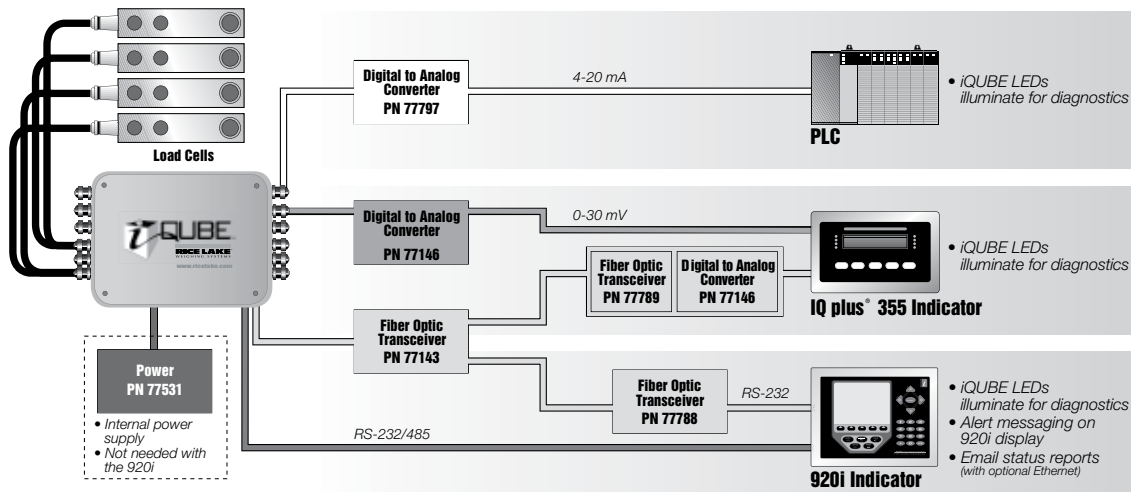
- Indicator alerts operators of potential errors. When combined with Ethernet option, the indicator initiates an e-mail message of error notification

Junction Boxes

SAMPLE IQUBE APPLICATIONS



SAMPLE CONFIGURATIONS*



* Not an actual system—illustrates connectivity