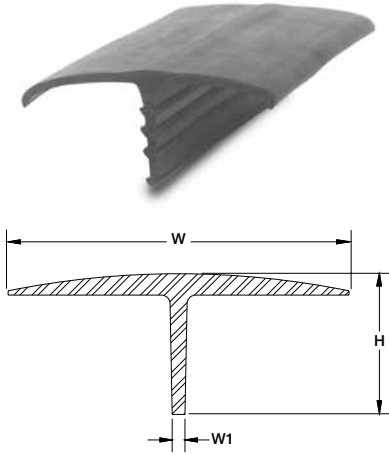


T-Grip/T-Strip Molding

T-Grip Molding



STANDARD FEATURES

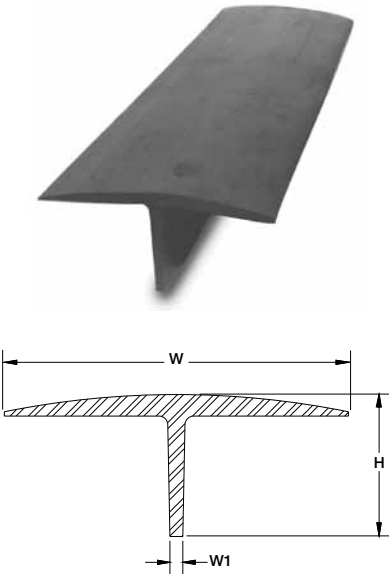
- Designed for use in truck scale applications to prevent spill-over into the pit
- Impact, tear, and weather-resistant EPDM rubber
- Barbed web to hold molding in place
- Web thickness .22 in (5.6 mm)
- Available by the foot or in 10.0 ft (3.1 m), 11.0 ft (3.4 m), 70.0 ft (21.34 m), 80.0 ft (24.4 m) and 100.0 ft (30.5 m) lengths. Maximum continuous length is 350 ft (30.5 m)

PART NUMBER/PRICE

PART #	H	W		W1		LENGTH	PRICE	
18799	2.56 in	65.0 mm	5.75 in	146.1 mm	0.22 in	5.6 mm	Sold by the foot	Consult
18800	2.56 in	65.0 mm	5.75 in	146.1 mm	0.22 in	5.6 mm	10 ft 3.05 m	Consult
18801	2.56 in	65.0 mm	5.75 in	146.1 mm	0.22 in	5.6 mm	11 ft 3.35 m	Consult
18802	2.56 in	65.0 mm	5.75 in	146.1 mm	0.22 in	5.6 mm	70 ft 21.34 m	Consult
33219	2.56 in	65.0 mm	5.75 in	146.1 mm	0.22 in	5.6 mm	80 ft 24.4 m	Consult
33222	2.56 in	65.0 mm	5.75 in	146.1 mm	0.22 in	5.6 mm	100 ft 30.5 m	Consult

*Maximum continuous length is 350' Call for price and availability

T-Strip Molding



STANDARD FEATURES

- Designed for use in truck scale applications to prevent spill-over into the pit
- Impact, tear, and weather-resistant SBR rubber
- Web thickness .25 in (6.4 mm)
- Available by the foot or in 10.0 ft (3.1 m), 11.0 ft (3.4 m), 70.0 ft (21.34 m), 80.0 ft (24.4 m) and 100.0 ft (30.5 m) lengths. Maximum continuous length is 350 ft (30.5 m)

PART NUMBER/PRICE

PART #	H	W		W1		LENGTH	PRICE	
18736	2.00 in	50.8 mm	4.50 in	114.3 mm	0.25 in	6.4 mm	Sold by the foot	Consult
18776	2.00 in	50.8 mm	4.50 in	114.3 mm	0.25 in	6.4 mm	10 ft/3.05 m	Consult
18797	2.00 in	50.8 mm	4.50 in	114.3 mm	0.25 in	6.4 mm	11 ft/3.35 m	Consult
18798	2.00 in	50.8 mm	4.50 in	114.3 mm	0.25 in	6.4 mm	70 ft/21.34 m	Consult
33223	2.00 in	50.8 mm	4.50 in	114.3 mm	0.25 in	6.4 mm	80 ft/24.4 m	Consult
33224	2.00 in	50.8 mm	4.50 in	114.3 mm	0.25 in	6.4 mm	100 ft/30.5 m	Consult

*Maximum continuous length is 350' Call for price and availability