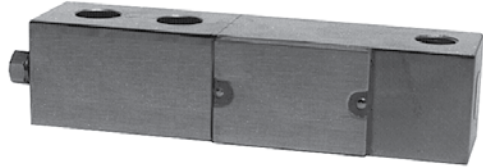
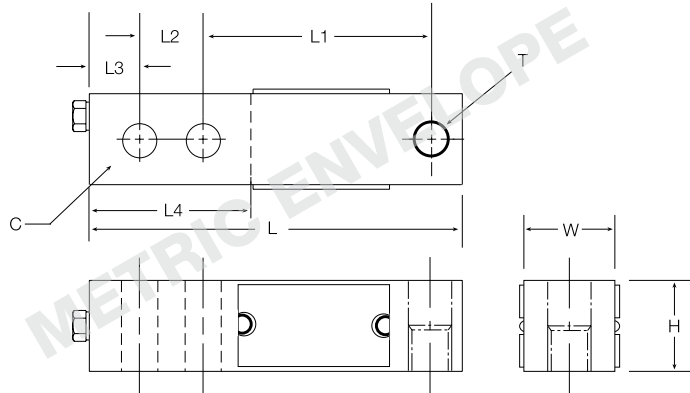


RLETB Single-Ended Beam, Alloy Steel

OIML C3, IP67



Picture is a representation of actual product



RATED CAPACITY	DIMENSIONS								
	C	H	L	L1	L2	L3	L4	W	T
kg/mm									
500-2000	57.0	32.0	130.0	76.0	25.0	16.0	13.0	32.0	M12 x 1.75-6H
5000	76.0	38.0	171.0	95.0	38.0	19.0	20.7	38.0	M20 x 1.5-6H
lb/inches									
1102.3-4409.2	2.25	1.25	5.12	3.00	.98	.63	.51	1.25	M12 x 1.75-6H
11,023.1	3.00	1.50	6.73	3.74	1.50	.75	.81	3.75	M20 x 1.5-6H

SPECIFICATIONS:

Full Scale Output:	3.0 mV/V	Insulation Resistance:	5000 megohms
Bridge Resistance:	350 ohms, nominal	Seal Type:	Environmentally-sealed, IP67
Material/Finish:	Alloy steel	Cable Length:	6 m/19.7'
Temperature:	Compensated range 14°F to 104°F/-10°C to 40°C	Cable Color Code:	Red + Excitation Black - Excitation Green + Signal White - Signal
Safe Overload:	150% Full scale	Warranty:	Two-year limited warranty
Rated Excitation:	10V DC (15V maximum)		
Combined Error:	0.03% Full scale		

RLETB ORDER INFORMATION

Load Rating	Part #	Price
500 kg (1102.5 lb)	31249.....	\$325.00
1000 kg (2205.0 lb)	31248.....	\$325.00
2000 kg (4410.0 lb)	31247.....	\$325.00
5000 kg (11,025.0 lb)	31246.....	\$405.00