

Compression Canisters



C2P1, Alloy Steel Page 174

Single-column design with low deflection and trouble-free operation. High-alloy steel, epoxy coated for use in harsh environments. Compact and rugged. NTEP certified capacities from 20,000 to 200,000 lb (9071.9 to 90,718.5 kg); non-NTEP capacity of 300,000 lb (136,078.1 kg). Integral 10'3.1 m or 35'10.7 m cable.



C3P1, Alloy Steel Page 175

Single-column, environmentally-protected design provides low deflection and trouble-free operation. High-alloy steel, epoxy coated for corrosion resistance. Compact and rugged. Capacities from 500 to 10,000 lb (226.8 to 4535.9 kg). Complete with 35'10.7 m of load cell cable.



Tension Canisters



T2P1, Alloy Steel Page 176

Single-column, environmentally-protected design provides low deflection and trouble-free operation. High-alloy steel, epoxy-coated construction yields trouble-free performance in harsh environments. Designed for high-capacity tension applications. Capacities of 20,000 and 50,000 lb (9071.9 and 22,679.6 kg). Integral 35'10.7 m cable.



T3P1, Alloy Steel Page 177

Single-column design provides low deflection and trouble-free operation. High-alloy steel, epoxy-coated construction yields trouble-free performance in harsh environments. Designed for high accuracy in light- to medium-capacity tension or compression applications. Capacities of 400 to 10,000 lb (226.87 to 3424.9 kg). Complete with 35'10.7 m of load cell cable.

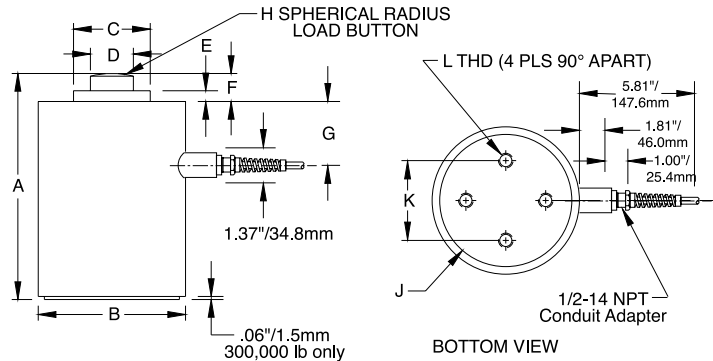


C2P1 Compression Canister, Alloy Steel

NTEP 1:4500 Class IIIL Multiple Cell, IP67



Picture is a representation of actual product



RATED CAPACITY	DIMENSIONS											
	A	B	C	D	E	F	G	H	J	K	L	
lb/inches												
20,000-50,000	7.50	4.50	2.25	1.25	.50	.75	2.50	6.00	—	2.38	3/8-24 UNF-2 X 3/8 DP	
100,000	9.13	6.00	3.13	1.75	.63	1.06	2.50	12.00	—	4.00	1/2-20 UNF-2B X 3/4 DP	
200,000	11.63	8.00	4.50	2.50	.63	1.06	3.50	12.00	—	5.50	5/8-18 UNF-2B X 1 DP	
300,000	14.00	10.00	5.00	3.00	.75	1.31	4.31	15.00	8.00	5.50	3/4-16 UNF-2B X 1 1/4 DP	
kg/mm												
9071.9-22,679.6	190.5	114.3	57.2	31.8	12.7	19.1	63.5	152.4	—	60.3	3/8-24 UNF-2 X 3/8 DP	
45,359.2	231.8	152.4	79.4	44.5	15.9	27.0	63.5	304.8	—	101.6	1/2-20 UNF-2B X 3/4 DP	
90,718.5	295.3	203.2	114.3	63.5	15.9	27.0	88.9	304.8	—	139.7	5/8-18 UNF-2B X 1 DP	
136,078.1	295.3	203.2	114.3	63.5	19.1	27.0	109.5	304.8	203.2	139.7	3/4-16 UNF-2B X 1 1/4 DP	

SPECIFICATIONS:

Full Scale Output: 2.0 mV/V
Bridge Resistance: 350 ohms, nominal
Material/Finish: High-alloy steel, epoxy coated
Temperature: Compensated range 14°F to 104°F/-10°C to 40°C
Seal Type: NEMA 6 Environmentally sealed, IP67
Safe Overload: 150% Full scale
Rated Excitation: 10V DC (20V maximum)
Nonlinearity: 0.03% Full scale
Hysteresis: 0.02% Full scale

Insulation Resistance: 5000 megohms
Deflection at Capacity: 20,000-30,000 lb = .0075"/.191 mm, 50,000 = .0065"/.165 mm, 100,000 lb = .0075"/.191 mm, 200,000 lb = .0070"/.178 mm, 300,000 lb = .012"/.305 mm
Cable Length: 10' or 35'/3.0 m or 10.7m, see below
Cable Color Code: Green..... + Excitation
 Black..... - Excitation
 White..... + Signal
 Red..... - Signal
 Yellow..... Shield
Warranty: One-year limited warranty

C2P1 ORDER INFORMATION

Load Rating	Part #	Price
NTEP 1:4500, 10 ft Cables		
20,000 lb (9071.9 kg)	21625	\$1,625.00
30,000 lb (13,607.8 kg)	21629	\$1,625.00
50,000 lb (22,679.6 kg)	21626	\$1,675.00
100,000 lb (45,359.2 kg)	21627	\$1,845.00
200,000 lb (90,718.5 kg)	21628	\$2,895.00

NTEP 1:4500, 35 ft Cables		
20,000 lb (9071.9 kg)	21630	\$1,705.00
30,000 lb (13,607.8 kg)	21631	\$1,705.00
50,000 lb (22,679.6 kg)	21632	\$1,810.00
100,000 lb (45,359.2 kg)	21633	\$1,940.00
200,000 lb (90,718.5 kg)	21634	\$2,995.00

C2P1 ORDER INFORMATION

Load Rating	Part #	Price
Non-NTEP, 10 ft Cables		
300,000 lb (13,6078.1 kg)	17670	\$4,795.00

Non-NTEP, 35 ft Cables		
300,000 lb (136,078.1 kg)	17671	\$4,895.00

INTERCHANGEABLE PRODUCTS

Manufacturer	Model
Fairbanks®	3-38065-X, 3-38066-X
HBM	C10
Streeter Richardson	2011611, 2011612
Streeter Richardson	2011613, 2011614, 2011617
Mettler-Toledo®	10049200A, 10014900A
Mettler-Toledo®	10011900A, 10049300A

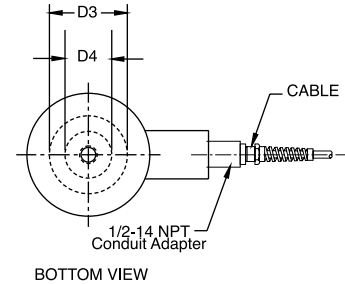
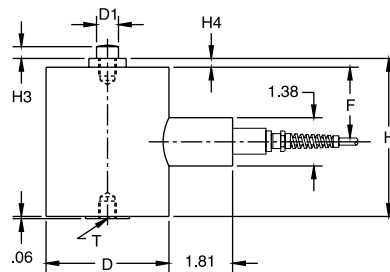
BLH, Inc.

C3P1 Compression Canister, Alloy Steel, IP67



Picture is a representation of actual product

HOLES CAN BE DRILLED WITHIN THIS AREA TO RECEIVE LOCKING SCREWS. MAX. DEPTH OF HOLES IS "L" DIM.



RATED CAPACITY	DIMENSIONS				DIMENSIONS						
	D	D1	D3	D4	F	H	H3	H4	L	T	
lb/inches											
500-3000	3.50	.62	1.25	—	2.25	4.56	.38	.25	—	1/2-20 UNF-2B X .50 DP	
5000-10,000	3.50	1.06	2.50	1.75	2.66	5.94	.62	.38	.50	1-14 UNS-2B X 1.25 DP	
kg/mm											
226.8-1360.8	88.9	15.7	31.8	—	57.2	115.8	9.5	6.4	—	1/2-20 UNF-2B X .50 DP	
2268.0-4535.9	88.9	27.0	63.5	44.5	67.6	150.9	15.7	9.7	12.7	1-14 UNS-2B X 1.25 DP	

SPECIFICATIONS:

Full Scale Output: 3.0 mV/V
Bridge Resistance: 350 ohms, nominal
Material/Finish: High-alloy steel, epoxy coated
Temperature: Compensated range 0°F to 150°F/-17°C to 65°C
Safe Overload: 150% Full scale
Rated Excitation: 10V DC (20V maximum)
Nonlinearity: 0.05% Full scale
Hysteresis: 500 lb = 0.05% Full scale
 1000-10,000 lb = 0.02% Full scale

Insulation Resistance: 5000 megohms
Deflection at Capacity: 500 lb = .007"/.18 mm, 1000 lb = .006"/.15 mm, 2000-3000 lb = .005"/.13 mm, 5000 lb = .007"/.18 mm, 10,000 lb = .005"/.13 mm
Seal Type: NEMA 6 Environmentally-sealed, IP67
Cable Length: 35'/10.7 m
Cable Color Code: Green..... + Excitation
 Black..... - Excitation
 White..... + Signal
 Red..... - Signal
 Yellow..... Shield
Warranty: One-year limited warranty

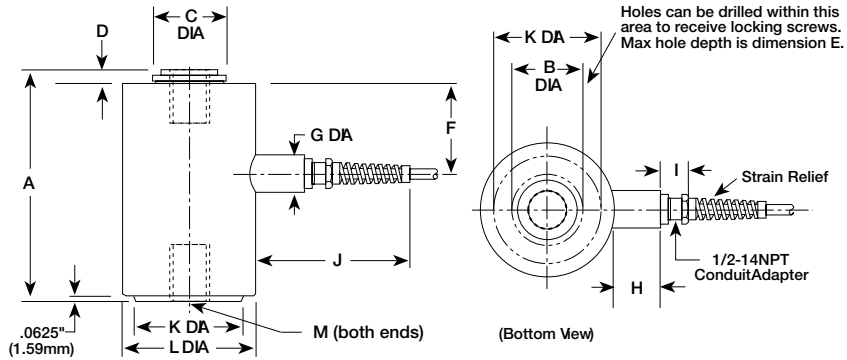
C3P1 ORDER INFORMATION

Load Rating	Part #	Price
500 lb (226.8 kg)	17672	\$1,850.00
1000 lb (453.6 kg)	17673	\$1,850.00
2000 lb (907.2 kg)	17674	\$1,850.00
3000 lb (1360.8 kg)	17675	\$1,850.00
5000 lb (2268.0 kg)	17676	\$1,950.00
10,000 lb (4535.9 kg)	17677	\$1,950.00

INTERCHANGEABLE PRODUCTS

Manufacturer	Model
Fairbanks®	3-38054-X
Mettler-Toledo®	1004400A, KN713700
Mettler-Toledo®	KB200570, 10049100A

T2P1 Tension Canister, Alloy Steel



Picture is a representation of actual product

RATED CAPACITY	DIMENSIONS													
	A	B	C	D	E	F	G	H	I	J	K	L	M	
lb/inches														
20,000	8.50	2.63	2.75	.50	1.00	3.38	1.38	1.81	1.00	5.81	4.00	5.00	1 1/2-12 UNF-2B x 2DP	
50,000	11.44	3.75	4.00	.63	1.00	5.00	1.38	1.81	1.00	5.81	5.75	6.50	2-12UNF-2B x 2.63DP	
kg/mm														
9071.9	215.9	66.8	69.9	12.7	25.4	85.9	35.1	46.0	25.4	147.6	101.6	127.0	1 1/2-12 UNF-2B x 50.8DP	
22,679.7	290.6	95.3	101.6	16.0	25.4	127.0	35.1	46.0	25.4	147.6	146.1	165.1	2-12 UNF-2B x 66.7DP	

SPECIFICATIONS:

Full Scale Output:	2.0 mV/V	Insulation Resistance:	5000 megohms
Bridge Resistance:	350 ohms, nominal	Deflection at Capacity:	20,000 lb = .0075"/.191 mm, 50,000 lb = .0100"/.254 mm
Material/Finish:	High-alloy steel, epoxy coated	Cable Length:	35'/10.7 m
Temperature:	Compensated range 0°F to 150°F/-17°C to 65°C	Cable Color Code:	Green..... + Excitation Black..... - Excitation White..... + Signal Red..... - Signal Yellow..... Shield
Seal Type:	Environmentally sealed	Warranty:	1-year limited warranty
Safe Overload:	150% Full scale		
Rated Excitation:	10V AC/DC (20V maximum)		
Combined Error:	±0.03% Full scale		
Repeatability:	0.02% Full scale		

T2P1 ORDER INFORMATION

Load Rating	Part #	Price
20,000 lb (9071.9 kg)	17660	\$2,850.00
50,000 lb (22,679.6 kg)	17661	\$2,950.00

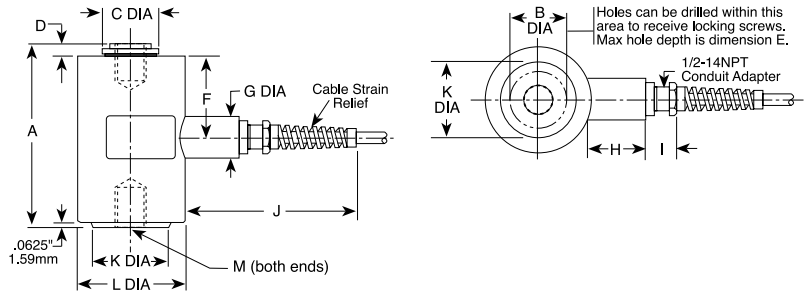
INTERCHANGEABLE PRODUCTS

Manufacturer	Model
Fairbanks®	657090, 657091
Streeter Richardson	2011711, 2011712

T3P1 Tension Canister, Alloy Steel



Picture is a representation of actual product



RATED CAPACITY	DIMENSIONS													
	A	B	C	D	E	F	G	H	I	J	K	L	M	
lb/inches														
500-3000	4.56	—	1.06	.25	—	2.25	1.38	1.81	1.00	5.81	1.25	3.50	1/2-20 UNF-2B x .5 DP	
5000-10,000	5.93	1.75	1.87	.38	.50	2.66	1.38	1.81	1.00	5.81	2.50	3.50	1-14 UNS-2B x 1.25 DP	
kg/mm														
226.8-1360.8	115.8	—	26.9	6.4	—	57.2	35.1	46.0	25.4	147.6	31.8	88.9	1/2-20 UNF-2B x 12.7DP	
2268.0-4535.9	150.6	44.4	47.5	9.7	12.7	67.6	35.1	46.0	25.4	147.6	63.5	88.9	1-14 UNS-2B x 31.8DP	

SPECIFICATIONS:

Full Scale Output:	3.0 mV/V	Insulation Resistance:	5000 megohms
Bridge Resistance:	350 ohms, nominal	Deflection at Capacity:	500 lb = .007"/.18 mm, 1000 lb = .006"/.15 mm, 2000-3000 lb = .005"/.13 mm, 5000 lb = .007"/.18 mm, 10,000 lb = .005"/.13 mm
Material/Finish:	High-alloy steel, epoxy coated	Cable Length:	35'/10.7 m
Temperature:	Compensated range 0°F to 150°F/-17°C to 65°C	Cable Color Code:	Green..... + Excitation Black..... - Excitation White..... + Signal Red..... - Signal Yellow..... Shield
Seal Type:	Environmentally-sealed	Warranty:	1-year limited warranty
Safe Overload:	150% Full scale		
Rated Excitation:	10V AC/DC (20V maximum)		
Nonlinearity:	0.05% Full scale		
Hysteresis:	0.05% Full scale (500 lb) 0.02% Full scale (1000-10,000 lb)		

T3P1 ORDER INFORMATION

Load Rating	Part #	Price
500 lb (226.8 kg)	17654	\$1,850.00
1000 lb (453.6 kg)	17655	\$1,850.00
2000 lb (907.2 kg)	17656	\$1,850.00
3000 lb (1360.8 kg)	17657	\$1,850.00
5000 lb (2268.0 kg)	17658	\$1,950.00
10,000 lb (4535.9 kg)	17659	\$1,950.00

INTERCHANGEABLE PRODUCTS

Manufacturer	Model
Fairbanks®	3-39897-X, 3-40766-X
Streeter Richardson	20117XX
Mettler-Toledo®	10048X00A, KN75066