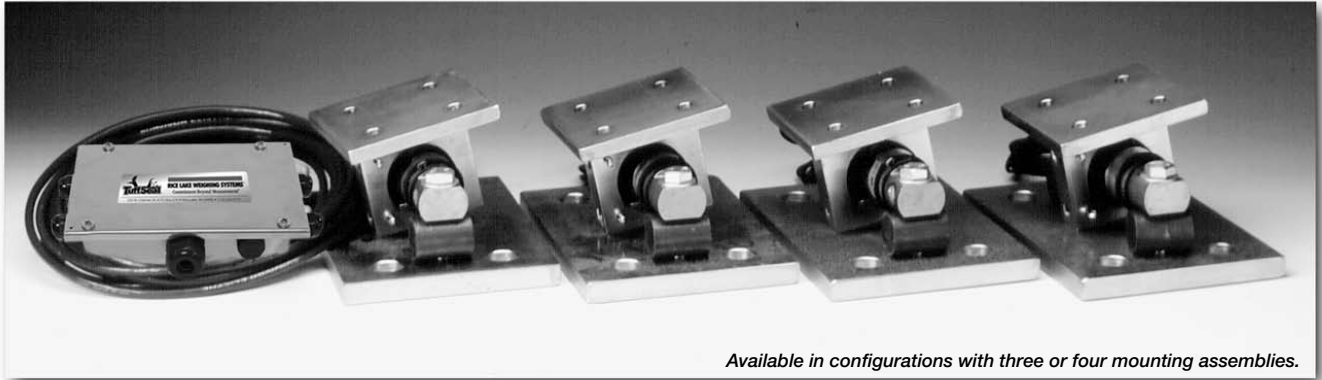


# Weigh Modules • Tank and Hopper Kits

## EZ Mount 1 Mild Steel, Rice Lake Weighing Systems/Revere Transducers



Available in configurations with three or four mounting assemblies.

Picture is a representation of actual product

Weigh Modules

The EZ Mount 1 Series weigh modules utilize the double-ended beam design with an articulating top plate to provide superior accuracy in any loading condition.

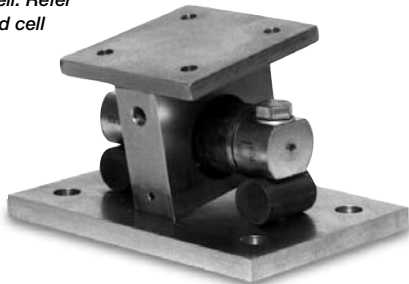
The double-ended beam design means there is less cumbersome hardware and each module has a lower profile than modules of different configurations.

NTEP-certified and FM approved RL70000 Series load cells give you accuracy and dependability in many applications, including intrinsically safe and explosion proof areas.

Load Cell Certifications:



Module with RL70000 double-ended shear beam load cell. Refer to page 135 for load cell specifications.



### Complete Kit Includes:

- 1 JB4SS NEMA 4X stainless steel signal trim junction box
- 3 or 4 EZ Mount 1 mild steel compression mounts
- 3 or 4 RL70000 double-ended shear beam load cells (see page 135)
- 25' of our Hostile Environment EL147HE SURVIVOR® load cell cable

### APPLICATIONS:

- Medium- to heavy-capacity tank and hopper weighing applications

### STANDARD FEATURES:

- Capacities (per module): 5000-250,000 lb (2268-113,398.1 kg)
- NTEP-certified load cells
- Unique sliding pin design compensates for thermal expansion/contraction
- Self-checking
- Easy load cell replacement
- Simplified design allows bolting directly to tank and floor
- Center-loaded double-ended shear beam design
- Low-profile design
- Painted mild steel construction

### OPTIONAL FEATURES:

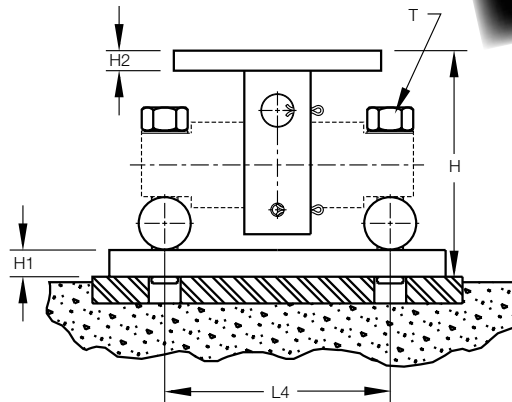
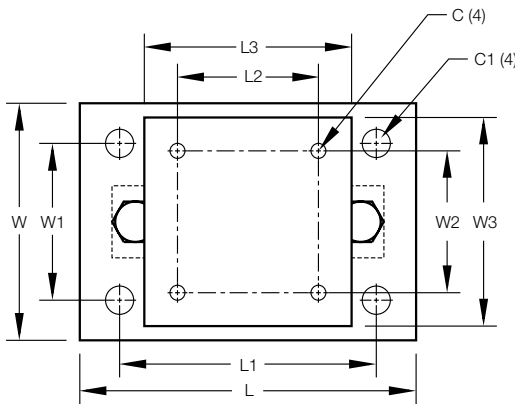
- Kits available with Revere Transducers 5103 load cell, capacities in 5000-150,000 lb (2268.0-68,039.0 kg)

[www.ricelake.com/loadcells](http://www.ricelake.com/loadcells)

USA: 800-472-6703 • CANADA/MEXICO: 800-321-6703 • INTERNATIONAL: 715-234-9171

# Mild Steel EZ Mount 1 Specifications

**Complete Kit!  
Compare  
& Save!**



RATED CAPACITY	DIMENSIONS														
	C	C1	H	H1	H2	L	L1	L2	L3	L4	T	W	W1	W2	W3
<b>lb/inches</b>															
5000-20,000	.56	1.06	5.31	.75	.50	11.00	8.00	3.00	6.00	6.87	5/8-18 UNF	7.50	4.00	3.00	6.00
30,000-60,000	.68	1.19	8.43	1.00	.75	15.00	11.50	5.12	8.00	8.50	1-14 UNS	10.00	6.00	5.12	8.00
100,000	.81	1.38	10.37	1.25	1.25	18.00	14.00	7.50	10.00	9.50	1-14 UNS	12.00	9.00	7.50	10.00
150,000	.81	1.38	10.37	1.25	1.25	18.00	14.00	7.50	10.00	9.50	1-14 UNS	12.00	9.00	7.50	10.00
200,000-250,000	1.06	1.88	16.75	2.00	2.00	26.00	20.00	9.00	12.00	13.00	1 1/2-12 UNS	12.00	6.00	9.00	12.00
<b>kg/mm</b>															
2268.0-9071.9	14.2	26.9	134.9	19.1	12.7	279.4	203.2	76.2	139.7	174.5	5/8-18 UNF	190.5	101.6	76.2	139.7
13,607.8-27,215.5	17.3	30.2	214.1	25.4	19.1	381.0	292.1	130.0	203.2	215.9	1-14 UNS	254.0	152.4	130.1	203.2
45,359.2	20.6	35.1	263.4	31.8	31.8	457.2	355.6	190.5	254.0	241.3	1-14 UNS	304.8	228.6	190.5	254.0
68,039.0	20.6	35.1	263.4	31.8	31.8	457.2	355.6	190.5	254.0	241.3	1-14 UNS	304.8	228.6	190.5	254.0
90,718.5-113,398.1	26.9	47.8	425.5	50.8	50.8	660.4	508.0	228.6	304.8	330.2	1 1/2-12 UNS	304.8	152.4	228.6	304.8

NOTES: • Mounting bolts (T) may project on lower side of base plate • Foundation plate not included

## EZ MOUNT 1 MILD STEEL ORDER INFORMATION

Load Rating (Per Module)	Part #	Price
<b>Single Module (Does NOT include Load Cell)</b>		
5000 lb (2268.0 kg)	17823	\$295.00
30,000-60,000 lb (13,607.8-27,215.5 kg)	17824	\$795.00
100,000 lb (45,359.2 kg)	17850	\$1,095.00
150,000 lb (68,039.0 kg)	29012	\$1,095.00
200,000-250,000 lb (90,718.7-113,398.4 kg)	26068	\$2,095.00
<b>3-Module Kit</b>		
5000 lb (2268.0 kg)	18163	\$2,875.00
10,000 lb (4535.9 kg)	18164	\$2,875.00
20,000 lb (9071.9 kg)	18165	\$2,875.00
30,000 lb (13,607.8 kg)	32164	\$4,545.00
40,000 lb (18,143.7 kg)	32167	\$4,545.00
50,000 lb (22,679.6 kg)	18166	\$4,545.00
60,000 lb (27,215.5 kg)	18167	\$4,545.00
100,000 lb (45,359.2 kg)	18168	\$7,395.00
150,000 lb (68,040 kg)	43290	\$7,395.00
<b>4-Module Kit</b>		
5000 lb (2268.0 kg)	18169	\$3,735.00
10,000 lb (4535.9 kg)	18170	\$3,735.00
20,000 lb (9071.9 kg)	18171	\$3,735.00
30,000 lb (13,607.8 kg)	32165	\$5,765.00
40,000 lb (18,143.7 kg)	32166	\$5,765.00
50,000 lb (22,679.6 kg)	18172	\$5,765.00
60,000 lb (27,215.5 kg)	18173	\$5,765.00
100,000 lb (45,359.2 kg)	18174	\$9,665.00
150,000 lb (68,040 kg)	43291	\$9,665.00

## RTI EZ MOUNT 1 MILD STEEL ORDER INFORMATION

Load Rating (Per Module)	Part #	Price
<b>3-Module Kit</b>		
5000 lb (2268.0 kg)	18175	\$2,975.00
10,000 lb (4535.9 kg)	18176	\$2,975.00
20,000 lb (9071.9 kg)	18177	\$2,975.00
30,000 lb (13,607.8 kg)	32169	\$4,645.00
40,000 lb (18,143.7 kg)	32171	\$4,645.00
50,000 lb (22,679.6 kg)	18178	\$4,795.00
60,000 lb (27,215.5 kg)	18179	\$4,795.00
100,000 lb (45,359.2 kg)	18180	\$7,495.00
150,000 lb (68,039.0 kg)	18181	\$7,495.00
<b>4-Module Kit</b>		
5000 lb (2268.0 kg)	18182	\$3,835.00
10,000 lb (4535.9 kg)	18183	\$3,835.00
20,000 lb (9071.9 kg)	18184	\$3,835.00
30,000 lb (13,607.8 kg)	32170	\$5,865.00
40,000 lb (18,143.7 kg)	32172	\$5,865.00
50,000 lb (22,679.6 kg)	18185	\$6,035.00
60,000 lb (27,215.5 kg)	18186	\$6,035.00
100,000 lb (45,359.2 kg)	18187	\$9,765.00
150,000 lb (68,039.0 kg)	18188	\$9,765.00
<b>Dummy Load Cells</b>		
5000-20,000 lb	33749	\$75.00
30,000-60,000 lb	74016	\$95.00
100,000 lb	94175	\$150.00

www.ricelake.com

USA: 800-472-6703 • CANADA/MEXICO: 800-321-6703 • INTERNATIONAL: 715-234-9171

© 2008 Rice Lake Weighing Systems • November 15, 2008 • Prices and specifications subject to change without notice. Visit ricelake.com for current prices.