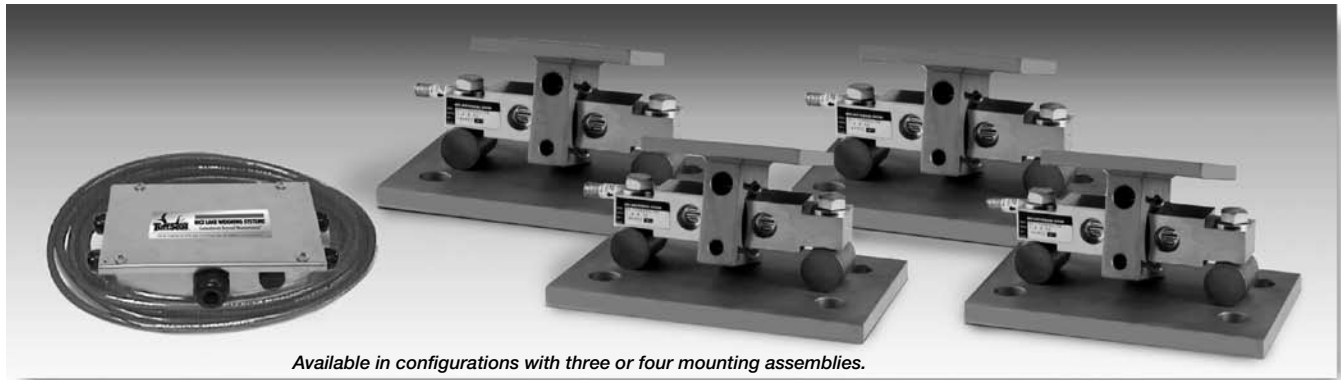


Weigh Modules • Tank and Hopper Kits

EZ Mount 1 HE Stainless Steel, Hermetically-sealed, Rice Lake Weighing Systems



Available in configurations with three or four mounting assemblies.

Picture is a representation of actual product

Weigh Modules

The EZ Mount 1 HE Series weigh modules utilize the double-ended beam design with an articulating top plate to provide superior accuracy in any loading condition.

The double-ended beam design means there is less cumbersome hardware and each module has a lower profile than modules of different configurations.

The RL71000 HE Series load cells give you accuracy and dependability in any environment.

Their stainless steel, hermetically-sealed design also make them the ideal solution in harsh environments where moisture is present.

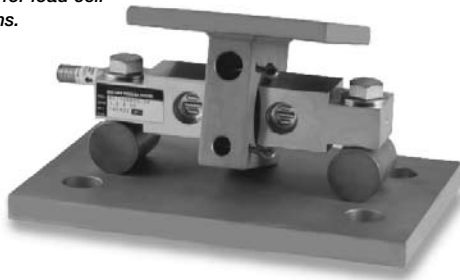
Not for use in intrinsically safe areas

Load Cell Certifications:



Consult factory for FM instrumentation assistance

Module with RL71000 HE double-ended shear beam load cell. Refer to page 137 for load cell specifications.



Complete Kit Includes:

- 1 JB4SS NEMA 4X stainless steel signal trim junction box
- 3 or 4 EZ Mount 1 stainless steel compression mounts
- 3 or 4 RL71000 HE hermetically-sealed stainless steel double-ended shear beam load cells (see page 137)
- 25' of our Hostile Environment EL147HE SURVIVOR® load cell cable

APPLICATIONS:

- Medium- to heavy-capacity tank and hopper weighing applications

STANDARD FEATURES:

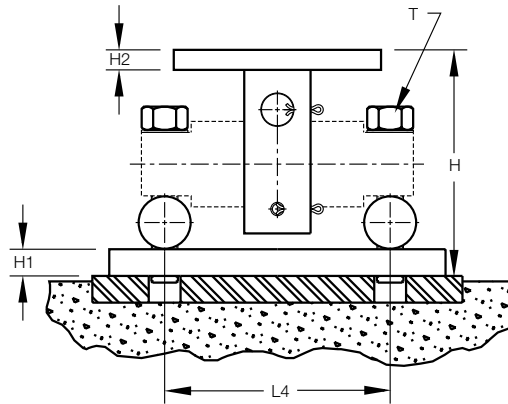
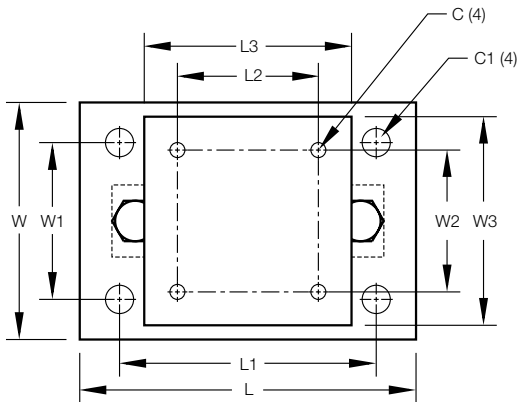
- Capacities (per module): 5000-60,000 lb (2268-27,216.0 kg)
- Unique sliding pin design compensates for thermal expansion/contraction
- Self-checking
- Easy load cell replacement
- Simplified design allows bolting directly to tank and floor
- Center-loaded, double-ended shear beam design
- Low-profile design
- 304 stainless steel construction

www.ricelake.com/loadcells

USA: 800-472-6703 • CANADA/MEXICO: 800-321-6703 • INTERNATIONAL: 715-234-9171

Stainless Steel, Hermetically-Sealed, EZ Mount 1 HE

**Complete Kit!
Compare
& Save!**



RATED CAPACITY	DIMENSIONS															
	C	C1	H	H1	H2	L	L1	L2	L3	L4	T	W	W1	W2	W3	
lb/inches																
5000-20,000	.56	1.06	5.31	.75	.50	11.00	8.00	3.00	6.00	6.87	5/8-18 UNF	7.50	4.00	3.00	6.00	
30,000-60,000	.68	1.19	8.43	1.00	.75	15.00	11.50	5.12	8.00	8.50	1-14 UNS	10.00	6.00	5.12	8.00	
kg/mm																
2268.0-9071.9	14.2	26.9	134.9	19.1	12.7	279.4	203.2	76.2	139.7	174.5	5/8-18 UNF	190.5	101.6	76.2	139.7	
13,607.8-27,215.5	17.3	30.2	214.1	25.4	19.1	381.0	292.1	130.0	203.2	215.9	1-14 UNS	254.0	152.4	130.1	203.2	

NOTES: • Mounting bolts (T) may project on lower side of base plate • Foundation plate not included

EZ HE MOUNT 1 STAINLESS STEEL ORDER INFORMATION

Load Rating (Per Module)	Part #	Price
3-Module Kit		
5000 lb (2268.0 kg)	46695	\$5,595.00
10,000 lb (4535.9 kg)	46696	\$5,595.00
20,000 lb (9071.9 kg)	46697	\$5,595.00
30,000 lb (13,607.8 kg)	46698	\$9,295.00
40,000 lb (18,143.7 kg)	46699	\$9,295.00
50,000 lb (22,679.6 kg)	46700	\$9,295.00
60,000 lb (27,215.5 kg)	46701	\$9,295.00
4-Module Kit		
5000 lb (2268.0 kg)	46702	\$7,495.00
10,000 lb (4535.9 kg)	46703	\$7,495.00
20,000 lb (9071.9 kg)	46704	\$7,495.00
30,000 lb (13,607.8 kg)	46705	\$12,695.00
40,000 lb (18,143.7 kg)	46706	\$12,695.00
50,000 lb (22,679.6 kg)	46707	\$12,695.00
60,000 lb (27,215.5 kg)	46708	\$12,695.00
Dummy Load Cells (Mild Steel)		
5000-20,000 lb		
(2268.0-9071.9 kg)	33749	\$75.00
30,000-60,000 lb		
(13,607.8-27,215.5 kg)	74016	\$95.00

www.ricelake.com

USA: 800-472-6703 • CANADA/MEXICO: 800-321-6703 • INTERNATIONAL: 715-234-9171

© 2008 Rice Lake Weighing Systems • November 15, 2008 • Prices and specifications subject to change without notice. Visit ricelake.com for current prices.