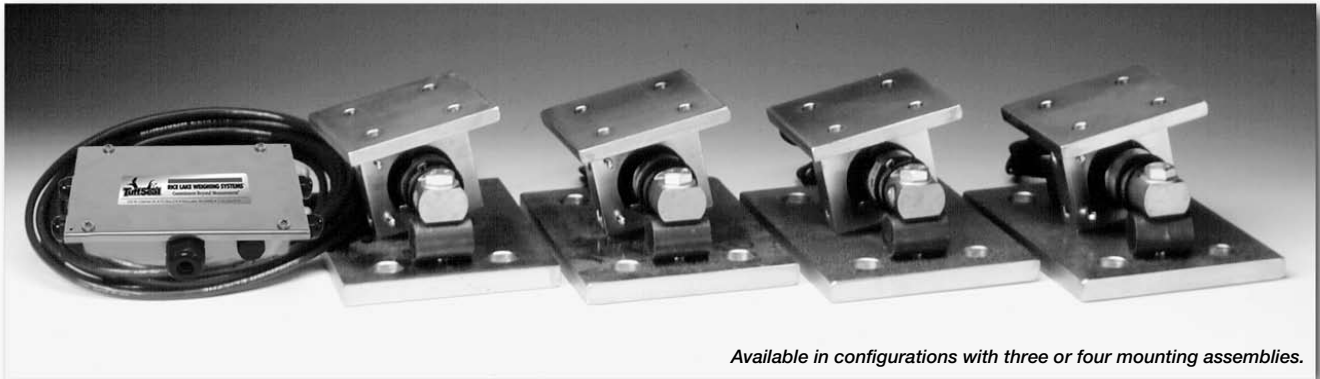


# Weigh Modules • Tank and Hopper Kits

Color Literature Available by Request

## EZ Mount 1 Stainless Steel, Rice Lake Weighing Systems



Available in configurations with three or four mounting assemblies.

Picture is a representation of actual product

The EZ Mount 1 Series weigh modules utilize the double-ended beam design with an articulating top plate to provide superior accuracy in any loading condition.

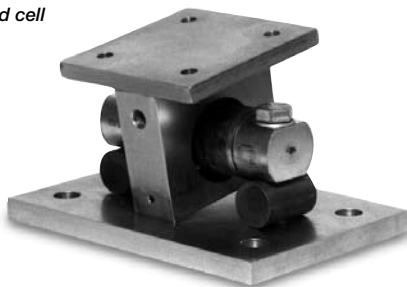
The double-ended beam design means there is less cumbersome hardware and each module has a lower profile than modules of different configurations.

FM approved RL70000 SS Series load cells give you accuracy and dependability in many applications, including intrinsically safe and explosion proof areas.

Load Cell Certifications:



Module with RL70000 SS double-ended shear beam load cell. Refer to page 136 for load cell specifications.



### Complete Kit Includes:

- 1 JB4SS NEMA 4X stainless steel signal trim junction box
- 3 or 4 EZ Mount 1 stainless steel compression mounts
- 3 or 4 RL70000 SS stainless steel double-ended shear beam load cells (see page 136)
- 25' of our Hostile Environment EL147HE SURVIVOR® load cell cable

### APPLICATIONS:

- Medium- to heavy-capacity tank and hopper weighing applications

### STANDARD FEATURES:

- Capacities (per module): 5000-150,000 lb (2268-60,039.0 kg)
- Unique sliding pin design compensates for thermal expansion/contraction
- Self-checking
- Easy load cell replacement
- Simplified design allows bolting directly to tank and floor
- Center-loaded double-ended shear beam design
- Low-profile design
- 304 stainless steel construction

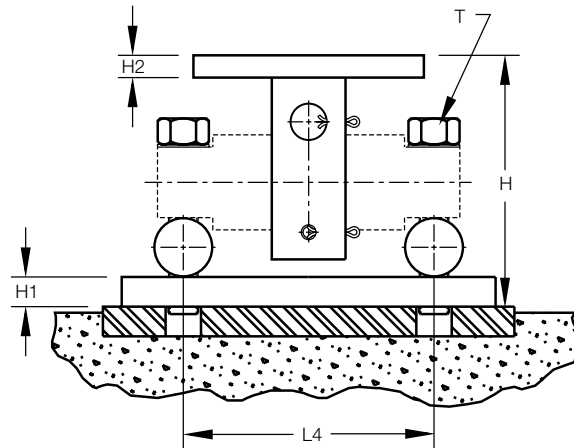
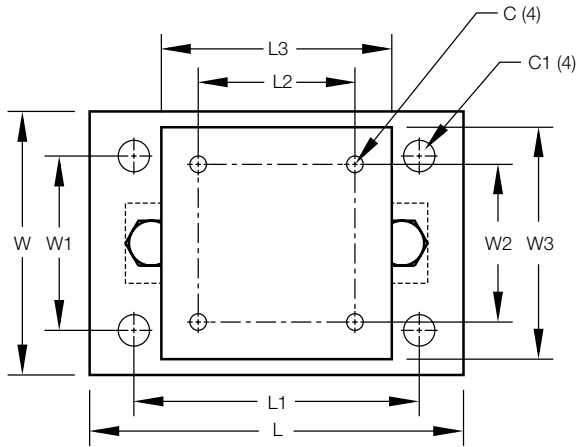
### OPTIONAL FEATURES:

- Kits available with Revere Transducers 9103 load cell, capacities in 5000-150,000 lb (2268.0-68,039.0 kg)

# Stainless Steel EZ Mount 1 Specifications

**Complete Kit!  
Compare  
& Save!**

Weigh Modules



RATED CAPACITY	DIMENSIONS														
	C	C1	H	H1	H2	L	L1	L2	L3	L4	T	W	W1	W2	W3
<b>lb/inches</b>															
5000-20,000	.56	1.06	5.31	.75	.50	11.00	8.00	3.00	6.00	6.87	5/8-18 UNF	7.50	4.00	3.00	6.00
30,000-60,000	.68	1.19	8.43	1.00	.75	15.00	11.50	5.12	8.00	8.50	1-14 UNS	10.00	6.00	5.12	8.00
100,000	.81	1.38	10.37	1.25	1.25	18.00	14.00	7.50	10.00	9.50	1-14 UNS	12.00	9.00	7.50	10.00
150,000	.81	1.38	10.37	1.25	1.25	18.00	14.00	7.50	10.00	9.50	1-14 UNS	12.00	9.00	7.50	10.00
<b>kg/mm</b>															
2268.0-9071.9	14.2	26.9	134.9	19.1	12.7	279.4	203.2	76.2	139.7	174.5	5/8-18 UNF	190.5	101.6	76.2	139.7
13,607.8-27,215.5	17.3	30.2	214.1	25.4	19.1	381.0	292.1	130.0	203.2	215.9	1-14 UNS	254.0	152.4	130.1	203.2
45,359.2	20.6	35.1	263.4	31.8	31.8	457.2	355.6	190.5	254.0	241.3	1-14 UNS	304.8	228.6	190.5	254.0
68,039.0	20.6	35.1	263.4	31.8	31.8	457.2	355.6	190.5	254.0	241.3	1-14 UNS	304.8	228.6	190.5	254.0

NOTES: • Mounting bolts (T) may project on lower side of base plate • Foundation plate not included

## EZ MOUNT 1 STAINLESS STEEL ORDER INFORMATION

Load Rating (per module)	Part #	Price
<b>Single Module (Does NOT Include Load Cell)</b>		
5000-20,000 lb (2268.0-9071.9 kg)	17943	\$725.00
30,000-60,000 lb (13,607.8-27,215.5 kg)	17944	\$1,995.00
100,000 lb (45,359.2 kg)	17945	\$3,695.00
150,000 lb (68,039.0 kg)	29011	\$3,695.00
<b>3-Module Kit</b>		
5000 lb (2268.0 kg)	36195	\$4,325.00
10,000 lb (4535.9 kg)	36196	\$4,325.00
20,000 lb (9071.9 kg)	36197	\$4,325.00
30,000 lb (13,607.8 kg)	36198	\$8,295.00
40,000 lb (18,143.7 kg)	36199	\$8,295.00
50,000 lb (22,679.6 kg)	36200	\$8,395.00
60,000 lb (27,215.5 kg)	36201	\$8,395.00
100,000 lb (45,359.2 kg)	36202	\$13,295.00
150,000 lb (68,039.0 kg)	43288	\$13,295.00

## EZ MOUNT 1 STAINLESS STEEL ORDER INFORMATION

Load Rating (per module)	Part #	Price
<b>4-Module Kit</b>		
5000 lb (2268.0 kg)	36203	\$5,800.00
10,000 lb (4535.9 kg)	36204	\$5,800.00
20,000 lb (9071.9 kg)	36205	\$5,800.00
30,000 lb (13,607.8 kg)	36206	\$11,275.00
40,000 lb (18,143.7 kg)	36207	\$11,275.00
50,000 lb (22,679.6 kg)	36208	\$11,550.00
60,000 lb (27,215.5 kg)	36209	\$11,550.00
100,000 lb (45,359.2 kg)	36210	\$17,650.00
150,000 lb (68,039.0 kg)	43289	\$17,650.00
<b>Dummy Load Cells (Mild Steel)</b>		
5000-20,000 lb	33749	\$75.00
30,000-60,000 lb	74016	\$95.00
100,000 lb	94175	\$150.00

www.ricelake.com

USA: 800-472-6703 • CANADA/MEXICO: 800-321-6703 • INTERNATIONAL: 715-234-9171

© 2008 Rice Lake Weighing Systems • November 15, 2008 • Prices and specifications subject to change without notice. Visit ricelake.com for current prices.