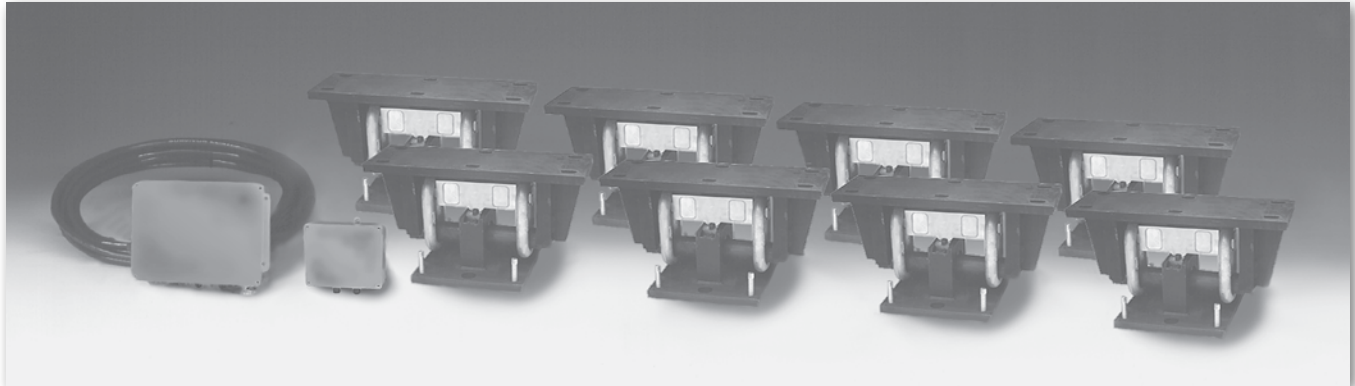


Weigh Modules • Tank and Hopper Kits

Motor Truck Scale Electronic Conversion Kit Rice Lake Weighing Systems



Picture is a representation of actual product

Full electronic performance can be achieved at a fraction of the cost of a new scale and pit. The MOTOR TRUCK SCALE (MTS) ELECTRONIC CONVERSION KIT is designed to transform an existing scale pit and weighbridge into a fully-electronic vehicle scale. Designed for quick installation without removing the platform or reconfiguring the pit, the conversion kit can often be installed in a matter of days, minimizing downtime. This ease of installation is important when considering installations where it is not feasible to completely remove the existing scale.



APPLICATIONS:

- Updating existing mechanical motor truck scales
- Replacing unsatisfactory electronic motor truck scales
- Conversion of heavy-capacity scales into fully-electronic vehicle scales where the existing scale cannot be removed

Complete Kit Includes:

- 1 JB8SP NEMA 4X signal-trim junction box with individual and section trimming capability (6- and 8-mount kits) or 1 JB4SP NEMA 4X signal-trim junction box (4-mount kits)
- 1 UJB3T6 DC transient protector
- 4, 6 or 8 Translink mounting assemblies with RL75040 or RL75223 load cells (see pages 145 & 143)
- 100' of Hostile Environment EL147HE SURVIVOR® load cell cable

STANDARD FEATURES:

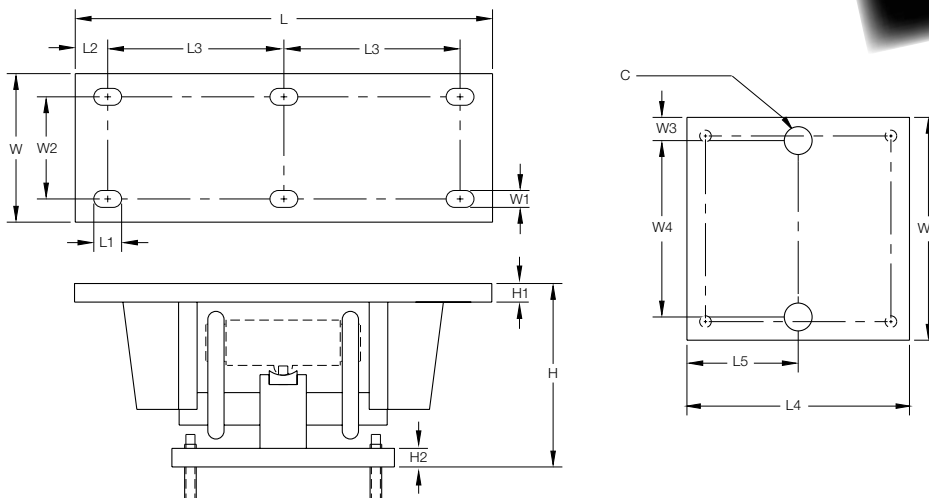
- Cost- and time-efficient installation; no need to remove weighbridge
- Converts existing scale capacities of 40,000-300,000 lb (18,143.7-90,718.7 kg)
- 4-, 6- or 8-mount kits for 2-, 3- or 4-section conversions
- Translink™ heavy-capacity mounting assemblies
- Free movement in all directions in the horizontal plane with virtually no friction
- Completely self-centering
- Requires no check rods
- Capacity per mount: 25,000-100,000 lb (11,339.8-45,359.4 kg)
- Utilizes cells with 3mV/V output

OPTIONAL FEATURES:

- Custom heights available; consult factory
- RLWS RL75223 welded-seal, Vishay Sensortronics 65040A or RTI 5223 load cells

MTS Conversion Kit Specifications

**Complete Kit!
Compare
& Save!**



RATED CAPACITY	DIMENSIONS															
	C	H*	H1	H2	L	L1	L2	L3	L4	L5	W	W1	W2	W3	W4**	W5
lb/inches																
50,000-100,000 (RL75223)	1.50	12.93	1.00	1.00	22.50	1.50	1.75	9.50	11.75	5.88	7.75	.91	5.25	1.25	9.25	11.75
25,000-40,000 (RL75040A)	1.50	9.88	1.00	1.00	18.50	1.50	1.75	7.50	11.75	5.88	7.75	.91	5.25	1.25	9.25	11.75
50,000-75,000 (RL75040A)	1.50	12.82	1.00	1.00	22.50	1.50	1.75	9.50	11.75	5.88	7.75	.91	5.25	1.25	9.25	11.75
kg/mm																
22,679.6-45,400.00 (RL75223)	38.1	328.4	25.4	25.4	571.5	37.5	44.5	241.3	298.5	149.4	196.9	23.1	133.4	31.8	235.0	298.45
11,339.8-18,143.7 (RL75040A)	38.1	251.0	25.4	25.4	469.9	37.5	44.5	190.5	298.5	149.4	196.9	23.1	133.4	31.8	235.0	298.45
22,679.6-34,019.4 (RL75040A)	38.1	325.6	25.4	25.4	571.5	37.5	44.5	241.3	298.5	149.4	196.9	23.1	133.4	31.8	235.0	298.45

* Custom heights available; consult factory

** Custom hole spacing for existing bolt patterns is available; consult factory

MTS WEIGH MODULES ORDER INFORMATION

Scale Suggested Capacity	Load Cell Capacity	Part #	Price	Load Cell used in kit
4-Module Kit (Includes Weigh Modules Load Cells, J-Box, and Transient Protection)				
40,000 lb (18,143.7 kg)	25,000 lb (11,339.8 kg)	30513	\$5,295.00	RL75040A
60,000 lb (27,215.6 kg)	40,000 lb (18,143.7 kg)	30514	\$5,795.00	RL75040A
6-Module Kit (Includes Weigh Modules Load Cells, J-Box, and Transient Protection)				
100,000 lb (45,359.4 kg)	50,000 lb (22,679.6 kg)	30515	\$9,245.00	RL75040A
120,000 lb (54,431.2 kg)	60,000 lb (27,215.6 kg)	30516	\$9,245.00	RL75040A
8-Module Kit (Includes Weigh Modules Load Cells, J-Box, and Transient Protection)				
120,000 lb (54,431.2 kg)	60,000 lb (27,215.6 kg)	30517	\$11,995.00	RL75040A
200,000 lb (90,718.7 kg)	75,000 lb (34,019.4 kg)	30518	\$11,995.00	RL75040A
300,000 lb SD (136,078.1 kg)	100,000 lb (45,359.4 kg)	30512	\$14,695.00	RL75223

SD refers to super duty, 100,000 lb (45,359.4 kg) capacity welded-seal load cells

www.ricelake.com/loadcells

USA: 800-472-6703 • CANADA/MEXICO: 800-321-6703 • INTERNATIONAL: 715-234-9171

© 2008 Rice Lake Weighing Systems • November 15, 2008 • Prices and specifications subject to change without notice. Visit ricelake.com/loadcells for current prices.

Weigh Modules