

Weigh Modules

Unique
One-Piece
Design

RL8000 HE Stainless Steel, Hermetically Sealed, Rice Lake



Picture is a representation of actual product

APPLICATIONS:

- Light- to medium-capacity tanks, bins and hoppers
- Chemical blending, batching and mixing

STANDARD FEATURES:

- Capacities from 250-5,000 lb (113.4-2268 kg)
- Stainless steel
- Hermetically sealed
- Low profile
- 300% compression overload protection
- Easy installation
- IP66/68

This is the miniature version of the RL8500HE and features all of the same benefits. This innovative mounting assembly incorporates the load cell and mount into the same piece of hardware. The result is an extremely rugged, low-profile assembly that is capable of operating with very high performance levels in the worst of environmental conditions. This assembly is manufactured from stainless steel, and is hermetically sealed to prevent moisture intrusion. Since there is no bulky mounting hardware to deal with, the installation of the product is quick and easy. The capacity range on this version is 250 to 5,000 lb (113.4 to 2268.0 kg).

Load Cell Certifications:

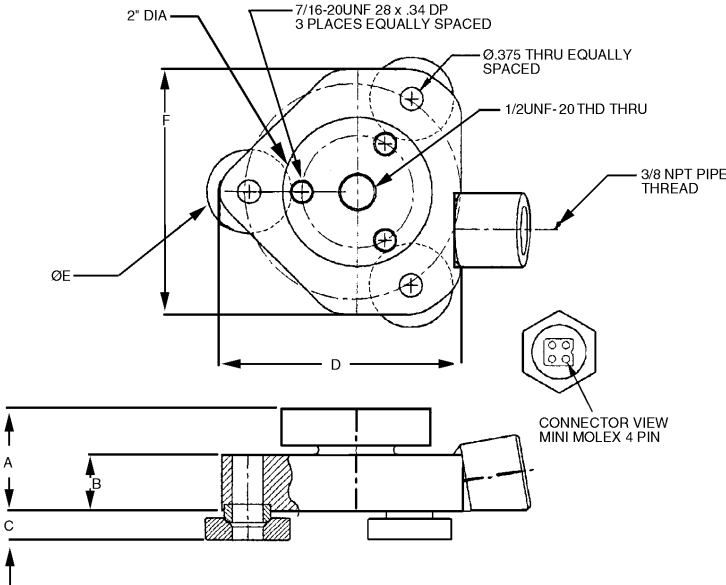


Consult factory for
FM instrumentation
assistance

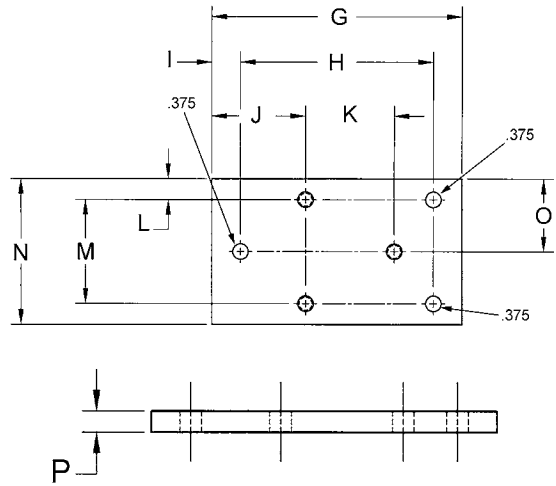
www.ricelake.com/loadcells

USA: 800-472-6703 • CANADA/MEXICO: 800-321-6703 • INTERNATIONAL: 715-234-9171

RL8000 HE Specifications



Optional Base Plate Dimensions



RATED CAPACITY	DIMENSIONS															
	A	B	C	D	E	F	G	H	I	J	K	L	M	N	O	P
lb/inches																
250-5000	1.38	.75	.40	3.22	1.13	3.28	6.00	4.63	.69	2.25	2.12	.50	2.50	3.50	1.75	.36
kg/mm																
113.4-2268.0	35.1	19.1	10.2	81.8	28.7	83.3	152.4	117.6	17.5	57.2	53.9	12.7	63.5	88.9	44.5	9.3

SPECIFICATIONS:

Full Scale Output:	2.0 mV/V	Hysteresis:	0.03% Full scale
Bridge Resistance:	1000 ohms, nominal with voltage applied	Insulation Resistance:	1000 megohms
Material/Finish:	Stainless steel	Seal Type:	Hermetically-sealed, IP66/68
Temperature:	Compensated range 0°F to 150°F/-18°C to 65°C	Cable Length:	25'/7.6 m stainless steel overbraid
Safe Overload:	300% Full scale	Cable Color Code:	Red + Excitation Black - Excitation Green + Signal White - Signal
Safe Sideload:	200% Full scale	Warranty:	2-year limited warranty
Rated Excitation:	6-15V DC		
Nonlinearity:	0.03% Full scale		

RL8000 HE ORDER INFORMATION

Load Rating	Part #	Price
250 lb (113.4 kg)	N/A	\$1,195.00
500 lb (226.8 kg)	N/A	\$1,195.00
1000 lb (453.6 kg)	N/A	\$1,195.00
2500 lb (1134.0 kg)	N/A	\$1,195.00
5000 lb (2268.0 kg)	N/A	\$1,195.00
*Mounting Hardware	N/A	\$45.00
*Cable	63121	\$395.00
Replacement Foot	N/A	Consult factory
Optional base plate	N/A	Consult factory

*Add to RL8000HE price

www.ricelake.com/loadcells

USA: 800-472-6703 • CANADA/MEXICO: 800-321-6703 • INTERNATIONAL: 715-234-9171