

# Weigh Modules • Tank and Hopper Kits

## RL8000 KM Stainless Steel, Hermetically Sealed, Rice Lake



*Picture is a representation of actual product*

The RL8000KM is the latest addition to the RL8000 series of innovative products that incorporate the load cell and mount into the same piece of hardware. The KM version includes a standard mounting plate and with optional top plate, allows for quick and easy retrofits of Kistler Morse load disc applications. It's manufactured from stainless steel, and is hermetically sealed to prevent moisture intrusion. The result is an extremely rugged, low-profile assembly that is capable of operating with a high degree of accuracy in the worst of conditions. The standard cable length for this assembly is 25', although the cable can be requested in varying lengths and is field replaceable. Available in capacities from 250 lb through 10,000 lb.

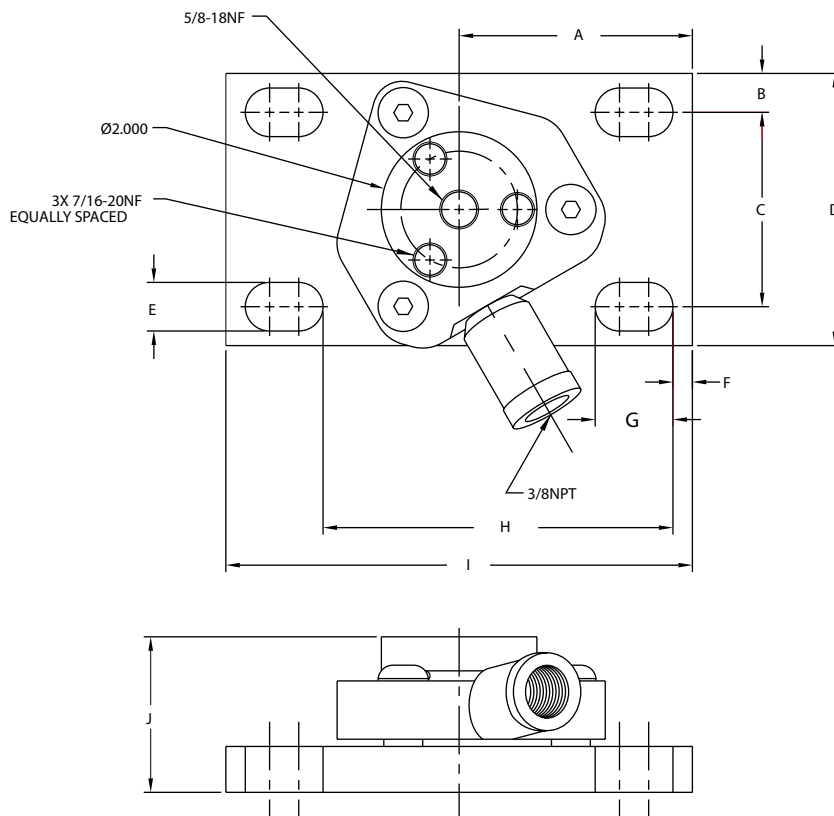
### APPLICATIONS:

- For use in harsh washdown areas
- Vessel weighing, batching and inventory control

### STANDARD FEATURES:

- Capacities from 250-10,000 lb (113.4-2268 kg)
- Stainless steel
- Hermetically sealed
- Low profile
- 300% compression overload protection
- Easy installation
- IP66/68

# RL8000 KM Specifications



| RATED CAPACITY                    | DIMENSIONS |         |         |      |         |        |         |          |       |      |
|-----------------------------------|------------|---------|---------|------|---------|--------|---------|----------|-------|------|
|                                   | A          | B       | C       | D    | E       | F      | G       | H        | I     | J    |
| <b>lb/inches</b><br>250-10,000 lb | 3.00       | 2X .50  | 2X 2.50 | 3.50 | 4X .625 | 2X .25 | 4X 1.00 | 2X 4.50  | 6.00  | 2.00 |
| <b>kg/mm</b><br>113.4-254,000.0   | 76.2       | 2X 12.7 | 2X 63.5 | 88.9 | 4X 15.8 | 2X 6.3 | 4X 25.4 | 2X 114.3 | 152.4 | 50.8 |

## SPECIFICATIONS:

|                           |  |                               |  |
|---------------------------|--|-------------------------------|--|
| <b>Full Scale Output:</b> | 2.0 mV/V   | <b>Hysteresis:</b>            | 0.03% Full scale   |
| <b>Bridge Resistance:</b> | 1050 ohms, nominal with voltage applied          | <b>Insulation Resistance:</b> | 1000 megohms   |
| <b>Material/Finish:</b>   | Stainless steel                                  | <b>Seal Type:</b>             | Hermetically-sealed  |
| <b>Temperature:</b>       | Compensated range<br>-0°F to 150°F/-17°C to 65°C | <b>Cable Length:</b>          | 25'/7.6 m stainless steel overbraid  |
| <b>Safe Overload:</b>     | 300%* Full scale                                 | <b>Cable Color Code:</b>      | Red ..... + Excitation<br>Black ..... - Excitation<br>Green ..... + Signal<br>White ..... - Signal |
| <b>Safe Sideload:</b>     | 200% Full scale                                  | <b>Warranty:</b>              | 2-year limited warranty  |
| <b>Rated Excitation:</b>  | 6-15V DC   |                               |  |
| <b>Nonlinearity:</b>      | 0.03% Full scale                                 |                               |  |

\* 200% on 10,000 lb unit only

## RL8000 KM ORDER INFORMATION

| Load Rating           | Part # | Price      |
|-----------------------|--------|------------|
| 250 lb (113.4 kg)     | N/A    | \$1,195.00 |
| 500 lb (226.8 kg)     | N/A    | \$1,195.00 |
| 1000 lb (453.6 kg)    | N/A    | \$1,195.00 |
| 2500 lb (1134.0 kg)   | N/A    | \$1,195.00 |
| 5000 lb (2268.0 kg)   | N/A    | \$1,195.00 |
| 10,000 lb (4536.0 kg) | N/A    | \$1,195.00 |
| *Top Plate            | N/A    | \$295.00   |
| *Cable                | 63121  | \$395.00   |

\*Add to RL8000KM price

[www.ricelake.com/loadcells](http://www.ricelake.com/loadcells)

USA: 800-472-6703 • CANADA/MEXICO: 800-321-6703 • INTERNATIONAL: 715-234-9171

© 2008 Rice Lake Weighing Systems • November 15, 2008 • Prices and specifications subject to change without notice. Visit [ricelake.com/loadcells](http://ricelake.com/loadcells) for current prices.