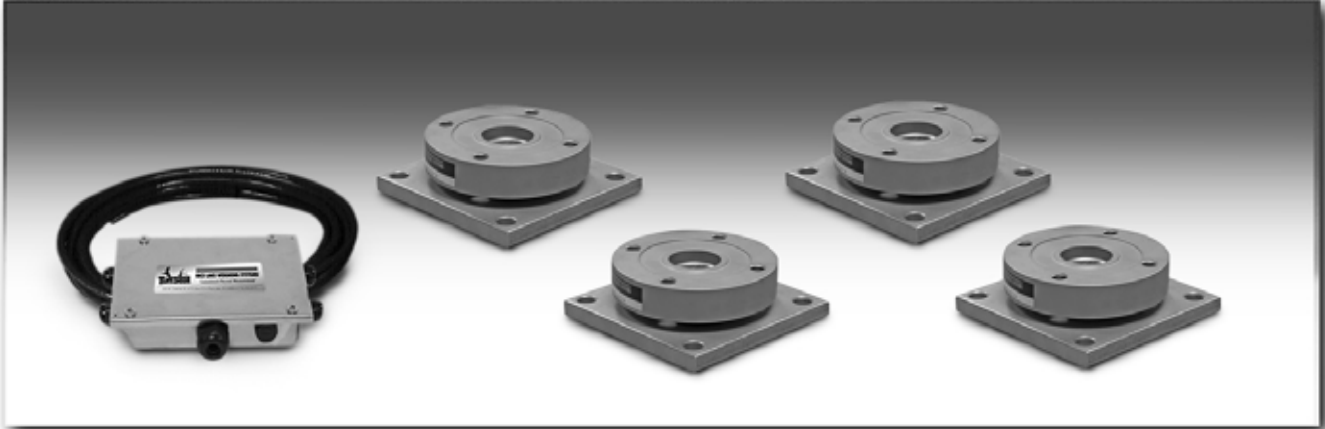


# Weigh Modules • Tank and Hopper Kits

Color Literature  
Available by Request

## RL9000 TWM Series

### Tank, Hopper & Vessel Weighing Assembly, Rice Lake Weighing Systems



Weigh Modules



Picture is a representation of actual product



The RL9000 TWM Series stainless steel weigh module is ideal for use in tank, hopper, vessel, and many other applications. The low-profile design allows for economical solutions in a competitive marketplace. This rugged, high-precision mount is designed for easy installation and does not require check rods or other stabilizing hardware. The RL9000 TWM mount has the added feature of self centering, allowing for side loads without sacrificing performance. The stainless steel construction and welded seal offer additional protection in washdown areas.



Assembly with integral RL9000 TWM compression disk load cell. See next page for load cell specifications.



### Complete Kit Includes:

- 1 JB4SS NEMA 4X stainless steel signal trim junction box
- 3 or 4 HBM RTM stainless steel mounting assemblies
- 25' of our Hostile Environment EL147HE SURVIVOR® load cell cable

#### APPLICATIONS:

- Tank, hopper, or vessel weighing
- Scale platforms and screw feeders

#### STANDARD FEATURES:

- Capacities: 1000-450,000 lb
- Very low profile design
- 3 mV/V output
- Self-centering in all directions
- Self-checking assembly
- Offers 100% sideload, 100% uplift and 300% ultimate overload protection
- Stainless steel construction
- Welded seal
- Weighs accurately with as much as a 3° on-parallel load
- Integral 25' cable

#### OPTIONAL FEATURES:

- Stainless steel top plates
- Stainless steel base plates standard
- High temperature (up to 400°F) option

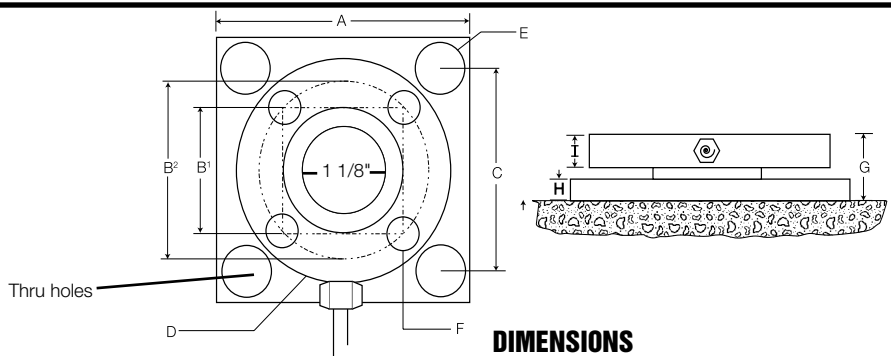
\*150K-450K have mild steel painted base plate

[www.ricelake.com/loadcells](http://www.ricelake.com/loadcells)

USA: 800-472-6703 • CANADA/MEXICO: 800-321-6703 • INTERNATIONAL: 715-234-9171

© 2008 Rice Lake Weighing Systems • November 15, 2008 • Prices and specifications subject to change without notice. Visit [ricelake.com/loadcells](http://ricelake.com/loadcells) for current prices.

# RL9000 TWM Series Specifications



RATED CAPACITY	DIMENSIONS											CONDUIT ADAPTER
	A	B1	B2	C	D	E	F	G	H	I		
kg/lb												
1-15k	4.0	2.0 sq	NA	3.25	3.5	0.4	3/8-16	1k-10k 1.35 15k 1.60	1k-10k 0.375 15k .625	0.75		N/A
20-50k	7.0	3.75 sq	NA	5.5	6.0	0.63	1/2-13	2.48	0.75	1.3		1/2-14 NPT
60-100k	8.0	4.25 sq	NA	6.5	7.0	0.81	3/4-16	2.50	1.0	1.3		1/2-14 NPT
150-200k	10.0	NA	7.75 BC	8.0	9.0	1.1	1"-14	4.75	2.0	1.7		1/2-14 NPT
250-450k	12.0	NA	7.75 BC	10.0	10.0	1.3	7/8-14	6.42	3.0	2.25		1/2-14 NPT

## LOAD CELL SPECIFICATIONS:

Full Scale Output:	3 mv/v +/- .1%
Bridge Resistance:	350 ohms
Material/Finish:	Stainless steel*
Safe Overload:	150% F.S.
Rated Excitation:	10 V DC
Operating Temperature:	0° to 150° F

Insulation Resistance:	5000 megohms
Seal Type:	Welded seal IP 67
Cable Length:	25'
Cable Color Code:	+.....Excitation Green -.....Excitation Black +.....Signal White -.....Signal Red

Warranty: 2 years

## RL9000 TWM SERIES ORDER INFORMATION

Load Rating	Part #	Price
<b>Single Module</b>		
1000 lb	84353	\$595.00
2500 lb	84354	\$595.00
5000 lb	84355	\$595.00
10,000 lb	84356	\$595.00
15,000 lb	84357	\$595.00
20,000 lb	84358	\$1,195.00
25,000 lb	84359	\$1,195.00
35,000 lb	84360	\$1,195.00
50,000 lb	84361	\$1,195.00
60,000 lb	84362	\$2,095.00
75,000 lb	84363	\$2,095.00
100,000 lb	84364	\$2,095.00
150,000 lb	84365	\$4,395.00
200,000 lb	84366	\$4,395.00
250,000 lb	84368	\$6,495.00
300,000 lb	84369	\$6,495.00
400,000 lb	84370	\$6,495.00
450,000 lb	84371	\$6,495.00
<b>Top Plates (Stainless Steel) with bolts</b>		
1-15K	91207	\$150.00
20-50K	91210	\$225.00
60-100K	91211	\$695.00
150-200K	91213	\$895.00
250-450K	91215	\$1,695.00
<b>3-Module Kit</b>		
1000 lb	98974	\$1,995.00
2500 lb	98980	\$1,995.00
5000 lb	98981	\$1,995.00
10,000 lb	98982	\$1,995.00
15,000 lb	98983	\$1,995.00

<b>3-Module Kit</b>		
20,000 lb	98984	\$3,795.00
25,000 lb	98985	\$3,795.00
35,000 lb	98986	\$3,795.00
50,000 lb	98987	\$3,795.00
60,000 lb	98988	\$6,495.00
75,000 lb	98989	\$6,495.00
100,000 lb	98990	\$6,495.00
150,000 lb	98991	\$13,395.00
200,000 lb	98992	\$13,395.00
250,000 lb	98993	\$19,695.00
300,000 lb	98994	\$19,695.00
400,000 lb	98995	\$19,695.00
450,000 lb	98996	\$19,695.00
<b>4-Module Kit</b>		
1000 lb	98997	\$2,495.00
2500 lb	98998	\$2,495.00
5000 lb	98999	\$2,495.00
10,000 lb	99000	\$2,495.00
15,000 lb	99001	\$2,495.00
20,000 lb	99002	\$4,895.00
25,000 lb	99003	\$4,895.00
35,000 lb	99004	\$4,895.00
50,000 lb	99005	\$4,895.00
60,000 lb	99006	\$8,495.00
75,000 lb	99007	\$8,495.00
100,000 lb	99008	\$8,495.00
150,000 lb	99009	\$17,695.00
200,000 lb	99010	\$17,695.00
250,000 lb	99011	\$26,095.00
300,000 lb	99012	\$26,095.00
400,000 lb	99013	\$26,095.00
450,000 lb	99014	\$26,095.00

\* 150K-450K have mild steel painted base plates

www.ricelake.com

USA: 800-472-6703 • CANADA/MEXICO: 800-321-6703 • INTERNATIONAL: 715-234-9171

© 2008 Rice Lake Weighing Systems • November 15, 2008 • Prices and specifications subject to change without notice. Visit ricelake.com for current prices.

Weigh Modules