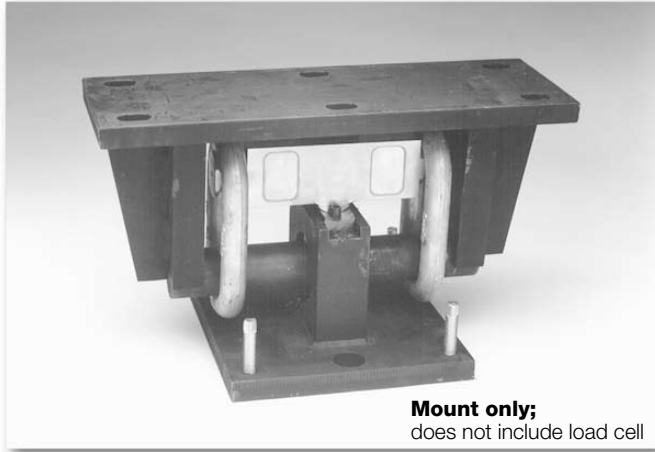


Weigh Modules • Tank and Hopper Kits



TRANSLINK™ Parallel Link Truck Scale Assembly, Rice Lake Weighing Systems



Mount only;
does not include load cell

Picture is a representation of actual product

The TRANSLINK parallel link truck scale assembly is designed for use with Rice Lake Weighing Systems' RL75223 and RL75040A, Revere Transducer's 5223 or Vishay Sensortronics' 65040A load cells. This design allows the scale platform to move freely in all directions in a horizontal plane while causing the platform to self-center because of the pendulous action of the links.

The unique parallel link design eliminates the need for costly and troublesome checkrods. Simply install platform bumpers and forget about over-travel. This mount is ideal for heavy-capacity weigh bridges.

APPLICATIONS:

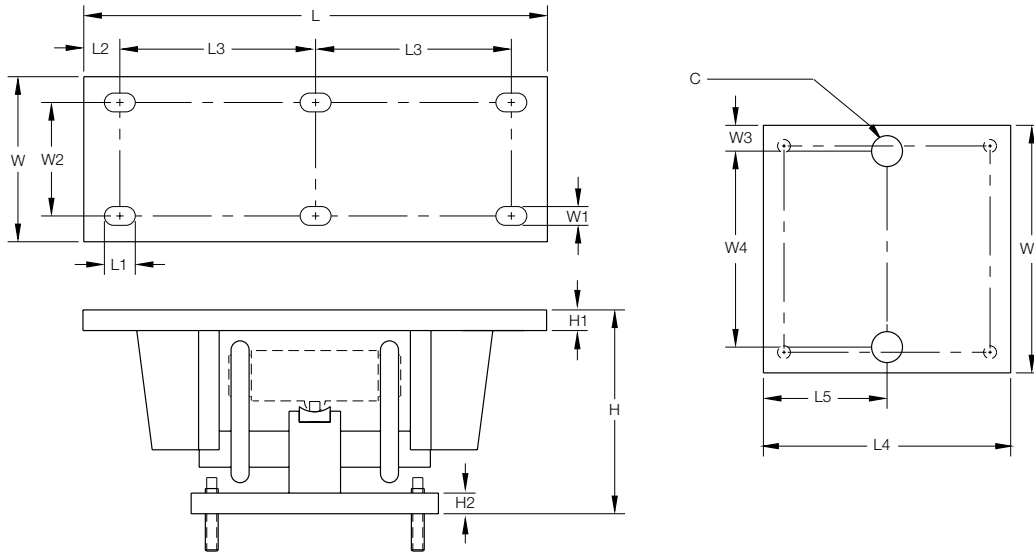
- Truck scale mount
- Heavy-capacity horizontal tanks

STANDARD FEATURES:

- Capacities: 25,000-100,000 lb (11,339.8-45,359.4 kg)
- Center-supported, end-loaded double-ended shear beam design
- Free movement in all directions in the horizontal plane with virtually no friction
- Links provide optimal loading conditions for the cell
- Completely self-centering
- Requires no check rods
- Utilizes cells with 3 mV/V output
- Models available are RL75223 and RL75040, RTI 5223 and Vishay Sensortronics 65040A load cells



TRANSLINK™ Specifications



Weigh Modules

RATED CAPACITY

DIMENSIONS

	C	H	H1	H2	L	L1	L2	L3	L4	L5	W	W1	W2	W3	W4	W5
lb/inches																
50,000-100,000 (RL75223, 5223)	1.50	12.93	1.00	1.00	22.50	1.50	1.75	9.50	11.75	5.88	7.75	.91	5.25	1.25	9.25	11.75
25,000-40,000 (RL75040A, 65040A)	1.50	9.88	1.00	1.00	18.50	1.50	1.75	7.50	11.75	5.88	7.75	.91	5.25	1.25	9.25	11.75
50,000-75,000 (RL75040A, 65040A)	1.50	12.82	1.00	1.00	22.50	1.50	1.75	9.50	11.75	5.88	7.75	.91	5.25	1.25	9.25	11.75
kg/mm																
22,679.6-45,359.4	38.1	328.4	25.4	25.4	571.5	37.5	44.5	241.3	298.5	149.4	196.9	23.1	133.4	31.8	235.0	298.4
11,339.8-18,143.7	38.1	251.0	25.4	25.4	469.9	37.5	44.5	190.5	298.5	149.4	196.9	23.1	133.4	31.8	235.0	298.4
22,679.6-34,019.4	38.1	325.6	25.4	25.4	571.5	37.5	44.5	241.3	298.5	149.4	196.9	23.1	133.4	31.8	235.0	298.4

TRANSLINK ORDER INFORMATION

Load Rating	Part #	Price
For use with RL75223, 5223 Load Cells		
50,000-100,000 lb (22,679.6-45,359.4 kg)	17970	\$595.00
For use with RL75040A, 65040A Load Cells		
25,000-40,000 lb (11,339.8-18,143.7 kg)	17971	\$595.00
50,000-75,000 lb (22,679.6-34,019.4 kg)	17972	\$595.00

* Mount only; does not include load cell

See page 143 for load cell model RL75223 (RLWS), page 145 for load cell model RL75040 (RLWS), and page 318 for model 65040A (Vishay Sensortronics) specifications