

RL1800 Series Mounting Assembly

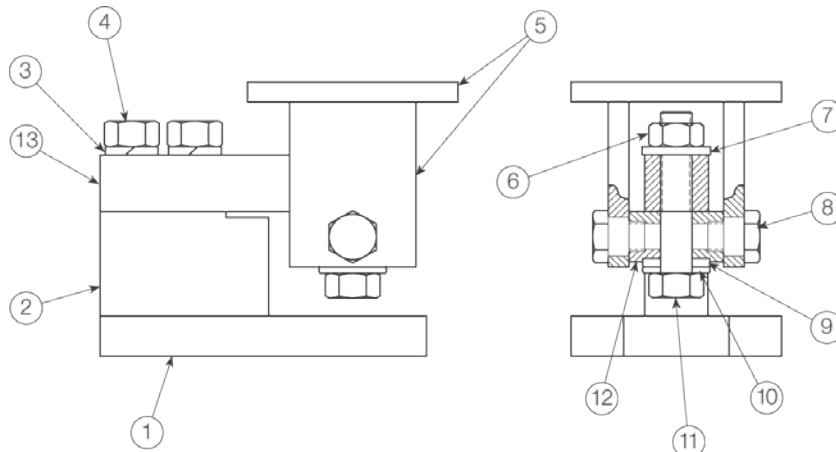
Mild Steel

Part Number/Price

Ref#	Part#	Description	Price
	25712	Installation manual	Consult
Rated Capacity: 250 lb – 5,000 lb SE			
1	22723	Base plate	Consult
2	22724	Load cell mounting block	Consult
3	15167	Lock washer	Consult
4	14765	Load cell bolt	Consult
5	22725	Upper support	Consult
6	14664	Jam nut	Consult
7	15173	Flat washer	Consult
8	22726	Shoulder bolt	Consult
9 & 10	15198	Spherical washer set	Consult
11	14759	Hex-head loading bolt	Consult
12	22727	Upper support loading block	Consult
13	17341	Load cell, RL30000 - 250 lb	Consult
	17342	Load cell, RL30000 - 500 lb	Consult
	21491	Load cell, RL30000 - 1,000 lb	Consult
	21493	Load cell, RL30000 - 2,000 lb	Consult
	21495	Load cell, RL30000 - 2,500 lb	Consult
	21497	Load cell, RL30000 - 3,000 lb	Consult
	21498	Load cell, RL30000 - 4,000 lb	Consult
	21500	Load cell, RL30000 - 5,000 lb SE	Consult
	21528	Load cell, RL35023 - 1,000 lb	Consult
	21529	Load cell, RL35023 - 2,000 lb	Consult
	21530	Load cell, RL35023 - 2,500 lb	Consult
21531	Load cell, RL35023 - 3,000 lb	Consult	
21532	Load cell, RL35023 - 4,000 lb	Consult	
21535	Load cell, RL35023 - 5,000 lb (small envelope)	Consult	
Rated Capacity: 5,000 lb LE and 10,000 lb			
1	22728	Base plate	Consult
2	22729	Load cell mounting block	Consult
3	15181	Lock washer	Consult
4	14788	Load cell bolt	Consult
5	22730	Upper support	Consult
6	14687	Jam nut	Consult
7	15179	Flat washer	Consult
8	22726	Shoulder bolt	Consult
9 & 10	15200	Spherical washer set	Consult
11	14786	Hex-head loading bolt	Consult
12	22731	Upper support loading block	Consult
13	21533	Load cell, RL35023 - 5,000 lb (large envelope)	Consult
	21534	Load cell, RL35023 - 10,000 lb	Consult

SE refers to small envelope. LE refers to large envelope.

(See Diagram RL1800-A)



RL1800-A

