



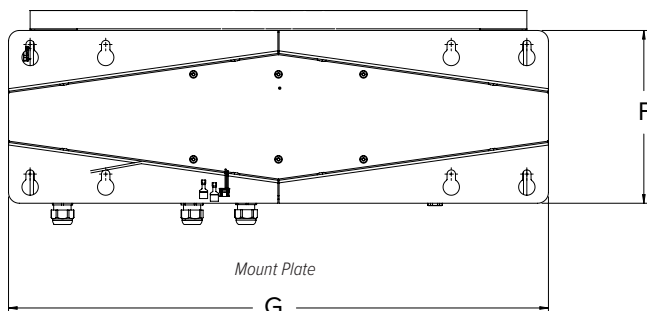
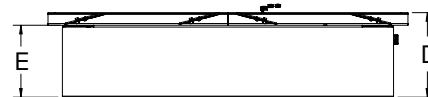
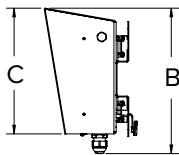
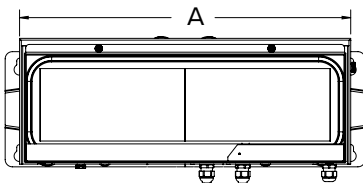
### Approvals



Measurement  
Canada  
Approved

### Dimensions

LaserLight3			
A	23.00 in (584 mm)	E	5.00 in (127 mm)
B	10.10 in (256 mm)	F	8.00 in (203 mm)
C	8.73 in (222 mm)	G	25.02 in (636 mm)
D	5.87 in (149 mm)		



### Standard Features

- Available with 128 × 32-pixel color display
- Displays six high-intensity digits up to 5 in height
- Adjustable daylight/night intensity
- Mirror mode (reverse image) function
- Durable weather tight enclosure with flip-down door
- Flat-wall mounted or add VESA or offset mount

### Options

- Wireless LAN, Wi-Fi interface 802.11 a/b
- Wireless interface, pair of ConnexLink™ radios and mount
- Pole mount kit, VESA flat wall for 2 to 6 inch pole (W × H) 200 × 100 mm, 6 fasteners (M4 × 8 mm)
- Sunshade visor, 8-inch painted steel

### Specifications

#### Power:

AC voltages: 100 to 240VAC; 50/60Hz  
120 watt (120 VAC)

#### Output Interface:

Ethernet TCP/IP, independently configurable echo port

#### Input Data Format:

Baud rate: 1200, 2400, 4800, 9600, 19200, 38400, 57600 and 115200 self-learning or configurable

#### Update:

Continuous or out-of-motion modes  
Message interrupt mode

#### Digital I/O:

Four I/O read or set  
5V logic

#### Communication Ports:

Ethernet TCP/IP, RS-232, RS-485, 20 mA  
Optional ConnexLink™ wireless radio, WLAN interface 802.11 a/b

#### Character Format:

7 or 8 data bits; even, odd, or no parity;  
1 or 2 stop bits

#### Maximum Viewing Distance:

4-inch character 100 ft (30 m)  
5-inch character: 150 ft (46 m)

#### Viewing Angle:

160°

#### Display:

Bright, outdoor color LED lamps  
128- × 32-pixel, 4 mm pitch  
Decimal or comma indication  
Weight display with units and mode  
Message display 1, 2 or 4 lines

#### Keys/Buttons:

Zero, Gross/Net, Tare, Units, Print, Menu

#### Time:

Software enable, 12 or 24 hour format

#### Date:

Software enable, US or ISO format

#### Dimensions:

(L × W × H)  
25 × 10 × 6 in

#### Temperature Range:

Operating: -40 °F to 120 °F (-40 °C to 49 °C)

#### Rating/Material:

IP66  
Mild steel, powder-coated

#### Weight:

20 lb  
(9 kg)

#### Warranty:

Two-year limited

#### Approvals:

NTEP CC 22-096  
Measurement Canada AM-6210C

# LaserLight3™

Color Large-Display Weight Indicator

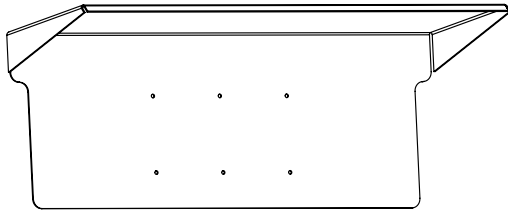
## Part Number/Price

Part #	Description	Est. Weight	Price
205780	LaserLight3 large-display weight indicator	20lb	Consult

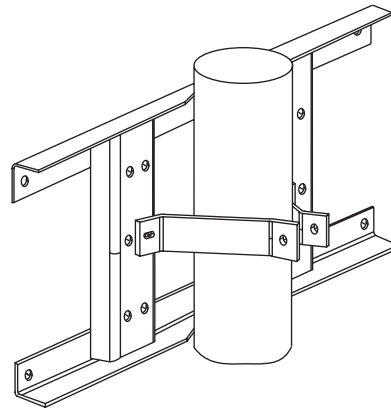
## Options/Accessories

Part #	Description	Price
212745	Pole mount kit, VESA flat-wall, 200 mm W x 100 mm H, 6 fasteners (M4 x 8 mm) for 2-6 inch pole	Consult
75856	Pole mount kit, 4-inch flange style (24-inch wide frame use with 4-8 inch dia. pole)	Consult
208807	Sunshade, 8-inch	Consult
209118	Wireless LAN, RS-232/Wi-Fi interface 802.11 a/b XPico module	Consult
212753	Wireless interface, pair of ConnexLink radios transceiver kit and mount	Consult

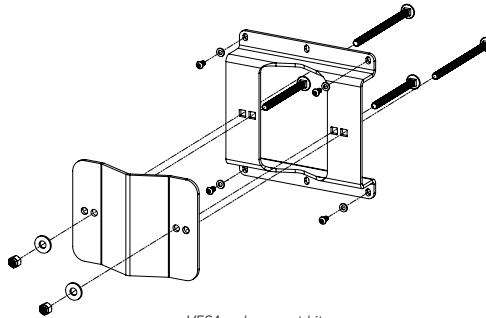
INDICATORS /  
CONTROLLERS



Sunshade  
PN 208807



Flange pole mount kit  
PN 75856



VESA pole mount kit  
PN 212745