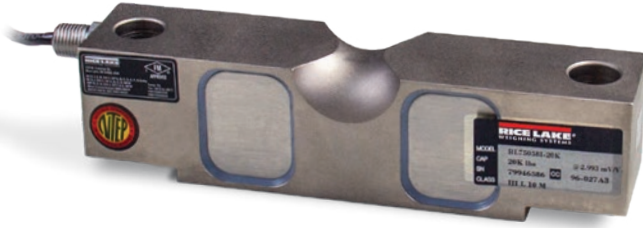


RL75058I for Rice Lake Coil Scale

Alloy Steel, Environmentally Sealed, NTEP Certified 1:5,000 Class III Multiple Cell, IP67



Picture is a representation of actual product.

Approvals

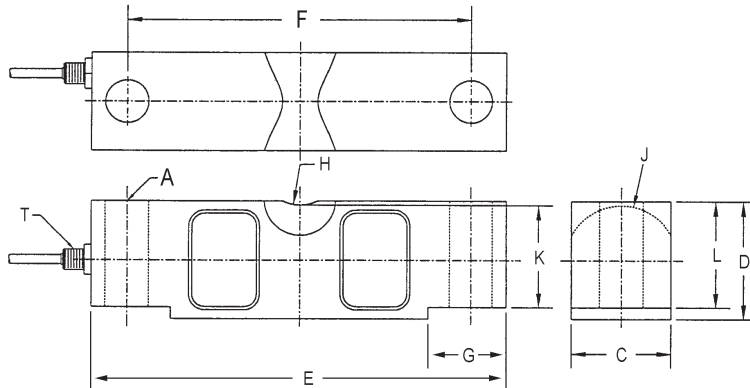


Order Information

Load Rating	Part #	Est. Weight	Price
20,000 lb	121439	8 lb	Consult
25,000 lb	121440	8 lb	Consult
40,000 lb	121441	13 lb	Consult
50,000 lb	121442	19 lb	Consult
60,000 lb	121443	19 lb	Consult
75,000 lb	121444	19 lb	Consult

Dimensions

Rated Capacity	A	C	D	E	F	G	H	J	K	L	T
lb/in											
20,000 to 25,000	0.68	1.69	1.94	7.75	6.50	1.38	0.75	0.90	1.63	1.70	1/4-18 NPT
40,000	0.81	1.94	2.44	10.25	8.50	1.93	1.00	1.12	2.00	2.10	1/4-18 NPT
50,000 to 75,000	1.06	2.44	2.94	10.25	8.50	1.93	1.00	1.37	2.54	2.65	1/2-14 NPT



Specifications

Full Scale Output:

3.0 mV/V

Output Resistance:

699 to 707 ohm

Input Resistance:

686 to 714 ohm

Material/Finish:

High-alloy steel, nickel plated

Temperature:

Compensated range

14 °F to 104 °F/-10 °C to 40 °C

Operating range

0 °F to 150 °F/-18 °C to 65 °C

Seal Type:

Environmentally sealed, IP67

Safe Overload:

150% full scale

Safe Sideload:

100% full scale

Rated Excitation:

5 to 10 VDC (15 V maximum)

Combined Error:

0.02% full scale

Insulation Resistance:

5,000 megohm

Cable Length:

35 ft

Cable Diameter:

20,000 lb: 0.200 in

40,000 to 75,000 lb: 0.305 in

Polyurethane jacket

Cable Coloring Code:

Red +Excitation

Black -Excitation

Green +Signal

White -Signal

Warranty:

Two-year limited

Approvals:

cFMus

NTEP 98-143

RICE LAKE
LOAD CELLS