

Weigh Modules

TABLE OF CONTENTS	
ITCM	44
<i>Isolated Tension Cell Modules</i>	
ITCM SS	46
<i>Stainless Steel Isolated Tension Cell Modules</i>	
ITCM HE	48
<i>Stainless Steel, Welded Seal, NTEP Certified Isolated Tension Cell Modules</i>	
RL50210TA	50
<i>Mini Tank Weighing Module</i>	
65059	52
<i>Mini Tank Weighing Module, VPG-Sensortronics</i>	
RL50219SS-TA	54
<i>Mini Tank Weighing Module, Stainless Steel</i>	
PARAMOUNTS® EP	56
<i>Environmentally Protected, Mild Steel, Light- to Medium-capacity Tank Weighing Systems</i>	
PARAMOUNTS® HS	58
<i>Hermetically Sealed, Mild Steel, Light- to Medium-capacity Tank Weighing Systems</i>	
RLBTM	60
<i>Mild Steel/Stainless Steel Weigh Modules</i>	
RL1800 SERIES	62
<i>Mild Steel/Stainless Steel Weigh Modules</i>	
RL1800 SERIES PAINTED LOAD CELL VERSION	64
<i>Stainless Steel Weigh Modules</i>	
RL1900 SERIES	66
<i>Stainless Steel Weigh Modules</i>	
RLTM	68
<i>Stainless Steel Tank Weigh Modules</i>	
RL9000TWM SERIES	70
<i>Stainless Steel, Tank, Hopper and Vessel Weighing Assembly</i>	
RL9000TWM-HT	74
<i>Tank, Hopper and Vessel Weigh Module</i>	
RL2200 SERIES	76
<i>Tank, Hopper and Vessel Weighing Assembly</i>	
RL2200SS SERIES	78
<i>Stainless Steel, Tank, Hopper and Vessel Weighing Assembly</i>	
RLC	80
<i>Stainless Steel Weigh Modules, VPG Revere</i>	
220 UNIVERSAL MOUNT	82
<i>Stainless Steel Weigh Modules, VPG Tedeo-Huntleigh</i>	
EZ MOUNT 1 WITH RL72020	84
<i>Mild Steel Weigh Modules, Rice Lake Weighing Systems</i>	
EZ MOUNT 1 SS WITH RL72020SS	86
<i>Stainless Steel Weigh Modules, Rice Lake Weighing Systems</i>	
EZ MOUNT 1 WITH PAINTED RL72020P	88
<i>Rice Lake Weighing Systems</i>	
EZ MOUNT 1 WITH RL70000	90
<i>Mild Steel Weigh Modules, Rice Lake Weighing Systems</i>	
EZ MOUNT 1 WITH RL70000SS	92
<i>Stainless Steel Weigh Modules, Rice Lake Weighing Systems</i>	
EZ MOUNT 1 WITH PAINTED RL70000	94
<i>Rice Lake Weighing Systems</i>	
EZ MOUNT 1 HE	96
<i>Stainless Steel Weigh Modules, Hermetically Sealed, Rice Lake Weighing Systems</i>	
RL1600 SERIES	98
<i>Cast Iron Weigh Modules</i>	
RL1600 SERIES	100
<i>Mild Steel Weigh Modules</i>	
RL1600 SERIES SS	102
<i>Stainless Steel Weigh Modules</i>	
RL1600 SERIES PAINTED LOAD CELL VERSION	104
<i>Stainless Steel Weigh Modules</i>	
MVS MOUNT/MVS	106
<i>Conversion Kit</i>	
TRANSLINK™ PARALLEL LINK	108
<i>Truck Scale Assembly, Rice Lake Weighing Systems</i>	
MOTOR TRUCK SCALE ELECTRONIC CONVERSION KIT	109
<i>Rice Lake Weighing Systems</i>	
MAGNAMOUNT®	111
<i>Tank, Truck and Railroad Track Assembly</i>	
METTLER TOLEDO™ DIGITOL® RETROFIT KIT	112
<i>Stainless Steel, Rice Lake Weighing Systems/Flintec</i>	
ELECTRONIC FLOOR SCALE UNDERDECK KITS	114

Product names, logos, brands, and other trademarks featured or referred to within this publication are the property of their respective trademark holders.



Picture is a representation of actual product.

The ITCM Series utilizes several Rice Lake Weighing Systems components to provide an unmatched level of performance in tank and hopper weighing applications and mechanical scale conversions. The ITCM incorporates clevis and unique rod-end ball joint assemblies to reduce the overall length to less than half of the traditional tension cell mounts, while providing correct load alignment. In addition, the load cell is completely electrically isolated from stray currents, which are a major cause of load cell failure. To complete the design, a grounding strap connects the two clevis assemblies to further provide safety to your load cells.



Module with RL20000I s-beam load cell.

Complete Kit Includes

- Three or four ITCM assemblies with RL20000I NTEP Certified s-beam load cells
- One JB4SS NEMA Type 4X stainless steel signal trim junction box
- 25 ft of hostile environment EL147HE SURVIVOR® load cell cable

Standard Features

- Capacities (per module): 100-20,000 lb
- Clevis mounts with nylon insulating washers
- 20,000 lb ITCM rod-end ball joints
- Load cell is completely isolated from stray currents
- Grounding strap provides alternative path to ground
- Complete package for ease of installation
- Provides correct loading even in difficult installations
- Lower overall height compared to other isolated tension assemblies
- Zinc-plated clevis assemblies
- 20,000 lb capacity is not electrically isolated

Applications

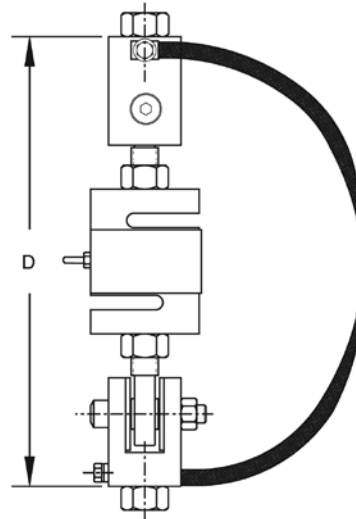
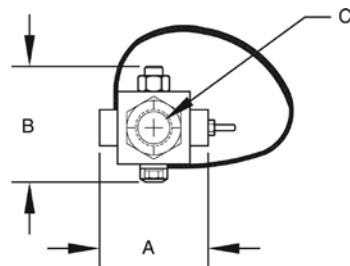
- Suspended hoppers and tanks
- Mechanical scale conversions
- Use as a single module or in multiples

Load Cell Certifications



Load Rating Dimensions Per Module

Load Cell Capacity	A	B	C	D	Single Module	Price	3-Module Kit	Price	4-Module Kit	Price
lb/in										
100	2.00	1.81	3/8-16 UNC 1/2-13 UNC	7.00 (ref)	17851 17831	\$556.00 \$556.00	18003 18004	\$1,935.00 \$1,935.00	18027 18028	\$2,493.00 \$2,493.00
150	2.00	1.81	3/8-16 UNC 1/2-13 UNC	7.00 (ref)	30337 30336	\$556.00 \$556.00	30357 30358	\$1,935.00 \$1,935.00	30359 30360	\$2,493.00 \$2,493.00
200	2.00	1.81	3/8-16 UNC 1/2-13 UNC	7.00 (ref)	30335 30338	\$556.00 \$556.00	30361 30362	\$1,935.00 \$1,935.00	30363 30364	\$2,493.00 \$2,493.00
250	2.00	1.81	3/8-16 UNC 1/2-13 UNC	7.00 (ref)	17852 17832	\$556.00 \$556.00	18005 18006	\$1,935.00 \$1,935.00	18029 18030	\$2,493.00 \$2,493.00
500	2.68	2.68	1/2-13 UNC 5/8-11 UNC 3/4-10 UNC	9.50 (ref)	17853 17858 17833	\$609.00 \$609.00 \$609.00	18007 18008 18009	\$2,078.00 \$2,078.00 \$2,078.00	18031 18032 18033	\$2,682.00 \$2,682.00 \$2,682.00
750	2.68	2.68	1/2-13 UNC 5/8-11 UNC 3/4-10 UNC	9.50 (ref)	17854 17859 17834	\$609.00 \$609.00 \$609.00	18010 18011 18012	\$2,078.00 \$2,078.00 \$2,078.00	18034 18035 18036	\$2,682.00 \$2,682.00 \$2,682.00
1,000	2.68	2.68	1/2-13 UNC 5/8-11 UNC 3/4-10 UNC	9.50 (ref)	17855 17860 17835	\$609.00 \$609.00 \$609.00	18013 18014 18015	\$2,078.00 \$2,078.00 \$2,078.00	18037 18038 18039	\$2,682.00 \$2,682.00 \$2,682.00
1,500	2.68	2.68	1/2-13 UNC 5/8-11 UNC 3/4-10 UNC	9.50 (ref)	17856 17861 17836	\$609.00 \$609.00 \$609.00	18016 18017 18018	\$2,078.00 \$2,078.00 \$2,078.00	18040 18041 18042	\$2,682.00 \$2,682.00 \$2,682.00
2,000	2.68	2.68	1/2-13 UNC 5/8-11 UNC 3/4-10 UNC	9.50 (ref)	17857 17862 17837	\$609.00 \$609.00 \$609.00	18019 18020 18021	\$2,078.00 \$2,078.00 \$2,078.00	18043 18044 18045	\$2,682.00 \$2,682.00 \$2,682.00
2,500	2.68	2.68	5/8-11 UNC 3/4-10 UNC	9.50 (ref)	17863 17838	\$609.00 \$609.00	18022 18023	\$2,078.00 \$2,078.00	18046 18047	\$2,682.00 \$2,682.00
3,000	3.37	3.37	3/4-10 UNC	10.50 (ref)	30339	\$636.00	30365	\$2,199.00	30366	\$2,793.00
5,000	3.37	3.37	3/4-10 UNC 1-8 UNC	12.25 (ref)	17864 17839	\$832.00 \$832.00	18024 18025	\$2,743.00 \$2,743.00	18048 18049	\$3,577.00 \$3,577.00
10,000	3.37	3.37	1-8 UNC	12.25 (ref)	17840	\$832.00	18026	\$2,743.00	18050	\$3,577.00
15,000	4.00	4.12	1 1/4-7 UNC	18.00 (ref)	17960	\$1,722.00	30353	\$5,438.00	30354	\$7,134.00
20,000	5.00	4.12	1 1/2-6 UNC	20.00 (ref)	17961	\$2,030.00	30355	\$5,438.00	30356	\$8,358.00



WEIGH MODULES
ITCM SS

Stainless Steel Isolated Tension Cell Modules



Picture is a representation of actual product.

The ITCM Series utilizes several Rice Lake Weighing Systems components to provide an unmatched level of performance in tank and hopper weighing applications and mechanical scale conversions. The ITCM SS incorporates clevis and unique rod-end ball joint assemblies to reduce the overall length to less than half of the traditional tension cell mounts, while providing correct load alignment. In addition, the load cell is completely electrically isolated from stray currents, which are a major cause of load cell failure. To complete the design, a grounding strap connects the two clevis assemblies to further provide safety to your load cells.



Module with RL20000ST s-beam load cell.

Complete Kit Includes

- Three or four ITCM assemblies with RL20000ST NTEP Certified s-beam load cells
- One JB4SS NEMA Type 4X stainless steel signal trim junction box
- 25 ft of hostile environment EL147HE SURVIVOR® load cell cable

Standard Features

- Capacities (per module): 100-5,000 lb
- Clevis mounts with nylon insulating washers
- PTFE lined rod-end ball joints
- Load cell is completely isolated from stray currents
- Grounding strap provides alternative path to ground
- Complete package for ease of installation
- Provides correct loading even in difficult installations
- Lower overall height compared to other isolated tension assemblies

Applications

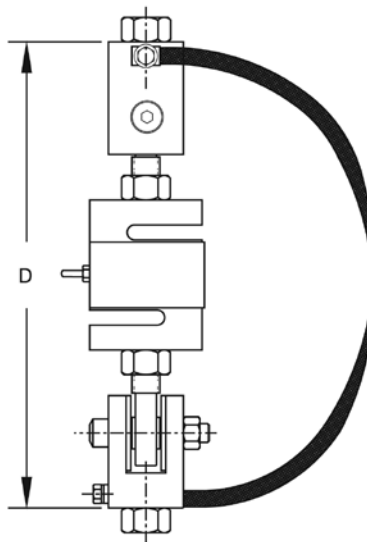
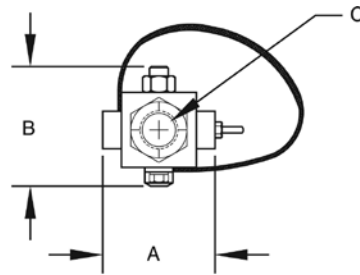
- Suspended hoppers and tanks
- Mechanical scale conversions
- Use as a single module or in multiples

Load Cell Certifications



Load Rating Dimensions Per Module

Load Cell Capacity	A	B	C	D	Single Module	Price	3-Module Kit	Price	4-Module Kit	Price
100	2.00	1.81	3/8-16 UNC 1/2-13 UNC	7.00 (ref)	46765 46766	\$874.00 \$874.00	46735 46736	\$2,782.00 \$2,782.00	46751 46752	\$3,562.00 \$3,562.00
250	2.00	1.81	3/8-16 UNC 1/2-13 UNC	7.00 (ref)	46767 46768	\$874.00 \$874.00	46737 46738	\$2,782.00 \$2,782.00	46753 46754	\$3,562.00 \$3,562.00
500	2.68	2.68	1/2-13 UNC 5/8-11 UNC	9.50 (ref)	46769 46770	\$874.00 \$874.00	46739 46740	\$2,782.00 \$2,782.00	46755 46756	\$3,562.00 \$3,562.00
750	2.68	2.68	1/2-13 UNC 5/8-11 UNC	9.50 (ref)	46771 46772	\$874.00 \$874.00	46741 46742	\$2,782.00 \$2,782.00	46757 46758	\$3,562.00 \$3,562.00
1,000	2.68	2.68	1/2-13 UNC 5/8-11 UNC	9.50 (ref)	46773 46774	\$874.00 \$874.00	46743 46744	\$2,782.00 \$2,782.00	46759 46760	\$3,562.00 \$3,562.00
2,500	2.68	2.68	5/8-11 UNC 3/4-10 UNC	9.50 (ref)	46775 46776	\$874.00 \$874.00	46745 46746	\$2,782.00 \$2,782.00	46761 46762	\$3,562.00 \$3,562.00
3,000	3.37	3.37	3/4-10 UNC	10.75 (ref)	46777	\$938.00	46747	\$3,069.00	46763	\$3,842.00
5,000	3.37	3.37	3/4-10 UNC	12.00 (ref)	46778	\$1,627.00	46748	\$5,067.00	46764	\$6,560.00



ITCM HE

Stainless Steel, Welded Seal, NTEP Certified Isolated Tension Cell Modules



Picture is a representation of actual product.

The ITCM Series utilizes several Rice Lake Weighing Systems components to provide an unmatched level of performance in tank and hopper weighing applications and mechanical scale conversions. The ITCM HE incorporates clevis and unique rod-end ball joint assemblies to reduce the overall length to less than half of the traditional tension cell mounts, while providing correct load alignment. In addition, the load cell is completely electrically isolated from stray currents, which are a major cause of load cell failure. To complete the design, a grounding strap connects the two clevis assemblies to further provide safety to your load cells.



Module with RL20001HE s-beam load cell.

Complete Kit Includes

- Three or four ITCM assemblies with RL20001HE stainless steel, welded seal
- NTEP Certified s-beam load cells
- One JB4SS NEMA Type 4X stainless steel signal trim junction box
- 25 ft of hostile environment EL147HE SURVIVOR® load cell cable

Standard Features

- Capacities (per module): 500-5,000 lb
- Clevis mounts with nylon insulating washers
- PTFE-lined rod-end ball joints
- Load cell is completely isolated from stray currents
- Grounding strap provides alternative path to ground
- Complete package for ease of installation
- Provides correct load ing even in difficult installations
- Lower overall height compared to other isolated tension assemblies

Applications

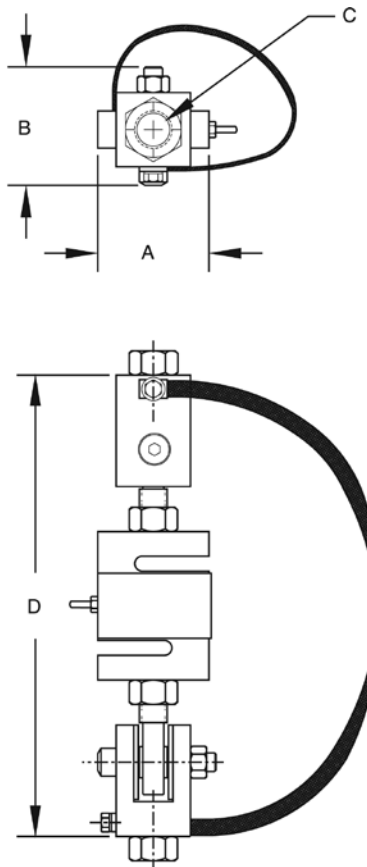
- Suspended hoppers and tanks
- Mechanical scale conversions
- Use as a single module or in multiples

Load Cell Certifications



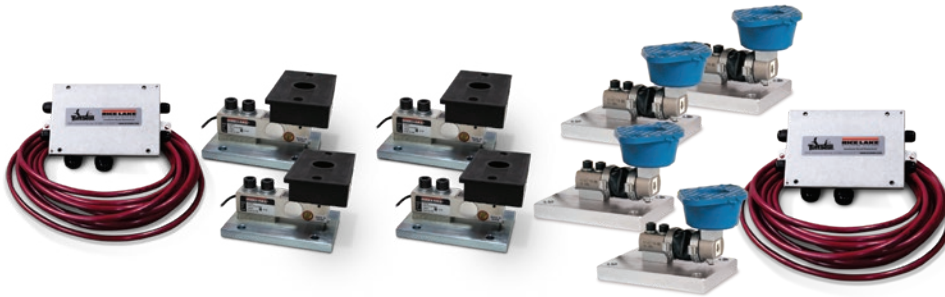
Load Rating Dimensions Per Module

Load Cell Capacity lb/in	A	B	C	D	Single Module	Price	3-Module Kit	Price	4-Module Kit	Price
500	2.68	2.68	1/2-13 UNC 5/8-11 UNC 3/4-10 UNC	9.50 (ref)	46599 46600 46601	\$1,600.00 \$1,600.00 \$1,600.00	46561 46562 46563	\$4,675.00 \$4,675.00 \$4,675.00	46580 46581 46582	\$6,233.00 \$6,233.00 \$6,233.00
750	2.68	2.68	1/2-13 UNC 5/8-11 UNC 3/4-10 UNC	9.50 (ref)	46602 46603 46604	\$1,600.00 \$1,600.00 \$1,600.00	46564 46565 46566	\$4,675.00 \$4,675.00 \$4,675.00	46583 46584 46585	\$6,233.00 \$6,233.00 \$6,233.00
1,000	2.68	2.68	1/2-13 UNC 5/8-11 UNC 3/4-10 UNC	9.50 (ref)	46605 46606 46607	\$1,600.00 \$1,600.00 \$1,600.00	46567 46568 46569	\$4,675.00 \$4,675.00 \$4,675.00	46586 46587 46588	\$6,233.00 \$6,233.00 \$6,233.00
1,500	2.68	2.68	1/2-13 UNC 5/8-11 UNC 3/4-10 UNC	9.50 (ref)	46608 46609 46610	\$1,600.00 \$1,600.00 \$1,600.00	46570 46571 46572	\$4,675.00 \$4,675.00 \$4,675.00	46589 46590 46591	\$6,233.00 \$6,233.00 \$6,233.00
2,000	2.68	2.68	1/2-13 UNC 5/8-11 UNC 3/4-10 UNC	9.50 (ref)	46611 46612 46613	\$1,600.00 \$1,600.00 \$1,600.00	46573 46574 46575	\$4,675.00 \$4,675.00 \$4,675.00	46592 46593 46594	\$6,233.00 \$6,233.00 \$6,233.00
2,500	2.68	2.68	5/8-11 UNC 3/4-10 UNC	9.50 (ref)	46614 46615	\$1,600.00 \$1,600.00	46576 46577	\$4,675.00 \$4,675.00	46595 46596	\$6,233.00 \$6,233.00
3,000	3.37	3.37	3/4-10 UNC	10.00 (ref)	46616	\$1,600.00	46578	\$4,675.00	46597	\$6,233.00
5,000	3.37	3.37	3/4-10 UNC	12.62 (ref)	46617	\$2,375.00	46579	\$7,006.00	46598	\$9,290.00



RL50210TA

Mini Tank Weighing Module



Picture is a representation of actual product.

The RL50210TA weigh module kit provides a cost-effective alternative for your customers' weighing needs. A variety of features makes this kit easy to install and an exceptional choice for various indoor weighing applications where checking requirements are low. Environmentally protected load cells, neoprene isolation/compression mounts and other Rice Lake Weighing Systems components are the keys to this module's outstanding performance.



NTEP Certified 1,000lb mild steel load cell shown.



RL50210TA mild steel (50lb-250lb)

Complete Kit Includes

- Three or four RL50210 cantilever beam load cells (50 lb - 250 lb mild steel)
- Three or four RL30000 single-ended beam load cells (500 lb mild steel)
- Three or four RL32018 single-ended beam load cells (1,000 lb - 2,500 lb mild steel)
- Three or four RL39123 single-ended beam load cells (500 lb stainless steel)
- Three or four RL32018S single-ended beam load cells (1,000 lb - 2,500 lb stainless steel)
- Three or four neoprene isolation/compression mounts
- One JB4SS NEMA Type 4X stainless steel signal trim junction box
- 25 ft of hostile environment EL147HE SURVIVOR® load cell cable

Standard Features

- NTEP Certified load cells
- Zinc plated mild steel or stainless Steel assemblies
- Weighing ranges from 50 lb to 2,500 lb per module
- Neoprene isolation mounts allow for minor misalignment, thermal expansion and shock absorption
- Overload stop provides durability

Applications

- Small tanks and hoppers
- Conveyor/In-motion weighing
- Small platform scales where minor shock loading may be a problem

Optional Features

- Stainless steel modules available in 500 lb capacities with RL39123 stainless steel load cells

Load Cell Certifications



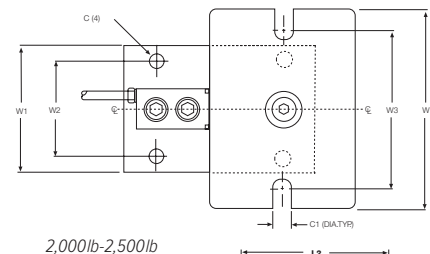
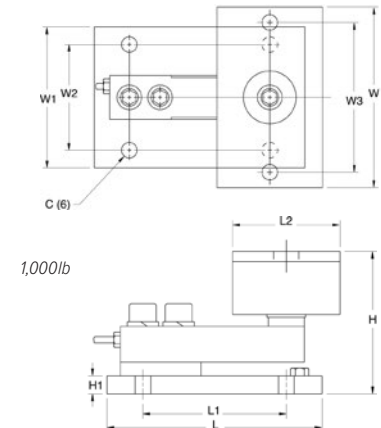
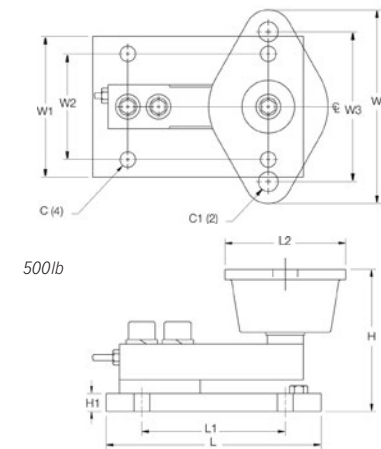
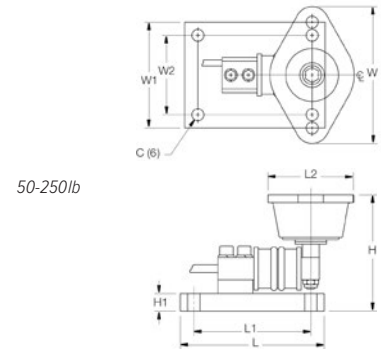
WEIGH MODULES
RL50210TA
 Mini Tank Weighing Module

Dimensions

Rated Capacity	C	C1	H	H1	L	L1	L2	W	W1	W2	W3
lb/in											
50-250	0.34	—	3.13	0.50	4.00	3.25	2.38	3.88	3.00	2.25	—
500	0.44	0.56	3.88	0.50	6.00	4.00	3.38	5.50	4.00	3.00	4.13
1,000	0.44	—	4.00	0.50	6.00	4.00	3.00	5.13	4.00	3.00	4.13
2,000-2,500	0.44	0.56	4.00	0.50	6.00	4.00	4.62	6.25	4.00	3.00	5.00

Order Information

Load Rating (Per Module)	Part #	Price
Mild Steel Single Module (Includes Load Cell)		
50 lb	17844	\$460.00
100 lb	17845	\$460.00
150 lb	17846	\$460.00
250 lb	17847	\$460.00
500 lb	17848	\$610.00
1,000 lb	17849	\$610.00
2,000 lb	17948	\$610.00
2,500 lb	17949	\$610.00
Mild Steel 3-Module Kit		
50 lb	18051	\$1,616.00
100 lb	18052	\$1,616.00
150 lb	18053	\$1,616.00
250 lb	18054	\$1,525.00
500 lb	18055	\$2,088.00
1,000 lb	18056	\$2,088.00
2,000 lb	30398	\$2,088.00
2,500 lb	30396	\$2,088.00
Mild Steel 4-Module Kit		
50 lb	18057	\$2,078.00
100 lb	18058	\$2,078.00
150 lb	18059	\$2,078.00
250 lb	18060	\$2,078.00
500 lb	18061	\$2,645.00
1,000 lb	18062	\$2,645.00 </td
2,000 lb	30397	\$2,645.00
2,500 lb	30395	\$2,645.00
Stainless Steel Single Module (Includes Load Cell)		
500 lb	17954	\$715.00
1,000 lb	17955	\$675.00
2,000 lb	17956	\$675.00
2,500 lb	17957	\$675.00
Stainless Steel 3-Module Kit		
500 lb	30394	\$2,375.00
1,000 lb	30404	\$2,375.00
2,000 lb	30402	\$2,375.00
2,500 lb	30400	\$2,375.00
Stainless Steel 4-Module Kit		
500 lb	30393	\$3,111.00
1,000 lb	30403	\$2,935.00
2,000 lb	30401	\$2,935.00
2,500 lb	30399	\$2,935.00



WEIGH MODULES

www.ricelake.com | Phone: 800-472-6703

RICE LAKE

WEIGH MODULES
65059

Mini Tank Weighing Module, VPG Sensortronics



Picture is a representation of actual product.

The 65059 weigh module kit provides a cost-effective alternative for your customers' low-range weighing needs. A variety of features makes this kit easy to install and an exceptional choice for various indoor weighing applications where checking requirements are low. Environmentally protected load cells, neoprene isolation/compression mounts and other Rice Lake Weighing Systems components are the keys to this module's outstanding performance.



Module with VPG Sensortronics 65023 single-ended shear beam load cell; capacities (per module): NTEP Certified 1,000lb load cell shown.



65059 mild steel (50lb-250lb)

Complete Kit Includes

- One JB4SS NEMA Type 4X stainless steel signal trim junction box
- Three or four 60040 cantilever beam load cells (50 lb - 250 lb mild steel models)
- Three or four 65023-500-0107 single-ended beam load cells (500 lb mild steel models)
- Three or four 65023A1K-5107 single-ended beam load cells (1,000 lb - 2,500 lb mild steel models)
- Three or four 65023-500-0113 single-ended beam load cells (500 lb stainless steel model)
- Three or four 65023S1K-5113 single-ended beam load cells (1,000 lb - 2,500 lb stainless steel models)
- Three or four neoprene isolation/compression mounts
- 25 ft of hostile environment EL147HE SURVIVOR® load cell cable

Standard Features

- Zinc plated, mild steel modules
- Lower weighing ranges from 50 lb - 500 lb per module
- Environmentally protected load cells
- Neoprene isolation/compression mounts allow for minor misalignment, thermal expansion and shock absorption
- Overload stop for 500 lb modules provides durability

Applications

- Small tanks and hoppers
- Conveyor/In-motion weighing
- Small platform scales where minor shock loading may be a problem

Load Cell Certifications

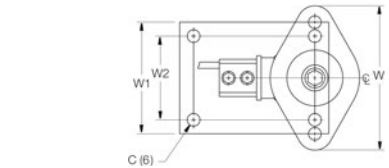


Dimensions

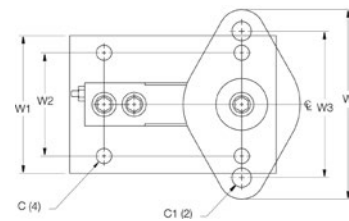
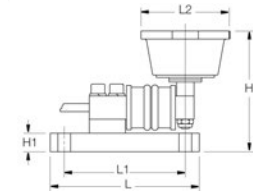
Rated Capacity	C	C1	H	H1	L	L1	L2	W	W1	W2	W3
lb/in											
50-250	0.34	—	3.13	0.50	4.00	3.25	2.38	3.88	3.00	2.25	—
500	0.44	0.56	3.88	0.50	6.00	4.00	3.38	5.50	4.00	3.00	4.13
1,000	0.44	—	4.00	0.50	6.00	4.00	3.00	5.13	4.00	3.00	4.13
2,000-2,500	0.44	0.56	4.00	0.50	6.00	4.00	4.62	6.25	4.00	3.00	5.00

Order Information

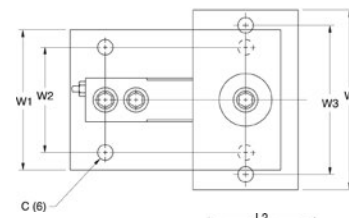
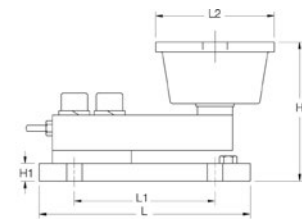
Load Rating (Per Module)	Part #	Price
Mild Steel Single Module (Includes Load Cell)		
50 lb	17825	\$460.00
100 lb	17826	\$460.00
150 lb	17827	\$460.00
250 lb	17828	\$460.00
500 lb	17829	\$609.00
1,000 lb	17830	\$609.00
2,000 lb	17946	\$609.00
2,500 lb	17947	\$609.00
Mild Steel 3-Module Kit		
50 lb	18063	\$1,616.00
100 lb	18064	\$1,616.00
150 lb	18065	\$1,616.00
250 lb	18066	\$1,616.00
500 lb	18067	\$2,088.00
1,000 lb	18068	\$2,088.00
2,000 lb	30413	\$2,088.00
2,500 lb	30412	\$2,088.00
Mild Steel 4-Module Kit		
50 lb	18069	\$2,078.00
100 lb	18070	\$2,078.00
150 lb	18071	\$2,078.00
250 lb	18072	\$2,078.00
500 lb	18073	\$2,645.00
1,000 lb	18074	\$2,645.00
2,000 lb	30414	\$2,645.00
2,500 lb	30411	\$2,645.00
Stainless Steel Single Module (Includes Load Cell)		
500 lb	17950	\$715.00
1,000 lb	17951	\$715.00
2,000 lb	17952	\$715.00
2,500 lb	17953	\$715.00
Stainless Steel 3-Module Kit		
500 lb	30392	\$2,375.00
1,000 lb	30410	\$2,375.00
2,000 lb	30408	\$2,375.00
2,500 lb	30406	\$2,375.00
Stainless Steel 4-Module Kit		
500 lb	30391	\$3,111.00
1,000 lb	30409	\$3,111.00
2,000 lb	30407	\$3,111.00
2,500 lb	30405	\$3,111.00



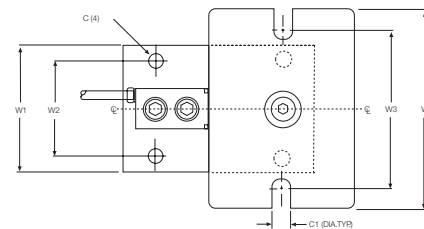
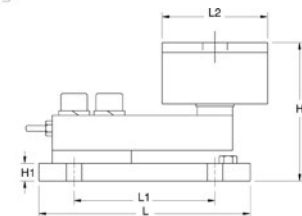
50-250lb



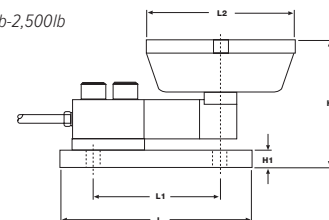
500lb



1,000lb



2,000lb-2,500lb



WEIGH MODULES

RL50219SS-TA

Mini Tank Weighing Module, Stainless Steel



Picture is a representation of actual product.

The RL50219SS-TA weigh module kit provides a cost-effective alternative for your customers' low-range weighing needs. A variety of features makes this kit easy to install and an exceptional choice for various indoor weighing applications where checking requirements are low. Environmentally protected load cells, neoprene isolation/compression mounts and other Rice Lake Weighing Systems components are the keys to this module's outstanding performance.



RL50219SS-TA stainless (50lb-250lb)

Complete Kit Includes

- One JB4SS NEMA Type 4X stainless steel signal trim junction box
- Three or four RL50219SS cantilever beam load cells (50-250 lb models)
- Three or four stainless steel single-ended beam load cells (500 lb models)
- Three or four neoprene isolation/compression mounts
- 25 ft of hostile environment EL147HE SURVIVOR® load cell cable

Standard Features

- Stainless steel modules
- Lower weighing ranges from 50-500 lb per module
- Environmentally protected load cells
- Neoprene isolation/compression mounts allow for minor misalignment, thermal expansion and shock absorption
- Overload stop for 500 lb modules provides durability

Applications

- Small tanks and hoppers
- Conveyor/In-motion weighing
- Small platform scales where minor shock loading may be a problem

WEIGH MODULES RL50219SS-TA

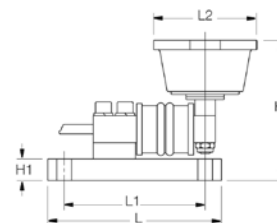
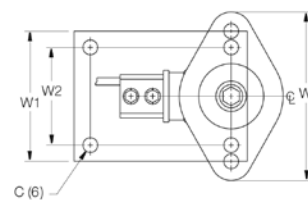
Mini Tank Weighing Module, Stainless Steel

Dimensions

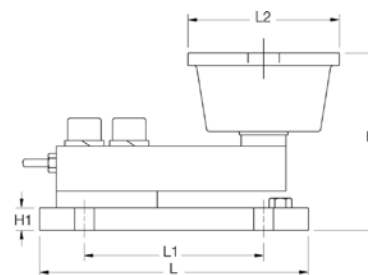
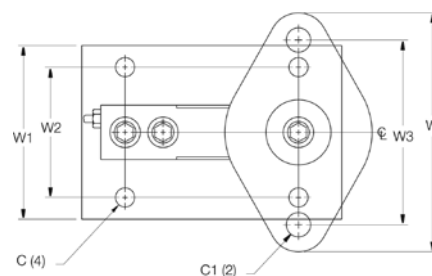
Rated Capacity	C	C1	H	H1	L	L1	L2	W	W1	W2	W3
lb/in											
50-250	0.34	—	3.13	0.50	4.00	3.25	2.38	3.88	3.00	2.25	—
500	0.44	0.56	3.88	0.50	6.00	4.00	3.38	5.50	4.00	3.00	4.13

Order Information

Load Rating (Per Module)	Part #	Price
Single Module (Includes Load Cell)		
50 lb	196829	\$695.00
75 lb	196830	\$695.00
100 lb	196831	\$695.00
150 lb	196832	\$695.00
250 lb	196833	\$695.00
500 lb	17954	\$715.00
3-Module Kit		
50 lb	196840	\$2,364.00
75 lb	196841	\$2,364.00
100 lb	196842	\$2,364.00
150 lb	196843	\$2,364.00
250 lb	196844	\$2,364.00
500 lb	30394	\$2,375.00
4-Module Kit		
50 lb	196845	\$3,058.00
75 lb	197015	\$3,058.00
100 lb	196846	\$3,058.00
150 lb	196848	\$3,058.00
250 lb	196849	\$3,058.00
500 lb	30393	\$3,111.00



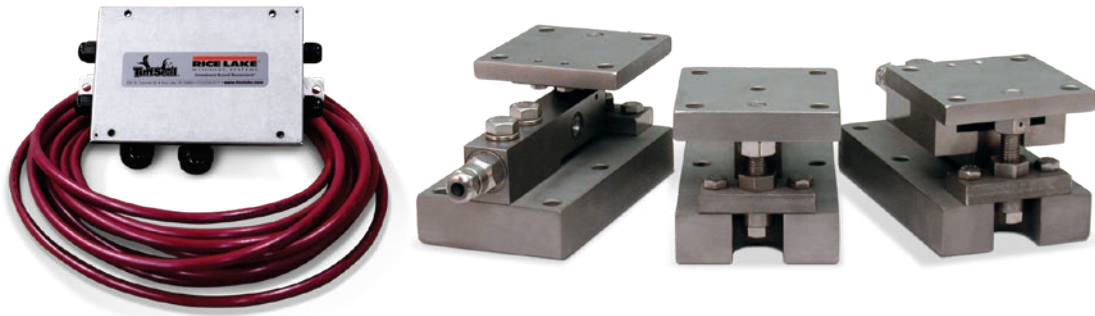
50-250lb



500lb

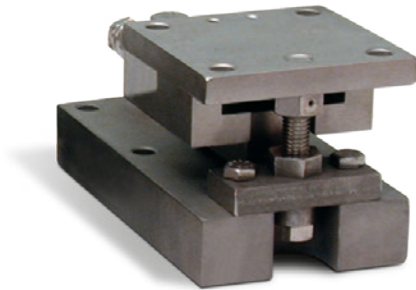
Paramounts® EP

Environmentally Protected, Mild Steel, Light- to Medium-capacity Tank Weighing Systems

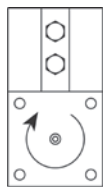


Picture is a representation of actual product.

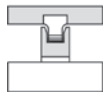
The Paramounts EP system offers all the design advantages of the Paramounts system in applications where the extensive sealing of the SB4 load cell is not necessary. Paramounts EP provides a low-cost alternative for the superior mechanical loading system found in the standard Paramounts. Economy and performance are in one complete weighing system.



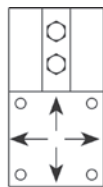
Free-sliding module with Flintec SB5 single-ended beam load cell.



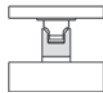
A: FIXED PIN



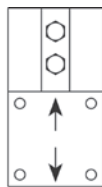
Fixed-pin Mount



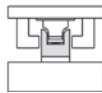
B: FREE SLIDING



Free-sliding Mount



C: SIDE STOP



Side-stop Mount

Complete Kit Includes

- One JB4SS NEMA Type 4X stainless steel signal trim junction box
- One fixed-pin module, one side-stop module, and one or two free-sliding assemblies. Each module is complete with a Flintec SB5 NTEP Certified 1:5000d, Class III, stainless steel environmentally protected load cell
- 25 ft of hostile environment EL147HE SURVIVOR® load cell cable

Standard Features

- Capacities (per module): 1,125-22,500 lb
- NTEP Certified load cells
- Unique design allows for thermal expansion/contraction
- Jacking screw allows empty vessel to be lifted clear of load cell for maintenance
- Unique blind load hole eliminates unwanted side and eccentric loads
- Vessel is free to slide laterally on PTFE-coated surfaces
- Load cell outputs are matched to $\pm 0.07\%$ allowing replacement without further calibration

Applications

- Light- to medium-capacity tanks and hoppers
- Process measurement and control

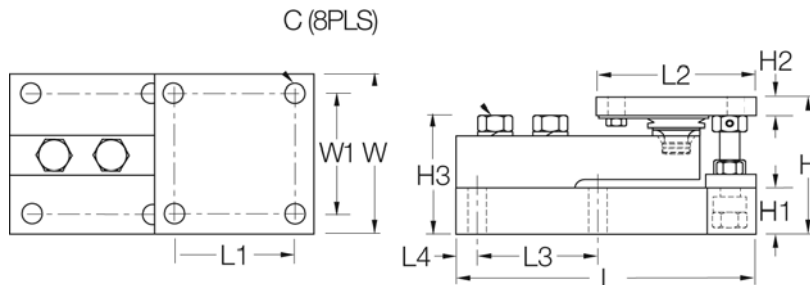
Load Cell Certifications



Available

Paramounts® EP

Environmentally Protected, Mild Steel, Light- to Medium-capacity Tank Weighing Systems



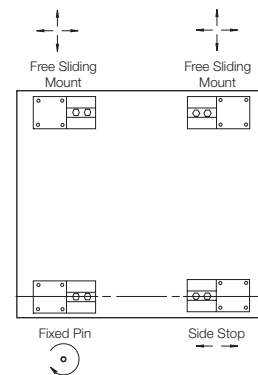
Dimensions

Rated Capacity	C	H	H1	*H2	**H2	H3	L	L1	L2	L3	L4	W	W1
kN/in													
5-23	0.44	3.58	1.25	0.50	0.75	3.06	7.51	3.00	4.00	3.00	0.50	4.00	3.00
50	0.56	4.66	1.50	0.62	1.00	4.09	9.19	3.87	5.00	3.87	0.56	5.00	3.87
100	0.69	6.41	2.00	0.75	1.25	5.73	11.46	4.75	6.00	4.75	0.69	6.00	4.75

* Side-stop and free-sliding units ** Fixed-pin units

Order Information

Load Rating (Per Module)	Part #	Price
NTEP Certified 3-Module Kits		
5 kN	33683	\$2,575.00
10 kN	33682	\$2,575.00
23 kN	33681	\$2,575.00
50 kN	33680	\$2,965.00
NTEP Certified 4-Module Kits		
5 kN	33678	\$3,433.00
10 kN	33677	\$3,433.00
23 kN	33676	\$3,433.00
50 kN	33675	\$4,372.00
Non-NTEP Certified 3-Module Kit		
100 kN	33679	\$4,712.00
Non-NTEP Certified 4-Module Kit		
100 kN	33674	\$5,803.00

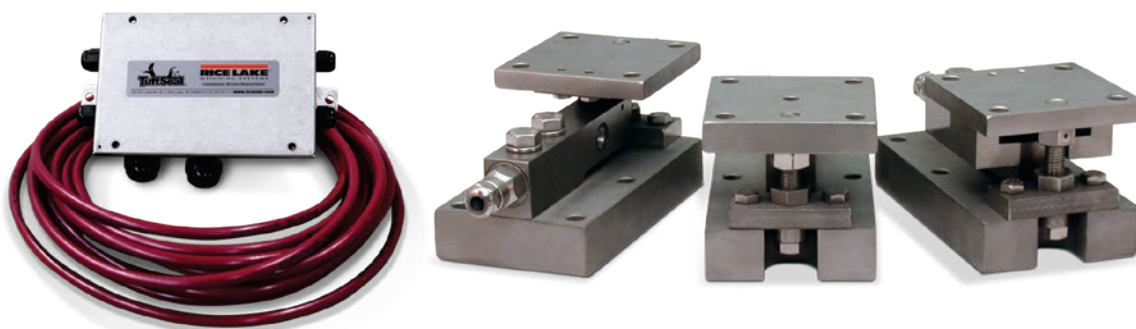


VESSEL ARRANGEMENT

When arranged as illustrated, the vessel is fixed at one corner but is able to slide freely as indicated. This ensures that there is minimal side loading on the cells and at the same time the vessel is self-checking. The unique, patented blind load hole technology used in these mounts introduces the load at the neutral axis of the load cell which helps minimize the effects of side loads.

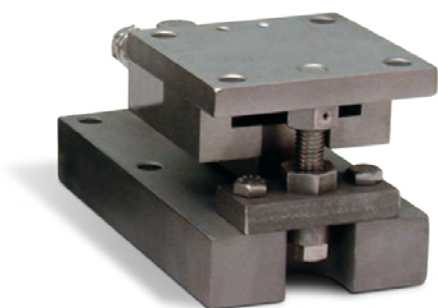
Paramounts® HS

Hermetically Sealed, Mild Steel, Light- to Medium-capacity Tank Weighing Systems

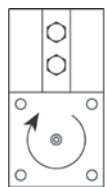


Picture is a representation of actual product.

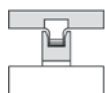
The Paramounts tank weighing system consists of one fixed-pin mount which allows only the top plate to rotate, one side-stop mount which allows the top plate to slide along the cell only, and one or more free-sliding mount(s) which allows the top plate to slide freely in all directions. This system provides self checking while maintaining unparalleled system accuracy.



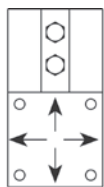
Free-sliding module with Flintec SB4 bending beam load cell.



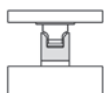
A: FIXED PIN



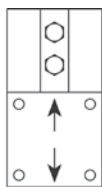
Fixed-Pin Mount



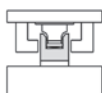
B: FREE SLIDING



Free-Sliding Mount



C: SIDE STOP



Side-Stop Mount

Complete Kit Includes

- One JB4SS NEMA Type 4X stainless steel signal trim junction box
- One fixed-pin module, one side-stop module, and one or two free-sliding assemblies. Each module is complete with a FLINTEC SB4 or SB10 (520 lb) stainless steel hermetically sealed load cell
- 25 ft of hostile environment EL147HE SURVIVOR® load cell cable

Standard Features

- Capacities (per module): 520-22,500 lb
- Unique design allows for thermal expansion/contraction
- Jacking screw allows empty vessel to be lifted clear of load cell for maintenance
- Unique blind load hole eliminates unwanted side and eccentric loads
- Vessel is free to slide laterally on PTFE-coated surfaces
- Load cell outputs are matched to $\pm 0.07\%$ allowing replacement without further calibration

Optional Features

- NTEP Certified load cells available: Capacities 1,125 -11,250 lb

Applications

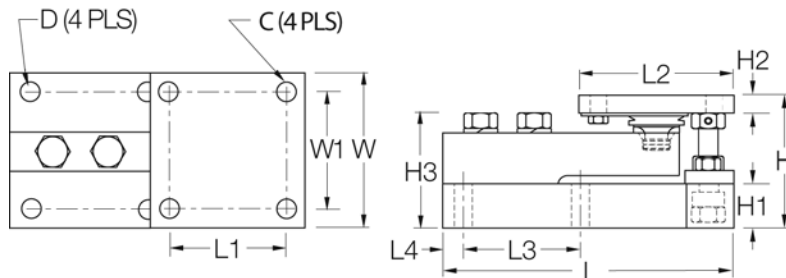
- Light- to medium-capacity tanks and hoppers
- Mixers and blenders
- Process measurement and control

Load Cell Certifications



Paramounts® HS

Hermetically Sealed, Mild Steel, Light- to Medium-capacity Tank Weighing Systems



Dimensions

Rated Capacity	C	D	H	H1	*H2	**H2	H3	L	L1	L2	L3	L4	W	W1
2.3 kN	0.38	0.44	3.49	1.00	0.50	0.75	2.98	7.51	3.00	4.00	3.00	0.50	4.00	3.00
5 kN-23 kN	0.44	0.44	3.58	1.25	0.50	0.75	3.06	7.51	3.00	4.00	3.00	0.50	4.00	3.00
50 kN	0.56	0.56	4.66	1.50	0.62	1.00	4.09	9.19	3.87	5.00	3.87	0.56	5.00	3.87
100 kN	0.69	0.69	6.41	2.00	0.75	1.25	5.73	11.46	4.75	6.00	4.75	0.69	6.00	4.75

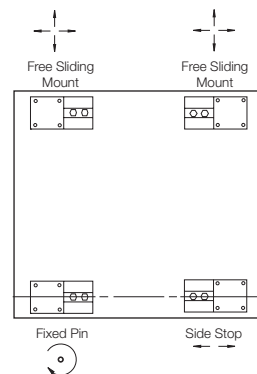
* Side-stop and free-sliding units ** Fixed-pin units

Order Information

Load Rating (Per Module)	Part #	Price
NTEP Certified 3-Module Kit		
5 kN	29871	\$3,280.00
10 kN	29872	\$3,280.00
23 kN	29873	\$3,280.00
50 kN	29874	\$4,000.00
NTEP Certified 4-Module Kit		
5 kN	29875	\$4,415.00
10 kN	29876	\$4,415.00
23 kN	29877	\$4,415.00
50 kN	29878	\$4,975.00

Order Information

Load Rating (Per Module)	Part #	Price
Non-NTEP Certified 3-Module Kit		
2.3 kN	38205	\$4,170.00
5 kN	17977	\$3,175.00
10 kN	17978	\$3,175.00
23 kN	17979	\$3,175.00
50 kN	17980	\$3,842.00
100 kN	17981	\$4,970.00
Non-NTEP Certified 4-Module Kit		
2.3 kN	38206	\$5,560.00
5 kN	17984	\$4,192.00
10 kN	17985	\$4,192.00
23 kN	17986	\$4,192.00
50 kN	17987	\$4,755.00
100 kN	17988	\$6,000.00
**Conduit adapter 1/2-14 NPT	17703	\$50.00

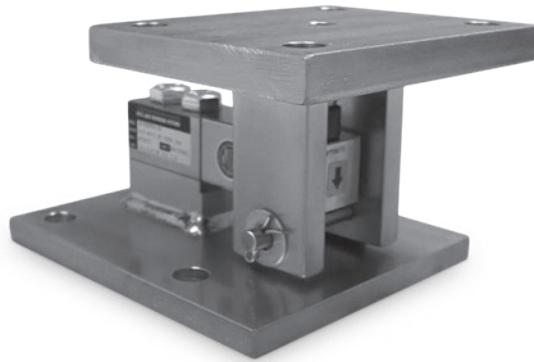


VESSEL ARRANGEMENT

When arranged as illustrated, the vessel is fixed at one corner but is able to slide freely as indicated. This ensures that there is minimal side loading on the cells and at the same time the vessel is self-checking. The unique, patented blind load hole technology used in these mounts introduces the load at the neutral axis of the load cell which helps minimize the effects of side loads.

WEIGH MODULES RLBTM

Mild Steel/Stainless Steel Weigh Modules



Does not include load cell.
Picture is a representation of actual product.

The RLBTM mount was specifically created to take advantage of the improved load introduction accuracy of the ball and cup design. This multi-purpose mount is ideal for both indoor and outdoor applications, and can be used with a variety of single-ended beam load cells. Available in both mild and stainless steel, the RLBTM offers superior accuracy at an affordable price. These assemblies are also quick and easy to install, making the RLBTM the perfect choice for low-capacity, multi-purpose weighing needs.

Dimensions

Rated Capacity	A	B	C	D	E	F	G	H	I
250-5,000 SE*	8.00	5.00	6.00	4.50	3.50	4.75	4.00	7.00	0.63

*SE refers to small envelope

Mild Steel Order Information

Load Rating (Per Module)	Part #	Price
Single Module (Does NOT Include Load Cell)		
250 lb-5,000 lb SE	53059	\$410.00

Stainless Steel Order Information

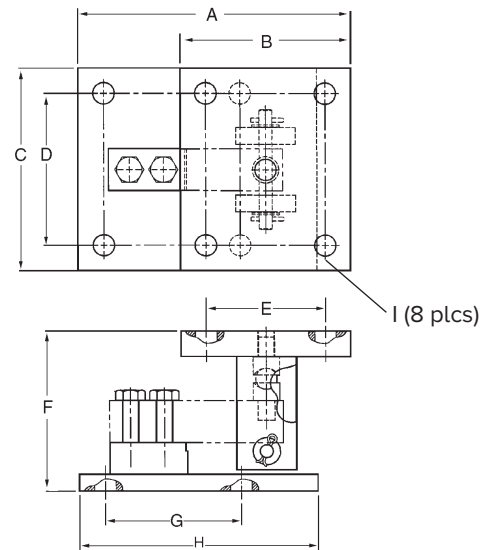
Load Rating (Per Module)	Part #	Price
Single Module (Does NOT Include Load Cell)		
250 lb-5,000 lb SE	53066	\$625.00

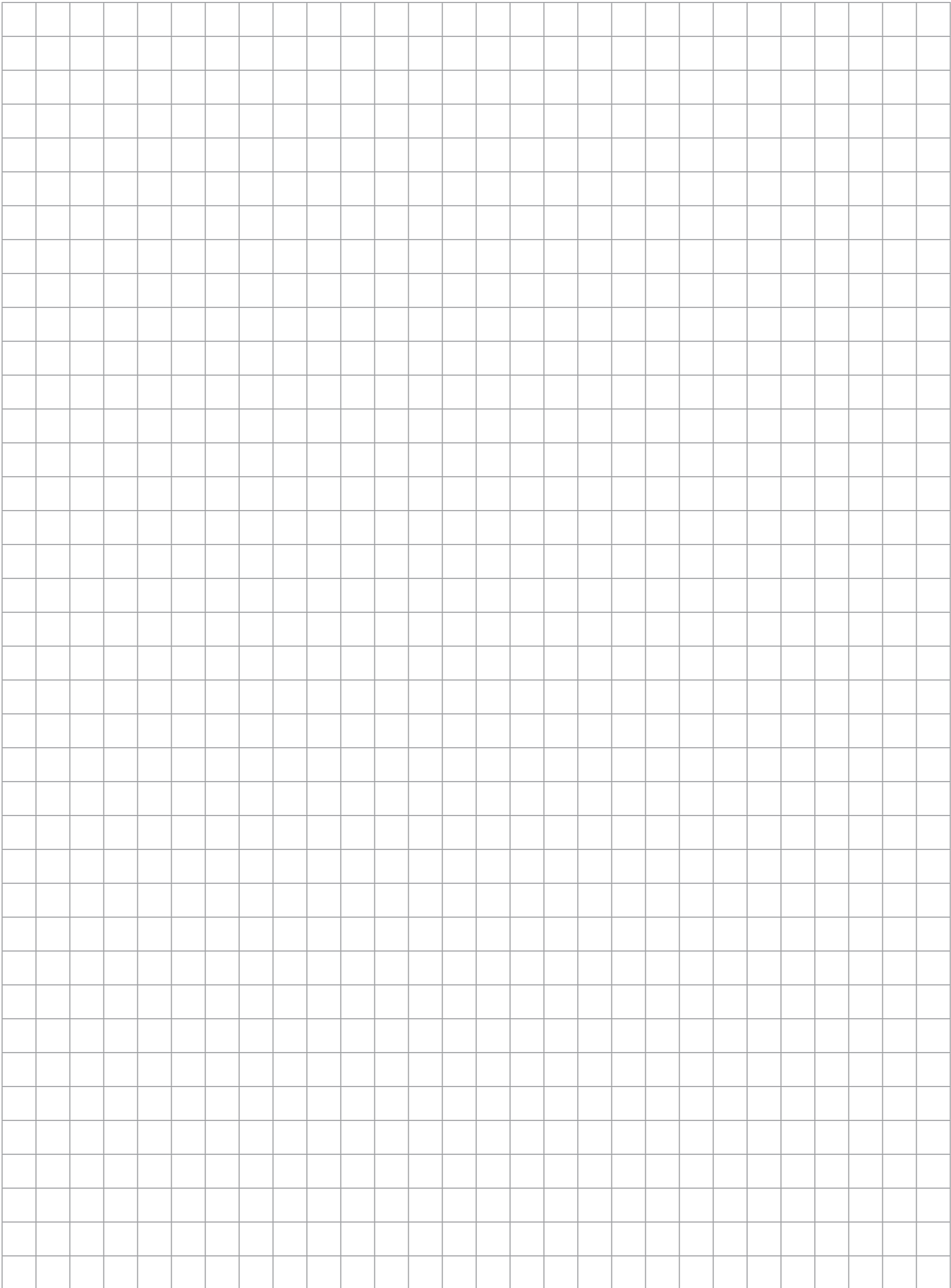
Standard Features

- Capacities (per module): 250-5,000 lb SE
- Zinc plated, mild steel construction or stainless steel construction
- Self-checking, multi-directional movement
- Design incorporates a ball and cup for self centering
- The RLBTM will accommodate a standard shear beam 250-5,000 lb SE load cell that has a threaded load hole. RL30000, RL39123, RL35023, RL35082, RL35083

Applications

- Light- to medium-capacity tanks and hoppers
- Conveyors





WEIGH MODULES

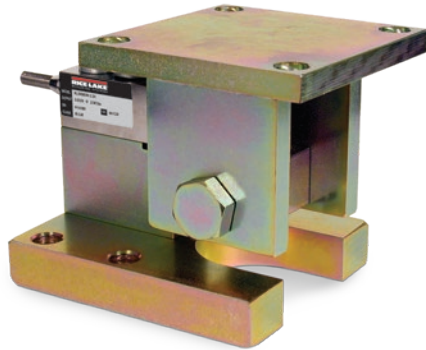
RL1800 Series

Mild Steel/Stainless Steel Weigh Modules



Picture is a representation of actual product

The RL1800 Series mounting assembly kit utilizes several Rice Lake Weighing Systems components to provide an unmatched level of performance in tank and hopper weighing applications. The RL1800 Series kit is ideally suited for indoor and outdoor process control operations with medium-range capacities. Each module combines multi-directional movement and self-checking capabilities. The load cells used are NTEP Certified in capacities of 1,000 lb to 10,000 lb.



Module with RL32018 single-ended beam load cell.

Complete Kit Includes

- One JB4SS NEMA Type 4X stainless steel signal trim junction box
- Three or four RL1800 mild steel or stainless steel compression mounts
- Three or four RL32018 single-ended beam load cells, RL32018S used in stainless steel
- 25 ft of hostile environment EL147HE SURVIVOR® load cell cable

Standard Features

- Capacities (per module): 250-10,000 lb
- NTEP Certified cells in 1,000-10,000 lb capacities, except 3,000 lb
- Zinc plated mild steel/stainless steel construction
- Center-pivoted, tension loading design
- Self-checking, multi-directional movement
- Load is suspended on high-strength bolt instead of wire rope
- Design incorporates spherical washers for self centering
- Stainless steel kit includes RL32018S NTEP Certified load cell

Applications

- Conveyors
- Medium-capacity tanks and hoppers

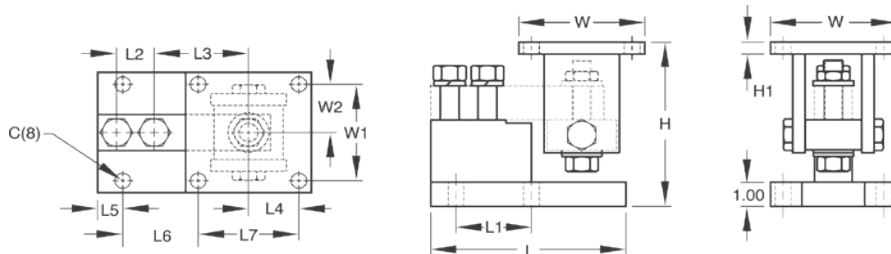
Load Cell Certifications



Except 250lb
and 500lb

RL1800 Series

Mild Steel/Stainless Steel Weigh Modules



Dimensions

Rated Capacity	C	H Min/ Max	H1	L	L1	L2	L3	L4	L5	L6	L7	W	W1	W2
Mild Steel Construction														
lb/in														
250-5,000 SE	0.62	5.25/5.56	0.50	6.00	2.00	1.00	3.00	2.00	0.68	1.94	4.00	5.00	4.00	2.00
5,000 LE-10,000	0.62	6.12/6.62	0.50	7.75	3.00	1.50	3.75	2.00	1.03	2.97	4.00	5.00	4.00	2.00
Stainless Steel Construction														
lb/in														
1,000-4,000	0.62	5.25/5.56	0.50	6.00	2.00	1.00	3.00	2.00	0.68	1.94	4.00	5.00	4.00	2.00
5,000-10,000	0.62	6.12/6.62	0.50	7.75	3.00	1.50	3.75	2.00	1.03	2.97	4.00	5.00	4.00	2.00

Mild Steel Order Information

Load Rating (Per Module)	Part #	Price
Single Module (Does NOT Include Load Cell)		
250 lb-5,000 lb SE	17817	\$380.00
5,000 lb LE-10,000 lb	17819	\$408.00
3-Module Kit		
250 lb*	18075	\$2,290.00
500 lb*	18076	\$2,290.00
1,000 lb	18077	\$2,290.00
2,000 lb	18078	\$2,290.00
2,500 lb	18079	\$2,290.00
3,000 lb	18080	\$2,290.00
4,000 lb	18081	\$2,290.00
5,000 lb SE	18082	\$2,290.00
5,000 lb LE	18083	\$2,640.00
10,000 lb	18084	\$2,640.00
4-Module Kit		
250 lb*	18085	\$2,973.00
500 lb*	18086	\$2,973.00
1,000 lb	18087	\$2,973.00
2,000 lb	18088	\$2,973.00
2,500 lb	18089	\$2,973.00
3,000 lb	18090	\$2,973.00
4,000 lb	18091	\$2,973.00
5,000 lb SE	18092	\$2,973.00
5,000 lb LE	18093	\$3,418.00
10,000 lb	18094	\$3,418.00

SE=Small envelope; LE=Large envelope

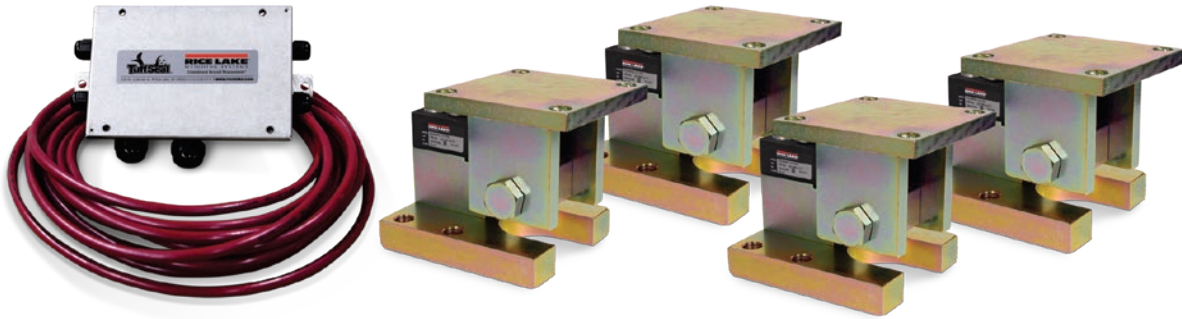
* Non-NTEP Certified using RL30000 or RL32018 load cells.

Stainless Steel Order Information

Load Rating (Per Module)	Part #	Price
Single Module (Does NOT Include Load Cell)		
250 lb-4,000 lb	17818	\$610.00
5,000 lb-10,000 lb	17820	\$645.00
3-Module Kit		
1,000 lb	18095	\$3,100.00
2,000 lb	18096	\$3,100.00
2,500 lb	18097	\$3,100.00
4,000 lb	18099	\$3,100.00
5,000 lb LE	18100	\$3,355.00
10,000 lb	18101	\$3,355.00
4-Module Kit		
1,000 lb	18102	\$4,129.00
2,000 lb	18103	\$4,129.00
2,500 lb	18104	\$4,129.00
4,000 lb	18106	\$4,129.00
5,000 lb LE	18107	\$4,478.00
10,000 lb	18108	\$4,478.00
Dummy Cell		
Dummy load cell 1k-5k SE	22980	\$53.00

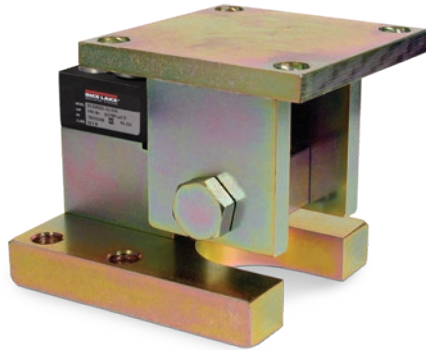
RL1800 Series Painted Load Cell Version

Stainless Steel Weigh Modules



Picture is a representation of actual product

The RL1800 Series mounting assembly kit utilizes several Rice Lake Weighing Systems components to provide an unmatched level of performance in tank and hopper weighing applications. The RL1800 Series kit is ideally suited for indoor and outdoor process control operations with medium-range capacities. Each module combines multi-directional movement and self-checking capabilities. The load cells used are NTEP Certified in capacities of 1,000 lb to 10,000 lb.



Module with RL35023S painted single-ended beam load cell.

Complete Kit Includes

- One JB4SS NEMA Type 4X stainless steel signal trim junction box
- Three or four RL1800 stainless steel compression mounts
- Three or four RL35023S painted stainless steel single-ended beam load cells
- 25 ft of hostile environment EL147HE SURVIVOR® load cell cable

Standard Features

- Capacities (per module): 1,000-10,000 lb
- NTEP Certified cells in 1,000-10,000 lb capacities
- Stainless steel construction
- Center-pivoted, tension loading design
- Self-checking, multi-directional movement
- Load is suspended on high-strength bolt instead of wire rope
- Design incorporates spherical washers for self centering
- Painted load cells for corrosion protection

Applications

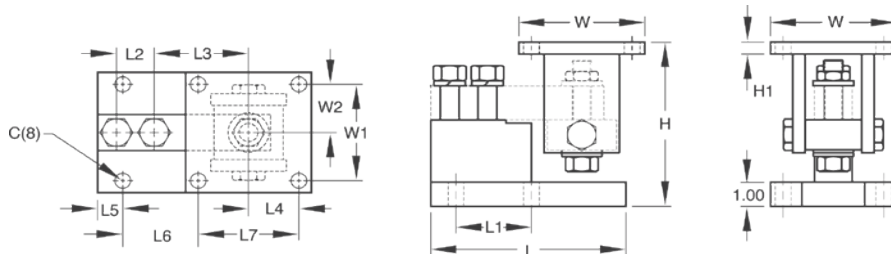
- Conveyors
- Medium-capacity tanks and hoppers

Load Cell Certifications



RL1800 Series Painted Load Cell Version

Stainless Steel Weigh Modules



Dimensions

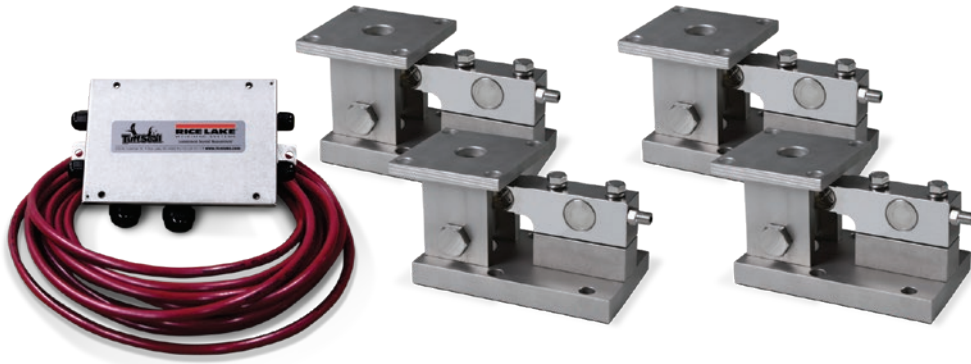
Rated Capacity	C	H Min/ Max	H1	L	L1	L2	L3	L4	L5	L6	L7	W	W1	W2
lb/in														
1,000-4,000	0.62	5.25/5.56	0.50	6.00	2.00	1.00	3.00	2.00	0.68	1.94	4.00	5.00	4.00	2.00
5,000-10,000	0.62	6.12/6.62	0.50	7.75	3.00	1.50	3.75	2.00	1.03	2.97	4.00	5.00	4.00	2.00

Stainless Steel Order Information

Load Rating (Per Module)	Part #	Price
Single Module (Does NOT Include Load Cell)		
1,000 lb-4,000 lb	17818	\$610.00
5,000 lb-10,000 lb	17820	\$645.00
3-Module Kit		
1,000 lb	188177	\$3,085.00
2,000 lb	188179	\$3,085.00
2,500 lb	188181	\$3,085.00
4,000 lb	188183	\$3,085.00
5,000 lb	188185	\$3,340.00
10,000 lb	188187	\$3,340.00
4-Module Kit		
1,000 lb	188178	\$4,112.00
2,000 lb	188180	\$4,112.00
2,500 lb	188182	\$4,112.00
4,000 lb	188184	\$4,112.00
5,000 lb	188186	\$4,450.00
10,000 lb	188188	\$4,450.00

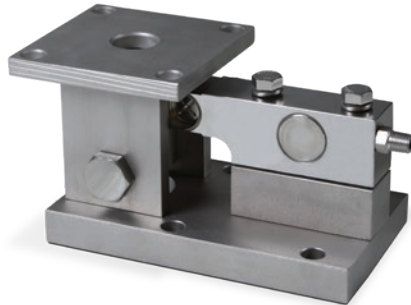
RL1900 Series

Stainless Steel Weigh Modules



Picture is a representation of actual product

The RL1900 Series weigh module kit utilizes several Rice Lake Weighing Systems components to provide an unmatched level of performance in tank and hopper weighing applications. The RL1900 kit is ideally suited for tank, hopper and bin weighing operations with medium-range capacities. Each module combines multi-directional movement and self-checking capabilities. The welded-seal, stainless steel RLSSB load cell withstands washdown environments that may present problems to other cells.



Module with welded-seal RLSSB single-ended beam load cell.

Complete Kit Includes

- One JB4SS NEMA Type 4X stainless steel signal trim junction box
- Three or four RL1900 stainless steel compression mounts
- Three or four RLSSB welded stainless steel single-ended beam load cells
- 25 ft of hostile environment EL147HE SURVIVOR® load cell cable

Standard Features

- NTEP Certified load cells, 1:5000d, Class III single cell
- Capacities (per module): 1,000-10,000lb
- 304 stainless steel construction
- Center-pivoted, tension loading design
- Welded-seal stainless steel load cells, IP67
- Self-checking, multi-directional movement
- Easy load cell replacement
- Load is suspended on high-strength bolt instead of wire rope
- Design incorporates spherical washers

Optional Features

- Also compatible with RTI SSB load cells

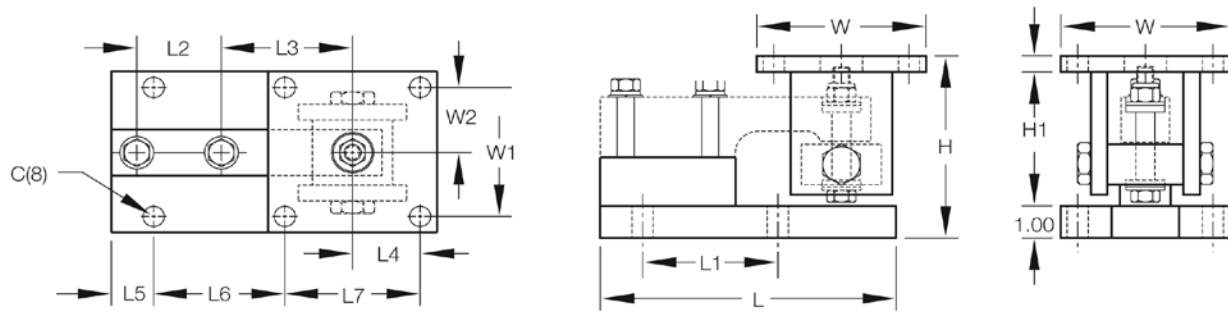
Applications

- Medium-capacity tanks, bins and hoppers
- Washdown applications

Load Cell Certifications



WEIGH MODULES
RL1900 Series
Stainless Steel Weigh Modules



Dimensions

Rated Capacity	C	H Min/Max	H1	L	L1	L2	L3	L4	L5	L6	L7	W	W1	W2
lb/in														
1,000-5,000	0.62	5.38/5.62	0.50	8.75	4.00	2.50	3.88	2.00	1.12	4.00	4.00	5.00	4.00	2.00
10,000	0.81	6.88/7.50	1.00	9.75	5.00	2.63	4.88	2.25	1.00	5.00	4.50	6.00	4.50	2.25

Order Information

Load Rating (Per Module)	Part #	Price
Single Module (Does NOT Include Load Cell)		
1,000 lb-5,000 lb	17841	\$667.00
10,000 lb	17843	\$725.00
3-Module Kit		
1,000 lb	18109	\$4,187.00
2,000 lb	18110	\$4,187.00
5,000 lb	18111	\$4,187.00
10,000 lb	18112	\$4,665.00
4-Module Kit		
1,000 lb	18113	\$5,575.00
2,000 lb	18114	\$5,575.00
5,000 lb	18115	\$5,575.00
10,000 lb	18116	\$6,175.00

WEIGH MODULES

RLTM

Stainless Steel Tank Weigh Modules



Picture is a representation of actual product.

The RLTM weigh module assembly features a stainless steel, welded-seal RL30745 or RL32018S-T NTEP Certified load cell and a fully stainless mount including all associated hardware. Using a rocker pin-loading concept, this design provides accurate weighing in most conditions. Standard features include both overload and overlift protection, making it ideal for most outdoor, low-capacity tank and vessel weighing applications. Each Rice Lake RLTM module is provided standard with one load cell with 30 ft of cable and one mount.

Complete Kit Includes

- One JB4SS NEMA Type 4X stainless steel signal trim junction box
- Three or four Rice Lake RLTM stainless steel mounting assemblies
- Three or four RL30745 or RL32018S-T stainless steel load cells
- 25 ft of hostile environment EL147HE SURVIVOR® load cell cable

Standard Features

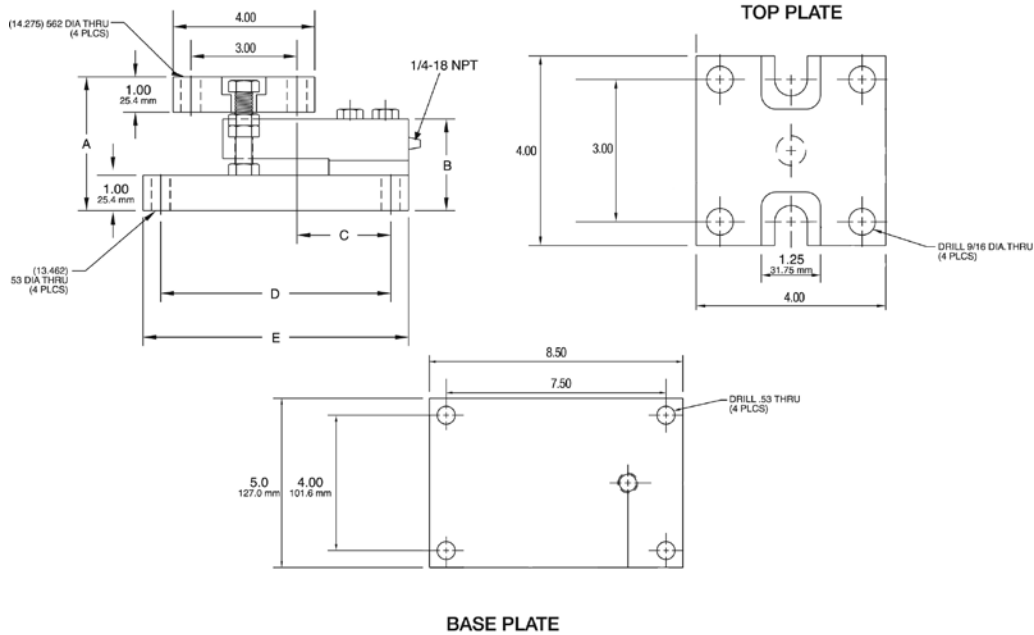
- Capacities: 500-10,000 lb
- Stainless steel
- Overload and over lift protection
- Rocker pin loading
- Welded-seal load cells
- Integral lateral stops
- 30 ft cable on load cells

Applications

- Lower capacity tank and vessel weighing
- Process control and batching

Load Cell Certifications:





Dimensions

Rated Capacity	A	B	C	D	E
500-2,500	3.77	2.59	2.62	6.50	7.50
5,000	3.99	2.83	2.62	6.50	7.50
10,000	4.27	3.08	3.88	7.50	8.50

Order Information

Load Rating (Per Module)	Part #	Price
Single Module (Includes Load Cell)		
500 lb	159288	\$1,057.00
1,250 lb	159289	\$1,057.00
2,500 lb	159290	\$1,057.00
5,000 lb	159291	\$1,277.00
10,000 lb	159292	\$1,277.00
3-Module Kit		
500 lb	162942	\$3,297.00
1,250 lb	162944	\$3,297.00
2,500 lb	162945	\$3,297.00
5,000 lb	162946	\$4,080.00
10,000 lb	162947	\$4,080.00
4-Module Kit		
500 lb	162948	\$4,350.00
1250 lb	162949	\$4,350.00
2500 lb	162950	\$4,350.00
5000 lb	162951	\$5,240.00
10,000 lb	162953	\$5,240.00

WEIGH MODULES

RL9000TWM Series

Stainless Steel, Tank, Hopper and Vessel Weighing Assembly



Picture is a representation of actual product.

The RL9000TWM Series stainless steel weigh module is ideal for use in tank, hopper, vessel and many other applications. The low-profile design offers an economical solution in a competitive marketplace. This rugged, high-precision mount is designed for easy installation and does not require check rods or other stabilizing hardware. The stainless steel construction and welded seal offer additional protection in washdown areas.

Specifications

Full Scale Output:
3 ($\pm 0.1\%$) mV/V

Bridge Resistance:
350 ohms

Material/Finish:
Stainless steel

Operating Temperature:
0° F to 150° F (-17° C to 65° C)

Seal Type:
Welded-seal, IP67

Safe Overload:
150% full scale

Rated Excitation:
5-10 VDC

Insulation Resistance:
5,000 megohms

Non-linearity:
1 k-100 k 0.05% full scale
150 k-450 k 0.1% full scale

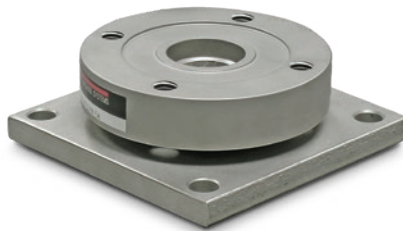
Non-repeatability:
1-100 k=0.02% full scale
150-450 k=0.03% full scale

Cable Length:
25 ft

Deflection at Capacity:
1-15 k=0.002in
20-50 k=0.004in
60-100 k=0.007in
150-200 k=0.007in
250-400 k=0.009in

Cable Color Code:
Green +Excitation
Black -Excitation
White +Signal
Red -Signal

Warranty:
Two-year limited



Assembly with integral
RL9000TWM compression disk load cell.

Complete Kit Includes

- One JB4SS NEMA Type 4X stainless steel signal trim junction box
- Three or four stainless steel mounting assemblies
- 25 ft of hostile environment EL147HE SURVIVOR® load cell cable

Standard Features

- Capacities: 1,000-450,000lb
- Very low profile design
- 3 mV/V output
- Self-centering
- Self-checking assembly
- Offers 100% sideload, 100% uplift and 150% static safe load and 300% ultimate static overload protection
- Stainless steel construction
- Welded seal
- Weighs accurately with as much as a 3° non-parallel load
- Includes 25 ft load cell cable

Optional Features

- Stainless steel top plates (150,000- 450,000 lb have mild steel painted base plate)

Applications

- Tank, hopper or vessel weighing

Load Cell Certifications



RL9000TWM Series

Stainless Steel, Tank, Hopper and Vessel Weighing Assembly

Order information

Load Rating (Per Module)	Part #	Price
Single Module		
1,000 lb	84353	\$710.00
2,500 lb	84354	\$710.00
5,000 lb	84355	\$710.00
10,000 lb	84356	\$710.00
15,000 lb	84357	\$710.00
20,000 lb	84358	\$1,350.00
25,000 lb	84359	\$1,350.00
35,000 lb	84360	\$1,350.00
50,000 lb	84361	\$1,350.00
60,000 lb	84362	\$2,255.00
75,000 lb	84363	\$2,255.00
100,000 lb	84364	\$2,255.00
150,000 lb	84365	\$4,600.00
200,000 lb	84366	\$4,600.00
250,000 lb	84368	\$6,750.00
300,000 lb	84369	\$6,750.00
400,000 lb	84370	\$6,750.00
450,000 lb	84371	\$6,750.00
3-Module Kit		
1,000 lb	98974	\$2,355.00
2,500 lb	98980	\$2,355.00
5,000 lb	98981	\$2,355.00
10,000 lb	98982	\$2,355.00
15,000 lb	98983	\$2,355.00
20,000 lb	98984	\$4,275.00
25,000 lb	98985	\$4,275.00
35,000 lb	98986	\$4,275.00
50,000 lb	98987	\$4,275.00
60,000 lb	98988	\$6,930.00
75,000 lb	98989	\$6,930.00
100,000 lb	98990	\$6,930.00
150,000 lb	98991	\$13,935.00
200,000 lb	98992	\$13,935.00
250,000 lb	98993	\$20,415.00
300,000 lb	98994	\$20,415.00
400,000 lb	98995	\$20,415.00
450,000 lb	98996	\$20,415.00
4-Module Kit		
1,000 lb	98997	\$2,970.00
2,500 lb	98998	\$2,970.00
5,000 lb	98999	\$2,970.00
10,000 lb	99000	\$2,970.00
15,000 lb	99001	\$2,970.00
20,000 lb	99002	\$5,530.00
25,000 lb	99003	\$5,530.00
35,000 lb	99004	\$5,530.00
50,000 lb	99005	\$5,530.00
60,000 lb	99006	\$9,110.00
75,000 lb	99007	\$9,110.00
100,000 lb	99008	\$9,110.00
150,000 lb	99009	\$18,435.00
200,000 lb	99010	\$18,435.00
250,000 lb	99011	\$27,050.00

Load Rating (Per Module)	Part #	Price
300,000 lb	99012	\$27,050.00
400,000 lb	99013	\$27,050.00
450,000 lb	99014	\$27,050.00
Top Plates (Stainless Steel) with bolts		
1,000 lb - 15,000 lb	91207	\$125.00
20,000 lb - 50,000 lb	91210	\$285.00
60,000 lb - 100,000 lb	91211	\$465.00
150,000 lb - 200,000 lb	91213	\$740.00
250,000 lb - 450,000 lb	91215	\$1,710.00
Top Plates (Mild Steel) with bolts		
1,000 lb - 15,000 lb	124758	\$60.00
20,000 lb - 50,000 lb	125141	\$115.00
60,000 lb - 100,000 lb	124759	\$165.00
150,000 lb - 200,000 lb	124760	\$262.00
250,000 lb - 450,000 lb	124761	\$388.00
Dummy Weigh Modules (non-functioning)		
1,000 lb - 10,000 lb	158749	\$100.00
15,000 lb	158750	\$130.00
20,000 lb - 50,000 lb	158752	\$145.00
60,000 lb - 100,000 lb	158753	\$160.00
150,000 lb - 200,000 lb	158754	\$410.00
250,000 lb - 450,000 lb	158755	\$435.00

150,000lb - 450,000lb have mild steel painted base plates

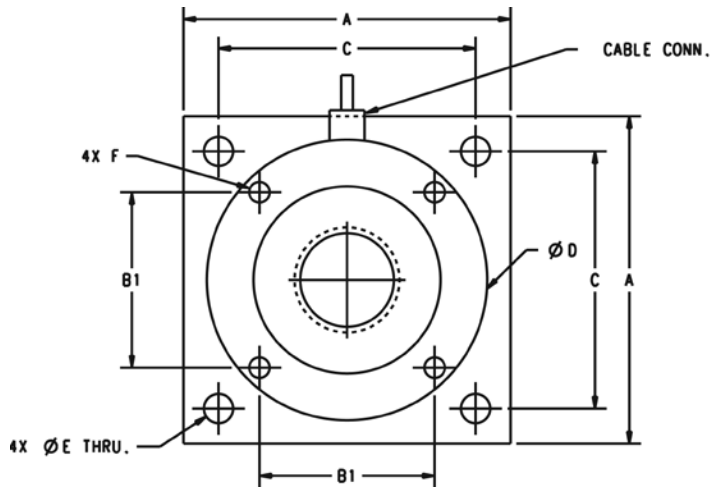
Order information

Capacity	Thickness	Material	Part #	Price
Shims				
1,000 lb - 15,000 lb	0.0625	SST	167001	\$3.00
1,000 lb - 15,000 lb	0.125	SST	167002	\$4.00
1,000 lb - 15,000 lb	0.250	SST	167003	\$11.00
1,000 lb - 15,000 lb	0.0625	MS	167004	\$2.50
1,000 lb - 15,000 lb	0.125	MS	167005	\$2.75
1,000 lb - 15,000 lb	0.250	MS	167006	\$3.25
20,000 lb - 50,000 lb	0.0625	SST	167008	\$4.75
20,000 lb - 50,000 lb	0.125	SST	167009	\$6.75
20,000 lb - 50,000 lb	0.250	SST	167010	\$14.00
20,000 lb - 50,000 lb	0.0625	MS	167011	\$3.00
20,000 lb - 50,000 lb	0.125	MS	167012	\$2.75
20,000 lb - 50,000 lb	0.250	MS	167013	\$4.00
60,000 lb - 100,000 lb	0.0625	SST	167014	\$8.50
60,000 lb - 100,000 lb	0.125	SST	167015	\$17.00
60,000 lb - 100,000 lb	0.250	SST	167016	\$31.00
150,000 lb - 200,000 lb	0.0625	SST	167020	\$10.50
150,000 lb - 200,000 lb	0.125	SST	167021	\$15.50
150,000 lb - 200,000 lb	0.250	SST	167022	\$55.00
250,000 lb - 450,000 lb	0.0625	SST	167026	\$20.00
250,000 lb - 450,000 lb	0.125	SST	167027	\$22.00
250,000 lb - 450,000 lb	0.250	SST	167028	\$70.00

Shims match dimensions of base plate and optional top plate

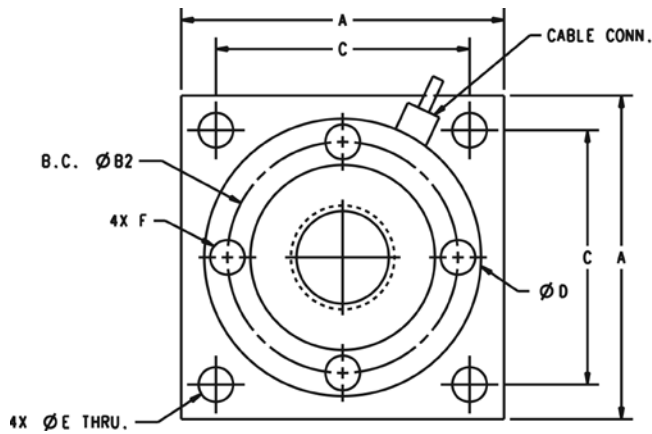
RL9000TWM Series

Stainless Steel, Tank, Hopper and Vessel Weighing Assembly



Dimensions (inches)

Rated Capacity lb/in	A	B1	C	D	E	F	G	H	I	Conduit Adapter
1,000-10,000	4.00	2.00	3.25	3.50	0.40	3/8-16 UNC	1.35	0.375	0.75	N/A
15,000	4.00	2.00	3.25	3.50	0.40	3/8-16 UNC	1.60	0.625	0.75	N/A
20,000-50,000	7.00	3.75	5.50	6.00	0.63	1/2-13 UNC	2.48	0.75	1.30	1/2-14 NPT
60,000-100,000	8.00	4.25	6.50	7.00	0.81	3/4-16 UNC	2.50	1.00	1.30	1/2-14 NPT

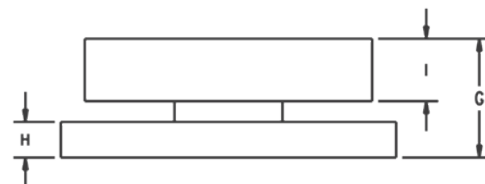
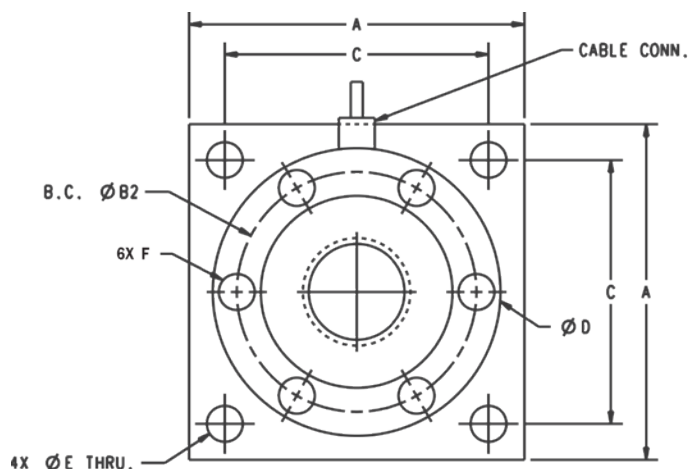


Dimensions (inches)

Rated Capacity lb/in	A	B2	C	D	E	F	G	H	I	Conduit Adapter
150,000-200,000	10.0	7.825	8.00	9.00	1.10	1-14 UNF	4.75	2.00	1.70	1/2-14 NPT

RL9000TWM Series

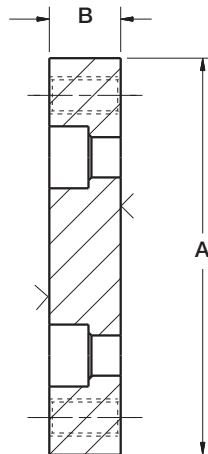
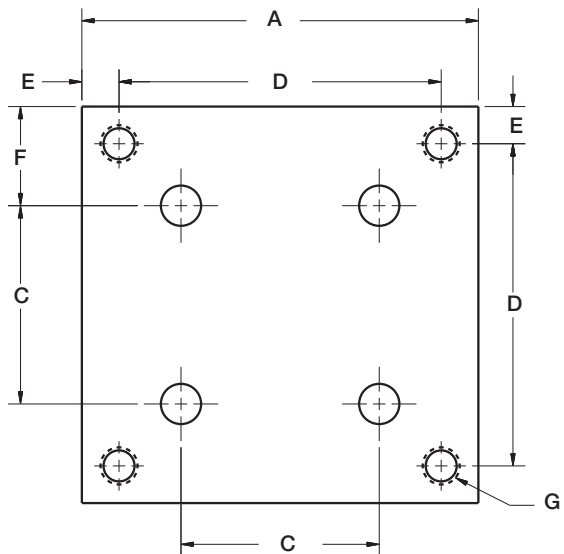
Stainless Steel, Tank, Hopper and Vessel Weighing Assembly



Dimensions

Rated Capacity	A	B2	C	D	E	F	G	H	I	Conduit Adapter
lb/in										
250,000-450,000	11.00	7.75	9.00	9.00	1.30	7/8-14 UNF	6.42	3.00	2.25	1/2-14 NPT

Optional Top Plates

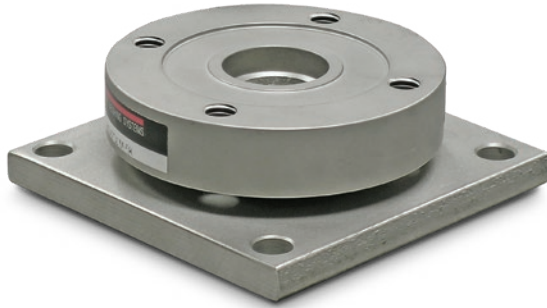


Dimensions

Rated Capacity	A	B	C	D	E	F	G
lb/in							
1,000-15,000	4.00	0.72	2.00	3.25	0.38	1.00	3/8-16 UNC
20,000-50,000	7.00	0.97	3.75	5.50	0.75	1.62	5/8-11 UNC
60,000-100,000	8.00	1.46	4.25	6.50	0.75	1.88	3/4-16 UNF
150,000-200,000	10.00	1.94	5.53	8.00	1.00	2.25	1-14 UNS
250,000-450,000	11.00	2.94	7.75 B.C.	9.00	1.00	1.00	1-1/4-12 UNF

RL9000TWM-HT

Tank, Hopper and Vessel Weigh Module



Picture is a representation of actual product.

The RL9000TWM-HT weigh module is part of the popular RL9000TWM Series weigh module. The RL9000TWM-HT is a high temperature version that is designed to operate in temperatures up to 400°F.

The integral 25ft of PTFE cable complements the RL9000TWM-HT weigh module.

Specifications

- Full Scale Output:**
3 (± 0.1%) mV/V
- Bridge Resistance:**
700 ohms
- Material/Finish:**
Stainless steel
- Safe Overload:**
150% full scale
- Non-linearity:**
0.05% full scale
- Non-repeatability:**
0.02% full scale
- Operating Temperature:**
0° F to 400° F (-17° C to 204° C)
- Insulation Resistance:**
5,000 megohm
- Seal Type:**
Welded seal, IP67
- Deflection at Capacity:**
1-15k =0.002 in
20-50 k =0.004 in
- Cable Length:**
25 ft PTFE jacket
- Cable Color Code:**
Green +Excitation
Black -Excitation
White +Signal
Red -Signal
- Warranty:**
Two-year limited

Standard Features

- Capacities: 1,000-50,000 lb
- Very low profile design
- 3 mV/V output
- Self-centering
- Self-checking assembly
- Offers 100% side load, 100% uplift and 150% safe load and 300% ultimate overload protection
- Stainless steel construction
- Welded seal
- Weighs accurately with as much as a 3° non-parallel load
- Integral 25 ft PTFE cable

Optional Features

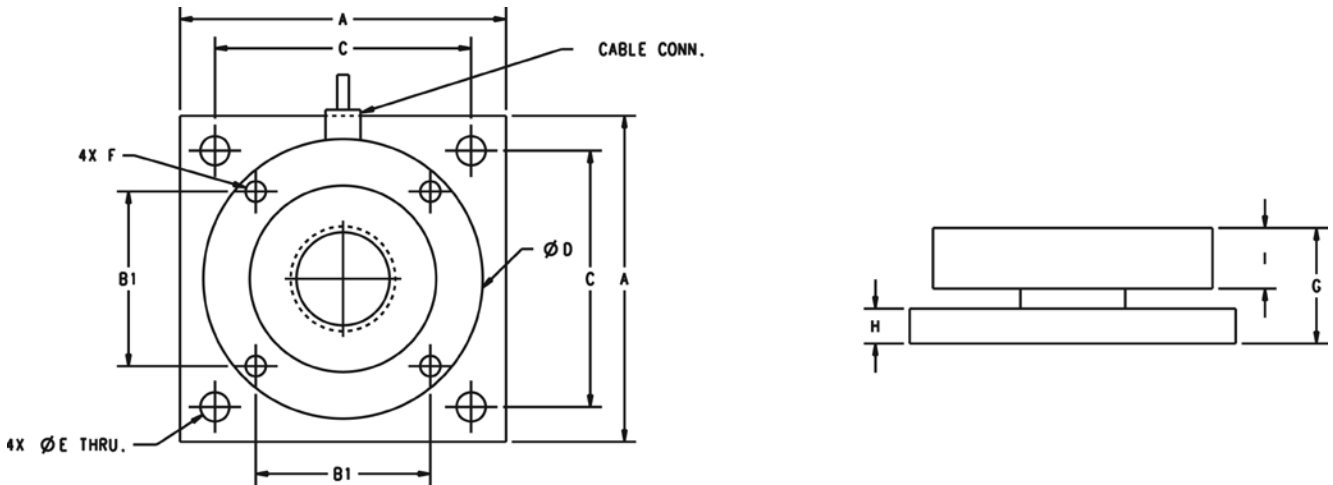
- Stainless steel top plates
- Higher capacities available upon request

Applications

- Tank, hopper or vessel weighing
- High temperature applications

WEIGH MODULES
RL9000TWM-HT
 Tank, Hopper and Vessel Weigh Module

WEIGH MODULES



Dimensions

Rated Capacity	A	B1	C	D	E	F	G	H	I	Conduit Adapter
lb/in										
1,000-10,000	4.00	2.00	3.25	3.50	0.40	3/8-16 UNC	1.35	0.375	0.75	—
15,000	4.00	2.00	3.25	3.50	0.40	3/8-16 UNC	1.60	0.625	0.75	—
20,000-50,000	7.00	3.75	5.50	6.00	0.63	1/2-13 UNC	2.48	0.750	1.30	1/2-14NPT

Order Information

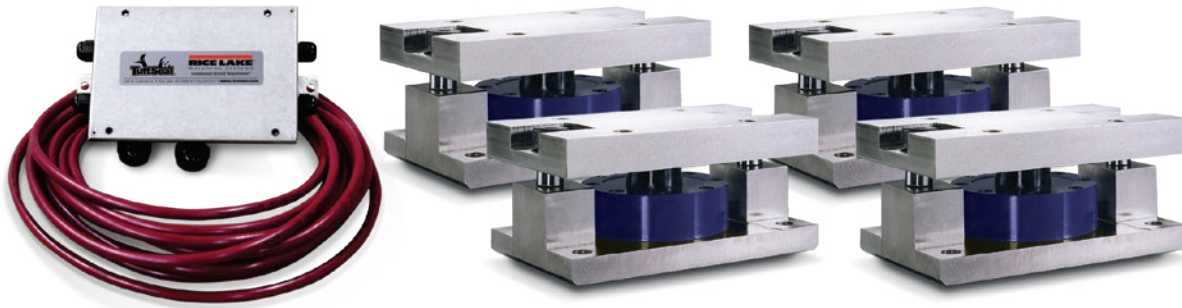
Load Rating (per module)	Part #	Price
Single Module		
1,000 lb	117050	\$1,225.00
2,500 lb	117051	\$1,225.00
5,000 lb	117052	\$1,225.00
10,000 lb	117140	\$1,225.00
15,000 lb	117053	\$1,225.00
20,000 lb	117054	\$1,945.00
25,000 lb	117055	\$1,945.00
35,000 lb	117056	\$1,945.00
50,000 lb	117057	\$1,945.00
Top Plates (Stainless Steel) with bolts		
1,000 lb-15,000 lb	91207	\$125.00
20,000 lb-50,000 lb	91210	\$285.00
Top Plates (Mild Steel) with bolts		
1,000-15,000 lb	124758	\$60.00
20,000-50,000 lb	125141	\$115.00

www.ricelake.com | Phone: 800-472-6703

RICE LAKE

RL2200 Series

Tank, Hopper and Vessel Weighing Assembly



Picture is a representation of actual product

The RL2200 Series mounts are ideal for use in tank, hopper, vessel and many other applications. The low-profile design allows for economical solutions in a competitive marketplace. This rugged, high-precision mount is designed for easy installation and does not require check rods or other stabilizing hardware. The RL2200 mount has the added feature of self centering, allowing for side loads without sacrificing performance.

Specifications

Full Scale Output:

4.0 mV/V
2.0 mV/V (2,500 lb)

Bridge Resistance:

350 ohms nominal

Material/Finish:

High-alloy steel, painted

Safe Overload:

150% full scale

Rated Excitation:

5-10 VDC (20 V maximum)

Nonlinearity:

0.05% full scale

Hysteresis:

0.03% full scale

Temperature:

Compensated range
15°F to 115°F (-9°C to 46°C)

Insulation Resistance:

5,000 megohm

Seal Type:

Environmentally sealed

Cable Length:

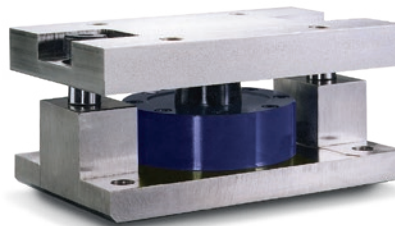
30 ft

Cable Color Code:

Red +Excitation
Black -Excitation
White +Signal
Green -Signal

Warranty:

Two-year limited warranty



Assembly with integral RL2200 compression disk load cell.

Complete Kit Includes

- One JB4SS NEMA Type 4X stainless steel signal trim junction box
- Three or four RL2200 high-alloy, zinc-plated steel mounting assemblies
- Three or four RL2200 compression disk load cells
- 25 ft of hostile environment EL147HE SURVIVOR® load cell cable

Standard Features

- Capacities: 2,500-50,000 lb
- Low-profile design
- High 4 mV/V output (2 mV/V, 2,500 lb)
- Self-centering in all directions, able to withstand excessive side loads
- Self-checking assembly

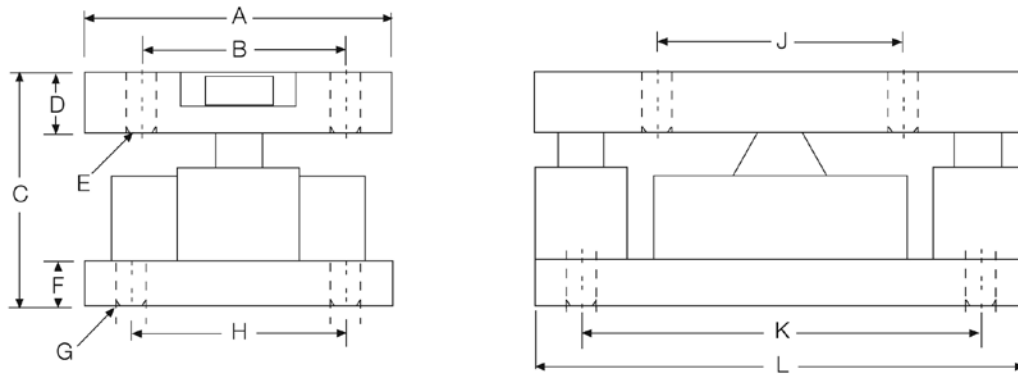
Applications

- Tank, hopper or vessel weighing
- Belt or roller conveyors
- Scale platforms and screw feeders

WEIGH MODULES

RL2200 Series

Tank, Hopper and Vessel Weighing Assembly



Dimensions

Rated Capacity	A	B	C	D	E	F	G	H	J	K	L
lb/in											
2,500-10,000	5.00	3.50	4.00	1.00	0.52	1.0	0.52	3.50	4.00	6.50	8.00
25,000-50,000	6.00	4.50	5.00	1.25	0.78	1.0	0.78	4.50	5.00	7.75	10.0

Order Information

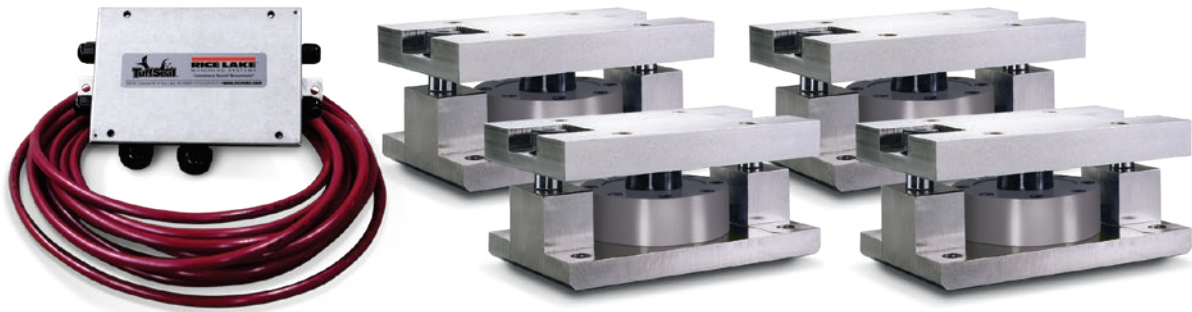
Load Rating (Per Module)	Part #	Price
Single Module		
2,500 lb	76656	\$1,870.00
5,000 lb	45849	\$1,870.00
10,000 lb	45848	\$1,870.00
25,000 lb	45847	\$2,517.00
50,000 lb	45846	\$2,517.00
3-Module Kit		
2,500 lb	76897	\$5,595.00
5,000 lb	42811	\$5,595.00
10,000 lb	42812	\$5,595.00
25,000 lb	42813	\$7,219.00
50,000 lb	42814	\$7,219.00
4-Module Kit		
2,500 lb	76898	\$7,398.00
5,000 lb	42815	\$7,398.00
10,000 lb	42816	\$7,398.00
25,000 lb	42817	\$8,565.00
50,000 lb	42818	\$8,565.00

Replacement Load Cell Order Information

Load Rating (Per Module)	Part #	Price
2,500 lb	76654	\$1,325.00
5,000 lb	45708	\$1,325.00
10,000 lb	45709	\$1,325.00
25,000 lb	45710	\$1,669.00
50,000 lb	45711	\$1,669.00

RL2200SS Series

Stainless Steel, Tank, Hopper and Vessel Weighing Assembly



Picture is a representation of actual product.

The RL2200SS Series mounts are ideal for use in tank, hopper, vessel and many other applications. The low-profile design allows for economical solutions in a competitive marketplace. This rugged, high-precision mount is designed for easy installation and does not require check rods or other stabilizing hardware. The RL2200SS mount has the added feature of self centering, allowing for side loads without sacrificing performance.

Specifications

Full Scale Output:

4.0 mV/V
2.0 mV/V (2,500 lb)

Bridge Resistance:

350 ohms nominal

Material/Finish:

Stainless steel

Safe Overload:

150% full scale

Rated Excitation:

5-10 VDC (20 V maximum)

Nonlinearity:

0.05% full scale

Hysteresis:

0.03% full scale

Temperature:

Compensated range:
15°F to 115°F (9°C to 46°C)

Insulation Resistance:

5,000 megohm

Seal Type:

Hermetically sealed, IP66/68

Cable Length:

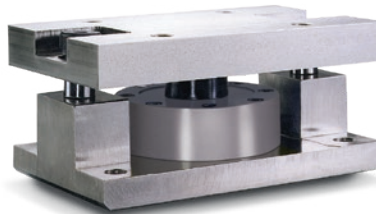
30 ft

Cable Color Code:

Red +Excitation
Black -Excitation
White +Signal
Green -Signal

Warranty:

Two-year limited warranty



Assembly with integral RL2200SS compression disk load cell.

Complete Kit Includes

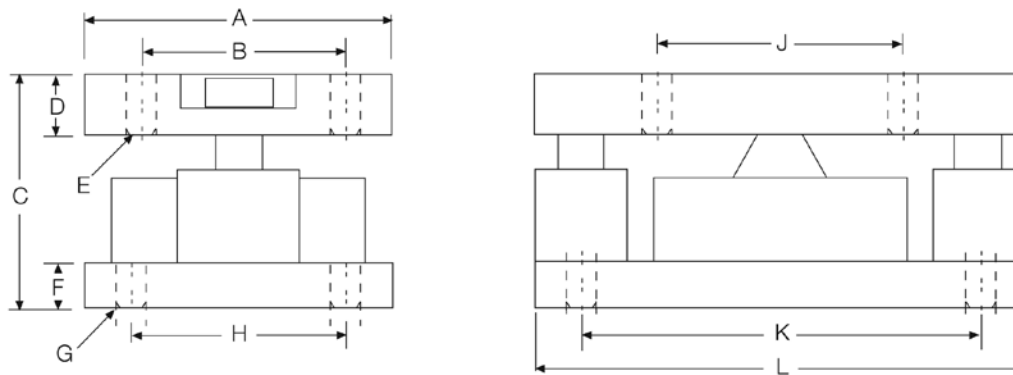
- One JB4SS NEMA Type 4X stainless steel signal trim junction box
- Three or four RL2200 stainless steel mounting assemblies
- Three or four RL2200SS stainless steel, hermetically sealed, compression disk load cells
- 25 ft of hostile environment EL147HE SURVIVOR® load cell cable

Applications

- Tank, hopper or vessel weighing
- Belt or roller conveyors
- Scale platforms and screw feeders

RL2200SS Series

Stainless Steel, Tank, Hopper and Vessel Weighing Assembly



Dimensions

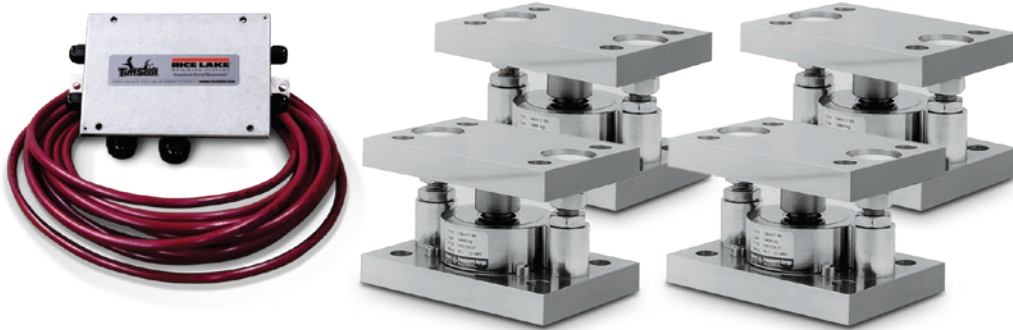
Rated Capacity	A	B	C	D	E	F	G	H	J	K	L
lb/in											
2,500-10,000	5.00	3.50	4.00	1.00	0.52	1.00	0.52	3.50	4.00	6.50	8.00
25,000-50,000	6.00	4.50	5.00	1.25	0.78	1.00	0.78	4.50	5.00	7.75	10.00

Order Information

Load Rating (Per Module)	Part #	Price
Single Module		
2,500 lb	76657	\$2,708.00
5,000 lb	45845	\$2,708.00
10,000 lb	45844	\$2,708.00
25,000 lb	45843	\$4,580.00
50,000 lb	45842	\$4,580.00
3-Module Kit		
2,500 lb	76899	\$7,695.00
5,000 lb	46478	\$7,695.00
10,000 lb	46479	\$7,695.00
25,000 lb	46480	\$13,409.00
50,000 lb	46481	\$13,409.00
4-Module Kit		
2,500 lb	76900	\$10,176.00
5,000 lb	46482	\$10,176.00
10,000 lb	46483	\$10,176.00
25,000 lb	46484	\$17,490.00
50,000 lb	46485	\$17,490.00

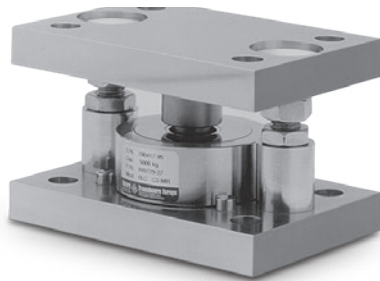
Replacement Load Cell Order Information

Load Rating (Per Module)	Part #	Price
2,500 lb	76655	\$1,563.00
5,000 lb	45712	\$1,563.00
10,000 lb	45713	\$1,563.00
25,000 lb	45714	\$2,565.00
50,000 lb	45715	\$2,565.00



Picture is a representation of actual product.

The RLC self-aligning silo mount, together with the RLC load cell family, are an ideal solution for process control, batch weighing, silo/hopper and belt scale applications. The RLC mount incorporates a removable rocker pin design that uses hardened stainless steel components on all load-bearing surfaces. The fully stainless steel construction guarantees long-term reliability.



Module with hermetically sealed RLC compression canister load cell.

Complete Kit Includes

- One JB4SS NEMA Type 4X stainless steel signal trim junction box
- Three or four RLC stainless steel compression mounts
- Three or four RLC stainless steel hermetically sealed compression disk load cells
- 25 ft of hostile environment EL147HE SURVIVOR® load cell cable

Standard Features

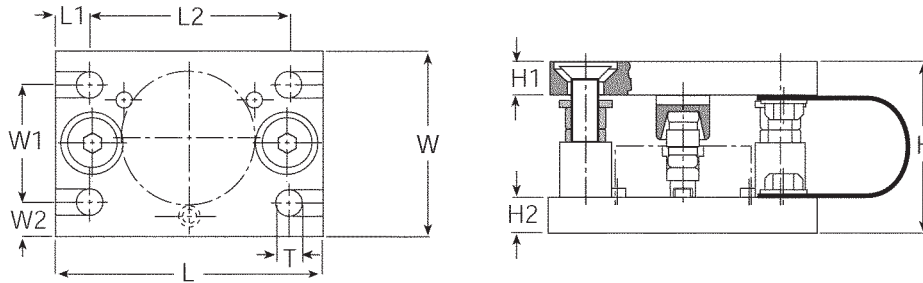
- Capacities (per module): 0.5-5 t
- Matched output load cells eliminate trimming
- 304 stainless steel construction
- Rocker pin design allows movement in all directions
- Hermetically sealed, IP66/68 stainless steel load cells
- Easy load cell replacement
- Integral jacking/shipping bolts

Applications

- Medium-capacity tanks, bins and hoppers
- Washdown applications
- Process control and batch weighing

Load Cell Certifications





Dimensions

Rated Capacity	H	H1	H2	L	L1	L2	T	W	W1	W2
ton/mm										
0.5-1	80.0	20.0	15.0	150.0	15.0	120.0	14 (top plate)	100.0	70.0	15.0
2-5	100.0	20.0	20.0	160.0	20.0	120.0	13.8 (bottom plate)	110.0	70.0	20.0

Order Information

Load Rating (Per Module)	Part #	Price
Single Module (Includes Load Cell)		
0.5t	36401	\$1,198.00
1t	36402	\$1,198.00
2t	36403	\$1,383.00
3.5t	36404	\$1,383.00
5t	36405	\$1,383.00
3-Module Kit		
0.5t	36406	\$3,885.00
1t	36407	\$3,885.00
2t	36408	\$4,065.00
3.5t	36409	\$4,065.00
5t	36410	\$4,065.00
4-Module Kit		
0.5t	36411	\$5,083.00
1t	36412	\$5,083.00
2t	36413	\$5,422.00
3.5t	36414	\$5,422.00
5t	36415	\$5,422.00

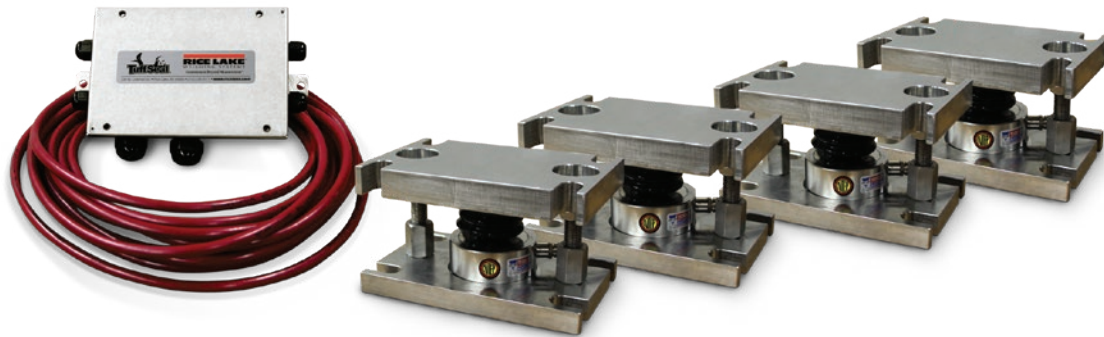
Replacement Rocker Pin Set*

Load Rating (Per Module)	Part #	Price
250 kg - 1t	170875	\$132.00
2t - 5t	170876	\$132.00
10t	170877	\$132.00

*Kit includes upper cup, rocker pin and grease

220 Universal Mount

Stainless Steel Weigh Modules, VPG Tedeá-Huntleigh



Picture is a representation of actual product

The 220 Universal Mount is designed to be used with the VPG® Tedeá-Huntleigh Model 220 load cell. The mount incorporates built-in jacking bolts to prevent damage to the load cell during installation. Its stainless steel construction is designed to be used in the harshest of environments.

Specifications

Full Scale Output:
2.0 mV/V

Bridge Resistance:
1,000 ohms, nominal

Material/Finish:
Stainless steel

Operating Temperature Range:
14°F to 104°F (-10°C to 40°C)

Seal Type:
Hermetically sealed, IP68

Safe Overload:
150% at center loading point, full scale

Rated Excitation:
5-10 VDC (15 V maximum)

Combined Error:
0.020% full scale

Insulation Resistance:
2,000 megaohm

Cable Length:
5,000 kg=5 m
10,000-20,000 kg=10 m
30,000 kg=20 m

Cable Color Code:
Blue +Excitation
Black -Excitation
White +Signal
Red -Signal
Green +Sense
Grey -Sense

Warranty:
One-year limited warranty



Module with hermetically sealed 220 compression load cell.

Complete Kit Includes

- One JB4SS NEMA Type 4X stainless steel signal trim junction box
- Three or four 220 stainless steel compression mounts
- Three or four 220 stainless steel hermetically sealed compression disk load cells
- 25 ft of hostile environment EL147HE SURVIVOR® load cell cable

Standard Features

- Capacities (per module): 5,000-30,000 kg
- Matched output load cells eliminate trimming
- 304 stainless steel construction
- Hermetically sealed, IP68 stainless steel load cells
- Easy load cell replacement
- Integral jacking/shipping bolts

Applications

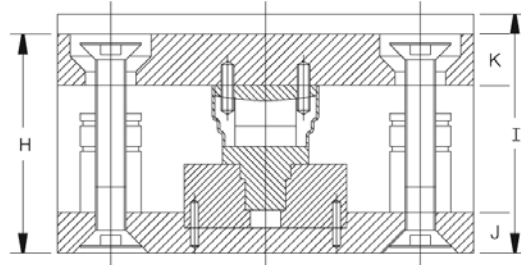
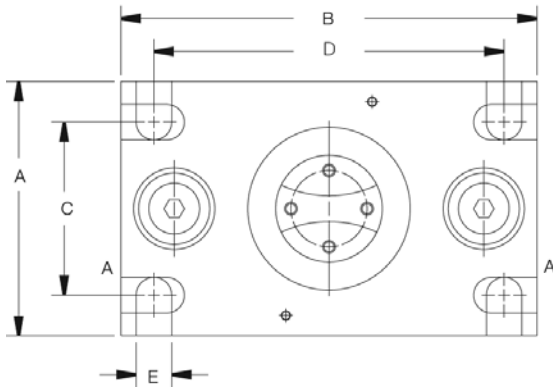
- Medium- to high-capacity tanks, bins and hoppers
- Washdown applications
- Process control and batch weighing

Load Cell Certifications



220 Universal Mount

Stainless Steel Weigh Modules, VPG Tedeo-Huntleigh



Dimensions

Rated Capacity	A	B	C	D	E	H	I	J	K
kg/mm									
5,000-10,000	127.0	203.0	90.0	170.0	18.0	107.0	118.0	19.1	25.4
20,000-30,000	152.0	245.0	115.0	208.0	24.0	148.0	156.0	31.8	25.4

Order Information

Load Rating (Per Module)	Part #	Price
3-Module Kit (Includes Load Cell)		
5,000 kg	66208	\$6,355.00
10,000 kg	66209	\$6,355.00
20,000 kg	66210	\$7,200.00
30,000 kg	66211	\$7,200.00
4-Module Kit (Includes Load Cell)		
5,000 kg	66212	\$8,369.00
10,000 kg	66213	\$8,369.00
20,000 kg	66214	\$9,672.00
30,000 kg	66215	\$9,672.00

Replacement Mount Parts

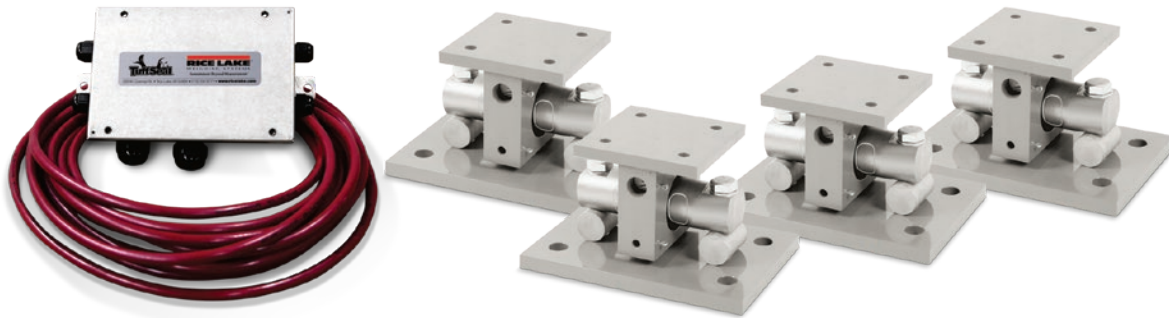
Load Rating (Per Module)	Part #	Price
Saddle 5 t-10 t	170879	\$132.00
Rolling cylinder 5 t-10 t	170882	\$111.00
Load adaptor 5 t	170880	\$117.00
Load adaptor 10 t	170881	\$165.00
Rubber boot 5 t-10 t	171211	\$37.00
Saddle 20 t-30 t	170884	\$127.00
Rolling cylinder 20 t-30 t	170885	\$58.00
Load adaptor 20 t-30 t	170883	\$111.00
Rubber boot 20 t-30 t	171212	\$32.00

NEW

WEIGH MODULES

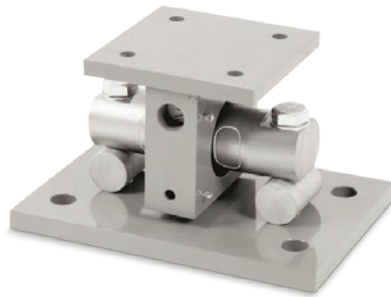
EZ Mount 1 with RL72020

Mild Steel Weigh Modules, Rice Lake Weighing Systems



Picture is a representation of actual product.

The EZ Mount 1 Series weigh modules utilize the double-ended beam design with an articulating top plate to provide superior accuracy in any loading condition. The double-ended beam design means there is less cumbersome hardware and each module has a lower profile than modules of different configurations. NTEP Certified and FM approved RL72020 Series load cells give you accuracy and dependability in many applications, including intrinsically safe and explosion proof areas.



Module with RL72020 double-ended shear beam load cell.

Complete Kit Includes

- One JB4SS NEMA Type 4X stainless steel signal trim junction box
- Three or four EZ Mount 1 mild steel compression mounts
- Three or four RL72020 double-ended shear beam load cells
- 25 ft of hostile environment EL147HE SURVIVOR® load cell cable

Standard Features

- Capacities (per module): 5,000-250,000 lb
- NTEP Certified load cells
- Unique sliding pin design compensates for thermal expansion/contraction
- Self-checking
- Easy load cell replacement
- Simplified design allows bolting directly to tank and floor
- Center-loaded double-ended shear beam design
- Low-profile design
- Painted mild steel construction

Optional Features

- Kits available with VPG® Revere 5103 load cell, capacities in 5,000-150,000 lb

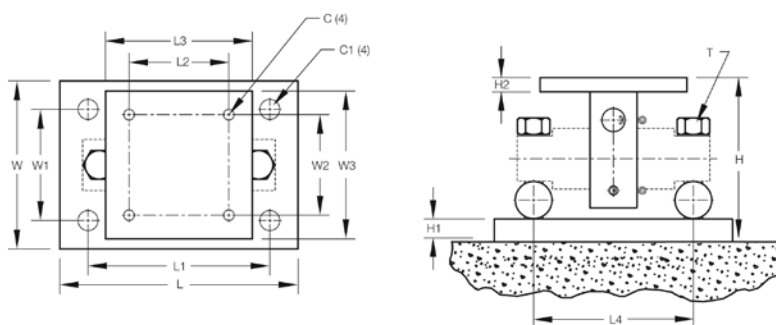
Applications

- Medium- to heavy-capacity tank and hopper weighing applications

Load Cell Certifications

EZ Mount 1 with RL72020

Mild Steel Weigh Modules, Rice Lake Weighing Systems



Dimensions

Rated Capacity	C	C1	H	H1	H2	L	L1	L2	L3	L4	T	W	W1	W2	W3
lb/in															
5,000-20,000	0.56	1.06	5.31	0.75	0.50	11.00	8.00	3.00	6.00	6.87	5/8-18 UNF	7.50	4.00	3.00	6.00
30,000-60,000	0.68	1.19	8.43	1.00	0.75	15.00	11.50	5.12	8.00	8.50	1-14 UNS	10.00	6.00	5.12	8.00
100,000	0.81	1.38	10.37	1.25	1.25	18.00	14.00	7.50	10.00	9.50	1-14 UNS	12.00	9.00	7.50	10.00
150,000	0.81	1.38	10.37	1.25	1.25	18.00	14.00	7.50	10.00	9.50	1-14 UNS	12.00	9.00	7.50	10.00
200,000-250,000	1.06	1.88	16.75	2.00	2.00	26.00	20.00	9.00	12.00	13.00	1 1/2-12 UNS	12.00	6.00	9.00	12.00

Order Information

Load Rating (Per Module)	Part #	Price
Single Module (Does NOT Include Load Cell)		
5,000 lb - 20,000 lb	17823	\$345.00
30,000 lb - 60,000 lb	17824	\$927.00
100,000 lb	17850	\$1,277.00
150,000 lb	29012	\$1,277.00
200,000 lb - 250,000 lb	26068	\$2,915.00
3-Module Kit		
5,000 lb	208881	\$3,265.00
10,000 lb	208882	\$3,265.00
20,000 lb	208883	\$3,265.00
30,000 lb	208884	\$5,210.00
40,000 lb	208885	\$5,210.00
50,000 lb	208886	\$5,210.00
60,000 lb	208887	\$5,210.00
100,000 lb	208888	\$8,432.00
150,000 lb	208889	\$8,432.00
4-Module Kit		
5,000 lb	208892	\$4,240.00
10,000 lb	208893	\$4,240.00
20,000 lb	208894	\$4,240.00
30,000 lb	208895	\$6,577.00
40,000 lb	208896	\$6,577.00
50,000 lb	208897	\$6,577.00
60,000 lb	208898	\$6,577.00
100,000 lb	208899	\$10,955.00
150,000 lb	208900	\$10,955.00

VPG Reverse 5103 Order Information

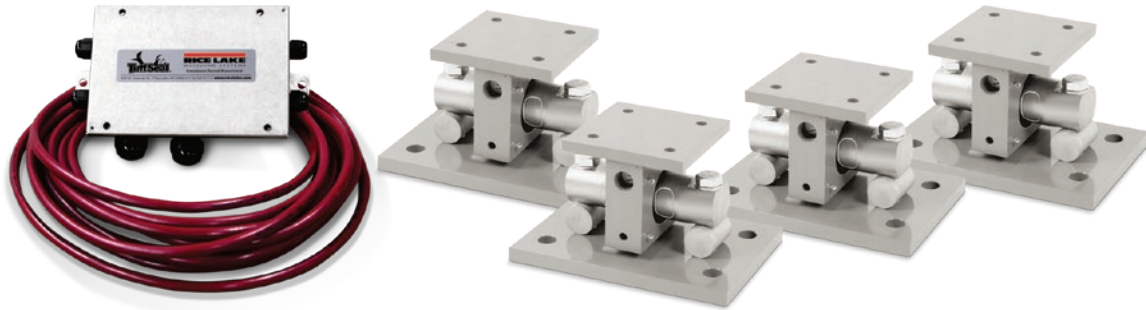
Load Rating (Per Module)	Part #	Price
3-Module Kit		
5,000 lb	18175	\$3,375.00
10,000 lb	18176	\$3,375.00
20,000 lb	18177	\$3,375.00
30,000 lb	32169	\$5,321.00
40,000 lb	32171	\$5,321.00
50,000 lb	18178	\$5,485.00
60,000 lb	18179	\$5,485.00
100,000 lb	18180	\$8,544.00
150,000 lb	18181	\$8,544.00
4-Module Kit		
5,000 lb	18182	\$4,351.00
10,000 lb	18183	\$4,351.00
20,000 lb	18184	\$4,351.00
30,000 lb	32170	\$6,731.00
40,000 lb	32172	\$6,731.00
50,000 lb	18185	\$6,911.00
60,000 lb	18186	\$6,911.00
100,000 lb	18187	\$11,130.00
150,000 lb	18188	\$11,130.00
Dummy Load Cells		
5,000 lb - 20,000 lb	33749	\$90.00
30,000 lb - 60,000 lb	74016	\$122.00
100,000 lb	94175	\$265.00
150,000 lb	158715	\$265.00
Grounding Kit		
5,000 lb-60,000 lb	126419	\$21.00

NEW

WEIGH MODULES

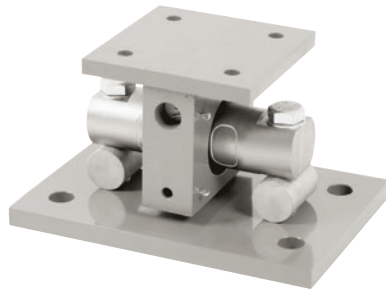
EZ Mount 1 SS with RL72020SS

Stainless Steel Weigh Modules, Rice Lake Weighing Systems



Picture is a representation of actual product.

The EZ Mount 1 Series weigh module utilizes the double-ended beam design with an articulating top plate to provide superior accuracy in any loading condition. The double-ended beam design means there is less cumbersome hardware and each module has a lower profile than modules of different configurations. NTEP certified and FM approved RL72020SS Series load cells give you accuracy and dependability in many applications, including intrinsically safe and explosion proof areas.



Module with RL72020SS double-ended shear beam load cell.

Complete Kit Includes

- One JB4SS NEMA Type 4X stainless steel signal trim junction box
- Three or four EZ Mount 1 stainless steel compression mounts
- Three or four RL72020SS stainless steel double-ended shear beam load cells
- 25 ft of hostile environment EL147HE SURVIVOR® load cell cable

Standard Features

- Capacities (per module): 5000-150,000 lb
- Unique sliding pin design compensates for thermal expansion/contraction
- NTEP Certified load cells (10 k - 100 k)
- Self-checking
- Easy load cell replacement
- Simplified design allows bolting directly to tank and floor
- Center-loaded double-ended shear beam design
- Low-profile design
- 304 stainless steel construction

Optional Features

- Kits available with VPG® Revere 9103 load cell, capacities in 5,000 lb-150,000 lb

Applications

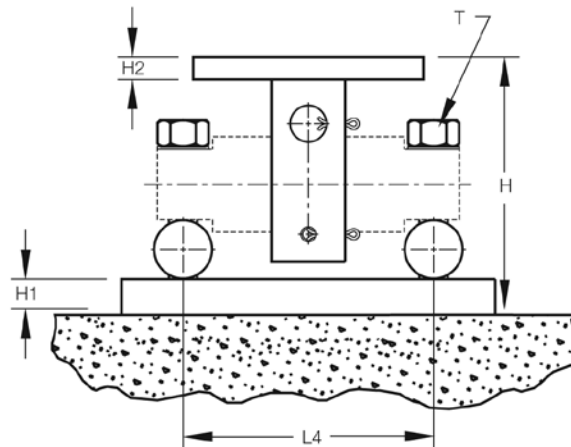
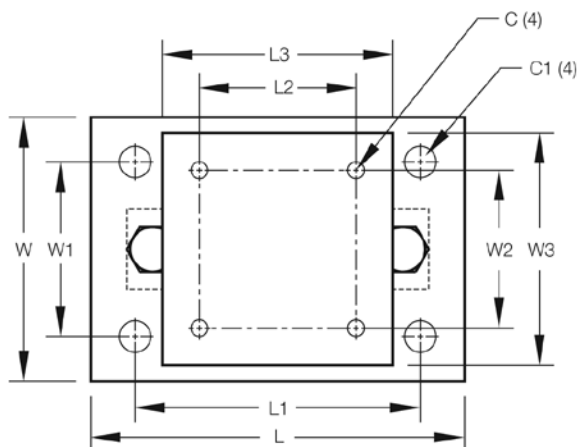
- Medium to heavy-capacity tank and hopper weighing applications

Load Cell Certifications



EZ Mount 1 SS with RL72020SS

Stainless Steel Weigh Modules, Rice Lake Weighing Systems



Dimensions

Rated Capacity	C	C1	H	H1	H2	L	L1	L2	L3	L4	T	W	W1	W2	W3
lb/in															
5,000-20,000	0.56	1.06	5.31	0.75	0.50	11.00	8.00	3.00	6.00	6.87	5/8-18 UNF	7.50	4.00	3.00	6.00
30,000-60,000	0.68	1.19	8.43	1.00	0.75	15.00	11.50	5.12	8.00	8.50	1-14 UNS	10.00	6.00	5.12	8.00
100,000	0.81	1.38	10.37	1.25	1.25	18.00	14.00	7.50	10.00	9.50	1-14 UNS	12.00	9.00	7.50	10.00
150,000	0.81	1.38	10.37	1.25	1.25	18.00	14.00	7.50	10.00	9.50	1-14 UNS	12.00	9.00	7.50	10.00

Order Information

Load Rating (Per Module)	Part #	Price
Single Module (Does NOT Include Load Cell)		
5,000 lb-20,000 lb	17943	\$845.00
30,000 lb-60,000 lb	17944	\$2,330.00
100,000 lb	17945	\$4,278.00
150,000 lb	29011	\$4,278.00
3-Module Kit		
5,000 lb*	208914	\$5,173.00
10,000 lb	208917	\$5,173.00
20,000 lb	208918	\$5,173.00
30,000 lb	208919	\$10,282.00
40,000 lb	208920	\$10,282.00
50,000 lb	208921	\$10,282.00
60,000 lb	208922	\$10,282.00
100,000 lb	208923	\$18,968.00
150,000 lb*	208924	\$18,968.00

* Non-NTEP Certified

Load Rating (Per Module)	Part #	Price
4-Module Kit		
5,000 lb*	208925	\$6,705.00
10,000 lb	208926	\$6,705.00
20,000 lb	208927	\$6,705.00
30,000 lb	208928	\$13,530.00
40,000 lb	208929	\$13,530.00
50,000 lb	208930	\$13,530.00
60,000 lb	208931	\$13,530.00
100,000 lb	208932	\$25,222.00
150,000 lb*	208933	\$25,222.00
Dummy Load Cells (Mild Steel)		
5,000 lb-20,000 lb	33749	\$90.00
30,000 lb-60,000 lb	74016	\$122.00
100,000 lb	94175	\$265.00
150,000 lb	158715	\$265.00
Grounding Kit		
5,000 lb-60,000 lb	126419	\$21.00

Includes ground strap and mounting hardware per mount

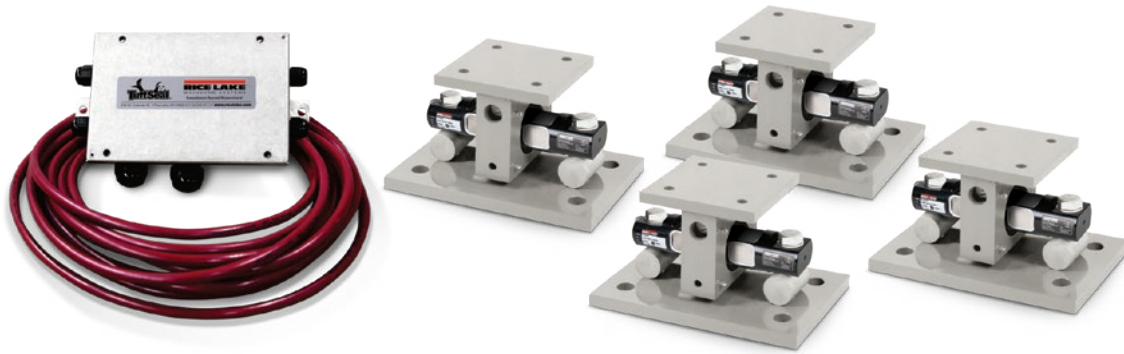
NEW

WEIGH MODULES

EZ Mount 1 with Painted RL72020P

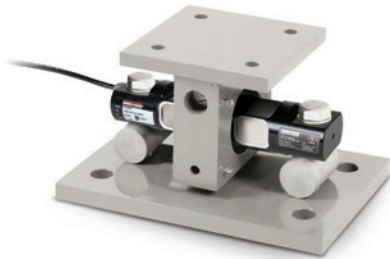
Rice Lake Weighing Systems

WEIGH MODULES



Picture is a representation of actual product.

The EZ Mount 1 Series weigh module utilizes the double-ended beam design with an articulating top plate to provide superior accuracy in any loading condition. The double-ended beam design means there is less cumbersome hardware and each module has a lower profile than modules of different configurations. NTEP certified and FM approved RL72020P painted load cells give you accuracy and dependability in fertilizer applications, including intrinsically safe and explosion proof areas.



Module with RL72020P painted double-ended shear beam load cell.

Complete Kit Includes

- One JB4SS NEMA Type 4X stainless steel signal trim junction box
- Three or four EZ Mount 1 stainless steel compression mounts
- Three or four RL72020P alloy painted double-ended shear beam load cells
- 25 ft of hostile environment EL147HE SURVIVOR® load cell cable

Standard Features

- Capacities (per module): 5,000-150,000 lb
- Unique sliding pin design compensates for thermal expansion/contraction
- NTEP Certified load cells (5-150 k)
- Self-checking
- Easy load cell replacement
- Simplified design allows bolting directly to tank and floor
- Center-loaded double-ended shear beam design
- Low-profile design
- 304 stainless steel construction (mount)

Applications

- Medium- to heavy-capacity tank and fertilizer hopper weighing applications

Load Cell Certifications

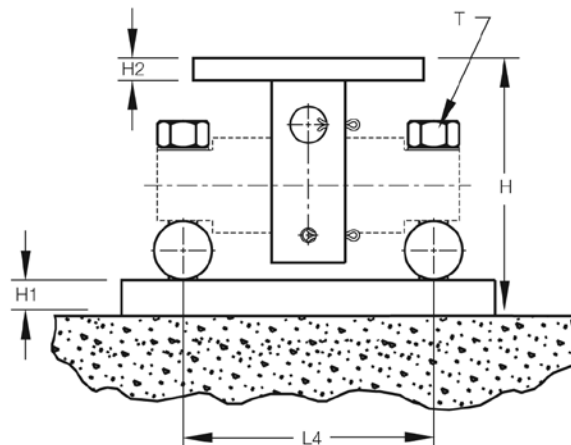
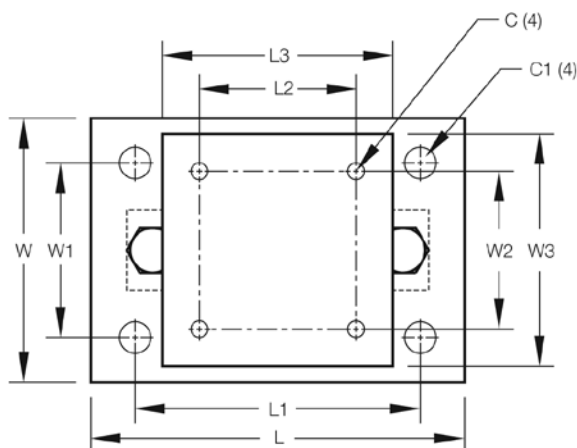


www.ricelake.com | Phone: 800-472-6703

RICE LAKE

EZ Mount 1 with Painted RL72020P

Rice Lake Weighing Systems



Dimensions

Rated Capacity	C	C1	H	H1	H2	L	L1	L2	L3	L4	T	W	W1	W2	W3
lb/in															
5,000-20,000	0.56	1.06	5.31	0.75	0.50	11.00	8.00	3.00	6.00	6.87	5/8-18 UNF	7.50	4.00	3.00	6.00
30,000-60,000	0.68	1.19	8.43	1.00	0.75	15.00	11.50	5.12	8.00	8.50	1-14 UNS	10.00	6.00	5.12	8.00
100,000	0.81	1.38	10.37	1.25	1.25	18.00	14.00	7.50	10.00	9.50	1-14 UNS	12.00	9.00	7.50	10.00
150,000	0.81	1.38	10.37	1.25	1.25	18.00	14.00	7.50	10.00	9.50	1-14 UNS	12.00	9.00	7.50	10.00

Order Information

Load Rating (Per Module)	Part #	Price
Single Module (Does NOT Include Load Cell)		
5,000 lb-20,000 lb	17943	\$845.00
30,000 lb-60,000 lb	17944	\$2,330.00
100,000 lb	17945	\$4,278.00
150,000 lb	29011	\$4,278.00
3-Module Kit		
5,000 lb*	208957	\$4,658.00
10,000 lb	208959	\$4,658.00
20,000 lb	208961	\$4,658.00
30,000 lb	208963	\$9,535.00
40,000 lb	208965	\$9,535.00
50,000 lb	208967	\$9,535.00
60,000 lb	208969	\$9,535.00
100,000 lb	208971	\$17,910.00
150,000 lb*	208973	\$17,910.00

* Non-NTEP Certified

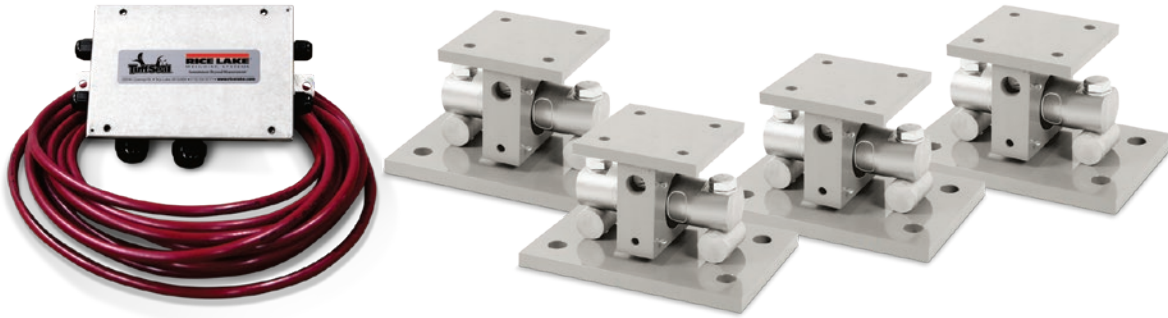
Load Rating (Per Module)	Part #	Price
4-Module Kit		
5,000 lb*	208958	\$6,228.00
10,000 lb	208960	\$6,228.00
20,000 lb	208962	\$6,228.00
30,000 lb	208964	\$12,715.00
40,000 lb	208966	\$12,715.00
50,000 lb	208968	\$12,715.00
60,000 lb	208970	\$12,715.00
100,000 lb	208972	\$23,845.00
150,000 lb*	208974	\$23,845.00
Dummy Load Cells (Mild Steel)		
5,000 lb-20,000 lb	33749	\$90.00
30,000 lb-60,000 lb	74016	\$122.00
100,000 lb	94175	\$265.00
150,000 lb	158715	\$265.00
Grounding Kit		
5,000 lb-60,000 lb	126419	\$21.00

Includes ground strap and mounting hardware per mount

WEIGH MODULES

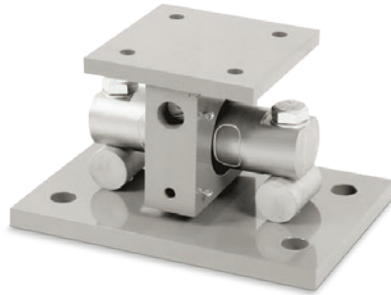
EZ Mount 1 with RL70000

Mild Steel Weigh Modules, Rice Lake Weighing Systems



Picture is a representation of actual product.

The EZ Mount 1 Series weigh modules utilize the double-ended beam design with an articulating top plate to provide superior accuracy in any loading condition. The double-ended beam design means there is less cumbersome hardware and each module has a lower profile than modules of different configurations. NTEP Certified and FM approved RL70000 Series load cells give you accuracy and dependability in many applications, including intrinsically safe and explosion proof areas.



Module with RL70000 double-ended shear beam load cell.

Complete Kit Includes

- One JB4SS NEMA Type 4X stainless steel signal trim junction box
- Three or four EZ Mount 1 mild steel compression mounts
- Three or four RL70000 double-ended shear beam load cells
- 25 ft of hostile environment EL147HE SURVIVOR® load cell cable

Standard Features

- Capacities (per module): 5,000-250,000 lb
- NTEP Certified load cells
- Unique sliding pin design compensates for thermal expansion/contraction
- Self-checking
- Easy load cell replacement
- Simplified design allows bolting directly to tank and floor
- Center-loaded double-ended shear beam design
- Low-profile design
- Painted mild steel construction

Optional Features

- Kits available with VPG® Revere 5103 load cell, capacities in 5,000-150,000 lb

Applications

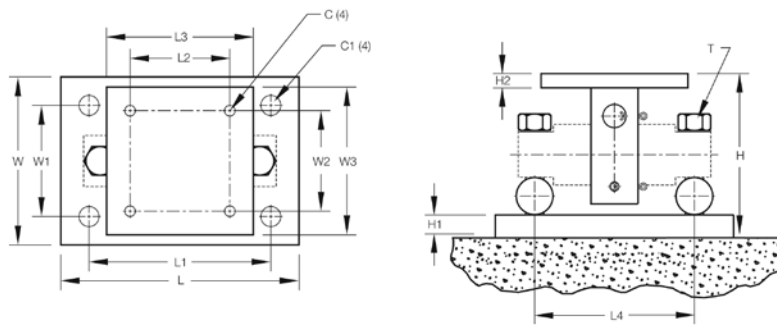
- Medium- to heavy-capacity tank and hopper weighing applications

Load Cell Certifications



EZ Mount 1 with RL70000

Mild Steel Weigh Modules, Rice Lake Weighing Systems



Dimensions

Rated Capacity	C	C1	H	H1	H2	L	L1	L2	L3	L4	T	W	W1	W2	W3
lb/in															
5,000-20,000	0.56	1.06	5.31	0.75	0.50	11.00	8.00	3.00	6.00	6.87	5/8-18 UNF	7.50	4.00	3.00	6.00
30,000-60,000	0.68	1.19	8.43	1.00	0.75	15.00	11.50	5.12	8.00	8.50	1-14 UNS	10.00	6.00	5.12	8.00
100,000	0.81	1.38	10.37	1.25	1.25	18.00	14.00	7.50	10.00	9.50	1-14 UNS	12.00	9.00	7.50	10.00
150,000	0.81	1.38	10.37	1.25	1.25	18.00	14.00	7.50	10.00	9.50	1-14 UNS	12.00	9.00	7.50	10.00
200,000-250,000	1.06	1.88	16.75	2.00	2.00	26.00	20.00	9.00	12.00	13.00	1 1/2-12 UNS	12.00	6.00	9.00	12.00

Order Information

Load Rating (Per Module)	Part #	Price
Single Module (Does NOT Include Load Cell)		
5,000 lb-20,000 lb	17823	\$345.00
30,000 lb-60,000 lb	17824	\$927.00
100,000 lb	17850	\$1,277.00
150,000 lb	29012	\$1,277.00
200,000 lb-250,000 lb	26068	\$2,915.00
3-Module Kit		
5,000 lb	18163	\$3,265.00
10,000 lb	18164	\$3,265.00
20,000 lb	18165	\$3,265.00
30,000 lb	32164	\$5,210.00
40,000 lb	32167	\$5,210.00
50,000 lb	18166	\$5,210.00
60,000 lb	18167	\$5,210.00
100,000 lb	18168	\$8,432.00
150,000 lb	43290	\$8,432.00
4-Module Kit		
5,000 lb	18169	\$4,240.00
10,000 lb	18170	\$4,240.00
20,000 lb	18171	\$4,240.00
30,000 lb	32165	\$6,577.00
40,000 lb	32166	\$6,577.00
50,000 lb	18172	\$6,577.00
60,000 lb	18173	\$6,577.00
100,000 lb	18174	\$10,955.00
150,000 lb	43291	\$10,955.00

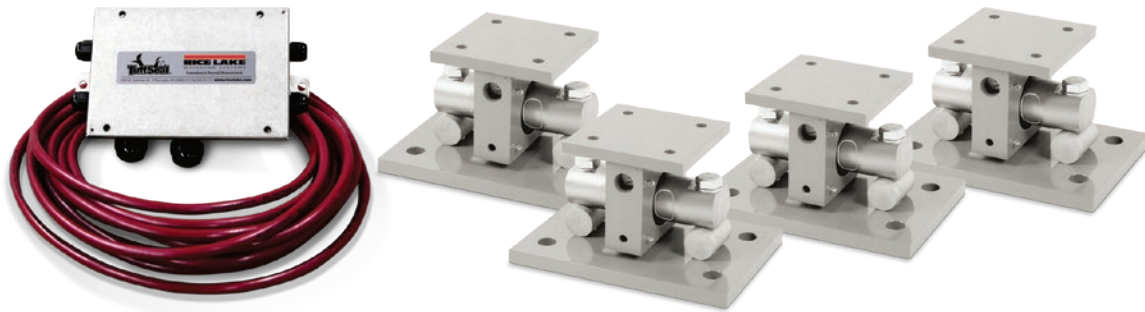
VPG Revere 5103 Order Information

Load Rating (Per Module)	Part #	Price
3-Module Kit		
5,000 lb	18175	\$3,375.00
10,000 lb	18176	\$3,375.00
20,000 lb	18177	\$3,375.00
30,000 lb	32169	\$5,321.00
40,000 lb	32171	\$5,321.00
50,000 lb	18178	\$5,485.00
60,000 lb	18179	\$5,485.00
100,000 lb	18180	\$8,544.00
150,000 lb	18181	\$8,544.00
4-Module Kit		
5,000 lb	18182	\$4,351.00
10,000 lb	18183	\$4,351.00
20,000 lb	18184	\$4,351.00
30,000 lb	32170	\$6,731.00
40,000 lb	32172	\$6,731.00
50,000 lb	18185	\$6,911.00
60,000 lb	18186	\$6,911.00
100,000 lb	18187	\$11,130.00
150,000 lb	18188	\$11,130.00
Dummy Load Cells		
5,000 lb-20,000 lb	33749	\$90.00
30,000 lb-60,000 lb	74016	\$122.00
100,000 lb	94175	\$265.00
150,000 lb	158715	\$265.00
Grounding Kit		
5,000 lb-60,000 lb	126419	\$21.00

Includes ground strap and mounting hardware per mount

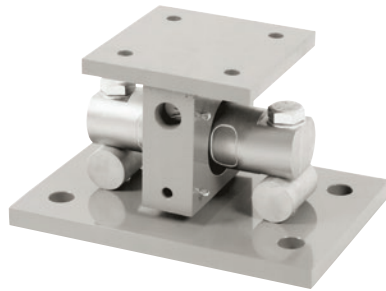
EZ Mount 1 with RL70000SS

Stainless Steel Weigh Modules, Rice Lake Weighing Systems



Picture is a representation of actual product.

The EZ Mount 1 Series weigh module utilizes the double-ended beam design with an articulating top plate to provide superior accuracy in any loading condition. The double-ended beam design means there is less cumbersome hardware and each module has a lower profile than modules of different configurations. NTEP certified and FM approved RL70000SS Series load cells give you accuracy and dependability in many applications, including intrinsically safe and explosion proof areas.



Module with RL70000SS double-ended shear beam load cell.

Complete Kit Includes

- One JB4SS NEMA Type 4X stainless steel signal trim junction box
- Three or four EZ Mount 1 stainless steel compression mounts
- Three or four RL70000SS stainless steel double-ended shear beam load cells
- 25 ft of hostile environment EL147HE SURVIVOR® load cell cable

Standard Features

- Capacities (per module): 5,000-150,000 lb
- Unique sliding pin design compensates for thermal expansion/contraction
- NTEP Certified load cells (10-100 k)
- Self-checking
- Easy load cell replacement
- Simplified design allows bolting directly to tank and floor
- Center-loaded double-ended shear beam design
- Low-profile design
- 304 stainless steel construction

Optional Features

- Kits available with VPG® Revere 9103 load cell, capacities in 5,000-150,000 lb

Applications

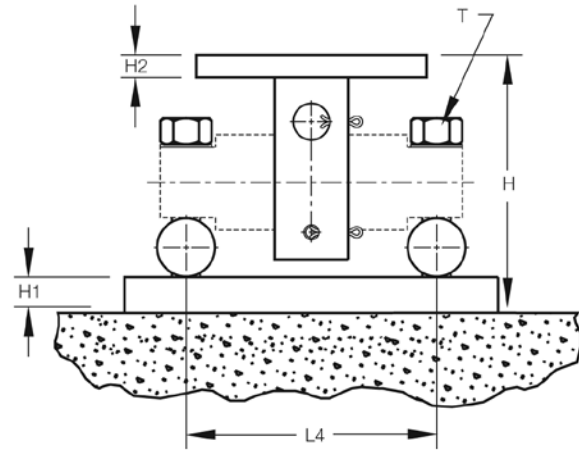
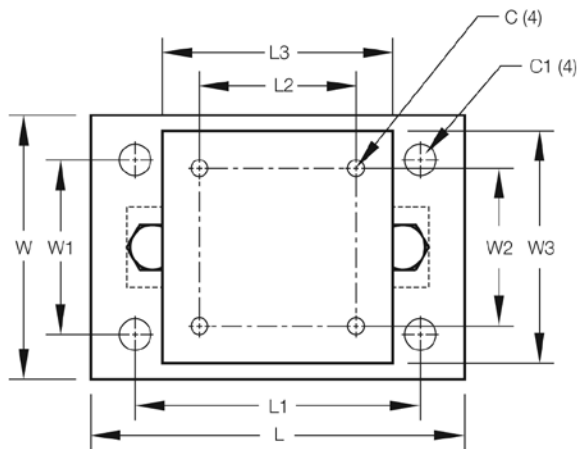
- Medium to heavy-capacity tank and hopper weighing applications

Load Cell Certifications



EZ Mount 1 with RL70000SS

Stainless Steel Weigh Modules, Rice Lake Weighing Systems



Dimensions

Rated Capacity lb/in	C	C1	H	H1	H2	L	L1	L2	L3	L4	T	W	W1	W2	W3
5,000-20,000	0.56	1.06	5.31	0.75	0.50	11.00	8.00	3.00	6.00	6.87	5/8-18 UNF	7.50	4.00	3.00	6.00
30,000-60,000	0.68	1.19	8.43	1.00	0.75	15.00	11.50	5.12	8.00	8.50	1-14 UNS	10.00	6.00	5.12	8.00
100,000	0.81	1.38	10.37	1.25	1.25	18.00	14.00	7.50	10.00	9.50	1-14 UNS	12.00	9.00	7.50	10.00
150,000	0.81	1.38	10.37	1.25	1.25	18.00	14.00	7.50	10.00	9.50	1-14 UNS	12.00	9.00	7.50	10.00

Order Information

Load Rating (Per Module)	Part #	Price
Single Module (Does NOT Include Load Cell)		
5,000 lb-20,000 lb	17943	\$845.00
30,000 lb-60,000 lb	17944	\$2,330.00
100,000 lb	17945	\$4,278.00
150,000 lb	29011	\$4,278.00
3-Module Kit		
5,000 lb*	36195	\$4,945.00
10,000 lb	36196	\$4,945.00
20,000 lb	36197	\$4,945.00
30,000 lb	36198	\$9,582.00
40,000 lb	36199	\$9,582.00
50,000 lb	36200	\$9,695.00
60,000 lb	36201	\$9,695.00
100,000 lb	36202	\$17,908.00
150,000 lb*	43288	\$17,908.00

* Non-NTEP Certified

Load Rating (Per Module)	Part #	Price
4-Module Kit		
5,000 lb*	36203	\$6,625.00
10,000 lb	36204	\$6,625.00
20,000 lb	36205	\$6,625.00
30,000 lb	36206	\$13,010.00
40,000 lb	36207	\$13,010.00
50,000 lb	36208	\$13,317.00
60,000 lb	36209	\$13,317.00
100,000 lb	36210	\$25,222.00
150,000 lb*	43289	\$25,222.00
Dummy Load Cells (Mild Steel)		
5,000 lb-20,000 lb	33749	\$90.00
30,000 lb-60,000 lb	74016	\$122.00
100,000 lb	94175	\$265.00
150,000 lb	158715	\$265.00
Grounding Kit		
5,000 lb-60,000 lb	126419	\$21.00

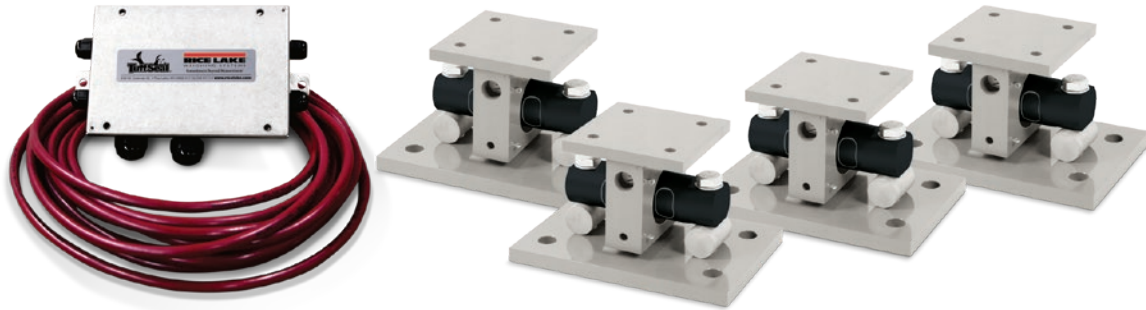
Includes ground strap and mounting hardware per mount

NEW

WEIGH MODULES

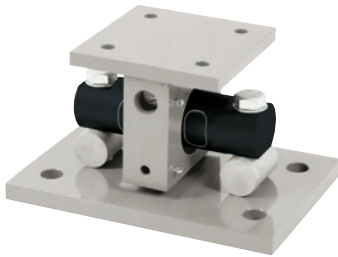
EZ Mount 1 with Painted RL70000

Rice Lake Weighing Systems



Available in configurations with three or four mounting assemblies.
Picture is a representation of actual product.

The EZ Mount 1 Series weigh module utilizes the double-ended beam design with an articulating top plate to provide superior accuracy in any loading condition. The double-ended beam design means there is less cumbersome hardware and each module has a lower profile than modules of different configurations. FM approved RL70000 painted load cells give you accuracy and dependability in fertilizer applications, including intrinsically safe and explosion proof areas.



Module with RL70000 painted double-ended shear beam load cell.

Complete Kit Includes

- One JB4SS NEMA Type 4X stainless steel signal trim junction box
- Three or four EZ Mount 1 stainless steel compression mounts
- Three or four RL70000 alloy painted double-ended shear beam load cells
- 25 ft of hostile environment EL147HE SURVIVOR® load cell cable

Standard Features

- Capacities (per module): 5,000-150,000 lb
- NTEP Certified load cells (5-150 k)
- Unique sliding pin design compensates for thermal expansion/contraction
- Self-checking
- Easy load cell replacement
- Simplified design allows bolting directly to tank and floor
- Center-loaded double-ended shear beam design
- Low-profile design
- 304 stainless steel construction (mount)

Applications

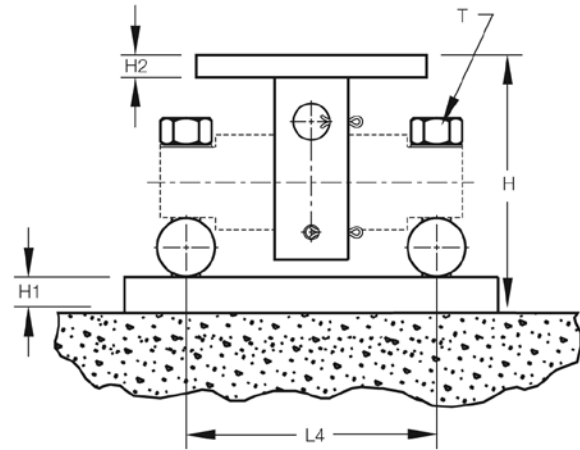
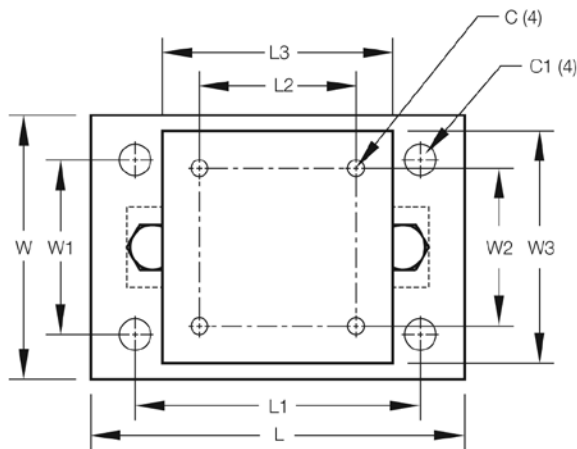
- Medium-to heavy-capacity tank and fertilizer hopper weighing applications

Load Cell Certifications



EZ Mount 1 with Painted RL70000

Rice Lake Weighing Systems



Dimensions

Rated Capacity	C	C1	H	H1	H2	L	L1	L2	L3	L4	T	W	W1	W2	W3
lb/in															
5,000-20,000	0.56	1.06	5.31	0.75	0.50	11.00	8.00	3.00	6.00	6.87	5/8-18 UNF	7.50	4.00	3.00	6.00
30,000-60,000	0.68	1.19	8.43	1.00	0.75	15.00	11.50	5.12	8.00	8.50	1-14 UNS	10.00	6.00	5.12	8.00
100,000	0.81	1.38	10.37	1.25	1.25	18.00	14.00	7.50	10.00	9.50	1-14 UNS	12.00	9.00	7.50	10.00
150,000	0.81	1.38	10.37	1.25	1.25	18.00	14.00	7.50	10.00	9.50	1-14 UNS	12.00	9.00	7.50	10.00

Order Information

Load Rating (Per Module)	Part #	Price
Single Module (Does NOT Include Load Cell)		
5,000 lb-20,000 lb	17943	\$845.00
30,000 lb-60,000 lb	17944	\$2,330.00
100,000 lb	17945	\$4,278.00
150,000 lb	29011	\$4,278.00
3-Module Kit		
5,000 lb*	207819	\$4,658.00
10,000 lb	207820	\$4,658.00
20,000 lb	207821	\$4,658.00
30,000 lb	207822	\$9,535.00
40,000 lb	207823	\$9,535.00
50,000 lb	207824	\$9,535.00
60,000 lb	207825	\$9,535.00
100,000 lb	207826	\$17,910.00
150,000 lb*	207827	\$17,910.00

* Non-NTEP Certified

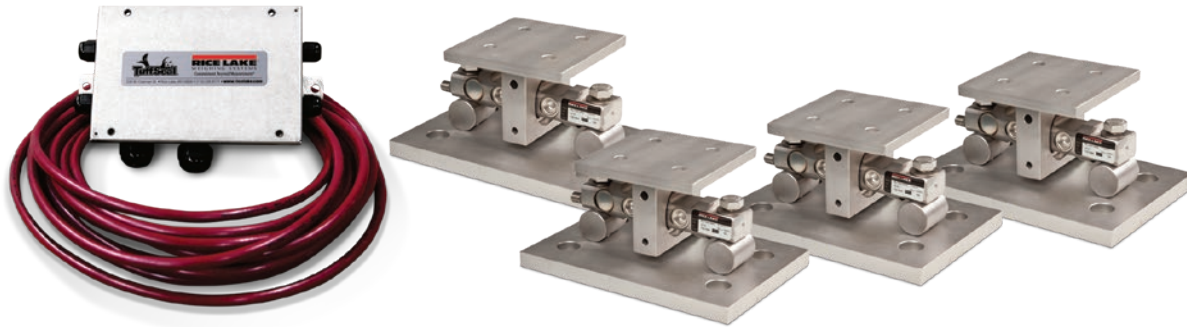
Load Rating (Per Module)	Part #	Price
4-Module Kit		
5,000 lb*	207829	\$6,228.00
10,000 lb	207830	\$6,228.00
20,000 lb	207831	\$6,228.00
30,000 lb	207832	\$12,715.00
40,000 lb	207833	\$12,715.00
50,000 lb	207834	\$12,715.00
60,000 lb	207835	\$12,715.00
100,000 lb	207836	\$23,845.00
150,000 lb*	207837	\$23,845.00
Dummy Load Cells (Mild Steel)		
5,000 lb-20,000 lb	33749	\$90.00
30,000 lb-60,000 lb	74016	\$122.00
100,000 lb	94175	\$265.00
150,000 lb	158715	\$265.00
Grounding Kit		
5,000 lb-60,000 lb	126419	\$21.00

Includes ground strap and mounting hardware per mount

WEIGH MODULES

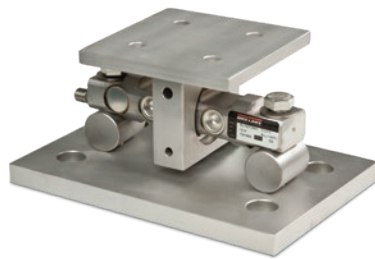
EZ Mount 1 HE

Stainless Steel Weigh Modules, Hermetically Sealed, Rice Lake Weighing Systems



Picture is a representation of actual product.

The EZ Mount 1 HE Series weigh modules utilize the double-ended beam design with an articulating top plate to provide superior accuracy in any loading condition. The double-ended beam design means there is less cumbersome hardware and each module has a lower profile than modules of different configurations. The RL72019SS Series load cells give you accuracy and dependability in any environment. Their stainless steel, hermetically sealed design also make them the ideal solution in harsh environments where moisture is present.



Module with RL72019SS double-ended shear beam load cell.

Complete Kit Includes

- One JB4SS NEMA Type 4X stainless steel signal trim junction box
- Three or four EZ Mount 1 stainless steel compression mounts
- Three or four RL72019SS hermetically sealed stainless steel double-ended shear beam load cells
- 25 ft of hostile environment EL147HE SURVIVOR® load cell cable

Standard Features

- Capacities (per module): 5,000-60,000 lb
- Unique sliding pin design compensates for thermal expansion/contraction
- Self-checking
- Easy load cell replacement
- Simplified design allows bolting directly to tank and floor
- Center-loaded, double-ended shear beam design
- Low-profile design
- 304 stainless steel construction

Applications

- Medium- to heavy-capacity tank and hopper weighing applications

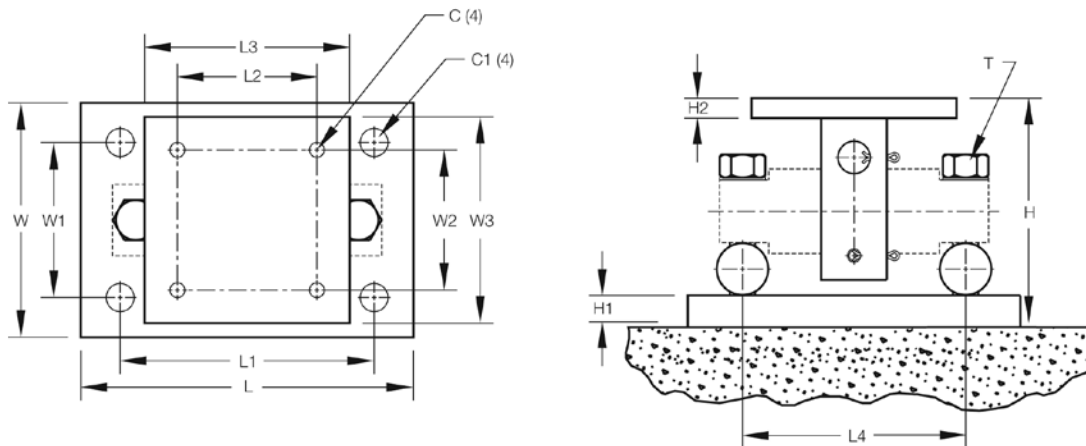
Load Cell Certifications



pending

EZ Mount 1 HE

Stainless Steel Weigh Modules, Hermetically Sealed, Rice Lake Weighing Systems



Dimensions

Rated Capacity	C	C1	H	H1	H2	L	L1	L2	L3	L4	T	W	W1	W2	W3
lb/in															
5,000-20,000	0.56	1.06	5.31	0.75	0.50	11.00	8.00	3.00	6.00	6.87	5/8-18 UNF	7.50	4.00	3.00	6.00
30,000-60,000	0.68	1.19	8.43	1.00	0.75	15.00	11.50	5.12	8.00	8.50	1-14 UNS	10.00	6.00	5.12	8.00

NOTES: Mounting bolts (T) may project on lower side of base plate. Foundation plate not included

Order Information

Load Rating (Per Module)	Part #	Price
3-Module Kit		
5,000 lb	46695	\$6,115.00
10,000 lb	46696	\$6,115.00
20,000 lb	46697	\$6,115.00
30,000 lb	46698	\$12,015.00
40,000 lb	46699	\$12,015.00
50,000 lb	46700	\$12,015.00
60,000 lb	46701	\$12,015.00
4-Module Kit		
5,000 lb	46702	\$8,230.00
10,000 lb	46703	\$8,230.00
20,000 lb	46704	\$8,230.00
30,000 lb	46705	\$15,695.00
40,000 lb	46706	\$15,695.00
50,000 lb	46707	\$15,695.00
60,000 lb	46708	\$15,695.00
Dummy Load Cells (Mild Steel)		
5,000 lb-20,000 lb	33749	\$90.00
30,000 lb-60,000 lb	74016	\$122.00
Grounding Kit		
5,000 lb-60,000 lb	126419	\$21.00

Includes ground strap and mounting hardware

Shims

	Part #	Price
5,000 lb-20,000 lb, Stainless Steel		
0.0625 in	150886	\$8.50
0.125 in	150888	\$12.25
0.250 in	150889	\$26.00
30,000 lb-60,000 lb, Stainless Steel		
0.0625 in	150890	\$15.00
0.125 in	150891	\$22.00
0.250 in	150892	\$59.00
100,000 lb-150,000 lb, Stainless Steel		
0.0625 in	150893	\$22.00
0.125 in	150894	\$36.00
0.250 in	150896	\$93.00
5,000 lb-20,000 lb, Mild Steel		
0.0625 in	150874	\$3.00
0.125 in	150876	\$4.25
0.250 in	150877	\$4.50
30,000 lb-60,000 lb, Mild Steel		
0.0625 in	150878	\$4.25
0.125 in	150880	\$7.00
0.250 in	150881	\$7.25
100,000 lb-150,000 lb, Mild Steel		
0.0625 in	150882	\$6.25
0.125 in	150884	\$10.25
0.250 in	150885	\$11.00

WEIGH MODULES

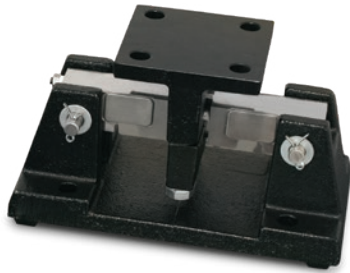
RL1600 Series

Cast Iron Weigh Modules

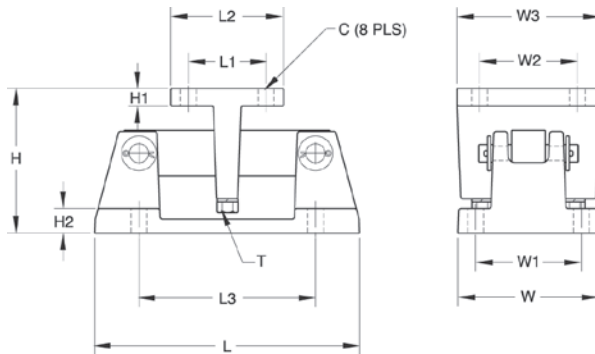


Picture is a representation of actual product.

The RL1600 Series mounting module kit utilizes several Rice Lake Weighing Systems components to provide an unmatched level of performance in tank and hopper weighing applications. The RL1600 Series kit is ideally suited for indoor and outdoor process control operations in the medium- to high-capacity ranges. Each module incorporates self-checking capabilities for thermal expansion and contraction.



Cast iron module with RL75016 double-ended beam load cell.



Dimensions

Rated Capacity	C	H	H1	H2	L	L1	L2	L3	T	W	W1	W2	W3
lb/in													
1,000-5,000	0.56	5.00	0.50	0.50	9.31	2.75	4.00	6.25	1/2-13 UNC	5.00	3.75	2.75	4.00
10,000-25,000	0.78	7.89	0.75	0.75	12.00	6.00	8.00	7.50	3/4-10 UNC	8.00	6.00	6.00	8.00

Complete Kit Includes

- One JB4SS NEMA Type 4X stainless steel signal trim junction box
- Three or four RL1600 cast iron compression mounts
- Three or four RL75016 double-ended shear beam load cells
- 25 ft of hostile environment EL147HE SURVIVOR® load cell cable

Standard Features

- Capacities (per module): 1,000-25,000 lb
- Cast iron construction
- Self-checking easy-to-use design allows module to be bolted directly to tank leg without requiring additional mounting plates or load buttons
- Environmentally protected load cells
- Double-ended beam design, center loaded

Optional Features

- Kits available with VPG® Sensortronics 65016 load cells, capacities (per module): 1,000-25,000 lb

Applications

- Medium- to heavy-capacity tanks, bins and hoppers
- Bulk material management

Order Information

Load Rating (Per Module)	Part #	Price
Single Module (Does NOT Include Load Cell)		
1,000 lb-5,000 lb	17964	\$175.00
10,000 lb-25,000 lb	17965	\$340.00
3-Module Kit		
1,000 lb	25663	\$2,258.00
1,500 lb	25664	\$2,258.00
2,000 lb	25665	\$2,258.00
2,500 lb	25666	\$2,258.00
3,000 lb	25667	\$2,258.00
5,000 lb	25668	\$2,258.00
10,000 lb	25669	\$2,952.00
15,000 lb	25671	\$2,952.00
20,000 lb	25672	\$2,952.00
25,000 lb	25674	\$2,952.00
4-Module Kit		
1,000 lb	25675	\$2,888.00
1,500 lb	25676	\$2,888.00
2,000 lb	25677	\$2,888.00
2,500 lb	25678	\$2,888.00
3,000 lb	25679	\$2,888.00
5,000 lb	25680	\$2,888.00
10,000 lb	25681	\$3,810.00
15,000 lb	25682	\$3,810.00
20,000 lb	25683	\$3,810.00
25,000 lb	25684	\$3,810.00

Load Cell Upgrade

RL75016SS Stainless Steel Load Cells
Three mount kits, 1,000 lb to 25,000 lb \$75.00 added to list price
Four mount kits, 1,000 lb to 25,000 lb \$100.00 added to list price
RL75016WHE Stainless Steel Hermetic Load Cells
Three mount kits 1,000 lb to 5,000 lb \$390.00, 10 k-25 k \$435.00 added to list price
Four mount kits 1,000 lb to 5,000 lb \$520.00, 10 k-25 k \$580.00 added to list price

Contact factory for a 50,000 lb to 75,000 lb upgrade

VPG Sensortronics 65016 Order Information

Load Rating (Per Module)	Part #	Price
3-Module Kit		
1,000 lb	25685	\$2,655.00
1,500 lb	25686	\$2,655.00
2,500 lb	25688	\$2,655.00
5,000 lb	25690	\$2,655.00
10,000 lb	25691	\$3,350.00
15,000 lb	25692	\$3,350.00
20,000 lb	25693	\$3,350.00
25,000 lb	25694	\$3,350.00
4-Module Kit		
1,000 lb	25695	\$3,445.00
1,500 lb	25696	\$3,445.00
2,500 lb	25698	\$3,445.00
5,000 lb	25700	\$3,445.00
10,000 lb	25701	\$4,399.00
15,000 lb	25702	\$4,399.00
20,000 lb	25703	\$4,399.00
25,000 lb	25704	\$4,399.00
Dummy Load Cells		
1,000 lb-5,000 lb	18236	\$26.00
10,000 lb-25,000 lb	18237	\$42.00

Shims, Mild Steel

	Part #	Price
1,000 lb-5,000 lb		
0.0625 in	150844	\$2.00
0.125 in	150845	\$3.00
0.250 in	150846	\$3.00
10,000 lb-25,000 lb		
0.0625 in	150847	\$5.00
0.125 in	150848	\$7.50
0.250 in	150849	\$8.00

RL1600 Series

Mild Steel Weigh Modules

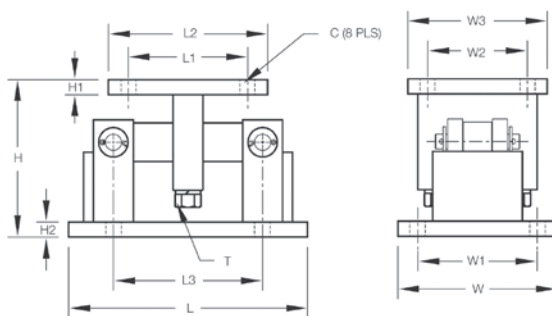


Picture is a representation of actual product.

The RL1600 Series mounting module kit utilizes several Rice Lake Weighing Systems components to provide an unmatched level of performance in tank and hopper weighing applications. The RL1600 Series kit is ideally suited for indoor and outdoor process control operations in the medium- to high-capacity ranges. Each module incorporates self-checking capabilities for thermal expansion and contraction.



Mild steel module with RL75016 double-ended beam load cell.



Dimensions

Rated Capacity	C	H	H1	H2	L	L1	L2	L3	T	W	W1	W2	W3
1,000-5,000	0.56	5.00	0.50	0.50	9.25	2.75	4.00	6.25	1/2-13 UNC	5.00	3.75	2.75	4.00
10,000-25,000	0.78	7.87	0.75	0.75	12.00	6.00	8.00	7.50	3/4-10 UNC	8.00	6.00	6.00	8.00
50,000-75,000	0.78	9.25	1.00	1.00	16.25	6.50	9.00	11.50	1 1/4-7 UNC	12.00	9.50	6.50	9.00

Complete Kit Includes

- One JB4SS NEMA Type 4X stainless steel signal trim junction box
- Three or four RL1600 mild steel compression mounts
- Three or four RL75016 double-ended shear beam load cells
- 25 ft of hostile environment EL147HE SURVIVOR® load cell cable

Standard Features

- Capacities (per module): 1,000-75,000 lb
- Self-checking, easy-to-use design allows module to be bolted directly to tank leg without requiring additional mounting plates or load buttons
- Environmentally protected load cells
- Double-ended shear beam design, center loaded
- Painted mild steel construction

Optional Features

- Kits available with VPG® Sensortronics 65016 load cells, capacities (per module): 1,000 -75,000 lb

Applications

- Medium- to heavy-capacity tanks, bins and hoppers
- Bulk material management

Load Cell Certifications



WEIGH MODULES
RL1600 Series
 Mild Steel Weigh Modules

Order Information

Load Rating (Per Module)	Part #	Price
Single Module (Does NOT Include Load Cell)		
1,000 lb-5,000 lb	17812	\$175.00
10,000 -25,000 lb	17814	\$340.00
50,000 lb	17816	\$1,140.00
75,000 lb	25346	\$1,140.00
3-Module Kit		
1,000 lb	18117	\$2,258.00
1,500 lb	18118	\$2,258.00
2,000 lb	18119	\$2,258.00
2,500 lb	18120	\$2,258.00
3,000 lb	18121	\$2,258.00
5,000 lb	18122	\$2,258.00
10,000 lb	18123	\$2,952.00
15,000 lb	18124	\$2,952.00
20,000 lb	18125	\$2,952.00
25,000 lb	18126	\$2,952.00
50,000 lb	18127	\$6,138.00
75,000 lb	25348	\$6,138.00
4-Module Kit		
1,000 lb	18129	\$2,888.00
1,500 lb	18130	\$2,888.00
2,000 lb	18131	\$2,888.00
2,500 lb	18132	\$2,888.00
3,000 lb	18133	\$2,888.00
5,000 lb	18134	\$2,888.00
10,000 lb	18135	\$3,810.00
15,000 lb	18136	\$3,810.00
20,000 lb	18137	\$2,888.00
25,000 lb	18138	\$3,810.00
50,000 lb	18139	\$8,199.00
75,000 lb	25349	\$8,199.00

VPG Sensortronics 65016 Order Information

Load Rating (Per Module)	Part #	Price
3-Module Kit		
1,000 lb	18189	\$2,655.00
1,500 lb	18190	\$2,655.00
2,500 lb	18192	\$2,655.00
5,000 lb	18194	\$2,655.00
10,000 lb	18195	\$3,350.00
15,000 lb	18196	\$3,350.00
20,000 lb	18197	\$3,350.00
25,000 lb	18198	\$3,350.00
50,000 lb	18199	\$6,633.00
75,000 lb	25350	\$6,633.00
4-Module Kit		
1,000 lb	18201	\$3,445.00
1,500 lb	18202	\$3,445.00
2,500 lb	18204	\$3,445.00
5,000 lb	18206	\$3,445.00
10,000 lb	18207	\$4,399.00
15,000 lb	18208	\$4,399.00
20,000 lb	18209	\$4,399.00
25,000 lb	18210	\$4,399.00
50,000 lb	18211	\$8,692.00
75,000 lb	25351	\$8,692.00
Dummy Load Cells		
1,000 lb-5,000 lb	18236	\$26.00
10,000 lb-25,000 lb	18237	\$42.00
50,000 lb	18238	\$56.00

Shims, Mild Steel

	Part #	Price
1,000 lb-5,000 lb		
0.0625 in	150844	\$2.00
0.125 in	150845	\$3.00
0.250 in	150846	\$3.00
10,000 lb-25,000 lb		
0.0625 in	150847	\$5.00
0.125 in	150848	\$7.50
0.250 in	150849	\$8.00
50,000 lb-75,000 lb		
0.0625 in	150850	\$7.00
0.125 in	150851	\$9.00
0.250 in	150866	\$7.50

Load Cell Upgrade

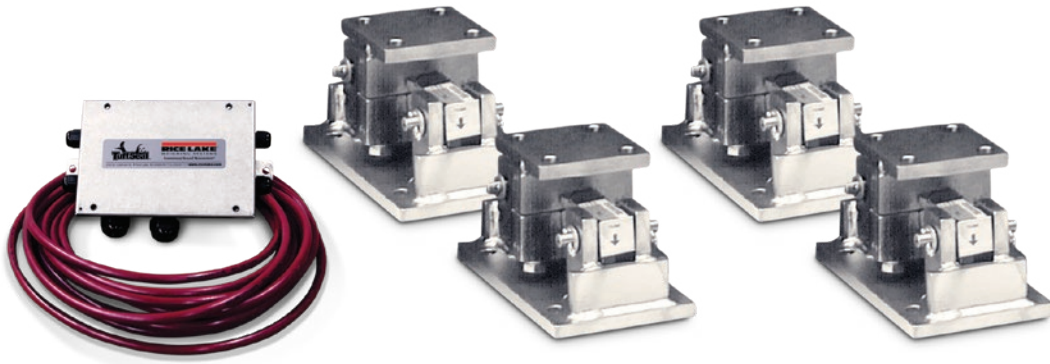
RL75016SS Stainless Steel Load Cells	
Three mount kits, 1,000 lb-25,000 lb	\$75.00 added to list price
Four mount kits, 1,000 lb 25,000 lb	\$100.00 added to list price
RL75016WHE Stainless Steel Hermetic Load Cells	
Three mount kits 1,000 lb-5,000 lb	\$390.00, 10,000 lb-25,000 lb \$435.00 added to list price
Four mount kits 1,000 lb-5,000 lb	\$520.00, 10,000 lb-25,000 lb \$580.00 added to list price

Contact factory for a 50,000 lb to 75,000 lb adder for stainless only

WEIGH MODULES

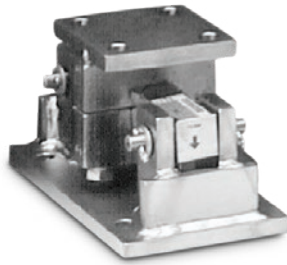
RL1600 Series SS

Stainless Steel Weigh Modules

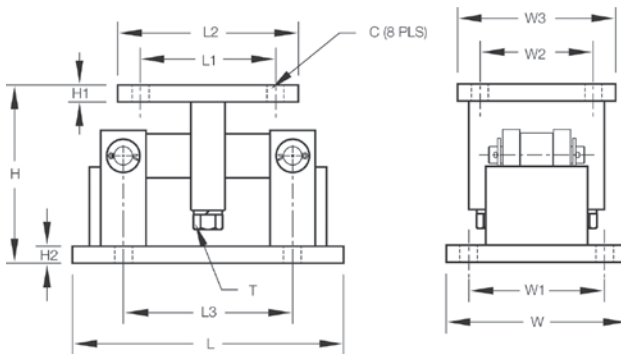


Picture is a representation of actual product.

The RL1600 Series mounting module kit utilizes several Rice Lake Weighing Systems components to provide an unmatched level of performance in tank and hopper weighing applications. The RL1600 Series kit is ideally suited for indoor and outdoor process control operations in the medium- to high-capacity ranges. Each module incorporates self-checking capabilities for thermal expansion and contraction.



Fabricated stainless steel module with RL75016SS double-ended beam load cell.



Dimensions

Rated Capacity	C	H	H1	H2	L	L1	L2	L3	T	W	W1	W2	W3
lb/in													
1,000-5,000	0.56	5.00	0.50	0.50	9.25	2.75	4.00	6.25	1/2-13 UNC	5.00	3.75	2.75	4.00
10,000-25,000	0.78	7.87	0.75	0.75	12.00	6.00	8.00	7.50	3/4-10 UNC	8.00	6.00	6.00	8.00
50,000-75,000	0.78	9.25	1.00	1.00	16.25	6.50	9.00	11.50	1 1/4-7 UNC	12.00	9.50	6.50	9.00

Complete Kit Includes

- One JB4SS NEMA Type 4X stainless steel signal trim junction box
- Three or four RL1600 stainless steel compression mounts
- Three or four RL75016 SS stainless steel double-ended shear beam load cells
- 25 ft of hostile environment EL147HE SURVIVOR® load cell cable

Standard Features

- Capacities (per module): 1,000-75,000 lb
- 304 stainless steel construction
- Self-checking, easy-to-use design allows module to be bolted directly to tank leg without requiring additional mounting plates or load buttons
- Environmentally protected load cells
- Double-ended shear beam design, center loaded

Optional Features

- Kits available with VPG® Sensortronics 65016W SS load cells

Applications

- Medium- to heavy-capacity tanks, bins and hoppers
- Bulk material management

Load Cell Certifications



WEIGH MODULES

RL1600 Series SS

Stainless Steel Weigh Modules

Order Information

Load Rating (Per Module)	Part #	Price
Single Module (Does NOT Include Load Cell)		
1,000 lb-5,000 lb	17813	\$657.00
10,000 lb-25,000 lb	17815	\$1,283.00
50,000 lb	17842	\$3,032.00
75,000 lb	25347	\$3,032.00
3-Module Kit		
1,000 lb	18141	\$3,736.00
1,500 lb	18142	\$3,736.00
2,000 lb	18143	\$3,736.00
2,500 lb	18144	\$3,736.00
5,000 lb	18145	\$3,736.00
10,000 lb	18146	\$5,645.00
15,000 lb	18147	\$5,645.00
20,000 lb	18148	\$5,645.00
25,000 lb	18149	\$5,645.00
50,000 lb	18150	\$12,800.00
75,000 lb	25352	\$12,800.00
4-Module Kit		
1,000 lb	18152	\$4,876.00
1,500 lb	18153	\$4,876.00
2,000 lb	18154	\$4,876.00
2,500 lb	18155	\$4,876.00
5,000 lb	18156	\$4,876.00
10,000 lb	18157	\$7,711.00
15,000 lb	18158	\$7,711.00
20,000 lb	18159	\$7,711.00
25,000 lb	18160	\$7,711.00
50,000 lb	18161	\$17,283.00
75,000 lb	25353	\$17,283.00

VPG Sensortronics 65016W Order Information

Load Rating (Per Module)	Part #	Price
3-Module Kit		
1,000 lb	18213	\$4,007.00
1,500 lb	18214	\$4,007.00
2,500 lb	18216	\$4,007.00
5,000 lb	18217	\$4,007.00
10,000 lb	18218	\$6,095.00
15,000 lb	18219	\$6,095.00
20,000 lb	18220	\$6,095.00
25,000 lb	18221	\$6,095.00
50,000 lb	18222	\$13,356.00
75,000 lb	25354	\$13,356.00
4-Module Kit		
1,000 lb	18224	\$5,263.00
1,500 lb	18225	\$5,263.00
2,500 lb	18227	\$5,263.00
5,000 lb	18228	\$5,263.00
10,000 lb	18229	\$8,045.00
15,000 lb	18230	\$8,045.00
20,000 lb	18231	\$8,045.00
25,000 lb	18232	\$8,045.00
50,000 lb	18233	\$17,617.00
75,000 lb	25355	\$17,617.00
Dummy Load Cells (Mild Steel)		
1,000 lb-5,000 lb	18236	\$26.00
10,000 lb-25,000 lb	18237	\$42.00
50,000 lb	18238	\$56.00

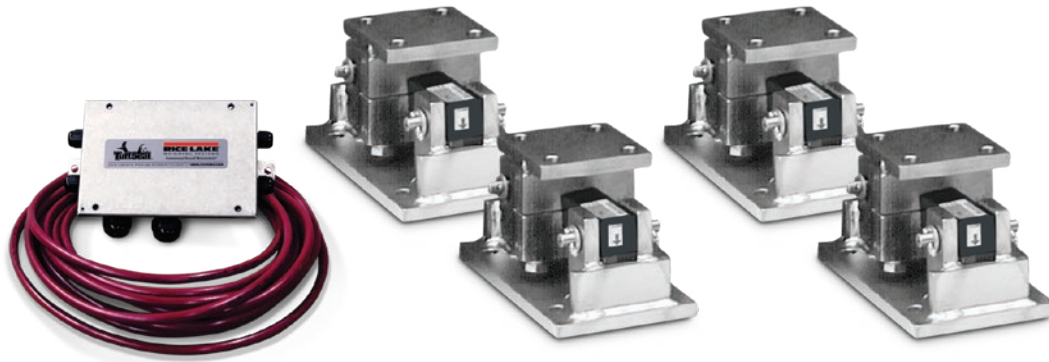
Shims, Stainless

	Part #	Price
1,000 lb-5,000 lb		
0.0625	150852	\$5.00
0.125	150853	\$10.00
0.250	150854	\$16.00
10,000 lb-25,000 lb		
0.0625	150855	\$15.00
0.125	150856	\$24.00
0.250	150857	\$62.00
50,000 lb-75,000 lb		
0.0625	150858	\$21.00
0.125	150859	\$31.00
0.250	150861	\$77.00

WEIGH MODULES

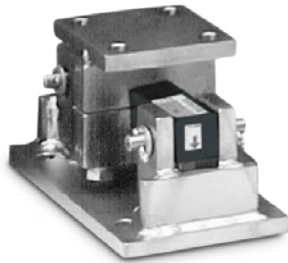
RL1600 Series Painted Load Cell Version

Stainless Steel Weigh Modules

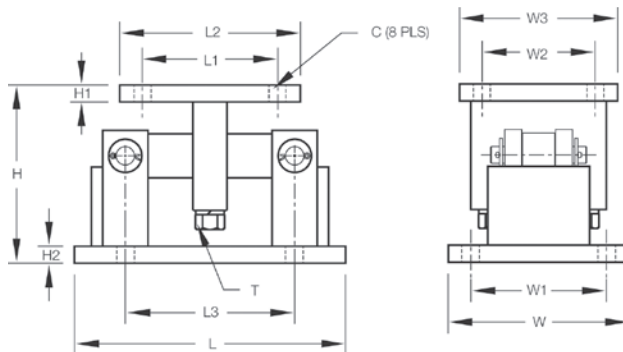


Picture is a representation of actual product.

The RL1600 Series mounting module kit utilizes several Rice Lake Weighing Systems components to provide an unmatched level of performance in tank and hopper weighing applications. The RL1600 Series is ideally suited for applications where corrosive materials are weighed such as fertilizer. Each module incorporates self-checking capabilities for thermal expansion and contraction.



Module with RL75016 painted double-ended beam cell



Dimensions

Rated Capacity	C	H	H1	H2	L	L1	L2	L3	T	W	W1	W2	W3
lb/in													
1,000-5,000	0.56	5.00	0.50	0.50	9.25	2.75	4.00	6.25	1/2-13 UNC	5.00	3.75	2.75	4.00
10,000-25,000	0.78	7.87	0.75	0.75	12.00	6.00	8.00	7.50	3/4-10 UNC	8.00	6.00	6.00	8.00
50,000-75,000	0.78	9.25	1.00	1.00	16.25	6.50	9.00	11.50	1 1/4-7 UNC	12.00	9.50	6.50	9.00

Complete Kit Includes

- One JB4SS NEMA Type 4X stainless steel signal trim junction box
- Three or four RL1800 stainless steel compression mounts
- Three or four RL75016 painted alloy steel double ended shear beam load cells
- 25 ft of hostile environment EL147HE SURVIVOR® load cell cable

Standard Features

- Capacities (per module): 1,000-75,000 lb
- Self-checking, easy-to-use design allows module to be bolted directly to tank leg without requiring additional mounting plates or load buttons
- Environmentally protected load cells
- Double-ended shear beam design, center loaded

Applications

- Medium-to heavy-capacity tanks, bins and hoppers
- Bulk material management

Load Cell Certifications



RL1600 Series Painted Load Cell Version

Stainless Steel Weigh Modules

Order Information

Load Rating (Per Module)	Part #	Price
Single Module (Does NOT Include Load Cell)		
1,000 lb-5,000 lb	17813	\$657.00
10,000 lb-25,000 lb	17815	\$1,283.00
50,000 lb	17842	\$3,032.00
75,000 lb	25347	\$3,032.00
3-Module Kit		
1,000 lb	199023	\$3,736.00
1,500 lb	199025	\$3,736.00
2,000 lb	199027	\$3,736.00
2,500 lb	199029	\$3,736.00
3,000 lb	199031	\$3,736.00
5,000 lb	199033	\$3,736.00
10,000 lb	199035	\$5,645.00
15,000 lb	199037	\$5,645.00
20,000 lb	199038	\$5,645.00
25,000 lb	199040	\$5,645.00
50,000 lb	199042	\$12,800.00
75,000 lb	199044	\$12,800.00
4-Module Kit		
1,000 lb	199024	\$4,876.00
1,500 lb	199026	\$4,876.00
2,000 lb	199028	\$4,876.00
2,500 lb	199030	\$4,876.00
3,000 lb	199032	\$4,876.00
5,000 lb	199034	\$4,876.00
10,000 lb	199036	\$7,711.00
15,000 lb	199056	\$7,711.00
20,000 lb	199039	\$7,711.00
25,000 lb	199041	\$7,711.00
50,000 lb	199043	\$17,283.00
75,000 lb	199045	\$17,283.00

Shims, Stainless

	Part #	Price
1,000 lb-5,000 lb		
0.0625	150852	\$5.00
0.125	150853	\$10.00
0.250	150854	\$16.00
10,000 lb-25,000 lb		
0.0625	150855	\$15.00
0.125	150856	\$24.00
0.250	150857	\$62.00
50,000 lb-75,000 lb		
0.0625	150858	\$21.00
0.125	150859	\$31.00
0.250	150861	\$77.00

MVS Mount/MVS

Conversion Kit



Picture is a representation of actual product.

The MVS utilizes the center-loaded double-ended shear beam load cell design. The mount is self-centering, which eliminates the need of costly check rods. This results in a pendulum suspension effect that eliminates binding, protects the load cells from damaging side load common on truck scales and automatically returns the mount to dead center. The mount is easy to install and promises high performance and long life.

Complete Kit Includes

- 4 to 10 RL75058-LP 75,000 lb load cells with 35 ft or 60 ft cables
- 4 to 10 MVS mounts
- JB8SPT junction box (JB1010 on 10 module kit)
- 100 ft of hostile environment EL147HE SURVIVOR® load cell cable

Standard Features

- Capacity design: 10,000-125,000 lb
- Mild steel construction
- Specially hardened center link
- Self-checking design
- Self-centering design
- Accommodates thermal expansion and contraction

Optional Features

- VPG® Sensortronics 65058 or VPG® Celtron CLB

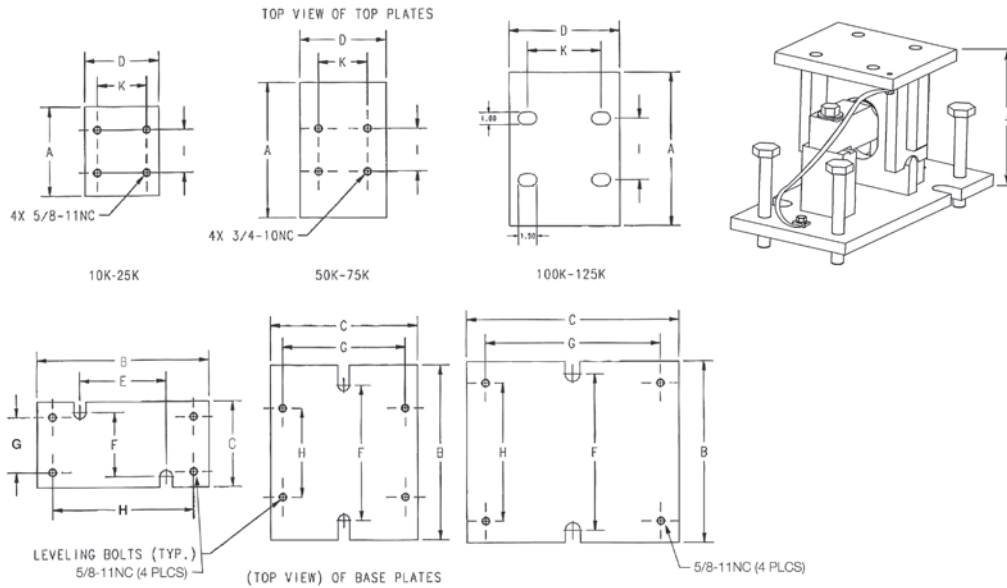
Applications

- Truck scale conversion
- Heavy-capacity horizontal tanks

Load Cell Certifications:



WEIGH MODULES
MVS Mount/MVS
Conversion Kit



Dimensions

Rated Capacity	A	B	C	D	E	F	G	H	I	J	K
lb/in											
10,000-25,000	7.25	14.00	7.00	6.00	7.00	5.25	4.50	11.50	3.50	8.50	4.00
50,000-75,000	11.00	14.25	12.00	7.00	—	11.00	10.00	7.25	3.50	11.53	4.00
100,000-125,000	12.50	14.75	17.25	9.00	—	12.75	14.25	11.25	5.00	14.21	6.00

Order Information

Load Rating (Per Module)	Part #	Price
MVS Mount (Does NOT Include Load Cell)		
10,000 lb-25,000 lb	71200	\$695.00
50,000 lb-75,000 lb	46441	\$810.00
100,000 lb-125,000 lb	68520	\$1,405.00
MVS Conversion Kits (Includes 75,000 lb* Load Cells, Mounts and Junction Box)		
4-module kit	68495	\$7,287.00
6-module kit	68496	\$10,722.00
8-module kit	68497	\$14,580.00
10-module kit	68498	\$18,915.00
Dummy Load Cell		
50 lb-75,000 lb	169388	\$175.00
100,000 lb-125,000 lb	159696	\$212.00

Custom heights available; Consult

* Consult for other capacity requirements

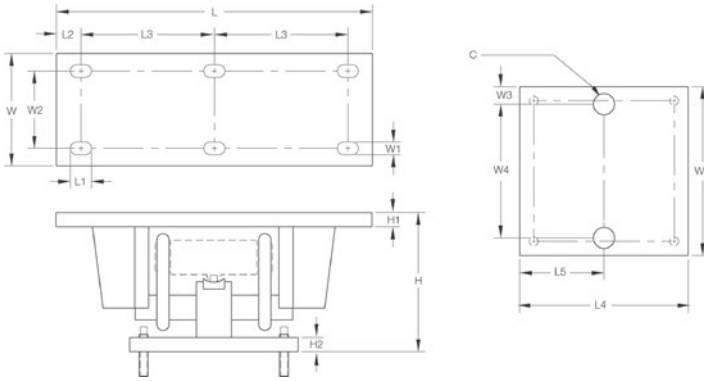
Translink™ Parallel Link

Truck Scale Assembly, Rice Lake Weighing Systems



Mount only; does not include load cell.
Picture is a representation of actual product.

The Translink parallel link truck scale assembly is designed for use with Rice Lake Weighing Systems' RL75223 and RL75040, VPG® Revere's 5223 or VPG® Sensortronics 65040A load cells. This design allows the scale platform to move freely in all directions on a horizontal plane while causing the platform to self-center because of the pendulous action of the links. The unique parallel link design eliminates the need for costly and troublesome checkrods. Simply install platform bumpers and forget about over-travel. This mount is ideal for heavy-capacity weighbridges.



Dimensions

Rated Capacity	C	H	H1	H2	L	L1	L2	L3	L4	L5	W	W1	W2	W3	W4	W5
50,000-100,000 (RL75223, 5223)	1.50	12.93	1.00	1.00	22.50	1.50	1.75	9.50	11.75	5.88	7.75	0.91	5.25	1.25	9.25	11.75
25,000-40,000 (RL75040, 65040A)	1.50	9.88	1.00	1.00	18.50	1.50	1.75	7.50	11.75	5.88	7.75	0.91	5.25	1.25	9.25	11.75
50,000-75,000 (RL75040, 65040A)	1.50	12.82	1.00	1.00	22.50	1.50	1.75	9.50	11.75	5.88	7.75	0.91	5.25	1.25	9.25	11.75

Order Information

Load Rating (Per Module)	Part #	Price
For Use With RL75223, 5223 Load Cells		
50,000 lb-100,000 lb	17970	\$845.00
For Use With RL75040, 65040A Load Cells		
25,000 lb-40,000 lb	17971	\$845.00
50,000 lb-75,000 lb	17972	\$845.00

Mount only; does not include load cell

Standard Features

- Capacities: 25,000-100,000 lb
- Center-supported, end-loaded double-ended shear beam design
- Free movement in all directions in the horizontal plane with virtually no friction
- Links provide optimal loading conditions for the cell
- Completely self-centering
- Requires no check rods
- Utilizes cells with 3 mV/V output
- Models available are RL75223 and RL75040, VPG® Revere 5223 and VPG® Sensortronics 65040A load cells

Applications

- Truck scale mount
- Heavy-capacity horizontal tanks

Motor Truck Scale Electronic Conversion Kit

Rice Lake Weighing Systems



Complete Kit Includes

- One JB8SP NEMA Type 4X signal-trim junction box with individual and section trimming capability (six- and eight-mount kits) or one JB4SP NEMA Type 4X signal-trim junction box (four-mount kits)
- One UJB3T6 DC transient protector
- Four, six or eight Translink mounting assemblies with RL75040 or RL75223 load cells
- 100 ft of hostile environment EL147HE SURVIVOR® load cell cable

Picture is a representation of actual product.

Full electronic performance can be achieved at a fraction of the cost of a new scale and pit. The Motor Truck Scale (MTS) electronic conversion kit is designed to transform an existing scale pit and weighbridge into a fully electronic vehicle scale. Designed for quick installation without removing the platform or reconfiguring the pit, the conversion kit can often be installed in a matter of days, minimizing downtime. This ease of installation is important when considering installations where it is not feasible to completely remove the existing scale.

Standard Features

- Cost and time efficient installation; no need to remove weighbridge
- Converts existing scale capacities of 40,000-300,000 lb
- Four, six or eight-mount kits for two, three or four section conversions
- Translink™ heavy-capacity mounting assemblies
- Free movement in all directions in the horizontal plane with virtually no friction
- Completely self-centering
- Requires no check rods
- Capacity per mount: 25,000-100,000 lb
- Utilizes cells with 3 mV/V output

Optional Features

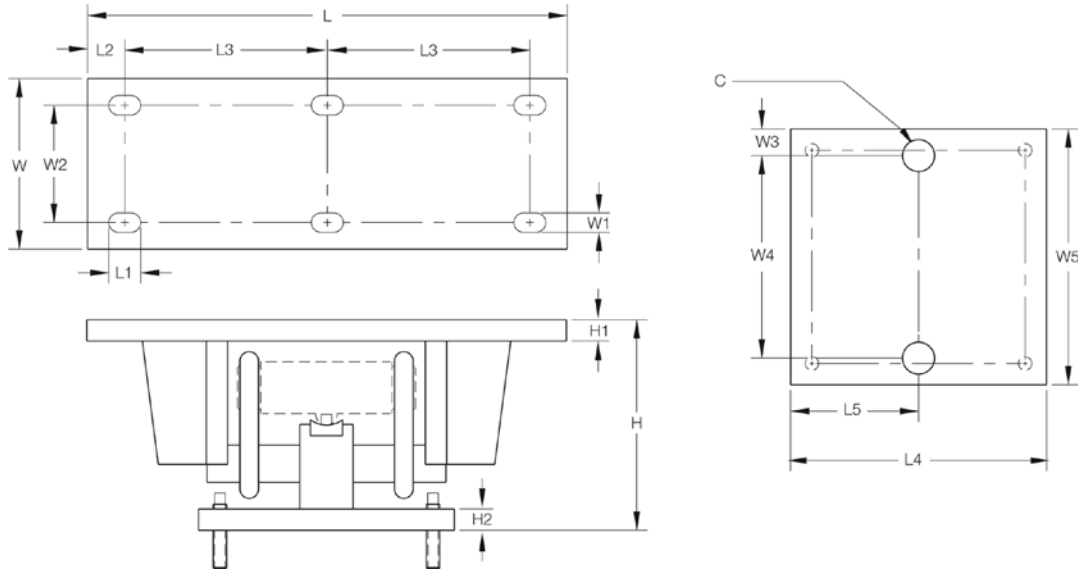
- Custom heights available; consult
- VPG® Sensortronics 65040A or VPG® Revere 5223 load cells

Applications

- Updating existing mechanical motor truck scales
- Replacing unsatisfactory electronic motor truck scales
- Conversion of heavy-capacity scales into fully electronic vehicle scales where the existing scale cannot be removed

Motor Truck Scale Electronic Conversion Kit

Rice Lake Weighing Systems



Dimensions

Rated Capacity	C	H*	H1	H2	L	L1	L2	L3	L4	L5	W	W1	W2	W3	W4**	W5
50,000-100,000 (RL75223)	1.50	12.93	1.00	1.00	22.50	1.50	1.75	9.50	11.75	5.88	7.75	0.91	5.25	1.25	9.25	11.75
25,000-40,000 (RL75040)	1.50	9.88	1.00	1.00	18.50	1.50	1.75	7.50	11.75	5.88	7.75	0.91	5.25	1.25	9.25	11.75
50,000-75,000 (RL75040)	1.50	12.82	1.00	1.00	22.50	1.50	1.75	9.50	11.75	5.88	7.75	0.91	5.25	1.25	9.25	11.75

*Custom heights available; consult **Custom hole spacing for existing bolt patterns is available; consult

Order Information

Scale Suggested Capacity	Load Cell Capacity (Per Module)	Part #	Load Cell Used In Kit	Price
4-Module Kit (Includes Weigh Modules Load Cells, Junction Box, and Transient Protection)				
40,000 lb	25,000 lb	30513	RL75040	\$6,164.00
60,000 lb	40,000 lb	30514	RL75040	\$6,694.00
6-Module Kit (Includes Weigh Modules Load Cells, Junction Box and Transient Protection)				
100,000 lb	50,000 lb	30515	RL75040	\$10,525.00
120,000 lb	60,000 lb	30516	RL75040	\$10,525.00
8-Module Kit (Includes Weigh Modules Load Cells, Junction Box and Transient Protection)				
120,000 lb	60,000 lb	30517	RL75040	\$13,579.00
200,000 lb	75,000 lb	30518	RL75040	\$13,579.00
300,000 lb	100,000 lb	30512	RL75223	\$16,467.00

SD refers to super duty, 100,000 lb capacity welded-seal load cells

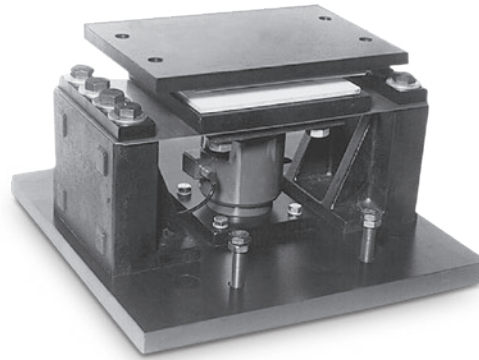
Standard Features

- Capacities: 50,000 lb, 100,000 lb and 200,000 lb
- Protects load cell from shock and side loads
- Low-profile design
- High-strength load bearing plate made of highgrade carbon steel hardened to Rockwell C 48-54
- PTFE coated shock absorbing pads
- Compatible with VPG[®] Revere CP and CSP and Rice Lake Weighing Systems' RLCSP1 NTEP Certified load cells

Applications

- Truck scale mount*
- Heavy-capacity horizontal tanks*
- Railroad track mount*

*Check rods required



Mount only; does not include load cell.
 Picture is a representation of actual product.

The Magna Mount tank, truck and railroad scale assembly is designed for use with Rice Lake Weighing Systems' RLCSP1 or VPG[®] Revere CP or CSP load cells. The shielded-cell load cell mounting assembly is a highly reliable design that shields the load cell from shock and side load effects, assuring accurate weighing even under adverse loading conditions.

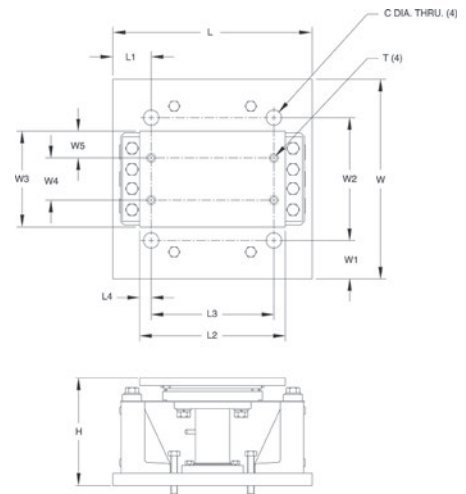
Dimensions

Rated Capacity	C	H	L	L1	L2	L3	L4	T	W	W1	W2	W3	W4	W5
lb/in														
50,000	1.25	7.39	13.00	1.75	11.25	8.50	1.37	3/4-10 UNC	12.00	1.75	8.50	8.00	4.50	1.75
100,000	1.50	11.29	20.00	2.25	18.00	15.50	1.25	7/8-9 UNC	17.00	2.50	12.00	9.00	5.50	1.75
200,000	2.00	14.10	26.00	5.00	19.00	16.00	1.50	1-8 UNC	26.00	5.00	16.00	12.50	5.50	3.50

Order Information

Load Rating (Per Module)	Part #	Price
50,000 lb	21723	\$1,855.00
100,000 lb	21724	\$2,210.00
200,000 lb	17974	\$3,145.00

Mount only; does not include load cell



WEIGH MODULES

Mettler Toledo® DigiTOL® Retrofit Kit

Stainless Steel, Rice Lake Weighing Systems/Flintec

RC1 Load Cells



Shown here with the JB8SP signal trim junction box.
Picture is a representation of actual product.

These kits are designed to provide a cost effective solution for replacing Mettler Toledo™ DigiTOL® digital load cells with analog load cells. The Flintec® RC1 and RC3 load cells are stainless steel and hermetically sealed to provide years of trouble-free service.

DigiTOL Retrofit Order information

Description	Part #	Price
8 mount kit (RC1-56,000) 1 JB8SP junction box	78713	\$9,323.00
10 mount kit (RC1-56,000) 2 JB8SP junction boxes	78714	\$11,337.00
12 mount kit (RC1-56,000) 3 EL304 junction boxes	152774	\$13,987.00

Complete Kit Includes

- One JB8SP or two JB8SP signal trim junction boxes (8 and 10 mount kit)
- Three EL304 signal trim boxes in 12 mount kits
- 8, 10 or 12 Flintec RC1-250 KN load cells with upper and lower load cups
- 8, 10 or 12 Flintec RC3 load cells with upper and lower load cups
- 100 ft of hostile environment EL147HE SURVIVOR® load cell cable
- Cups included

Standard Features

- Stainless steel hermetically sealed load cells
- Converts existing Mettler Toledo DigiTOL scale to an analog based load cell weighing system
- 8, 10 or 12 load cells and cups, plus junction box and home run cable
- Load cells are NTEP Certified 1:10,000 divisions, Class III*
- Rocker design load cells
- Load cups

*Consult your local Weights & Measures Authorities for local Legal for Trade requirements

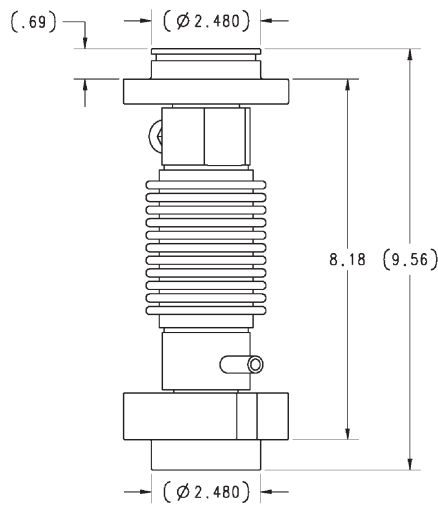
Applications

- Mettler Toledo® DigiTOL® truck scale conversion

Warranty

- One-year limited warranty

Load Cell Certifications:



RC1-250KN

Mettler Toledo® DigiTOL® Retrofit Kit

Stainless Steel, Rice Lake Weighing Systems/Flintec

RC3 Load Cells



Complete Kit Includes

- One JB8SP or two JB8SP signal trim junction boxes (8 and 10 mount kit)
- Three EL304 signal trim boxes in 12 mount kits
- 8, 10 or 12 Flintec® RC1-250 KN load cells with upper and lower load cups
- 8, 10 or 12 Flintec® RC3 load cells with upper and lower load cups
- 100 ft of hostile environment EL147HE SURVIVOR® load cell cable
- Cups included

Standard Features

- Stainless steel hermetically sealed load cells
- Converts existing Mettler Toledo DigiTOL scale to an analog based load cell weighing system
- 8, 10 or 12 load cells and cups plus junction box and home run cable
- Load cells are NTEP Certified 1:10,000 divisions, Class IIII*
- Rocker design load cells
- Load cups

*Consult your local Weights & Measures Authorities for local Legal for Trade requirements

Applications

- Mettler Toledo® DigiTOL® truck scale conversion

Warranty

- One-year limited warranty

Load Cell Certifications

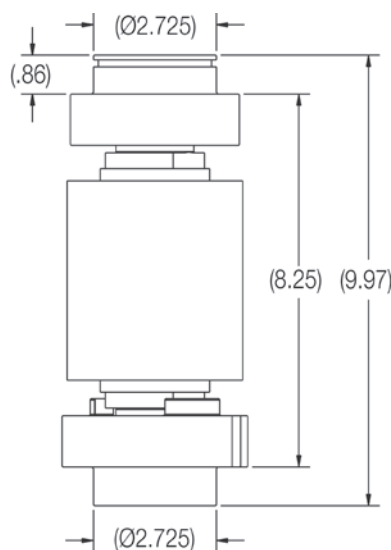


Shown here with the JB8SP signal trim junction box
Picture is a representation of actual product

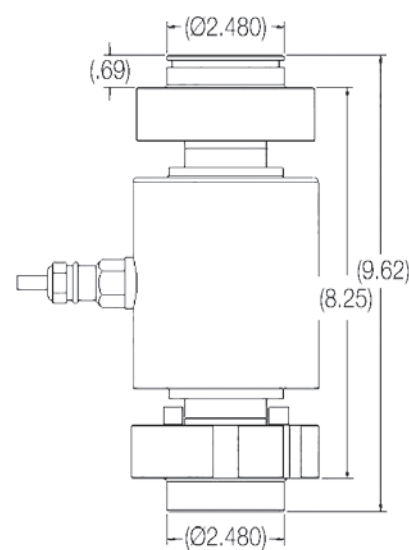
This kit is designed to provide a cost effective solution for replacing Mettler Toledo® DigiTOL® digital load cells with analog load cells. The Flintec® RC3 load cell is stainless steel and hermetically sealed to provide years of trouble-free service.

DigiTOL Retrofit Order information

Description	Part #	Price
8 mount kit (RC3-50T) RR/track 2 EL304 junction boxes	129844	\$12,715.00
8 mount (RC3-50T) truck 2 EL304 junction boxes	154347	\$12,715.00
10 mount kit (RC3-50T) RR/track 2 JB8SP junction boxes	111367	\$15,683.00
10 mount kit (RC3-50T) truck 3 EL304 junction boxes	154348	\$15,683.00
12 mount kit (RC3-50T) truck 3 EL304 junction boxes	154349	\$18,216.00

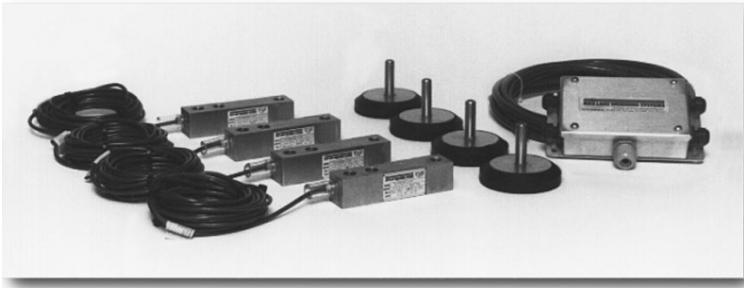


RC3-50t
RR TRACK



RC3-50t
TRUCK

Electronic Floor Scale Underdeck Kits



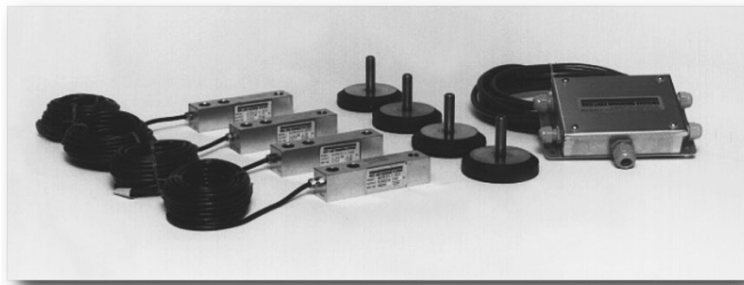
Economical Kit

Kit Includes

(4) VPG® Celtron SQB alloy steel NTEP Certified 5,000 d, Class III load cells
(1) JB4SS stainless steel NEMA Type 4X junction box
(4) SureFoot® high-accuracy stainless steel support feet
20 ft EL147HE load cell cable
(4) mounting plates and (8) load cell bolts

Order Information

Scale Base Capacity	Part #	Price
1,000 lb for 2,000 lb base	26436	\$980.00
2,500 lb for 5,000 lb base	26437	\$980.00
4,000 lb for 10,000 lb base	26438	\$980.00



Standard Precision Applications Kit

Kit Includes

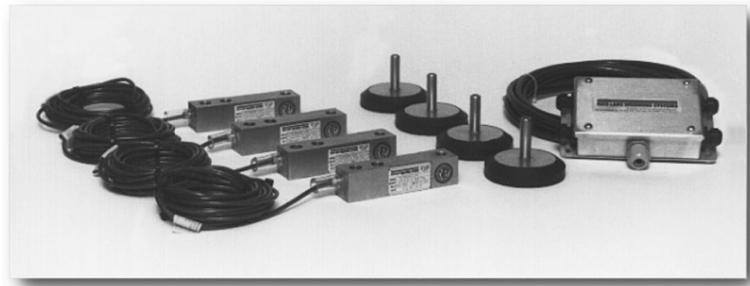
(4) Rice Lake RL32018 alloy steel NTEP Certified 5,000 d, Class III load cells
(1) JB4SS stainless steel NEMA Type 4X junction box
(4) SureFoot high-accuracy stainless steel support feet
20 ft EL147HE load cell cable
(4) mounting plates and (8) load cell bolts

NOTES: The use of NTEP Certified load cells in a scale base does not constitute approval of the completed base. Consult with local or state jurisdiction for compliance requirements.

Order Information

Scale Base Capacity	Part #	Price
1,000 lb for 2,000 lb base	19032	\$1,060.00
2,500 lb for 5,000 lb base	19033	\$1,060.00
4,000 lb for 10,000 lb base	19034	\$1,060.00

Electronic Floor Scale Underdeck Kits



Underdeck kits are provided to meet the application needs of the electronic floor scale producer and are an easy source for rebuilding existing floor scales. Underdeck kits are provided with mounting plates and load cell bolts for easy installation.

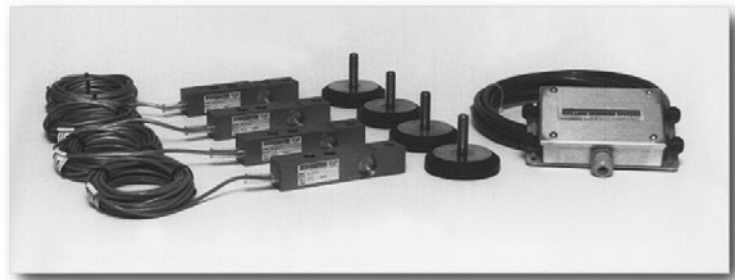
Chemical, Dry Corrosive & Non-Washdown Applications Kit

Kit Includes

- (4) VPG® Celtron SQB-HSS stainless steel NTEP Certified 5,000 d, Class III load cells
- (1) JB4SS stainless steel NEMA Type 4X junction box
- (4) SureFoot® high-accuracy stainless steel support feet
- 20 ft EL147HE load cell cable
- (4) mounting plates and (8) load cell bolts

Order Information

Scale Base Capacity	Part #	Price
1,000 lb for 2,000 lb base	19035	\$1,378.00
2,500 lb for 5,000 lb base	19036	\$1,378.00
4,000 lb for 10,000 lb base	19037	\$1,378.00



Wet Applications Kit

Kit Includes

- (4) Rice Lake RL32018S-HE welded-seal stainless steel NTEP Certified 5,000 d, Class III load cells
- (1) JB4SS stainless steel NEMA Type 4X junction box
- (4) SureFoot® high-accuracy stainless steel support feet
- 20 ft EL147HE load cell cable
- (4) mounting plates and (8) load cell bolts

Order Information

Scale Base Capacity	Part #	Price
1,000 lb for 2,000 lb base	19038	\$1,706.00
2,500 lb for 5,000 lb base	19039	\$1,706.00
4,000 lb for 10,000 lb base	19040	\$1,706.00

