

RL1200 Portable Beam Scale

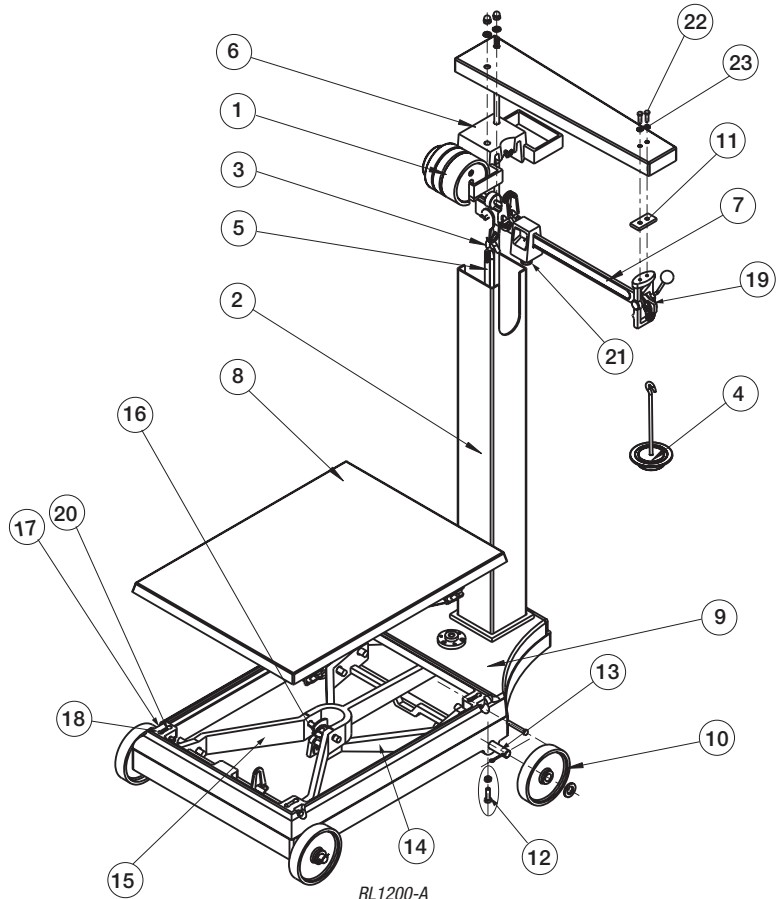
Beam and Column Assembly



Part Number/Price

| Ref# | Part# | Description | Price |
|------|--------|--|---------|
| 1 | 162236 | Counterpoise weights, (1) 50 kg, (2) 100 kg, (1) 200 kg | Consult |
| 1 | 162237 | Counterpoise weights, (1) 100 lb, (2) 200 lb, (1) 400 lb | Consult |
| 2 | 162239 | Pillar | Consult |
| 3 | 162240 | Steelyard rod | Consult |
| 4 | 162241 | Counterpoise assembly, kg | Consult |
| 4 | 162242 | Counterpoise assembly, lb | Consult |
| 5 | 162243 | Pillar rod, set of 2 | Consult |
| 6 | 162244 | Weight rack | Consult |
| 7 | 162301 | Beam assembly (includes poise weight) | Consult |
| 7 | 162302 | Beam assembly (includes poise weight) | Consult |
| 8 | 162246 | Platform | Consult |
| 9 | 162247 | Base frame (not incl. levels) | Consult |
| 10 | 162248 | Wheel | Consult |
| 11 | 162249 | Trig loop shim | Consult |
| 12 | 162250 | Axle set bolt with nut, set of 4 | Consult |
| 13 | 162251 | Axle, set of 2 | Consult |
| 14 | 162252 | Short lever (includes pivots) | Consult |
| 15 | 162253 | Long lever (includes pivot) | Consult |
| 16 | 162254 | Center connection with bearings | Consult |
| 17 | 162255 | Fulcrum loop support pin, set of 4 | Consult |
| 18 | 162256 | Fulcrum loop with bearing, set of 4 | Consult |
| 19 | 162258 | Trig loop | Consult |
| 20 | 162257 | Load and fulcrum pivots for long and short level, set of 8 | Consult |
| 21 | 206582 | Thumb screw for poise weight | Consult |
| 22 | 178475 | Screw, M6-1 x 16 mm, 8.8 zinc plated | Consult |
| 23 | 15145 | Washer, plain 1/4 Type A | Consult |

(See Diagram RL1200-A)



RL1200-A