

Overhead Weighing

TABLE OF CONTENTS

| | |
|---|------------|
| Overhead Weighing | 775 |
| MSI-3460 Challenger 3 | 776 |
| <i>Crane Scale</i> | |
| MSI-4260 Port-A-Weigh | 778 |
| <i>Industrial Crane Scale</i> | |
| MSI-4260 IS Port-A-Weigh | 780 |
| <i>Intrinsically Safe Crane Scale</i> | |
| MSI-4260M Port-A-Weigh | 781 |
| <i>Industrial Crane Scale</i> | |
| MSI-4260M Port-A-Weigh | 783 |
| <i>Marine Crane Scale</i> | |
| MSI-9600HT Hi-torque Port-A-Weigh Plus | 784 |
| <i>Crane Scale</i> | |
| MSI-6360 Trans-Weigh | 785 |
| <i>Crane Scale</i> | |
| RL101 Scale | 787 |
| <i>Compact Digital Below-the-hook Scale</i> | |
| Crane Scale Cart | 788 |
| <i>Universal Transport and Storage Cart</i> | |
| MSI-7300 Dyna-Link 2 | 789 |
| <i>Digital Tension Dynamometer</i> | |
| MSI Dyna-Clamp | 791 |
| <i>Tension Meter</i> | |
| MSI Clamp-On | 792 |
| <i>Load Cell</i> | |
| MSI Load Pin Sensors | 793 |
| MSI Load Pin Questionnaire | 794 |
| MSI Shear Web | 795 |
| <i>Load Cell</i> | |
| MSI Tension Link | 796 |
| <i>Load Cell</i> | |
| Shackle Dimensions | 797 |
| MSI-8000 | 798 |
| <i>RF Remote Display</i> | |
| MSI-8000HD | 799 |
| <i>Digital Weight Indicator/RF Remote Display</i> | |
| MSI-8004HD | 801 |
| <i>Digital Weight Indicator/RF Remote Display</i> | |
| MSI Scoreboards Wireless RF | 803 |
| <i>Featuring LaserLight2™ Remote Displays</i> | |
| TranSend™ | 804 |
| <i>Wireless Load Cell Interface System</i> | |
| MSI ScaleCore Webserver | 805 |
| <i>Wireless Network Router</i> | |
| Rugged Remote | 807 |
| <i>Remote Control</i> | |
| Wi-Fi Information Request | 808 |

The following product names, logos, brands and other trademarks featured or referred to within this publication are the property of their respective trademark holders.

MSI-3460 Challenger 3

Crane Scale



Approvals



Standard Features

- Multi-color LED display
- Top lifting eye and bottom swivel hook
- Crosby® or equivalent with 360° non-bearing swivel hook
- Lb/kg switch selectable
- Six volt rechargeable battery and universal 115/230 VAC, 50/60 Hz battery charger (NA plug standard)
- Meets or exceeds OSHA, ANSI, ASME and other safety design standards (5:1 Ultimate Safety Factor)
- NTEP Certified (250 to 10,000 lb capacities)

Part Number/Price

| Part # | Description | Est. Weight | Price |
|--------|---|-------------|------------|
| 207063 | 250 lb (125 kg) 0.1 lb (0.05 kg) | 22 lb | \$2,750.00 |
| 208091 | 500 lb (250 kg) 0.2 lb (0.1 kg) | 22 lb | \$2,750.00 |
| 207064 | 1,000 lb (500 kg) 0.5 lb (0.2 kg) | 22 lb | \$2,930.00 |
| 208138 | 2,000 lb (1,000 kg) 1 lb (0.5 kg) | 22 lb | \$2,930.00 |
| 207065 | 5,000 lb (2,500 kg) 2 lb (1 kg) | 39 lb | \$3,620.00 |
| 208092 | 10,000 lb (5,000 kg) 5 lb (2 kg) | 39 lb | \$3,620.00 |
| 207067 | 15,000 lb (7,000 kg) 5 lb (2 kg) | 67 lb | \$5,450.00 |
| 207633 | 250 lb (125 kg), RF Modem 0.1 lb (0.05 kg) | 22 lb | \$2,930.00 |
| 208096 | 500 lb (250 kg), RF Modem 0.2 lb (0.1 kg) 22 lb | 22 lb | \$2,930.00 |
| 207635 | 1,000 lb (500 kg), RF Modem 0.5 lb (0.2 kg) 22 lb | 22 lb | \$3,110.00 |
| 208140 | 2,000 lb (1,000 kg), RF Modem 1 lb (0.5 kg) | 22 lb | \$3,110.00 |
| 207637 | 5,000 lb (2,500 kg), RF Modem 2 lb (1 kg) 39 lb | 39 lb | \$3,790.00 |
| 208098 | 10,000 lb (5,000 kg), RF Modem 5 lb (2 kg) 39 lb | 39 lb | \$3,790.00 |
| 207639 | 15,000 lb (7,000 kg), RF Modem 5 lb (2 kg) 67 lb | 67 lb | \$5,650.00 |
| 207640 | 250 lb (125 kg), with Wi-Fi 0.1 lb (0.05 kg) 22 lb | 22 lb | \$3,075.00 |
| 208100 | 500 lb (250 kg), with Wi-Fi 0.2 lb (0.1 kg) 22 lb | 22 lb | \$3,075.00 |
| 207642 | 1,000 lb (500 kg), with Wi-Fi 0.5 lb (0.2 kg) 22 lb | 22 lb | \$3,230.00 |
| 208141 | 2,000 lb (1,000 kg), with Wi-Fi 1 lb (0.5 kg) 22 lb | 22 lb | \$3,230.00 |
| 207644 | 5,000 lb (2,500 kg), with Wi-Fi 2 lb (1 kg) 39 lb | 39 lb | \$3,945.00 |
| 208102 | 10,000 lb (5,000 kg), with Wi-Fi 5 lb (2 kg) 39 lb | 39 lb | \$3,945.00 |
| 207646 | 15,000 lb (7,000 kg), with Wi-Fi 5 lb (2 kg) | 67 lb | \$5,800.00 |

*Please review the Overhead Weighing Safety Guide

Options

(Contact MSI for application consultation)

- RF modem install for connectivity to MSI-8000, MSI-8000HD RF, MSI-8004HD RF remote display, TranSend™ and LaserLight2™ remote display (Typical range 100-300 ft line of sight)
- Rugged Remote (Requires 3460RF version, typical range 50 ft line of sight)
- Universal direct power supply (115/230 VAC)
- Audible alarm
- Wi-Fi communication is available for specialty applications

Specifications

Power:

6 volt rechargeable battery. 115/230 VAC battery charger is included

Resolution:

2,500 d max standard (up to 10,000 d max non-standard)

Accuracy:

±0.1% (+1 d) of applied load

Annunciators:

COZ, net, gross, to tal, peak, low battery, lb/kg, motion, setpoints, ACK IN, ACK OUT, RF

Display:

Five-digit, 1.5 in (38 mm) LED with programmable brightness control; toggle between red, orange, green digits

Displayable Units:

Pounds or kilogram selectable

Keys/Buttons:

Power, zero, tare, user (programmable)

Temperature:

Certified: 14 °F to 104 °F (-10 °C to 40 °C)
Operating: -40 °F to 104 °F (-40 °C to 40 °C)

Rating/Material:

NEMA 4, IP65, powder coated cast aluminum

Design Overload:

200% Safe/500% Ultimate

Operating Time:

Up to 80 hours between charging with typical use. Less with optional RF model link

Auto-Off Mode:

Select for 15, 30, 45, 60 minutes or off

Auto Sleep Mode:

Power down during non-use and power up with weight change or any key press

Service Counters:

Counts number of lifts over percentage of capacity and lifts over capacity

Filtering:

OFF, LO, HI-1, HI-2 selectable

Warranty:

One-year limited

Approvals:

NTEP 86-021: 250 to 10,000 lb
OIML R76/2006-A-NL1-21.36
CE
UKCA

MSI-3460 Challenger 3

Crane Scale

Options/Accessories

| Part # | Description | Est. Weight | Price |
|---------|---|-------------|------------|
| 140049 | Battery assembly, 6 volt rechargeable | 3 lb | \$190.00 |
| 139152 | Universal 115/230 VAC, 50/60 Hz battery charger (NA plug standard) | 5 lb | \$220.00 |
| 139153 | Battery charger, 115/230 VAC, 50/60 Hz (EU, Type 3 plug standard) | 5 lb | \$220.00 |
| 197201 | Battery charger, 115 VAC, 50/60 Hz (NA plug standard) CEC compliant | 5 lb | \$255.00 |
| 149549 | Universal 115/230 VAC 50/60 Hz (NA plug standard) battery charger for MSI-8000 remote display | 3 lb | \$180.00 |
| 178004 | LaserLight2, 4 in (100 mm) six-digit RF scoreboard (requires MSI-3460 with RF modem) | 21 lb | \$3,350.00 |
| 178006 | LaserLight2, 6 in (150 mm) six-digit RF scoreboard (requires MSI-3460 with RF modem) | 37 lb | \$3,850.00 |
| Consult | AC power supply | - | \$325.00 |
| 140058 | AC conversion kit | 1 lb | \$500.00 |
| Consult | Audible alarm | - | \$420.00 |
| 222746 | Retrofit kit | 3 lb | \$1,225.00 |
| 173014 | Rugged Remote control (requires MSI-3460 with RF modem) | 3 lb | \$375.00 |
| 139381 | MSI-8000 RF remote display (requires MSI-3460 with RF modem) | 5 lb | \$1,530.00 |
| 153591 | MSI-8000HD ScaleCore RF remote display (requires MSI-3460 with RF modem) | - | \$1,675.00 |
| 178281 | MSI-8004HD AC, red/green 85~264 VAC, 47~440 Hz, 120~370 VDC | - | \$1,785.00 |

OVERHEAD
WEIGHING

MSI-4260 Port-A-Weigh

Industrial Crane Scale



Shown with lifting eye

Approvals



Measurement
Canada
Approved

Standard Features

- Multi-color LED display
- Top lifting eye or shackle with Crosby® (or equivalent) 360° thrust-bearing swivel hook
- 12 volt rechargeable battery and universal 115/230 VAC, 50/60 Hz battery charger (NA plug standard)

Options

(Contact MSI for application consultation)

- Rugged Remote control
- RF modem install for connectivity to MSI-8000, MSI-8000HD RF, MSI-8004HD RF remote display, TranSend™ and LaserLight2™ remote display. Typically 100 to 300 ft, line of sight; for longer range consult factory
- Anti-heat shielding for high temperature applications
- Substitute bottom swivel hook with shackle
- Oversized top lifting eye or shackle
- Oversized bottom hook
- Universal direct power supply; 85 to 265 VAC, 47 to 440 Hz / 130 to 300 VDC
- Wi-Fi communication is available for specialty applications and for use with the ScaleCore Webservice
- Low headroom top adapter
- Audible alarm
- Custom top and bottom interfaces
- Factory Mutual and ATEX approved intrinsically safe models available

Part Number/Price

| Part # | Description | Resolution | Est. Weight | Price |
|---------|--|-----------------|-------------|-------------|
| 197760 | 500 lb (250 kg), swivel hook, F/A | 0.2 lb (0.1 kg) | 53 lb | \$5,670.00 |
| 197761 | 2,000 lb (1,000 kg), swivel hook, F/A | 1.0 lb (0.5 kg) | 53 lb | \$5,700.00 |
| 197762 | 5,000 lb (2,500 kg), swivel hook, F/A | 1.0 lb (0.5 kg) | 62 lb | \$6,440.00 |
| 197763 | 10,000 lb (5,000 kg), swivel hook, F/A | 2.0 lb (1.0 kg) | 62 lb | \$6,440.00 |
| 197764 | 20,000 lb (10,000 kg), swivel hook, F/A | 5.0 lb (2.0 kg) | 105 lb | \$7,430.00 |
| 197765 | 30,000 lb (15,000 kg), swivel hook, F/A | 10 lb (5.0 kg) | 125 lb | \$7,530.00 |
| 197766* | 50,000 lb (25,000 kg), swivel hook, F/A | 10 lb (5.0 kg) | 235 lb | \$14,200.00 |
| 197767* | 70,000 lb (35,000 kg), swivel hook, F/A | 20 lb (10 kg) | 270 lb | \$18,690.00 |
| 197768* | 100,000 lb (50,000 kg), swivel hook, F/A | 20 lb (10 kg) | 420 lb | \$27,080.00 |

*Comes with top shackle instead of lifting eye
Please review the Overhead Weighing Safety Guide

Specifications

Power:

12 V rechargeable battery (115/230 VAC battery charger is included)

Resolution:

2,000 to 5,000 d standard
(Up to 10,000 d available)

Accuracy:

±0.1% +1d of applied load

Annunciators:

COZ, net, gross, total, peak, low battery, lb/kg, motion, set points

Display:

1.2 in (30 mm), 5-digit, programmable LED display, multi-color (red, orange, green)

Displayable Units:

Pounds or kilograms selectable

Keys/Buttons:

Power, zero, tare, F1 (programmable)

Temperature:

Certified: 14 °F to 104 °F (-10 °C to 40 °C)
Operating: -40 °F to 122 °F (-40 °C to 50 °C)

Rating/Material:

NEMA Type 4, IP66 marine grade 356 alloy anodized cast aluminum

Design Overload:

200% Safe / 500% Ultimate (except where noted)

Operating Time:

Up to 200 hours between charging with typical use, less with optional RF modem

Auto-Off Mode:

Select for 15, 30, 45 minutes, 1 hour or off

Auto Sleep Mode:

Power down during non-use and power up with weight change or any key press

Service Counters:

Counts number of lifts over percentage of capacity and lifts over capacity

Filtering:

OFF, LO, HI-1, HI-2 selectable

Warranty:

One-year limited

Approvals:

NTEP 19-122: 500 to 70,000 lb
Measurement Canada AM-6198: 500 to 5,000 lb
Measurement Canada AM-6249: 10,000 to 20,000 lb

OVERHEAD
WEIGHING

MSI-4260 Port-A-Weigh

Industrial Crane Scale

Options/Accessories

| Part # | Description | Est. Weight | Price |
|-------------------------------------|--|-------------|------------|
| 150971 | MSI RF modem option kit (used with MSI-4260, MSI-4260M, MSI-9600HT) | - | \$265.00 |
| 139381 | MSI-8000 RF remote display (requires MSI-4260 with RF modem) | 5 lb | \$1,530.00 |
| 173014 | RF Rugged Remote control (requires MSI-4260 with RF modem) | 3 lb | \$375.00 |
| 153591 | MSI-8000HD remote display, AC power and tilt bracket option (requires MSI-4260 equipped with RF modem) | 3 lb | \$1,675.00 |
| 178281 | MSI-8004HD AC, red/green 85~264 VAC, 47~440 Hz, 120~370 VDC (requires MSI-4260 equipped with RF modem) | - | \$1,785.00 |
| 159221 | Universal crane scale transport cart | 180 lb | \$1,425.00 |
| 178004 | LaserLight2, 4 in (100 mm) six-digit RF scoreboard (requires MSI-4260 equipped with RF modem) | 21 lb | \$3,350.00 |
| 178006 | LaserLight2, 6 in (150 mm) six-digit RF scoreboard (requires MSI-4260 equipped with RF modem) | 37 lb | \$3,850.00 |
| Consult | AC direct power supply | - | \$560.00 |
| Consult | Audible alarm | - | \$420.00 |
| Consult | Anti-heat shield | - | \$1,125.00 |
| 219296 | Retrofit kit | 5 lb | \$2,650.00 |
| 176956 | Wi-Fi modem option kit (used in MSI-4260, MSI-4260M, MSI-6360, MSI-9600HT) | - | \$490.00 |
| 150367 | Battery assembly, 12 V rechargeable | 7 lb | \$170.00 |
| 138006 | Universal 115/230 VAC, 50/60 Hz battery charger (NA plug standard) | 4 lb | \$360.00 |
| 138007 | Universal 115/230 VAC, 50/60 Hz battery charger (UK plug standard) | 4 lb | \$370.00 |
| 138008 | Universal 115/230 VAC, 50/60 Hz battery charger (EC plug standard) | 4 lb | \$370.00 |
| 149549 | Universal 115/ 230 VAC 50/60 Hz (NA plug standard) battery charger for MSI-8000 remote display | 3 lb | \$180.00 |
| Sub Hook with Shackle | | | |
| Consult | 500 to 10,000 lb, 6.5 ton shackle | - | Consult |
| Consult | 20,000 to 30,000 lb, 17 ton shackle | - | Consult |
| Consult | 50,000 lb, 25 ton shackle | - | Consult |
| Consult | 70,000 lb, 40 ton shackle | - | Consult |
| Consult | 100,000 lb, 55 ton shackle | - | Consult |
| Oversize Lifting Eye/Shackle | | | |
| Consult | 500 to 10,000 lb capacity | - | Consult |
| Consult | 20,000 to 30,000 lb capacity, adapter with 25 ton shackle | - | Consult |
| Consult | 50,000 to 70,000 lb capacity | - | Consult |
| Consult | 100,000 lb capacity | - | Consult |

OVERHEAD
WEIGHING

MSI-4260 IS Port-A-Weigh

Intrinsically Safe Crane Scale



Approvals



Measurement
Canada
Approved



Standard Features

- LED display
- Top lifting eye or shackle with Crosby® (or equivalent) 360° thrust-bearing swivel hook
- 12 volt rechargeable battery and universal 115/230 VAC, 50/60 Hz battery charger (NA plug standard)

(Contact MSI for application consultation)

Part Number/Price

| Part # | Description | Resolution | Price |
|--------|-------------------------------------|-----------------|-------------|
| 156013 | 500 lb (250 kg), swivel hook | 0.2 lb (0.1 kg) | \$7,650.00 |
| 156014 | 2,000 lb (1,000 kg), swivel hook | 1.0 lb (0.5 kg) | \$7,650.00 |
| 156015 | 5,000 lb (2,500 kg), swivel hook | 1.0 lb (0.5 kg) | \$7,650.00 |
| 156016 | 10,000 lb (5,000 kg), swivel hook | 2.0 lb (1.0 kg) | \$7,650.00 |
| 156017 | 20,000 lb (10,000 kg), swivel hook | 5.0 lb (2.0 kg) | \$9,700.00 |
| 156018 | 30,000 lb (15,000 kg), swivel hook | 10 lb (5.0 kg) | \$9,700.00 |
| 156019 | 50,000 lb (25,000 kg), swivel hook | 10 lb (5.0 kg) | \$15,500.00 |
| 156020 | 70,000 lb (35,000 kg), swivel hook | 20 lb (10 kg) | \$19,500.00 |
| 156021 | 100,000 lb (50,000 kg), swivel hook | 20 lb (10 kg) | \$29,000.00 |

Capacities over 70,000lb are not NTEP

Options/Accessories

| Part # | Description | Price |
|--------|-----------------|----------|
| 170606 | Battery charger | \$350.00 |
| 167777 | Spare battery | \$310.00 |

*Please review the Overhead Weighing Safety Guide

Specifications

Power:

12 V rechargeable battery
(115/230 VAC approved battery charger is included)

Resolution:

3,000 to 5,000 d standard
(up to 10,000 d available)

Accuracy:

± (0.1% +1 d) of applied load

Annunciators:

COZ, net, gross, total, peak, low battery, lb/kg,
motion, setpoints

Display:

Five-digit, 1.2 in (30 mm) LED with programmable
brightness control

Displayable Units:

Pounds or kilograms selectable

Keys/Buttons:

Power, zero, tare, Mode F1 (programmable)

Temperature:

Certified: 14 °F to 104 °F (-10 °C to 40 °C)

Rating/Material:

NEMA Type 4, IP66 marine grade 356 alloy
anodized cast aluminum

Design Overload:

200% Safe / 500% Ultimate (except where noted)

Operating Time:

Up to 80 hours between charging with typical use

Auto-Off Mode:

Select for 15, 30, 45 minutes, 1 hour or Off

Auto Sleep Mode:

Power down during non-use and power up with
weight change or any key press

Service Counters:

Counts number of lifts over percentage of capacity
and lifts over capacity

Filtering:

OFF, LO, HI-1, HI-2 selectable

Warranty:

One-year limited

Intrinsic Safety:

USA Listings
FM16US0156X
IS Class I, Division 1, Groups C, D; T4 - PN 184530
IS Class II, Division 1, Groups, E, F, G; T4; Class III,
Division 1 - PN 184530
Class I, Zone 0, AEx ia IIB T4 Ga - PN 184530
Class I, Zone 20, AEx ia IIIC T135°C Da - PN 184530
Ta = -20 °C to +50 °C
Canada Listings
FM16CA0092X
Ex ia Class I, Division 1, Groups C, D; T4 - PN 184530
Ex ia Class II, Division 1, Groups E, F, G, Class III,
Division 1; T4 - PN 184530
Class I, Zone 0, Ex ia IIB T4 Ga - PN 184530
Class I, Zone 20, Ex ia IIIC T135°C Da - PN 184530
TA = -10 °C to +50 °C
ATEX / UKEX Listings
FM18ATEX0052X
FM21UKEX0104X
II 1 G Ex ia IIB T4 Ga
II 1 D Ex ia IIIC T135°C Da
-10 °C Ta +50 °C

Approvals:

NTEP 19-122: 500 to 70,000 lb
Measurement Canada AM-6198: 500 to 5,000 lb
Measurement Canada AM-6249:
10,000 to 20,000 lb
cFMus Approved

OVERHEAD
WEIGHING

MSI-4260M Port-A-Weigh

Industrial Crane Scale



Standard Features

- LCD display
- IP66 cast aluminum
- Top lifting eye or shackle with Crosby® (or equivalent) 360° thrust-bearing swivel hook
- Battery operated, six (6) D cell 1.5V alkaline batteries or 12 volt rechargeable battery (115/230 VAC battery charger is included)

Options

(Contact MSI for application consultation)

- Rugged Remote
- RF modem install for connectivity to MSI-8000, MSI-8000HD RF, MSI-8004HD RF remote display, TranSend™ and LaserLight2™ remote display
- Wi-Fi communication available for specialty applications
- Substitute bottom swivel hook with shackle
- Oversized top lifting eye or shackle
- Oversized bottom hook
- Universal direct power supply; 85 to 265 VAC, 47 to 440 Hz/130 to 300 VDC
- Low headroom top adapter
- Audible alarm
- Custom top and bottom interfaces

Specifications

Power:

Battery operated, six (6) D cell 1.5 V alkaline batteries or 12 V rechargeable battery (115/230 VAC battery charger is included)

Resolution:

Max NTEP Approved Class III: 2,500 d
Max NTEP Approved Class III: 5,000 d
Max Non-NTEP Approved: 10,000 d

Accuracy:

±0.1% +1 d of applied load

Annunciators:

COZ, battery level, net, total, lb/kg, stability, RF and setpoint LEDs

Display:

Five-digit, 1.75 in (44.5 mm) LCD with programmable brightness control

Displayable Units:

Pounds or kilograms select able

Keys/Buttons:

Power: Turns unit on or off
Zero: Zeros applied load up to 100% of capacity (limited range in NTEP configuration)
Tare: Tares applied load and displays weight in Net mode
User: Programmable as test, total, unit, peak hold, net/gross, view total and print

Temperature:

Certified: 14 °F to 104 °F (-10 °C to 40 °C)
Operating: -20 °F to 122 °F (-28 °C to 50 °C)

Rating/Material:

IP66 cast aluminum

Design Overload:

200% Safe / 500% Ultimate (except where noted)

Operating Time:

Six (6) D Cell 1.5V alkaline batteries:
Up to 1,000 hours of battery life with typical use, less with RF modem
12 volt rechargeable battery: Up to 250 hours between charging with typical use, less with RF modem

Auto-Off Mode:

Powers off after the scale is not used for the set time (in minutes); 15, 30, 45, 60 or OFF selectable

Auto Sleep Mode:

Power down during non-use after the set time (in minutes) and powers up with weight change or any key press; 5, 15, 30 or OFF selectable

Service Counters:

Counts number of lifts over percentage of capacity and lifts over capacity

Filtering:

OFF, LO, HI-1 or HI-2 selectable

Radio Link:

802.15.4 at 2.4 GHz

Radio Effective Range:

Typically 100 to 300 ft line of sight

Warranty:

One-year limited

Approvals:

NTEP 19-122: 500 to 70,000 lb
Measurement Canada AM-6198: 500 to 5,000 lb
Measurement Canada AM-6249: 10,000 to 20,000 lb

Approvals



Measurement
Canada
Approved

Part Number/Price

| Part # | Description | Resolution | Est. Weight | Price |
|-----------------------|--|-----------------|-------------|-------------|
| Battery | | | | |
| 201951 | 500 lb (250 kg) with 12V battery F/A | 0.2 lb (0.1 kg) | 53 lb | \$5,650.00 |
| 201953 | 2,000 lb (1,000 kg) with 12V battery F/A | 1.0 lb (0.5 kg) | 53 lb | \$5,650.00 |
| 201954 | 5,000 lb (2,500 kg) with 12V battery F/A | 1.0 lb (0.5 kg) | 62 lb | \$6,150.00 |
| 201955 | 10,000 lb (5,000 kg) with 12V battery F/A | 2.0 lb (1.0 kg) | 62 lb | \$6,150.00 |
| 201956 | 20,000 lb (10,000 kg) with 12V battery F/A | 5.0 lb (2.0 kg) | 105 lb | \$8,225.00 |
| 201957 | 30,000 lb (15,000 kg) with 12V battery F/A | 10 lb (5.0 kg) | 125 lb | \$8,650.00 |
| 201958 | 50,000 lb (25,000 kg) with 12V battery F/A | 10 lb (5.0 kg) | 235 lb | \$13,200.00 |
| 201959 | 70,000 lb (35,000 kg) with 12V battery F/A | 20 lb (10 kg) | 270 lb | \$16,850.00 |
| 201960 | 100,000 lb (50,000 kg) with 12V battery F/A | 20 lb (10 kg) | 420 lb | \$26,000.00 |
| D-Cell Battery | | | | |
| 201999 | 500 lb (250 kg) with D-cell battery F/A | 0.2 lb (0.1 kg) | 53 lb | \$5,650.00 |
| 202000 | 2,000 lb (1,000 kg) with D-cell battery F/A | 1.0 lb (0.5 kg) | 53 lb | \$5,650.00 |
| 202001 | 5,000 lb (2,500 kg) with D-cell battery F/A | 1.0 lb (0.5 kg) | 62 lb | \$6,150.00 |
| 202002 | 10,000 lb (5,000 kg) with D-cell battery F/A | 2.0 lb (1.0 kg) | 62 lb | \$6,150.00 |
| 202003 | 20,000 lb (10,000 kg) with D-cell battery F/A | 5.0 lb (2.0 kg) | 105 lb | \$8,225.00 |
| 202004 | 30,000 lb (15,000 kg) with D-cell battery F/A | 10 lb (5.0 kg) | 125 lb | \$8,650.00 |
| 202005 | 50,000 lb (25,000 kg) with D-cell battery F/A | 10 lb (5.0 kg) | 235 lb | \$13,200.00 |
| 202006 | 70,000 lb (35,000 kg) with D-cell battery F/A | 20 lb (10 kg) | 270 lb | \$16,850.00 |
| 202007 | 100,000 lb (50,000 kg) with D-cell battery F/A | 20 lb (10 kg) | 420 lb | \$26,000.00 |

Capacities over 70,000lb are not NTEP and capacities over 20,000 lb are not currently Measurement Canada

*Please review the Overhead Weighing Safety Guide

OVERHEAD
WEIGHING

MSI-4260M Port-A-Weigh

Industrial Crane Scale

Options/Accessories

| Part # | Description | Est. Weight | Price |
|-------------------------------------|---|-------------|------------|
| 150971 | MSI RF modem option kit (used in MSI-4260, MSI-4260M, MSI-9600HT) | - | \$265.00 |
| 139381 | MSI-8000 RF remote display (requires MSI-4260M with RF modem) | 5 lb | \$1,530.00 |
| 173014 | RF Rugged Remote control (requires MSI-4260M with RF modem) | 3 lb | \$375.00 |
| 153591 | MSI-8000HD remote display, AC power and tilt bracket option (requires MSI-4260M equipped with RF modem) | 3 lb | \$1,675.00 |
| 178281 | MSI-8004HD AC, red/green 85~264 VAC, 47~440 Hz, 120~370 VDC | - | \$1,785.00 |
| 159221 | Universal crane scale transport cart | 180 lb | \$1,425.00 |
| 178004 | LaserLight2, 4 in (100 mm) six-digit RF scoreboard (requires MSI-4260M equipped with RF modem) | 21 lb | \$3,350.00 |
| 178006 | LaserLight2, 6 in (150 mm) six-digit RF scoreboard (requires MSI-4260M equipped with RF modem) | 37 lb | \$3,850.00 |
| 176956 | Wi-Fi modem option kit (used in MSI-4260, MSI-4260M, MSI-6360, MSI-9600HT) | - | \$490.00 |
| 219297 | Retrofit kit | - | \$2,775.00 |
| Accessories | | | |
| 150367 | Battery assembly, 12 V rechargeable | 7 lb | \$170.00 |
| 138006 | Universal 115/230 VAC, 50/60 Hz battery charger (NA plug standard) | 4 lb | \$360.00 |
| 138007 | Universal 115/230 VAC, 50/60 Hz battery charger (UK plug standard) | 4 lb | \$370.00 |
| 138008 | Universal 115/230 VAC, 50/60 Hz battery charger (EC plug standard) | 4 lb | \$370.00 |
| 149549 | Universal 115/ 230 VAC 50/60 Hz (NA plug standard) battery charger for MSI-8000 remote display | 3 lb | \$180.00 |
| Sub Hook with Shackle | | | |
| Consult | 500 to 10,000 lb, 6.5 ton shackle | - | Consult |
| Consult | 20,000 to 30,000 lb, 17 ton shackle | - | Consult |
| Consult | 50,000 lb, 25 ton shackle | - | Consult |
| Consult | 70,000 lb, 40 ton shackle | - | Consult |
| Consult | 100,000 lb, 55 ton shackle | - | Consult |
| Oversize Lifting Eye/Shackle | | | |
| Consult | 500 to 10,000 lb capacity | - | Consult |
| Consult | 20,000 to 30,000 lb capacity, adapter with 25 ton shackle | - | Consult |
| Consult | 50,000 to 70,000 lb capacity | - | Consult |
| Consult | 100,000 lb capacity | - | Consult |

OVERHEAD
WEIGHING

MSI-4260M Port-A-Weigh

Marine Crane Scale



Standard Features

- LCD display
- IP66 cast aluminum
- Top lifting eye with lower link interface
- Battery operated, six (6) D cell 1.5 V alkaline batteries

Options

(Contact MSI for application consultation)

- Rugged Remote
- RF modem install for connectivity to MSI-8000, MSI-8000HD, MSI-8004HD, TranSend™ and LaserLight2™ remote display. Typically 100 to 300 ft, line of sight; for longer range consult factory.
- Wi-Fi communication is available for specialty applications

Specifications

Power:

Battery operated, six (6) D cell
1.5 V alkaline batteries

Resolution:

Max NTEP Approved Class III: 5,000 Divisions
Max Non NTEP Approved: 10,000 Divisions

Accuracy:

±(0.1% +1 d) of applied load

Annunciators:

CO2, battery level, net, total, lb/kg, stability, RF and setpoint LEDs

Display:

Five-digit, 1.75 in (44.5 mm) LCD with programmable brightness control

Displayable Units:

Pounds or kilograms selectable

Keys/Buttons:

Power: Turns unit on or off
Zero: Zeros applied load up to 100% of capacity (limited range in NTEP configuration),
Tare: Tares applied load and displays weight in net mode
User: Programmable as test, total, unit, peak hold, net/gross, view total and print

Temperature:

Certified: 14 °F to 104 °F (-10 °C to 40 °C)
Operating: -20° F to 122° F (-28 °C to 50 °C)

Rating/Material:

IP66 cast aluminum

Design Overload:

200% Safe / 500% Ultimate

Operating Time:

Up to 1,000 hours of battery life with typical use, less with RF modem option

Auto-Off Mode:

Powers off after the scale is not used for the set time (in minutes); 15, 30, 45, 60 or off selectable

Auto Sleep Mode:

Power down during non-use after the set time (in minutes) and powers up with weight change or any key press; 5, 15, 30 or OFF selectable

Service Counters:

Counts number of lifts over percentage of capacity and lifts over capacity

Filtering:

OFF, LO, HI-1 or HI-2 selectable

Radio Link:

802.15.4 at 2.4 GHz

Radio Effective Range:

Typically 100 to 300 ft line of sight

Warranty:

One-year limited

Approvals:

NTEP 19-122
Measurement Canada AM-6198

Approvals



Measurement
Canada
Approved

Part Number/Price

| Part # | Description | Resolution | Est. Weight | Price |
|--------|---------------|-----------------|-------------|------------|
| 194593 | 5,000 lb | 1.0 lb (0.5 kg) | 58 lb | \$5,750.00 |
| 196908 | 5,000 lb w/RF | 1.0 lb (0.5 kg) | 58 lb | \$6,075.00 |

Options/Accessories

| Part # | Description | Est. Weight | Price |
|--------|---|-------------|------------|
| 139381 | MSI-8000 RF remote display (requires MSI-4260M with RF modem) | 5 lb | \$1,530.00 |
| 173014 | RF Rugged Remote control (requires MSI-4260M with RF modem) | 3 lb | \$375.00 |
| 153591 | MSI-8000HD remote display, AC power and tilt bracket option (requires MSI-4260M equipped with RF modem) | 3 lb | \$1,675.00 |
| 178281 | MSI-8004HD AC, red/green 85~264 VAC, 47~440 Hz, 120~370 VDC | - | \$1,785.00 |
| 159221 | Universal crane scale transport cart | 180 lb | \$1,425.00 |
| 178004 | LaserLight2, 4 in (100 mm) six-digit RF scoreboard (requires MSI-4260M equipped with RF modem) | 21 lb | \$3,350.00 |
| 178006 | LaserLight2, 6 in (150 mm) six-digit RF scoreboard (requires MSI-4260M equipped with RF modem) | 37 lb | \$3,850.00 |
| 176956 | Wi-Fi modem option kit (used in MSI-4260, MSI-4260M, MSI-6360, MSI-9600HT) | - | \$490.00 |

*Please review the Overhead Weighing Safety Guide

OVERHEAD
WEIGHING

MSI-9600HT Hi-torque Port-A-Weigh Plus

Crane Scale



Approvals



Standard Features

- Multi-color LED display
- 12 volt rechargeable battery and universal 115/230 VAC, 50/60 Hz battery charger (NA plug standard)
- Shackle is optional and Crosby® fixed hook provided as standard
- Hi-torque load train designed for use with powered rotation

Part Number/Price

| Part # | Description | Resolution | Est. Weight | Price |
|---------|-----------------------------|-----------------|-------------|-------------|
| 214371 | 10,000 lb (5000 kg) F/A | 2.0 lb (1.0 kg) | 62 lb | \$14,400.00 |
| 214370 | 30,000 lb (15,000 kg) F/A | 10 lb (5.0 kg) | 125 lb | \$14,400.00 |
| 214369 | 70,000 lb (35,000 kg) F/A | 20 lb (10 kg) | 270 lb | \$20,400.00 |
| 214477 | 100,000 lb (50,000 kg) F/A | 20 lb (10 kg) | 420 lb | Consult |
| 214474 | 120,000 lb (60,000 kg) F/A | 50 lb (20 kg) | 550 lb | Consult |
| 214479* | 200,000 lb (100,000 kg) F/A | 100 lb (50 kg) | 1,100 lb | Consult |

* 400% Ultimate overload

Options/Accessories

| Part # | Description | Est. Weight | Price |
|--------------------|--|-------------|------------|
| 144126 | Top lifting shackle 9.5 ton for 10,000 lb cap unit | - | Consult |
| 141992 | Top lifting shackle Crosby® G2130 17 ton for 30,000 lb cap unit | - | Consult |
| 146335 | Top lifting shackle Crosby® G2140 40 ton for 70,000 lb cap unit | - | Consult |
| 146336 | Top lifting shackle Crosby® G2140 55 ton for 120,000 lb cap unit | - | Consult |
| 150971 | MSI RF modem option kit (used in MSI-4260, MSI-4260M, MSI-9600HT) | 3 lb | \$265.00 |
| 173014 | RF Rugged Remote control (requires MSI-9600HT with RF modem) | 3 lb | \$375.00 |
| 153591 | MSI-8000HD RF remote display AC powered (no A/D) | 180 lb | \$1,675.00 |
| 178004 | LaserLight2, 4 in (100 mm) six-digit RF scoreboard | 21 lb | \$3,350.00 |
| 178006 | LaserLight2, 6 in (150 mm) six-digit RF scoreboard | 37 lb | \$3,850.00 |
| 159221 | Universal crane scale transport cart | - | \$1,425.00 |
| Consult | AC direct power supply | - | \$560.00 |
| Consult | Anti-heat shield | - | \$1,125.00 |
| Consult | Audible alarm | - | \$420.00 |
| 176956 | Wi-Fi modem option kit (used in MSI-4260, MSI-4260M, MSI-6360, MSI-9600HT) | - | \$490.00 |
| 219713 | Retrofit kit | - | \$2,700.00 |
| Accessories | | | |
| 150367 | Battery assembly, 12 V rechargeable | 7 lb | \$170.00 |
| 138006 | Universal 115/230 VAC, 50/60 Hz battery charger (NA plug standard) | 4 lb | \$360.00 |
| 138007 | Universal 115/230 VAC, 50/60 Hz battery charger (UK plug standard) | 4 lb | \$370.00 |
| 138008 | Universal 115/230 VAC, 50/60 Hz battery charger (EC plug standard) | 4 lb | \$370.00 |

*Please review the Overhead Weighing Safety Guide

Options

(Contact MSI for application consultation)

- Top shackle
- Rugged Remote
- Anti-heat shielding
- Substitute bottom hook with shackle
- Oversized top or shackle
- Oversized bottom hooks
- Universal direct power supply
- Wi-Fi communication
- RF modem install for connectivity to MSI-8000, MSI-8000HD RF, MSI-8004HD RF remote display, TranSend™ and LaserLight2™ remote display
- Typically 100 to 300 ft, line of sight; for longer range consult factory
- Low headroom top adapter
- Audible alarm
- Custom top and bottom interfaces

Specifications

Power:

12 V rechargeable battery, 115/230 VAC battery charger included

Resolution:

2,400 to 5,000 d standard
(Up to 10,000 d available)

Accuracy:

10,000 to 120,000 lb: ± (0.1% +1 d) of capacity
200,000 lb: ± (0.2% +1 d) of capacity

Display:

1.5 in (38 mm, 6-digit, programmable LED display, multi-color (red, orange, and green)

Displayable Units:

Pounds or kilograms selectable

Keys/Buttons:

Power: Turns unit on or off
Zero: Zeros applied load up to 100% of capacity
Tare: Tares applied load and displays weight in net
Mode F1: Programmable as test, units, net/gross, total and peak hold

Temperature:

Operating: 14 °F to 131 °F (-10 °C to 55 °C)

Rating/Material:

NEMA Type 4, IP66, marine grade 356 alloy anodized cast aluminum

Design Overload:

200% Safe / 500% Ultimate (except where noted)

Operating Time:

Up to 250 hours w/o radio
Up to 75 hours w/ radio

Auto-Off Mode:

Powers off after the scale is not used for the set time (in minutes); 15, 30, 45, 60 or off selectable

Auto Sleep Mode:

Power down during non-use after the set time (in minutes) and powers up with weight change or any key press; 5, 15, 30 or OFF selectable

Service Counters:

Counts number of lifts over percentage of capacity and lifts over capacity

Filtering:

OFF, LO, HI-1 or HI-2 selectable

Radio Link:

802.15.4 at 2.4 GHz

Radio Link Effective Range:

Typically 100 to 300 ft line of sight

Warranty:

One-year limited

Approvals:

NOM

OVERHEAD
WEIGHING

MSI-6360 Trans-Weigh

Crane Scale



Approvals



Standard Features

- 12-volt rechargeable battery and universal 115/230 VAC, 50/60 Hz battery charger (NA plug standard)
- Top lifting eye or shackle with Crosby® (or equivalent) 360° thrust-bearing swivel hook
- RF modem install for connectivity to MSI-8000, MSI-8000HD RF, MSI-8004HD RF remote display, TranSend™ and LaserLight2™ remote display. Typically, 100 to 300 ft, line of sight; for longer range consult factory.
- Meets or exceeds OSHA, ANSI, ASME and other safety design standards (5:1 Ultimate Safety Factor)

Part Number/Price

| Part # | Description | Resolution | Est. Weight | Price |
|--------|----------------------------|-----------------|-------------|-------------|
| 215829 | 500 lb (250 kg) F/A | 0.2 lb (0.1 kg) | 53 lb | \$6,150.00 |
| 215830 | 2,000 lb (1000 kg) F/A | 1.0 lb (0.5 kg) | 53 lb | \$6,150.00 |
| 215831 | 5,000 lb (2500 kg) F/A | 1.0 lb (0.5 kg) | 62 lb | \$6,100.00 |
| 215832 | 10,000 lb (5000 kg) F/A | 2.0 lb (1.0 kg) | 62 lb | \$6,675.00 |
| 215833 | 20,000 lb (10,000 kg) F/A | 5.0 lb (2.0 kg) | 105 lb | \$7,725.00 |
| 215834 | 30,000 lb (15,000 kg) F/A | 10 lb (5.0 kg) | 125 lb | \$7,825.00 |
| 215835 | 50,000 lb (25,000 kg) F/A | 10 lb (5.0 kg) | 235 lb | \$15,600.00 |
| 215836 | 70,000 lb (35,000 kg) F/A | 20 lb (10 kg) | 270 lb | \$22,500.00 |
| 215837 | 100,000 lb (50,000 kg) F/A | 20 lb (10 kg) | 420 lb | \$33,100.00 |

*Please review the Overhead Weighing Safety Guide

Options

(Contact MSI for application consultation)

- Anti-heat shielding for high-temperature applications
- Rugged Remote
- Substitute bottom swivel hook with shackle
- Oversized top lifting eye or shackle
- Oversized bottom hook
- Low headroom top adapter
- Universal direct power supply; 85 to 265 VAC, 47 to 440 Hz/130 to 300 VDC
- Wi-Fi communication
- Custom top and bottom interfaces
- Crane scale cart

Specifications

Power:

12 V rechargeable battery, 115/230 VAC battery charger included

Resolution:

3,000 to 5,000 d standard
(Up to 10,000 d available)

Accuracy:

± (0.1% +1 d) of capacity

Displayable Units:

Pounds or kilograms selectable

Keys/Buttons:

On/Off

Temperature:

Certified: 14 °F to 104 °F (-10 °C to 40 °C)
Operating: -40 °F to 176 °F (-40 °C to 80 °C)

Rating/Material:

NEMA Type 4, IP66, marine grade 356 alloy anodized cast aluminum

Design Overload:

200% Safe/500% Ultimate

Operating Time:

Up to 75 hours between charging with typical use

Radio Link:

802.15.4 at 2.4 GHz

Radio Link Effective Range:

Typically 100 to 300 ft line of sight

Calibration:

Digital via MSI ScaleCore remote device

Warranty:

One-year limited

Approvals:

NTEP 19-122: 500 to 70,000 lb

OVERHEAD
WEIGHING

MSI-6360 Trans-Weigh

Crane Scale

Options/Accessories

| Part # | Description | Est. Weight | Price |
|-------------------------------------|--|-------------|------------|
| 144773 | MSI RF Module, XBEE-PRO 802.15.4 | | \$155.00 |
| 139381 | MSI-8000 RF remote display | 5 lb | \$1,530.00 |
| 173014 | Rugged Remote control | 3 lb | \$375.00 |
| 153591 | MSI-8000HD RF remote display AC powered (no A/D) | 4 lb | \$1,675.00 |
| 178281 | MSI-8004HD AC, red/green 85~264 VAC, 47~440 Hz, 120~370 VDC | - | \$1,785.00 |
| 178004 | 4 in LaserLight2 MSI RF | 21 lb | \$3,350.00 |
| 178006 | 6 in LaserLight2 MSI RF | 37 lb | \$3,850.00 |
| 159221 | Universal crane scale transport cart | 180 lb | \$1,425.00 |
| 175308 | Wi-Fi Modem 802.11 b/g | | \$155.00 |
| Consult | AC power supply | - | \$560.00 |
| Consult | Anti-heat shield | - | \$1,125.00 |
| Consult | Audible alarm | - | \$420.00 |
| 219666 | Retrofit kit | 5 lb | \$3,000.00 |
| 150367 | Battery assembly, 12 volt rechargeable | 7 lb | \$170.00 |
| 138006 | Universal 115/230 VAC, 50/60 Hz battery charger (NA plug standard) | 4 lb | \$360.00 |
| 138007 | Universal 115/230 VAC, 50/60 Hz battery charger (UK plug standard) | 4 lb | \$370.00 |
| 138008 | Universal 115/230 VAC, 50/60 Hz battery charger (EC plug standard) | 4 lb | \$370.00 |
| Sub Hook with Shackle | | | |
| Consult | 500 to 10,000 lb, 6.5 ton shackle | - | Consult |
| Consult | 20,000 to 30,000 lb, 17 ton shackle | - | Consult |
| Consult | 50,000 lb, 25 ton shackle | - | Consult |
| Consult | 70,000 lb, 40 ton shackle | - | Consult |
| Consult | 100,000 lb, 55 ton shackle | - | Consult |
| Oversize Lifting Eye/Shackle | | | |
| Consult | 500 to 10,000 lb capacity | - | Consult |
| Consult | 20,000 to 30,000 lb capacity, adapter with 25 ton shackle | - | Consult |
| Consult | 50,000 to 70,000 lb capacity | - | Consult |
| Consult | 100,000 lb capacity | - | Consult |

OVERHEAD
WEIGHING

RL101 Scale

Compact Digital Below-the-hook Scale



Remote Control

Standard Features

- Low headroom (14.5 to 16.65 in)
- Infrared remote control (up to 25 ft)
- Carrying case
- Single and multi-point calibration
- Upper and lower shackles
- Lift and weigh scale (or device)

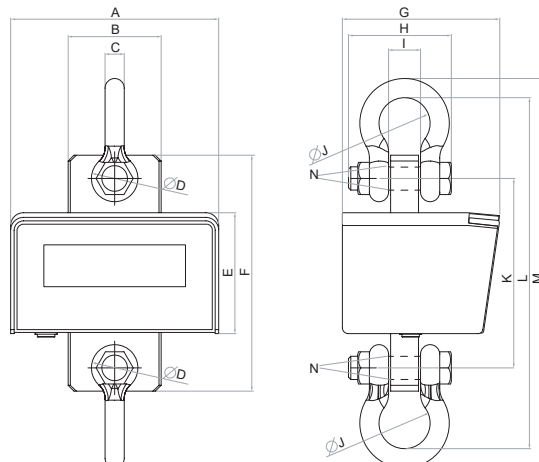
Part Number/Price

| Part # | Description | Resolution | Est. Weight | Price |
|--------|--|---|-------------|------------|
| 219144 | RL101-3k, 3,000 lb capacity, below-the-hook, multi-range | 0 to 600 lb: 0.2 lb 601 to 1,500 lb: 0.5 lb 1,501 to 3,000 lb: 1 lb | 25 lb | \$1,200.00 |
| 219145 | RL101-6k, 6,000 lb capacity, below-the-hook, multi-range | 0 to 1,500 lb: 0.5 lb 1,501 to 3,000 lb: 1 lb 3,002 to 6,000 lb: 2 lb | 32 lb | \$1,400.00 |
| 219147 | RL101-12k, 12,000 lb capacity, below-the-hook, multi-range | 0 to 3,000 lb: 1 lb 3,002 to 6,000 lb: 2 lb 6,005 to 12,000 lb: 5 lb | 32 lb | \$1,600.00 |

Dimensions

| RL101 | | | |
|-------|-----------------------------------|---|---------------------------------------|
| A | 7.09 in (180 mm) | H | 3.48 in (88.5 mm) / 4.76 in (121 mm) |
| B | 3.15 in (80 mm) | I | 3.48 in (88.5 mm) / 4.76 in (121 mm) |
| C | 0.63 in (16 mm) / 0.87 in (22 mm) | J | 1.69 in (43 mm) / 2.28 in (58 mm) |
| D | 1.58 in (40) / 2.17 in (55 mm) | K | 7.72 in (196 mm) / 7.32 in (186 mm) |
| E | 4.09 in (104 mm) | L | 13.19 in (335 mm) / 14.92 in (379 mm) |
| F | 9.69 in (246 mm) | M | 14.49 in (368 mm) / 16.65 in (423 mm) |
| G | 5.35 in (136 mm) | N | 0.83 in (21 mm) / 1.1 in (28 mm) |

*Please review the Overhead Weighing Safety Guide



Specifications

Power:

Batteries: four AA (included)

Battery Life:

Up to 40 hours, standard configuration

Resolution:

3,000 d standard

Annunciators:

COZ, net, gross, low batt, lb/kg/t, motion, active weight range and tare

Keys/Buttons:

Five key: zero, tare, mode, print and on/off

Display:

1 in (25 mm) backlight, LCD

Displayable Units:

Pounds and kilograms, selectable

Accuracy:

± 0.03% of capacity

Design Overload:

150% Safe / 500% Ultimate

Auto-Off Mode:

Off, 1-minute intervals (programmable)

Shackles:

Forged, alloy steel (6:1 safety factor)

Temperature:

Operating: 14 °F to 104 °F (-10 °C to 40 °C)

Rating/Material:

IP54

Oven-fired painted steel

Filtering:

Various: overhead weighing-dYn.0, dYn.1, dYn.2, dYn.3

Warranty:

One-year limited

OVERHEAD
WEIGHING

Crane Scale Cart

Universal Transport and Storage Cart



Standard Features

- Designed to hold MSI-4260, MSI-4260IS, MSI-4260M, MSI-4300, MSI-9600HT, MSI-6360
- Four swivel casters with brake
- Powder coated mild steel

Specifications

Warranty:

One-year limited

Part Number/Price

| Part # | Description | Est. Weight | Price |
|---------|---|-------------|------------|
| 159221 | Universal MSI Crane Scale Cart | 180 lb | \$1,425.00 |
| Consult | Modified versions of universal MSI Crane Scale Cart | - | Consult |

MSI-7300 Dyna-Link 2

Digital Tension Dynamometer



Shown with optional shackles

Part Number/Price

| Part # | Description | Resolution | Est. Weight | Price |
|---|---|-----------------|-------------|------------|
| 139162 | 1,000 lb (500 kg) F/A | 0.5 lb (0.2 kg) | 8 lb | \$1,730.00 |
| 139163 | 2,500 lb (1,250 kg) F/A | 1 lb (0.5 kg) | 9 lb | \$1,730.00 |
| 139164 | 5,000 lb (2,500 kg) F/A | 2 lb (1.0 kg) | 9 lb | \$1,730.00 |
| 139165 | 10,000 lb (5,000 kg) F/A | 5 lb (2.0 kg) | 11 lb | \$1,860.00 |
| 139166 | 25,000 lb (12,500 kg) F/A | 10 lb (5 kg) | 19 lb | \$2,500.00 |
| 139167 | 50,000 lb (25,000 kg) F/A | 20 lb (10 kg) | 29 lb | \$3,210.00 |
| 139168* | 100,000 lb (50,000 kg) F/A | 50 lb (20 kg) | 65 lb | \$4,200.00 |
| Optional Configurations (for connectivity to MSI-8000 RF Remote Display) F/A | | | | |
| 139441 | 1,000 lb (500 kg) RF module | 0.5 lb (0.2 kg) | 8 lb | \$1,960.00 |
| 139442 | 2,500 lb (1,250 kg) RF module | 1 lb (0.5 kg) | 9 lb | \$1,960.00 |
| 139443 | 5,000 lb (2,500 kg) RF module | 2 lb (1 kg) | 9 lb | \$1,960.00 |
| 139444 | 10,000 lb (5,000 kg) RF module | 5 lb (2 kg) | 11 lb | \$2,090.00 |
| 139445 | 25,000 lb (12,500 kg) RF module | 10 lb (5 kg) | 19 lb | \$2,670.00 |
| 139446 | 50,000 lb (25,000 kg) RF module | 20 lb (10 kg) | 29 lb | \$3,410.00 |
| 139447* | 100,000 lb (50,000 kg) RF module | 50 lb (20 kg) | 65 lb | \$4,400.00 |
| 159168* | 120,000 lb (60,000 kg) RF module includes MSI-8000 | 50 lb (20 kg) | 57 lb | Consult |
| 159169* | 180,000 lb (90,000 kg) RF module includes MSI-8000 | 100 lb (50 kg) | 74 lb | Consult |
| 159170* | 260,000 lb (130,000 kg) RF module includes MSI-8000 | 100 lb (50 kg) | 100 lb | Consult |
| 159171* | 380,000 lb (190,000 kg) RF module includes MSI-8000 | 200 lb (100 kg) | 169 lb | Consult |
| 159172** | 550,000 lb (275,000 kg) RF module includes MSI-8000 | 200 lb (100 kg) | 336 lb | Consult |
| Wi-Fi | | | | |
| 176813 | 1,000 lb (500 kg) F/A with Wi-Fi | 0.5 lb (0.2 kg) | 8 lb | \$1,950.00 |
| 176814 | 2,500 lb (1,250 kg) F/A with Wi-Fi | 1 lb (0.5 kg) | 9 lb | \$2,050.00 |
| 176815 | 5,000 lb (2,500 kg) F/A with Wi-Fi | 2 lb (1.0 kg) | 9 lb | \$2,050.00 |
| 176816 | 10,000 lb (5,000 kg) F/A with Wi-Fi | 5 lb (2.0 kg) | 11 lb | \$2,175.00 |
| 176817 | 25,000 lb (12,500 kg) F/A with Wi-Fi | 10 lb (5 kg) | 19 lb | \$2,800.00 |
| 176818 | 50,000 lb (25,000 kg) F/A with Wi-Fi | 20 lb (10 kg) | 29 lb | \$3,625.00 |
| 176819 | 100,000 lb (50,000 kg) F/A with Wi-Fi | 50 lb (20 kg) | 65 lb | \$4,625.00 |
| 176827 | 120,000 lb (60,000 kg) F/A with Wi-Fi | 50 lb (20 kg) | 57 lb | Consult |
| 176828 | 180,000 lb (90,000 kg) F/A with Wi-Fi | 100 lb (50 kg) | 74 lb | Consult |
| 176829 | 260,000 lb (130,000 kg) F/A with Wi-Fi | 100 lb (50 kg) | 100 lb | Consult |
| 176830 | 380,000 lb (190,000 kg) F/A with Wi-Fi | 200 lb (100 kg) | 169 lb | Consult |
| 176831 | 550,000 lb (275,000 kg) F/A with Wi-Fi | 200 lb (100 kg) | 336 lb | Consult |

* 500% Ultimate overload

** 440% Ultimate overload

*Please review the Overhead Weighing Safety Guide

Standard Features

- LCD display
- Two C-cell alkaline batteries for capacities up to 10,000 lb (5,000 kg)
- Two D-cell alkaline batteries for capacities 25,000 lb (12,500 kg) and above

Options

(Contact MSI for application consultation)

- Crosby® top and bottom shackles
- Portable transport case
- Serial output cable
- Rugged Remote (control for On/Off, Zero, Tare and other functions)
- RF modem install for connectivity to MSI-8000, MSI-8000HD RF, MSI-8004HD RF remote display and TranSend™. Typically 100 to 300 ft, line of sight, for longer range consult factory.
- Audible alarm

Specifications

Power:

Two each C-cell alkaline batteries for capacities up to 10,000 lb; two each D-cell alkaline batteries for capacities 25,000 to 550,000 lb

Accuracy:

0.1% FS of rated capacity (up to 100,000 lb)
0.5% FS of rated capacity (120,000 lb and above)

LED Annunciators:

Function 1, function 2, setpoint 1, setpoint 2

LCD Annunciators:

Net, center of zero, stable, battery test, peak hold, total

Display:

5-digit, 1.22 in (31 mm) tall, LCD - 50,000 lb and lower
6-digit, 1.00 in (25 mm) tall, LCD - 100,000 lb and higher

Displayable Units:

Pounds, kilograms, kilonewtons, tons, metric tons

Keys/Buttons:

On/Off, zero, hi-speed peak hold, setpoints, total, tare, auto-off, motion filter

Temperature:

Operating:
-4 °F to 140 °F (-20 °C to 60 °C)

Rating/Material:

NEMA Type 4, IP65, anodized corrosion-resistant finish
2024 aircraft grade aluminum
100,000 lb and above: Zinc plated, 4340 mild steel

Design Overload:

200% Safe/700% Ultimate* (except where noted)

Operating Time:

From 150 to 300 hours in typical use depending on unit capacity and battery configuration.
Approximately 25 to 30 hours with optional RF modem link installed.

Filtering:

OFF, LO, HI selectable

Data Output:

Serial RS-232

Warranty:

Two-year limited

OVERHEAD
WEIGHING

MSI-7300 Dyna-Link 2

Digital Tension Dynamometer

Options/Accessories

| Part # | Description | Est. Weight | Price |
|---------|--|-------------|------------|
| 151357* | Shackle anchor, bolt type 3.25 ton for 500 to 5,000 lb unit | 2 lb | Consult |
| 151355* | Shackle anchor, bolt type 6.5 ton for 10,000 lb unit | 3 lb | Consult |
| 141992* | Shackle anchor, bolt type 17 ton for 25,000 lb unit | 20 lb | Consult |
| 151356* | Shackle anchor, bolt type 25 ton for 50,000 lb unit | 32 lb | Consult |
| 146336* | Shackle anchor, bolt type 55 ton for 100,000 lb unit | 52 lb | Consult |
| 151359* | Shackle anchor, bolt type 85 ton for 180,000 lb unit | 103 lb | Consult |
| 151360* | Shackle anchor, bolt type 120 ton for 260,000 lb unit | 113 lb | Consult |
| 151361* | Shackle anchor, bolt type 175 ton for 380,000 lb unit | 333 lb | Consult |
| 151358* | Shackle anchor, bolt type 250 ton for 550,000 lb unit | 650 lb | Consult |
| 139381 | MSI-8000 RF remote display (requires MSI-4260 with RF modem) | 5 lb | \$1,530.00 |
| 153591 | MSI-8000HD RF remote display, A/C powered with tilt stand (requires MSI-7300 with optional RF modem) | 5 lb | \$1,675.00 |
| 165313 | Heavy-duty transport case with precision cut. Heavy duty foam for units up to 10,000 lb capacity | 10 lb | \$470.00 |
| 145076 | Transport crate for 25,000 lb and 50,000 lb capacity unit | 35 lb | \$625.00 |
| 145073 | Transport crate for 100,000 lb capacity unit | 42 lb | Consult |
| 139470 | RS-232 serial cable for MSI-7300 | 1 lb | \$180.00 |
| 178004 | LaserLight2, 4 in (100 mm) six-digit RF scoreboard (requires MSI-7300 equipped with optional RF modem) | 21 lb | \$3,350.00 |
| 178006 | LaserLight2, 6 in (150 mm) six-digit RF scoreboard (requires MSI-7300 equipped with optional RF modem) | 37 lb | \$3,850.00 |
| 149549 | Universal 115/ 230 VAC 50/60 Hz (NA plug standard) battery charger for MSI-8000 remote display | 3 lb | \$180.00 |
| 173014 | Rugged Remote control (requires MSI-7300 equipped with optional RF modem) | 3 lb | \$375.00 |
| 150964 | RS-232 13 ft (4 m) serial cable for MSI-8000 | 1 lb | \$220.00 |
| 139438 | Audible setpoint (not available with MSI-7300RF or MSI-7300WiFi) | - | \$460.00 |
| 149550 | Battery charger for MSI-8000 EC plug | - | \$180.00 |

* 2 shackles will be needed per 7300

MSI Dyna-Clamp

Tension Meter



Approvals



Part Number/Price

| Part # | Description | Tension | Est. Weight | Price |
|--------|------------------------------|-----------------------------------|-------------|------------|
| 189581 | MSI Dyna-Clamp tension meter | 12,500 lbf (5,670 kgf / 55.60 kN) | 15 lb | \$5,250.00 |

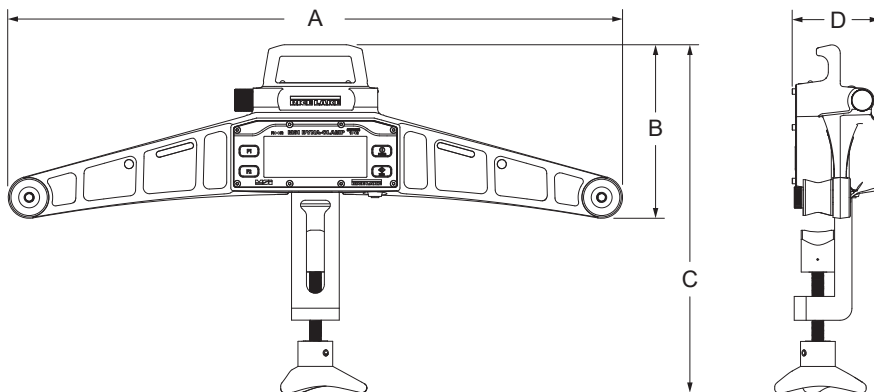
Options/Accessories

| Part # | Description | Price |
|--------|--------------------------|----------|
| 198418 | Heavy-duty carrying case | \$700.00 |

Dimensions

| MSI Dyna-Clamp | | | |
|----------------|----------------------|---|---|
| A | 25.70 in (652.80 mm) | C | 13.75 to 15.50 in (349.25 to 393.70 mm) |
| B | 7.30 in (185.50 mm) | D | 3.70 in (94 mm) |

*Please review the Overhead Weighing Safety Guide



Standard Features

- Dual line LCD display
- Two user-programmable function keys
- IP65 anodized aluminum frame
- RS-232 port
- Up to eight factory calibrations included at no additional cost

Options

(Contact MSI for application consultation)

- Heavy-duty carrying case

Specifications

Power:

Battery operated two AA cells 1.5 V alkaline batteries (can be replaced with rechargeable NiMH cells)

Resolution:

Standard: 2,500 divisions

Accuracy:

±3% of capacity

Display:

Primary display (bottom) six, 0.7 in (18 mm) numeric digits
Secondary display (top) eight, 0.5 in (13 mm) numeric digits

Displayable Units:

lbf, kgf, kN

Keys/Buttons:

Two programmable keys (user-defined) – F1, F2 (test, unit, print, scroll, actfun)
Two permanent keys – power, zero

Temperature:

Operating:
-4 °F to 122 °F (-20 °C to 50 °C)

Rating/Material:

IP65 powder-coated aluminum frame

Operating Time:

Alkaline AA-cells: 24 hours

Auto-Off Mode:

Prolongs battery life by turning power OFF after 15, 30, 45 or 60 minutes of no activity (user determined)

Setpoints:

Two dedicated setpoints for minimum and maximum allowable wire rope tension (LEDs for measurements outside of allowable range)

Wire Rope:

Diameter 3/16 in (5 mm) to 1 in (25 mm)

Max Tension:

12,500 lbf (5,670 kgf / 55.60 kN)

Operator Use:

Outdoor

Storage:

Indoor

Calibration:

Up to eight factory-programmed wire rope calibrations

Warranty:

Two-year limited

Approvals:

CE Marked
UKCA

OVERHEAD
WEIGHING

MSI Clamp-On

Load Cell



Part Number/Price

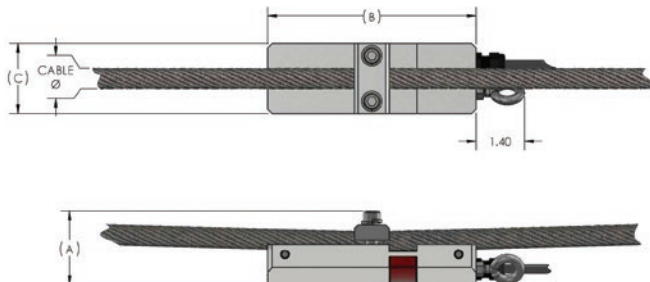
| Part # | Description | Price |
|--------|--|------------|
| 225957 | MSI Clamp-On kit: load cell (PN 179080), MSI-7000, MSI-8000, factory setup | \$3,890.00 |
| 225958 | MSI Clamp-On kit: load cell (PN 179082), MSI-7000, MSI-8000, factory setup | \$4,090.00 |
| 179080 | Load cell assembly Clamp-On for 3/8 to 1/2 in wire rope | \$810.00 |
| 179082 | Load cell assembly Clamp-On for 9/16 to 3/4 in wire rope | \$940.00 |
| 188816 | Kit with SCT-2200 for 3/8 to 1/2 in wire rope | \$1,415.00 |
| 188817 | Kit with SCT-2200 for 9/16 to 3/4 in wire rope | \$1,565.00 |

Larger diameter clamp ons available - call for pricing

Dimensions

| Cable Range | P/N | A | B | C |
|-------------|--------|--------------|------|------|
| 3/8 - 1/2 | 179080 | Cable + 1.70 | 6.00 | 2.00 |
| 9/16-3/4 | 179082 | Cable + 1.67 | 6.00 | 2.00 |

*8mm cable can be used with PN 179080



Standard Features

- A durable solution for measuring wire rope tension and preventing overloads for cranes and hoists. Available in two envelopes for accommodating the most common wire ropes. With the SCT-2000, weight-based setpoints can provide the operator alerts and safety shut-offs based on unsafe load conditions.

Options

(Contact MSI for application consultation)

- Custom sizes available on request
- Pair with an SCT transmitter for basic safety functions

Specifications

Rating/Material:

4340 steel, zinc plated IP68

Output Resistance:

350 ohm

System Accuracy of Calibrated Capacity:

3 to 5%

Cable Length:

20 ft integral cable with blunt end termination

Cable Color Code:

Red +Excitation
Black -Excitation
Green +Signal
White -Signal



Optional SCT-2200 transmitter

OVERHEAD
WEIGHING



Standard Features

- Customized for individual integrated solutions where it will be permanently installed to monitor loads and overloading protection. Machined from 17-4 stainless steel ensures safety, strength and corrosion resistance.

(Contact MSI for application consultation)

For most overhead weighing applications, traditional scales are an ideal solution. However, applications with limited to no headroom require specialty equipment beyond even reduced-height or low-profile crane scales.

One such solution is an MSI load pin sensor. A load pin sensor is a type of load cell that directly replaces clevis, pivot, normal shaft or equalizer pins. Load pin sensors are designed to be permanently installed, so they can continuously monitor vertical or horizontal tension. An integrated load pin provides load monitoring and overload protection without impacting headroom to promote safety and to prevent costly equipment damage.

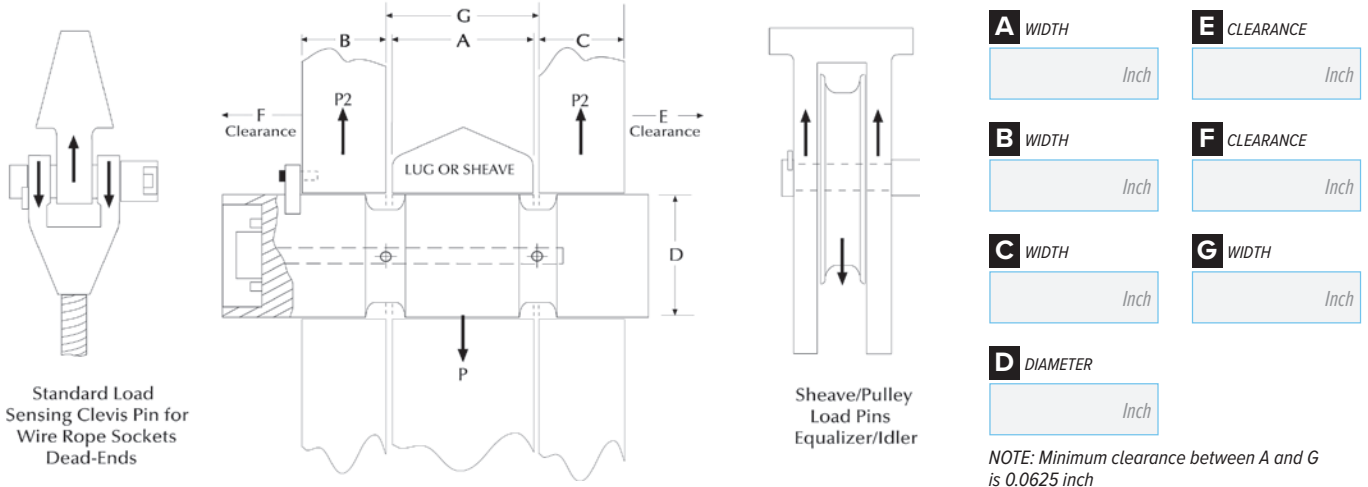
Rice Lake's industry leading engineers design and manufacture custom load pin sensors for any application. Every load pin is constructed from stainless steel for safety, strength (minimum 5:1) and corrosion resistance.

To receive a quote for a load pin sensor, complete the load pin questionnaire on page 794 or online at www.ricelake.com/questionnaires. For further assistance, contact an MSI overhead weighing specialist.

Load Pin Questionnaire

Company: Name:
 Date: Phone: Email:

Load Pin Critical Dimensions



Load Pin Data

Lube port: Yes No No. of exits

Accuracy requirement:

Hoist capacity: tons

Temperature requirement:

Part of wire rope:

Output requirement:

Sensor capacity: tons

Material testing requirements:

Safety factor: 3:1 5:1 7:1 10:1

Load vector orientation/alignment:
 ← → ↑ ↓

Application:

Cable Connections

End-mounted cable:

End-mounted connector (standard):

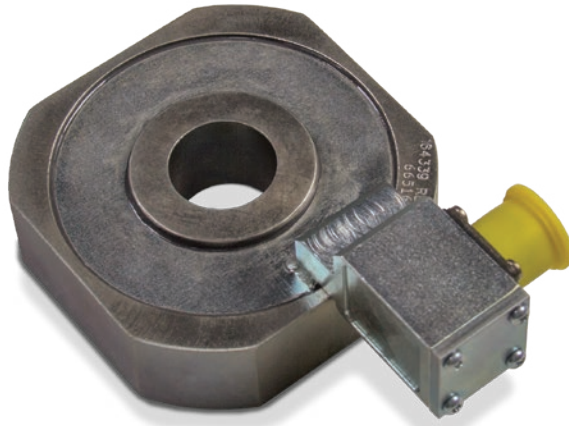
Side-mounted cable:

Side-mounted connector

Recessed connector:

Sensor's cable length: feet

Comments:



Standard Features

- Designed to be placed above the trunnion of a load block, this integrated low-profile load cell eliminates headroom loss
- Off-axis compensation

(Contact MSI for application consultation)

Specifications

Accuracy (Static Load):

0.5 to 1% system accuracy of rated capacity

Rating/Material:

4340 alloy steel, zinc plated
IP67

Resistance:

700 ohm

Part Number/Price

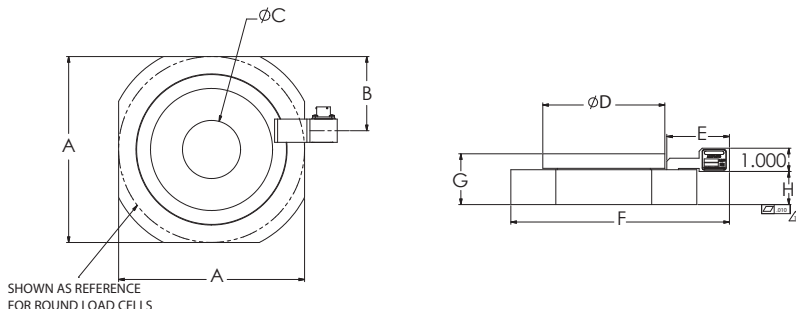
| Part # | Description | Est. Weight | Price |
|--------|--------------------------------|-------------|---------|
| 160651 | 10,000 lb/5,000 kg capacity | 5 lb | Consult |
| 163595 | 20,000 lb/10,000 kg capacity | 10 lb | Consult |
| 163596 | 40,000 lb/20,000 kg capacity | 20 lb | Consult |
| 163829 | 60,000 lb/30,000 kg capacity | 30 lb | Consult |
| 163597 | 80,000 lb/40,000 kg capacity | 34 lb | Consult |
| 163598 | 100,000 lb/50,000 kg capacity | 38 lb | Consult |
| 159550 | 120,000 lb/60,000 kg capacity | 60 lb | Consult |
| 163599 | 160,000 lb/80,000 kg capacity | 105 lb | Consult |
| 163600 | 200,000 lb/100,000 kg capacity | 215 lb | Consult |

Options/Accessories

| Part # | Description | Price |
|--------|---|----------|
| 165978 | Load cell to MSI-7001 interface cable, 6.5 ft | \$345.00 |
| 165979 | Load cell to MSI-7001 interface cable, 10 ft | \$365.00 |
| 165980 | Load cell to MSI-7001 interface cable, 16 ft | \$400.00 |
| 165989 | Load cell to MSI-7001 interface cable, 20 ft | \$430.00 |
| 165990 | Load cell to MSI-7001 interface cable, 25 ft | \$460.00 |
| 165991 | Load cell to MSI-7001 interface cable, 32 ft | \$535.00 |
| 55417 | Connector, cable plug with strain relief | \$42.00 |

Dimensions

| Part # | Capacity | A | B | C (+0.005-0.000) | D | E | F | G | H | Required Hook Shank Diameter (+0.000,-0.005) |
|--------|------------|-----------|----------|---------------------|-----------|----------|-----------|----------|----------|--|
| 160651 | 10,000 lb | 3.500 in | 1.350 in | 1.005 in | 2.450 in | 1.880 in | 4.905 in | 1.500 in | 1.000 in | 1.000 in |
| 163595 | 20,000 lb | 6.000 in | 2.500 in | 1.505 in | 3.500 in | 2.443 in | 7.405 in | 1.750 in | 1.250 in | 1.500 in |
| 163596 | 40,000 lb | 7.500 in | 3.150 in | 2.005 in | 5.000 in | 2.580 in | 8.905 in | 2.000 in | 1.375 in | 2.000 in |
| 163829 | 60,000 lb | 8.000 in | 3.190 in | 2.505 in | 5.250 in | 2.695 in | 9.405 in | 2.188 in | 1.500 in | 2.500 in |
| 163597 | 80,000 lb | 8.500 in | 3.650 in | 3.505 in | 5.750 in | 2.680 in | 9.905 in | 2.313 in | 1.500 in | 3.500 in |
| 163598 | 100,000 lb | 9.125 in | 3.873 in | 4.005 in | 7.000 in | 2.382 in | 10.530 in | 2.668 in | 1.875 in | 4.000 in |
| 159550 | 120,000 lb | 9.125 in | 3.873 in | 4.005 in | 7.000 in | 2.382 in | 10.530 in | 2.813 in | 2.000 in | 4.000 in |
| 163599 | 160,000 lb | 16.000 in | 7.030 in | 6.005 in | 14.500 in | 2.955 in | 17.405 in | 4.625 in | 2.500 in | 6.000 in |
| 163600 | 200,000 lb | 16.000 in | 7.030 in | 6.005 in | 14.500 in | 2.955 in | 17.405 in | 5.125 in | 3.000 in | 6.000 in |



OVERHEAD
WEIGHING

MSI Tension Link

Load Cell



Standard Features

- Integrates between a crane block and lifting equipment to provide force measurement for lifted items. This is an ideal solution for crane weighing and features a 7:1 safety factor for compliance with industrial and military safety requirements.

Options

(Contact MSI for application consultation)

- Top lifting eye or shackle with Crosby® (or equivalent) 360° thrust-bearing swivel hook

Specifications

Accuracy:

0.1% sensor accuracy

Rating/Material:

4340 steel

Full Scale Output:

0.8 mV/V

Output Resistance:

2,000 ohm

Input Resistance:

1,500 ohm

Connector Pin Out:

- A: EX +
- B: Sig +
- C: Sig -
- D: EX -

Part Number/Price

| Part # | Description | Price |
|--------|---------------------------------|---------|
| 181907 | 2 K 7200 style load cell only | Consult |
| 181908 | 5 K 7200 style load cell only | Consult |
| 181909 | 10 K 7200 style load cell only | Consult |
| 178093 | 25 K 7200 style load cell only | Consult |
| 178094 | 50 K 7200 style load cell only | Consult |
| 181910 | 100 K 7200 style load cell only | Consult |

Contact factory for higher capacities

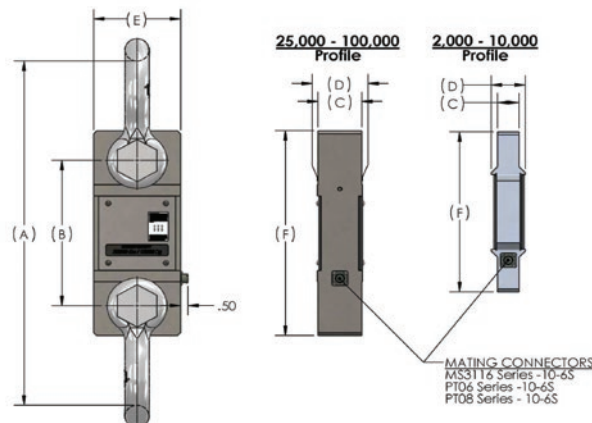
Options/Accessories

| Part # | Description | Price |
|--------|---|----------|
| 165978 | Load cell to MSI-7001 interface cable, 6.5 ft | \$345.00 |
| 165979 | Load cell to MSI-7001 interface cable, 10 ft | \$365.00 |
| 165990 | Load cell to MSI-7001 interface cable, 25 ft | \$460.00 |
| 134505 | Load cell mating cable to bare wires, 10 ft | \$210.00 |

Dimensions

| Capacity (lbs) | P/N | Load Cell Material | (A) Headroom Loss | (B) C-C Length | (C) Lug Thk | (D) Body Thk | (E) Body Width | (F) Body Length | Lug Hole | Crosby Shackle |
|----------------|--------|--------------------|-------------------|----------------|-------------|--------------|----------------|-----------------|----------|----------------|
| 2,000 | 181907 | Aluminum | 13.50 in | 8.00 in | 0.99 in | 2.13 in | 4.50 in | 9.75 in | 0.78 in | 3-1/4 T 151357 |
| 5,000 | 181908 | Aluminum | 13.50 in | 8.00 in | 0.99 in | 2.13 in | 4.50 in | 9.75 in | 0.78 in | 3-1/7 T 151357 |
| 10,000 | 181909 | Aluminum | 16.13 in | 8.50 in | 1.35 in | 2.13 in | 5.37 in | 10.75 in | 1.05 in | 6-1/2 T 151355 |
| 25,000 | 178093 | Steel | 22.39 in | 9.26 in | 2.24 in | 2.24 in | 4.80 in | 12.76 in | 1.67 in | 17 T 141992 |
| 50,000 | 178094 | Steel | 25.74 in | 9.76 in | 2.74 in | 2.81 in | 5.43 in | 13.76 in | 2.05 in | 25 T 151356 |
| 100,000 | 181910 | Steel | 28.49 in | 10.74 in | 3.09 in | 3.09 in | 6.86 in | 15.74 in | 2.30 in | 55 T 146336 |

*Please review the Overhead Weighing Safety Guide

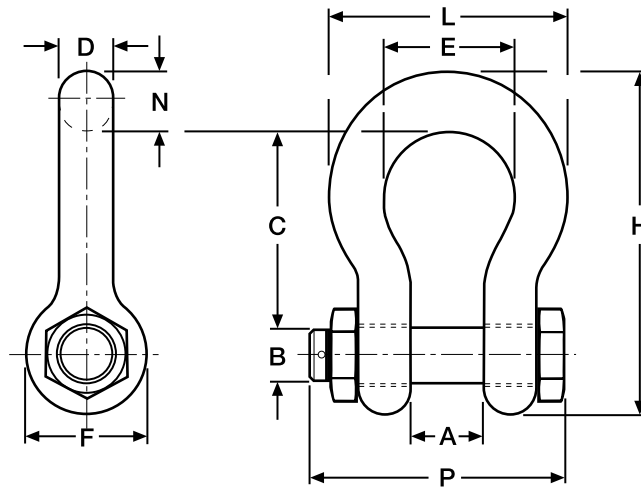


OVERHEAD WEIGHING

Shackle Dimensions

Part Number/Price

| Part # | W.L.L. Tons | Size | A | B | C | D | E | F | H | L | N | P | Weight | Price |
|---------------------------|---|---------|---------|---------|----------|---------|----------|----------|----------|----------|---------|----------|-----------|-------------|
| 151357 | 3 1/4 | 0.63 in | 1.06 in | .75 in | 2.38 in | 0.63 in | 1.69 in | 1.56 in | 4.22 in | 2.94 in | 0.69 in | N/A | 1.58 lb | \$70.00 |
| 151355 | 6 1/2 | 0.88 in | 1.44 in | 1.00 in | 3.31 in | 0.88 in | 2.28 in | 2.13 in | 5.75 in | 4.03 in | 0.97 in | 5.00 in | 3.95 lb | \$135.00 |
| 141992 | 17 | 1.50 in | 2.38 in | 1.63 in | 5.75 in | 1.50 in | 3.88 in | 3.63 in | 9.88 in | 6.88 in | 1.62 in | 8.25 in | 19.50 lb | \$505.00 |
| 151356 | 25 | 1.75 in | 2.88 in | 2.00 in | 7.00 in | 1.75 in | 5.00 in | 4.32 in | 11.88 in | 8.50 in | 2.12 in | 9.59 in | 31.30 lb | \$770.00 |
| 146334 | 30 | 1.50 in | 2.38 in | 1.63 in | 5.75 in | 1.50 in | 3.88 in | 3.63 in | 9.88 in | 6.88 in | 1.62 in | 8.25 in | 20.80 lb | \$750.00 |
| 146335 | 40 | 1.75 in | 2.88 in | 2.00 in | 7.00 in | 1.75 in | 5.00 in | 4.32 in | 11.88 in | 8.50 in | 2.12 in | 9.59 in | 33.91 lb | \$1,550.00 |
| 146336 | 55 | 2.00 in | 3.25 in | 2.25 in | 7.75 in | 2.00 in | 5.75 in | 5.00 in | 13.38 in | 9.75 in | 2.00 in | 11.00 in | 51.75 lb | \$2,000.00 |
| 151359 | 85 | 2.50 in | 4.12 in | 2.75 in | 10.50 in | 2.72 in | 7.25 in | 5.69 in | 17.84 in | 12.87 in | 3.12 in | 13.58 in | 96.00 lb | \$3,400.00 |
| 151360 | 120 | 3.00 in | 5.00 in | 3.25 in | 13.00 in | 3.00 in | 7.88 in | 6.50 in | 21.50 in | 14.50 in | 3.63 in | 16.50 in | 178.00 lb | \$4,700.00 |
| 151361 | 175 | 4.00 in | 5.50 in | 4.25 in | 14.50 in | 4.00 in | 10.00 in | 9.00 in | 25.69 in | 18.38 in | 4.56 in | 19.75 in | 338.00 lb | \$11,400.00 |
| 151358 | 250 | 4.00 in | 8.50 in | 5.00 in | 20.00 in | 4.50 in | 13.00 in | 12.00 in | 35.00 in | 24.50 in | 6.50 in | 22.68 in | 600.00 lb | \$17,900.00 |
| Oversized Shackles | | | | | | | | | | | | | | |
| 148497 | 40 | 1.75 in | 2.88 in | 2.00 in | 10.00 in | 2.25 in | 6.00 in | 4.32 in | 15.35 in | 10.50 in | 2.25 in | 9.00 in | 45.00 lb | \$2,300.00 |
| 148393 | 40 | 2.25 in | 2.88 in | 2.00 in | 12.50 in | 2.25 in | 8.00 in | 4.32 in | 17.85 in | 12.50 in | 2.25 in | 10.00 in | 90.00 lb | \$3,200.00 |
| 148394 | 50 | 2.00 in | 3.25 in | 2.25 in | 12.25 in | 2.50 in | 8.00 in | 5.00 in | 18.50 in | 13.00 in | 2.50 in | 11.00 in | 72.00 lb | \$2,800.00 |
| Shims | | | | | | | | | | | | | | |
| 146534 | (For use with 50,000 to 70,000 ton systems) | | | | | | | | | | | | \$3.15 | |



OVERHEAD WEIGHING

MSI-8000

RF Remote Display



Part Number/Price

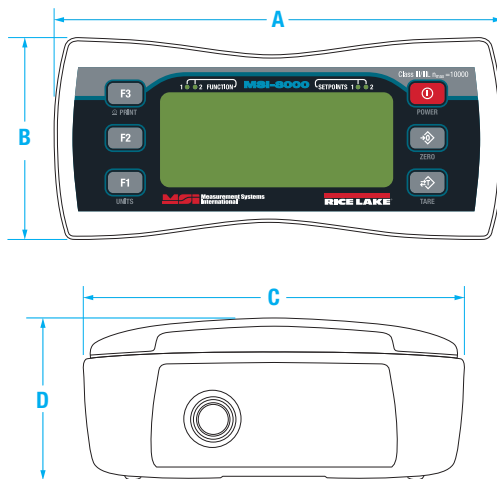
| Part # | Description | Est. Weight | Price |
|--------|----------------------------|-------------|------------|
| 139381 | MSI-8000 RF remote display | 5 lb | \$1,530.00 |

Options/Accessories

| Part # | Description | Est. Weight | Price |
|--------|--|-------------|----------|
| 149549 | Universal 115/230 VAC 50/60 Hz (NA plug standard) battery charger for MSI-8000 RF remote display | 3 lb | \$180.00 |
| 149550 | Universal 115/230 VAC 50/60 Hz (EC plug standard) battery charger for MSI 8000 RF remote display | 1 lb | \$180.00 |
| 150964 | DB9 female serial interface cable for MSI-8000 RF remote display | 1 lb | \$220.00 |
| 151095 | Audible alarm | — | \$330.00 |

Dimensions

| MSI-8000 | | | |
|----------|------------------|---|-----------------|
| A | 8.00 in (203 mm) | C | 3.85 in (98 mm) |
| B | 3.85 in (98 mm) | D | 1.37 in (35 mm) |



Standard Features

- LCD display
- Membrane keypad for remote control functionality
- User-definable function keys for added versatility
- Universal 115/230 VAC, 50/60 Hz battery charger (NA plug standard)
- Compatible with all ScaleCore™ based products including: MSI-7300 Dyna-Link 2, MSI-3460 Challenger 3, MSI-4260 Port-A-Weigh, MSI-7000 and MSI-7001 TranSend™, MSI-9600HT and MSI-6360

(Contact MSI for application consultation)

Specifications

Power:

Integral lithium-ion battery
Universal 115/230 VAC, 50/60 Hz battery charger (NA plug included)

Operating Time:

Up to 24 hours of continuous use (15 minute auto-shutoff with non-use)

Annunciators:

COZ, stable, low battery, peak, net, kg, kN, lb, M, ton, setpoint, function LEDs

Weight:

0.98 lb (445 g)

Keys/Buttons:

On/Off, zero (100%), tare, print and two user-defined keys for the following functions: peak hold, high resolution, total, view total, net/gross, unit switching

Display:

Six-digit 1.0 in (26.4 mm) LCD screen

Temperature:

Operating:
-4 °F to 140 °F (-20 °C to 60 °C)

Rating/Material:

NEMA Type 4, IP65

RF Radio Link:

2.4 GHz 802.15.4
Communicates with RF 3460, 4260, 7300, 7000 & 7001

RF Effective Range:

Typically 100 to 300 ft, line of sight;
for longer range consult factory

Connector:

Four-pin Turck connector for charging and RS-232 communication

Warranty:

One-year limited

OVERHEAD
WEIGHING

MSI-8000HD

Digital Weight Indicator/RF Remote Display



Approvals



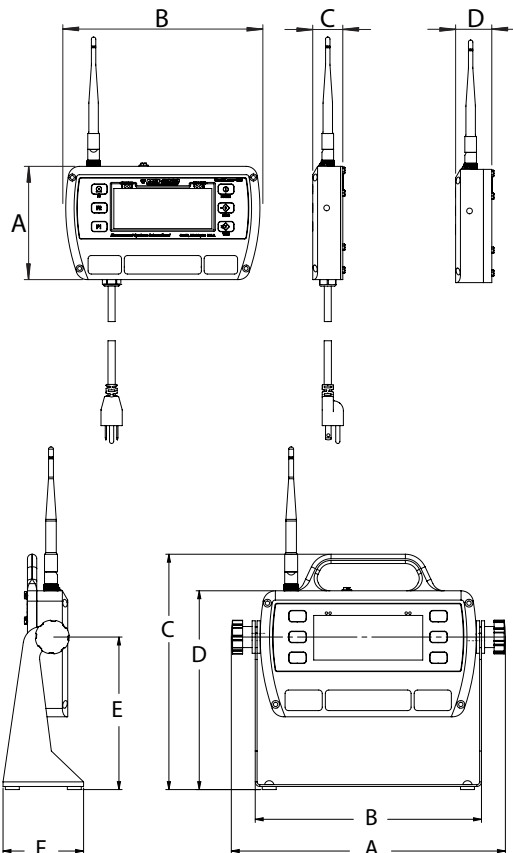
Standard Features

- Compatible with all ScaleCore™ based products
- LCD display
- Time and date
- Membrane keypad for remote-control functionality
- User-definable function keys for added versatility
- Swivel tilt stand

Dimensions

| MSI-8000HD | |
|------------|------------------|
| A | 5.09 in (129 mm) |
| B | 8.98 in (228 mm) |
| C | 1.35 in (34 mm) |
| D | 1.63 in (41 mm) |

| With Tilt Stand | |
|-----------------|-------------------|
| A | 11.06 in (281 mm) |
| B | 9.13 in (232 mm) |
| C | 9.50 in (241 mm) |
| D | 8.02 in (204 mm) |
| E | 6.16 in (156 mm) |
| F | 3.25 in (83 mm) |



Options

(Contact MSI for application consultation)

- 18 to 72 VDC power
- Up to 8 configurable relay outputs
- Wi-Fi communications
- Wi-Fi indicators
- 802.15.4 Serial RF
- FHSS
- Wired Ethernet

Specifications

Power:

90 to 267 VAC, 9 to 36 VDC, 18 to 72 VDC,
120 to 300 VDC
Optional battery power module available

Excitation Voltage:

4.8 V current limited and over-voltage protected

RF Remote Channels:

Up to four remote sensors, monitored individually,
in pairs or sum all (non-A/D version only)

Service Counters:

A/D version only

A/D Inputs:

Two independent or summing load cell inputs

Filtering:

Off, Low, Hi-1, Hi-2

RF Radio Link:

2.4 GHz 802.15.4
Compatible with all ScaleCore™ based
products, including:
MSI-7300 Dyna-Link 2,
MSI-3460 Challenger 3,
MSI-4260 Port-A-Weigh, MSI-7000 and MSI-7001

RF Effective Range:

Typically 100 to 300 ft, line of sight;
for longer range consult factory

Communication Ports:

Dual RS-232 communication ports

Annunciators:

Stable, COZ, Peak, kg, kN, lb, M, Ton, Setpoint,
Function LEDs
Channels: 1, 2, 3, 4, TTL

Display:

Six-digit 1.0 in (26.4 mm) LCD

Units Displayed:

Pounds, kilograms, tons, metric tons, kilonewtons

Keys/Buttons:

On/Off, zero (100%), tare, print, and two user-
defined keys for the following functions: peak hold,
high resolution, total, view total, net/gross,
units switching

Rating/Material:

Enclosure: NEMA Type 4, IP66 milled anodized
aluminum with O-ring gaskets

Temperature:

Certified: 14 °F to 104 °F (-10 °C to 40 °C)
Operating: -4 °F to 140 °F (-20 °C to 60 °C)

Warranty:

One-year limited

Approvals:

NTEP 15-110

OVERHEAD
WEIGHING

MSI-8000HD

Digital Weight Indicator/RF Remote Display

Part Number/Price

| Part # | Description | Est. Weight | Price |
|-----------------------|---|-------------|------------|
| Indicator | | | |
| 158427 | Indicator, dual channel, 85 to 265 VAC | 5 lb | \$2,025.00 |
| 158428 | Indicator, dual channel, internal battery | 5 lb | \$2,150.00 |
| 160478 | Indicator, dual channel, 7 to 36 VDC | 5 lb | \$1,825.00 |
| 159380 | Indicator, dual channel, 9 to 36 VDC | 5 lb | \$1,850.00 |
| 158425 | Indicator, RF, dual channel, 85 to 265 VAC | 5 lb | \$2,050.00 |
| 158426 | Indicator, RF, dual channel, internal battery | 5 lb | \$2,175.00 |
| 160477 | Indicator, RF, dual channel, 7 to 36 VDC | 5 lb | \$2,050.00 |
| 159378 | Indicator, RF, dual channel, 9 to 36 VDC | 5 lb | \$2,075.00 |
| Remote Display | | | |
| 153591 | Remote display, RF, 85 to 265 VAC | 5 lb | \$1,675.00 |
| 154853 | Remote display, RF, internal battery | 5 lb | \$1,825.00 |
| 160476 | Remote display, RF, 7 to 36 VDC | 5 lb | \$1,625.00 |
| 159376 | Remote display, RF, 9 to 36 VDC | 5 lb | \$1,650.00 |

Options/Accessories

| Part # | Description | Price |
|---------------|--|----------|
| 155173 | MSI-8000HD spare tilt stand option kit | \$94.00 |
| 155193 | MSI-8000HD Ethernet TCP/IP option kit wired | \$475.00 |
| 162178 | Antenna extension kit, 6 ft | \$535.00 |
| 148624 | MSI-8000HD serial RS-232 cable | \$150.00 |
| 158779 | MSI-8000HD two each coil relay option kit, 250 VAC/30 VDC 5 A or 100 VDC 0.4 A | \$410.00 |
| 158780 | MSI-8000HD two each solid state relay option kit, 60 V pk 2.7 A | \$410.00 |
| 158781 | MSI-8000HD two each solid state relay option kit, 200 V pk 0.9 A | \$420.00 |
| 149549 | Universal 115/230 VAC 50/60 Hz (NA plug standard) battery charger for MSI-8000HD battery powered device | \$180.00 |
| 149550 | Universal 115/230 VAC 50/60 Hz (international plugs) battery charger for MSI-8000HD battery powered device | \$180.00 |
| 171203 | Audible alarm kit | \$390.00 |
| 176963 | Serial print cable (for GoDex printer) | \$175.00 |
| Relays | | |
| 172490 | Expanded relay kit, four-channel, 12 A 5 V, latching relays | Consult |
| 172492 | Expanded relay kit, four-channel, 12 A 5 V, momentary relays | Consult |
| Consult | Expanded relay kit, four-channel, 0.9 A 200 V pk, AC/DC solid state relays | Consult |
| 172495 | Expanded relay kit, eight-channel, 12 A 5 V, momentary relays | Consult |
| 172500 | Expanded relays option kit, four-channel, 3 A, 60 V pk solid state Form C relays | Consult |
| 172501 | Expanded relays option kit, eight-channel, 3 A 60 V pk, solid state Form C relays | Consult |
| 172502 | Expanded relays option kit, eight-channel, 0.9 A 200 V pk, solid state Form C relays | Consult |
| 171676 | Expanded relays option kit, eight-channel, 12 A 5 V, latching relays | Consult |

OVERHEAD
WEIGHING

MSI-8004HD

Digital Weight Indicator/RF Remote Display



Approvals



Standard Features

- Multicolor LED display
- Backlit membrane keypad for user functioning and controls
- Tilt bracket included
- Color changing display (via setpoints)

Options

(Contact MSI for application consultation)

- Expanded relay outputs
- Battery pack for mobile operation
- Second radio module for additional network connectivity
- Remote display 8 to 32 VDC
- Remote display 5 VDC
- Remote display 9 to 36 VDC
- Indicator 8 to 32 VDC
- Wired Ethernet
- Single and dual channel analog output
- Additional antenna kits
- Extended relay option kits

Part Number/Price

| Part # | Description | Price |
|-----------------------|---|------------|
| Indicator | | |
| 221177 | AC Power (85 to 264 VAC), multi-color display, RF | \$2,075.00 |
| 221183 | AC Power (85 to 264 VAC), multi-color display, RF, Instant power-on | \$2,050.00 |
| 221179 | DC Power (9 to 36 VDC), multi-color display, RF | \$2,075.00 |
| 221181 | DC Power (5 VDC), multi-color display, RF | \$2,225.00 |
| Remote Display | | |
| 221176 | AC Power (85 to 264 VAC), multi-color display, RF | \$2,075.00 |
| 221180 | External battery (Li-ion 5V/3A), multi-color display, RF | \$2,025.00 |

Specifications

Power:

90 to 267 VAC, 9 to 36 VDC, 18 to 72 VDC, 120 to 300 VDC

Excitation Voltage:

4.8 V current limited and over-voltage protected

Functions:

Peak hold, high resolution, total, view total net/gross, units switching

Units:

Pounds and kilograms

Channels:

1, 2, 3, 4, TTL

RF Remote Channels:

Up to 4 remote sensors, monitored individually, in pairs or sum all (non-A/D version only) (when used with TransSend™)

Service Counters:

A/D version only

A/D Inputs:

Two independent or summing load cell inputs

Relays:

Two 5 V coil, 250 VAC, 5 A relays

Filtering:

Off, Low, Hi-1, Hi-2

RF Radio Link:

2.4 GHz 802.15.4, optional second channel for Serial RF, 802.11 Wi-Fi

RF Effective Range:

Typically 100 to 300 ft, line of sight; for longer range consult factory

Communication Ports

Two RS-232 hard wired communication ports

Annunciators:

Stable, COZ, BT, RF, TTL, NET, kg, lb

Display:

Six-digit, 1.5 in (38 mm) LED display with red/green/orange coloring

Keys/Buttons:

On/Off, Zero, Tare, Print and two user-defined keys

Temperature:

Certified: 23 °F to 104 °F (-5 °C to 40 °C)
Operating: -40 °F to 140 °F (-40 °C to 60 °C)

Rating/Material:

NEMA Type 4, IP66 milled anodized aluminum

Warranty:

One-year limited

Approvals:

NTEP 17-036
Measurement Canada AM-6068

OVERHEAD
WEIGHING

MSI-8004HD

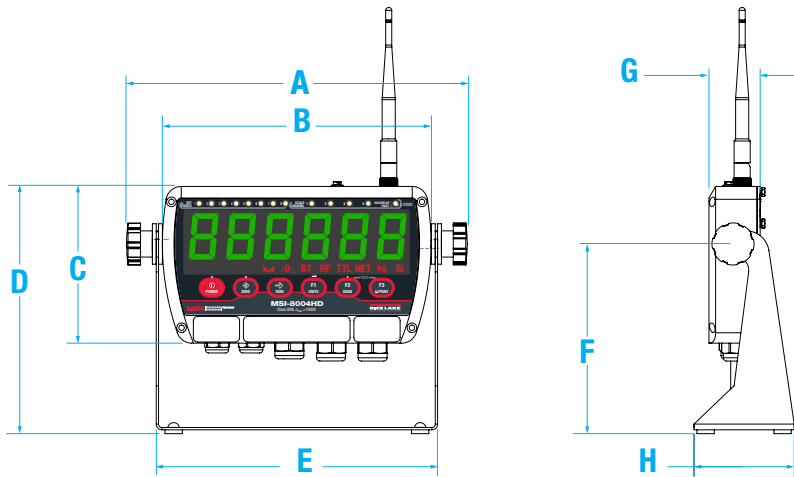
Digital Weight Indicator/RF Remote Display

Options/Accessories

| Part # | Description | Price |
|--------|---|----------|
| 162178 | Antenna extension kit, 6 ft | \$535.00 |
| 197013 | Antenna extension kit, 20 ft | \$575.00 |
| 199105 | Audible alarm not compatible with battery versions | Consult |
| 22436 | Cable assembly, DB9F to bare wires, 6 in, Gen 1 | \$77.00 |
| 148624 | Cable assembly, RS232 DB9, Gen 2 | \$150.00 |
| 183437 | Battery, 5V Li-ion battery with USB power ports. Output 5 V/3.0 A per port (6.0 A max) rate, 2 A per port (4 A if both ports are used). | \$245.00 |
| 187425 | 8004 option kit, Wi-Fi with TNC connector | \$210.00 |
| 187424 | 8004 option kit, 2nd Xbee® with TNC connector | \$220.00 |
| 223594 | Option kit, Dual Analog output: 4/20mA, 0-5 VDC, 0-10VDC. +/- 5VDC, +/-10VDC | \$625.00 |
| 224817 | Ethernet (forward module only) | \$250.00 |

Dimensions

| MSI-8004HD | | | |
|-----------------|-------------------|---|------------------|
| With Tilt Stand | | | |
| A | 11.10 in (282 mm) | E | 9.13 in (232 mm) |
| B | 8.76 in (223 mm) | F | 6.16 in (156 mm) |
| C | 8.02 in (204 mm) | G | 3.25 in (83 mm) |
| D | 5.09 in (129 mm) | H | 1.66 in (42 mm) |



OVERHEAD
WEIGHING

MSI Scoreboards Wireless RF

Featuring LaserLight2™ Remote Displays



- Auto Learn mode of communication protocols
- Hold displayed weight (demand input)
- Software selectable standstill mode for no updates while in motion
- Durable weather-tight IP66 enclosure
- Adjustable day/night intensity
- Non-glare contrast filtered lens
- Mirror (reverse image) feature
- RS-232, 20 mA and RS-485 communications
- Auto sensing 115/230 VAC power supply
- PEMs for VESA flat-wall mount or side-mounting flange available
- Polyethylene breather vent inhibits internal moisture buildup
- Compatible with: MSI-7300 Dyna-Link 2, MSI-3460 Challenger 3, MSI-4260 Port-A-Weigh, MSI-7000 and MSI-7001 TranSend™, MSI-9600HT, MSI-6360, MSI-8000HD and MSI-8004HD

(Contact MSI for application consultation)

Specifications

Display:

Six-digit long-life LED, 4 in or 6 in

Power:

AC/DC power supply 85 to 265 VAC, 47 to 440 Hz/130 to 300 VDC

Rating/Material:

NEMA Type 4, IP66

Radio Link:

Direct sequence spread spectrum at 2.4 GHz

Radio Link Effective Range:

Typically, 100 to 300 ft, line of sight; for longer range consult factory

Temperature:

Operating:
-40 °F to 120 °F (-40 °C to 49 °C)

Standard Antenna:

1/2 wave 2 dBi, articulated

Warranty:

One-year limited

Echo Data Output:

RS-232

Standard Features

- Tilt mounting bracket
- Integrated data repeater
- Six high-intensity red digits (double-row discrete LED)

Part Number/Price

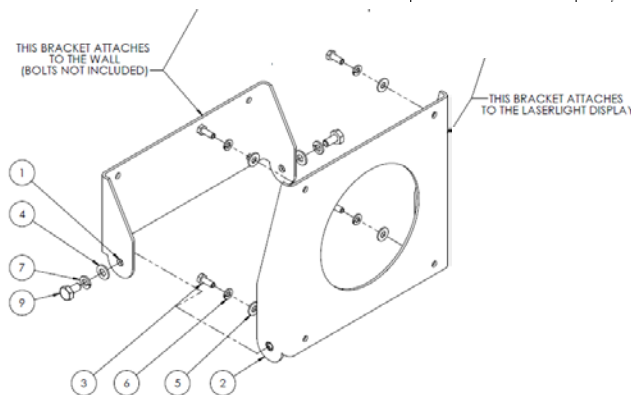
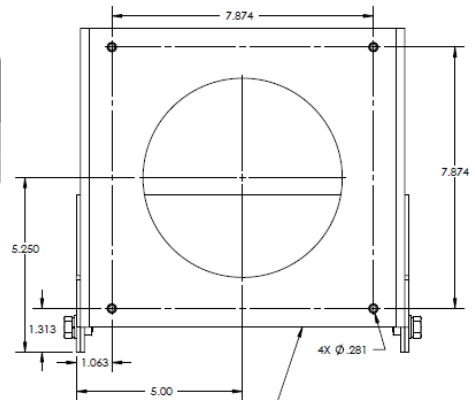
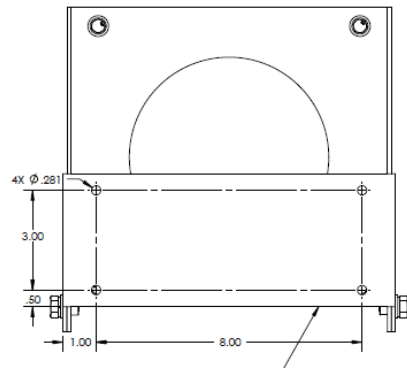
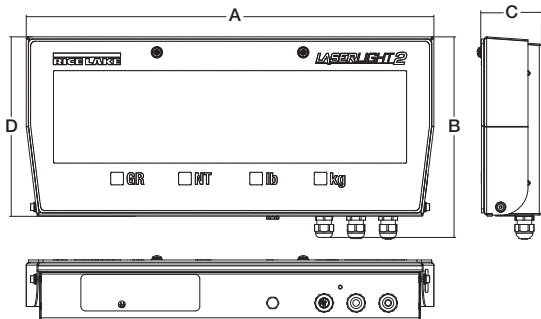
| Part # | Description | Est. Weight | Price |
|--------|--|-------------|------------|
| 178004 | LaserLight2, 4 in with ScaleCore RF and tilt bracket | 20 lb | \$3,350.00 |
| 178006 | LaserLight2, 6 in with ScaleCore RF and tilt bracket | 25 lb | \$3,850.00 |
| 178341 | Laserlight2, 4 in with tilt bracket | 20 lb | \$2,650.00 |
| 178342 | Laserlight2, 6 in with tilt bracket | 20 lb | \$3,025.00 |

Options/Accessories

| Part # | Description | Price |
|--------|---------------------------------------|----------|
| 162178 | Antenna extension kit, 6 ft | \$535.00 |
| 197013 | Antenna extension kit, 20 ft | \$575.00 |
| 178318 | Replacement tilt bracket, LaserLight2 | \$275.00 |

Dimensions

| MSI Scoreboards Wireless RF | | | |
|------------------------------|-------------------|------------------------------|-------------------|
| 22 in enclosure (4 in model) | | 31 in enclosure (6 in model) | |
| A | 22.28 in (565 mm) | C | 3.28 in (85 mm) |
| B | 10.96 in (280 mm) | D | 9.80 in (250 mm) |
| A | 30.63 in (780 mm) | C | 3.73 in (95 mm) |
| B | 13.94 in (355 mm) | D | 12.77 in (325 mm) |



OVERHEAD WEIGHING

TranSend™

Wireless Load Cell Interface System



Standard Features

- Works with any basic digital weight indicator
- Excitation to load cell(s) provided by the transmitter, not the indicator
- Each transmitter/receiver set is individually paired
- Serial communication cable included

Options

(Contact MSI for application consultation)

- Multiple antenna selections
- Analog output
- Additional VDC input power

Specifications

Power:

85 to 265 VAC

Excitation Voltage:

Transmitter: +4.8 VDC, 16 × 350 ohm or 32 × 700 ohm load cells

Standard Antenna:

1/2 wave 2dBi, articulated

Frequency:

Spread spectrum at 2.4 GHz, 802.15.4

Effective Range:

Typically 100 to 300 ft, line of sight; for longer range consult factory

Communication Ports:

Full duplex RS-232

Circuit Protection:

RFI, EMI, ESD protection

Temperature:

Operating:
-40 °F to 185 °F (-40 °C to 85 °C)

Rating/Material:

IP68, die-cast aluminum enclosure

Additional RF Options:

Wi-Fi
802.15.4
FHSS

Warranty:

One-year limited

Part Number/Price

| Part # | Description | Est. Weight | Price |
|-----------------|--|-------------|------------|
| MSI-7000 | | | |
| 227549 | Four-channel, transmitter, 85-265 VAC, load cell, w/3 relays | 2 lb | \$1,525.00 |
| 227550 | Four-channel, receiver, 85-265 VAC, digital, w/3 relays | 2 lb | \$1,350.00 |
| MSI-7001 | | | |
| 230905 | Single-channel, transmitter, 85-265 VAC, load cell input | 2 lb | \$1,375.00 |
| 230951 | Single-channel, receiver, 85-265 VAC, mV output | 2 lb | \$1,525.00 |
| 230952 | Single-channel, receiver, 85-265 VAC, RS232 output | 2 lb | \$1,150.00 |

Options/Accessories

| Part # | Description | Price |
|--------|---|----------|
| 143531 | Power cord, 6 V SLA battery charger EU | \$33.00 |
| 143533 | Power cord, 6 V SLA battery charger, Australia | \$54.00 |
| 143534 | Power cord, 6 V SLA battery charger, UK | \$49.00 |
| 162178 | Antenna extension kit, 6 ft coax cable | \$535.00 |
| 150964 | RS-232 13 ft (4 m) serial cable with nine-pin (female) connector, MSI-7001 | \$220.00 |
| 150965 | RS-232 13 ft (4 m) serial cable with nine-pin (male) connector, MSI-7001 | \$180.00 |
| 145085 | RS-232 serial cable, unterminated, MSI-7000 | \$145.00 |
| 148624 | Cable assembly, RS232/485 to DB9, used for setup and calibration | \$150.00 |
| 144400 | Cable assembly, 4 pin, female, 4 meter, mV | \$110.00 |
| 145084 | Cable assembly, 4 pin, female, 2 meter, mV | \$64.00 |
| 162177 | Cable assembly, 4 pin, male, 2 meter, A2D cable, MSI-7001 | \$145.00 |
| 162184 | Connector, M12, 4 pin, straight, mV, MSI-7001 | \$65.00 |
| 162185 | Connector, M12, 4 pin, right-angle, mV, MSI-7001 | \$65.00 |
| 187424 | Modem, dual option XBEE | \$220.00 |
| 223594 | Option kit, Dual Analog output: 4/20mA, 0-5 VDC, 0-10VDC. +/- 5VDC, +/- 10VDC | \$625.00 |

OVERHEAD
WEIGHING

MSI ScaleCore Webservice

Wireless Network Router



Approvals



Part Number/Price

| Part # | Description | Price |
|--------|---|------------|
| 207943 | ScaleCore Webservice, 5 VDC and PoE | \$4,025.00 |
| 209704 | ScaleCore Webservice, 7 to 14 VDC and PoE | \$4,025.00 |
| 210817 | ScaleCore Webservice, 85 to 265 VAC and PoE wall cube | \$4,025.00 |

Options/Accessories

| Part # | Description | Price |
|---------|---|------------|
| Consult | Extended-range antennas | Consult |
| 213559 | MSI-8000 handheld remote display with Wi-Fi, (only to be used with MSI ScaleCore Webservice systems and applications) | \$1,650.00 |
| 224240 | Webservice Access Point, more than 8 devices | \$1,400.00 |

* Other MSI Wi-Fi products available based on application requirements.

Standard Features

- Display and control multiple ScaleCore based scales, indicators, remote displays and receivers through network connected devices using a web browser, including cell phones, tablets and PCs
- Capable of functioning either with an existing Wi-Fi network or as its own Wi-Fi router
- Can be powered by a dedicated power input or directly through the Ethernet cable where PoE (Power over Ethernet) is supported
- RS-232 communications at up to 460 Kbps
- Scale/load cell summing
- Tiered login to limit scale functionality for different levels of users

(Contact MSI for application consultation)

Specifications

Power:

5 to 6 VDC, 7 to 14 VDC, 85 to 265 VAC, PoE

Effective Range:

Typically 100 to 300 ft, line of sight; for longer range consult factory

Minimum System Requirements:

Will display on any device with a web browser supporting HTML 5
Connected ScaleCore based MSI scales and indicators are required to have the optional Wi-Fi radio modul

Connectivity:

Wi-Fi 2.4 GHz IEEE 802.11g
Gigabit Ethernet
2 × USB 2.0 Interface
RS-232 Serial

Status Annunciators:

Units (lb, kg, short tons (tn), metric tons (t), (NONE) gross/net, motion, center of zero

Enclosure:

IP65, aluminum black powder coated (excludes 85 to 265 VAC model)

Temperature:

Operating:
14 °F to 104 °F (-10 °C to 40 °C)

Warranty:

One year limited

Approvals:

NTEP 21-098 Classes III and IIII at 10,000d



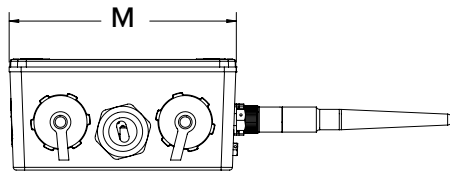
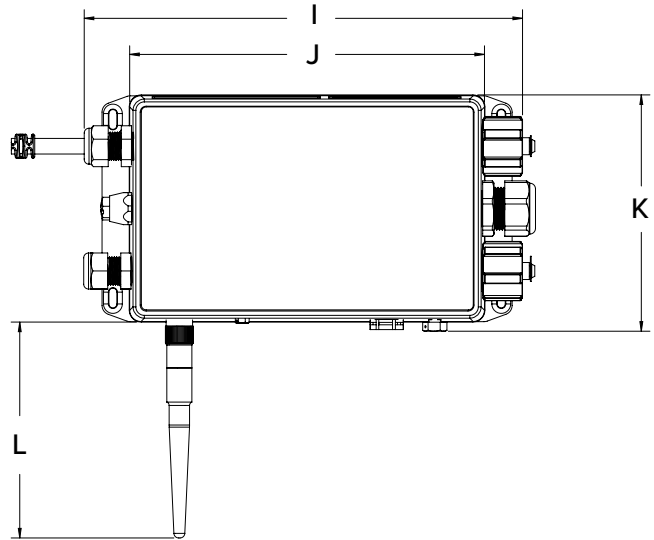
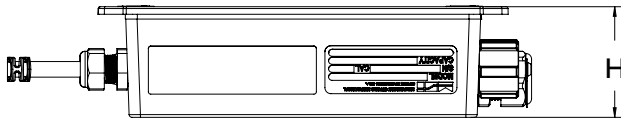
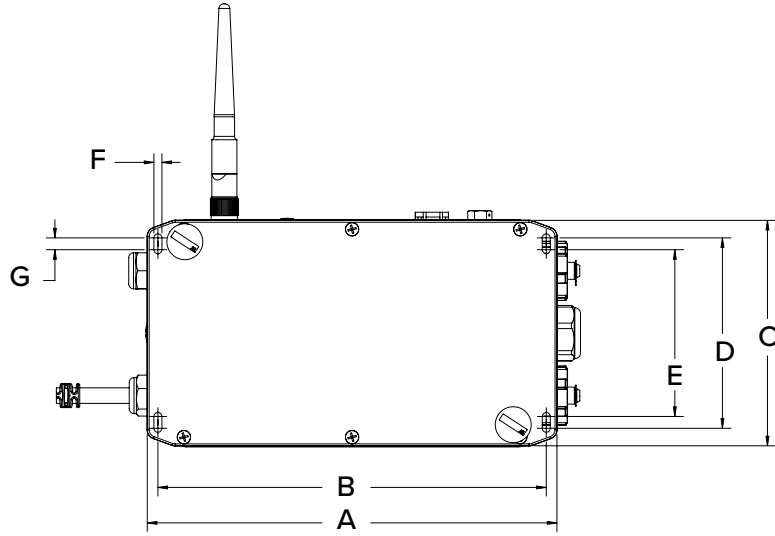
OVERHEAD
WEIGHING

ScaleCore Webserver

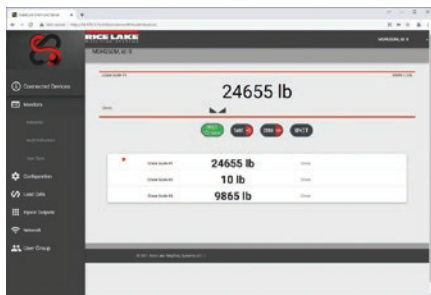
Wireless Network Router

Dimensions

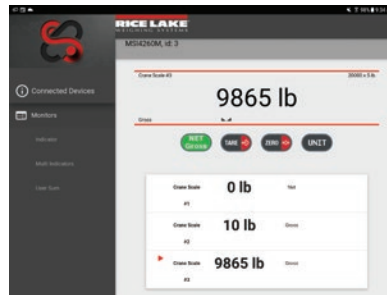
| ScaleCore Webserver | | | |
|---------------------|------------------|---|------------------|
| A | 8.54 in (217 mm) | H | 2.23 in (57 mm) |
| B | 8.09 in (205 mm) | I | 9.13 in (232 mm) |
| C | 4.70 in (119 mm) | J | 7.40 in (188 mm) |
| D | 3.97 in (101 mm) | K | 4.90 in (124 mm) |
| E | 3.47 in (88 mm) | L | 4.50 in (114 mm) |
| F | 0.17 in (4 mm) | M | 4.70 in (119 mm) |
| G | 0.25 in (6 mm) | | |



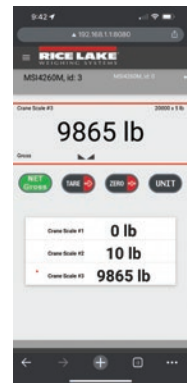
OVERHEAD WEIGHING



Computer Screenshot



Tablet Screenshot



Phone Screenshot

Rugged Remote

Remote Control



Approvals



Part Number/Price

| Part # | Description | Est. Weight | Price |
|--------|--|-------------|----------|
| 173014 | MSI Rugged Remote control, non-CE approved | 3 lb | \$375.00 |
| 211841 | MSI Rugged Remote control, CE approved | 3 lb | \$375.00 |

Standard Features

- Handheld
- Compatible with: MSI-7300, Dyna-Link 2, MSI-7000 Series and all MSI Crane Scales
- Four button interface: Power, zero, tare, function

Specifications

Power:

Battery operated, three (3) AAA alkaline batteries

Function:

Power: turns unit on/off

Zero: zeros applied load up to 100% of capacity (limited range in NTEP/OIML configurations)

Tare: tares applied load and displays weight in net mode

User: programmable as test, units, net/gross, total, peak hold and setpoints

Radio Effective Range:

Typically 100 to 300 ft line of sight

Warranty:

One-year limited

Approval:

CE Listed

OVERHEAD
WEIGHING

Wi-Fi Information Request



Customer Number:

Company: Name:

Date: Phone: Email:

Network Topology

In order to customize a Wi-Fi module, the following information is required.

Product: Electronics Serial Number:

Server (Soft AP):

User's laptop or tablet is connecting directly to the scale. Only one module may be connected at a time in this mode.

Client:

The scale connects to an existing router. This allows a laptop or tablet to connect to multiple scales at once.

Server Mode

SSID:

The name for the network that the laptop/tablet is connecting to.

Security Mode:

Open: Allow anyone to connect to the scale

WPA2: Require a password to connect to the scale

Password:

Only necessary if security mode is set to WPA2

DHCP:

On: Assign a dynamic IP to the scale. The laptop/tablet connecting to the scale may have a dynamic IP (RECOMMENDED)

Off: Assign a static IP to the scale. The laptop/tablet connecting to the scale must also have a static IP

IP Address-Static IP of the scale:

Net Mask/Gateway to assign to the scale:

Port used to connect to the scale (default 2000):

Client Mode

SSID:

The SSID of the router the scale will connect to.

Security mode of the router:

Open:

WPA2:

Password:

This is the password used to connect to the router.

DHCP:

On: Allow the router to assign a dynamic IP to the scale (RECOMMENDED)

Off: Assign a static IP to the scale. This IP must be added to the static IP list in the router

IP Address-Static IP of the scale:

Net Mask/Gateway to assign to the scale:

Port used to connect to the scale (default 2000):