

# Floor Scales

## TABLE OF CONTENTS

<b>Floor Scales</b> .....	<b>339</b>	<b>RoughDeck® PW-1 Stainless Steel</b> .....	<b>367</b>	<b>RoughDeck® HP</b> .....	<b>391</b>
<i>Low-profile Pallet Weighing Floor Scale</i>		<i>Low-profile Pallet Weighing Floor Scale</i>		<i>Forklift SENDit Portability Frames, Non-NTEP</i>	
<b>RoughDeck® Rough-n-Ready System</b> .....	<b>340</b>	<b>RoughDeck® BDP Mild Steel</b> .....	<b>368</b>	<b>RoughDeck® HP</b> .....	<b>392</b>
<i>Floor Scale and 381 Indicator Package</i>		<i>Barrel, Drum, Pallet Scale – Stationary Model</i>		<i>Forklift SENDit Portability Frames, NTEP</i>	
<b>RoughDeck® Rough-n-Ready System</b> .....	<b>341</b>	<b>RoughDeck® BDP Mild Steel</b> .....	<b>369</b>	<b>RoughDeck® HP</b> .....	<b>393</b>
<i>Floor Scale and 380 Indicator Package</i>		<i>Barrel, Drum, Pallet Scale – Portable Model</i>		<i>Caster Portability Frames</i>	
<b>RoughDeck® Rough-n-Ready System</b> .....	<b>342</b>	<b>RoughDeck® BDP Stainless Steel</b> .....	<b>370</b>	<b>RoughDeck® HP</b> .....	<b>394</b>
<i>Floor Scale and 680 Indicator Package</i>		<i>Barrel, Drum, Pallet Scale – Stationary Model</i>		<i>Caster SENDit Portability Frames, Non-NTEP</i>	
<b>RoughDeck® HP</b> .....	<b>343</b>	<b>RoughDeck® BDP Stainless Steel</b> .....	<b>371</b>	<b>RoughDeck® HP</b> .....	<b>395</b>
<i>High Performance Structural Steel Low-profile Floor Scale</i>		<i>Barrel, Drum, Pallet Scale – Portable Model</i>		<i>Caster SENDit Portability Frames, NTEP</i>	
<b>RoughDeck® HP-H</b> .....	<b>345</b>	<b>DeckHand™</b> .....	<b>372</b>	<b>RoughDeck® HP, SS &amp; HE</b> .....	<b>396</b>
<i>High Performance Heavy Capacity Floor Scale</i>		<i>Portable Floor Scale</i>		<i>Pit Frame Concrete Details*</i>	
<b>RoughDeck® HS</b> .....	<b>347</b>	<b>RL1200</b> .....	<b>373</b>	<b>RoughDeck® HP-H</b> .....	<b>397</b>
<i>Hopper Scale</i>		<i>Mechanical Portable Beam Scale</i>		<i>Pit Frame Concrete Details* – 20,000lb Capacity</i>	
<b>RoughDeck® RP</b> .....	<b>348</b>	<b>RL1200 EM</b> .....	<b>374</b>	<b>RoughDeck® HP-H</b> .....	<b>398</b>
<i>Rodent Protection Floor Scale</i>		<i>Electromechanical Portable Beam Scale and 380 Indicator</i>		<i>Pit Frame Concrete Details* – 30,000lb Capacity</i>	
<b>RoughDeck® PC</b> .....	<b>349</b>	<b>RL1200 IS</b> .....	<b>375</b>	<b>AutoLift HE</b> .....	<b>399</b>
<i>Pancake Deck Cargo Scale</i>		<i>Intrinsically Safe Electromechanical Portable Beam Scale</i>		<i>Pit Frame Concrete Details*</i>	
<b>RoughDeck® CS</b> .....	<b>350</b>	<b>Altralite™</b> .....	<b>376</b>	<b>RoughDeck® QC-X</b> .....	<b>400</b>
<i>Coil Floor Scale</i>		<i>Portable Low-profile Anodized Aluminum Floor Scale</i>		<i>Pit Frame Concrete Details*</i>	
<b>RoughDeck® CS Rail Car</b> .....	<b>352</b>	<b>RoughDeck® FXB</b> .....	<b>377</b>	<b>RoughDeck® QC</b> .....	<b>401</b>
<i>Top-access Coil Scale</i>		<i>Painted Steel and Stainless Steel, Flexure Lever Floor Scale</i>		<i>Pit Frame Concrete Details*</i>	
<b>RoughDeck® CS Rail Car</b> .....	<b>353</b>	<b>Summit® 3000 and</b>		<b>Summit® 3000</b> .....	<b>402</b>
<i>Under Beam Mount Coil Scale</i>		<b>120 Indicator Package</b> .....	<b>378</b>	<i>Pit Frame Concrete Details*</i>	
<b>RoughDeck® SS</b> .....	<b>354</b>	<i>Floor Scale/120 Indicator Package</i>			
<i>Stainless Steel Floor Scale</i>		<b>Summit® 3000 and</b>			
<b>RoughDeck® HE</b> .....	<b>355</b>	<b>120 Plus Indicator Package</b> .....	<b>379</b>		
<i>Hostile Environment Stainless Steel Floor Scale</i>		<i>Floor Scale/120 Plus Indicator Package</i>			
<b>AutoLift HE</b> .....	<b>356</b>	<b>Summit® 3000</b> .....	<b>380</b>		
<i>Pit-type, Hostile Environment Stainless Steel Lift Floor Scale</i>		<i>Low-profile Floor Scale</i>			
<b>RoughDeck® QC-X</b> .....	<b>358</b>	<b>RoughDeck® Access Ramps</b> .....	<b>381</b>		
<i>Quick Clean Extreme Lift Floor Scale with Solid Plate Base</i>		<b>Floor Scale Pit Mounted Riser Stand</b> .....	<b>383</b>		
<b>RoughDeck® QC-XP</b> .....	<b>360</b>	<b>RoughDeck® Pit Frames</b> .....	<b>384</b>		
<i>Quick Clean Extreme Portable Solid Base Plate Floor Scale</i>		<b>Summit® 3000 Access Ramps</b> .....	<b>385</b>		
<b>RoughDeck® QC</b> .....	<b>361</b>	<b>Summit® 3000 Pit Frames</b> .....	<b>386</b>		
<i>Quick Clean Stainless Steel Lift Floor Scale</i>		<b>Bumper Guards</b> .....	<b>387</b>		
<b>RoughDeck® SD</b> .....	<b>364</b>	<i>Option A</i>			
<i>Sanitary Deck Floor Scale</i>		<i>Option B</i>			
<b>RoughDeck® LP</b> .....	<b>365</b>	<i>Option C</i>			
<i>Low-profile Floor Scale</i>		<b>RoughDeck® HP and SS</b> .....	<b>390</b>		
<b>RoughDeck® PW-1 Mild Steel</b> .....	<b>366</b>	<i>Forklift Portability Frames</i>			
<i>Low-profile Pallet Weighing Floor Scale</i>					

The following product names, logos, brands and other trademarks featured or referred to within this publication are the property of their respective trademark holders.

# RoughDeck® Rough-n-Ready System

Floor Scale and 381 Indicator Package



Shown with optional floor stand for indicator

## Approvals



Measurement Canada Approved



FLOOR SCALES

## Part Number/Price

Part#	Floor Scale Capacity	Indicator	Est. Weight	Price
† 4 ft × 4 ft × 3.5 in RoughDeck (NTEP Certified) 381 Indicator with AA battery and 12V power adaptor				
219279	5,000 lb	381	405 lb	\$2,620.00
219280	10,000 lb	381	405 lb	\$2,620.00
† 4 ft × 4 ft × 3.5 in RoughDeck (Canadian Weights and Measures Approved) 381 Indicator with AA battery and 12V power adaptor				
219281	2,500 kg	381	405 lb	\$2,620.00
219282	5,000 kg	381	405 lb	\$2,620.00
† 4 ft × 4 ft × 3.5 in RoughDeck (NTEP Certified) 381 Indicator with NiMH battery and charger				
219283	5,000 lb	381	405 lb	\$2,720.00
219284	10,000 lb	381	405 lb	\$2,720.00
† 4 ft × 4 ft × 3.5 in RoughDeck (Canadian Weights and Measures Approved) 381 Indicator with NiMH battery and charger				
219285	2,500 kg	381	405 lb	\$2,720.00
219286	5,000 kg	381	405 lb	\$2,720.00

† US plug (NA) - Type A

## Options/Accessories

Part#	Description	Price
Consult	Access ramps available	See catalog page 381
Consult	Pit frames available	See catalog page 384
Consult	Bumper guards available	See catalog page 387 through catalog page 389
Consult	Portability frames available	See catalog page 390 through catalog page 395
18777	Floor anchor plates, mild steel (set of 2)	\$40.00
19352	Floor stand for indicator, 36.3 in high, mild steel	\$250.00
126384	Floor stand for indicator, 48 in high, mild steel	\$275.00

## Standard Features

- Package includes: RoughDeck HP 4 ft × 4 ft × 3.5 in floor scale, 20 ft of hostile environment load cell cable, quick disconnect and 381 indicator
- Package is factory-calibrated for 5,000 divisions

### Scale

- Heavy-duty design with structural steel under support
- Four NTEP Certified alloy steel shear beam load cells
- Side-access JB4SS TuffSeal® junction box

### Indicator

- LCD display
- Communication ports
- ABS enclosure
- Battery powered

## RoughDeck Specifications

### End Load Capacity:

- 200% full scale at 1,000 lb
- 100% full scale at 2,000 and 5,000 lb
- 80% full scale at 10,000 lb

### Cable Length:

20 ft (6.1 m) for connecting junction box to indicator

### Threaded Eyebolt:

Hole (1/2-20 NF) located in center of deck for easy lifting

### Warranty (limited):

Weldment: Five years  
Load cells: Two years  
All other components: One year

### Approvals:

NTEP 92-001, Class III 5,000 d  
Measurement Canada AM-4827, Class III 5,000d  
Load cell is NTEP  
Load cell is CFMus Approved

## 381 Specifications

### Power:

Battery: AA or Nickel Metal Hydride (NiMH)  
381-2D-AA Adapter: 115/230 VAC to 12 VDC  
381-2D-NiMH Charger: 115/230 VAC

### Battery Life:

AA: 16 hours with 4 × 350 ohm load cells, low backlight  
NiMH: 19 hours with 4 × 350 ohm load cells, low backlight

### Communication Ports:

One full-duplex RS-232  
One USB 2.0

### Display:

Six 1 in (25 mm) tall, LCD digits

### Annunciators:

g, lb, t, tn, kg, oz, battery level, PT, LT, gross, zero, unstable, net

### Keys/Buttons:

Five tactile buttons

### Rating/Material:

AA Battery: IP54, ABS  
NiMH Battery: IP66, ABS

### Approvals:

NTEP 21-051  
Measurement Canada AM-6184  
CE Listed

# RoughDeck® Rough-n-Ready System

Floor Scale and 380 Indicator Package



Shown with optional floor stand for indicator

## Approvals



Measurement  
Canada  
Approved



## Part Number/Price

Part#	Floor Scale Capacity	Indicator	Est. Weight	Price
† 4 ft × 4 ft × 3.5 in RoughDeck (NTEP Certified) Indicator Package with Tilt Stand				
208558	5,000 lb	380	405 lb	\$2,930.00
208585	10,000 lb	380	405 lb	\$2,930.00
† 4 ft × 4 ft × 3.5 in RoughDeck (Canadian Weights and Measures Approved) Indicator Package with Tilt Stand				
208582	2,500 kg	380	405 lb	\$2,930.00
208586	5,000 kg	380	405 lb	\$2,930.00

† US plug (NA) - Type A

## Options/Accessories

Part#	Description	Price
206433	External AC adapter for 380 indicator	\$60.00
Consult	Access ramps available	See catalog page 381
Consult	Pit frames available	See catalog page 384
Consult	Bumper guards available	See catalog page 387 through catalog page 389
Consult	Portability frames available	See catalog page 390 through catalog page 395
18777	Floor anchor plates, mild steel (set of 2)	\$40.00
19352	Floor stand for indicator, 36.3 in high, mild steel	\$250.00
126384	Floor stand for indicator, 48 in high, mild steel	\$275.00

## Standard Features

- Package includes: RoughDeck HP 4 ft × 4 ft × 3.5 in floor scale, 20 ft of hostile environment load cell cable, quick disconnect and 380 indicator
- Package is factory-calibrated for 5,000 divisions

### Scale

- Heavy-duty design with structural steel under support
- Four NTEP Certified alloy steel shear beam load cells
- Side-access JB4SS TuffSeal® junction box

### Indicator

- LCD display
- Communication ports
- Stainless steel enclosure

## RoughDeck Specifications

### End Load Capacity:

- 100% full scale at 5,000 lb
- 80% full scale at 10,000 lb

### Cable Length:

- 20 ft (6.1 m) for connecting junction box to indicator

### Threaded Eyebolt:

- Hole (1/2-20 NF) located in center of deck for easy lifting

### Warranty (limited):

- Weldment: Five years
- Load cells: Two years
- All other components: One year

### Approvals:

- NTEP 92-001, Class III 5,000 d
- Measurement Canada AM-4827, Class III 5,000 d

## 380 Specifications

### Power:

- Batteries: Four alkaline C-cell (not included)
- Optional: 115/230 VAC to 12 VDC adapter

### Battery Life:

- 45 hours, continuous use on alkaline batteries with four 350 ohm load cells, low backlight

### Communication Ports:

- One full-duplex RS-232
- One USB 2.0

### Display:

- Six 1 in (25 mm) tall, LCD digits

### Annunciators:

- g, lb, t, tn, kg, oz, battery level, PT, LT, gross, zero, unstable, net

### Keys/Buttons:

- Five tactile buttons

### Rating/Material:

- Enclosure: IP66, 304 stainless steel

### Approvals:

- NTEP 21-051
- Measurement Canada AM-6184
- CE Marked
- cULus Listed

FLOOR SCALES

# RoughDeck® Rough-n-Ready System

Floor Scale and 680 Indicator Package



Shown with optional floor stand for indicator

## Approvals



Measurement  
Canada  
Approved



FLOOR SCALES

## Part Number/Price

Part#	Floor Scale Capacity	Indicator	Est. Weight	Price
<b>† 115 VAC - 4 ft × 4 ft × 3.5 in RoughDeck (NTEP Certified) Indicator Package with Tilt Stand</b>				
196661	5,000 lb	680	405 lb	\$3,250.00
196662	10,000 lb	680	405 lb	\$3,250.00
<b>†† 230 VAC - 4 ft × 4 ft × 3.5 in RoughDeck (NTEP Certified) Indicator Package with Tilt Stand</b>				
196663	5,000 lb	680	405 lb	\$3,250.00
196664	10,000 lb	680	405 lb	\$3,250.00
<b>† 115 VAC 4 ft × 4 ft × 3.5 in RoughDeck (Canadian Weights and Measures Approved) Indicator Package with Tilt Stand</b>				
196665	2,500 kg	680	405 lb	\$3,250.00
196666	5,000 kg	680	405 lb	\$3,250.00



†† CEE 7/7 plug



† NEMA 5-15 plug

## Options/Accessories

Part#	Description	Price
Consult	Access ramps available	See catalog page 381
Consult	Pit frames available	See catalog page 384
Consult	Bumper guards available	See catalog page 387 through catalog page 389
Consult	Portability frames available	See catalog page 390 through catalog page 395
18777	Floor anchor plates, mild steel (set of 2)	\$40.00
19352	Floor stand for indicator, 36.3 in high, mild steel	\$250.00
126384	Floor stand for indicator, 48 in high, mild steel	\$275.00

## Standard Features

- Package includes: RoughDeck HP 4 ft × 4 ft × 3.5 in floor scale, 20 ft of hostile environment load cell cable, quick disconnect and 680 indicator
- Package factory-calibrated for 5,000 divisions

### Scale

- Heavy-duty design with structural steel under support
- Four NTEP Certified alloy steel shear beam load cells
- Side-access JB4SS TuffSeal® junction box

### Indicator

- Bright seven-digit, seven-segment LED display
- Battery backed time and date
- Full numeric keypad
- Communication ports

## RoughDeck Specifications

### End Load Capacity:

- 100% full scale at 5,000 lb
- 80% full scale at 10,000 lb

### Cable Length:

- 20 ft (6.1 m) for connecting junction box to indicator

### Threaded Eyebolt:

- Hole (1/2-20 NF) located in center of deck for easy lifting

### Warranty (limited):

- Weldment: Five years
- Load cells: Two years
- All other components: One year

### Approvals:

- NTEP 92-001, Class III 5,000 d
- Measurement Canada AM-4827, Class III 5,000 d

## 680 Specifications

### Communication Ports:

- Two full-duplex RS-232 RS-485/422 (five-wire)
- Micro USB (device)
- Ethernet TCP/IP (10/100)

### Display:

- Seven 0.8 in tall, seven-segment digits

### Annunciators:

- Eight LED annunciators

### Keys/Buttons:

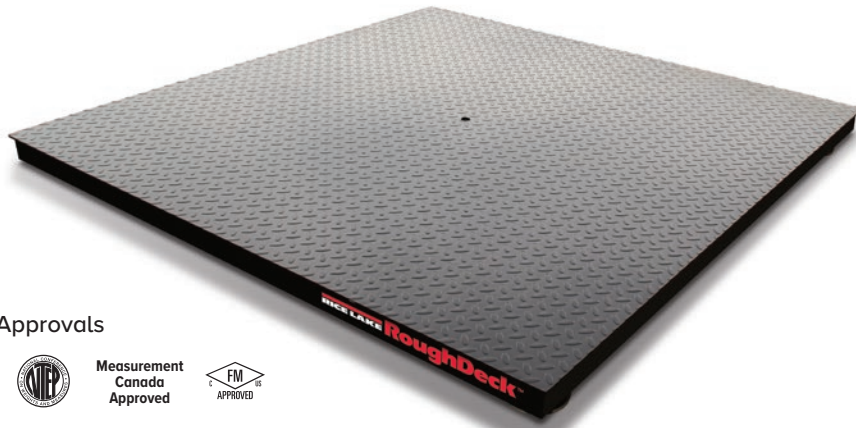
- Flat membrane panel, tactile feel (18 buttons plus on/off)

### Rating/Material:

- IP69K (IP66 with RJ45)
- AISI 304 stainless Steel

### Approvals:

- NTEP 19-021
- Measurement Canada AM-6121C
- cULus Listed



### Approvals



Measurement  
Canada  
Approved



### Part Number/Price

Part #	Part #	Size (W x L x H)	Capacity	Est. Weight	Price
With Quick Connector	Without Quick Connector				
232022†	232023†	2.5 ft x 2.5 ft x 3.5 in	1,000 lb	232 lb	\$2,095.00
66318†	67695†	2.5 ft x 2.5 ft x 3.5 in	2,000 lb	173 lb	\$2,095.00
232024†	232025†	2.5 ft x 2.5 ft x 3.5 in	2,500 lb	232 lb	\$2,095.00
66320†	67693†	3 ft x 3 ft x 3.5 in	1,000 lb	232 lb	\$2,095.00
66317†	67696†	3 ft x 3 ft x 3.5 in	2,000 lb	232 lb	\$2,095.00
232013†	232014†	3 ft x 3 ft x 3.5 in	2,500 lb	232 lb	\$2,095.00
105300†	105301†	3 ft x 3 ft x 3.5 in	5,000 lb	232 lb	\$2,095.00
66319	67694	4 ft x 4 ft x 3.5 in	1,000 lb	375 lb	\$2,225.00
67618	67697	4 ft x 4 ft x 3.5 in	2,000 lb	375 lb	\$2,225.00
232016	232017	4 ft x 4 ft x 3.5 in	2,500 lb	375 lb	\$2,225.00
66316	67698	4 ft x 4 ft x 3.5 in	5,000 lb	375 lb	\$2,225.00
66315	67699	4 ft x 4 ft x 3.5 in	10,000 lb	375 lb	\$2,225.00
66314	67700	4 ft x 5 ft x 3.5 in	5,000 lb	437 lb	\$2,445.00
66313	67701	4 ft x 5 ft x 3.5 in	10,000 lb	567 lb	\$3,285.00
66312	67702	4 ft x 6 ft x 3.5 in	5,000 lb	510 lb	\$2,635.00
66311	67703	4 ft x 6 ft x 3.5 in	10,000 lb	656 lb	\$3,475.00
66310	67704	5 ft x 5 ft x 3.5 in	5,000 lb	541 lb	\$2,675.00
66309	67705	5 ft x 5 ft x 3.5 in	10,000 lb	696 lb	\$3,515.00
66308	67706	5 ft x 6 ft x 3.5 in	5,000 lb	646 lb	\$2,950.00
66307	67707	5 ft x 6 ft x 3.5 in	10,000 lb	821 lb	\$4,000.00
66306	67708	5 ft x 7 ft x 3.5 in	5,000 lb	734 lb	\$3,175.00
66305	67709	5 ft x 7 ft x 3.5 in	10,000 lb	929 lb	\$4,225.00
Canadian Weights and Measures Approved					
191928†	191930†	2.5 ft x 2.5 ft x 3.5 in	1,000 kg	173 lb	\$2,095.00
191949†	191950†	3 ft x 3 ft x 3.5 in	500 kg	232 lb	\$2,095.00
66464†	67710†	3 ft x 3 ft x 3.5 in	1,000 kg	232 lb	\$2,095.00
191931†	191932†	3 ft x 3 ft x 3.5 in	2,500 kg	232 lb	\$2,095.00
191951	191952	4 ft x 4 ft x 3.5 in	500 kg	375 lb	\$2,225.00
191933	191934	4 ft x 4 ft x 3.5 in	1,000 kg	375 lb	\$2,225.00
66465	67711	4 ft x 4 ft x 3.5 in	2,500 kg	375 lb	\$2,225.00
66466	67712	4 ft x 4 ft x 3.5 in	5,000 kg	375 lb	\$2,225.00
191935	191936	4 ft x 5 ft x 3.5 in	2,500 kg	437 lb	\$2,445.00
191937	191938	4 ft x 5 ft x 3.5 in	5,000 kg	567 lb	\$3,285.00
191939	191940	4 ft x 6 ft x 3.5 in	2,500 kg	510 lb	\$2,635.00
191941	191942	4 ft x 6 ft x 3.5 in	5,000 kg	656 lb	\$3,475.00
66467	67713	5 ft x 5 ft x 3.5 in	2,500 kg	541 lb	\$2,675.00
66468	67714	5 ft x 5 ft x 3.5 in	5,000 kg	696 lb	\$3,515.00
191943	191944	5 ft x 6 ft x 3.5 in	2,500 kg	646 lb	\$2,950.00
191945	191946	5 ft x 6 ft x 3.5 in	5,000 kg	821 lb	\$4,000.00
66469	67715	5 ft x 7 ft x 3.5 in	2,500 kg	934 lb	\$3,175.00
66470	67716	5 ft x 7 ft x 3.5 in	5,000 kg	929 lb	\$4,225.00

† Not recommended for use with pallet jacks

### Standard Features

- Heavy-duty industrial design
- Structural steel channel frame
- Diamond safety tread plate deck
- Four NTEP Certified alloy steel, shear beam load cells
- 20 ft SURVIVOR® EL147HE hostile environment load cell cable
- Side-access junction box
- Four adjustable stainless steel SUREFOOT™ support feet
- Four corner overload stops (Canadian versions only)
- Level bubble (Canadian versions only)

### Specifications

#### End Load Capacity:

- 200% full scale at 1,000 lb
- 100% full scale at 2,000 and 5,000 lb
- 80% full scale at 10,000 lb

#### Cable Length:

20 ft (6.1 m) for connecting junction box to indicator

#### Junction Box:

TuffSeal® JB4SS stainless steel, NEMA Type 4X junction box with signal trim card

#### Welding:

Stitch

#### Threaded Eyebolt:

Hole (1/2-20 NF) located in center of deck for easy lifting

#### Warranty (limited):

Weldment: Five years  
Load cells: Two years  
All other components: One year

#### Approvals:

NTEP 92-001, Class III 5,000 d  
Measurement Canada AM-4827, Class III 5,000d  
Load cell is NTEP  
Load cell is cFmus Approved

# RoughDeck® HP

High Performance Structural Steel Low-profile Floor Scale

## Options/Accessories

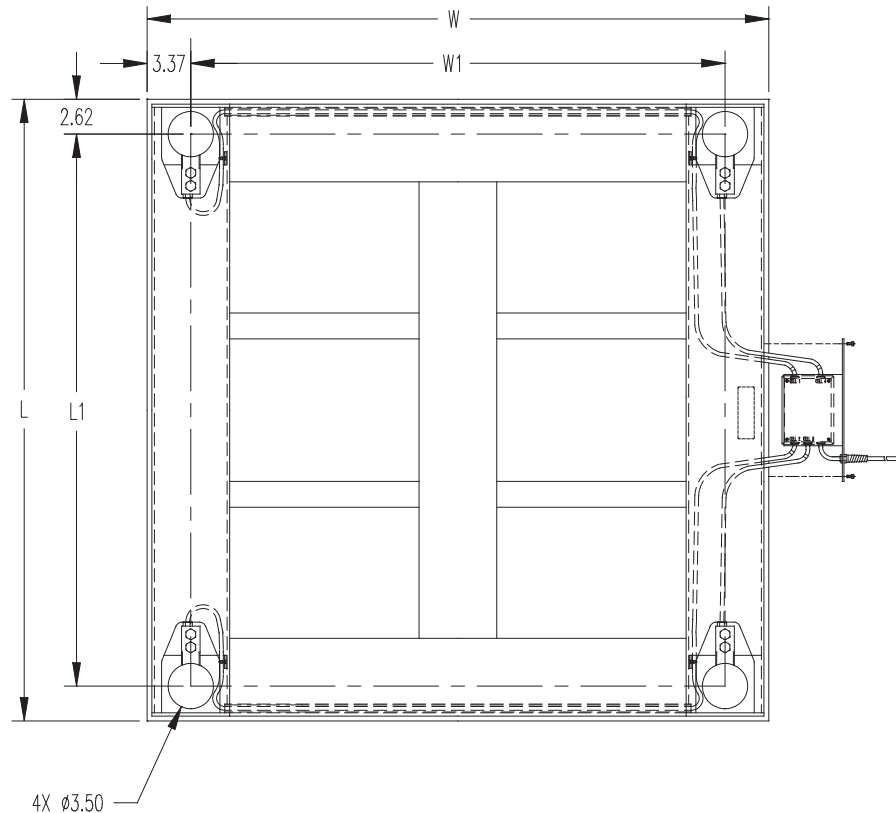
Part #	Description	Price
Consult	Access ramps available	See catalog page 381
Consult	Pit frames available	See catalog page 384
Consult	Bumper guards available	See catalog page 387 through catalog page 389
Consult	Portability frames available	See catalog page 390 through catalog page 395
Consult	Smooth deck instead of diamond safety treadplate	N/C
Consult	Four drilled deck holes for scale height adjustment	\$40.00
18777	Floor anchor plates, mild steel (set of 2)	\$40.00
19352	Floor stand for indicator, 36.3 in high, mild steel	\$250.00
126384	Floor stand for indicator, 48 in high, mild steel	\$275.00
Consult	Mild steel deck with RL32018S IP66 stainless steel cFMus approved load cells and hardware	+\$128.00 list price add-on
Consult	Mild steel deck with RL32218S-HE hermetically sealed IP69K stainless steel cFMus approved load cells and hardware	+\$468.00 list price add-on
Consult	Epoxy paint	+\$150.00 list price add-on
Consult	Top-access junction box	+\$100.00 list price add-on
Consult	Forklift channel option (up to 7 × 5 ft 10,000 lb, accommodates fork tines no larger than (W × H) 5 × 2 in, fork entry is on opposite side of junction box location)	+\$500.00 list price add-on

FLOOR SCALES

## Dimensions

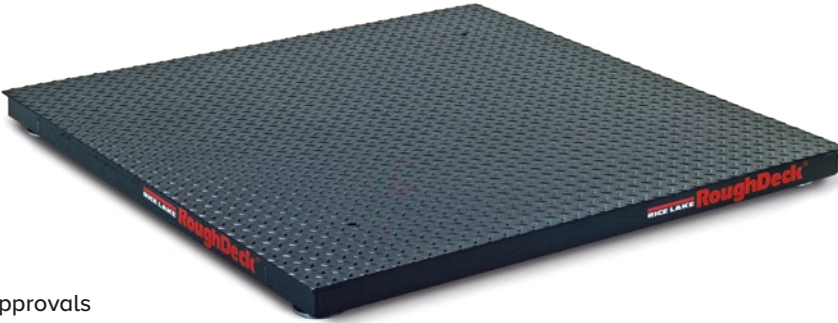
L	L1	W	W1	H
30.00 in	24.75 in	30.00 in	23.25 in	3.50 in
36.00 in	30.75 in	36.00 in	29.25 in	3.50 in
48.00 in	42.75 in	48.00 in	41.25 in	3.50 in
60.00 in	54.75 in	48.00 in	41.25 in	3.50 in
72.00 in	66.75 in	48.00 in	41.25 in	3.50 in
60.00 in	54.75 in	60.00 in	53.25 in	3.50 in
72.00 in	66.75 in	60.00 in	53.25 in	3.50 in
84.00 in	78.75 in	60.00 in	53.25 in	3.50 in

Note: 1 in=25.4 mm.



# RoughDeck® HP-H

High Performance Heavy Capacity Floor Scale



## Approvals



Measurement  
Canada  
Approved



Capacities  
greater  
than  
10,000kg

## Part Number/Price

Part #	Part #	Size (W × L × H)	Capacity	Est. Weight	Price
With Quick Connector	Without Quick Connector				
<b>NTEP Approved</b>					
66474	67717	4 ft × 4 ft × 4 in	20,000 lb (10,000 kg)	601 lb	\$4,130.00
66475	67718	4 ft × 5 ft × 4 in	20,000 lb (10,000 kg)	775 lb	\$4,415.00
66476	67719	4 ft × 6 ft × 4 in	20,000 lb (10,000 kg)	926 lb	\$4,815.00
66477	67720	4 ft × 7 ft × 4 in	20,000 lb (10,000 kg)	1,135 lb	\$5,200.00
66478	67721	5 ft × 5 ft × 4 in	20,000 lb (10,000 kg)	926 lb	\$4,790.00
66479	67722	5 ft × 6 ft × 4 in	20,000 lb (10,000 kg)	1,104 lb	\$5,380.00
66480	67723	5 ft × 7 ft × 4 in	20,000 lb (10,000 kg)	1,377 lb	\$5,615.00
66481	67724	6 ft × 6 ft × 4 in	20,000 lb (10,000 kg)	1,319 lb	\$6,350.00
66482	67725	6 ft × 8 ft × 4 in	20,000 lb (10,000 kg)	1,861 lb	\$7,875.00
66483	67726	7 ft × 9 ft × 4 in	20,000 lb (10,000 kg)	2,408 lb	\$9,840.00
66484	67727	7 ft × 10 ft × 4 in	20,000 lb (10,000 kg)	2,959 lb	\$11,440.00
66485	67728	8 ft × 10 ft × 4 in	20,000 lb (10,000 kg)	3,108 lb	\$12,925.00
66486	67729	4 ft × 4 ft × 5 in	30,000 lb (15,000 kg)	675 lb	\$4,940.00
66487	67730	4 ft × 5 ft × 5 in	30,000 lb (15,000 kg)	839 lb	\$5,390.00
66488	67731	4 ft × 6 ft × 5 in	30,000 lb (15,000 kg)	1,071 lb	\$5,575.00
66489	67732	4 ft × 7 ft × 5 in	30,000 lb (15,000 kg)	1,200 lb	\$5,985.00
66490	67733	5 ft × 5 ft × 5 in	30,000 lb (15,000 kg)	1,021 lb	\$5,530.00
66491	67734	5 ft × 7 ft × 5 in	30,000 lb (15,000 kg)	1,448 lb	\$6,375.00
66492	67735	6 ft × 6 ft × 5 in	30,000 lb (15,000 kg)	1,438 lb	\$7,220.00
66493	67736	7 ft × 10 ft × 5 in	30,000 lb (15,000 kg)	3,372 lb	\$12,505.00
66494	67737	8 ft × 10 ft × 5 in	30,000 lb (15,000 kg)	3,699 lb	\$14,030.00
<b>Canadian Weights and Measures Approved</b>					
197355	197365	4 ft × 4 ft × 5 in	30,000 lb (15,000 kg)	675 lb	\$4,940.00
197356	197366	4 ft × 5 ft × 5 in	30,000 lb (15,000 kg)	839 lb	\$5,390.00
197357	197367	4 ft × 6 ft × 5 in	30,000 lb (15,000 kg)	1,071 lb	\$5,575.00
197358	197368	4 ft × 7 ft × 5 in	30,000 lb (15,000 kg)	1,200 lb	\$5,985.00
197359	197369	5 ft × 5 ft × 5 in	30,000 lb (15,000 kg)	1,021 lb	\$5,530.00
197360	197375	5 ft × 7 ft × 5 in	30,000 lb (15,000 kg)	1,448 lb	\$6,375.00
197361	197376	6 ft × 6 ft × 5 in	30,000 lb (15,000 kg)	1,438 lb	\$7,220.00
197363	197377	7 ft × 10 ft × 5 in	30,000 lb (15,000 kg)	3,372 lb	\$12,505.00
197364	197378	8 ft × 10 ft × 5 in	30,000 lb (15,000 kg)	3,699 lb	\$14,030.00

## Standard Features

- Heavy-duty industrial design
- Structural steel channel frame
- Diamond safety tread plate deck
- Four NTEP Certified alloy steel, shear beam load cells
- 20 ft SURVIVOR® EL147HE hostile environment load cell cable
- Side-access junction box
- Four adjustable mild steel SUREFOOT™ support feet

## Specifications

### End Load Capacity:

100% full scale at 20,000 lb  
66% full scale at 30,000 lb

### Cable Length:

20 ft (6.1 m) for connecting junction box to indicator

### Junction Box:

TuffSeal® JB4SS stainless steel, NEMA Type 4X junction box with signal trim card

### Welding:

Stitch

### Threaded Eyebolt:

Hole (3/4-10 NC) located in center of deck for easy lifting

### Warranty (limited):

Weldment: Five years  
Load cells: Two years  
All other components: One year

### Approvals:

NTEP 92-001, Class III, 5,000 d  
Measurement Canada AM-5284  
(Only capacities greater than 10,000 kg)  
Load Cell NTEP  
Load Cell cFmus Approved

# RoughDeck® HP-H

High Performance Heavy Capacity Floor Scale

## Options/Accessories

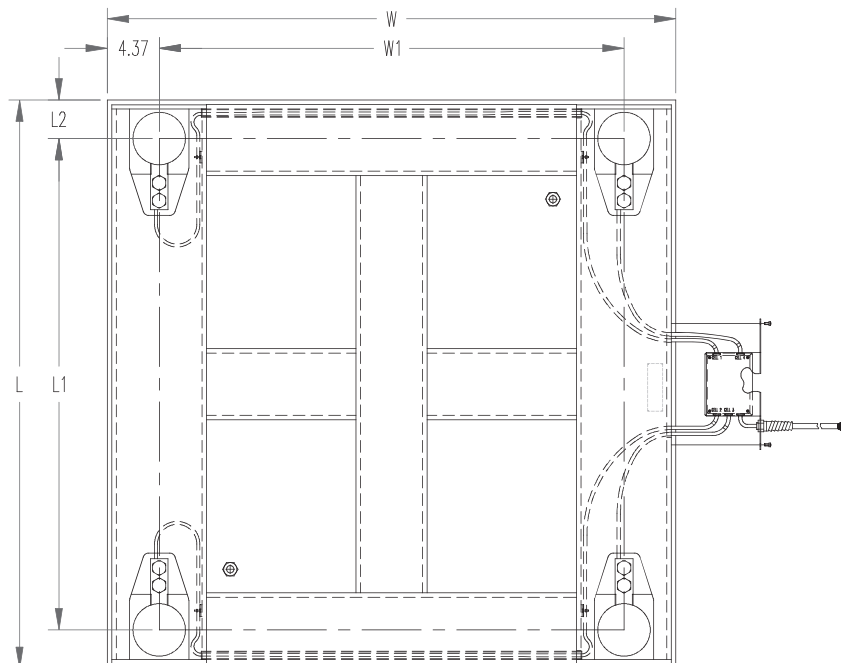
Part #	Description	Price
Consult	Access ramps available	See catalog page 381
Consult	Pit frames available	See catalog page 384
Consult	Bumper guards available	See catalog page 387 through catalog page 389
Consult	Portability frames available	See catalog page 390 through catalog page 395
Consult	Smooth deck instead of diamond safety treadplate	No charge
40387	Anchor plate set, mild steel, 20,000 lb capacity models (optional)	\$55.00
40388	Anchor plate set, mild steel, 30,000 lb capacity models (optional)	\$55.00
Consult	Four drilled deck holes for scale height adjustment	\$40.00
19352	Floor stand for indicator, 36.3 in high, mild steel	\$250.00
126384	Floor stand for indicator, 48 in high, mild steel	\$275.00
Consult	Mild steel deck with RL32018S IP66 stainless steel cFMus approved load cells and hardware	+\$168.00 list price add-on
Consult	Mild steel deck with RL32218S-HE welded-seal IP69K stainless steel cFMus approved load cells and hardware	+\$316.00 list price add-on
Consult	Epoxy paint	+\$150.00 list price add-on
Consult	Top-access junction box	+\$100.00 list price add-on

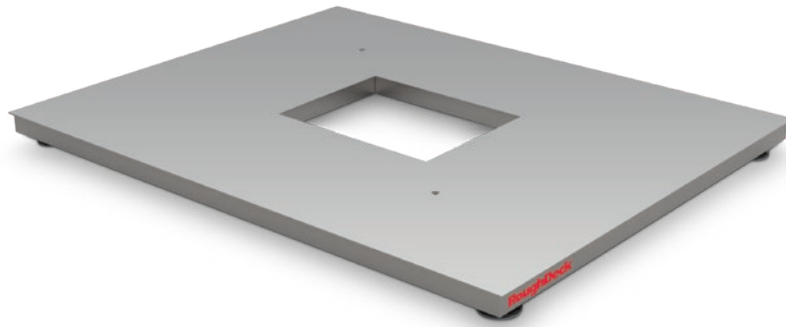
## Dimensions

L	L1	W	W1	H	L	L1	W	W1	H
<b>20,000 Capacity</b>					<b>30,000 Capacity</b>				
48.00 in	41.50 in	48.00 in	39.25 in	4.00 in	48.00 in	40.50 in	48.00 in	39.25 in	5.00 in
60.00 in	53.50 in	48.00 in	39.25 in	4.00 in	60.00 in	52.50 in	48.00 in	39.25 in	5.00 in
72.00 in	65.50 in	48.00 in	39.25 in	4.00 in	72.00 in	64.50 in	48.00 in	39.25 in	5.00 in
84.00 in	77.50 in	48.00 in	39.25 in	4.00 in	84.00 in	76.50 in	48.00 in	39.25 in	5.00 in
60.00 in	53.50 in	60.00 in	51.25 in	4.00 in	60.00 in	52.50 in	60.00 in	51.25 in	5.00 in
72.00 in	65.50 in	60.00 in	51.25 in	4.00 in	84.00 in	76.50 in	60.00 in	51.25 in	5.00 in
84.00 in	77.50 in	60.00 in	51.25 in	4.00 in	72.00 in	64.50 in	72.00 in	63.25 in	5.00 in
72.00 in	65.50 in	72.00 in	63.25 in	4.00 in	120.00 in	112.50 in	84.00 in	75.25 in	5.00 in
96.00 in	89.50 in	72.00 in	63.25 in	4.00 in	120.00 in	112.50 in	96.00 in	87.25 in	5.00 in
180.00 in	101.50 in	84.00 in	75.25 in	4.00 in					
120.00 in	113.50 in	84.00 in	75.25 in	4.00 in					
120.00 in	113.50 in	96.00 in	87.25 in	4.00 in					

Note: 1 in=25.4 mm.

Note: 1 in=25.4 mm.





FLOOR SCALES

Capacity of Scale   
*10,000 lb capacity or less*

Floor Scale Material:  *Painted Steel*       *Stainless Steel*

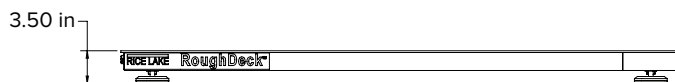
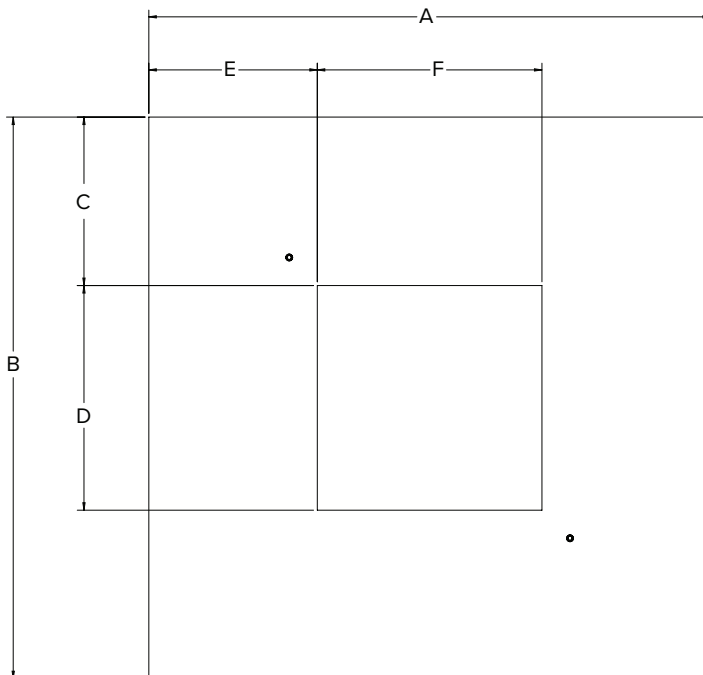
Load Cell Material:  *Alloy*       *Stainless Steel*

Top Plate Surface:  *Diamond Tread*       *Smooth*

Foot Adjust Holes:  *Yes*     *No*

Junction Box Access:  *Side*     *Top*

Scale Size	
<b>A</b> Scale Overall Width	<input type="text"/>
<b>B</b> Scale Overall Depth	<input type="text"/>
<b>C</b> Distance from Opening to Back of Scale	<input type="text"/>
<b>D</b> Hole Opening Depth	<input type="text"/>
<b>E</b> Distance from Opening to Side of Scale	<input type="text"/>
<b>F</b> Hole Opening Width	<input type="text"/>



# RoughDeck® RP

Rodent Protection Floor Scale



## Approvals



## Part Number/Price

Part #	Size (W × L × H)	Capacity	Est. Weight	Price
195834	4 ft × 4 ft × 3.5 in	5,000 lb	375 lb	\$2,670.00
195835	4 ft × 4 ft × 3.5 in	10,000 lb	375 lb	\$2,670.00
195836	5 ft × 5 ft × 3.5 in	5,000 lb	541 lb	\$3,150.00
195837	5 ft × 5 ft × 3.5 in	10,000 lb	696 lb	\$4,035.00

## Options/Accessories

Part #	Description	Price
18777	Floor anchor plates, mild steel (set of 2)	\$40.00

## Standard Features

- Heavy-duty industrial design
- Structural steel channel frame
- Four NTEP Certified alloy steel, shear beam load cells
- 20 ft SURVIVOR® EL147RP rodent protection load cell cable with 1/2-inch conduit fitting (conduit for home run cable to be supplied by customer)
- Top-access junction box with additional top access cover for routing load cell cable into scale conduit
- Diamond safety tread plate deck
- Four adjustable stainless steel SUREFOOT™ support feet

## Specifications

### End Load Capacity:

- 100% full scale at 5,000 lb
- 80% full scale at 10,000 lb

### Cable Length:

20 ft (6.1 m) for connecting junction box to indicator  
*Note: 1/2 in conduit fitting supplied, conduit for home run cable to be supplied by customer*

### Junction Box:

TuffSeal® JB4SS stainless steel, NEMA Type 4X junction box with signal trim card

### Welding:

Stitch

### Threaded Eyebolt:

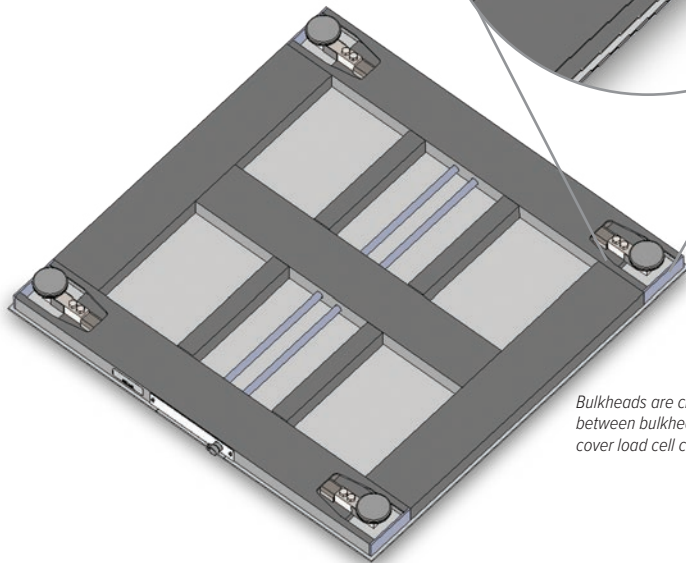
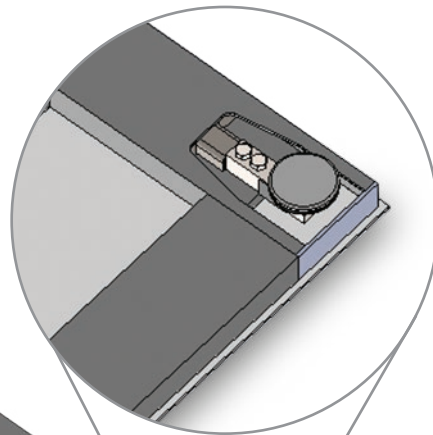
Hole (1/2-20 NF) located in center of deck for easy lifting

### Warranty (limited):

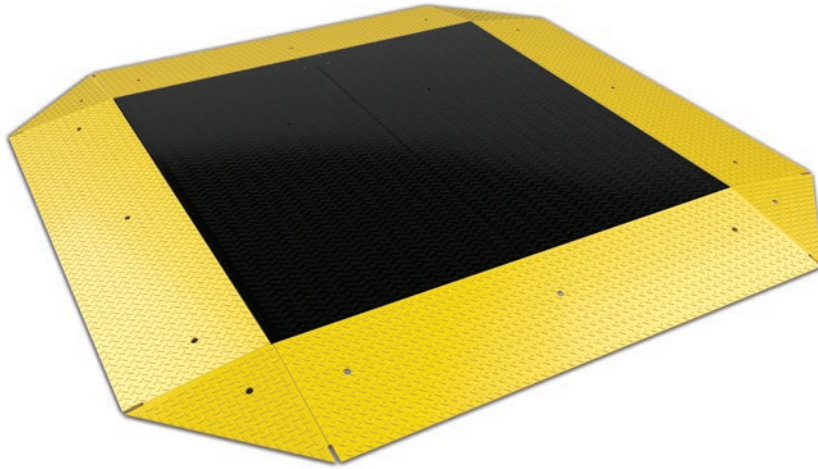
Weldment: Five years  
 Load cells: Two years  
 All other components: One year

### Approvals:

NTEP 92-001, Class III 5,000d  
 Load Cell is NTEP  
 Load Cell is cFMus Approved



*Bulkheads are closed; there is a cap/cover between bulkhead and back of load cell to cover load cell cable*



## Standard Features

- Foot adjustment holes for leveling scale from above
- Four ball-encapsulated feet
- Four IP66, alloy steel 10,000 lb load cells
- Top-access junction box
- Epoxy paint for added protection. Ramps are painted yellow and scale is painted black to easily distinguish live weighing surface.
- 20 ft SURVIVOR® EL147HE hostile environment load cell cable to connect scale to indicator. Cable can exit scale/ramp from any corner.
- Scale and wraparound ramps to access scale from all sides
- Ramps have integrated foot keeper plates to keep scale in check with ramps
- Holes in ramps to access internal anchor tabs from above. 16 anchor bolts at 3/4 in included.
- All surfaces diamond tread

## Specifications

### End Load Capacity:

100% full scale at 20,000 lb

### Cable Length:

20 ft (6.1 m) for connecting junction box to indicator

### Junction Box:

TuffSeal® JB4SS stainless steel, NEMA Type 4X junction box with signal trim card

### Welding:

Stitch

### Threaded Eyebolt:

Four holes (3/4-10 NC)

### Warranty (limited):

Weldment: Five years  
Load cells: Two years  
All other components: One year

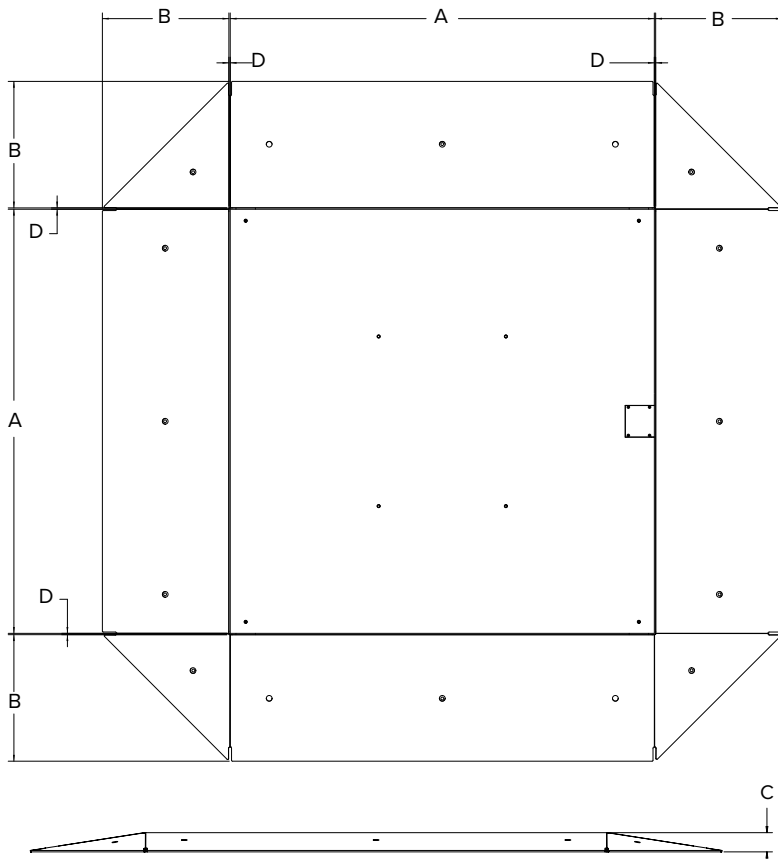
## Part Number/Price

Part #	Overall Size (W × L × H)	Ramp Angle of Incline	Capacity	Est. Weight	Price
194338	Scale: 10 ft × 10 ft × 4 3/8 in Ramps: (4) 3 ft × 10 ft × 4 3/8 in Corners: (4) 3 ft × 4 ft 1 in × 4 3/8 in	6.5°	20,000 lb	6,800 lb	\$28,135.00

## Dimensions

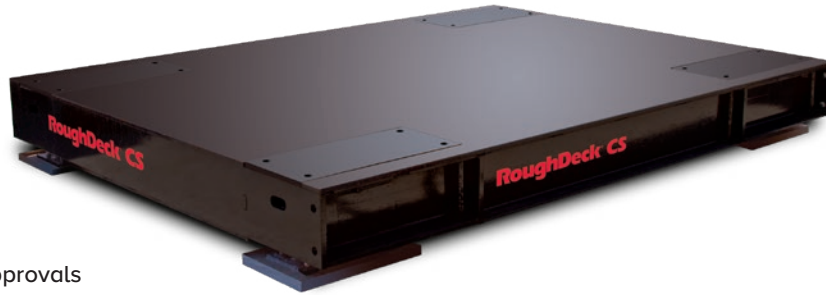
RoughDeck PC			
A	120.00 in	C	4.37 in
B	35.80 in	D	0.38 in

Note: 1 in=25.4 mm



# RoughDeck® CS

Coil Floor Scale



## Approvals

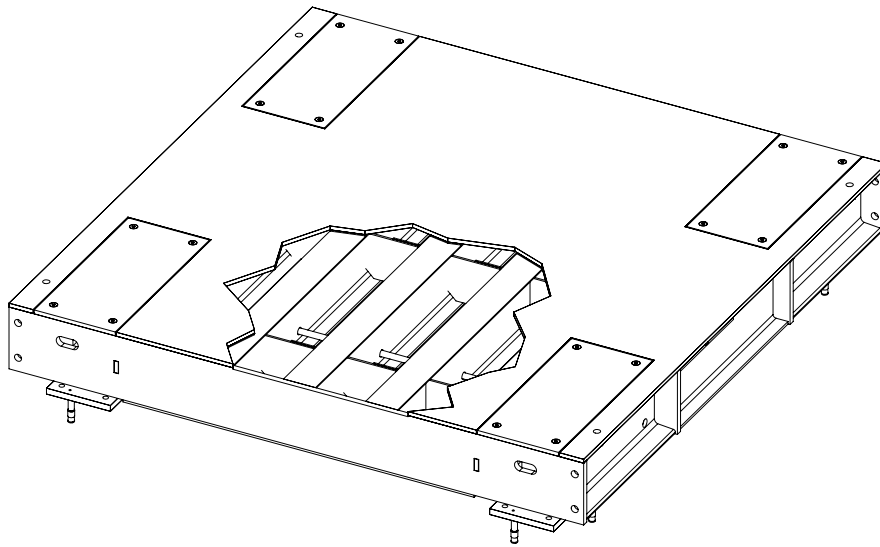


## Part Number/Price

Part #	Size (W x LW x H)	Capacity	Est. Weight	Price
107493	5 ft x 5 ft x 11 in	40,000 lb (20,000 kg)	1,900 lb	\$16,535.00
107494	5 ft x 5 ft x 11 in	60,000 lb (30,000 kg)	1,900 lb	\$16,535.00
107495	5 ft x 5 ft x 11 in	80,000 lb (40,000 kg)	1,900 lb	\$16,535.00
107496	6 ft x 6 ft x 11 in	40,000 lb (20,000 kg)	2,575 lb	\$18,745.00
107497	6 ft x 6 ft x 11 in	60,000 lb (30,000 kg)	2,575 lb	\$18,745.00
107498	6 ft x 6 ft x 11 in	80,000 lb (40,000 kg)	2,575 lb	\$18,745.00

## Options/Accessories

Part #	Description	Price
114678	V-Top coil cradle 24 degree (5 x 5 ft scale)	\$6,500.00
114684	V-Top coil cradle 24 degree (6 x 6 ft scale)	\$8,100.00
230366	V-top coil cradle 6 degree, (5 x 5 ft scale)	Consult
230367	V-top coil cradle 6 degree, (6 x 6 ft scale)	Consult
Consult	Pit coping	Consult



## Standard Features

- Capacities: 40,000 to 80,000 lb; consult factory for custom capacities
- Deck thickness: 1/2 in smooth top plate
- MVS self-checking mounting system, top access to load cells
- 20 ft SURVIVOR® EL147HE hostile environment load cell cable
- Ships unassembled with eight concrete anchor bolts

## Specifications

### Capacities:

Scale, load cell mount:  
 40,000 lb: Qty 4 50,000 lb each  
 60,000 lb: Qty 4 50,000 lb each  
 80,000 lb: Qty 4 75,000 lb each

### Understructure Clearance:

1.91 in minimum

### Cable Length:

20 ft (6.1 m) for connecting junction box to indicator

### Junction Box:

TuffSeal® JB4SS stainless steel, NEMA Type 4X junction box with signal trim card

### Welding:

Stitch

### Warranty (limited):

Weldment: Five years  
 Load cells: Two years  
 All other components: One year

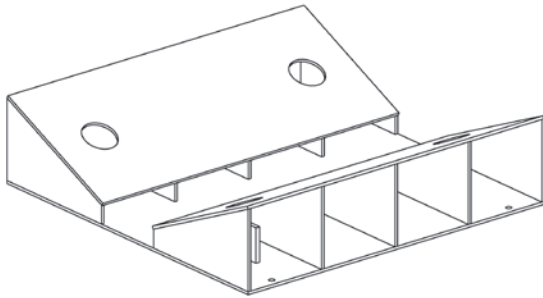
### Approvals:

NTEP 11-068, Class III, 5,000 d  
 Load Cell is NTEP  
 Load Cell is cFMus Approved

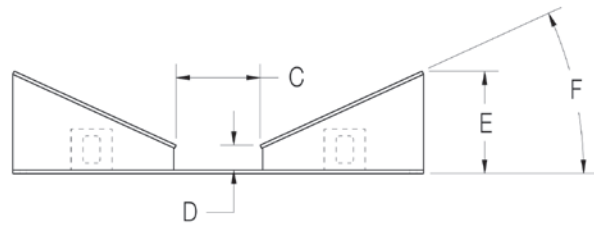
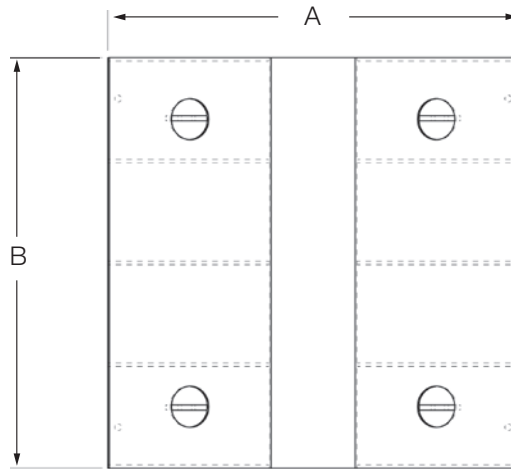
## Dimensions

RoughDeck CS			
5 × 5 ft V-Top Coil Cradle (24 degree)			
A	60.00 in	D	3.64 in
B	60.00 in	E	14.95 in
C	12.30 in	F	25°
6 × 6 ft V-Top Coil Cradle			
A	72.00 in	D	3.99 in
B	72.00 in	E	14.96 in
C	22.62 in	F	24°

Note: 1 in=25.4 mm



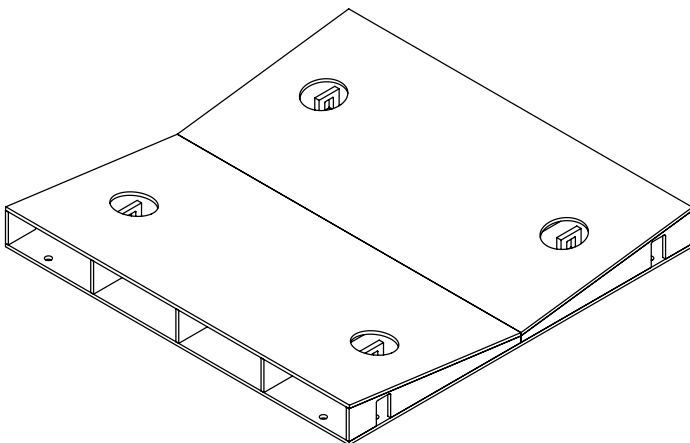
V-Top Coil Cradle



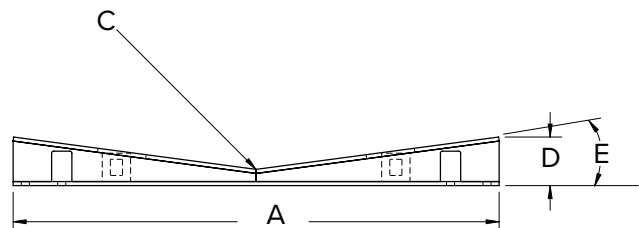
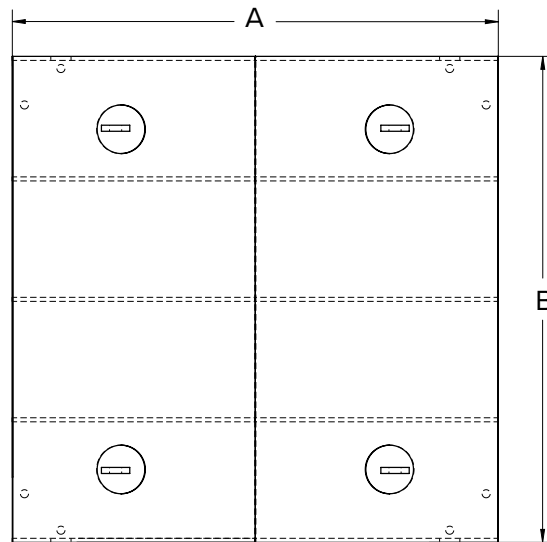
## Dimensions

RoughDeck CS			
5 × 5 ft V-Top Coil Cradle (6 degree)			
A	60.00 in	D	6.00 in
B	60.00 in	E	6°

Note: 1 in=25.4 mm



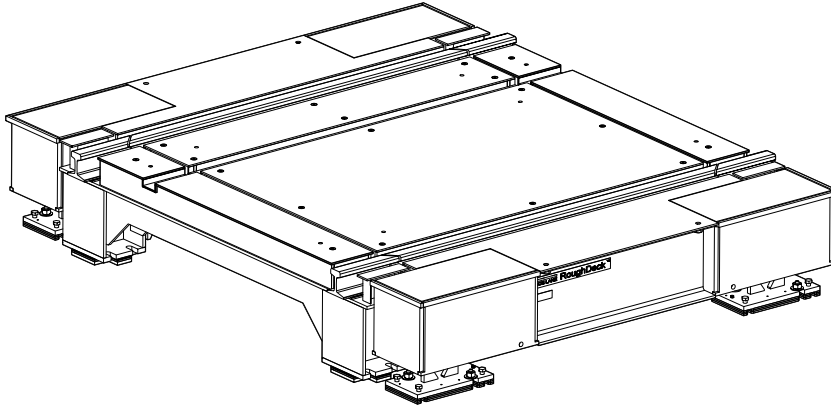
V-Top Coil Cradle



# RoughDeck® CS Rail Car

Top-access Coil Scale

FLOOR SCALES



Scale Capacity: \_\_\_\_\_

Rail Size: \_\_\_\_\_

*Note: Rails to be welded on-site*

New Installation or Existing?  New  Existing

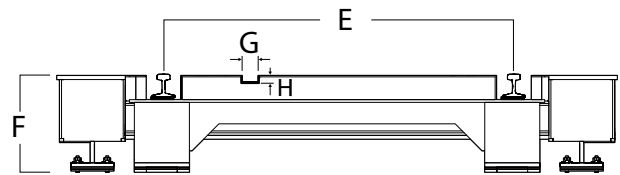
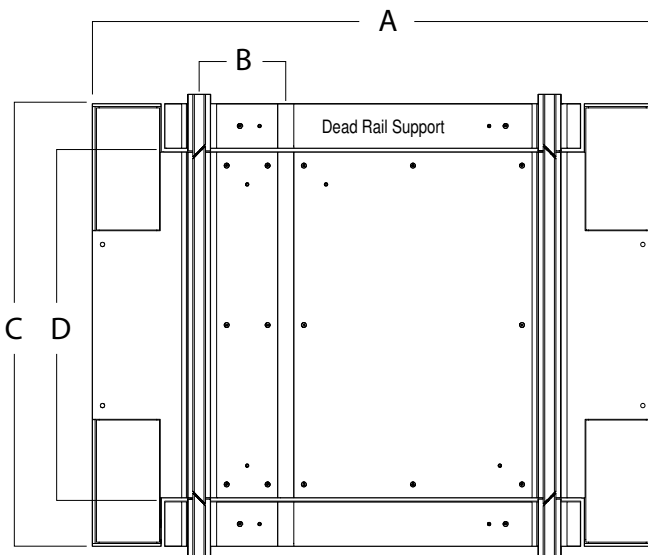
Size of Cart: \_\_\_\_\_

Size of Wheel Base: \_\_\_\_\_

Cable Through Required?  Yes  No

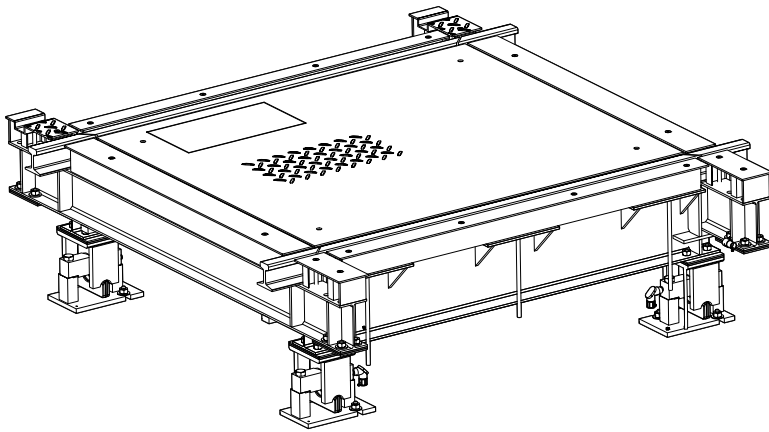
Grout or Shim Installation?  Grout  Shim

Scale Size	
<b>A</b> (Pit Width)	
<b>B</b> (Rail to Channel On Center)	
<b>C</b> (Pit Opening)	
<b>D</b> (Scale Length)	
<b>E</b> (Rail Width On Center)	
<b>F</b> (Pit Depth)	
<b>G</b> (Cable Channel Width)	
<b>H</b> (Cable Channel Depth)	



# RoughDeck® CS Rail Car

Under Beam Mount Coil Scale



FLOOR SCALES

Scale Capacity: \_\_\_\_\_

Rail Size: \_\_\_\_\_

*Note: Rails to be welded onsite*

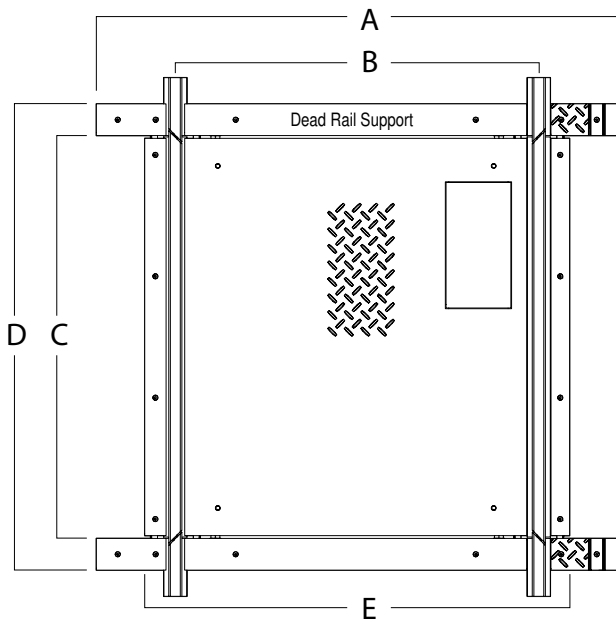
New Installation or Existing?  New  Existing

Size of Cart: \_\_\_\_\_

Size of Wheel Base: \_\_\_\_\_

Grout or Shim Installation?  Grout  Shim

Scale Size	
<b>A</b> (Dead Rail Beam)	
<b>B</b> (Rail Width On Center)	
<b>C</b> (Scale Length)	
<b>D</b> (Pit Opening)	
<b>E</b> (Scale Width)	
<b>F</b> (Pit Depth)	



# RoughDeck® SS

Stainless Steel Floor Scale



## Approvals



Measurement  
Canada  
Approved



## Part Number/Price

NTEP Approved Part #	Measurement Canada Approved Part #	Size (W × L × H)	Capacity	Est. Weight	Price
232372†	232379	2 ft × 2 ft × 3.5 in	2,000 lb (1,000 kg)	173 lb	\$3,300.00
18663†	191958†	2.5 ft × 2.5 ft × 3.5 in	2,000 lb (1,000 kg)	173 lb	\$3,300.00
46239†	191959†	3 ft × 3 ft × 3.5 in	1,000 lb (500 kg)	232 lb	\$3,810.00
18664†	191960†	3 ft × 3 ft × 3.5 in	2,000 lb (1,000 kg)	232 lb	\$3,810.00
46241	191961	4 ft × 4 ft × 3.5 in	1,000 lb (500 kg)	375 lb	\$5,460.00
18665	191962	4 ft × 4 ft × 3.5 in	5,000 lb (2,500 kg)	375 lb	\$5,460.00
18666	191964	4 ft × 4 ft × 3.5 in	10,000 lb (5,000 kg)	490 lb	\$7,920.00
18667	191965	4 ft × 5 ft × 3.5 in	5,000 lb (2,500 kg)	437 lb	\$6,240.00
18668	191966	4 ft × 5 ft × 3.5 in	10,000 lb (5,000 kg)	567 lb	\$8,835.00
18671	191967	5 ft × 5 ft × 3.5 in	5,000 lb (2,500 kg)	541 lb	\$8,015.00
18672	191968	5 ft × 5 ft × 3.5 in	10,000 lb (5,000 kg)	696 lb	\$10,305.00
18675	191969	5 ft × 7 ft × 3.5 in	5,000 lb (2,500 kg)	734 lb	\$10,620.00
18676	191970	5 ft × 7 ft × 3.5 in	10,000 lb (5,000 kg)	929 lb	\$13,590.00

† Not recommended for use with pallet jacks

## Options/Accessories

Part #	Description	Price
Consult	Access ramps available	See catalog page 381
Consult	Pit frames available	See catalog page 384
Consult	Bumper guards available	See catalog page 387 through catalog page 389
Consult	Portability frames available	See catalog page 390 through catalog page 395
18778	Floor anchor plates, stainless steel (set of 2)	\$55.00
Consult	Four drilled deck holes for scale height adjustment	\$40.00
Consult	Top-access junction box	+\$100.00 list price add-on
Consult	Stainless steel deck with RL32218S-HE hermetically sealed IP69K stainless steel cFMus approved load cells and hardware	+\$340.00 list price add-on
28740	Floor stand for indicator, 36.3 in high, stainless steel	\$340.00
Consult	Stainless steel diamond treadplate safety deck	Consult
Consult	Forklift channel option up to 5 × 7 ft, 10,000 lb, accommodates fork tines no larger than (W × H) 5 × 2 in, fork entry is on opposite side of junction box location	+\$1,700.00 list price add-on

## Standard Features

- Rugged non-corrosive design
- 304 stainless steel construction
- Rigid stainless steel channel frame
- Four stainless steel, NTEP Certified, IP66 shear beam load cells
- 20 ft of SURVIVOR® EL147HE hostile environment load cell cable
- Side access junction box
- Smooth stainless steel deck
- Four adjustable stainless steel SUREFOOT™ support feet

## Specifications

### End Load Capacity:

- 200% full scale at 1,000 lb
- 100% full scale at 2,000 lb and 5,000 lb
- 80% full scale at 10,000 lb

### Cable Length:

- 20 ft (6.1 m) (for connecting junction box to indicator)

### Scale Weldment:

- AISI304L, glass bead blasted for even appearance

### Junction Box:

- TuffSeal® JB4SS stainless steel, NEMA Type 4X junction box with signal trim card

### Welding:

- Stitch, consult factory if continuous is required

### Threaded Eyebolt:

- Hole (1/2-20 NF) located in center of deck for easy lifting

### Warranty (limited):

- Weldment: Five years
- Load cells: Two years
- All other components: One year

### Approvals:

- NTEP 92-001, Class III 5,000 d
- Measurement Canada AM-4827, Class III 5,000 d
- Load Cell is NTEP
- Load Cell is cFMus Approved



### Approvals



Measurement  
Canada  
Approved



### Part Number/Price

NTEP Approved Part #	Measurement Canada Approved Part #	Size (W x L x H)	Capacity	Est. Weight	Price
232380†	232381	2 ft x 2 ft x 3.5 in	2,000 lb (1,000 kg)	173 lb	\$3,640.00
18680†	193293	2.5 ft x 2.5 ft x 3.5 in	2,000 lb (1,000 kg)	173 lb	\$3,640.00
18681†	193294	3 ft x 3 ft x 3.5 in	2,000 lb (1,000 kg)	232 lb	\$4,150.00
18682	193296	4 ft x 4 ft x 3.5 in	5,000 lb (2,500 kg)	375 lb	\$5,800.00
18683	193297	4 ft x 4 ft x 3.5 in	10,000 lb (5,000 kg)	490 lb	\$8,260.00
18684	193298	4 ft x 5 ft x 3.5 in	5,000 lb (2,500 kg)	437 lb	\$6,580.00
18685	193307	4 ft x 5 ft x 3.5 in	10,000 lb (5,000 kg)	567 lb	\$9,175.00
18688	193308	5 ft x 5 ft x 3.5 in	5,000 lb (2,500 kg)	541 lb	\$8,355.00
18689	193309	5 ft x 5 ft x 3.5 in	10,000 lb (5,000 kg)	696 lb	\$10,645.00
18692	193310	5 ft x 7 ft x 3.5 in	5,000 lb (2,500 kg)	734 lb	\$10,960.00
18693	193311	5 ft x 7 ft x 3.5 in	10,000 lb (5,000 kg)	929 lb	\$13,930.00

†Not recommended for use with pallet jacks

### Options/Accessories

Part #	Description	Price
Consult	Access ramps available	See catalog page 381
Consult	Pit frames available	See catalog page 384
Consult	Bumper guards available	See catalog page 387 through catalog page 389
Consult	Portability frames available	See catalog page 390 through catalog page 395
18778	Floor anchor plates, stainless steel (set of two)	\$55.00
Consult	Four drilled deck holes for scale height adjustment	\$40.00
28740	Floor stand for indicator, 36.3 in high, stainless steel	\$340.00
Consult	Stainless steel diamond treadplate safety deck	Consult
Consult	Forklift channel option up to 5 x 7 ft, 10,000 lb, accommodates fork tines no larger than (W x H) 5 x 2 in, fork entry is on opposite side of junction box location	+\$1,700.00 list price add-on

### Standard Features

- Rugged washdown design
- 304 stainless steel construction
- Rigid 304 stainless steel channel frame
- Four stainless steel, hermetically sealed, IP69K shear beam load cells
- 20 ft of SURVIVOR® EL147HE hostile environment load cell cable
- Load cells protected on all four sides
- Smooth stainless steel deck
- Remote mounted junction box

### Specifications

#### End Load Capacity:

100% full scale at 2,000 lb and 5,000 lb  
80% full scale at 10,000 lb

#### Cable Length:

20 ft (6.1 m)

#### Scale Weldment:

AISI304L, glass bead blasted for even appearance

#### Junction Box:

TuffSeal® JB4SS stainless steel, NEMA Type 4X junction box with signal trim card

#### Welding:

Stitch, consult factory if continuous is required

#### Threaded Eyebolt:

Hole (1/2-20 NF) located in center of deck for easy lifting

#### Warranty (limited):

Weldment: Five years  
Load cells: Two years  
All other components: One year

#### Approvals:

NTEP 92-001 Class III 5,000 d  
Measurement Canada AM-4827 Class III 5,000 d  
Load cell is NTEP  
Load cell is cFmus Approved

# AutoLift HE

Pit-type, Hostile Environment Stainless Steel Lift Floor Scale

FLOOR SCALES



## Approvals



Measurement  
Canada  
Approved



*The pneumatic control box must be located in the safe area.*

## Part Number/Price

Part #	Size (W × L)	Capacity	Est. Weight	Price
42207	4 × 4 ft	2,000 lb (1,000 kg)	640 lb	\$19,050.00
42208	4 × 4 ft	5,000 lb (2,500 kg)	640 lb	\$19,050.00
42209	4 × 4 ft	10,000 lb (5,000 kg)	750 lb	\$19,675.00
42211	5 × 5 ft	2,000 lb (1,000 kg)	830 lb	\$24,230.00
42212	5 × 5 ft	5,000 lb (2,500 kg)	830 lb	\$24,230.00
42213	5 × 5 ft	10,000 lb (5,000 kg)	1,050 lb	\$24,630.00

## Options/Accessories

Part #	Description	Price
Consult	Four drilled deck holes for scale height adjustment	\$40.00
28740	Floor stand for indicator, 36.3 in high stainless steel	\$340.00

## Standard Features

- Includes scale, pit frame, pit coping and pneumatic control box
- Rugged washdown design
- 304 stainless steel construction
- Rigid 304 stainless steel channel frame
- Meets HACCP requirements
- Manual, drop-in-place, safety bar
- Four stainless steel, hermetically sealed, IP69K shear beam load cells
- Load cells protected on all four sides
- 20 ft of SURVIVOR® hostile environment load cell cable
- Smooth stainless steel deck
- Four adjustable stainless steel SUREFOOT™ support feet
- Requires 85 to 100 psi air pressure, opens 43 degrees
- Air lines and pneumatic regulator included; conduit for load cell cable from junction box to indicator is not included

## Specifications

### End Load Capacity:

100% full scale at 2,000 lb and 5,000 lb  
80% full scale at 10,000 lb

### Cable Length:

20 ft (6.1 m)

### Scale Weldment:

AISI304L, glass bead blasted for even appearance

### Junction Box:

TuffSeal® JB4SS stainless steel, NEMA Type 4X junction box with signal trim card

### Welding:

Stitch, consult factory if continuous is required

### Threaded Eyebolt:

Hole (1/2-20 NF) located in center of deck for easy lifting

### Warranty (limited):

Weldment: Five years  
Load cells: Two years  
All other components: One year

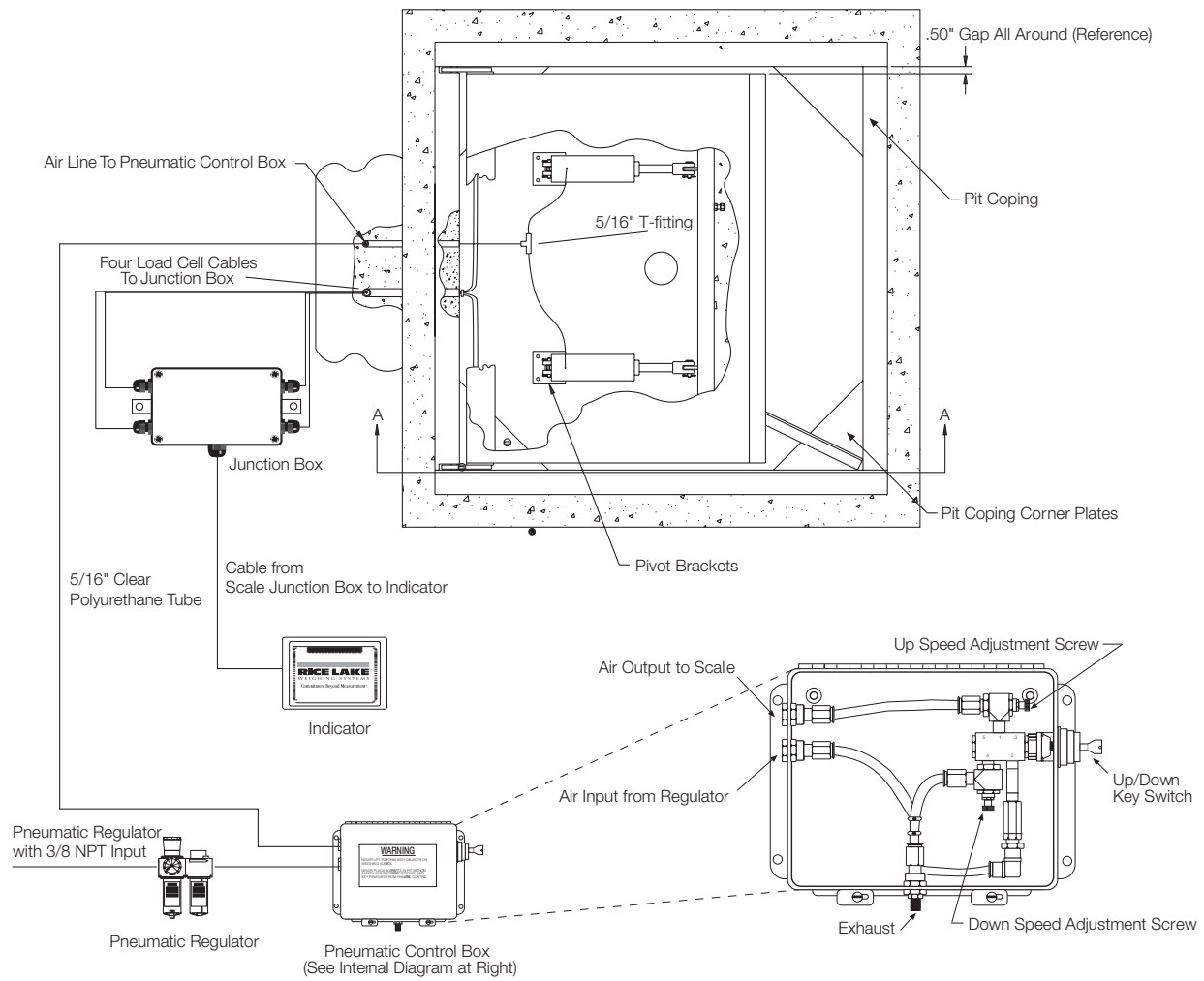
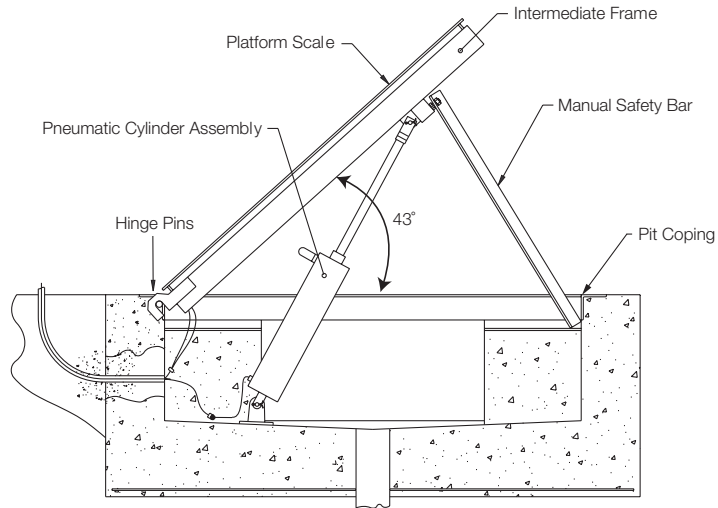
### Approvals:

NTEP 92-001  
Measurement Canada  
FM Approved

# AutoLift HE

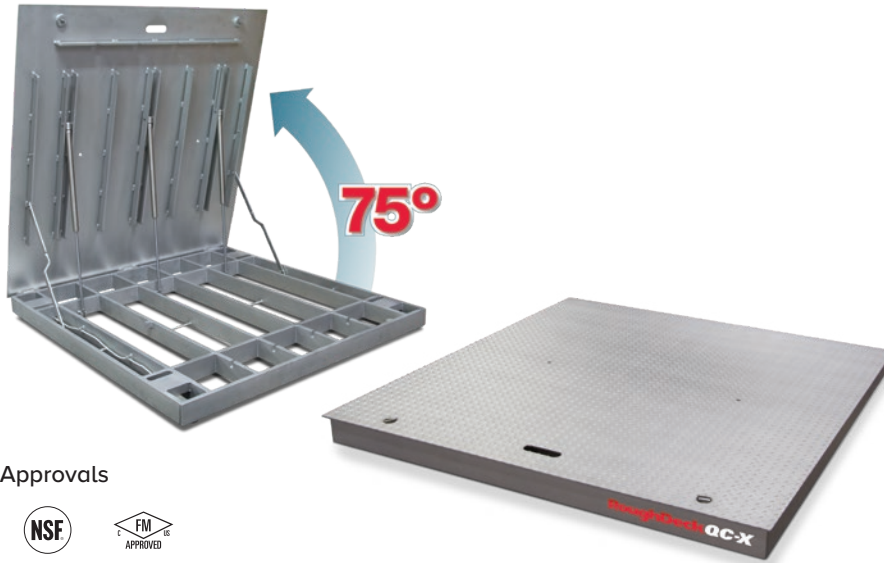
Pit-type, Hostile Environment Stainless Steel Lift Floor Scale

FLOOR SCALES

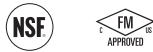


# RoughDeck® QC-X

Quick Clean Extreme Lift Floor Scale with Solid Plate Base



Approvals



## Part Number/Price

Part #	Size (W × L × H)	Capacity	Est. Weight	Price
<b>Smooth Top Plate</b>				
175686	4 ft × 4 ft × 4.625 in	5,000 lb (2,500 kg)	650 lb	\$13,540.00
175689	4 ft × 4 ft × 4.625 in	10,000 lb (5,000 kg)	650 lb	\$13,540.00
175694	5 ft × 5 ft × 4.625 in	5,000 lb (2,500 kg)	950 lb	\$18,685.00
175695	5 ft × 5 ft × 4.625 in	10,000 lb (5,000 kg)	950 lb	\$18,685.00
<b>Diamond Tread Top Plate</b>				
175688	4 ft × 4 ft × 4.625 in	5,000 lb (2,500 kg)	650 lb	\$14,420.00
175690	4 ft × 4 ft × 4.625 in	10,000 lb (5,000 kg)	650 lb	\$14,420.00
175696	5 ft × 5 ft × 4.625 in	5,000 lb (2,500 kg)	950 lb	\$20,060.00
175697	5 ft × 5 ft × 4.625 in	10,000 lb (5,000 kg)	950 lb	\$20,060.00

## Options/Accessories

Part #	Description	Price	
28740	Floor stand for indicator, 36.3 in high, stainless steel	\$340.00	
18778	Floor anchor plates, stainless steel (set of two)	\$55.00	
<b>Pit Frames (L × W)</b>			
175691	4 × 4 ft	\$2,680.00	
175698	5 × 5 ft	\$2,900.00	
<b>Ramps (Diamond Treadplate Standard)</b>			
		<b>Ramp Angle of Incline</b>	
175692	4 ft × 3 ft × 4.625 in, fits hinge/handhole side	7.0°	\$4,615.00
175693	4 ft × 4 ft × 4.625 in, fits hinge/handhole side	5.2°	\$5,290.00
175699	5 ft × 3 ft × 4.625 in, fits hinge/handhole side	7.0°	\$5,290.00
175700	5 ft × 4 ft × 4.625 in, fits hinge/handhole side	5.2°	\$5,865.00
178840	4 ft × 3 ft × 4.625 in, fits side of scale	7.0°	\$4,615.00
178849	4 ft × 4 ft × 4.625 in, fits side of scale	5.2°	\$5,290.00
178850	5 ft × 3 ft × 4.625 in, fits side of scale	7.0°	\$5,290.00
178851	5 ft × 4 ft × 4.625 in, fits side of scale	5.2°	\$5,865.00

## Standard Features

- Rugged washdown design, rigid 304 stainless steel frame constructed with continuous welds
- Meets HACCP requirements
- Manual drop-in-place safety bars
- Four stainless steel, hermetically sealed, IP69K shear beam load cells with 30 ft cables
- 20 ft of SURVIVOR® EL147HE hostile environment cable for connecting junction box to indicator
- Remote junction box can be mounted up to 15 ft away
- 1/4 in top plate
- Four adjustable stainless steel SUREFOOT™ support feet
- Top plate opens 75 degrees
- Tool-less top plate lock downs
- Top plate available with a smooth deck or diamond treadplate
- Two 1/2-20 NF threaded eyebolt holes for lifting scale into pit frame

## Specifications

### End Load Capacity:

- 100% full scale at 5,000 lb
- 80% full scale at 10,000 lb

### Cable Length:

- 20 ft (6.1 m) for connecting junction box to indicator

### Scale Weldment:

- AISI304L, glass bead blasted for even appearance

### Junction Box:

- TuffSeal® JB4SS stainless steel, NEMA Type 4X junction box with signal trim card

### Welding:

- Continuous

### Threaded Eyebolt:

- Two 1/2-20 NF threaded eyebolt holes for lifting scale into pit frame

### Warranty (limited):

- Weldment: Five years
- Load cells: Two years
- All other components: One year

### Approvals:

- NSF
- cFMus

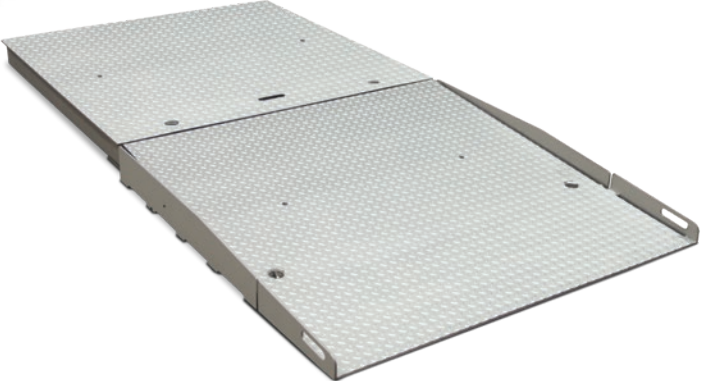
# RoughDeck® QC-X

Quick Clean Extreme Lift Floor Scale with Solid Plate Base

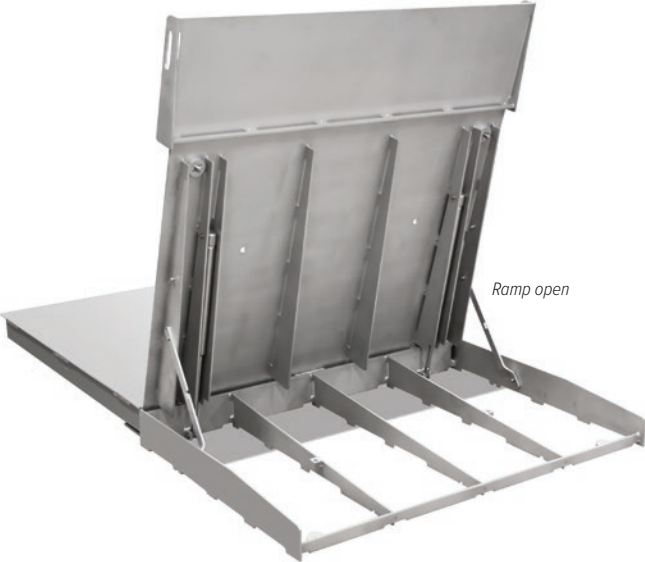
FLOOR SCALES



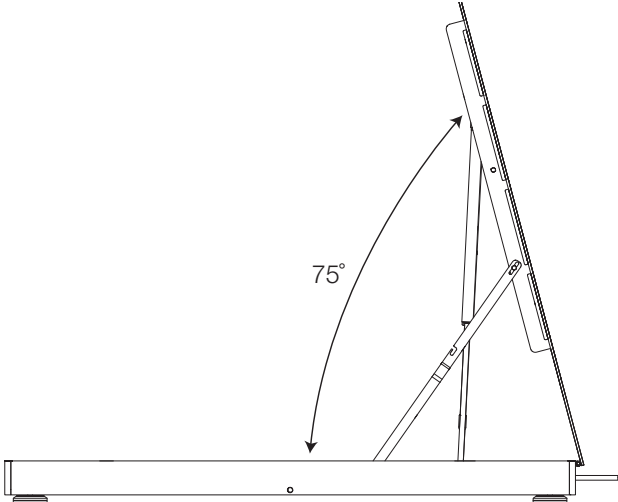
Ramp fits side of scale



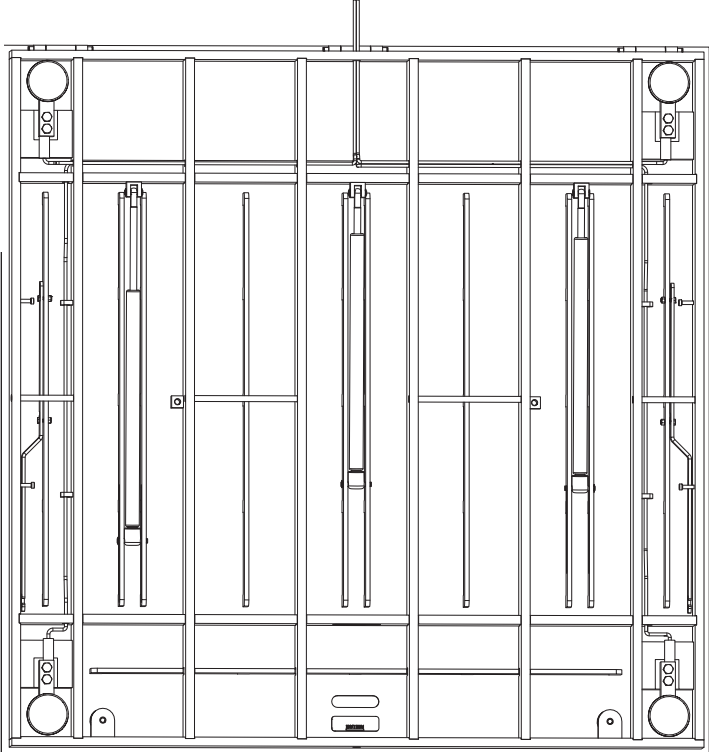
Ramp fits hinge/handhole side



Ramp open



Upright position



Underdeck View

# RoughDeck® QC-XP

Quick Clean Extreme Portable Solid Base Plate Floor Scale

FLOOR SCALES



Approvals



## Part Number/Price

Part #	Size (W × L × H)	Capacity	Price
<b>Smooth Top Plate</b>			
193283	4 ft × 4 ft × 7 in	5,000 lb (2,500 kg)	\$16,540.00
193284	4 ft × 4 ft × 7 in	10,000 lb (5,000 kg)	\$16,540.00
<b>Diamond Tread Top Plate</b>			
193287	4 ft × 4 ft × 7 in	5,000 lb (2,500 kg)	\$17,420.00
193288	4 ft × 4 ft × 7 in	10,000 lb (5,000 kg)	\$17,420.00

## Options/Accessories

Part #	Description	Price
28740	Floor stand for indicator, 36.3 in high, stainless steel	\$340.00
18778	Floor anchor plates, stainless steel (set of two)	\$55.00

## Standard Features

- Designed with forklift pockets for portability
- Rugged washdown design, rigid 304 stainless steel frame constructed with continuous welds
- Meets HACCP requirements
- Manual drop-in-place safety bars
- Four stainless steel, hermetically sealed, IP69K shear beam load cells with 30 ft cables
- 20 ft of SURVIVOR® EL147HE hostile environment cable for connecting junction box to indicator
- Internally mounted junction box
- 1/4 in top plate
- Four adjustable stainless steel SUREFOOT™ support feet
- Top plate opens 75 degrees
- Tool-less top plate lock downs
- Top plate available with a smooth deck or diamond treadplate
- Two 1/2-20 NF threaded eyebolt holes for lifting scale into pit frame

## Specifications

### End Load Capacity:

- 100% full scale at 5,000 lb
- 80% full scale at 10,000 lb

### Cable Length:

- 20 ft (6.1 m) for connecting junction box to indicator

### Scale Weldment:

- AISI304L, glass bead blasted for even appearance

### Junction Box:

- TuffSeal® JB4SS stainless steel, NEMA Type 4X junction box with signal trim card

### Welding:

- Continuous

### Threaded Eyebolt:

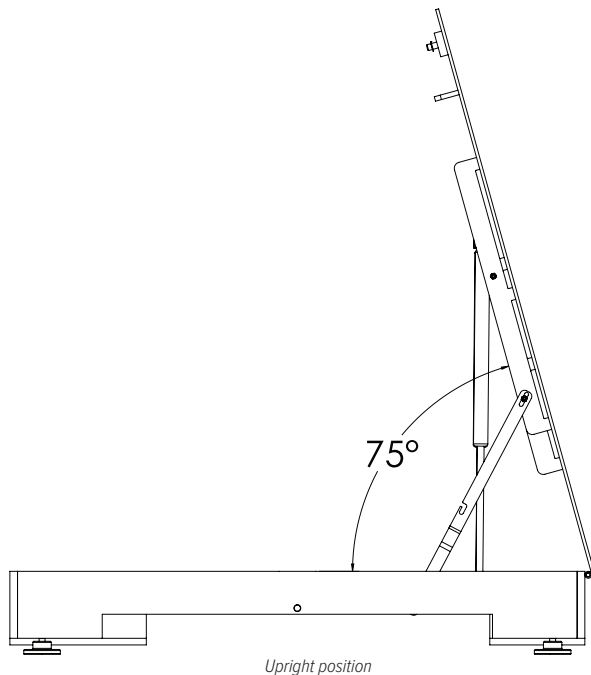
- Two 1/2-20 NF threaded eyebolt holes for lifting scale into pit frame

### Warranty (limited):

- Weldment: Five years
- Load cells: Two years
- All other components: One year

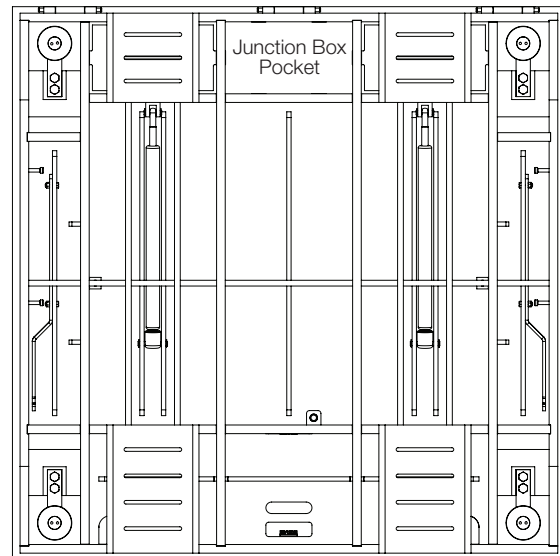
### Approvals:

- NSF
- cFMus



Upright position

Forklift pocket dimensions are 2.25 in tall x 7.50 in wide



Underdeck View



## Approvals



Standard RoughDeck QC is not designed for fork truck traffic or point loading. Please consult factory for pricing on RoughDeck QC special if your application involves either.

## Part Number/Price

Part #	Size (W × L × H)	Capacity	Est. Weight	Price
50402	2.5 ft × 2.5 ft × 3.5 in	2,000 lb (1,000 kg)	158 lb	\$7,290.00
50403	3 ft × 3 ft × 3.5 in	2,000 lb (1,000 kg)	208 lb	\$7,810.00
50404	4 ft × 4 ft × 3.5 in	2,000 lb (1,000 kg)	338 lb	\$8,565.00
50405	4 ft × 4 ft × 3.5 in	5,000 lb (2,500 kg)	338 lb	\$8,565.00
50406	4 ft × 4 ft × 4.5 in	10,000 lb (5,000 kg)	447 lb	\$9,425.00
50407	4 ft × 5 ft × 3.5 in	2,000 lb (1,000 kg)	406 lb	\$10,250.00
50408	4 ft × 5 ft × 4.5 in	5,000 lb (2,500 kg)	406 lb	\$10,250.00
50409	4 ft × 5 ft × 4.5 in	10,000 lb (5,000 kg)	540 lb	\$13,115.00
50410	4 ft × 6 ft × 4.5 in	2,000 lb (1,000 kg)	477 lb	\$13,115.00
50411	4 ft × 6 ft × 4.5 in	5,000 lb (2,500 kg)	477 lb	\$13,115.00
50412	4 ft × 6 ft × 5.5 in	10,000 lb (5,000 kg)	637 lb	\$14,760.00
50413	5 ft × 5 ft × 4.5 in	2,000 lb (1,000 kg)	478 lb	\$13,895.00
50414	5 ft × 5 ft × 4.5 in	5,000 lb (2,500 kg)	478 lb	\$13,895.00
50415	5 ft × 5 ft × 4.5 in	10,000 lb (5,000 kg)	637 lb	\$16,955.00
50416	5 ft × 7 ft × 5.5 in	2,000 lb (1,000 kg)	705 lb	\$20,450.00
50417	5 ft × 7 ft × 5.5 in	5,000 lb (2,500 kg)	705 lb	\$20,450.00
50418	5 ft × 7 ft × 5.5 in	10,000 lb (5,000 kg)	908 lb	\$21,720.00

## Options/Accessories

Part #	Description	Price
28740	Floor stand for indicator, 36.3 in high, stainless steel	\$340.00
Consult	RoughDeck QC ramps available	See catalog page 362
Consult	RoughDeck QC pit frames available	See catalog page 362
Consult	Stainless steel diamond treadplate safety deck	Consult
18778	Floor anchor plates, stainless steel (set of two)	\$55.00

## Standard Features

- Rugged washdown design
- Smooth, 304 stainless steel top deck
- Rigid 304 stainless steel tube frame
- Meets HACCP requirements
- Manual drop-in-place safety bar
- Four stainless steel, hermetically sealed, IP69K shear beam load cells
- 20 ft of SURVIVOR® EL147HE hostile environment load cell cable
- Remote junction box can be mounted up to 10 ft away from the scale
- 3/16 in thick smooth top plate
- 4 adjustable stainless steel SUREFOOT™ support feet

## Specifications

### End Load Capacity:

- 100% full scale at 2,000 lb and 5,000 lb
- 80% full scale at 10,000 lb

### Cable Length:

- 20 ft (6.1 m) for connecting junction box to indicator

### Scale Weldment:

- AISI304L, glass bead blasted for even appearance

### Junction Box:

- TuffSeal® JB4SS stainless steel, NEMA Type 4X junction box with signal trim card

### Welding:

- Stitch, consult if continuous is required

### Threaded Eyebolt Hole:

- 1/2-20 NF located in center of deck for easy lifting

### Warranty (limited):

- Weldment: Five years
- Load cells: Two years
- All other components: One year

### Approvals:

- NTEP 92-001, Class III 5,000 d
- Load cell is NTEP
- Load cell is cFMus Approved

# RoughDeck® QC

Access Ramps and Pit Frames

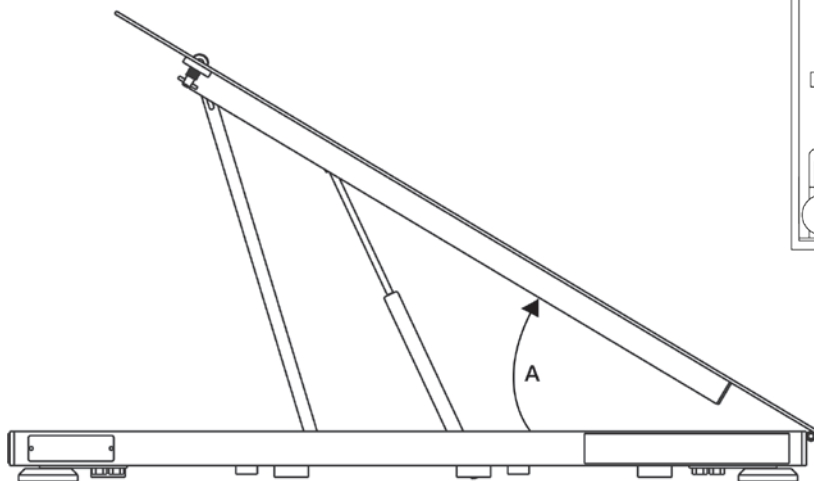
## Part Number/Price

Part #	Size (W × L × H)	Ramp Angle of Incline	Est. Weight	Price
<b>Access Ramps (Diamond Treadplate Standard) (W × L × H)</b>				
69193	2.5 ft × 4.0 ft × 3.5 in (works with PN 50402)	4.0°	152 lb	\$1,770.00
69194	3.0 ft × 4.0 ft × 3.5 in (works with PN 50403)	4.0°	177 lb	\$1,770.00
69195	4.0 ft × 4.0 ft × 3.5 in (works with PN 50404, 50405 and 50407)	4.0°	224 lb	\$2,460.00
69217	4.0 ft × 4.0 ft × 4.5 in (works with PN 50406, 50408, 50410 and 50411)	5.2°	234 lb	\$2,485.00
69218	4.0 ft × 4.0 ft × 4.5 in (works with PN 50409)	5.2°	234 lb	\$2,485.00
69222	4.0 ft × 5.0 ft × 5.5 in (works with PN 50412)	5.1°	330 lb	\$3,210.00
69219	5.0 ft × 4.0 ft × 4.5 in (works with PN 50413 and 50414)	5.2°	272 lb	\$3,025.00
69220	5.0 ft × 4.0 ft × 4.5 in (works with PN 50415)	5.2°	272 lb	\$3,025.00
69223	5.0 ft × 5.0 ft × 5.5 in (works with PN 50416, 50417 and 50418)	5.1°	380 lb	\$3,965.00
<b>Pit Frames (W × L × H)</b>				
64768	2.5 ft × 2.5 ft × 4 in (works with PN 50402)	-	89 lb	\$1,375.00
64769	3.0 ft × 3.0 ft × 4 in (works with PN 50403)	-	102 lb	\$1,375.00
64770	4.0 ft × 4.0 ft × 4 in (works with PN 50404 and 50405)	-	127 lb	\$1,775.00
64771	4.0 ft × 4.0 ft × 5 in (works with PN 50406)	-	158 lb	\$2,040.00
64772	4.0 ft × 5.0 ft × 4 in (works with PN 50407)	-	140 lb	\$2,040.00
64773	4.0 ft × 5.0 ft × 5 in (works with PN 50408)	-	175 lb	\$2,270.00
64774	4.0 ft × 5.0 ft × 5 in (works with PN 50409)	-	175 lb	\$2,270.00
64775	4.0 ft × 6.0 ft × 5 in (works with PN 50410 and 50411)	-	191 lb	\$2,485.00
64776	4.0 ft × 6.0 ft × 6 in (works with PN 50412)	-	225 lb	\$2,615.00
64777	5.0 ft × 5.0 ft × 5 in (works with PN 50413 and 50414)	-	191 lb	\$2,485.00
64778	5.0 ft × 5.0 ft × 5 in (works with PN 50415)	-	191 lb	\$2,485.00
64779	5.0 ft × 7.0 ft × 6 in (works with PN 50416, 50417 and 50418)	-	270 lb	\$2,930.00

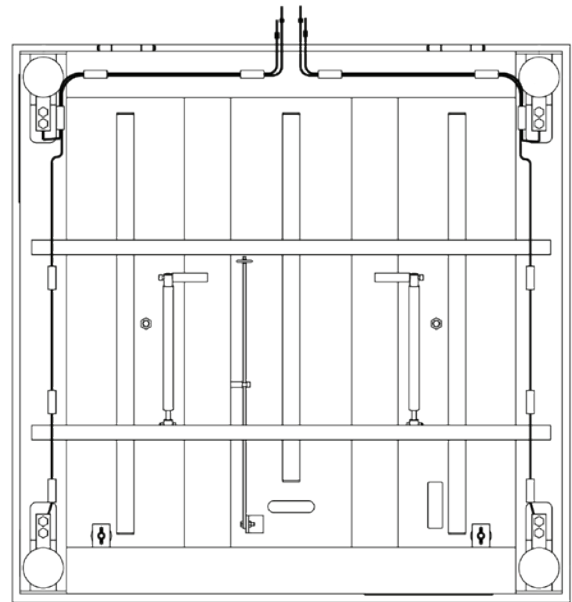
Part numbered ramps are designed to fit scale sides A or C; if you need a ramp to fit scale side B or D, please request a quote for a special ramp

## Dimensions

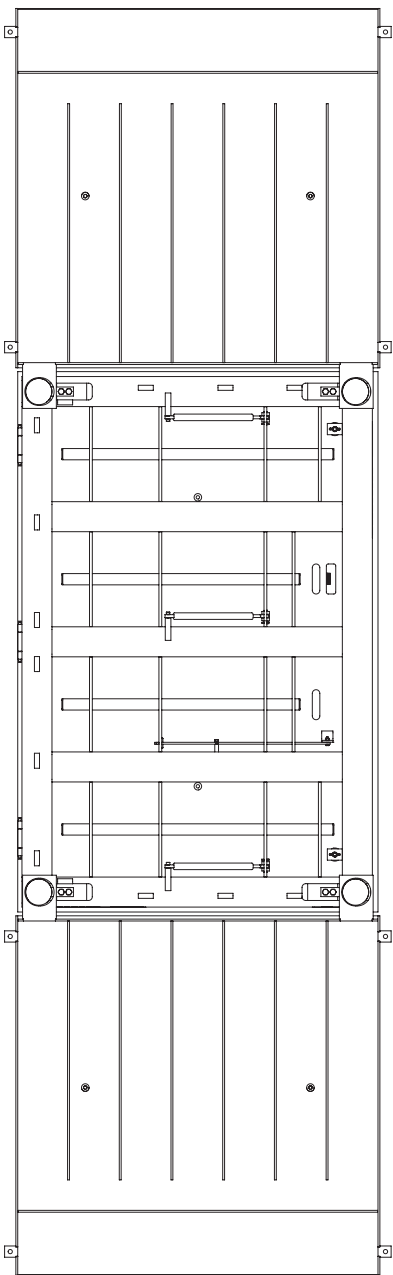
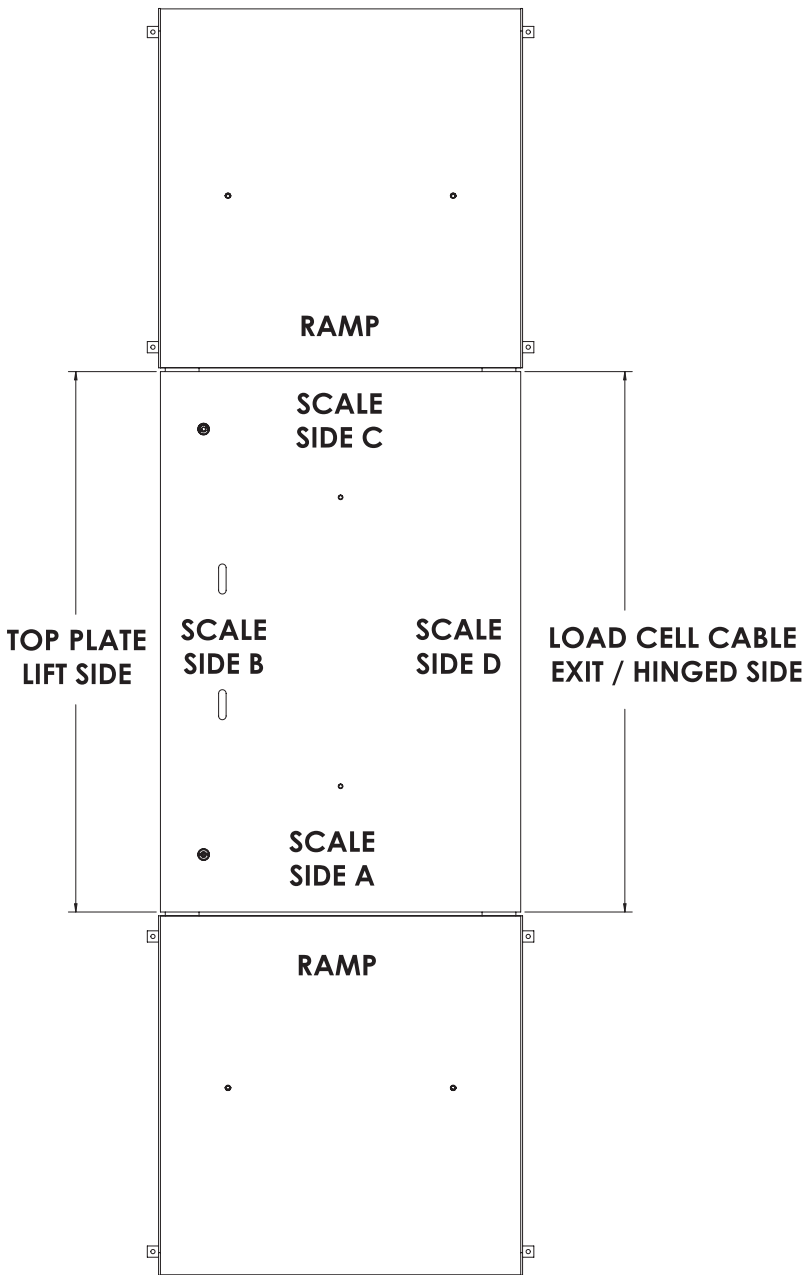
Scale Size	A
2.5 × 2.5 ft	37°
3 × 3 ft	30°
4 × 4 ft	30°
4 × 5 ft	30°
4 × 6 ft	26°
5 × 5 ft	25°
5 × 7 ft	24°



(Upright position)



Underdeck View

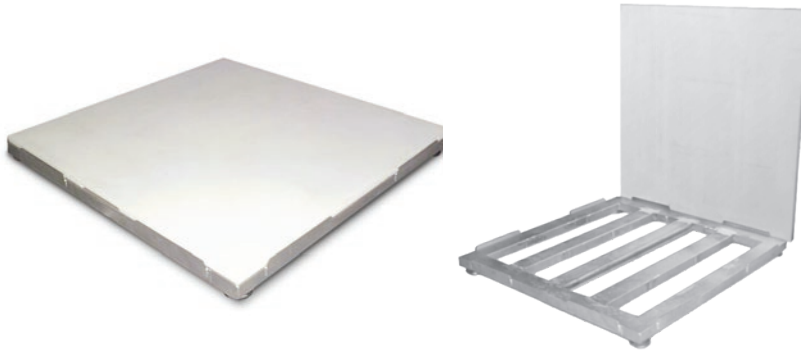


FLOOR SCALES

# RoughDeck® SD

Sanitary Deck Floor Scale

FLOOR SCALES



## Approvals



*Important NOTE: Applications where oily substances may be spilled could cause the deck to become slippery—caution should be used.*

## Part Number/Price

Part #	Size (W × L × H)	Capacity	Est. Weight	Price
50385	2.5 ft × 2.5 ft × 4.4 in	2,000 lb	158 lb	\$4,865.00
50386	3 ft × 3 ft × 4.4 in	2,000 lb	208 lb	\$5,000.00
50387	4 ft × 4 ft × 4.4 in	2,000 lb	338 lb	\$5,245.00
50388	4 ft × 4 ft × 4.4 in	5,000 lb	338 lb	\$5,245.00
50389	4 ft × 4 ft × 5.4 in	10,000 lb	447 lb	\$5,510.00
50390	4 ft × 5 ft × 4.4 in	2,000 lb	406 lb	\$5,760.00
50391	4 ft × 5 ft × 5.4 in	5,000 lb	406 lb	\$5,760.00
50392	4 ft × 5 ft × 5.4 in	10,000 lb	540 lb	\$6,015.00
50393	4 ft × 6 ft × 5.4 in	2,000 lb	477 lb	\$6,280.00
50394	4 ft × 6 ft × 5.4 in	5,000 lb	477 lb	\$6,280.00
50395	4 ft × 6 ft × 6.4 in	10,000 lb	637 lb	\$6,910.00
50396*	5 ft × 5 ft × 5.4 in	2,000 lb	478 lb	\$6,280.00
50397*	5 ft × 5 ft × 5.4 in	5,000 lb	478 lb	\$6,280.00
50398*	5 ft × 5 ft × 5.4 in	10,000 lb	637 lb	\$6,910.00
50399*	5 ft × 7 ft × 6.4 in	2,000 lb	705 lb	\$8,695.00
50400*	5 ft × 7 ft × 6.4 in	5,000 lb	705 lb	\$8,695.00
50401*	5 ft × 7 ft × 6.4 in	10,000 lb	908 lb	\$9,840.00

\* Constructed of two pieces of polyethylene to make up the top deck.

## Options/Accessories

Part #	Description	Price
28740	Floor stand for indicator, 36.3 in high, stainless steel	\$340.00
18778	Floor anchor plates, stainless steel (set of 2)	\$55.00

Consult factory for these additional options:

- Access ramps
- Pit frames



Bracket to hold polyethylene top deck when cleaning under scale

## Standard Features

- Rugged washdown design
- 304 stainless steel construction
- Rigid stainless steel tube frame
- Four stainless steel, hermetically sealed, IP69K shear beam load cells
- Load cells protected on all four sides
- 20 ft (6 m) of SURVIVOR® EL147HE hostile environment load cell cable
- Remote junction box can be located up to 10 ft away from scale
- Four adjustable stainless steel SUREFOOT™ support feet
- Removable polyethylene deck (deck weight: 80 lb (36.6 kg) on 4 × 4 ft size)
- Side brackets to hold deck during washdown

## Specifications

### End Load Capacity:

100% full scale at 2,000 lb and 5,000 lb  
80% full scale at 10,000 lb

### Cable Length:

20 ft (6.1 m) for connecting junction box to indicator

### Scale Weldment:

AISI304L, glass bead blasted for even appearance

### Junction Box:

TuffSeal® JB4SS stainless steel, NEMA Type 4X junction box with signal trim card

### Welding:

Continuous

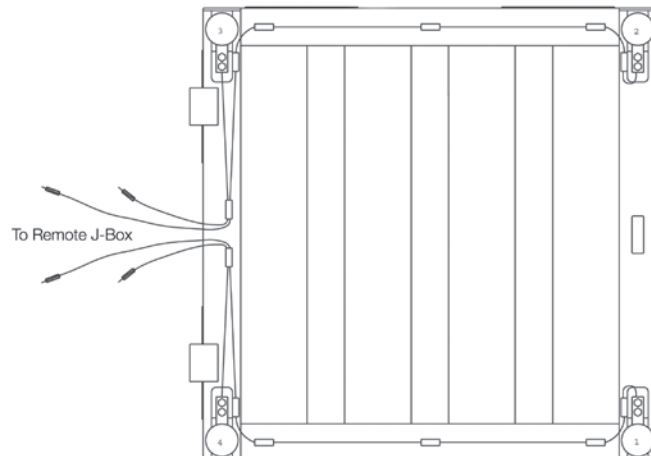
### Warranty (limited):

Weldment: Five years  
Load cells: Two years  
All other components: One year

### Approvals:

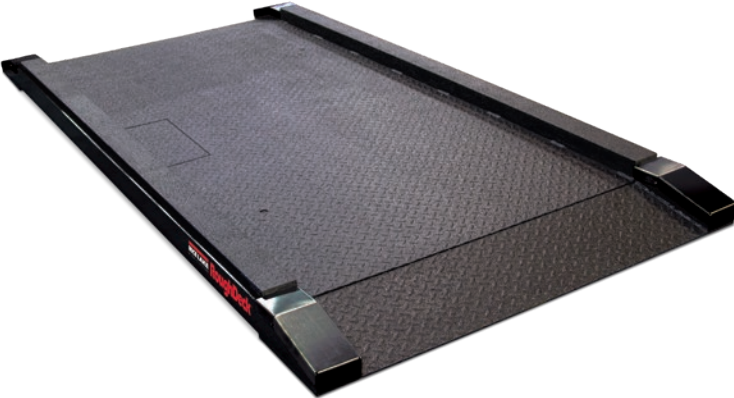
NTEP 92-001, Class III 5,000 d

Underdeck View



# RoughDeck® LP

Low-profile Floor Scale



### Standard Features

- Painted mild steel
- Diamond tread scale top plate and ramps
- Live side rails
- Self-centering ball and load receiver plate load introduction
- Top-access junction box
- Four alloy steel, environmentally sealed, single-ended load cells

### Specifications

- End Load Capacity:**  
100% full scale at 2,000 lb
- Cable Length:**  
20 ft (6.1 m) for connecting junction box to indicator
- Junction Box:**  
EL204 signal trim
- Welding:**  
Stitch, consult factory if continuous is required
- Threaded Eyebolt:**  
Two holes (1/2-20 NF)
- Weighing Surface Dimensions:**  
(L × W × H)  
72.00 × 36.00 × 1.81 in
- Warranty:**  
Two-year limited

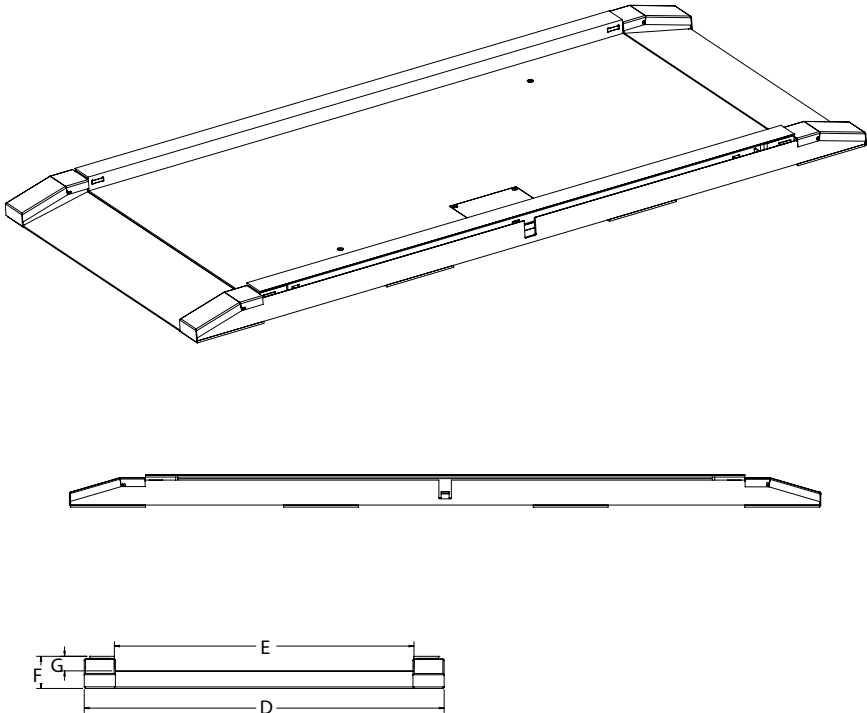
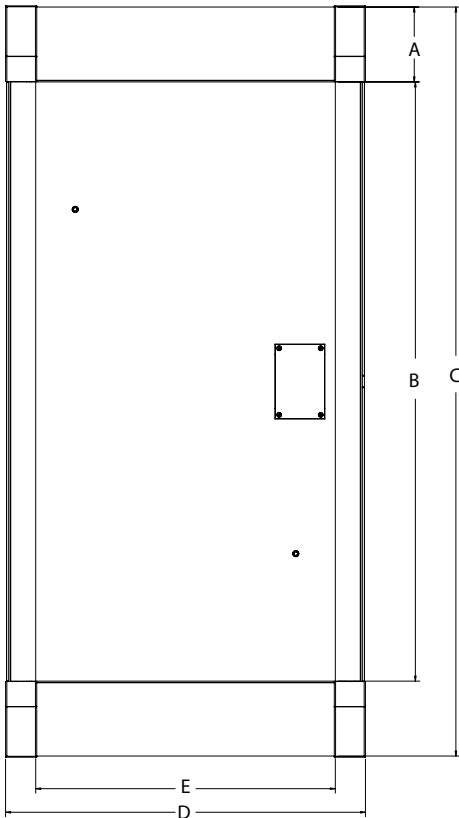
### Part Number/Price

Part #	Size (W × L) Not including Side Rails	Capacity	Ramp Angle of Incline	Est. Weight	Price
204615	36 × 72 in	2,000 × 0.5 lb	12°	565 lb	\$4,615.00

### Dimensions

RoughDeck LP			
A	9.00 in	E	36.00 in
B	72.00 in	F	3.90 in
C	90.25 in	G	1.75 in
D	43.25 in		

Note: 1 in=25.4 mm



FLOOR SCALES

# RoughDeck® PW-1 Mild Steel

Low-profile Pallet Weighing Floor Scale



## Approvals



## Part Number/Price

Part #	Size (W × L × H)	Capacity	Est. Weight	Price
177904	48 × 48 × 3 in	2,500 lb	200 lb	\$1,925.00
177905	48 × 60 × 3 in	2,500 lb	210 lb	\$2,095.00
177906	60 × 60 × 3 in	2,500 lb	235 lb	\$2,335.00
177907	48 × 48 × 3 in	5,000 lb	200 lb	\$1,925.00
177908	48 × 60 × 3 in	5,000 lb	210 lb	\$2,095.00
177909	60 × 60 × 3 in	5,000 lb	235 lb	\$2,335.00

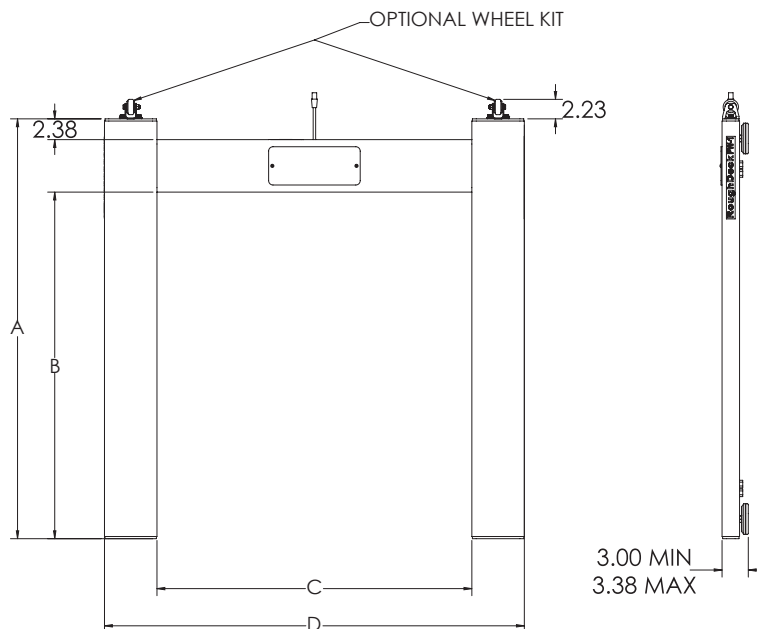
## Options/Accessories

Part #	Description	Price
18777	Floor anchor plates, mild steel (set of 2)	\$40.00
19352	Floor stand for indicator, 36.3 in high, mild steel	\$250.00
126384	Floor stand for indicator, 48 in high, mild steel	\$275.00
178250	Wheel kit option (wheels engage at a 28° angle)	\$115.00
Consult	Mild steel deck with RL32018S IP66 stainless steel cFMus approved load cells and hardware	+\$128.00 list price add-on
Consult	Mild steel deck with RL32218S-HE hermetically sealed IP69K stainless steel cFMus approved load cells and hardware	+\$468.00 list price add-on
Consult	Epoxy paint	+\$150.00 list price add-on

## Dimensions

PW-1 Mild Steel	
<b>4 × 4 ft (160 lb)</b>	
A	48.00 in
B	39.63 in
C	36.00 in
D	48.00 in
<b>4 × 5 ft (170 lb)</b>	
A	48.00 in
B	39.63 in
C	48.00 in
D	60.00 in
<b>5 × 5 ft (195 lb)</b>	
A	60.00 in
B	51.63 in
C	48.00 in
D	60.00 in

Note: 1 in=25.4 mm



## Standard Features

- Low-profile design
- 20 ft SURVIVOR® EL147HE hostile environment load cell cable
- Top-access junction box
- Four adjustable stainless steel SUREFOOT™ support feet
- Four alloy steel, shear beam load cells

## Specifications

### End Load Capacity:

- 80% full scale at 2,500 lb
- 100% full scale at 5,000 lb

### Cable Length:

- 20 ft (6.1 m) for connecting junction box to indicator

### Junction Box:

- TuffSeal® JB4SS stainless steel, NEMA Type 4X junction box with signal trim card

### Welding:

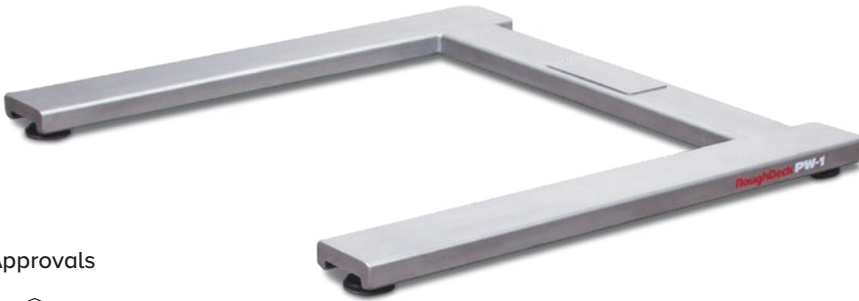
- Stitch, consult factory if continuous is required

### Warranty (limited):

- Load cells: Two years
- All other components: One year

# RoughDeck® PW-1 Stainless Steel

Low-profile Pallet Weighing Floor Scale



## Approvals



## Part Number/Price

Part #	Size (W × L × H)	Capacity	Est. Weight	Price
177910	48 × 48 × 3 in	2,500 lb	200 lb	\$4,055.00
177911	48 × 60 × 3 in	2,500 lb	210 lb	\$4,285.00
177912	60 × 60 × 3 in	2,500 lb	235 lb	\$4,515.00
177913	48 × 48 × 3 in	5,000 lb	200 lb	\$4,055.00
177914	48 × 60 × 3 in	5,000 lb	210 lb	\$4,285.00
177915	60 × 60 × 3 in	5,000 lb	235 lb	\$4,515.00

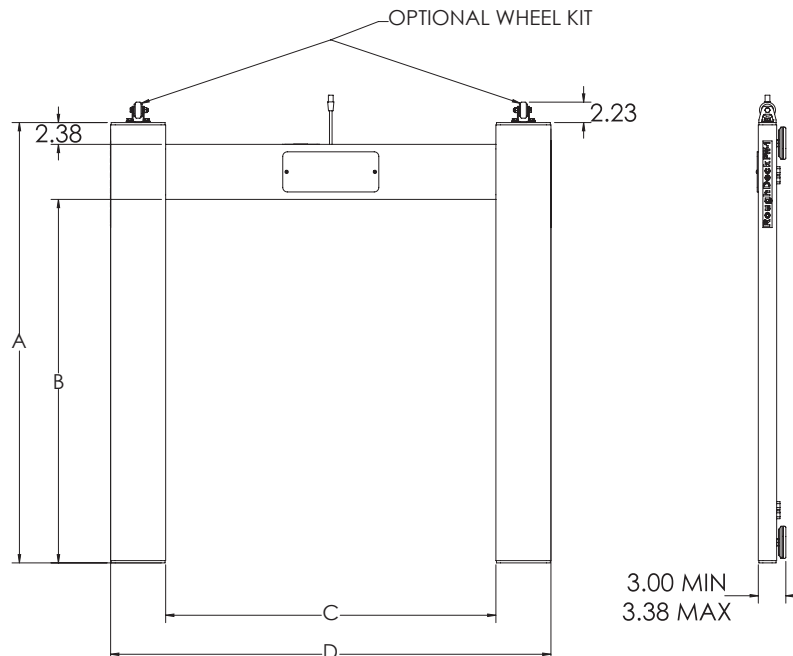
## Options/Accessories

Part #	Description	Price
18778	Floor anchor plates, stainless steel (set of 2)	\$55.00
28740	Floor stand for indicator, 36.3 in high, stainless steel	\$340.00
178250	Wheel kit option (wheels engage at a 28° angle)	\$115.00
Consult	Stainless steel deck with RL32218S-HE hermetically sealed IP69K stainless steel cMus approved load cells and hardware	+\$340.00 list price add-on

## Dimensions

PW-1 Stainless Steel	
<b>4 × 4 ft (160 lb)</b>	
A	48.00 in
B	39.63 in
C	36.00 in
D	48.00 in
<b>4 × 5 ft (170 lb)</b>	
A	48.00 in
B	39.63 in
C	48.00 in
D	60.00 in
<b>5 × 5 ft (195 lb)</b>	
A	60.00 in
B	51.63 in
C	48.00 in
D	60.00 in

Note: 1 in=25.4 mm



## Standard Features

- Low-profile design
- 20 ft SURVIVOR® EL147HE hostile environment load cell cable
- Top-access junction box
- Four adjustable, stainless steel SUREFOOT™ support feet
- Four stainless steel, IP66 shear beam load cells

## Specifications

### End Load Capacity:

- 80% full scale at 2,500 lb
- 100% full scale at 5,000 lb

### Cable Length:

- 20 ft (6.1 m) for connecting junction box to indicator

### Scale Weldment:

- AISI304L, glass bead blasted for even appearance

### Junction Box:

- TuffSeal® JB4SS stainless steel, NEMA Type 4X junction box with signal trim card

### Welding:

- Stitch, consult factory if continuous is required

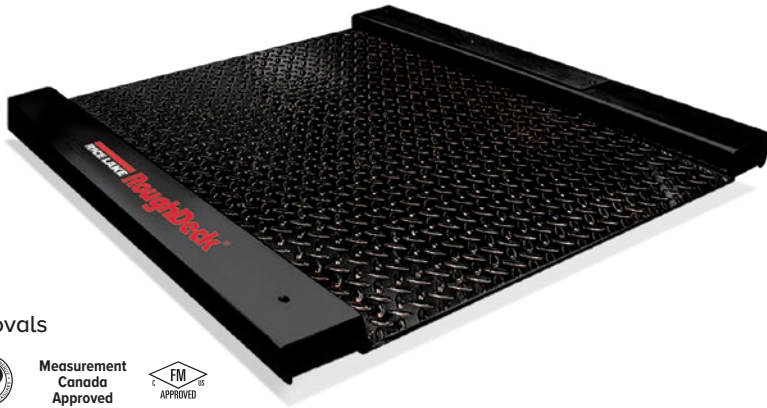
### Warranty (limited):

- Load cells: Two years
- All other components: One year

FLOOR SCALES

# RoughDeck® BDP Mild Steel

Barrel, Drum, Pallet Scale – Stationary Model



## Approvals



Measurement  
Canada  
Approved



## Part Number/Price

Part #	Size (W × L) Not Including Side Rails	Capacity (Canadian Approved Capacities)	Est. Weight	Price
77962	30 × 31 in	1,000 lb (500 kg)	205 lb	\$2,245.00
77963	30 × 31 in	2,500 lb (1,000 kg)	205 lb	\$2,245.00
77964	36 × 37 in	1,000 lb (500 kg)	265 lb	\$2,400.00
77965	36 × 37 in	2,500 lb (1,000 kg)	265 lb	\$2,400.00
Part #	Size (W × L)	Ramp Angle of Incline	Est. Weight	Price
Access Ramps				
78011	30 × 12 in (sold individually)	7.2°	25 lb	\$295.00
78012	36 × 12 in (sold individually)	7.2°	30 lb	\$295.00

## Options/Accessories

Part #	Description	Price
18777	Floor anchor plates, mild steel, set of 2 (for use with static scale, without ramps)	\$40.00
19352	Floor stand for indicator, 36.3 in high, mild steel (for use with static scale)	\$250.00
126384	Floor stand for indicator, 48 in high, mild steel	\$275.00
Consult	Mild steel deck with RL32018S IP66 stainless steel (cFMus approved) load cells and hardware	+\$128.00 list price add-on
Consult	Mild steel deck with RL32218S-HE hermetically sealed IP69K stainless steel cFMus approved load cells and hardware	+\$468.00 list price add-on
214612	Back stop and mounting hardware for 30 in wide scale	\$195.00
214613	Back stop and mounting hardware for 36 in wide scale	\$195.00

## Standard Features

- Live side rails
- Top-access foot adjustment holes
- Four adjustable stainless steel SUREFOOT™ support feet
- Diamond tread top plate
- Alloy steel load cells

## Specifications

### End Load Capacity:

1,000 lb: 100% full scale  
2,500 lb: 80% full scale

### Cable Length:

10 ft (3 m)

### Junction Box:

TuffSeal® JB4SS stainless steel, NEMA Type 4X junction box with signal trim card

### Welding:

Stitch

### Threaded Eyebolt:

Hole (1/2-13 NC) located in center of deck for easy lifting

### Warranty (limited):

Weldment: Five years  
Load cells: Two years  
All other components: One year

### Approvals:

NTEP 03-060, Class III 2,500 d  
Measurement Canada AM-5578  
(500 kg) Class III 2,500 d  
(1,000 kg) Class III 2,000 d



Shown with optional backstop

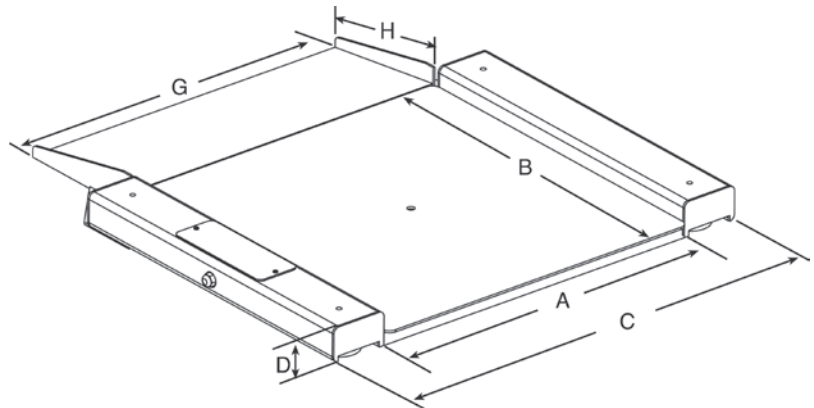
## Dimensions

RoughDeck BDP mild steel with access ramp			
30 × 31 in models			
A	30.0 in	D	3.31 in
B	31.0 in	G	30.0 in
C	40.0 in	H	12.0 in
36 × 37 in models			
A	36.0 in	D	3.31 in
B	37.0 in	G	36.0 in
C	46.0 in	H	12.0 in

Distance from floor to top of center weighing surface: 1.625 in

Distance from floor to bottom of weighing surface: 0.31 in

Note: 1 in=25.4 mm

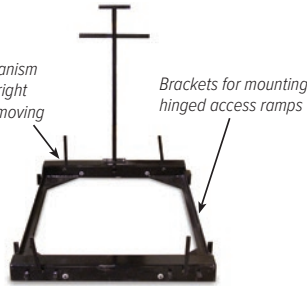


# RoughDeck® BDP Mild Steel

Barrel, Drum, Pallet Scale – Portable Model



Lifting mechanism shown in upright position for moving



Brackets for mounting hinged access ramps

Portability kit

## Approvals



Measurement Canada Approved



## Part Number/Price

Part #	Size (W × LW) Not Including Side Rails	Capacity (Canadian Approved Capacities)	Est. Weight	Price
77962	30 × 31 in	1,000 lb (500 kg)	205 lb	\$2,245.00
77963	30 × 31 in	2,500 lb (1,000 kg)	205 lb	\$2,245.00
77964	36 × 37 in	1,000 lb (500 kg)	265 lb	\$2,400.00
77965	37 × 37 in	2,500 lb (1,000 kg)	265 lb	\$2,400.00

### Portability Kits

Kits Include: Frame, two swivel and two fixed zinc plated steel NSF approved wheels (75 lb max. load capacity), indicator stand

78021	For use with 30 × 31 in scale	90 lb	\$1,170.00
78022	For use with 36 × 37 in scale	100 lb	\$1,250.00

### RoughDeck BDP Portability Kit with conductive wheels for use with 882IS

199102	30 × 31 in	25 lb	\$1,695.00
199103	36 × 37 in	30 lb	\$1,775.00

Part #	Size (W × L)	Ramp Angle of Incline	Es. Weight	Price
<b>Hinged Access Ramps: For use with portability kit</b>				
78015	29.25 × 12 in (sold individually)	8.7°	25 lb	\$295.00
78016	35.25 × 12 in (sold individually)	8.7°	30 lb	\$295.00

## Options/Accessories

Part #	Description	Price
Consult	Mild steel deck with RL32018S IP66 stainless steel cFMus approved load cells and hardware	+\$128.00 list price add-on
Consult	Mild steel deck with RL32218S-HE hermetically sealed IP69K stainless steel cFMus approved load cells and hardware	+\$468.00 list price add-on
214612	Back stop and mounting hardware for 30 in wide scale	\$195.00
214613	Back stop and mounting hardware for 36 in wide scale	\$195.00

## Standard Features

- Live side rails
- Top-access foot adjustment holes
- Holes are 1/2-13 threaded for lifting scale
- Four adjustable stainless steel SUREFOOT™ support feet
- Treaded top plate
- Alloy steel load cells

## Specifications

### End Load Capacity:

- 1,000 lb: 100% full scale
- 2,500 lb: 80% full scale

### Cable Length:

10 ft (3 m)

### Junction Box:

TuffSeal® JB4SS stainless steel, NEMA Type 4X junction box with signal trim card

### Welding:

Stitch

### Threaded Eyebolt:

Hole (1/2-13 NC) located in center of deck for easy lifting

### Warranty (limited):

Weldment: Five years  
Load cells: Two years  
All other components: One year

### Approvals:

NTEP 03-060, Class III 2,500 d  
Measurement Canada AM-5578 (500 kg) Class III 2,500 d (1,000 kg) Class III 2,000 d

## Dimensions

### RoughDeck BDP mild steel with portability frame and hinged access ramps

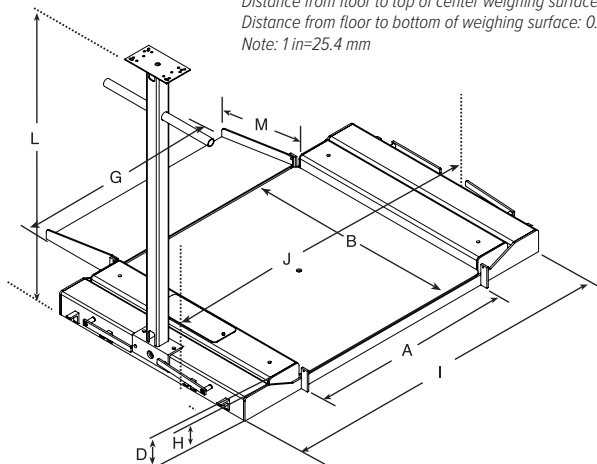
#### 30 × 31 in models

A	30.00 in	I	49.25 in
B	31.00 in	J	52.25 in
D	3.66 in	L	40.37 in
G	29.25 in	M	12.00 in
H	3.25 in		

#### 36 × 37 in models

A	36.00 in	I	55.25 in
B	37.00 in	J	58.25 in
D	3.66 in	L	40.37 in
G	35.25 in	M	12.00 in
H	3.25 in		

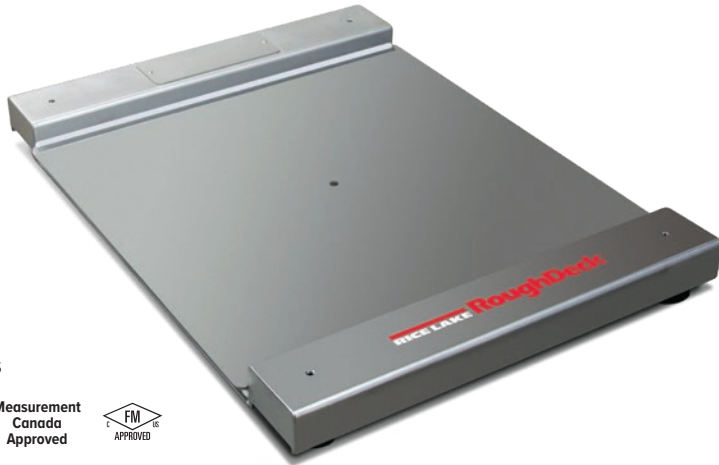
Distance from floor to top of center weighing surface: 1.94 in  
Distance from floor to bottom of weighing surface: 0.62 in  
Note: 1 in=25.4 mm



# RoughDeck® BDP Stainless Steel

Barrel, Drum, Pallet Scale - Stationary Model

FLOOR SCALES



## Approvals



Measurement  
Canada  
Approved



## Part Number/Price

Part #	Size (W × LW)	Capacity (Canadian Approved Capacities)	Est. Weight	Price
77967	30 × 31 in	1,000 lb (500 kg)	205 lb	\$4,315.00
77968	30 × 31 in	2,500 lb (1,000 kg)	205 lb	\$4,315.00
77969	36 × 37 in	1,000 lb (500 kg)	265 lb	\$4,445.00
77970	36 × 37 in	2,500 lb (1,000 kg)	265 lb	\$4,445.00
Part #	Size (W × LW)	Ramp Angle of Incline	Est. Weight	Price
Access Ramps				
78013	30 × 12 in (sold individually)	7.2°	25 lb	\$370.00
78014	36 × 12 in (sold individually)	7.2°	30 lb	\$370.00

## Options/Accessories

Part #	Description	Price
18778	Floor anchor plates, stainless steel, set of 2 (for use with static scale, without ramps)	\$55.00
28740	Floor stand for indicator, 36.3 in high, stainless steel (for use with static scale)	\$340.00
Consult	Stainless steel deck with RL32218S-HE hermetically sealed IP69K stainless steel (cFMus approved) load cells and hardware	+\$340.00 list price add-on
Consult	Stainless steel diamond treadplate safety deck	Consult
214614	Back stop and mounting hardware for 30 in wide scale	\$295.00
214615	Back stop and mounting hardware for 36 in wide scale	\$295.00

## Standard Features

- Live side rails
- Top-access foot adjustment holes
- Four adjustable stainless steel SUREFOOT™ support feet
- Smooth top plate
- Stainless steel, IP66 load cells

## Specifications

### End Load Capacity:

- 1,000 lb: 100% full scale
- 2,500 lb: 80% full scale

### Cable Length:

10 ft (3 m)

### Scale Weldment:

AISI304L, glass bead blasted for even appearance

### Junction Box:

TuffSeal® JB4SS stainless steel, NEMA Type 4X junction box with signal trim card

### Welding:

Stitch, consult factory if continuous is required

### Threaded Eyebolt:

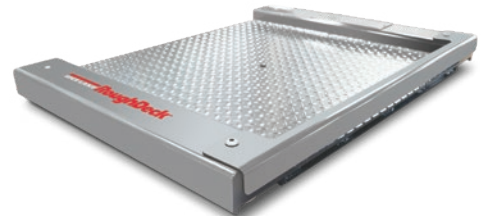
Holes are 1/2-13 threaded for lifting scale

### Warranty (limited):

Weldment: Five years  
Load cells: Two years  
All other components: One year

### Approvals:

NTEP CC 03-060, Class III 2,500 d  
Measurement Canada AM-5578  
(500 kg) Class III 2,500 d  
(1,000 kg) Class III 2,000 d



Shown with optional diamond treadplate and backstop

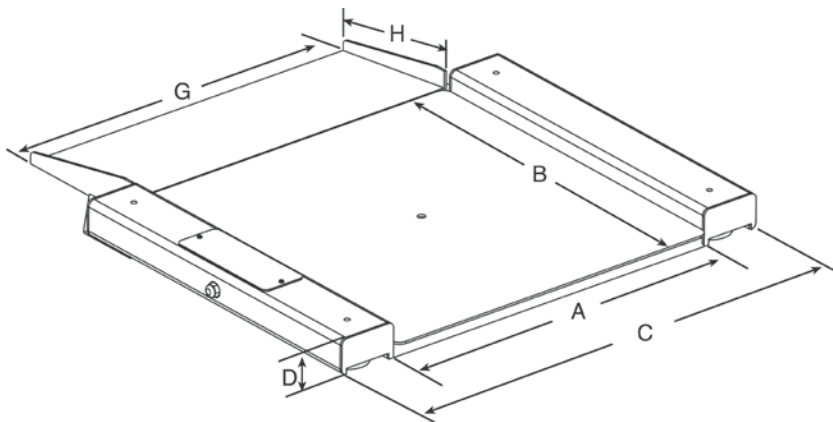
## Dimensions

RoughDeck BDP stainless steel with access ramp			
30 × 31 in models			
A	30.0 in	D	3.31 in
B	31.0 in	G	30.0 in
C	40.0 in	H	12.0 in
36 × 37 in models			
A	36.0 in	D	3.31 in
B	37.0 in	G	36.0 in
C	46.0 in	H	12.0 in

Distance from floor to top of center weighing surface: 1.625 in

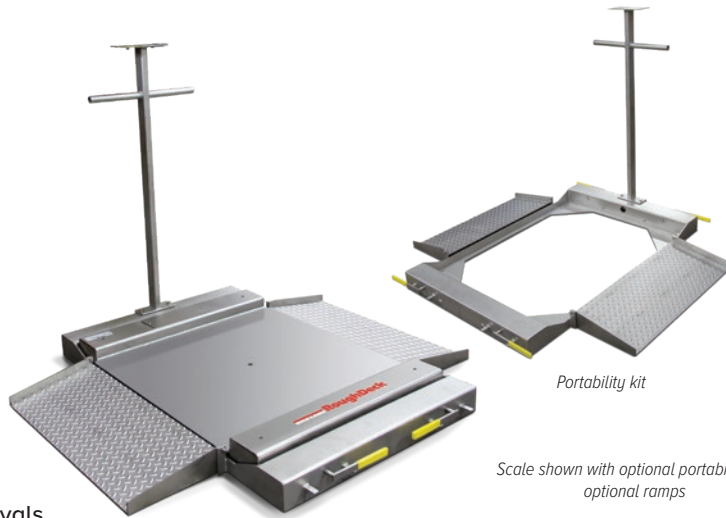
Distance from floor to bottom of weighing surface: 0.31 in

Note: 1 in=25.4 mm



# RoughDeck® BDP Stainless Steel

Barrel, Drum, Pallet Scale – Portable Model



## Approvals



Measurement  
Canada  
Approved



## Part Number/Price

Part #	Size (W × LW) Not Including Siderails	Capacity (Canadian Approved Capacities)	Est. Weight	Price
77967	30 × 31 in	1,000 lb (500 kg)	205 lb	\$4,315.00
77968	30 × 31 in	2,500 lb (1,000 kg)	205 lb	\$4,315.00
77969	36 × 37 in	1,000 lb (500 kg)	265 lb	\$4,445.00
77970	36 × 37 in	2,500 lb (1,000 kg)	265 lb	\$4,445.00

### Portability Kits

Kits Include: Frame, two swivel and two fixed zinc plated steel NSF approved wheels (75 lb max. load capacity), indicator stand

78023	For use with 30 × 31 in scale	90 lb	\$1,655.00
78024	For use with 36 × 37 in scale	100 lb	\$1,735.00

### RoughDeck BDP Portability Kit, with conductive wheels for use with 8821S

199100	30 × 31 in	25 lb	\$2,390.00
199101	36 × 37 in	30 lb	\$2,470.00

### Hinged access ramps: For use with portability kit (diamond plate)

Part #	Size (W × L)	Ramp Angle of Incline	Est. Weight	Price
78017	29.25 × 12 in (sold individually)	8.7°	25 lb	\$370.00
78018	35.25 × 12 in (sold individually)	8.7°	30 lb	\$370.00

## Options/Accessories

Part #	Description	Price
Consult	Stainless steel deck with RL32218S-HE hermetically sealed IP69K stainless steel (cFMus approved) load cells and hardware	+\$340.00 list price add-on
Consult	Stainless steel diamond treadplate safety deck	Consult
214614	Back stop and mounting hardware for 30 in wide scale	\$295.00
214615	Back stop and mounting hardware for 36 in wide scale	\$295.00

## Standard Features

- Live side rails
- Top-access foot adjustment holes
- Four adjustable stainless steel SUREFOOT™ support feet
- Smooth top plate
- IP66 stainless steel, welded-seal load cells

## Specifications

### End Load Capacity:

- 1,000 lb: 100% full scale
- 2,500 lb: 80% full scale

### Cable Length:

10 ft (3 m)

### Junction Box:

TuffSeal® JB4SS stainless steel, NEMA Type 4X junction box with signal trim card

### Welding:

Stitch, consult factory if continuous is required

### Threaded Eyebolt:

Holes are 1/2-13 threaded for lifting scale

### Warranty (limited):

Weldment: Three years  
Load cells: Two years  
All other components: One year

### Approvals:

NTEP CC 03-060, Class III 2,500 d  
Measurement Canada AM-5578  
(500 kg) Class III 2,500 d  
(1,000 kg) Class III 2,000 d

## Dimensions

### RoughDeck BDP stainless steel with portability frame and hinged access ramps

#### 30 × 31 in models

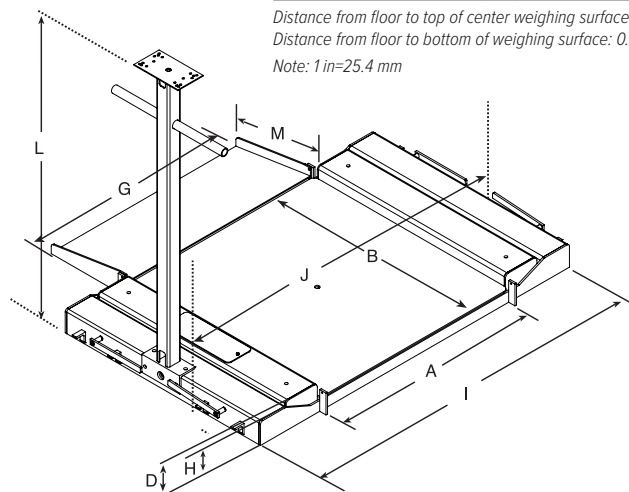
A	30.00 in	I	49.25 in
B	31.00 in	J	52.25 in
D	3.66 in	L	40.37 in
G	29.25 in	M	12.0 in
H	3.25 in		

#### 36 × 37 in models

A	36.00 in	I	55.25 in
B	37.00 in	J	58.25 in
D	3.66 in	L	40.37 in
G	35.25 in	M	12.00 in
H	3.25 in		

Distance from floor to top of center weighing surface: 1.94 in  
Distance from floor to bottom of weighing surface: 0.62 in

Note: 1 in=25.4 mm



# DeckHand™

Portable Floor Scale



## Approvals



Measurement  
Canada  
Approved

## Part Number/Price

Part #	Platform Size (W × L)	Overall Size (W × L × H)	Capacity	Est. Weight	Price
<b>Mild Steel</b>					
41293	24.25 × 30.375 in	31 × 41 × 4.5 in	500 lb	336 lb	\$3,495.00
41294	24.25 × 30.375 in	31 × 41 × 4.5 in	1,000 lb	356 lb	\$3,495.00
41295	24.25 × 30.375 in	31 × 41 × 4.5 in	2,000 lb	373 lb	\$3,625.00
<b>Mild Steel, with conductive wheel for use with 882IS</b>					
211285	24.25 × 30.375 in	31 × 41 × 4.5 in	500 lb	336 lb	\$4,095.00
211286	24.25 × 30.375 in	31 × 41 × 4.5 in	1,000 lb	356 lb	\$4,095.00
211287	24.25 × 30.375 in	31 × 41 × 4.5 in	2,000 lb	373 lb	\$4,225.00
<b>Stainless Steel</b>					
41296	24.25 × 30.375 in	31 × 41 × 4.5 in	500 lb	336 lb	\$4,635.00
41297	24.25 × 30.375 in	31 × 41 × 4.5 in	1,000 lb	356 lb	\$4,635.00
41298	24.25 × 30.375 in	31 × 41 × 4.5 in	2,000 lb	373 lb	\$4,875.00

## Options/Accessories

Part #	Description	Ramp Angle of Incline	Price
<b>Mild Steel</b>			
43376	500/1,000 lb mild steel ramp	9°	\$415.00
43378	2,000 lb mild steel ramp	9°	\$480.00
<b>Stainless Steel</b>			
43377	Ramp assembly, 500/1,000 lb, stainless steel, 27 × 25 in	7.2°	\$930.00
43379	Ramp assembly, 2,000 lb, stainless steel, 27 × 25 in	7.2°	\$1,055.00
Consult	Smooth top		N/C
<b>Mounting Brackets</b>			
41371	Mounting bracket for 882IS/882IS Plus with battery		\$99.00

## Standard Features

- Mild or stainless steel wheeled frame, base and mast
- Diamond tread top plate, mild or stainless steel
- Large rubber wheels (not rated for IS) simplify movement on uneven floors
- Two IP67 aluminum load cells
- Standard indicator mount with integral handles for the 380/380X Synergy, 880/880 Plus, 680 Synergy and 381 Synergy

## Specifications

### End Load Capacity:

100% end loading

### Cable length:

9 ft 10 in (3 m)

### mV/V Output:

2 mV/V

### Weighing Platter:

4.5 in height when in weigh mode

### Column Height:

59 in

### Warranty:

Weldment: Five years

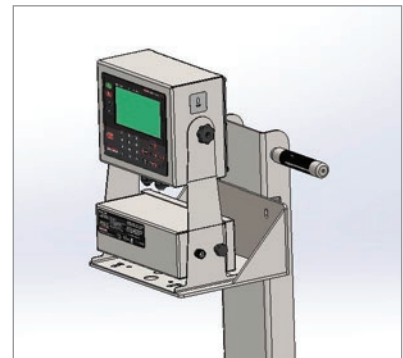
Load cells: Two years

All other components: One year

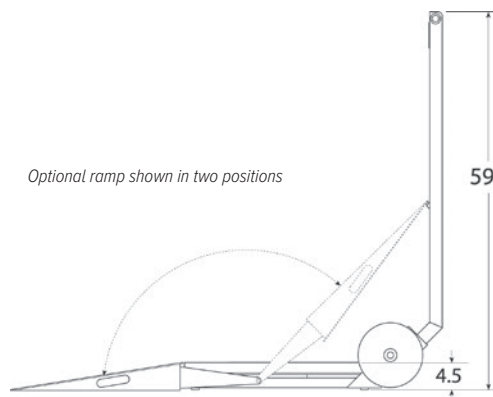
### Approvals:

NTEP Certified, 98-004, Class III, 2,500 d

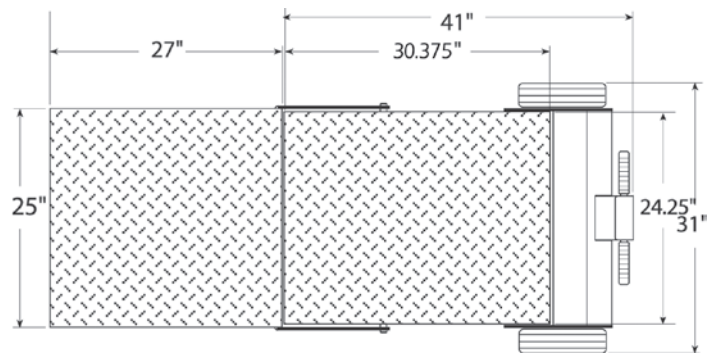
Measurement Canada, AM-5218



Mounting bracket for 882IS/882IS Plus with battery



Optional ramp shown in two positions



# RL1200

## Mechanical Portable Beam Scale



### Approvals



### Standard Features

- NTEP Certified
- Cast iron construction
- 1,000 lb capacity model available
- Locking screw knob on poise
- Slotted cast iron counterpoise weights, marked to scale capacity
- Heavy-duty wheels for portability (wheels are not rated for IS environment)
- Weights and hanger
- Nickel-plated steel beam with engraved brass insert

### Specifications

#### Construction:

Cast-iron platform, base and levers

#### Poise:

Steel locking screw provided

#### Platform Dimensions:

(L × W): 24 × 18 in

#### Capacity:

1,000 lb

#### Approvals:

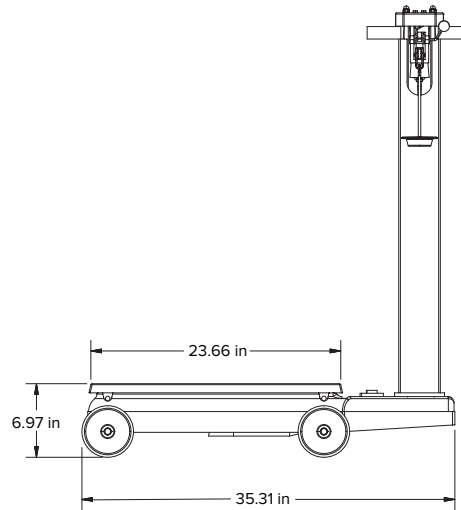
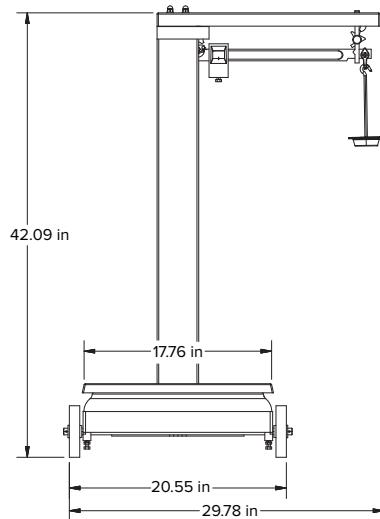
NTEP Certified 93-004 Class III 2,000 d

#### Warranty:

One-year limited

### Part Number/Price

Part #	Description	Capacity	Est. Weight	Price
157982	Avoirdupois beam, NTEP Certified	1,000 × 0.5 lb	200 lb	\$1,095.00



FLOOR SCALES

# RL1200 EM

Electromechanical Portable Beam Scale and 380 Indicator

FLOOR SCALES



### Approvals



Measurement  
Canada  
Approved

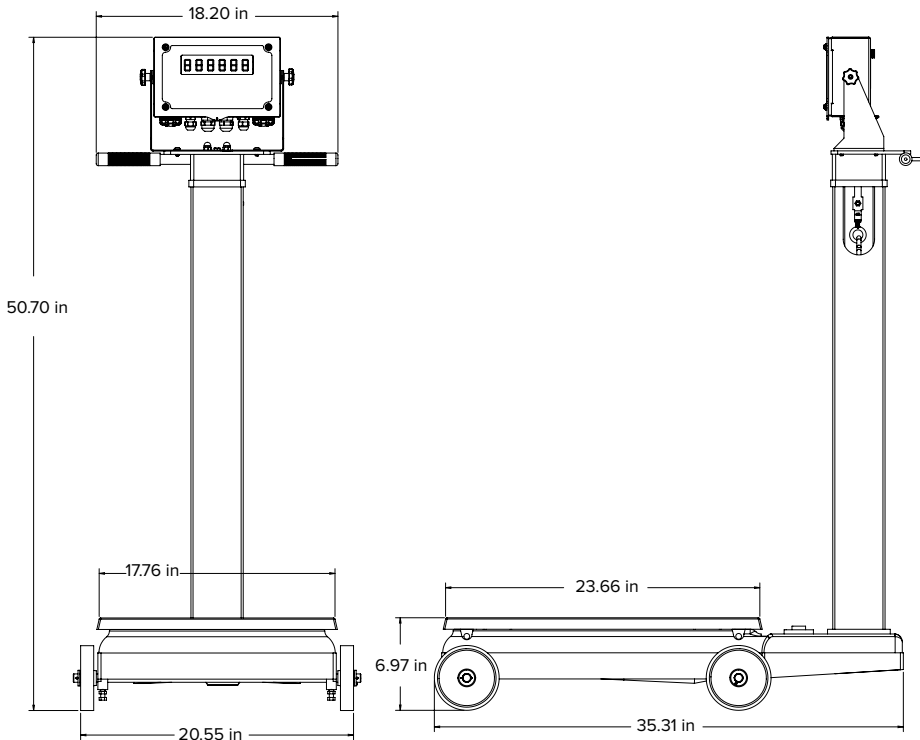


### Part Number/Price

Part #	Overall Size (W x L x H)	Capacity	Est. Weight	Price
216112	Portable beam with 380 Synergy	1,000 x 0.5 lb	200 lb	\$2,390.00

### Options/Accessories

Part #	Description	Price
206433†	380 indicator external AC adapter	\$60.00



### Standard Features

#### Scale

- NTEP Certified
- 1,000 lb capacity
- Heavy-duty wheels and handle for portability

#### 380 Indicator

- LCD display
- Alkaline battery powered
- Push-button and keyed tare
- Two communication ports
- Five tactile buttons
- Configurable print formats

### RL1200 EM Specifications

#### Construction:

Cast-iron platform, base and levers

#### Platform Dimensions:

(L x W) 24 x 18 in

#### Capacity:

1,000 lb

#### Approvals:

NTEP 93-004 Class III 2,000 d

#### Warranty:

One-year limited

### 380 Specifications

#### Power:

Batteries: 4 alkaline C-cell (not included)  
Optional: 115/230 VAC to 12 VDC adapter

#### Battery Life:

100 hours with 1 x 350 ohm load cell, no backlight  
45 hours with 4 x 350 ohm load cells, low backlight  
20 hours with 8 x 350 ohm load cells, low backlight

#### Communication Ports:

One RS-232 (three-wire)  
One USB 2.0

#### Annunciators:

g, lb, t, tn, kg, oz, battery level, PT, LT, gross, zero, unstable, net

#### Display:

Six 1 in (25 mm) tall, LCD digits

#### Keys/Buttons:

Five tactile buttons

#### Rating/Material:

IP66, 304 Stainless steel

#### Approvals:

NTEP 21-051, Class III/IIIL, 10,000 d  
Measurement Canada AM-6184  
cULus  
CE marked

# RL1200 IS

Intrinsically Safe Electromechanical Portable Beam Scale



## Approvals



## Standard Features

### Scale

- NTEP Certified
- 1,000 lb capacity
- Conductive wheels to eliminate static buildup and discharge
- Handle for ease of portability

### Indicator

- Intrinsically safe
- LCD display with white LED backlight
- Power on/off; battery save mode

## Specifications

### Construction:

Cast-iron platform, base and levers

### Platform Dimensions:

(L x W): 24 x 18 in

### Capacity:

1,000 lb

### Approvals:

NTEP 93-004 Class III 2,000d

### Warranty:

One-year limited

## 882IS Specifications

### Power:

Input: 5.8 to 7.9 VDC, 100 to 175 mA

### Battery (optional):

60 hours with 4 x 350 ohm load cells  
80 to 100 hours with  
1 x 350 ohm load cell  
8 to 10 hour charging time

### Annunciators:

Center of zero, gross, net, motion, lb, kg, oz, g

### Display Increments:

1, 2, 5

### Display:

Seven-digit, seven-segment LCD display  
121 x 24 dot matrix messaging area  
White LED backlight

### Keys/Buttons:

Flat membrane panel, tactile feel

**882IS:** zero, gross/net, tare, print, units conv, start, stop, on/off

**882IS Plus:** zero, gross/net, tare, print, units conv, start, stop, full numeric keypad, on/off

### Rating/Material:

IP66 enclosure  
Stainless steel

### Warranty:

One-year limited

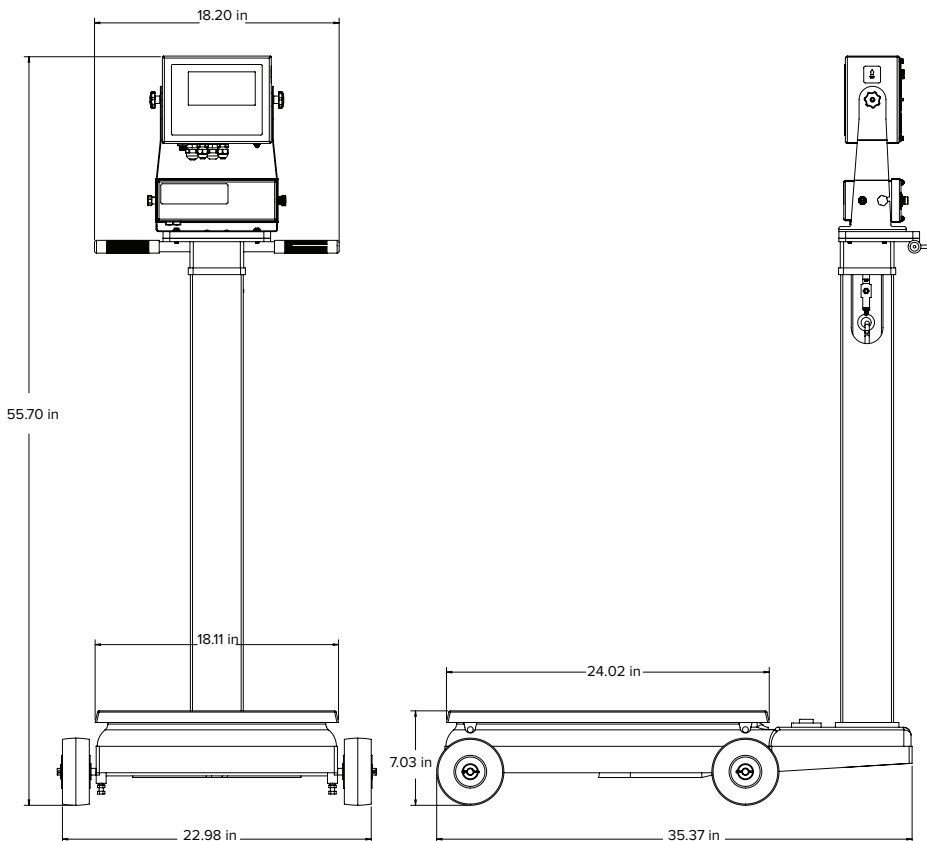
### Approvals:

cULus Listed\*  
FM Entity  
ATEX  
IECEX  
NTEP CC 19-015  
Measurement Canada AM-6124C  
OIML R76/2006-A-NL1-21.11  
EU Test Certificate T11166  
cULus\* Listed  
CE Marked

\*cULus is only applicable to 882IS I/O and battery charger

## Part Number/Price

Part #	Description	Capacity	Est. Weight	Price
195558	Portable beam scale with 882IS, battery pack and charger	1,000 x 0.5 lb	200 lb	\$4,745.00
195560	Portable beam scale with 882IS Plus, battery pack and charger	1,000 x 0.5 lb	200 lb	\$5,235.00

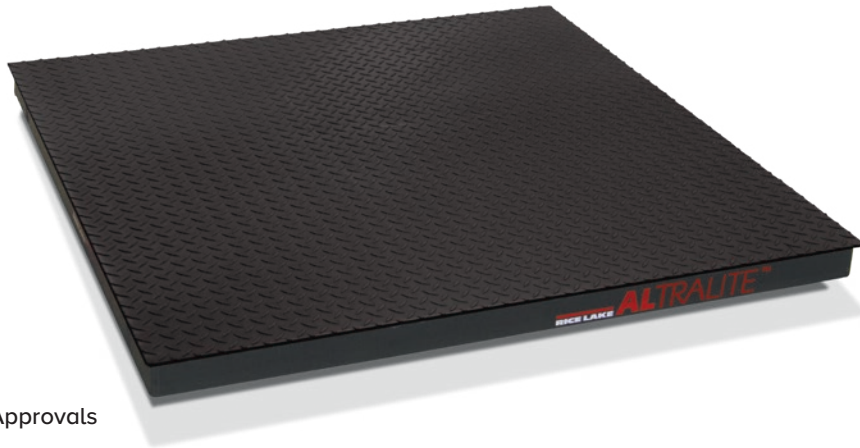


FLOOR SCALES

# Altralite™

Portable Low-profile Anodized Aluminum Floor Scale

FLOOR SCALES



Approvals



## Part Number/Price

Part #	Size (W × L × H)	Capacity	Est. Weight	Price
18677	4 ft × 4 ft × 3.5 in	5,000 lb	150 lb	\$4,395.00

## Options/Accessories

Part #	Description	Price
Consult	Four drilled deck holes for scale height adjustment	\$40.00
Consult	Top-access junction box	+\$100.00 list price add-on

## Standard Features

- Low-profile design
- Black anodized aluminum construction to improve durability, resistance to corrosion and scratching
- Diamond treadplate safety deck
- Four high-alloy tool steel shear beam load cells
- Side-access junction box
- 20 ft SURVIVOR® EL147HE hostile environment load cell cable
- Four adjustable stainless steel SUREFOOT™ support feet

## Specifications

### End Load Capacity:

100% full scale

### Cable Length:

20 ft (6.1 m) for connecting junction box to indicator

### Junction Box:

TuffSeal® JB4SS stainless steel, NEMA Type 4X junction box with signal trim card

### Welding:

Stitch, consult factory if continuous is required

### Warranty (limited):

Load cells: Two-years

All other components:

One-year limited



Approvals



Part Number/Price

Part #	Size (W × L × H)	Capacity	Est. Weight	Price
<b>Painted Steel</b>				
33134	18 × 24 × 6.5 in	500 lb (250 kg)	125 lb	\$4,825.00
33066	18 × 24 × 6.5 in	1,000 lb (500 kg)	125 lb	\$4,825.00
113566	18 × 30 × 6.5 in	500 lb (250 kg)	133 lb	\$4,825.00
33136	18 × 30 × 6.5 in	1,000 lb (500 kg)	133 lb	\$4,825.00
113567	18 × 30 × 6.5 in	1,500 lb (750 kg)	133 lb	\$4,825.00
33067	24 × 24 × 6.5 in	500 lb (250 kg)	151 lb	\$5,000.00
33068	24 × 24 × 6.5 in	1,000 lb (500 kg)	151 lb	\$5,000.00
33138	30 × 30 × 6.5 in	500 lb (250 kg)	191 lb	\$5,175.00
33069	30 × 30 × 6.5 in	1,000 lb (500 kg)	191 lb	\$5,175.00
33139	30 × 30 × 6.5 in	1,500 lb (750 kg)	191 lb	\$5,175.00
33070	30 × 30 × 8.25 in	2,000 lb (1,000 kg)	281 lb	\$5,350.00
33140	36 × 36 × 8.25 in	1,000 lb (500 kg)	234 lb	\$5,350.00
33071	36 × 36 × 8.25 in	2,000 lb (1,000 kg)	234 lb	\$5,350.00
33072	36 × 36 in × 8.25 in	5,000 lb (2,500 kg)	234 lb	\$5,350.00
33141	38 × 46 × 8.25 in	1,000 lb (500 kg)	610 lb	\$5,350.00
113569	38 × 46 × 8.25 in	2,000 lb (1,000 kg)	610 lb	\$5,350.00
113570	38 × 46 × 8.25 in	5,000 lb (2,500 kg)	610 lb	\$5,350.00
113572	48 × 48 × 8.25 in	1,000 lb (500 kg)	654 lb	\$6,100.00
33073	48 × 48 × 8.25 in	2,000 lb (1,000 kg)	654 lb	\$6,100.00
33074	48 × 48 × 8.25 in	5,000 lb (2,500 kg)	654 lb	\$6,100.00
33075	48 × 48 × 9.25 in	10,000 lb (5,000 kg)	735 lb	\$6,750.00
33078	48 × 60 × 9.25 in	10,000 lb (5,000 kg)	845 lb	\$7,800.00
33149	48 × 72 × 9.25 in	5,000 lb (2,500 kg)	1,120 lb	\$8,300.00
33080	48 × 72 × 9.25 in	10,000 lb (5,000 kg)	1,120 lb	\$8,300.00
33081	60 × 60 × 8.25 in	5,000 lb (2,500 kg)	967 lb	\$8,300.00
33082	60 × 60 × 9.25 in	10,000 lb (5,000 kg)	1,180 lb	\$8,300.00
33083	60 × 72 × 10.25 in	10,000 lb (5,000 kg)	-	\$8,895.00
<b>Stainless Steel</b>				
113581	24 × 24 × 6.5 in	500 lb (250 kg)	151 lb	\$6,035.00
113582	24 × 24 × 6.5 in	1,000 lb (500 kg)	151 lb	\$6,035.00
113586	30 × 30 × 8.25 in	2,000 lb (1,000 kg)	281 lb	\$9,165.00
113588	36 × 36 × 8.25 in	2,000 lb (1,000 kg)	450 lb	\$10,025.00
113595	48 × 48 × 8.25 in	5,000 lb (2,500 kg)	630 lb	\$13,350.00
113604	48 × 60 × 8.25 in	5,000 lb (2,500 kg)	-	\$17,660.00
113596	48 × 48 × 11.25 in	10,000 lb (5,000 kg)	735 lb	\$16,660.00
113613	60 × 72 × 11.25 in	10,000 lb (5,000 kg)	1,290 lb	\$24,000.00

Options/Accessories

Part #	Description	Price
Consult	FXB forklift skid, constructed with (2) 8 in wide painted steel channels attached to FXB scale frame per customer's specified center-to-center distance Note: For FXB-3846 through FXB-6084 scales only	\$1,125.00
Consult	FXB forklift skid with indicator column, constructed with (2) 8 in wide painted steel channels attached to FXB scale frame per customer's specified center-to-center distance, one channel extended beyond frame 12 in with 54 in indicator column Note: For FXB-3846 through FXB-6084 scales only	\$1,250.00

NOTE: Indicator stand works with 120/120 Plus, 480/480 Plus, 482/482 Plus, 880/880 Plus, 882IS/882IS Plus, 882IS/882IS Plus w/battery, 680 Synergy

Standard Features

Painted Steel

- Unique flexure design filters motion and shock loading
- Spring steel flexures
- Rugged all-steel painted construction smooth deck
- One RL20000 series nickel-plated s-beam load cell and plated wire rope
- NTEP Certified models in sizes 24 × 24 in (500 lb) through 72 × 96 in up to 10,000 lb capacity

Stainless Steel

- Unique flexure design filters motion and shock loading
- All 304 stainless steel construction, smooth deck
- Stainless flexures, hardware and load cell
- NTEP Certified models in sizes 24 × 24 in (500 lb) through 72 × 96 in up to 10,000 lb capacity

Specifications

End Loading Capacity:

100% of scale capacity

Safe Overload Capacity:

150% of scale capacity

Warranty:

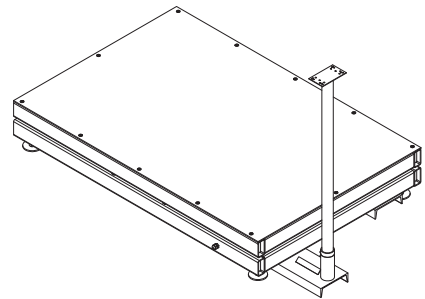
Two-year limited

Approvals:

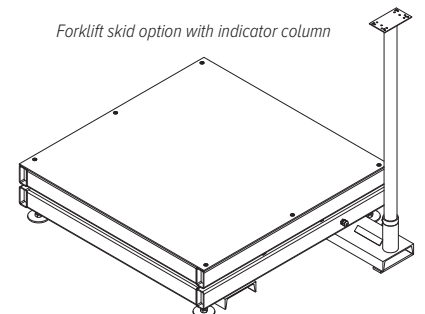
Painted: NTEP 88-100, Class III 5,000 d

Stainless steel: NTEP 88-100, Class III 3,000 d

On rectangular scales, the forks MUST run the long direction of the scale so the cord grip will be on the side adjacent



Forklift skid option with indicator column



# Summit® 3000 and 120 Indicator Package

Floor Scale/120 Indicator Package



## Approvals



## Part Number/Price

Part #	Size (W × L × H)	Capacity	Est. Weight	Price
<b>Floor Scale and Indicator Package (Single Scale)</b>				
Package includes Summit 3000 floor scale, 120 digital weight indicator with tilt stand, 20 ft load cell cable with quick disconnect; configured and calibrated				
<b>115 VAC</b>				
78772	4 ft × 4 ft × 3.625 in	5,000 × 1 lb	315 lb	\$2,650.00
78773	4 ft × 4 ft × 3.625 in	10,000 × 2 lb	315 lb	\$2,650.00
<b>230 VAC</b>				
78780	4 ft × 4 ft × 3.625 in	5,000 × 1 lb	315 lb	\$2,650.00
78781	4 ft × 4 ft × 3.625 in	10,000 × 2 lb	315 lb	\$2,650.00
<b>115 VAC Measurement Canada Approved</b>				
78776	4 ft × 4 ft × 3.625 in	2,500 lb × 0.5 kg	315 lb	\$2,650.00
78777	4 ft × 4 ft × 3.625 in	5,000 lb × 1 kg	315 lb	\$2,650.00

## Options/Accessories

Part #	Description	Price
<b>Summit 3000 Floor Scale</b>		
Consult	Access ramps available	See catalog page 381
Consult	Pit frames available	See catalog page 384
Consult	Bumper guards available	See catalog page 387 through catalog page 389
Consult	Portability frames available	See catalog page 390 through catalog page 395
75819	Floor anchor plates, mild steel (set of two)	\$40.00
19352	Floor stand for indicator, 36.3 in high, mild steel	\$250.00
126384	Floor stand for indicator, 48 in high, mild steel	\$275.00

## Standard Features

- Package includes: Summit 3000 4 ft × 4 ft × 3.625 in floor scale, 20 ft of EL147 load cell cable with quick disconnect, and 120 indicator
- Package configured and factory calibrated for 5,000 divisions

### Scale

- Four NTEP Certified alloy steel, shear beam load cells
- Top-access junction box
- Diamond safety tread plate deck
- Four adjustable rigid polyurethane rubber feet, 3 in (76 mm) diameter
- Signal trim summing board housed in ABS enclosure
- Threaded eyebolt hole (1/2–20NF) located in the center of the deck for easy lifting

### Indicator

- Large 0.8 in backlit LCD display
- Five-button operation
- Full front panel digital calibration and configuration

## Specifications

### End Load Capacity:

- 100% full scale at 5,000 lb
- 80% full scale at 10,000 lb

### Cable Length:

- 20 ft (6.1 m) for connecting junction box to indicator

### Threaded Eyebolt:

- Hole (1/2–20 NF) located in center of deck for easy lifting

### Warranty (limited):

- Weldment and load cells: Two-years
- All other components: One-year

### Approvals:

- NTEP 92-001, Class III 5,000 d
- Measurement Canada AM-5530, Class III 5,000 d (2,500 kg, 5,000 kg)

## 120 Specifications

### Power:

- Line voltages: 115 or 230 VAC
- Frequency: 50 or 60 Hz

### Communication Port:

- EDP port: Full duplex RS-232
- Printer port: Output-only RS-232 or active 20 mA current loop
- Both ports: 9600, 4800, 2400, 1200, 600, 300bps;
- Seven or eight data bits; even, odd or no parity

### Display:

- 0.8 in (20 mm), six-digit red LED display, seven-segment digits

### Annunciators:

- Center of zero, stand still, gross, net, lb, kg, oz, g

### Keys/Buttons:

- Five-key flat membrane panel, tactile feel

### Rating/Material:

- Enclosure: heavy gauge ABS

### Warranty:

- One-year limited

### Approvals:

- NTEP 03-059, Class III/IIIL 10,000 d
- Measurement Canada AM-5517, Class III/IIILD 10,000 d
- EU Test Certificate TC7028 (120) Class III, 10,000 d
- CE marked

# Summit® 3000 and 120 Plus Indicator Package

Floor Scale/120 Plus Indicator Package



## Approvals



Measurement  
Canada  
Approved

## Part Number/Price

Part #	Size (W × L × H)	Capacity	Est. Weight	Price
<b>Floor Scale and Indicator Package (Single Scale)</b>				
Package includes Summit® 3000 floor scale, 120/120 Plus digital weight indicator with tilt stand, 20 ft load cell cable with quick disconnect; configured and calibrated				
<b>115 VAC</b>				
106913	4 ft × 4 ft × 3.625 in	5,000 × 1 lb	315 lb	\$2,795.00
106914	4 ft × 4 ft × 3.625 in	10,000 × 2 lb	315 lb	\$2,795.00
<b>230 VAC</b>				
106915	4 ft × 4 ft × 3.625 in	5,000 × 1 lb	315 lb	\$2,795.00
106916	4 ft × 4 ft × 3.625 in	10,000 × 2 lb	315 lb	\$2,795.00
<b>115 VAC Measurement Canada Approved</b>				
106917	4 ft × 4 ft × 3.625 in	2,500 lb × 0.5 kg	315 lb	\$2,795.00
106918	4 ft × 4 ft × 3.625 in	5,000 lb × 1 kg	315 lb	\$2,795.00

## Options/Accessories

Part #	Description	Price
<b>Summit® 3000 Floor Scale</b>		
Consult	Access ramps available	See catalog page 381
Consult	Pit frames available	See catalog page 384
Consult	Bumper guards available	See catalog page 387 through catalog page 389
Consult	Portability frames available	See catalog page 390 through catalog page 395
75819	Floor anchor plates, mild steel (set of two)	\$40.00
19352	Floor stand for indicator, 36.3 in high, mild steel	\$250.00
126384	Floor stand for indicator, 48 in high, mild steel	\$275.00

## Standard Features

- Package includes: Summit 3000 4 ft × 4 ft × 3.625 in floor scale, 20 ft of EL147 load cell cable with quick disconnect, and 120 Plus indicator
- Package configured and factory calibrated for 5,000 divisions

### Scale

- Four NTEP Certified alloy steel, shear-beam load cells
- Top-access junction box
- Diamond safety tread plate deck
- Four adjustable rigid polyurethane rubber feet, 3 in (76 mm) diameter
- Signal trim summing board housed in ABS enclosure
- Threaded eyebolt hole (1/2–20NF) located in the center of the deck for easy lifting

### Indicator

- Large 0.8 in backlit liquid crystal display (LCD)
- 115 or 230 VAC wall adapter with rechargeable battery

## Summit Floor Scale Specifications

### End Load Capacity:

- 100% full scale at 5,000 lb
- 80% full scale at 10,000 lb

### Cable Length:

- 20 ft (6.1 m) for connecting junction box to indicator

### Threaded Eyebolt:

- Hole (1/2–20 NF) located in center of deck for easy lifting

### Warranty (limited):

- Weldment and load cells: Two-years
- All other components: One-year

### Approvals:

- NTEP 92-001, Class III 5,000 d
- Measurement Canada AM-5530, Class III 5,000 d (2,500 kg, 5,000 kg)

## 120 Plus Specifications

### Power:

- Line voltages: 115 or 230 VAC
- Frequency: 50 or 60 Hz

### Battery Life:

- 60 hours with 1 × 350 ohm, 40 hours with 4 × 350 ohm
- Charge time: Eight hours

### Communication Port:

- EDP port: Full duplex RS-232
- Printer port: Output-only RS-232 or active 20 mA current loop
- Both ports: 9600, 4800, 2400, 1200, 600, 300bps;
- Seven or eight data bits; even, odd or no parity

### Display:

- 0.8 in (20 mm) six-digit LCD with backlight, seven-segment digits

### Annunciators:

- Battery, setpoint 1 and 2, Hold

### Keys/Buttons:

- Zero, tare, preset tare, hold, gross/net, units, numeric 0-9, clear, enter/print

### Rating/Material:

- Enclosure: heavy gauge ABS

### Warranty:

- One-year limited

### Approvals:

- NTEP 03-059, Class III/IIIL 10,000 d
- Measurement Canada AM-5517
- CE Marked

# Summit® 3000

Low-profile Floor Scale



## Approvals



Measurement  
Canada  
Approved

## Part Number/Price

Part #	Size (W × L × H)	Capacity	Est. Weight	Price
<b>Single Scale</b>				
74715	3 ft × 3 ft × 3.625 in	2,000 lb	190 lb	\$1,995.00
74716	4 ft × 4 ft × 3.625 in	2,000 lb	305 lb	\$2,125.00
74717	4 ft × 4 ft × 3.625 in	5,000 lb	305 lb	\$2,125.00
74718	4 ft × 4 ft × 3.625 in	10,000 lb	305 lb	\$2,125.00
74719	4 ft × 5 ft × 3.625 in	5,000 lb	395 lb	\$2,345.00
74720	4 ft × 5 ft × 3.625 in	10,000 lb	445 lb	\$3,185.00
74721	4 ft × 6 ft × 3.625 in	5,000 lb	470 lb	\$2,535.00
74722	4 ft × 6 ft × 3.625 in	10,000 lb	525 lb	\$3,375.00
74723	5 ft × 5 ft × 3.625 in	5,000 lb	505 lb	\$2,575.00
74724	5 ft × 5 ft × 3.625 in	10,000 lb	575 lb	\$3,415.00
<b>Single Scale—Measurement Canada Approved</b>				
77440	3 ft × 3 ft × 3.625 in	1,000 kg	190 lb	\$1,995.00
77373	4 ft × 4 ft × 3.625 in	1,000 kg	305 lb	\$2,125.00
77346	4 ft × 4 ft × 3.625 in	2,500 kg	305 lb	\$2,125.00
77347	4 ft × 4 ft × 3.625 in	5,000 kg	305 lb	\$2,125.00
82880	4 ft × 5 ft × 3.625 in	2,500 kg	395 lb	\$2,345.00
82881	4 ft × 5 ft × 3.625 in	5,000 kg	445 lb	\$3,185.00
77348	5 ft × 5 ft × 3.625 in	2,500 kg	505 lb	\$2,575.00
77349	5 ft × 5 ft × 3.625 in	5,000 kg	575 lb	\$3,415.00

## Options/Accessories

Part #	Description	Price
75819	Floor anchor plates, mild steel (set of two)	\$40.00
Consult	Top-access foot adjust holes	\$40.00
19352	Floor stand for indicator, 36.3 in high, mild steel	\$250.00
126384	Floor stand for indicator, 48 in high, mild steel	\$275.00

\*For custom sizes or capacities, please consult factory for RoughDeck® HP pricing

## Standard Features

- Four NTEP Certified alloy steel shear beam load cells
- Top access junction box
- Diamond safety tread plate deck
- Four adjustable rigid polyurethane rubber feet, 3 in (76 mm) diameter
- Signal trim summing board housed in ABS enclosure
- Threaded eyebolt hole (1/2-20NF) located in the center of the deck for easy lifting
- 20 ft of EL147 load cell cable. The load cell cable exits weldment toward the interior of scale, allowing flexibility to route out any side of scale to digital weight indicator.

## Specifications

### End Load Capacity:

- 100% full scale at 2,000 lb and 5,000 lb
- 80% full scale at 10,000 lb

### Cable Length:

- 20 ft (6.1 m) for connecting junction box to indicator

### Threaded Eyebolt:

- Hole (1/2-20 NF) located in center of deck for easy lifting

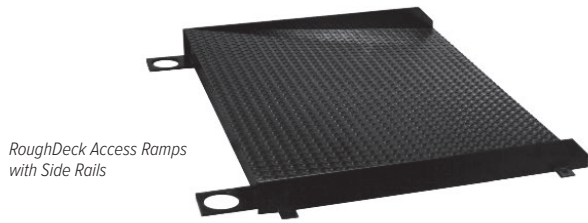
### Warranty (limited):

- Weldment and load cells: Two-years
- All other components: One-year

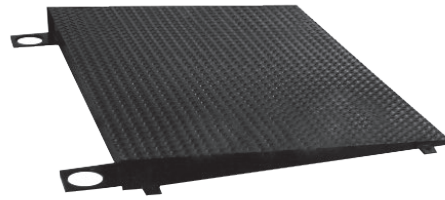
### Approvals:

- NTEP 92-001A9, Class III 5,000 d
- Measurement Canada AM-5530, Class III 5,000 d (2,500 kg, 5,000 kg) 2,000 d (1,000 kg)

# RoughDeck® Access Ramps



RoughDeck Access Ramps with Side Rails



RoughDeck Access Ramps without Side Rails

## RoughDeck Access Ramps

Part # with Side Rails	Part # without Side Rails	Size (W × L × H)	Ramp Angle of Incline	Est. Weight	Price
<b>RoughDeck HP: 1,000 to 10,000 lb (diamond treadplate standard)</b>					
69040*	224097	2.5 ft × 3 ft × 3.5 in	5.3°	115 lb	\$645.00
69041*	224099	3 ft × 3 ft × 3.5 in	5.3°	133 lb	\$685.00
69042*	224100	4 ft × 3 ft × 3.5 in	5.3°	177 lb	\$750.00
69043*	224101	5 ft × 3 ft × 3.5 in	5.3°	226 lb	\$845.00
69184	224102	2.5 ft × 4 ft × 3.5 in	3.9°	152 lb	\$750.00
69185	224103	3 ft × 4 ft × 3.5 in	3.9°	177 lb	\$800.00
69186	224104	4 ft × 4 ft × 3.5 in	3.9°	224 lb	\$895.00
69187	224105	5 ft × 4 ft × 3.5 in	3.9°	272 lb	\$950.00
<b>RoughDeck HP-H: 20,000 lb (diamond treadplate standard)</b>					
69204	224106	4 ft × 4 ft × 4 in	4.4°	487 lb	\$1,575.00
69205	224107	5 ft × 4 ft × 4 in	4.4°	591 lb	\$1,800.00
69206	224108	6 ft × 4 ft × 4 in	4.4°	689 lb	\$1,895.00
69207	224109	7 ft × 4 ft × 4 in	4.4°	822 lb	\$2,200.00
69208	224110	8 ft × 4 ft × 4 in	4.4°	1005 lb	\$2,435.00
<b>RoughDeck HP-H: 30,000 lb (diamond treadplate standard)</b>					
69210	224111	4 ft × 5 ft × 5 in	4.4°	666 lb	\$1,955.00
69211	224112	5 ft × 5 ft × 5 in	4.4°	806 lb	\$2,175.00
69212	224113	6 ft × 5 ft × 5 in	4.4°	942 lb	\$2,385.00
69213	224114	7 ft × 5 ft × 5 in	4.4°	1116 lb	\$2,695.00
69214	224115	8 ft × 5 ft × 5 in	4.4°	1337 lb	\$3,115.00
<b>RoughDeck SS and HE: 1,000 to 10,000 lb (diamond treadplate standard)</b>					
232388*	232389	2 ft × 3 ft × 3.5 in	5.3°	115 lb	\$1,325.00
69178*	224116	2.5 ft × 3 ft × 3.5 in	5.3°	115 lb	\$1,325.00
69179*	224117	3 ft × 3 ft × 3.5 in	5.3°	133 lb	\$1,325.00
69180*	224118	4 ft × 3 ft × 3.5 in	5.3°	177 lb	\$1,620.00
69189	224119	2.5 ft × 4 ft × 3.5 in	3.9°	152 lb	\$1,475.00
69190	224120	3 ft × 4 ft × 3.5 in	3.9°	177 lb	\$1,620.00
69191	224121	4 ft × 4 ft × 3.5 in	3.9°	224 lb	\$2,200.00
69192	224122	5 ft × 4 ft × 3.5 in	3.9°	272 lb	\$2,490.00

\* Not recommended for use with pallet jacks.

NOTE: Part numbered ramps are designed to fit scale on sides perpendicular to junction box. The junction box is always on longest side of scale unless specified differently.

NOTE: Part numbered ramps are designed to fit scale sides A or C; if you need a ramp to fit scale side B or D, please refer to page 382. Please request a quote for a special ramp.

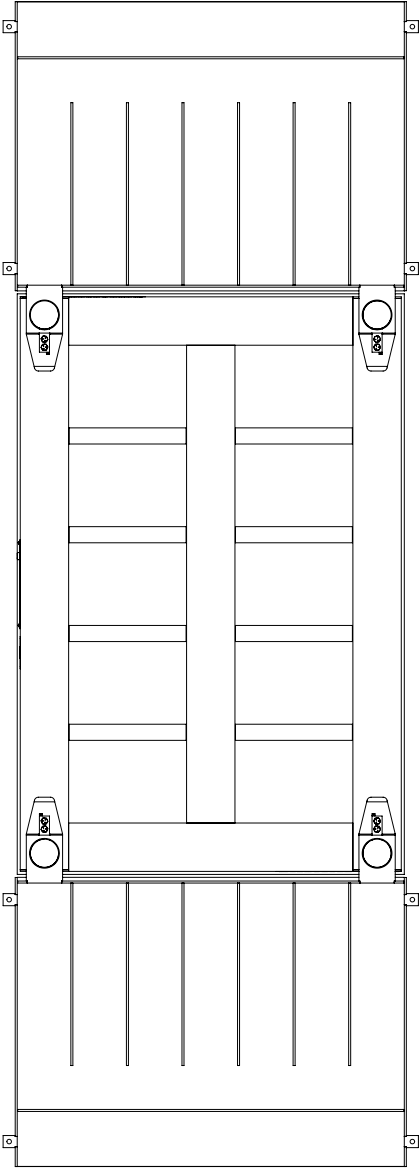
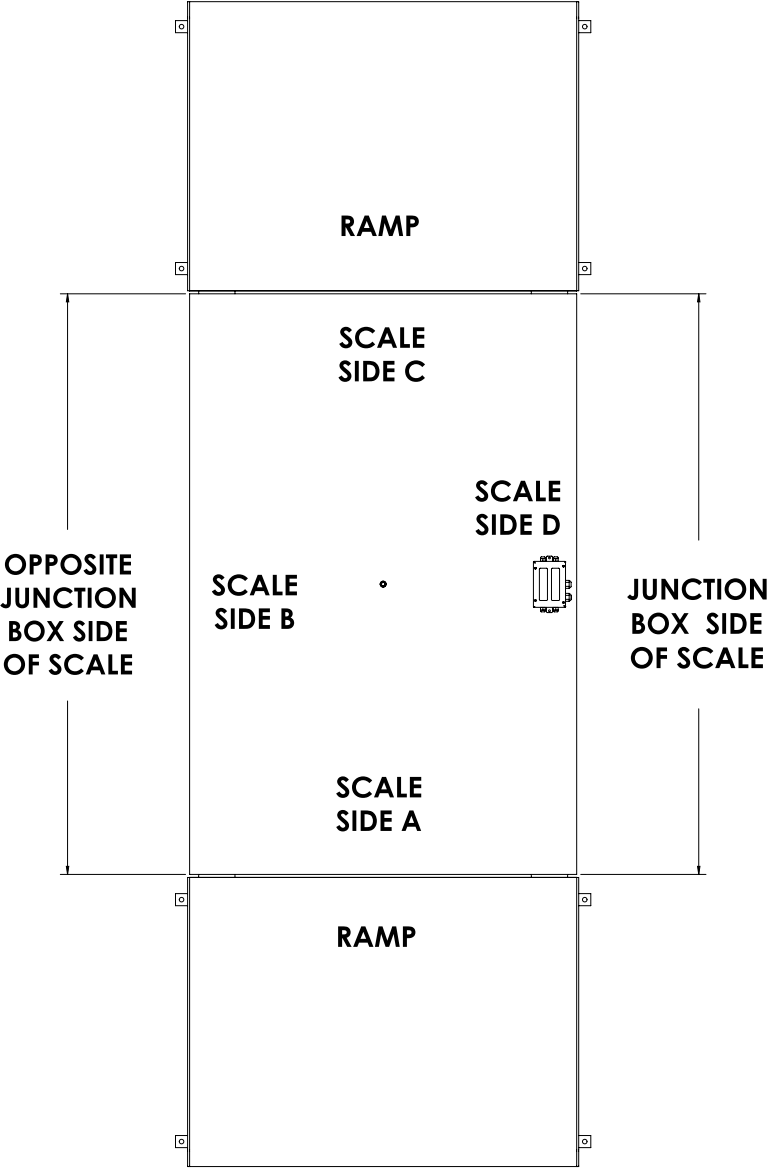
## Options/Accessories

Part #	Description	Price
Consult	Epoxy paint	+\$150.00 list price add-on

FLOOR SCALES

# RoughDeck® Access Ramps

FLOOR SCALES



Underdeck View

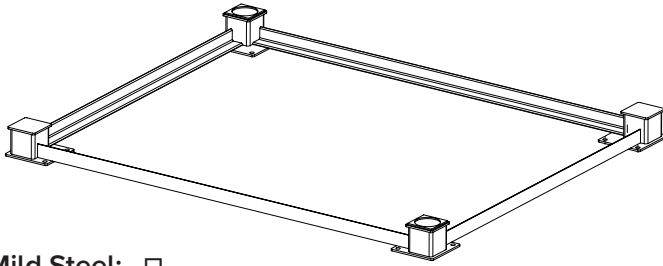
Part numbered ramps are designed to fit scale sides A or C; if you need a ramp to fit scale side B or D, please request a quote for a special ramp.  
 The junction box is always on the longest side of the scale unless specified differently.

# Floor Scale Pit Mounted Riser Stand

Please complete and email this form to [orderdesk@ricelake.com](mailto:orderdesk@ricelake.com) for pricing.

## Standard Features

- Ideal for applications with an existing pit and the depth exceeds standard pit depth for the scale
- Designed to be anchored to pit floor (anchor bolts not included)

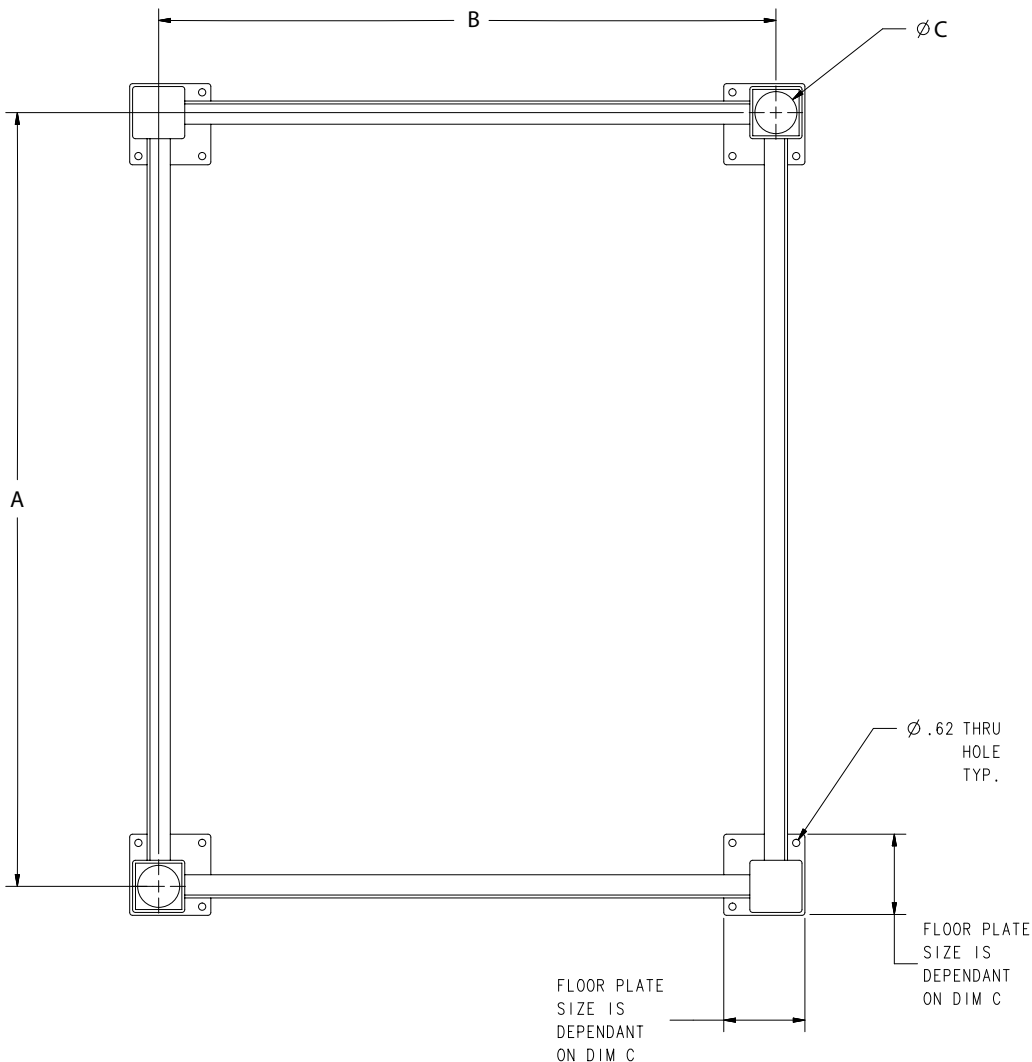
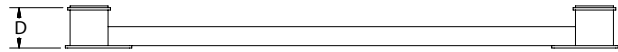


Painted Mild Steel:

Stainless Steel:

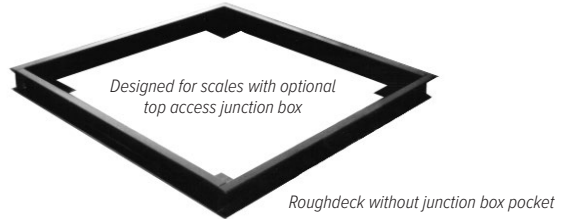
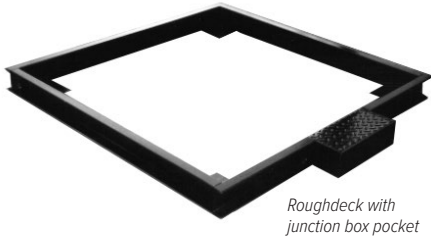
Scale Capacity: \_\_\_\_\_

A	
B	
C	
D	



FLOOR SCALES

# RoughDeck® Pit Frames



## Part Number/Price

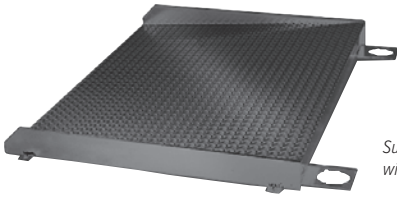
Part # with Junction Box Pocket	Part # without Junction Box Pocket	Size (W × L)	Est. Weight	Price
<b>RoughDeck HP: 1,000 to 10,000 lb</b>				
18757	224271	2.5 × 2.5 ft	88 lb	\$490.00
18759	224272	3 × 3 ft	102 lb	\$545.00
18761	224273	4 × 4 ft	127 lb	\$695.00
18763	224274	5 × 5 ft	154 lb	\$865.00
18765	224275	4 × 5 ft	140 lb	\$785.00
18767	224276	4 × 6 ft	157 lb	\$865.00
18769	224277	5 × 6 ft	172 lb	\$955.00
18771	224278	5 × 7 ft	185 lb	\$1,020.00
<b>RoughDeck HP-H: 20,000 lb</b>				
39595	224279	4 × 4 ft	309 lb	\$860.00
39596	224280	4 × 5 ft	352 lb	\$920.00
39597	224281	4 × 6 ft	391 lb	\$985.00
39598	224282	4 × 7 ft	459 lb	\$1,130.00
39599	224283	5 × 5 ft	411 lb	\$1,035.00
39600	224284	5 × 6 ft	460 lb	\$1,180.00
39601	224285	5 × 7 ft	473 lb	\$1,230.00
39602	224286	6 × 6 ft	583 lb	\$1,365.00
39603	224287	6 × 7 ft	597 lb	\$1,420.00
39604	224288	6 × 8 ft	610 lb	\$1,500.00
39605	224289	7 × 9 ft	683 lb	\$1,595.00
39606	224290	7 × 10 ft	781 lb	\$1,685.00
39607	224291	8 × 10 ft	795 lb	\$1,745.00
<b>RoughDeck HP-H: 30,000 lb</b>				
39608	224292	4 × 4 ft	356 lb	\$1,020.00
39609	224293	4 × 5 ft	402 lb	\$1,070.00
39610	224294	4 × 6 ft	444 lb	\$1,160.00
39611	224295	4 × 7 ft	516 lb	\$1,275.00
39612	224296	5 × 5 ft	464 lb	\$1,230.00
39613	224297	5 × 6 ft	498 lb	\$1,305.00
39614	224298	5 × 7 ft	533 lb	\$1,365.00
39615	224299	6 × 6 ft	643 lb	\$1,590.00
39619	224300	7 × 10 ft	850 lb	\$1,765.00
39620	224301	8 × 10 ft	875 lb	\$1,835.00
<b>RoughDeck SS and HE: 1,000 to 10,000 lb</b>				
232386	232387	2 × 2 ft	88 lb	\$1,680.00
18758	224302	2.5 × 2.5 ft	88 lb	\$1,680.00
18760	224303	3 × 3 ft	102 lb	\$1,680.00
18762	224304	4 × 4 ft	127 lb	\$2,085.00
18764	224305	5 × 5 ft	154 lb	\$2,580.00
18766	224306	4 × 5 ft	140 lb	\$2,340.00
18772	224307	5 × 7 ft	185 lb	\$3,070.00

## Options/Accessories

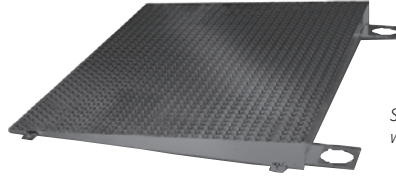
Part #	Description	Price
Consult	Epoxy paint	+\$150.00 list price add-on

FLOOR SCALES

# Summit® 3000 Access Ramps



Summit Access Ramps  
with Side Rails



Summit Access Ramps  
without Side Rails

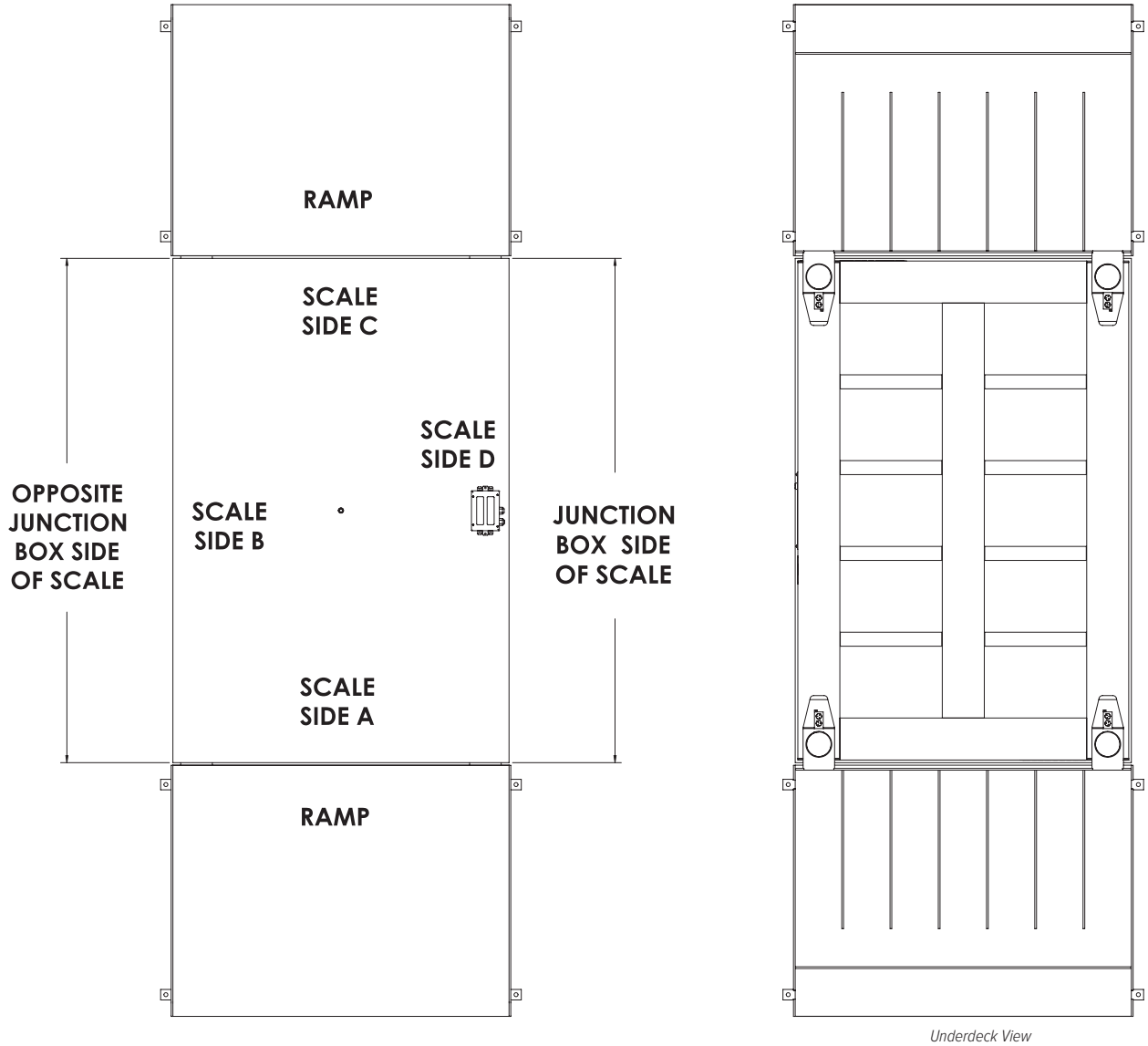
## Part Number/Price

Part # with Side Rails	Part # without Side Rails	Size (W × L × H) (Diamond Treadplate Standard)	Ramp Angle of Incline	Est. Weight	Price
74953*	224124	3 ft × 3 ft × 3.625 in	6°	133 lb	\$685.00
74954*	224125	4 ft × 3 ft × 3.625 in	6°	177 lb	\$750.00
74955*	224126	5 ft × 3 ft × 3.625 in	6°	226 lb	\$845.00
74956	224127	3 ft × 4 ft × 3.625 in	4°	177 lb	\$800.00
74957	224129	4 ft × 4 ft × 3.625 in	4°	224 lb	\$895.00
74958	224130	5 ft × 4 ft × 3.625 in	4°	272 lb	\$950.00

\* Not recommended for use with pallet jacks

NOTE: Part numbered ramps are designed to fit scale on sides perpendicular to junction box. The junction box is always on longest side of scale unless specified differently.

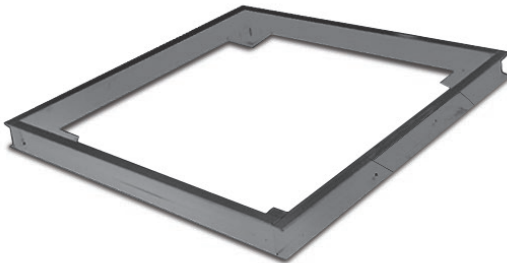
Part numbered ramps are designed to fit scale sides A or C; if you need a ramp to fit scale side B or D, please request a quote for a special ramp



Underdeck View

FLOOR SCALES

# Summit® 3000 Pit Frames



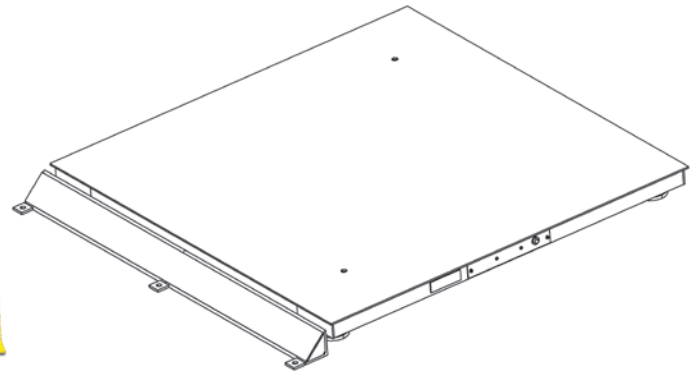
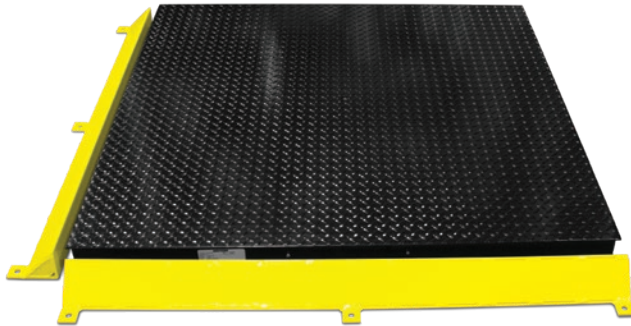
## Part Number/Price

Part #	Size (W × L)	Est. Weight	Price
75036	3 × 3 ft	100 lb	\$545.00
75037	4 × 4 ft	125 lb	\$695.00
75040	5 × 5 ft	155 lb	\$865.00
75038	4 × 5 ft	140 lb	\$785.00
75039	4 × 6 ft	157 lb	\$865.00

FLOOR SCALES

# Bumper Guards

Option A



**Anchor bolt size required:**  
1/2 in dia (not included)

**Construction:**  
RoughDeck® HP and HP-H versions  
(mild steel, painted safety yellow)  
RoughDeck SS/HE (304 stainless steel)

FLOOR SCALES

## Part Number/Price

Length	RoughDeck HP	Price Each	RoughDeck SS/HE	Price Each	RoughDeck HP-H	Price Each
2.5 ft	<b>86815</b>	\$155.00	<b>86824</b>	\$270.00	<b>86833</b>	\$270.00
3.0 ft	<b>86816</b>	\$190.00	<b>86825</b>	\$320.00	<b>86834</b>	\$320.00
4.0 ft	<b>86817</b>	\$250.00	<b>86826</b>	\$425.00	<b>86835</b>	\$425.00
5.0 ft	<b>86818</b>	\$315.00	<b>86827</b>	\$530.00	<b>86836</b>	\$530.00
6.0 ft	<b>86819</b>	\$375.00	<b>86828</b>	\$635.00	<b>86837</b>	\$635.00
7.0 ft	<b>86820</b>	\$435.00	<b>86829</b>	\$740.00	<b>86838</b>	\$740.00
8.0 ft	<b>86821</b>	\$495.00	<b>86830</b>	\$845.00	<b>86839</b>	\$845.00
9.0 ft	<b>86822</b>	\$565.00	<b>86831</b>	\$950.00	<b>86840</b>	\$950.00
10.0 ft	<b>86823</b>	\$625.00	<b>86832</b>	\$1,060.00	<b>86841</b>	\$1,060.00

## Accessories

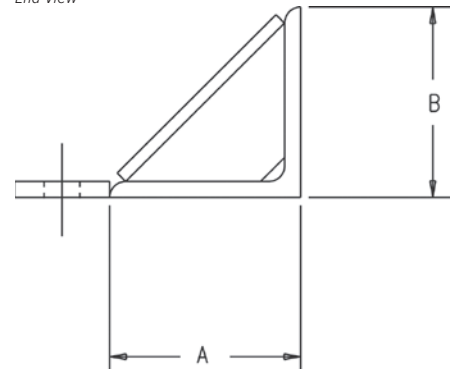
Part #	Description	Price
<b>18777</b>	Floor anchor plates, mild steel (set of two), RoughDeck HP	\$40.00
<b>18778</b>	Floor anchor plates, stainless steel (set of two), RoughDeck SS/HE	\$55.00
<b>40387</b>	Floor anchor plates, mild steel (set of two), RoughDeck HP-H 20,000 lb	\$55.00
<b>40388</b>	Floor anchor plates, mild steel (set of two), RoughDeck HP-H 30,000 lb	\$55.00

## Dimensions

Model	A	B
RoughDeck HP	3 in	3 in
RoughDeck SS/HE	3 in	3 in
RoughDeck HP-H	4 in	4 in

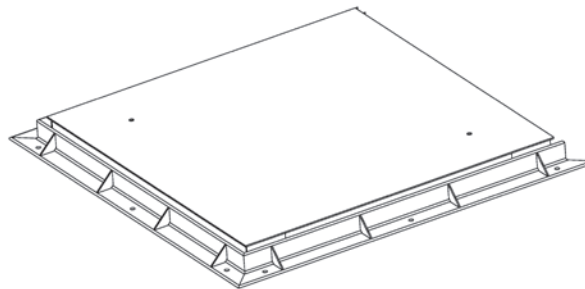
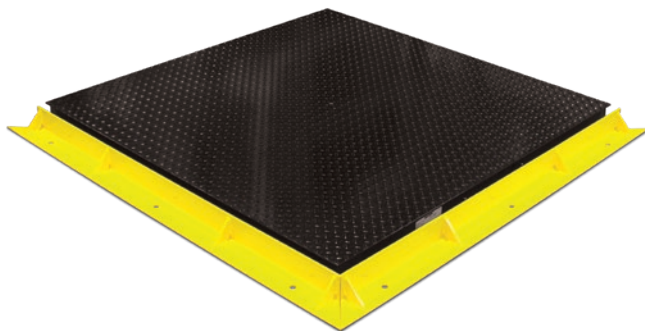
Note: 1 in=25.4 mm

End View



# Bumper Guards

Option B



Note: If you plan to surround scale on all four sides with bumper guards, option B, please contact factory as a special bumper guard must be made to accommodate the home run cable exit.

**Anchor bolt size required:**  
1/2 in dia (not included)

**Construction:**  
RoughDeck® HP and HP-H versions  
(mild steel, painted safety yellow)  
RoughDeck SS/HE (304 stainless steel)

FLOOR SCALES

## Part Number/Price

Length	RoughDeck HP	Price Each	RoughDeck SS/HE	Price Each	RoughDeck HP-H	Price Each
2.5 ft	<b>86843</b>	\$150.00	<b>86852</b>	\$220.00	<b>86861</b>	\$220.00
3.0 ft	<b>86844</b>	\$185.00	<b>86853</b>	\$265.00	<b>86862</b>	\$265.00
4.0 ft	<b>86845</b>	\$245.00	<b>86854</b>	\$350.00	<b>86863</b>	\$350.00
5.0 ft	<b>86846</b>	\$300.00	<b>86855</b>	\$435.00	<b>86864</b>	\$435.00
6.0 ft	<b>86847</b>	\$360.00	<b>86856</b>	\$525.00	<b>86865</b>	\$525.00
7.0 ft	<b>86848</b>	\$425.00	<b>86857</b>	\$610.00	<b>86866</b>	\$610.00
8.0 ft	<b>86849</b>	\$480.00	<b>86858</b>	\$695.00	<b>86867</b>	\$695.00
9.0 ft	<b>86850</b>	\$540.00	<b>86859</b>	\$745.00	<b>86868</b>	\$745.00
10.0 ft	<b>86851</b>	\$595.00	<b>86860</b>	\$870.00	<b>86869</b>	\$870.00

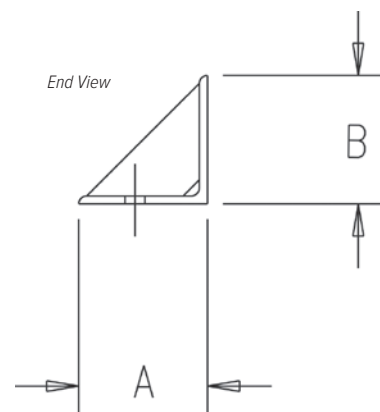
## Accessories

Part #	Description	Price
<b>18777</b>	Floor anchor plates, mild steel (set of two), RoughDeck HP	\$40.00
<b>18778</b>	Floor anchor plates, stainless steel (set of two), RoughDeck SS/HE	\$55.00
<b>40387</b>	Floor anchor plates, mild steel (set of two), RoughDeck HP-H 20,000 lb	\$55.00
<b>40388</b>	Floor anchor plates, mild steel (set of two), RoughDeck HP-H 30,000 lb	\$55.00

## Dimensions

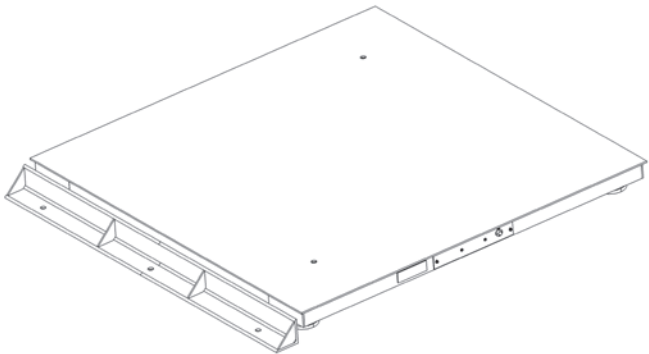
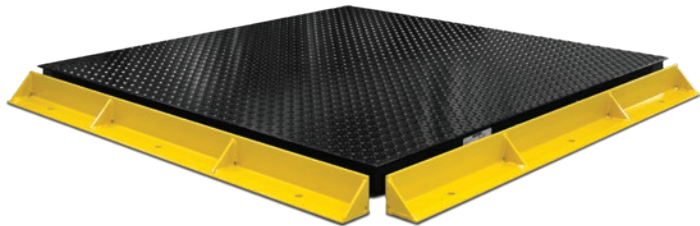
Model	A	B
RoughDeck HP	3 in	3 in
RoughDeck SS/HE	3 in	3 in
RoughDeck HP-H	4 in	4 in

Note: 1 in=25.4 mm



# Bumper Guards

Option C



**Anchor bolt size required:**  
1/2 in dia (not included)

**Construction:**  
RoughDeck® HP and HP-H versions  
(mild steel, painted safety yellow)  
RoughDeck SS/HE  
(304 stainless steel)

FLOOR SCALES

### Part Number/Price

Length	RoughDeck HP	Price Each	RoughDeck SS/HE	Price Each	RoughDeck HP-H	Price Each
2.5 ft	86870	\$100.00	86879	\$225.00	86888	\$225.00
3.0 ft	86871	\$130.00	86880	\$275.00	86889	\$275.00
4.0 ft	86872	\$160.00	86881	\$370.00	86890	\$370.00
5.0 ft	86873	\$200.00	86882	\$455.00	86891	\$455.00
6.0 ft	86874	\$245.00	86883	\$545.00	86892	\$545.00
7.0 ft	86875	\$280.00	86884	\$635.00	86893	\$635.00
8.0 ft	86876	\$325.00	86885	\$735.00	86894	\$735.00
9.0 ft	86877	\$360.00	86886	\$820.00	86895	\$820.00
10.0 ft	86878	\$400.00	86887	\$910.00	86896	\$910.00

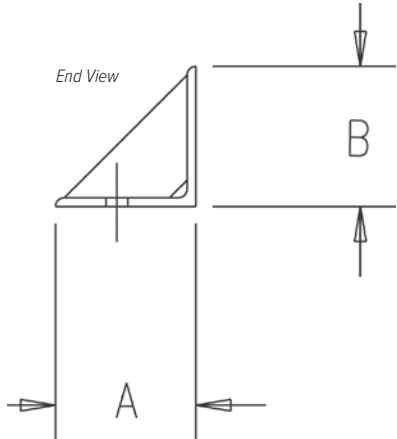
### Accessories

Part #	Description	Price
18777	Floor anchor plates, mild steel (set of two), RoughDeck HP	\$40.00
18778	Floor anchor plates, stainless steel (set of two), RoughDeck SS/HE	\$55.00
40387	Floor anchor plates, mild steel (set of two), RoughDeck HP-H 20,000 lb	\$55.00
40388	Floor anchor plates, mild steel (set of two), RoughDeck HP-H 30,000 lb	\$55.00

### Dimensions

Model	A	B
RoughDeck HP	3 in	3 in
RoughDeck SS/HE	3 in	3 in
RoughDeck HP-H	4 in	4 in

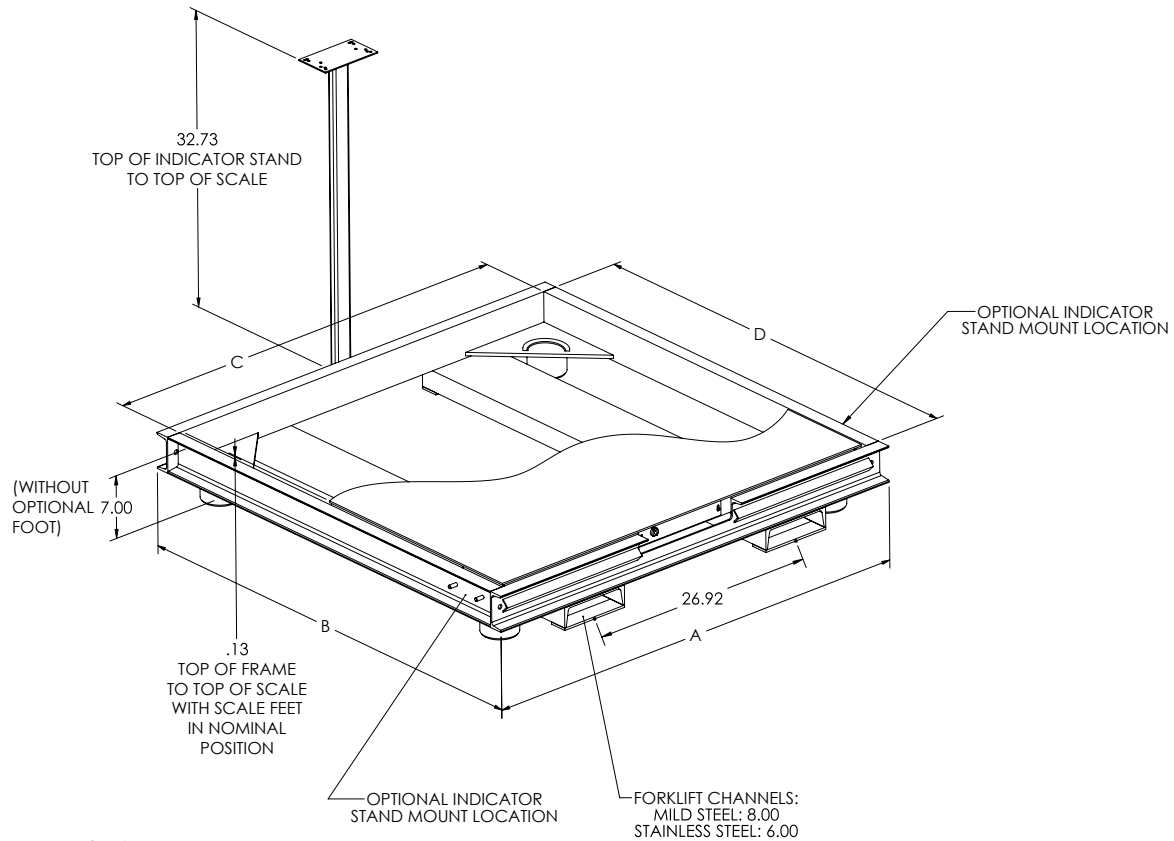
Note: 1 in=25.4 mm



# RoughDeck® HP and SS

Forklift Portability Frames

FLOOR SCALES



## Part Number/Price

Part #	Size (W × L)	Est. Weight	Price
<b>RoughDeck HP Portability Frames</b>			
164492	4 × 4 ft, up to 10,000 lb capacity, floor stand for indicator 36.3 in high, indicator stand mounting bracket	275 lb	\$1,485.00
164493	5 × 5 ft, up to 10,000 lb capacity, floor stand for indicator 36.3 in high, indicator stand mounting bracket	400 lb	\$1,625.00
<b>RoughDeck SS Portability Frames</b>			
164494	4 × 4 ft, up to 10,000 lb capacity, floor stand for indicator 36.3 in high, indicator stand mounting bracket	275 lb	\$4,365.00
164495	5 × 5 ft, up to 10,000 lb capacity, floor stand for indicator 36.3 in high, indicator stand mounting bracket	400 lb	\$4,760.00

NOTE: Indicator stand mount bracket works with 120/120 Plus, 882IS/882IS Plus, 882IS/882IS Plus w/battery, 880/880 Plus, 480/480 Plus, 482/482 Plus, 680 Synergy

NOTE: Consult factory if you intend on using with a pallet jack

## Options

Part #	Size (L × W)	Est. Weight	Price
<b>Options</b>			
74574	SST, captured ball foot 3.00 in diameter 1/2-20 UNF thread with jam nut	3.0 lb	\$80.00

## Dimensions

Portability Frame		
<b>4 × 4 ft</b>		
A	Mild steel: 51.92 in	Stainless steel: 52.75 in
B	Mild steel: 51.92 in	Stainless steel: 52.75 in
C	48.75 in	
D	48.75 in	
<b>5 × 5 ft</b>		
A	Mild steel: 63.92 in	Stainless steel: 64.75 in
B	Mild steel: 63.92 in	Stainless steel: 64.75 in
C	60.75 in	
D	60.75 in	
<b>Distance from floor to inside of strap on the fork entry (without optional foot) (4 × 4 ft)</b>		
	Mild steel: 3/4 in	Stainless steel: 1/2 in
<b>Distance from inside of strap to top of the fork entry (without optional foot) (5 × 5 ft)</b>		
	Mild steel: 2 in	Stainless steel: 2 1/4 in

Note: 1 in=25.4 mm

# RoughDeck® HP

Forklift SENDit Portability Frames, Non-NTEP

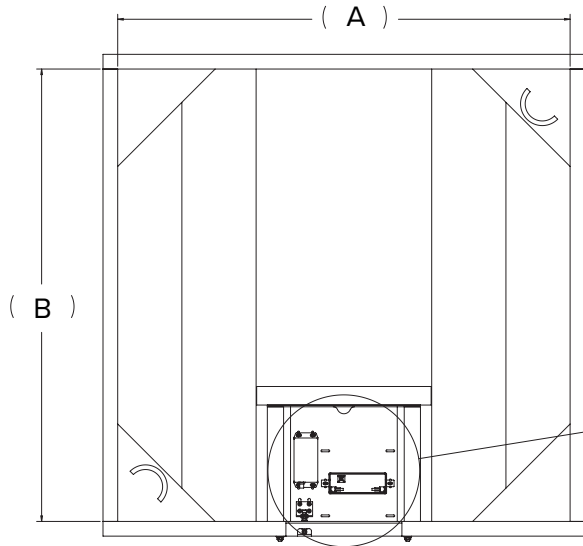


Scale is sold separately

## Standard Features

- Wireless connection from scale to operator display
- Works with any basic digital weight indicator
- Excitation to the load cell(s) provided by the transmitter, not the indicator
- Transmitter excitation voltage: +4.8 VDC, 16 × 350 ohm or 32 × 700 ohm load cells
- Each transmitter/receiver set is individually paired and will not interfere with another set

FLOOR SCALES



## Part Number/Price

Part #	Size (W × L)	Est. Weight	Price
<b>Roughdeck HP Portability Frame</b>			
210900	Roughdeck HP 4 × 4 ft, up to 10,000 lb capacity, frame only	350 lb	\$1,625.00
210901	Roughdeck HP 5 × 5 ft, up to 10,000 lb capacity, frame only	395 lb	\$1,760.00
<b>SENDit Wireless Electronics Kit</b>			
210898	SENDit wireless load cell interface kit, non-NTEP, indicator not included (customer to supply)	-	\$3,350.00

## Options/Accessories

Part #	Description	Price
162173	Battery, 6V SLA	\$155.00
74574	Foot	\$80.00

## Dimensions

Scale Size	4 × 4 ft	5 × 5 ft
A	48.75 in	60.75 in
B	48.75 in	60.75 in
C	9.50 in	9.50 in

Note: 1 in=25.4 mm

# RoughDeck® HP

Forklift SENDit Portability Frames, NTEP

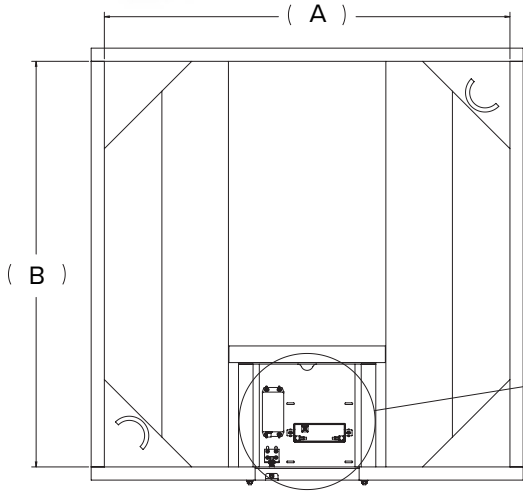
FLOOR SCALES



Scale is sold separately

## Standard Features

- Wireless connection from scale to operator display
- Excitation to the load cell(s) provided by the transmitter, not the indicator
- Each transmitter/receiver set is individually paired and will not interfere with another set
- Transmitter excitation voltage: +4.8 VDC, 16 × 350 ohm or 32 × 700 ohm load cells
- Estimated battery life of 100 hours
- Two set points with red/green display for operator verification
- Optional audible alarm



## Approvals



## Part Number/Price

Part #	Size (W × L)	Est. Weight	Price
<b>Roughdeck HP Portability Frame</b>			
210900	Roughdeck HP 4 × 4 ft, up to 10,000 lb capacity, frame only	350 lb	\$1,625.00
210901	Roughdeck HP 5 × 5 ft, up to 10,000 lb capacity, frame only	395 lb	\$1,760.00
<b>SENDit Wireless Electronics Kit</b>			
210899	Sendit wireless load cell interface kit, NTEP, Includes one 8004HD display	-	\$4,215.00

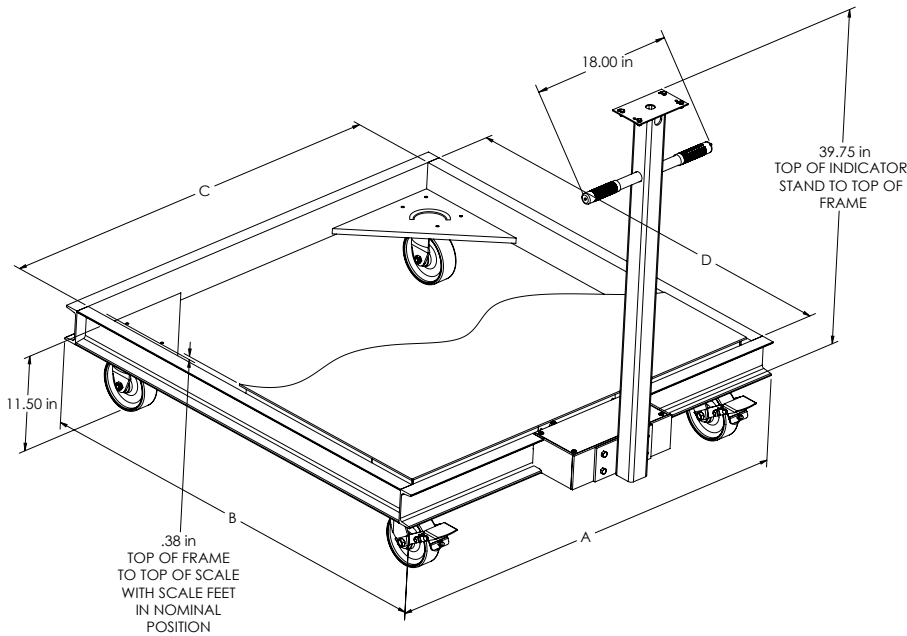
## Options/Accessories

Part #	Description	Price
162173	Battery, 6 V SLA	\$155.00
74574	Foot	\$80.00

## Dimensions

Scale Size	4 × 4 ft	5 × 5 ft
A	48.75 in	60.75 in
B	48.75 in	60.75 in
C	9.50 in	9.50 in

Note: 1 in=25.4 mm



## Standard Features

- Painted mild steel
- Indicator stand fits 480 Legend® weight indicators
- Two rigid forged steel casters, two swivel forged steel caster with lock on back
- Casters for scales 1,000 to 5,000 lb are rated for 4,000 lb each

## Part Number/Price

Part #	Size (W × L × H)	Est. Weight	Price
<b>RoughDeck HP Caster Portability Frames</b>			
157785	2.5 × 2.5 ft, for RoughDeck HP 1,000 to 5,000 lb	220 lb	\$2,500.00
157791	3 × 3 ft, for RoughDeck HP 1,000 to 5,000 lb	240 lb	\$2,500.00
157792	4 × 4 ft, for RoughDeck HP 1,000 to 5,000 lb	260 lb	\$2,500.00
157793	4 × 4 ft, for RoughDeck HP 10,000 lb	260 lb	\$2,950.00
<b>RoughDeck HP Caster Portability Frame with Conductive Wheels for use with 882IS</b>			
199096	2.5 × 2.5 ft, for RoughDeck HP 1,000 to 5,000 lb	220 lb	\$2,800.00
199097	3 × 3 ft, for RoughDeck HP 1,000 to 5,000 lb	240 lb	\$2,800.00
199098	4 × 4 ft, for RoughDeck HP 1,000 to 5,000 lb	260 lb	\$2,800.00

NOTE: Indicator stand mount bracket works with 120/120 Plus, 882IS/882IS Plus, 882IS/882IS Plus w/battery, 880/880 Plus, 480/480 Plus, 482/482 Plus, 680 Synergy

## Dimensions

Caster Portability Frame	
<b>2.5 × 2.5 ft (1,000 to 5,000 lb)</b>	
A	33.92
B	33.92
C	30.75
D	30.75
<b>3 × 3 ft (1,000 to 5,000 lb)</b>	
A	39.92
B	39.92
C	36.75
D	36.75
<b>4 × 4 ft (1,000 to 5,000 lb)</b>	
A	51.92
B	51.92
C	48.75
D	48.75
<b>4 × 4 ft (10,000 lb)</b>	
A	51.92
B	51.92
C	48.75
D	48.75

Note: 1 in=25.4 mm

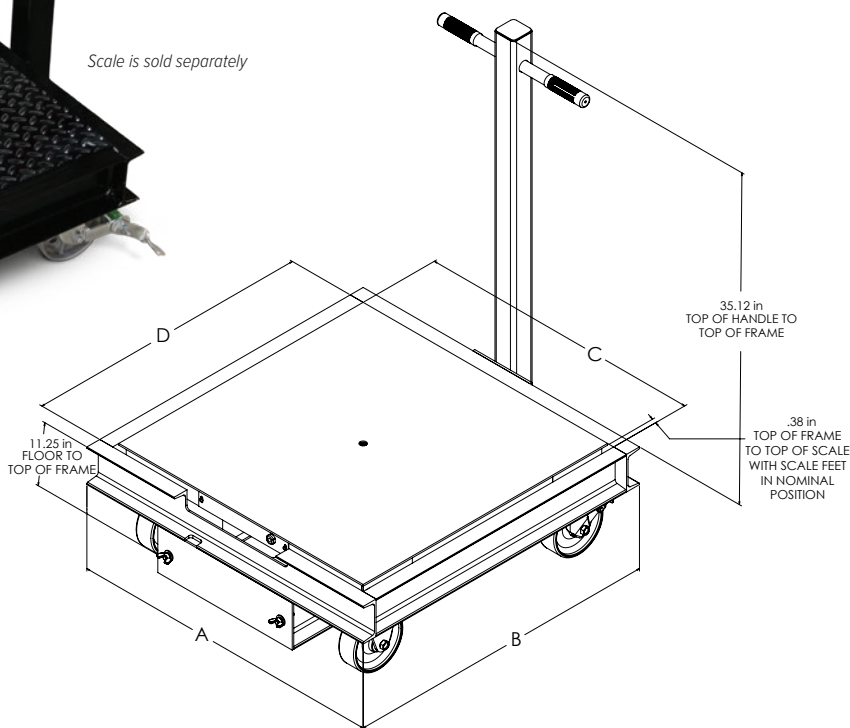
# RoughDeck® HP

Caster SENDit Portability Frames, Non-NTEP

FLOOR SCALES



Scale is sold separately



## Standard Features

- Wireless connection from scale to operator display
- Works with any basic digital weight indicator
- Excitation to the load cell(s) provided by the transmitter, not the indicator
- Each transmitter/receiver set is individually paired and will not interfere with another set
- Transmitter excitation voltage: +4.8 VDC, 16 × 350 ohm or 32 × 700 ohm load cells

## Part Number/Price

Part #	Size (W × L)	Est. Weight	Price
<b>RoughDeck HP Caster Portability Frame</b>			
210902	2.5 × 2.5 ft, up to 5,000 lb capacity, two rigid forged steel caster on front, two swivel forged steel caster on back with drawer for SENDit, frame only	315 lb	\$2,700.00
210903	3 × 3 ft, up to 5,000 lb capacity, two rigid forged steel caster on front, two swivel forged steel caster on back with drawer for SENDit, frame only	330 lb	\$2,700.00
210904	4 × 4 ft, up to 5,000 lb capacity, two rigid forged steel caster on front, two swivel forged steel caster on back with drawer for SENDit, frame only	355 lb	\$2,700.00
210905	4 × 4 ft, up to 10,000 lb capacity, two rigid forged steel caster on front, two swivel forged steel caster on back with drawer for SENDit, frame only	355 lb	\$3,150.00
<b>SENDit Wireless Electronics Kit</b>			
210898	SENDit wireless load cell interface kit, non-NTEP, indicator not included (customer to supply)	-	\$3,350.00

## Options/Accessories

Part #	Description	Price
162173	Battery, 6 V SLA	\$155.00

## Dimensions

Scale Size	2.5 × 2.5 ft	3 × 3 ft	4 × 4 ft
A	33.92 in	39.92 in	51.92 in
B	33.92 in	39.92 in	51.92 in
C	30.75 in	36.75 in	48.75 in
D	30.75 in	36.75 in	48.75 in

Note: 1 in=25.4 mm

# RoughDeck® HP

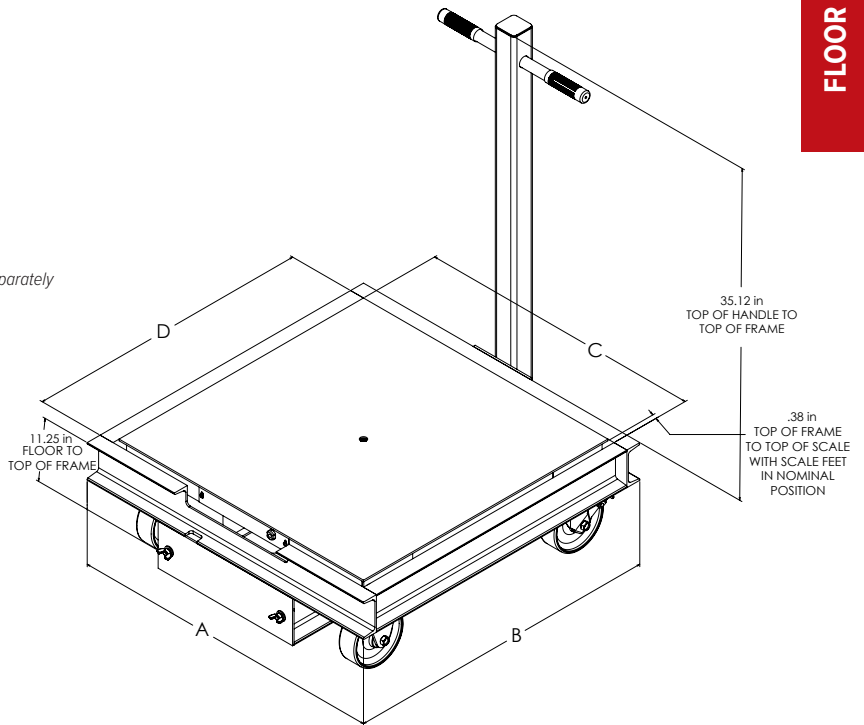
Caster SENDit Portability Frames, NTEP



## Standard Features

- Wireless connection from scale to operator display
- Excitation to the load cell(s) provided by the transmitter, not the indicator
- Each transmitter/receiver set is individually paired and will not interfere with another set
- Transmitter excitation voltage: +4.8 VDC, 16 × 350 ohm or 32 × 700 ohm load cells
- Estimated battery life of 100 hours
- Two set-points with red/green display for operator verification
- Optional audible alarm

FLOOR SCALES



## Approvals



## Part Number/Price

Part #	Size (W × L)	Est. Weight	Price
<b>RoughDeck HP Caster Portability Frame</b>			
210902	2.5 × 2.5 ft, up to 5,000 lb capacity, two rigid forged steel caster on front, two swivel forged steel caster on back with drawer for SENDit, frame only	315 lb	\$2,700.00
210903	3 × 3 ft, up to 5,000 lb capacity, two rigid forged steel caster on front, two swivel forged steel caster on back with drawer for SENDit, frame only	330 lb	\$2,700.00
210904	4 × 4 ft, up to 5,000 lb capacity, two rigid forged steel caster on front, two swivel forged steel caster on back with drawer for SENDit, frame only	355 lb	\$2,700.00
210905	4 × 4 ft, up to 10,000 lb capacity, two rigid forged steel caster on front, two swivel forged steel caster on back with drawer for SENDit, frame only	355 lb	\$3,150.00
<b>SENDit Wireless Electronics Kit</b>			
210899	SENDit wireless load cell interface kit, NTEP, includes one 8004HD display	-	\$4,215.00

## Options/Accessories

Part #	Description	Price
162173	Battery, 6 V SLA	\$155.00

## Dimensions

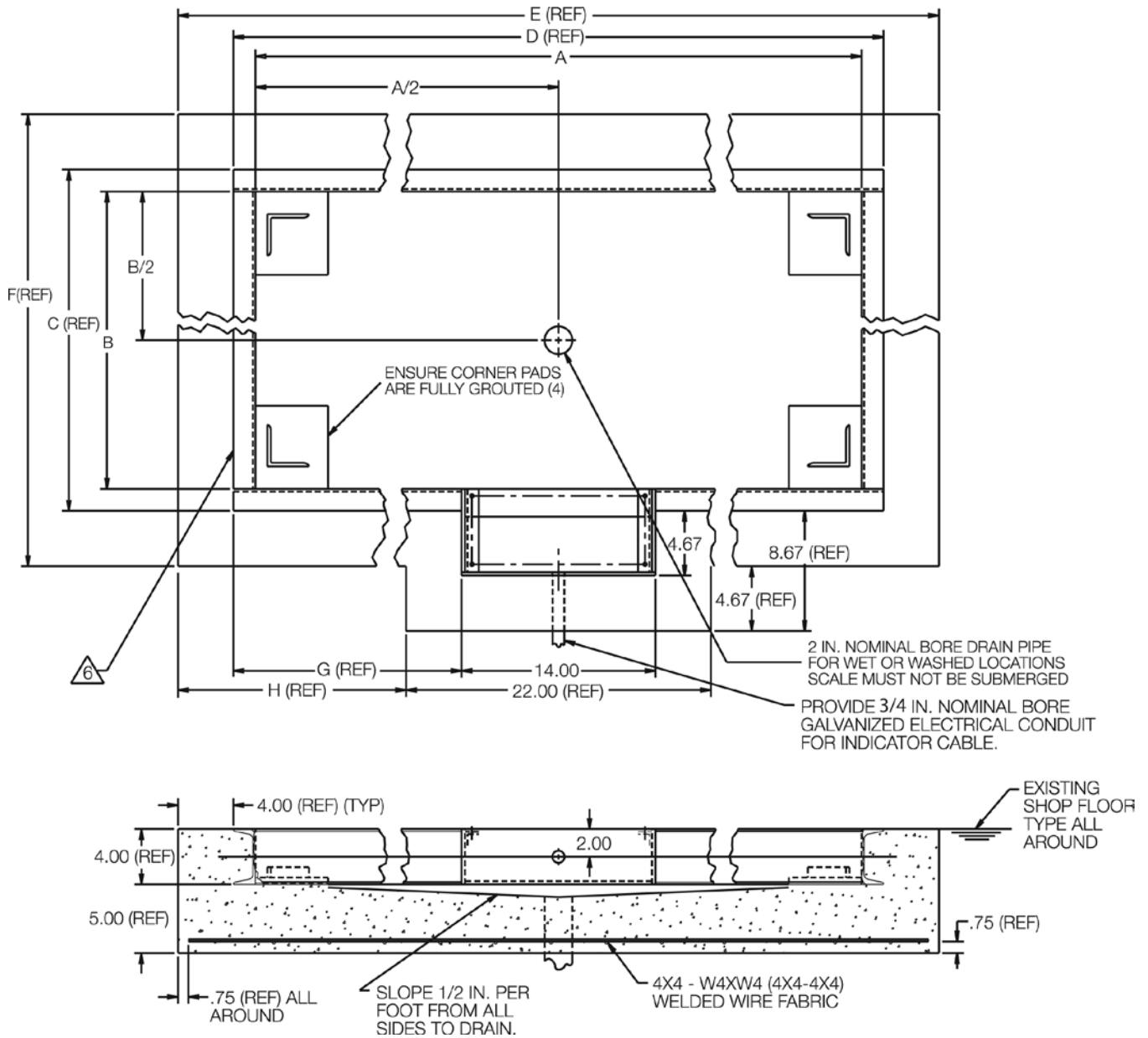
Scale Size	2.5 × 2.5 ft	3 × 3 ft	4 × 4 ft
A	33.92 in	39.92 in	51.92 in
B	33.92 in	39.92 in	51.92 in
C	30.75 in	36.75 in	48.75 in
D	30.75 in	36.75 in	48.75 in

Note: 1 in=25.4 mm

# RoughDeck® HP, SS & HE

Pit Frame Concrete Details\*

FLOOR SCALES



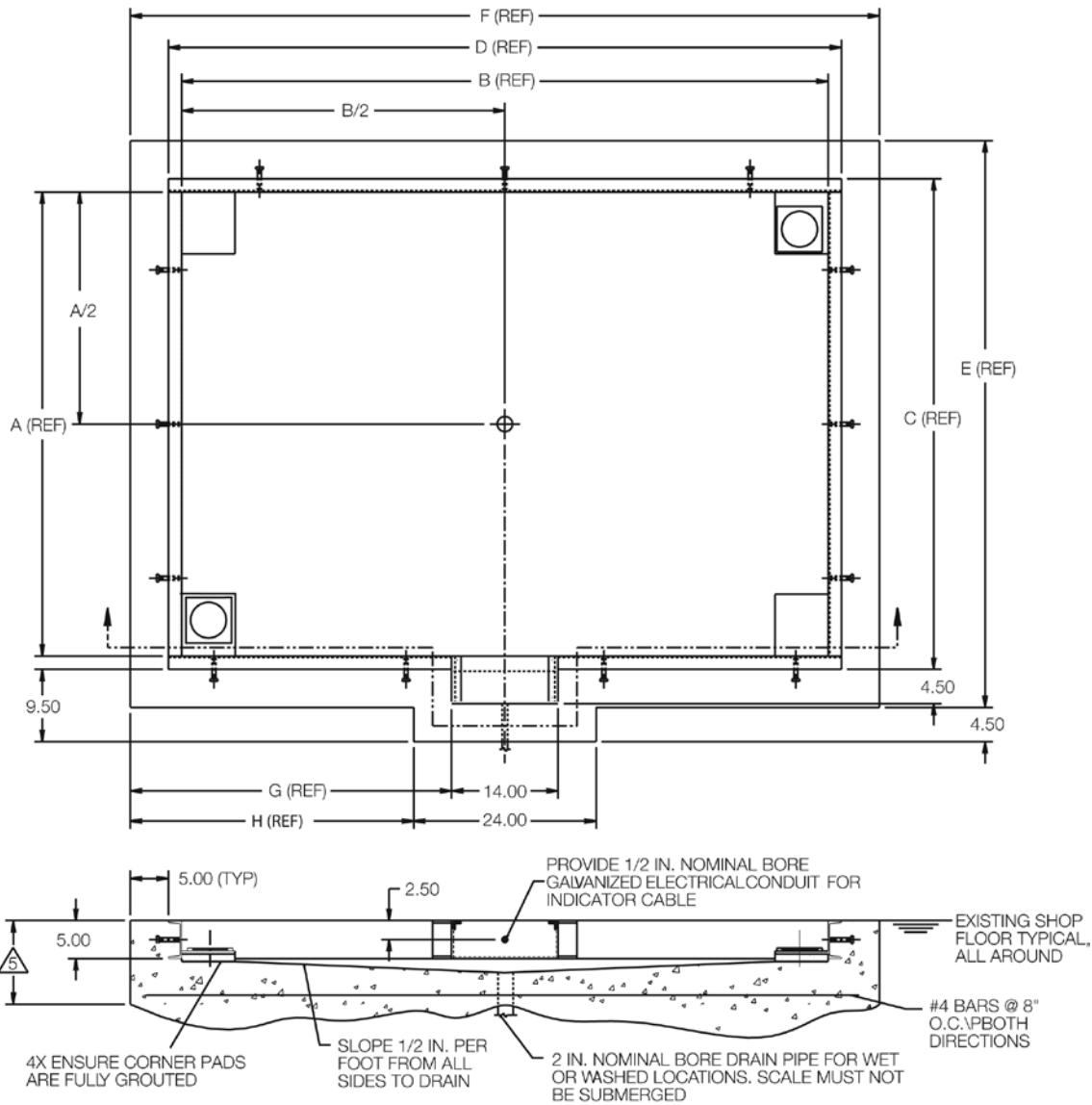
## Dimensions

Scale Size	2.5 × 2.5 ft	3 × 3 ft	4 × 4 ft	5 × 5 ft	4 × 5 ft	4 × 6 ft	5 × 6 ft	5 × 7 ft
A	30.75	36.75	48.75	60.75	60.75	72.75	72.75	84.75
B	30.75	36.75	48.75	60.75	48.75	48.75	60.75	60.75
C	33.92	39.92	51.92	63.92	51.92	51.92	63.92	63.92
D	33.92	39.92	51.92	63.92	63.92	75.92	75.92	87.92
E	41.92	47.95	59.92	71.92	71.92	83.92	83.92	95.92
F	41.92	47.95	59.92	71.92	59.92	59.92	71.92	71.92
G	9.96	12.96	18.96	24.96	24.96	30.96	30.96	36.96
H	9.96	12.96	18.96	24.96	24.96	30.96	30.96	36.96

All dimensions are shown in inches. Drawing #S2944-Rev. D

\* Drawings are for standard catalog part numbered scales.

1. Use concrete of minimum yield strength 5,000 PSI or 6-bag mix.
  2. Allow 7 days to cure (wet concrete periodically during this time).
  3. Dimensions shown assume firm, stable soil conditions. When soil conditions are not adequate, place foundation at sufficient depth.
  4. In wet or washdown applications, we recommend the use of hermetically sealed load cells, and that junction box be mounted remotely in a dry location.
  5. Wire mesh to have minimum 0.75 in cover bottom and sides.
6. On stainless steel versions, two pieces of 2 in angle will be substituted for 4 in channel.



## Dimensions

Scale Size	4 × 4 ft	4 × 5 ft	4 × 6 ft	4 × 7 ft	5 × 5 ft	5 × 6 ft	5 × 7 ft
A	49.00	49.00	49.00	49.00	61.00	61.00	61.00
B	49.00	61.00	73.00	85.00	61.00	73.00	85.00
C	52.50	52.50	52.50	52.50	64.50	64.50	64.50
D	52.50	64.50	76.50	88.50	64.50	76.50	88.50
E	62.50	62.50	62.50	62.50	74.50	74.50	74.50
F	62.50	74.50	86.50	98.50	74.50	86.50	98.50
G	24.25	30.25	36.25	42.25	30.25	36.25	42.25
H	19.25	25.25	31.35	37.25	25.25	31.35	37.25

Scale Size	6 × 6 ft	6 × 7 ft	6 × 8 ft	7 × 9 ft	7 × 10 ft	8 × 10 ft
A	73.00	73.00	73.00	85.00	85.00	97.00
B	73.00	85.00	97.00	109.00	121.00	121.00
C	76.50	76.50	76.50	88.50	88.50	100.50
D	76.50	88.50	100.50	112.50	124.50	124.50
E	86.50	86.50	86.50	98.50	98.50	110.50
F	86.50	98.50	110.50	122.50	134.50	134.50
G	36.25	42.25	48.25	54.25	60.25	60.25
H	31.25	37.25	43.25	49.25	55.25	55.25

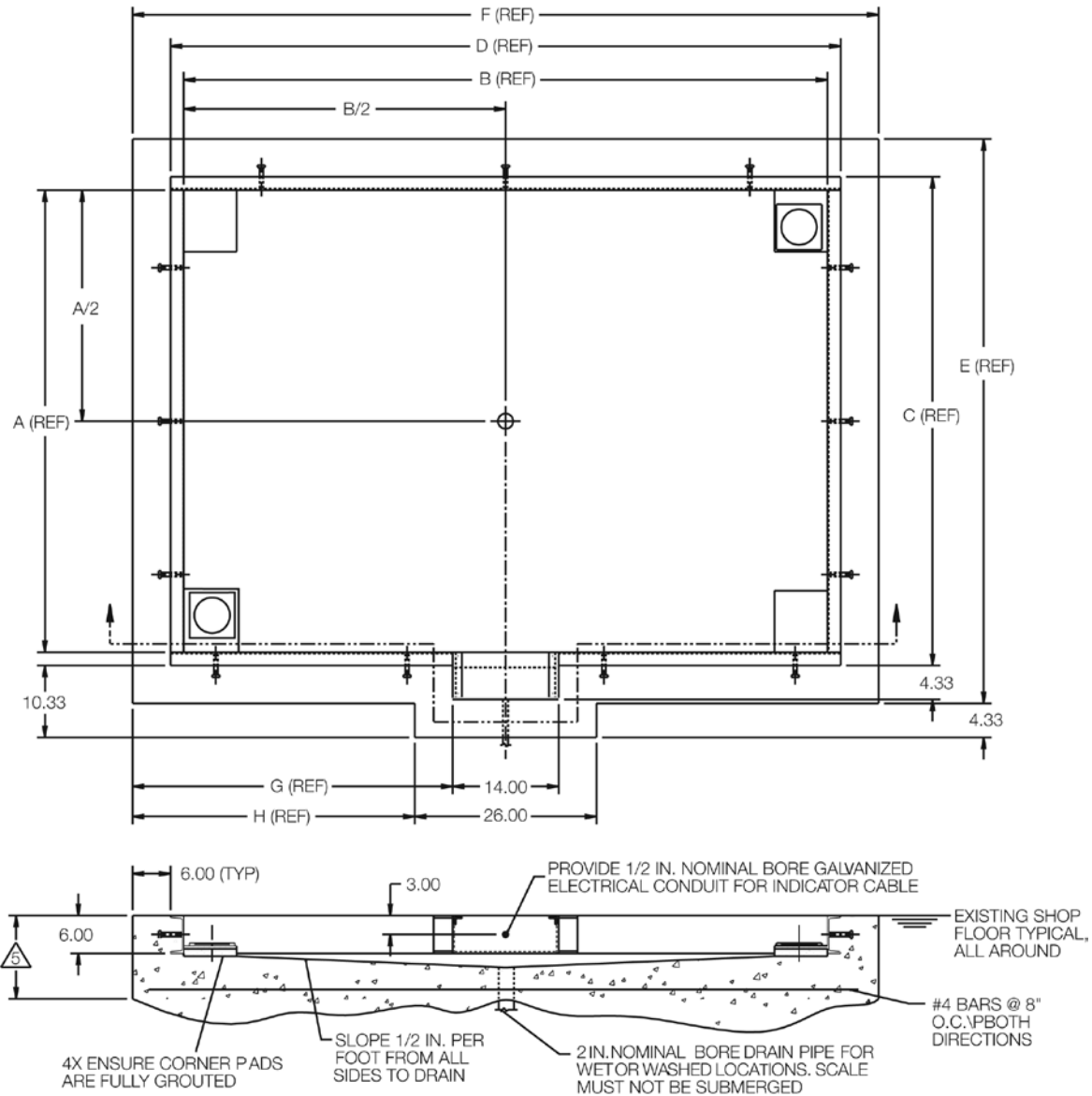
1. Use concrete of minimum yield strength 5,000 PSI or 6-bag mix.
2. Allow 7 days to cure (wet concrete periodically during this time).
3. Before installing pit frame, ensure that proper sand (or soil) base is available under either existing concrete or new installation.
4. In wet or washdown applications, we recommend use of hermetically sealed load cells, and that junction box be mounted remotely in a dry location.
5. For required depth of slab, or rebar requirements specific to your application: proper engineering consultation is recommended.

All dimensions are shown in inches. Drawing #S2944A–Rev. A  
 \* Drawings are for standard catalog part numbered scales.

# RoughDeck® HP-H

Pit Frame Concrete Details\* – 30,000 lb Capacity

FLOOR SCALES

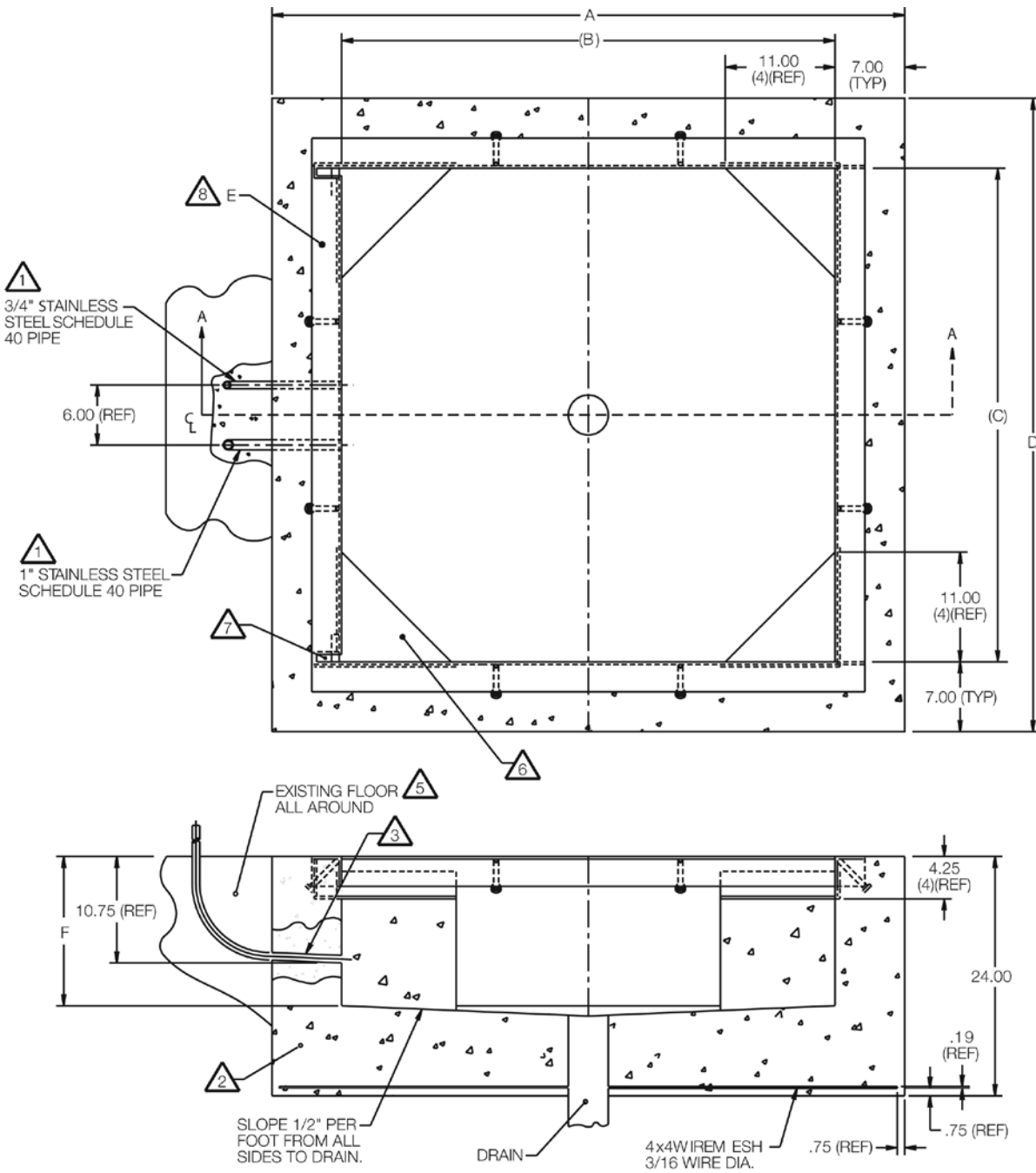


## Dimensions

Scale Size	4 × 4 ft	5 × 4 ft	6 × 4 ft	7 × 4 ft	5 × 5 ft	6 × 5 ft	7 × 5 ft	Scale Size	6 × 6 ft	7 × 6 ft	8 × 6 ft	9 × 7 ft	10 × 7 ft	10 × 8 ft
A	49.00	49.00	49.00	49.00	61.00	61.00	61.00	A	73.00	73.00	73.00	85.00	85.00	97.00
B	49.00	61.00	73.00	85.00	61.00	73.00	85.00	B	73.00	85.00	97.00	109.00	121.00	121.00
C	52.84	52.84	52.84	52.84	64.84	64.84	64.84	C	76.84	76.84	76.84	88.84	88.84	100.84
D	52.84	64.84	76.84	88.84	64.84	76.84	88.84	D	76.84	88.84	100.84	112.84	124.84	124.84
E	64.84	64.84	64.84	64.84	76.84	76.84	76.84	E	88.84	88.84	88.84	100.84	100.84	112.84
F	64.84	76.84	88.84	100.84	76.84	88.84	100.84	F	88.84	100.84	112.84	112.84	136.84	136.84
G	25.42	31.42	37.42	43.42	31.42	37.42	43.42	G	37.42	43.42	49.42	55.42	61.42	61.42
H	19.42	25.42	31.42	37.42	25.42	31.42	37.42	H	31.42	37.42	43.42	49.42	55.42	55.42

1. Use concrete of minimum yield strength 5,000 PSI or 6-bag mix.
  2. Allow 7 days to cure (wet concrete periodically during this time).
  3. Before installing pit frame, ensure that proper sand (or soil) base is available under either existing concrete or new installation.
  4. In wet or washdown applications, we recommend the use of hermetically sealed load cells, and that junction box be mounted remotely in a dry location.
5. For required depth of slab, or rebar requirements specific to your application: proper engineering consultation is recommended.

All dimensions are shown in inches. Drawing #S2944B-Rev. A  
 \* Drawings are for standard catalog part numbered scales.



### Dimensions

Scale Size	4 × 4 ft	5 × 5 ft
A	63.06	75.06
B	49.06	61.06
C	49.00	61.06
D	63.00	75.00
E (PN)	41936	41397
F	15.00	16.75

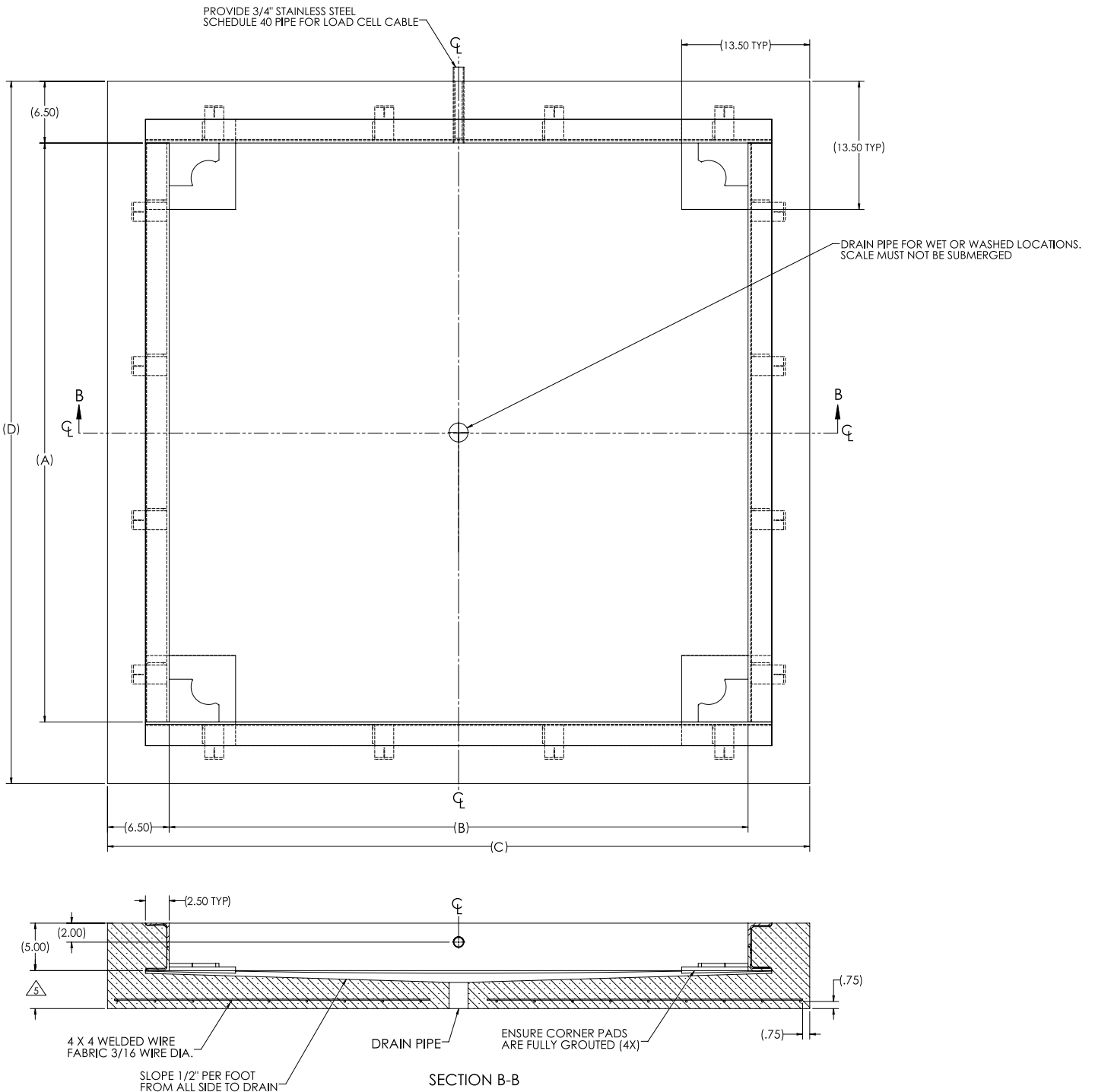
All dimensions are shown in inches. Drawing #S5158-Rev. B.  
 \* Drawings are for standard catalog part numbered scales.

- 1 Length of pipe is determined on site.
- 2 Use concrete of minimum yield strength 5,000 PSI or 6-bag mix.
- 3 Slope pipe slightly for water drainage.
- 4 Allow concrete 7 days to cure (wet concrete periodically during this time).
- 5 Tie pit in with existing floor with rebar if required.
- 6 Ensure underside is supported with concrete or grout (plate is an integral part of frame).
- 7 Keep pocket free of concrete.
- 8 Coping must sit level in floor to allow proper operation of scale.

# RoughDeck® QC-X

Pit Frame Concrete Details\*

FLOOR SCALES



## Dimensions

Dimensions				
Scale Size	A	B	C	D
4 x 4 ft	49.00	49.00	62.00	62.00
5 x 5 ft	61.00	61.00	74.00	74.00

All dimensions are shown in inches.

\* Drawings are for standard catalog part numbered scales.

1. Use concrete of minimum yield strength 5,000 PSI or 6-bag mix.
2. Allow 7 days to cure (wet concrete periodically during this time).
3. Before installing pit frame, ensure that proper sand (or soil) base is available under either existing concrete or new installation.
4. In wet or washdown applications, we recommend the use of hermetically sealed load cells.

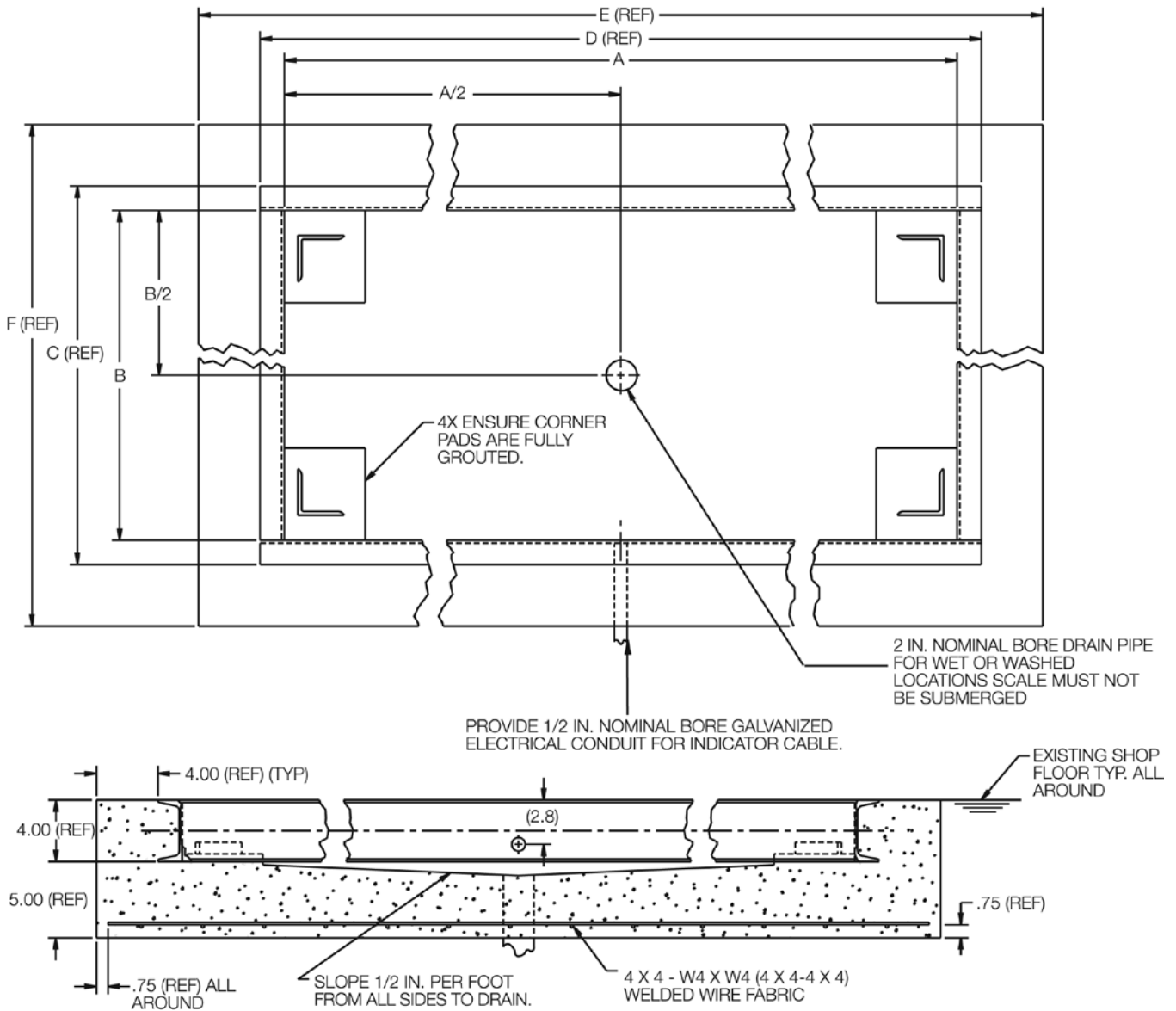
⚠ For required depth of slab, or rebar requirements specific to your application, proper engineering consultation is recommended.



# Summit® 3000

Pit Frame Concrete Details\*

FLOOR SCALES



## Dimensions

Scale Size	3 × 3 ft	4 × 4 ft	4 × 5 ft	4 × 6 ft	5 × 5 ft
A	36.75	48.75	60.75	72.75	60.75
B	36.75	48.75	48.75	48.75	60.75
C	39.92	51.92	51.92	51.92	63.92
D	39.92	51.92	63.92	75.92	63.92
E	47.92	59.92	71.92	83.92	71.92
F	47.92	59.92	59.92	59.92	71.92

All dimensions are shown in inches. Drawing #S77687.

\* Drawings are for standard catalog part numbered scales.

1. Use concrete of minimum yield strength 5,000 PSI or 6-bag mix.
2. Allow 7 days to cure (wet concrete periodically during this time).
3. Dimensions shown assume firm, stable soil conditions. When soil conditions are not adequate, place foundation at sufficient depth.
4. In wet or washdown applications, we recommend the use of hermetically sealed load cells and that the junction box be mounted remotely in a dry location.
5. Wire mesh to have minimum 0.75 in cover bottom and sides.