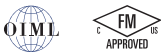




Picture is a representation of actual product

### Approvals

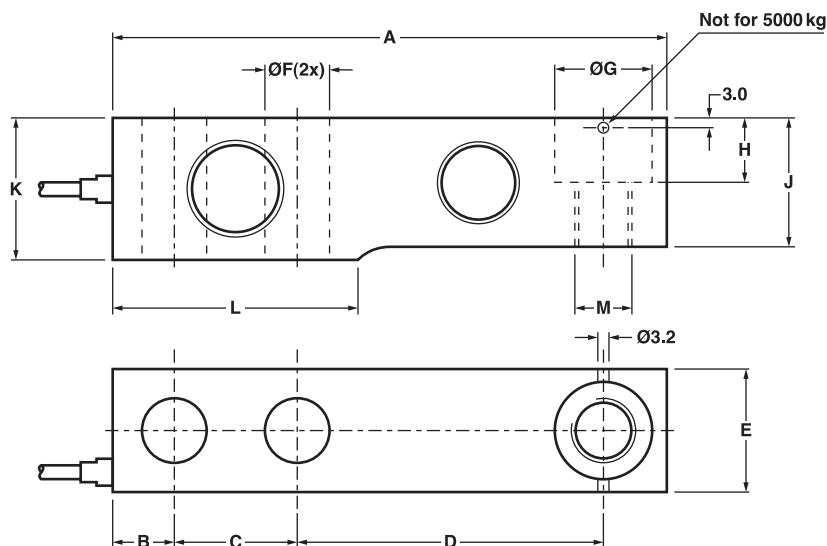


### Order Information

Load Rating	Part #	Est. Weight	Price
500 kg	<b>166750</b>	2 lb	Consult
1,000 kg	<b>166751</b>	2 lb	Consult
2,000 kg	<b>166752</b>	3 lb	Consult
5,000 kg	<b>166753</b>	4 lb	Consult

### Dimensions

Rated Capacity	A	B	C	D	E	F	G	H	J	K	L	M
kg/mm												
500	130.0	15.5	25.4	76.2	31.8	13.0	20.5	14.2	26	31.8	57.1	M12
1,000	130.0	15.5	25.4	76.2	31.8	13.0	20.5	14.2	28	31.8	57.1	M12
2,000	130.0	15.5	25.4	76.2	31.8	13.0	20.5	14.2	32	35.8	57.1	M12
5,000	172.0	19.1	38.1	95.3	38.0	20.5	30.2	20.0	40	44.0	76.2	M20



### Specifications

#### Full Scale Output:

2mV/V

#### Output Resistance:

1,000 (± 10) ohm

#### Input Resistance:

1,000 (± 50) ohm

#### Material/Finish:

Stainless steel

#### Temperature:

Compensated range

14 °F to 104 °F (-10 °C to 40 °C)

Operating range

0 °F to 150 °F (-18 °C to 65 °C)

#### Seal Type:

Hermetically sealed, IP68

#### Safe Overload:

150% full scale

#### Rated Excitation:

5 to 12 VDC

#### Combined Error:

0.02%

#### Insulation Resistance:

5,000 megohm

#### Cable Length:

500 to 1,000 kg: 3 m

2,000 to 5,000 kg: 6 m

#### Cable Color Code:

Green +Excitation

Black -Excitation

White +Signal

Red -Signal

Yellow +Sense

Blue -Sense

#### Warranty:

One-year limited

#### Approvals:

cFMus

OIML