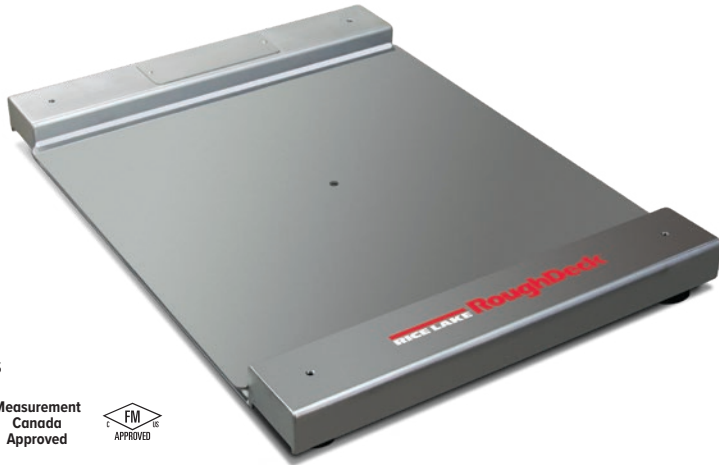


RoughDeck® BDP Stainless Steel

Barrel, Drum, Pallet Scale - Stationary Model



Approvals



Measurement
Canada
Approved



Part Number/Price

| Part # | Size (W × LW) | Capacity (Canadian Approved Capacities) | Est. Weight | Price |
|--------------|--------------------------------|---|-------------|---------|
| 77967 | 30 × 31 in | 1,000 lb (500 kg) | 205 lb | Consult |
| 77968 | 30 × 31 in | 2,500 lb (1,000 kg) | 205 lb | Consult |
| 77969 | 36 × 37 in | 1,000 lb (500 kg) | 265 lb | Consult |
| 77970 | 36 × 37 in | 2,500 lb (1,000 kg) | 265 lb | Consult |
| Part # | Size (W × LW) | Ramp Angle of Incline | Est. Weight | Price |
| Access Ramps | | | | |
| 78013 | 30 × 12 in (sold individually) | 7.2° | 25 lb | Consult |
| 78014 | 36 × 12 in (sold individually) | 7.2° | 30 lb | Consult |

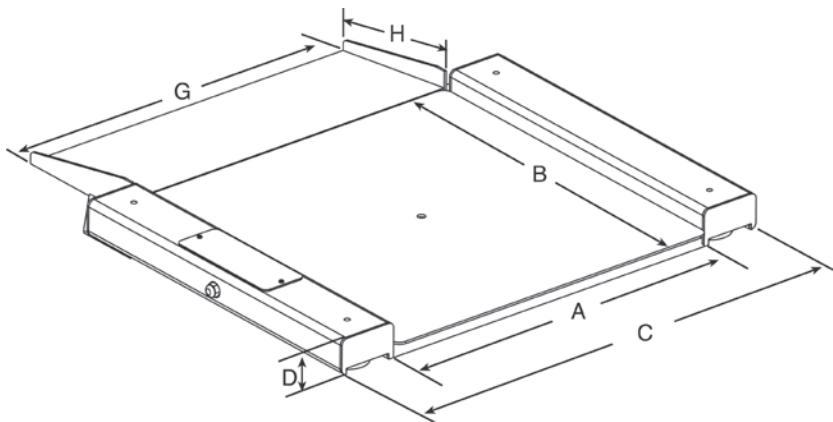
Options/Accessories

| Part # | Description | Price |
|---------|--|---------|
| 18778 | Floor anchor plates, stainless steel, set of 2 (for use with static scale, without ramps) | Consult |
| 28740 | Floor stand for indicator, 36.3 in high, stainless steel (for use with static scale) | Consult |
| Consult | Stainless steel deck with RL32218S-HE hermetically sealed IP69K stainless steel (cFMus approved) load cells and hardware | Consult |
| Consult | Stainless steel diamond treadplate safety deck | Consult |
| 214614 | Back stop and mounting hardware for 30 in wide scale | Consult |
| 214615 | Back stop and mounting hardware for 36 in wide scale | Consult |

Dimensions

| RoughDeck BDP stainless steel with access ramp | | | |
|--|---------|---|---------|
| 30 × 31 in models | | | |
| A | 30.0 in | D | 3.31 in |
| B | 31.0 in | G | 30.0 in |
| C | 40.0 in | H | 12.0 in |
| 36 × 37 in models | | | |
| A | 36.0 in | D | 3.31 in |
| B | 37.0 in | G | 36.0 in |
| C | 46.0 in | H | 12.0 in |

Distance from floor to top of center weighing surface: 1.625 in
Distance from floor to bottom of weighing surface: 0.31 in
Note: 1 in=25.4 mm



Shown with optional diamond treadplate and backstop

Standard Features

- Live side rails
- Top-access foot adjustment holes
- Four adjustable stainless steel SUREFOOT™ support feet
- Smooth top plate
- Stainless steel, IP66 load cells

Specifications

End Load Capacity:

- 1,000 lb: 100% full scale
- 2,500 lb: 80% full scale

Cable Length:

10 ft (3 m)

Scale Weldment:

AISI304L, glass bead blasted for even appearance

Junction Box:

TuffSeal® JB4SS stainless steel, NEMA Type 4X junction box with signal trim card

Welding:

Stitch, consult factory if continuous is required

Threaded Eyebolt:

Holes are 1/2-13 threaded for lifting scale

Warranty (limited):

Weldment: Five years
Load cells: Two years
All other components: One year

Approvals:

NTEP CC 03-060, Class III 2,500 d
Measurement Canada AM-5578
(500 kg) Class III 2,500 d
(1,000 kg) Class III 2,000 d

