

# Load Cells / Weigh Modules

## TABLE OF CONTENTS

|  |  |  |
|--|--|--|
| <b>SURVIVOR® Paramounts® HE</b> ..... 631  | <b>EZ Mount 1 with RL7000SS</b> ..... 667  | <b>RL32018S</b> ..... 693  |
| <i>Medium-capacity Weigh Module Systems</i>  | <i>Stainless Steel Weigh Modules, Rice Lake Weighing Systems</i>   | <i>Stainless Steel, Environmentally Sealed, NTEP Certified 1:5,000 Class III Multiple Cell, IP66</i>         |
| <b>RL1700 HE</b> ..... 632   | <b>EZ Mount 1 with Painted RL70000</b> ..... 668   | <b>RL32018S-P</b> ..... 694  |
| <i>Light- to Medium-capacity Weigh Modules</i>   | <i>Rice Lake Weighing Systems</i>  | <i>Stainless Steel, Hermetically Sealed, IP69K</i>   |
| <b>RL1600 HE</b> ..... 633   | <b>EZ Mount 1 HE</b> ..... 669   | <b>RL32018S-HE</b> ..... 695   |
| <i>Medium-capacity Weigh Modules</i>   | <i>Stainless Steel Weigh Modules, Rice Lake Weighing Systems</i>   | <i>Stainless Steel, Hermetically Sealed, NTEP Certified 1:5,000 Class III Multiple Cell, IP69K</i>           |
| <b>RL1855 HE-HS</b> ..... 634  | <b>RL1600 Series</b> ..... 670   | <b>RL32019S-HE</b> ..... 696   |
| <i>Medium-capacity Weigh Modules</i>   | <i>Cast Iron Weigh Modules</i>   | <i>Stainless Steel, Hermetically Sealed, NTEP Certified 1:5,000 Class III Multiple Cell, IP69K</i>           |
| <b>RL2100 HE</b> ..... 635   | <b>RL1600 Series</b> ..... 671   | <b>RL32218S-HE</b> ..... 697   |
| <i>Heavy-capacity Weigh Modules</i>  | <i>Mild Steel Weigh Modules</i>  | <i>Stainless Steel, Hermetically Sealed, NTEP Certified 1:5,000 Class III Multiple Cell, IP69K</i>           |
| <b>ITCM</b> ..... 636  | <b>RL1600 Series SS</b> ..... 673  | <b>RL9018SS</b> ..... 698  |
| <i>Isolated Tension Cell Modules</i>   | <i>Stainless Steel Weigh Modules</i>   | <i>Stainless Steel, Hermetically Sealed, NTEP Certified 1:4,000S/1:5,000M, OIML C3, IP68/IP69K</i>           |
| <b>ITCM SS</b> ..... 637   | <b>RL1600 Series Painted Load Cell Version</b> ..... 675   | <b>RL30000I</b> ..... 699  |
| <i>Stainless Steel Isolated Tension Cell Modules</i>   | <i>Stainless Steel Weigh Modules</i>   | <i>Alloy Steel, Environmentally Sealed, NTEP Certified 1:5,000 III L Class III Multiple Cell, IP67</i>       |
| <b>ITCM HE</b> ..... 638   | <b>MVS Mount/MVS</b> ..... 676   | <b>RL30002 Thru Hole</b> ..... 700   |
| <i>Stainless Steel, Welded Seal, NTEP Certified Isolated Tension Cell Modules</i>  | <i>Conversion Kit</i>  | <i>Alloy Steel, Environmentally Sealed, NTEP Certified 1:5,000 III L Class III Multiple Cell, IP67</i>       |
| <b>RL50210TA</b> ..... 639   | <b>Translink™ Parallel Link</b> ..... 677  | <b>RLH35</b> ..... 701   |
| <i>Mini Tank Weighing Module</i>   | <i>Truck Scale Assembly, Rice Lake Weighing Systems</i>  | <i>Stainless Steel, Welded Seal, NTEP Certified 1:5,000 Class III L Multiple Cell, IP67</i>                  |
| <b>65059</b> ..... 641   | <b>Motor Truck Scale</b>   | <b>RL39123</b> ..... 702   |
| <i>Mini Tank Weighing Module, VPG Sensortronics</i>  | <b>Electronic Conversion Kit</b> ..... 678   | <i>Stainless Steel, Environmentally Sealed, IP67</i>   |
| <b>RL50219SS-TA</b> ..... 643  | <i>Rice Lake Weighing Systems</i>  | <b>RL32018S-T</b> ..... 703  |
| <i>Mini Tank Weighing Module, Stainless Steel Environmentally Protected, Mild Steel, Light- to Medium-capacity Tank Weighing Systems</i> | <b>MagnaMount®</b> ..... 679   | <i>Stainless Steel, Hermetically Sealed, NTEP Certified, 1:5,000 Class III Multiple Cell, IP69K</i>          |
| <b>Paramounts® HS</b> ..... 645  | <i>Tank, Truck and Railroad Track Assembly</i>   | <b>RL30745</b> ..... 704   |
| <i>Hermetically Sealed, Mild Steel, Light- to Medium-capacity Tank Weighing Systems</i>  | <b>Mettler Toledo® DigiTOL® Retrofit Kit</b> ..... 680   | <i>Stainless Steel, Welded Seal, NTEP Certified 1:5,000 Class III Multiple, IP67</i>                         |
| <b>RLBTM</b> ..... 646   | <i>Stainless Steel, Rice Lake Weighing Systems/Flintec</i>   | <b>RL35023S Painted</b> ..... 705  |
| <i>Mild Steel/Stainless Steel Weigh Modules</i>  | <b>Electronic Floor Scale Underdeck Kits</b> ..... 682   | <i>Stainless Steel, Environmentally Sealed, NTEP Certified 1:5,000 Class III Multiple Cell, IP67</i>         |
| <b>RL1800 Series</b> ..... 647   | <b>S-BEAM</b>  | <b>RLHTO</b> ..... 706   |
| <i>Mild Steel/Stainless Steel Weigh Modules</i>  | <b>RL20000I</b> ..... 683  | <i>Stainless Steel, Hermetically Sealed, IP66/68</i>   |
| <b>RL1800 Series Painted Load Cell Version</b> ..... 648   | <i>Alloy Steel, Environmentally Sealed, NTEP Certified 1:5,000 III/1:10,000 III L, IP67</i>                  | <b>RLSSB</b> ..... 707   |
| <i>Stainless Steel Weigh Modules</i>   | <b>RL20000SS</b> ..... 684   | <i>Stainless Steel, Welded Seal, NTEP Certified 1:5,000 Class III Multiple Cell, IP67</i>                    |
| <b>RL1900 Series</b> ..... 649   | <i>Stainless Steel, Environmentally Sealed, NTEP Certified 1:10,000 Class III L Single Cell, IP67</i>        | <b>RLSB250/RLSB250T</b> ..... 708  |
| <b>RLTM</b> ..... 650  | <b>RL20000ST</b> ..... 685   | <i>Stainless Steel, Environmentally Sealed, IP67</i>   |
| <i>Stainless Steel Tank Weigh Modules</i>  | <i>Stainless Steel, Environmentally Sealed, NTEP Certified 1:10,000 Class III L Single Cell, IP67</i>        | <b>RL50219SS</b> ..... 709   |
| <b>RL9000TWM Series</b> ..... 651  | <b>RL20001I</b> ..... 686  | <i>Stainless Steel, Environmentally Sealed, IP67</i>   |
| <i>Stainless Steel, Tank, Hopper and Vessel Weighing Assembly</i>  | <i>Alloy Steel, Environmentally Sealed, NTEP Certified Single Cell 1:5,000 III/1:10,000 III L, IP67</i>      | <b>RL50210</b> ..... 710   |
| <b>RL9000TWM-HT</b> ..... 654  | <b>RL20001HE</b> ..... 687   | <i>Alloy Steel, Environmentally Sealed, IP65</i>   |
| <i>Tank, Hopper and Vessel Weigh Module</i>  | <i>Stainless Steel, Welded Seal, NTEP Certified 1:5,000 Class III/1:10,000 Class III L Single Cell, IP68</i> | <b>RL60040SST</b> ..... 711  |
| <b>RL2200 Series</b> ..... 655   | <b>RELETS</b> ..... 688  | <i>Stainless Steel, Environmentally Sealed, IP65</i>   |
| <i>Tank, Hopper and Vessel Weighing Assembly</i>   | <i>Alloy Steel, Environmentally Sealed, OIML C3, IP67</i>  | <b>RL40BBS</b> ..... 712   |
| <b>RL2200SS Series</b> ..... 657   | <b>SINGLE-ENDED BEAM</b>   | <i>Alloy Steel, Environmentally Sealed, IP65</i>   |
| <i>Stainless Steel, Tank, Hopper and Vessel Weighing Assembly</i>  | <b>RL32022</b> ..... 689   | <b>RL32011WB-L</b> ..... 713   |
| <b>RLC</b> ..... 658   | <i>Alloy Steel, Environmentally Sealed, OIML C3, IP67</i>  | <i>Stainless Steel, Environmentally Sealed, NTEP Certified 1:5,000 Class III Multiple Cell, Potted, IP67</i> |
| <i>Stainless Steel Weigh Modules, VPG Revere</i>   | <b>RL32022S</b> ..... 690  | <b>RL32011WB-T</b> ..... 714   |
| <b>220 Universal Mount</b> ..... 659   | <i>Stainless Steel, Hermetically Sealed, OIML C3, IP69K</i>  | <i>Stainless Steel, Environmentally Sealed, NTEP Certified 1:5,000 Class III Multiple Cell, Potted, IP67</i> |
| <i>Stainless Steel Weigh Modules, VPG Tedeo-Huntleigh</i>  | <b>RL32018</b> ..... 691   |  |
| <b>EZ Mount 1 with RL72020</b> ..... 660   | <i>Alloy Steel, Environmentally Sealed, NTEP Certified 1:5,000 Class III Multiple Cell, IP66</i>             |  |
| <i>Mild Steel Weigh Modules, Rice Lake Weighing Systems</i>  | <b>RL32018 Painted</b> ..... 692   |  |
| <b>EZ Mount 1 SS with RL72020SS</b> ..... 662  | <i>Alloy Steel, Environmentally Sealed, NTEP Certified 1:5,000 Class III Multiple Cell, IP66</i>             |  |
| <i>Stainless Steel Weigh Modules, Rice Lake Weighing Systems</i>   |  |  |
| <b>EZ Mount 1 with Painted RL72020P</b> ..... 663  |  |  |
| <i>Rice Lake Weighing Systems</i>  |  |  |
| <b>EZ Mount 1 with RL70000</b> ..... 664   |  |  |
| <i>Mild Steel Weigh Modules, Rice Lake Weighing Systems</i>  |  |  |

Product names, logos, brands and other trademarks featured or referred to within this publication are the property of their respective trademark holders.

# Load Cells / Weigh Modules

LOAD CELLS /  
WEIGH MODULES

## DOUBLE-ENDED BEAM

|  |            |
|--|------------|
| <b>RL72020</b> .....   | <b>715</b> |
| <i>Alloy Steel, Environmentally Sealed, NTEP Certified<br/>1:5,000 Class III. Multiple Cell, IP67</i>                  |            |
| <b>RL72020SS</b> .....   | <b>716</b> |
| <i>Stainless Steel, Environmentally Sealed, NTEP Certified<br/>1:5,000 Class III. Multiple Cell, IP67</i>              |            |
| <b>RL72020P</b> .....  | <b>717</b> |
| <i>Alloy Steel, Environmentally Sealed, NTEP Certified<br/>1:5,000 Class III. Multiple Cell, IP67</i>                  |            |
| <b>RL72019SS</b> .....   | <b>718</b> |
| <i>Stainless Steel, Environmentally Sealed, IP68</i>   |            |
| <b>RL70000</b> .....   | <b>719</b> |
| <i>Alloy Steel, Environmentally Sealed, NTEP Certified<br/>1:10,000 Class III. Multiple Cell, IP67</i>                 |            |
| <b>RL70000 Painted</b> .....   | <b>720</b> |
| <i>Alloy Steel, Environmentally Sealed, IP67</i>   |            |
| <b>RL70000SS</b> .....   | <b>721</b> |
| <i>Stainless Steel, Environmentally Sealed, NTEP Certified<br/>1:5,000 Class III/1:10,000 III. Multiple Cell, IP67</i> |            |
| <b>RL75016</b> .....   | <b>722</b> |
| <i>Alloy Steel, Environmentally Sealed, IP67</i>   |            |
| <b>RL75016 Painted</b> .....   | <b>723</b> |
| <i>Alloy Steel, Environmentally Sealed, IP67</i>   |            |
| <b>RL75016SS</b> .....   | <b>724</b> |
| <i>Stainless Steel, Environmentally Sealed, IP67</i>   |            |
| <b>RL75016SS-W</b> .....   | <b>725</b> |
| <i>Stainless Steel, Welded Seal, IP67</i>  |            |
| <b>RL75016WHE</b> .....  | <b>726</b> |
| <i>Stainless Steel, Hermetically Sealed, IP69K</i>   |            |
| <b>RL75058I</b> .....  | <b>727</b> |
| <i>Alloy Steel, Environmentally Sealed, NTEP Certified<br/>1:10,000 Class III. Multiple Cell, IP67</i>                 |            |
| <b>RL75058I for Rice Lake Coil Scale</b> .....   | <b>728</b> |
| <i>Alloy Steel, Environmentally Sealed, NTEP Certified<br/>1:5,000 Class III Multiple Cell, IP67</i>                   |            |
| <b>RL75058-LP</b> .....  | <b>729</b> |
| <i>Alloy Steel, Environmentally Sealed, NTEP Certified<br/>1:10,000 Class III. Multiple Cell, IP67</i>                 |            |
| <b>RL75058S-LP</b> .....   | <b>730</b> |
| <i>Stainless Steel, Hermetically Sealed, NTEP Certified<br/>1:10,000 Class III. Multiple Cell, IP68/69K</i>            |            |
| <b>RL75060S</b> .....  | <b>731</b> |
| <i>Stainless Steel, Welded Seal, NTEP Certified<br/>1:5,000 III/1:10,000 Class III. Multiple Cell, IP67</i>            |            |
| <b>RL75223</b> .....   | <b>732</b> |
| <i>Alloy Steel, Welded Seal, NTEP Certified 1:10,000<br/>Class III. Multiple Cell, IP67</i>                            |            |
| <b>RLDB50000S</b> .....  | <b>733</b> |
| <i>Stainless Steel, Welded Seal, NTEP Certified<br/>1:10,000 III. Multiple Cell, IP67</i>                              |            |
| <b>RL75040</b> .....   | <b>734</b> |
| <i>Alloy Steel, Environmentally Sealed, NTEP Certified<br/>1:10,000 Class III. Multiple Cell, IP67</i>                 |            |

## COMPRESSION CANISTER

|   |            |
|---|------------|
| <b>RLCSP1</b> .....   | <b>735</b> |
| <i>Stainless Steel, Welded Seal, NTEP Certified<br/>1:10,000 Class III. Multiple Cell, IP67</i>         |            |
| <b>RL8C2P1SST</b> .....   | <b>736</b> |
| <i>Stainless Steel, Hermetically Sealed, NTEP Certified<br/>1:10,000 Class III. Multiple Cell, IP68</i> |            |
| <b>ROCKER COLUMN</b>  |            |
| <b>RLSCA-50K</b> .....  | <b>737</b> |
| <i>Stainless Steel, Welded Seal, NTEP Certified 1:10,000<br/>Class III. Multiple Cell, IP67</i>         |            |
| <b>RL70510-30t/RL80453-100,000 lb</b> .....   | <b>738</b> |
| <i>Stainless Steel, Hermetically Sealed, NTEP Certified<br/>1:10,000 Class III L, IP69K</i>             |            |
| <b>RL75114-50K</b> .....  | <b>739</b> |
| <i>Stainless Steel, Welded Seal, NTEP Certified 1:10,000<br/>Class III L, IP67</i>                      |            |

## COMPRESSION DISK

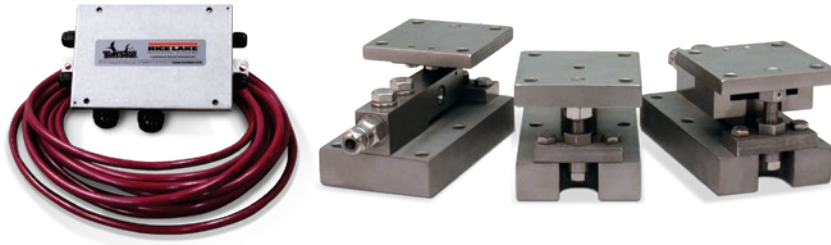
|  |            |
|--|------------|
| <b>RL90000</b> .....   | <b>740</b> |
| <i>Alloy Steel, Environmentally Sealed, IP67</i>   |            |
| <b>RLPC3SS</b> .....   | <b>741</b> |
| <i>Stainless Steel, Environmentally Sealed, NTEP Certified<br/>1:3,000 Class III Single Cell, IP67</i> |            |
| <b>RLPC4SS-HE</b> .....  | <b>742</b> |
| <i>Stainless Steel, Hermetically Sealed, NTEP Certified<br/>1:5,000 Class III Single Cell, IP68</i>    |            |
| <b>SINGLE POINT</b>  |            |
| <b>RLPC6</b> .....   | <b>743</b> |
| <i>Stainless Steel, Hermetically Sealed, NTEP Certified<br/>1:5,000 Class III Single Cell, IP69K</i>   |            |
| <b>RLPWM15HE</b> .....   | <b>744</b> |
| <i>Stainless Steel, Hermetically Sealed, NTEP Certified<br/>1:5,000 Class III Single Cell, IP69K</i>   |            |
| <b>RLPWM15</b> .....   | <b>745</b> |
| <i>Stainless Steel, Environmentally Sealed, NTEP Certified<br/>1:5,000 Class III Single Cell, IP67</i> |            |
| <b>RLPCBC-60</b> .....   | <b>746</b> |
| <i>Stainless Steel, Hermetically Sealed, NTEP Certified<br/>1:5,000 Class III Single Cell, IP69K</i>   |            |
| <b>RL1521A</b> .....   | <b>747</b> |
| <i>Aluminum, Environmentally Sealed, NTEP Certified 1:5,000<br/>Class III Single Cell, IP66</i>        |            |
| <b>RL1010</b> .....  | <b>748</b> |
| <i>Aluminum, NTEP Certified 1:5,000 Class III Single Cell,<br/>Potted and Unpotted, IP65/IP67</i>      |            |
| <b>RLSP4</b> .....   | <b>749</b> |
| <i>Aluminum, Environmentally Sealed, NTEP Certified 1:5,000<br/>Class III Single Cell, IP66</i>        |            |
| <b>RLPWM12</b> .....   | <b>750</b> |
| <i>Aluminum, Environmentally Sealed, NTEP Certified 1:5,000<br/>Class III Single Cell, IP67</i>        |            |

|  |            |
|--|------------|
| <b>RLPWM16</b> .....   | <b>751</b> |
| <i>Aluminum, Environmentally Sealed, NTEP Certified 1:5,000<br/>Class III Single Cell, IP67</i>            |            |
| <b>RL1042</b> .....  | <b>752</b> |
| <i>Aluminum, Environmentally Sealed, NTEP Certified 1:5,000<br/>Class III Single Cell, IP66</i>            |            |
| <b>RL1040</b> .....  | <b>753</b> |
| <i>Aluminum, NTEP Certified 1:5,000 Class III Single Cell,<br/>Potted and Unpotted, IP65/IP67</i>          |            |
| <b>RL1140</b> .....  | <b>754</b> |
| <i>Stainless Steel, Environmentally Sealed, Potted IP67</i>  |            |
| <b>RL1380</b> .....  | <b>755</b> |
| <i>Stainless Steel, Environmentally Sealed, NTEP Certified<br/>1:3,000 Class III Single Cell, IP67</i>     |            |
| <b>RL1385</b> .....  | <b>756</b> |
| <i>Stainless Steel, Environmentally Sealed, NTEP Certified<br/>1:4,500 Class III Single Cell, IP67</i>     |            |
| <b>RL1260</b> .....  | <b>757</b> |
| <i>Aluminum, Environmentally Sealed, NTEP Certified 1:5,000<br/>Class III Single Cell, IP67</i>            |            |
| <b>RL260FD</b> .....   | <b>758</b> |
| <i>Fluid Damped, Stainless Steel, Environmentally Sealed,<br/>NTEP Certified Single Cell 1:3,000, IP68</i> |            |
| <b>RL26018A</b> .....  | <b>759</b> |
| <i>Aluminum, Environmentally Sealed, NTEP Certified 1:5,000<br/>Class III Single Cell, IP67</i>            |            |
| <b>RL1218A</b> .....   | <b>760</b> |
| <i>Aluminum, Environmentally Sealed, NTEP Certified 1:5,000<br/>Class III Single Cell, IP67</i>            |            |
| <b>RL42018A</b> .....  | <b>761</b> |
| <i>Aluminum, Environmentally Sealed, NTEP Certified 1:5,000<br/>Class III Single Cell, IP66</i>            |            |
| <b>RLFLS</b> .....   | <b>762</b> |
| <i>Stainless Steel, Environmentally Sealed, Potted, IP67</i>   |            |
| <b>PLANAR BEAM</b>   |            |
| <b>RLBLP</b> .....   | <b>763</b> |
| <i>Aluminum, Environmentally Sealed, IP65</i>  |            |
| <b>TENSION LINK</b>  |            |
| <b>RL2010</b> .....  | <b>764</b> |
| <i>Stainless Steel, Environmentally Sealed, IP67</i>   |            |
| <b>MSI Load Pin Sensors</b> .....  | <b>765</b> |
| <b>MSI Load Pin Questionnaire</b> .....  | <b>766</b> |
| <b>MSI Tension Link Load Cell</b> .....  | <b>767</b> |
| <b>MSI Clamp-On Load Cell</b> .....  | <b>768</b> |

# SURVIVOR® Paramounts® HE

Medium-capacity Weigh Module Systems

LOAD CELLS / WEIGH MODULES



Picture is a representation of actual product.

## Complete Kit Includes

- One JB4SS NEMA Type 4X stainless steel signal trim junction box
- One fixed-pin module, one side-stop module, and one or two free-sliding assemblies. Each module is complete with a Flintec SB4 or SB10 (520 lb) stainless steel hermetically sealed load cell.
- 25 ft of our hostile environment EL147HE SURVIVOR load cell cable

## Standard Features

- Capacities (per module): (2.3 to 100 kN)
- All stainless steel construction
- Bolt-in-place design; module bolts directly to tank leg without requiring additional load buttons or mounting plates
- Hermetically sealed, stainless steel load cells
- Load cell outputs are mV/V/ohm calibrated to minimizing maintenance costs
- Unique design allows for thermal expansion/contraction
- Low-profile, self-checking design
- Jacking screw allows empty vessel to be lifted clear of load cell for maintenance
- Unique patented blind load hole technology minimizes unwanted side and eccentric loading
- Vessel is free to slide laterally on PTFE-coated surfaces
- Two-year limited warranty

## Applications

- Medium-capacity blenders and tanks
- Batching/blending
- Pharmaceutical processing
- Food processing
- Petroleum refining and batching

## Load Cell Approvals



Except 2.3 kN

## Order Information

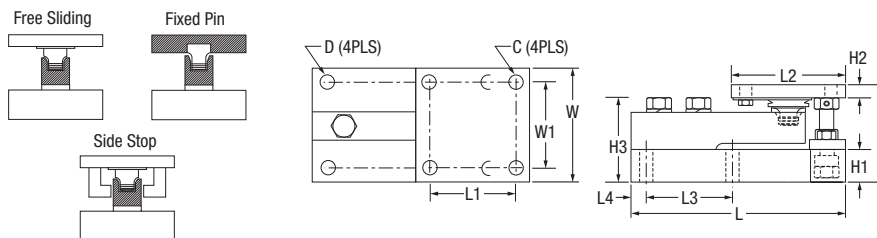
| Load Rating (Per Module)                   | Part # | Price      |
|--|--------|------------|
| <b>NTEP Certified/OIML C3 3-Module Kit</b> |        |            |
| 5 kN                                       | 29883  | \$4,125.00 |
| 10 kN                                      | 29884  | \$4,125.00 |
| 23 kN                                      | 29885  | \$4,125.00 |
| 50 kN                                      | 29886  | \$5,580.00 |
| <b>NTEP Certified/OIML C3 4-Module Kit</b> |        |            |
| 5 kN                                       | 29879  | \$5,482.00 |
| 10 kN                                      | 29880  | \$5,482.00 |
| 23 kN                                      | 29881  | \$5,482.00 |
| 50 kN                                      | 29882  | \$7,038.00 |
| <b>Non-NTEP Certified 3-Module Kit</b>     |        |            |
| 2.3 kN                                     | 38207  | \$4,680.00 |
| 5 kN                                       | 17991  | \$4,012.00 |
| 10 kN                                      | 17992  | \$4,012.00 |
| 23 kN                                      | 17993  | \$4,012.00 |
| 50 kN                                      | 17994  | \$5,205.00 |
| 100 kN                                     | 17995  | \$5,952.00 |
| <b>Non-NTEP Certified 4-Module Kit</b>     |        |            |
| 2.3 kN                                     | 38208  | \$5,925.00 |
| 5 kN                                       | 17998  | \$5,225.00 |
| 10 kN                                      | 17999  | \$5,225.00 |
| 23 kN                                      | 18000  | \$5,225.00 |
| 50 kN                                      | 18001  | \$6,566.00 |
| 100 kN                                     | 18002  | \$8,284.00 |
| *Conduit adapter, 1/2-14 NPT               | 17703  | \$50.00    |

\*Must be factory installed

## Dimensions

| Rated Capacity | C    | D    | H    | H1   | *H2  | **H2 | H3   | L     | L1   | L2   | L3   | L4   | W    | W1   |
|----------------|------|------|------|------|------|------|------|-------|------|------|------|------|------|------|
| kN/in          |      |      |      |      |      |      |      |       |      |      |      |      |      |      |
| 2.3            | 0.38 | 0.44 | 3.49 | 1.00 | 0.50 | 0.75 | 2.98 | 7.51  | 3.00 | 4.00 | 3.00 | 0.50 | 4.00 | 3.00 |
| 5 to 23        | 0.44 | 0.44 | 3.58 | 1.25 | 0.50 | 0.75 | 3.06 | 7.51  | 3.00 | 4.00 | 3.00 | 0.50 | 4.00 | 3.00 |
| 50             | 0.56 | 0.56 | 4.66 | 1.50 | 0.62 | 1.00 | 4.09 | 9.19  | 3.87 | 5.00 | 3.87 | 0.56 | 5.00 | 3.87 |
| 100            | 0.69 | 0.69 | 6.41 | 2.00 | 0.75 | 1.25 | 5.73 | 11.46 | 4.75 | 6.00 | 4.75 | 0.69 | 6.00 | 4.75 |

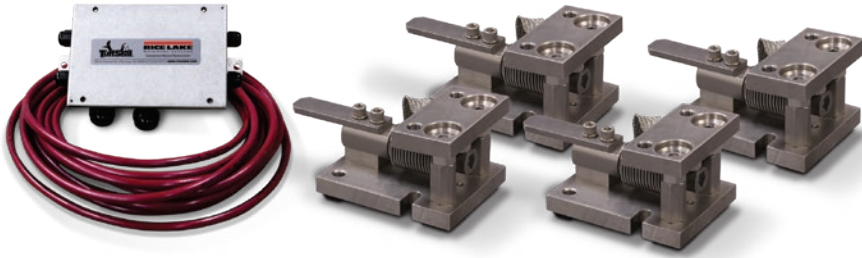
\*Side stop and free sliding units \*\*Fixed pin units



# RL1700 HE

Light- to Medium-capacity Weigh Modules

LOAD CELLS /  
WEIGH MODULES



Picture is a representation of actual product.

## Complete Kit Includes

- One JB4SS NEMA Type 4X stainless steel signal-trim junction box
- Three or four RL1700 HE stainless steel compression mounts
- Three or four RL9018SS (5 to 250 kg) or RLHTO (500 to 5,000 kg) stainless steel, hermetically sealed single-ended beam load cells
- 25 ft of our hostile environment EL147HE SURVIVOR load cell cable

## Standard Features

- All stainless steel construction
- Hermetically sealed, stainless steel load cells, IP66/68, guaranteed waterproof
- OIML certified load cells from 5 to 5,000 kg
- Bolt-in-place design; module bolts directly to tank leg without requiring additional load buttons or mounting plates
- Self-checking with lift-off/tip-over protection and jacking/shipping bolts
- Load cell is isolated from overload in all directions
- Weldless construction retains less residue and allows fast, thorough cleaning
- Two-year limited warranty

## Applications

- Multi-ingredient micro-batching
- Meat and poultry processing
- Batching/blending
- Dye/ink blending

## Load Cell Approvals



## Order Information

| Load Rating (Per Module)                  | Part # | Price      |
|---|--------|------------|
| <b>Single Module (Includes Load Cell)</b> |        |            |
| 5 kg                                      | 32687  | \$975.00   |
| 10 kg                                     | 32688  | \$975.00   |
| 20 kg                                     | 32689  | \$975.00   |
| 50 kg                                     | 32690  | \$975.00   |
| 100 kg                                    | 32691  | \$975.00   |
| 200 kg                                    | 32692  | \$975.00   |
| 250 kg                                    | 32693  | \$975.00   |
| 500 kg                                    | 32974  | \$1,187.00 |
| 1,000 kg                                  | 32973  | \$1,187.00 |
| 2,000 kg                                  | 32972  | \$1,187.00 |
| 5,000 kg                                  | 32971  | \$1,463.00 |
| <b>3-Module Kit</b>                       |        |            |
| 5 kg                                      | 32920  | \$3,143.00 |
| 10 kg                                     | 32921  | \$3,143.00 |
| 20 kg                                     | 32922  | \$3,143.00 |
| 50 kg                                     | 32923  | \$3,143.00 |
| 100 kg                                    | 32924  | \$3,143.00 |
| 200 kg                                    | 32925  | \$3,143.00 |
| 250 kg                                    | 32926  | \$3,143.00 |
| 500 kg                                    | 32980  | \$3,763.00 |
| 1,000 kg                                  | 32981  | \$3,763.00 |
| 2,000 kg                                  | 32982  | \$3,763.00 |
| 5,000 kg                                  | 32983  | \$4,690.00 |
| <b>4-Module Kit</b>                       |        |            |
| 5 kg                                      | 32927  | \$4,150.00 |
| 10 kg                                     | 32928  | \$4,150.00 |
| 20 kg                                     | 32929  | \$4,150.00 |
| 50 kg                                     | 32930  | \$4,150.00 |
| 100 kg                                    | 32931  | \$4,150.00 |
| 200 kg                                    | 32932  | \$4,150.00 |
| 250 kg                                    | 32933  | \$4,150.00 |
| 500 kg                                    | 32984  | \$4,955.00 |
| 1,000 kg                                  | 32985  | \$4,955.00 |
| 2,000 kg                                  | 32986  | \$4,955.00 |
| 5,000 kg                                  | 32987  | \$5,856.00 |

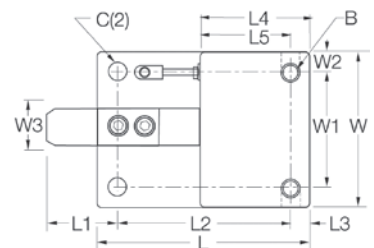
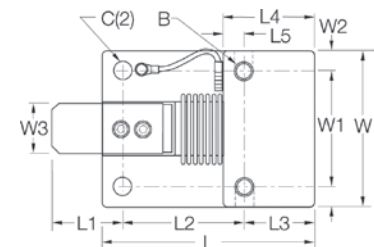
## Dimensions

| Rated Capacity | C    | B          | *H1   | **H2  | L     | L1   | L2    | L3   | L4   | L5   | W     | W1   | W2   | W3   |
|----------------|------|------------|-------|-------|-------|------|-------|------|------|------|-------|------|------|------|
| kg/mm          |      |            |       |       |       |      |       |      |      |      |       |      |      |      |
| 5 to 250       | 12.9 | 1/2-20 UNF | 80.0  | 86.1  | 131.8 | 63.7 | 76.0  | 42.0 | 56.0 | 14.0 | 96.0  | 70.0 | 12.9 | 25.4 |
| 500 to 2,000   | 12.9 | 5/8-18 UNF | 101.6 | 109.4 | 165.0 | 70.0 | 129.5 | 14.9 | 80.0 | 59.9 | 110.0 | 70.0 | 20.0 | 31.7 |
| 5,000          | 20.0 | 3/4-10 UNC | 135.0 | 143.0 | 215.0 | 81.0 | 161.0 | 20.0 | 90.0 | 70.5 | 150.0 | 90.0 | 30.0 | 40.0 |

\* In weighing position \*\* In jacked-up position for load cell shipping or removal



5 kg - 250 kg capacities

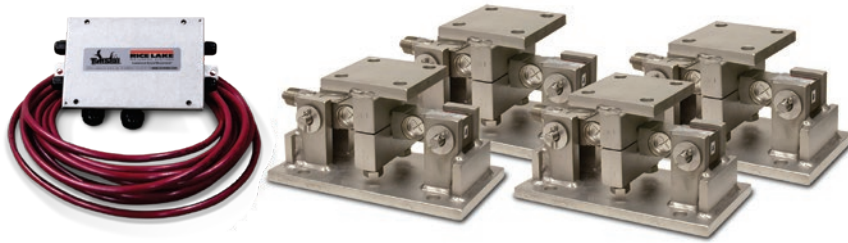


500 kg - 5000 kg capacities

# RL1600 HE

Medium-capacity Weigh Modules

LOAD CELLS / WEIGH MODULES



Picture is a representation of actual product.

## Complete Kit Includes

- One JB4SS NEMA Type 4X stainless steel signal trim junction box
- Three or four RL1600 HE stainless steel compression mounts
- Three or four RL75016WHE stainless steel, hermetically sealed double-ended shear beam load cells
- 25 ft of our hostile environment EL147HE SURVIVOR load cell cable

## Standard Features

- Capacities (per module): 1,000 to 25,000 lb
- All stainless steel construction
- Self-checking, easy-to-use design allows module to be bolted directly to tank leg without requiring additional mounting plates or load buttons
- Hermetically sealed IP66/69K protected load cells
- Double-ended shear beam design, center loaded

## Applications

- Medium-capacity tanks, bins and hoppers
- Bulk material management
- Ingredient batching, mixing and blending

## Load Cell Approvals



## Order Information

| Load Rating (Per Module)                          | Part # | Price      |
|---|--------|------------|
| <b>Single Module (Does Not Include Load Cell)</b> |        |            |
| 1,000 to 5,000 lb                                 | 17813  | \$657.00   |
| 10,000 to 25,000 lb                               | 17815  | \$1,283.00 |
| <b>3-Module Kit</b>                               |        |            |
| 1,000 lb  | 46723  | \$4,563.00 |
| 1,500 lb  | 119673 | \$4,563.00 |
| 2,000 lb  | 119675 | \$4,563.00 |
| 2,500 lb  | 46724  | \$4,563.00 |
| 5,000 lb  | 46725  | \$4,563.00 |
| 10,000 lb   | 46726  | \$6,540.00 |
| 15,000 lb   | 46727  | \$6,540.00 |
| 20,000 lb   | 84664  | \$6,540.00 |
| 25,000 lb   | 46728  | \$6,540.00 |
| <b>4-Module Kit</b>                               |        |            |
| 1,000 lb  | 46729  | \$5,753.00 |
| 1,500 lb  | 119674 | \$5,753.00 |
| 2,000 lb  | 119676 | \$5,753.00 |
| 2,500 lb  | 46730  | \$5,753.00 |
| 5,000 lb  | 46731  | \$5,753.00 |
| 10,000 lb   | 46732  | \$8,554.00 |
| 15,000 lb   | 46733  | \$8,554.00 |
| 20,000 lb   | 84665  | \$8,554.00 |
| 25,000 lb   | 46734  | \$8,554.00 |
| <b>Dummy Load Cells (Mild Steel)</b>              |        |            |
| 1,000 to 5,000 lb                                 | 18236  | \$26.00    |
| 10,000 to 25,000 lb                               | 18237  | \$42.00    |

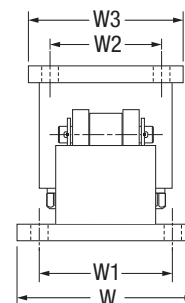
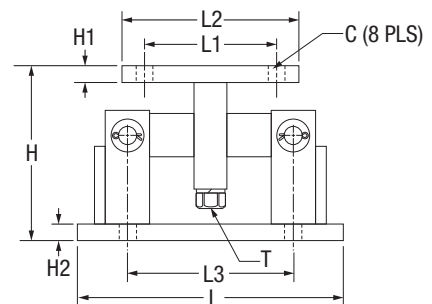
## Shims\*

| Load Rating                   | Part # | Price   |
|-------------------------------|--------|---------|
| <b>1,000 lb to 5,000 lb</b>   |        |         |
| 0.0625                        | 150852 | \$7.00  |
| 0.125                         | 150853 | \$12.00 |
| 0.250                         | 150854 | \$18.00 |
| <b>10,000 lb to 25,000 lb</b> |        |         |
| 0.0625                        | 150855 | \$19.00 |
| 0.125                         | 150856 | \$30.00 |
| 0.250                         | 150857 | \$65.00 |
| <b>50,000 lb to 75,000 lb</b> |        |         |
| 0.0625                        | 150858 | \$27.00 |
| 0.125                         | 150859 | \$38.00 |
| 0.250                         | 150861 | \$79.00 |

\*Shims match the top plate

## Dimensions

| Rated Capacity       | C    | H    | H1   | H2   | L     | L1   | L2   | L3   | T          | W    | W1   | W2   | W3   |
|----------------------|------|------|------|------|-------|------|------|------|------------|------|------|------|------|
| 1,000 to 5,000 lb/in | 0.56 | 5.00 | 0.50 | 0.50 | 9.25  | 2.75 | 4.00 | 6.25 | 1/2-13 UNC | 5.00 | 3.75 | 2.75 | 4.00 |
| 10,000 to 25,000     | 0.78 | 7.87 | 0.75 | 0.75 | 12.00 | 6.00 | 8.00 | 7.50 | 3/4-10 UNC | 8.00 | 6.00 | 6.00 | 8.00 |



# RL1855 HE-HS

Medium-capacity Weigh Modules

LOAD CELLS /  
WEIGH MODULES



Picture is a representation of actual product.

## Complete Kit Includes

- One JB4SS NEMA Type 4X stainless steel signal trim junction box
- Three or four RL1855 HE stainless steel mounts
- Three or four RL32218S-HE hermetically sealed NTEP Certified load cells
- 25 ft of hostile environment EL147HE SURVIVOR load cell cable

## Standard Features

- All stainless steel construction
- Hermetically sealed, stainless steel IP69K
- NTEP Certified load cells, 5,000 d Class III multiple load cell
- Self-checking design with lift off/tip off protection
- Two-year limited warranty

## Applications

- Medium-capacity hoppers, bins and tanks
- Batching/blending

## Load Cell Approvals

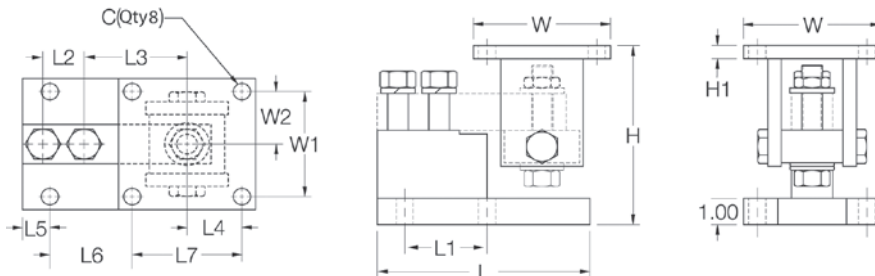


## Order Information

| Load Rating (Per Module)                   | Part #        | Price      |
|--|---------------|------------|
| <b>Single Modules (Includes Load Cell)</b> |               |            |
| 1,000 lb                                   | <b>170857</b> | \$1,060.00 |
| 2,500 lb                                   | <b>170858</b> | \$1,060.00 |
| 4,000 lb                                   | <b>170859</b> | \$1,060.00 |
| 5,000 lb                                   | <b>170860</b> | \$1,140.00 |
| 10,000 lb                                  | <b>170861</b> | \$1,140.00 |
| <b>3-Module Kit</b>                        |               |            |
| 1,000 lb                                   | <b>170862</b> | \$3,339.00 |
| 2,500 lb                                   | <b>170863</b> | \$3,339.00 |
| 4,000 lb                                   | <b>170864</b> | \$3,339.00 |
| 5,000 lb                                   | <b>170865</b> | \$3,588.00 |
| 10,000 lb                                  | <b>170866</b> | \$3,588.00 |
| <b>4-Module Kit</b>                        |               |            |
| 1,000 lb                                   | <b>170867</b> | \$4,340.00 |
| 2,500 lb                                   | <b>170868</b> | \$4,340.00 |
| 4,000 lb                                   | <b>170869</b> | \$4,340.00 |
| 5,000 lb                                   | <b>170870</b> | \$4,728.00 |
| 10,000 lb                                  | <b>170871</b> | \$4,728.00 |

## Dimensions

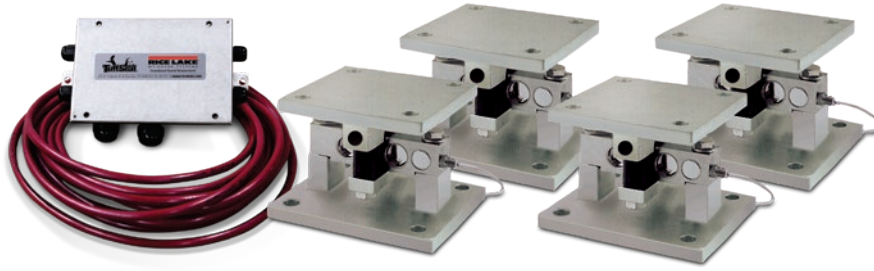
| Rated Capacity C | C    | H min/<br>max | H1   | L    | L1   | L2   | L3   | L4   | L5   | L6   | L7   | W    | W1   | W2   |
|------------------|------|---------------|------|------|------|------|------|------|------|------|------|------|------|------|
| lb/in            |      |               |      |      |      |      |      |      |      |      |      |      |      |      |
| 1,000 to 4,000   | 0.62 | 5.25/5.56     | 0.50 | 6.00 | 2.00 | 1.00 | 3.00 | 2.00 | 0.68 | 1.94 | 4.00 | 5.00 | 4.00 | 2.00 |
| 5,000 to 10,000  | 0.62 | 6.12/6.62     | 0.50 | 7.75 | 3.00 | 1.50 | 3.75 | 2.00 | 1.03 | 2.97 | 4.00 | 5.00 | 4.00 | 2.00 |



# RL2100 HE

Heavy-capacity Weigh Modules

LOAD CELLS /  
WEIGH MODULES



Picture is a representation of actual product.

## Complete Kit Includes

- One JB4SS NEMA Type 4X stainless steel signal-trim junction box
- Three or four RL2100 HE stainless steel compression mounts
- Three or four RL75060S or RL75058S-LP stainless steel, welded seal double-ended beam load cells
- 25 ft of our hostile environment EL147HE SURVIVOR load cell cable

## Standard Features

- All stainless steel construction
- Welded seal, stainless steel load cells, IP67, guaranteed waterproof
- NTEP Certified load cells, 5,000 d, Class III L/10,000 d, Class III L multiple cell
- Bolt-in-place design; module bolts directly to tank leg without requiring additional load buttons or mounting plates
- Self-checking design with lift-off/tip-over protection
- Two-year limited

## Applications

- Heavy-capacity tanks, blenders, reactors and bulk inventory management
- Petroleum refining process control
- Blending/batching

## Load Cell Approvals

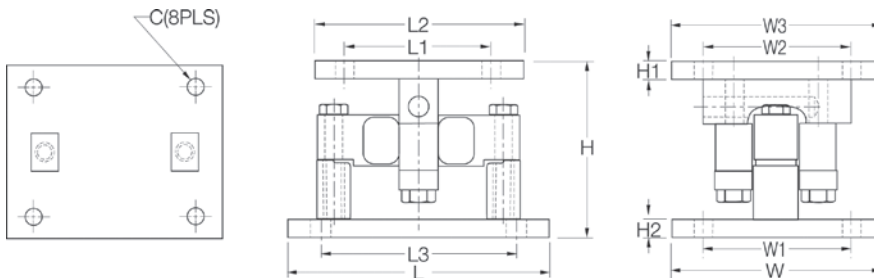


## Order Information

| Load Rating (Per Module)                  | Part # | Price       |
|---|--------|-------------|
| <b>Single Module (Includes Load Cell)</b> |        |             |
| 20,000 lb                                 | 32951  | \$1,749.00  |
| 25,000 lb                                 | 65541  | \$1,749.00  |
| 35,000 lb                                 | 32952  | \$2,793.00  |
| 50,000 lb                                 | 32953  | \$2,793.00  |
| 60,000 lb                                 | 32954  | \$2,793.00  |
| 75,000 lb                                 | 32955  | \$2,793.00  |
| 100,000 lb                                | 32956  | \$4,790.00  |
| <b>3-Module Kit</b>                       |        |             |
| 20,000 lb                                 | 32970  | \$5,500.00  |
| 25,000 lb                                 | 65984  | \$5,500.00  |
| 35,000 lb                                 | 32969  | \$8,660.00  |
| 50,000 lb                                 | 32968  | \$8,660.00  |
| 60,000 lb                                 | 32967  | \$8,660.00  |
| 75,000 lb                                 | 32966  | \$8,660.00  |
| 100,000 lb                                | 32965  | \$14,268.00 |
| <b>4-Module Kit</b>                       |        |             |
| 20,000 lb                                 | 32964  | \$7,260.00  |
| 25,000 lb                                 | 65983  | \$7,260.00  |
| 35,000 lb                                 | 32963  | \$11,114.00 |
| 50,000 lb                                 | 32962  | \$11,114.00 |
| 60,000 lb                                 | 32961  | \$11,114.00 |
| 75,000 lb                                 | 32960  | \$11,114.00 |
| 100,000 lb                                | 32959  | \$18,942.00 |

## Dimensions

| Rated Capacity    | C    | H    | H1   | H2   | L     | L1   | L2   | L3    | W     | W1   | W2   | W3   |
|-------------------|------|------|------|------|-------|------|------|-------|-------|------|------|------|
| lb/in             |      |      |      |      |       |      |      |       |       |      |      |      |
| 20,000 to 25,000  | 0.78 | 6.85 | 0.75 | 0.75 | 10.00 | 6.00 | 8.00 | 7.50  | 8.00  | 6.00 | 6.00 | 8.00 |
| 35,000 to 100,000 | 1.13 | 9.42 | 1.00 | 1.00 | 16.00 | 6.50 | 9.00 | 11.50 | 10.00 | 7.50 | 6.50 | 9.00 |



# ITCM

Isolated Tension Cell Modules

LOAD CELLS /  
WEIGH MODULES



Module with  
RL20000I S-beam load cell

Picture is a representation of actual product.

## Load Cell Approvals



## Complete Kit Includes

- Three or four ITCM assemblies with RL20000I NTEP Certified S-beam load cells
- One JB4SS NEMA Type 4X stainless steel signal trim junction box
- 25 ft of hostile environment EL147HE SURVIVOR® load cell cable

## Standard Features

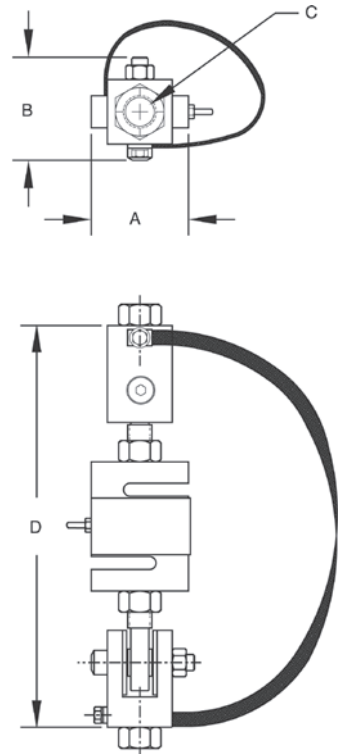
- Capacities (per module): 100 to 20,000 lb
- Clevis mounts with nylon insulating washers
- 20,000 lb ITCM rod-end ball joints
- Load cell is completely isolated from stray currents
- Grounding strap provides alternative path to ground
- Complete package for ease of installation
- Provides correct loading even in difficult installations
- Lower overall height compared to other isolated tension assemblies
- Zinc-plated clevis assemblies
- 20,000 lb capacity is not electrically isolated

## Applications

- Suspended hoppers and tanks
- Mechanical scale conversions
- Use as a single module or in multiples

## Load Rating Dimensions Per Module

| Load Cell Capacity<br>lb/in | Load Rating Dimensions |      |  |             | Single Module                                |                                  | 3-Module Kit                                 |  | 4-Module Kit                                 |  |
|-----------------------------|------------------------|------|--|-------------|--|----------------------------------|--|--|--|--|
|                             | A                      | B    | C                                      | D           | Price  | Price                            | Price  | Price                                  |  |  |
| 100                         | 2.00                   | 1.81 | 3/8-16 UNC<br>1/2-13 UNC               | 7.00 (ref)  | <b>17851</b><br><b>17831</b>                 | \$556.00<br>\$556.00             | <b>18003</b><br><b>18004</b>                 | \$1,935.00<br>\$1,935.00               | <b>18027</b><br><b>18028</b>                 | \$2,493.00<br>\$2,493.00               |
| 150                         | 2.00                   | 1.81 | 3/8-16 UNC<br>1/2-13 UNC               | 7.00 (ref)  | <b>30337</b><br><b>30336</b>                 | \$556.00<br>\$556.00             | <b>30357</b><br><b>30358</b>                 | \$1,935.00<br>\$1,935.00               | <b>30359</b><br><b>30360</b>                 | \$2,493.00<br>\$2,493.00               |
| 200                         | 2.00                   | 1.81 | 3/8-16 UNC<br>1/2-13 UNC               | 7.00 (ref)  | <b>30335</b><br><b>30338</b>                 | \$556.00<br>\$556.00             | <b>30361</b><br><b>30362</b>                 | \$1,935.00<br>\$1,935.00               | <b>30363</b><br><b>30364</b>                 | \$2,493.00<br>\$2,493.00               |
| 250                         | 2.00                   | 1.81 | 3/8-16 UNC<br>1/2-13 UNC               | 7.00 (ref)  | <b>17852</b><br><b>17832</b>                 | \$556.00<br>\$556.00             | <b>18005</b><br><b>18006</b>                 | \$1,935.00<br>\$1,935.00               | <b>18029</b><br><b>18030</b>                 | \$2,493.00<br>\$2,493.00               |
| 500                         | 2.68                   | 2.68 | 1/2-13 UNC<br>5/8-11 UNC<br>3/4-10 UNC | 9.50 (ref)  | <b>17853</b><br><b>17858</b><br><b>17833</b> | \$609.00<br>\$609.00<br>\$609.00 | <b>18007</b><br><b>18008</b><br><b>18009</b> | \$2,078.00<br>\$2,078.00<br>\$2,078.00 | <b>18031</b><br><b>18032</b><br><b>18033</b> | \$2,682.00<br>\$2,682.00<br>\$2,682.00 |
| 750                         | 2.68                   | 2.68 | 1/2-13 UNC<br>5/8-11 UNC<br>3/4-10 UNC | 9.50 (ref)  | <b>17854</b><br><b>17859</b><br><b>17834</b> | \$609.00<br>\$609.00<br>\$609.00 | <b>18010</b><br><b>18011</b><br><b>18012</b> | \$2,078.00<br>\$2,078.00<br>\$2,078.00 | <b>18034</b><br><b>18035</b><br><b>18036</b> | \$2,682.00<br>\$2,682.00<br>\$2,682.00 |
| 1,000                       | 2.68                   | 2.68 | 1/2-13 UNC<br>5/8-11 UNC<br>3/4-10 UNC | 9.50 (ref)  | <b>17855</b><br><b>17860</b><br><b>17835</b> | \$609.00<br>\$609.00<br>\$609.00 | <b>18013</b><br><b>18014</b><br><b>18015</b> | \$2,078.00<br>\$2,078.00<br>\$2,078.00 | <b>18037</b><br><b>18038</b><br><b>18039</b> | \$2,682.00<br>\$2,682.00<br>\$2,682.00 |
| 1,500                       | 2.68                   | 2.68 | 1/2-13 UNC<br>5/8-11 UNC<br>3/4-10 UNC | 9.50 (ref)  | <b>17856</b><br><b>17861</b><br><b>17836</b> | \$609.00<br>\$609.00<br>\$609.00 | <b>18016</b><br><b>18017</b><br><b>18018</b> | \$2,078.00<br>\$2,078.00<br>\$2,078.00 | <b>18040</b><br><b>18041</b><br><b>18042</b> | \$2,682.00<br>\$2,682.00<br>\$2,682.00 |
| 2,000                       | 2.68                   | 2.68 | 1/2-13 UNC<br>5/8-11 UNC<br>3/4-10 UNC | 9.50 (ref)  | <b>17857</b><br><b>17862</b><br><b>17837</b> | \$609.00<br>\$609.00<br>\$609.00 | <b>18019</b><br><b>18020</b><br><b>18021</b> | \$2,078.00<br>\$2,078.00<br>\$2,078.00 | <b>18043</b><br><b>18044</b><br><b>18045</b> | \$2,682.00<br>\$2,682.00<br>\$2,682.00 |
| 2,500                       | 2.68                   | 2.68 | 5/8-11 UNC<br>3/4-10 UNC               | 9.50 (ref)  | <b>17863</b><br><b>17838</b>                 | \$609.00<br>\$609.00             | <b>18022</b><br><b>18023</b>                 | \$2,078.00<br>\$2,078.00               | <b>18046</b><br><b>18047</b>                 | \$2,682.00<br>\$2,682.00               |
| 3,000                       | 3.37                   | 3.37 | 3/4-10 UNC                             | 10.50 (ref) | <b>30339</b>                                 | \$636.00                         | <b>30365</b>                                 | \$2,199.00                             | <b>30366</b>                                 | \$2,793.00                             |
| 5,000                       | 3.37                   | 3.37 | 3/4-10 UNC<br>1-8 UNC                  | 12.25 (ref) | <b>17864</b><br><b>17839</b>                 | \$832.00<br>\$832.00             | <b>18024</b><br><b>18025</b>                 | \$2,743.00<br>\$2,743.00               | <b>18048</b><br><b>18049</b>                 | \$3,577.00<br>\$3,577.00               |
| 10,000                      | 3.37                   | 3.37 | 1-8 UNC                                | 12.25 (ref) | <b>17840</b>                                 | \$832.00                         | <b>18026</b>                                 | \$2,743.00                             | <b>18050</b>                                 | \$3,577.00                             |
| 15,000                      | 4.00                   | 4.12 | 1 1/4-7 UNC                            | 18.00 (ref) | <b>17960</b>                                 | \$1,722.00                       | <b>30353</b>                                 | \$5,438.00                             | <b>30354</b>                                 | \$7,134.00                             |
| 20,000                      | 5.00                   | 4.12 | 1 1/2-6 UNC                            | 20.00 (ref) | <b>17961</b>                                 | \$2,030.00                       | <b>30355</b>                                 | \$5,438.00                             | <b>30356</b>                                 | \$8,358.00                             |







Module with  
RL20000ST S-beam load cell

### Complete Kit Includes

- Three or four ITCM assemblies with RL20000ST NTEP Certified S-beam load cells
- One JB4SS NEMA Type 4X stainless steel signal trim junction box
- 25 ft of hostile environment EL147HE SURVIVOR® load cell cable

### Standard Features

- Capacities (per module): 100 to 5,000 lb
- Clevis mounts with nylon insulating washers
- PTFE-lined rod-end ball joints
- Load cell is completely isolated from stray currents
- Grounding strap provides alternative path to ground
- Complete package for ease of installation
- Provides correct loading even in difficult installations
- Lower overall height compared to other isolated tension assemblies

### Applications

- Suspended hoppers and tanks
- Mechanical scale conversions
- Use as a single module or in multiples

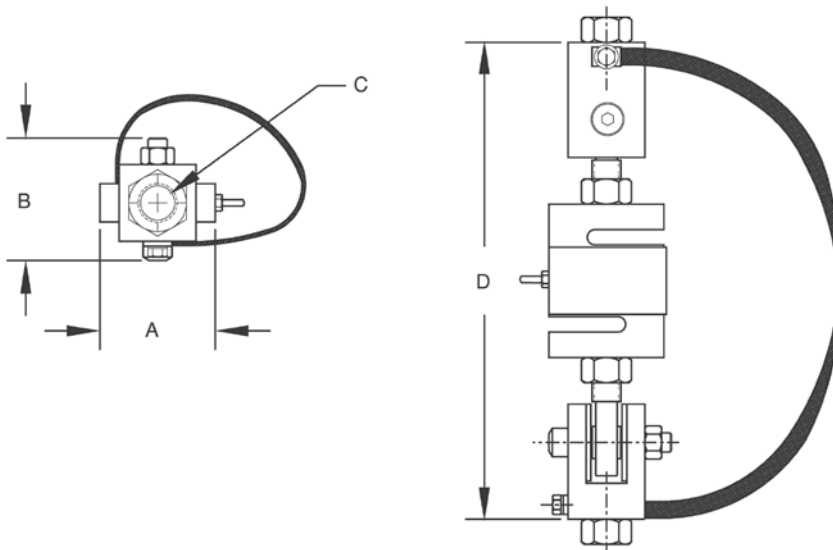
Picture is a representation of actual product.

### Load Cell Approvals



### Load Rating Dimensions Per Module

| Load Cell Capacity<br>lb/in | A    | B    | C          | D           | Single Module |            | 3-Module Kit |            | 4-Module Kit |            |
|-----------------------------|------|------|------------|-------------|---------------|------------|--------------|------------|--------------|------------|
|                             |      |      |            |             |               | Price      |              | Price      |              | Price      |
| 100                         | 2.00 | 1.81 | 3/8-16 UNC | 7.00 (ref)  | <b>46765</b>  | \$874.00   | <b>46735</b> | \$2,782.00 | <b>46751</b> | \$3,562.00 |
|                             |      |      | 1/2-13 UNC |             | <b>46766</b>  | \$874.00   | <b>46736</b> | \$2,782.00 | <b>46752</b> | \$3,562.00 |
| 250                         | 2.00 | 1.81 | 3/8-16 UNC | 7.00 (ref)  | <b>46767</b>  | \$874.00   | <b>46737</b> | \$2,782.00 | <b>46753</b> | \$3,562.00 |
|                             |      |      | 1/2-13 UNC |             | <b>46768</b>  | \$874.00   | <b>46738</b> | \$2,782.00 | <b>46754</b> | \$3,562.00 |
| 500                         | 2.68 | 2.68 | 1/2-13 UNC | 9.50 (ref)  | <b>46769</b>  | \$874.00   | <b>46739</b> | \$2,782.00 | <b>46755</b> | \$3,562.00 |
|                             |      |      | 5/8-11 UNC |             | <b>46770</b>  | \$874.00   | <b>46740</b> | \$2,782.00 | <b>46756</b> | \$3,562.00 |
| 750                         | 2.68 | 2.68 | 1/2-13 UNC | 9.50 (ref)  | <b>46771</b>  | \$874.00   | <b>46741</b> | \$2,782.00 | <b>46757</b> | \$3,562.00 |
|                             |      |      | 5/8-11 UNC |             | <b>46772</b>  | \$874.00   | <b>46742</b> | \$2,782.00 | <b>46758</b> | \$3,562.00 |
| 1,000                       | 2.68 | 2.68 | 1/2-13 UNC | 9.50 (ref)  | <b>46773</b>  | \$874.00   | <b>46743</b> | \$2,782.00 | <b>46759</b> | \$3,562.00 |
|                             |      |      | 5/8-11 UNC |             | <b>46774</b>  | \$874.00   | <b>46744</b> | \$2,782.00 | <b>46760</b> | \$3,562.00 |
| 2,500                       | 2.68 | 2.68 | 5/8-11 UNC | 9.50 (ref)  | <b>46775</b>  | \$874.00   | <b>46745</b> | \$2,782.00 | <b>46761</b> | \$3,562.00 |
|                             |      |      | 3/4-10 UNC |             | <b>46776</b>  | \$874.00   | <b>46746</b> | \$2,782.00 | <b>46762</b> | \$3,562.00 |
| 3,000                       | 3.37 | 3.37 | 3/4-10 UNC | 10.75 (ref) | <b>46777</b>  | \$938.00   | <b>46747</b> | \$3,069.00 | <b>46763</b> | \$3,842.00 |
|                             |      |      | 3/4-10 UNC |             | <b>46778</b>  | \$1,627.00 | <b>46748</b> | \$5,067.00 | <b>46764</b> | \$6,560.00 |



# ITCM HE

Stainless Steel, Welded Seal, NTEP Certified Isolated Tension Cell Modules

LOAD CELLS /  
WEIGH MODULES



Module with  
RL20001HE S-beam load cell

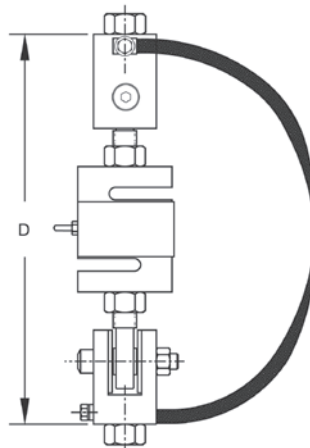
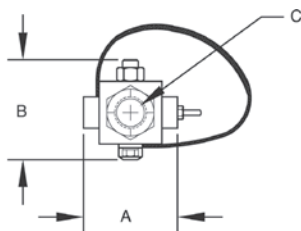
Picture is a representation of actual product.

## Load Cell Approvals



## Load Rating Dimensions Per Module

| Load Cell Capacity | A    | B    | C                                      | D           | Single Module | Price      | 3-Module Kit | Price      | 4-Module Kit | Price      |
|--------------------|------|------|--|-------------|---------------|------------|--------------|------------|--------------|------------|
| lb/in              |      |      |  |             |               |            |              |            |              |            |
| 500                | 2.68 | 2.68 | 1/2-13 UNC<br>5/8-11 UNC<br>3/4-10 UNC | 9.50 (ref)  | 46599         | \$1,600.00 | 46561        | \$4,675.00 | 46580        | \$6,233.00 |
|                    |      |      |  |             | 46600         | \$1,600.00 | 46562        | \$4,675.00 | 46581        | \$6,233.00 |
|                    |      |      |  |             | 46601         | \$1,600.00 | 46563        | \$4,675.00 | 46582        | \$6,233.00 |
| 750                | 2.68 | 2.68 | 1/2-13 UNC<br>5/8-11 UNC<br>3/4-10 UNC | 9.50 (ref)  | 46602         | \$1,600.00 | 46564        | \$4,675.00 | 46583        | \$6,233.00 |
|                    |      |      |  |             | 46603         | \$1,600.00 | 46565        | \$4,675.00 | 46584        | \$6,233.00 |
|                    |      |      |  |             | 46604         | \$1,600.00 | 46566        | \$4,675.00 | 46585        | \$6,233.00 |
| 1,000              | 2.68 | 2.68 | 1/2-13 UNC<br>5/8-11 UNC<br>3/4-10 UNC | 9.50 (ref)  | 46605         | \$1,600.00 | 46567        | \$4,675.00 | 46586        | \$6,233.00 |
|                    |      |      |  |             | 46606         | \$1,600.00 | 46568        | \$4,675.00 | 46587        | \$6,233.00 |
|                    |      |      |  |             | 46607         | \$1,600.00 | 46569        | \$4,675.00 | 46588        | \$6,233.00 |
| 1,500              | 2.68 | 2.68 | 1/2-13 UNC<br>5/8-11 UNC<br>3/4-10 UNC | 9.50 (ref)  | 46608         | \$1,600.00 | 46570        | \$4,675.00 | 46589        | \$6,233.00 |
|                    |      |      |  |             | 46609         | \$1,600.00 | 46571        | \$4,675.00 | 46590        | \$6,233.00 |
|                    |      |      |  |             | 46610         | \$1,600.00 | 46572        | \$4,675.00 | 46591        | \$6,233.00 |
| 2,000              | 2.68 | 2.68 | 1/2-13 UNC<br>5/8-11 UNC<br>3/4-10 UNC | 9.50 (ref)  | 46611         | \$1,600.00 | 46573        | \$4,675.00 | 46592        | \$6,233.00 |
|                    |      |      |  |             | 46612         | \$1,600.00 | 46574        | \$4,675.00 | 46593        | \$6,233.00 |
|                    |      |      |  |             | 46613         | \$1,600.00 | 46575        | \$4,675.00 | 46594        | \$6,233.00 |
| 2,500              | 2.68 | 2.68 | 5/8-11 UNC<br>3/4-10 UNC               | 9.50 (ref)  | 46614         | \$1,600.00 | 46576        | \$4,675.00 | 46595        | \$6,233.00 |
|                    |      |      |  |             | 46615         | \$1,600.00 | 46577        | \$4,675.00 | 46596        | \$6,233.00 |
| 3,000              | 3.37 | 3.37 | 3/4-10 UNC                             | 10.00 (ref) | 46616         | \$1,600.00 | 46578        | \$4,675.00 | 46597        | \$6,233.00 |
| 5,000              | 3.37 | 3.37 | 3/4-10 UNC                             | 12.62 (ref) | 46617         | \$2,375.00 | 46579        | \$7,006.00 | 46598        | \$9,290.00 |



## Complete Kit Includes

- Three or four ITCM assemblies with RL20001HE stainless steel, welded seal
- NTEP Certified S-beam load cells
- One JB4SS NEMA Type 4X stainless steel signal trim junction box
- 25 ft of hostile environment EL147HE SURVIVOR® load cell cable

## Standard Features

- Capacities (per module): 500 to 5,000 lb
- Clevis mounts with nylon insulating washers
- PTFE-lined rod-end ball joints
- Load cell is completely isolated from stray currents
- Grounding strap provides alternative path to ground
- Complete package for ease of installation
- Provides correct loading even in difficult installations
- Lower overall height compared to other isolated tension assemblies

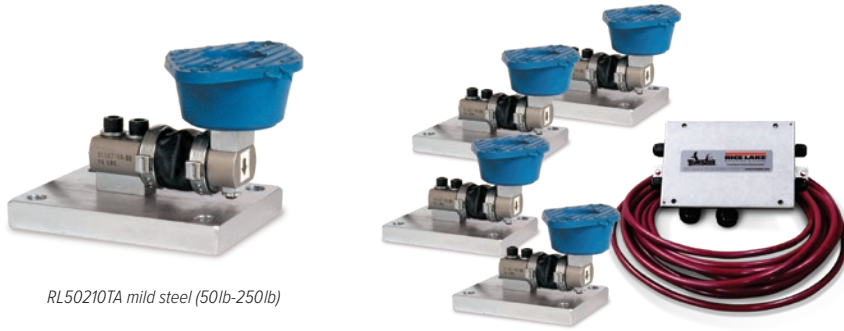
## Applications

- Suspended hoppers and tanks
- Mechanical scale conversions
- Use as a single module or in multiples

# RL50210TA

## Mini Tank Weighing Module

LOAD CELLS /  
WEIGH MODULES



RL50210TA mild steel (50lb-250lb)



NTEP Certified 1,000lb mild steel load cell shown.

Picture is a representation of actual product.

### Load Cell Approvals



### Complete Kit Includes

- Three or four RL50210 cantilever beam load cells (50 to 250 lb mild steel)
- Three or four RL30000 single-ended beam load cells (500 lb mild steel)
- Three or four RL32018 single-ended beam load cells (1,000 to 2,500 lb mild steel)
- Three or four RL39123 single-ended beam load cells (500 lb stainless steel)
- Three or four RL32018S single-ended beam load cells (1,000 to 2,500 lb stainless steel)
- Three or four neoprene isolation/compression mounts
- One JB4SS NEMA Type 4X stainless steel signal trim junction box
- 25 ft of hostile environment EL147HE SURVIVOR® load cell cable

### Standard Features

- NTEP Certified load cells
- Zinc plated mild steel or stainless steel assemblies
- Weighing ranges from 50 to 2,500 lb per module
- Neoprene isolation mounts allow for minor misalignment, thermal expansion and shock absorption
- Overload stop provides durability

### Optional Features

- Stainless steel modules available in 500 lb capacities with RL39123 stainless steel load cells

### Applications

- Small tanks and hoppers
- Conveyor/In-motion weighing
- Small platform scales where minor shock loading may occur

### Order Information

| Load Rating (Per Module)                             | Part # | Price      |
|--|--------|------------|
| <b>Mild Steel Single Module (Includes Load Cell)</b> |        |            |
| 50 lb  | 17844  | \$460.00   |
| 100 lb   | 17845  | \$460.00   |
| 150 lb   | 17846  | \$460.00   |
| 250 lb   | 17847  | \$460.00   |
| 500 lb   | 17848  | \$610.00   |
| 1,000 lb   | 17849  | \$610.00   |
| 2,000 lb   | 17948  | \$610.00   |
| 2,500 lb   | 17949  | \$610.00   |
| <b>Mild Steel 3-Module Kit</b>                       |        |            |
| 50 lb  | 18051  | \$1,616.00 |
| 100 lb   | 18052  | \$1,616.00 |
| 150 lb   | 18053  | \$1,616.00 |
| 250 lb   | 18054  | \$1,525.00 |
| 500 lb   | 18055  | \$2,088.00 |
| 1,000 lb   | 18056  | \$2,088.00 |
| 2,000 lb   | 30398  | \$2,088.00 |
| 2,500 lb   | 30396  | \$2,088.00 |
| <b>Mild Steel 4-Module Kit</b>                       |        |            |
| 50 lb  | 18057  | \$2,078.00 |
| 100 lb   | 18058  | \$2,078.00 |
| 150 lb   | 18059  | \$2,078.00 |
| 250 lb   | 18060  | \$2,078.00 |
| 500 lb   | 18061  | \$2,645.00 |
| 1,000 lb   | 18062  | \$2,645.00 |
| 2,000 lb   | 30397  | \$2,645.00 |
| 2,500 lb   | 30395  | \$2,645.00 |

# RL50210TA

Mini Tank Weighing Module

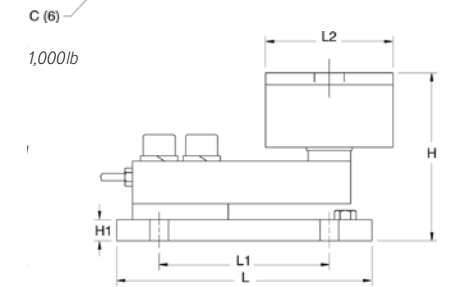
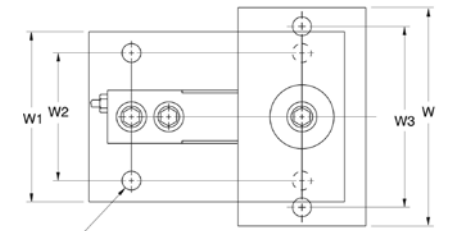
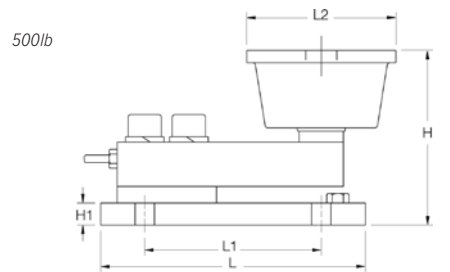
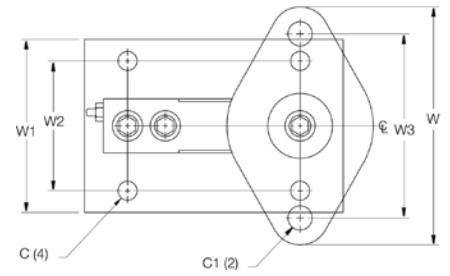
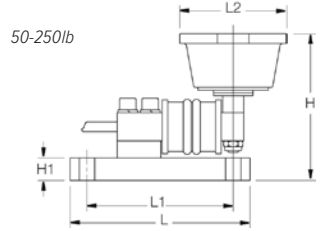
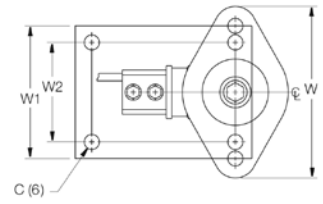
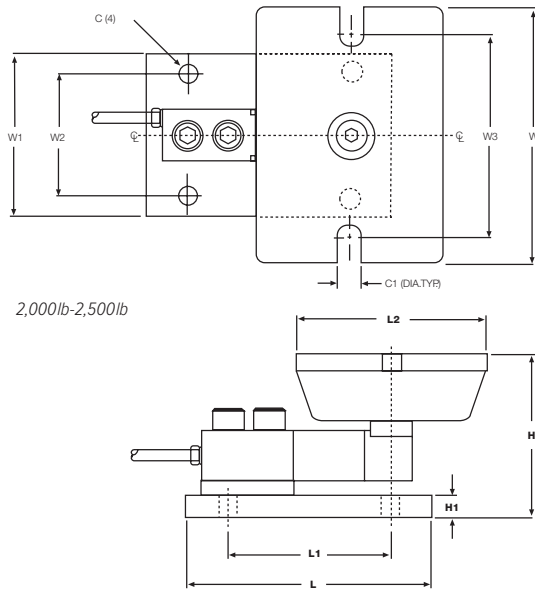
LOAD CELLS /  
WEIGH MODULES

## Order Information

| Load Rating (Per Module)                                  | Part #       | Price      |
|---|--------------|------------|
| <b>Stainless Steel Single Module (Includes Load Cell)</b> |              |            |
| 500 lb  | <b>17954</b> | \$715.00   |
| 1,000 lb  | <b>17955</b> | \$675.00   |
| 2,000 lb  | <b>17956</b> | \$675.00   |
| 2,500 lb  | <b>17957</b> | \$675.00   |
| <b>Stainless Steel 3-Module Kit</b>                       |              |            |
| 500 lb  | <b>30394</b> | \$2,375.00 |
| 1,000 lb  | <b>30404</b> | \$2,375.00 |
| 2,000 lb  | <b>30402</b> | \$2,375.00 |
| 2,500 lb  | <b>30400</b> | \$2,375.00 |
| <b>Stainless Steel 4-Module Kit</b>                       |              |            |
| 500 lb  | <b>30393</b> | \$3,111.00 |
| 1,000 lb  | <b>30403</b> | \$2,935.00 |
| 2,000 lb  | <b>30401</b> | \$2,935.00 |
| 2,500 lb  | <b>30399</b> | \$2,935.00 |

## Dimensions

| Rated Capacity | C    | C1   | H    | H1   | L    | L1   | L2   | W    | W1   | W2   | W3   |
|----------------|------|------|------|------|------|------|------|------|------|------|------|
| lb/in          |      |      |      |      |      |      |      |      |      |      |      |
| 50 to 250      | 0.34 | -    | 3.13 | 0.50 | 4.00 | 3.25 | 2.38 | 3.88 | 3.00 | 2.25 | -    |
| 500            | 0.44 | 0.56 | 3.88 | 0.50 | 6.00 | 4.00 | 3.38 | 5.50 | 4.00 | 3.00 | 4.13 |
| 1,000          | 0.44 | -    | 4.00 | 0.50 | 6.00 | 4.00 | 3.00 | 5.13 | 4.00 | 3.00 | 4.13 |
| 2,000 to 2,500 | 0.44 | 0.56 | 4.00 | 0.50 | 6.00 | 4.00 | 4.62 | 6.25 | 4.00 | 3.00 | 5.00 |





Module with VPG Sensortronics 65023 single-ended shear beam load cell; capacities (per module): NTEP Certified 1,000lb load cell shown.

65059 mild steel (50lb-250lb)

Picture is a representation of actual product.

### Load Cell Approvals



### Order Information

| Load Rating (Per Module)                             | Part # | Price      |
|--|--------|------------|
| <b>Mild Steel Single Module (Includes Load Cell)</b> |        |            |
| 50 lb  | 17825  | \$460.00   |
| 100 lb   | 17826  | \$460.00   |
| 150 lb   | 17827  | \$460.00   |
| 250 lb   | 17828  | \$460.00   |
| 500 lb   | 17829  | \$609.00   |
| 1,000 lb   | 17830  | \$609.00   |
| 2,000 lb   | 17946  | \$609.00   |
| 2,500 lb   | 17947  | \$609.00   |
| <b>Mild Steel 3-Module Kit</b>                       |        |            |
| 50 lb  | 18063  | \$1,616.00 |
| 100 lb   | 18064  | \$1,616.00 |
| 150 lb   | 18065  | \$1,616.00 |
| 250 lb   | 18066  | \$1,616.00 |
| 500 lb   | 18067  | \$2,088.00 |
| 1,000 lb   | 18068  | \$2,088.00 |
| 2,000 lb   | 30413  | \$2,088.00 |
| 2,500 lb   | 30412  | \$2,088.00 |
| <b>Mild Steel 4-Module Kit</b>                       |        |            |
| 50 lb  | 18069  | \$2,078.00 |
| 100 lb   | 18070  | \$2,078.00 |
| 150 lb   | 18071  | \$2,078.00 |
| 250 lb   | 18072  | \$2,078.00 |
| 500 lb   | 18073  | \$2,645.00 |
| 1,000 lb   | 18074  | \$2,645.00 |
| 2,000 lb   | 30414  | \$2,645.00 |
| 2,500 lb   | 30411  | \$2,645.00 |

### Complete Kit Includes

- One JB4SS NEMA Type 4X stainless steel signal trim junction box
- Three or four 60040 cantilever beam load cells (50 to 250 lb mild steel models)
- Three or four 65023-500-0107 single-ended beam load cells (500 lb mild steel models)
- Three or four 65023A1K-5107 single-ended beam load cells (1,000 to 2,500 lb mild steel models)
- Three or four 65023-500-0113 single-ended beam load cells (500 lb stainless steel model)
- Three or four 65023S1K-5113 single-ended beam load cells (1,000 to 2,500 lb stainless steel models)
- Three or four neoprene isolation/compression mounts
- 25 ft of hostile environment EL147HE SURVIVOR® load cell cable

### Standard Features

- Zinc plated, mild steel modules
- Lower weighing ranges from 50 to 500 lb per module
- Environmentally protected load cells
- Neoprene isolation/compression mounts allow for minor misalignment, thermal expansion and shock absorption
- Overload stop for 500 lb modules provides durability

### Applications

- Small tanks and hoppers
- Conveyor/in-motion weighing
- Small platform scales where minor shock loading may occur

# 65059

Mini Tank Weighing Module, VPG Sensortronics

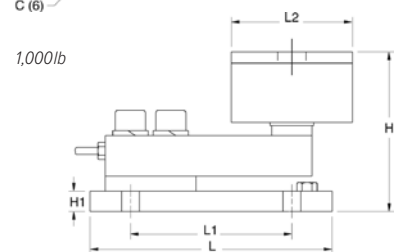
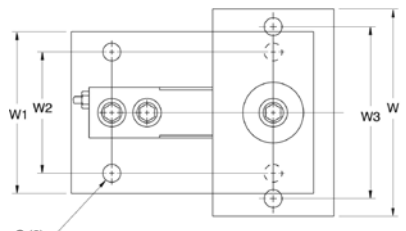
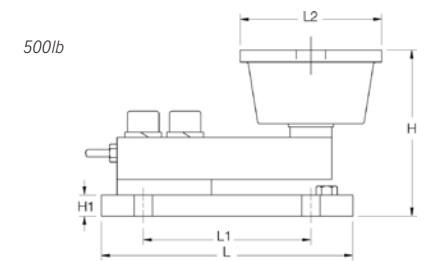
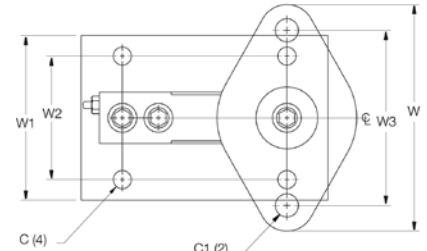
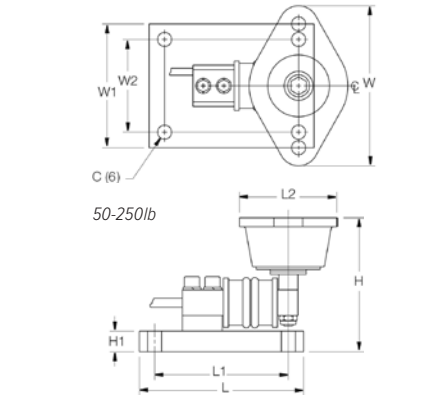
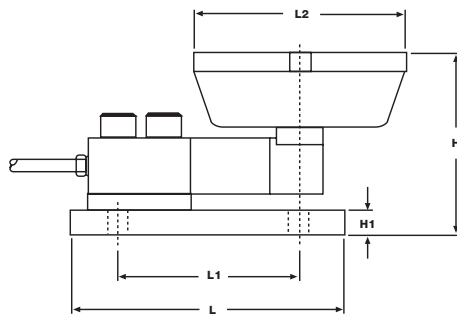
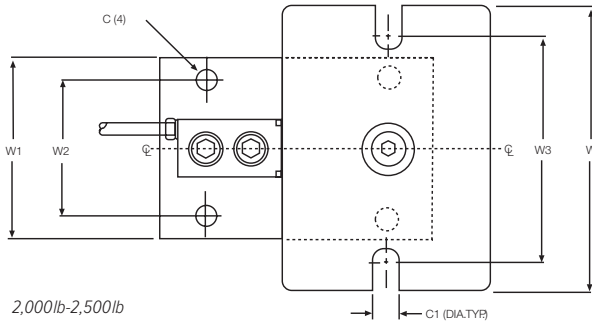
LOAD CELLS /  
WEIGH MODULES

## Order Information

| Load Rating (Per Module)                                  | Part # | Price      |
|---|--------|------------|
| <b>Stainless Steel Single Module (Includes Load Cell)</b> |        |            |
| 500 lb  | 17950  | \$715.00   |
| 1,000 lb  | 17951  | \$715.00   |
| 2,000 lb  | 17952  | \$715.00   |
| 2,500 lb  | 17953  | \$715.00   |
| <b>Stainless Steel 3-Module Kit</b>                       |        |            |
| 500 lb  | 30392  | \$2,375.00 |
| 1,000 lb  | 30410  | \$2,375.00 |
| 2,000 lb  | 30408  | \$2,375.00 |
| 2,500 lb  | 30406  | \$2,375.00 |
| <b>Stainless Steel 4-Module Kit</b>                       |        |            |
| 500 lb  | 30391  | \$3,111.00 |
| 1,000 lb  | 30409  | \$3,111.00 |
| 2,000 lb  | 30407  | \$3,111.00 |
| 2,500 lb  | 30405  | \$3,111.00 |

## Dimensions

| Rated Capacity | C    | C1   | H    | H1   | L    | L1   | L2   | W    | W1   | W2   | W3   |
|----------------|------|------|------|------|------|------|------|------|------|------|------|
| lb/in          |      |      |      |      |      |      |      |      |      |      |      |
| 50 to 250      | 0.34 | -    | 3.13 | 0.50 | 4.00 | 3.25 | 2.38 | 3.88 | 3.00 | 2.25 | -    |
| 500            | 0.44 | 0.56 | 3.88 | 0.50 | 6.00 | 4.00 | 3.38 | 5.50 | 4.00 | 3.00 | 4.13 |
| 1,000          | 0.44 | -    | 4.00 | 0.50 | 6.00 | 4.00 | 3.00 | 5.13 | 4.00 | 3.00 | 4.13 |
| 2,000 to 2,500 | 0.44 | 0.56 | 4.00 | 0.50 | 6.00 | 4.00 | 4.62 | 6.25 | 4.00 | 3.00 | 5.00 |



# RL50219SS-TA

Mini Tank Weighing Module, Stainless Steel

LOAD CELLS /  
WEIGH MODULES



RL50219SS-TA stainless (50lb-250lb)

Picture is a representation of actual product.

## Complete Kit Includes

- One JB4SS NEMA Type 4X stainless steel signal trim junction box
- Three or four RL50219SS cantilever beam load cells (50 to 250 lb models)
- Three or four stainless steel single-ended beam load cells (500 lb models)
- Three or four neoprene isolation/compression mounts
- 25 ft of hostile environment EL147HE SURVIVOR® load cell cable

## Standard Features

- Stainless steel modules
- Lower weighing ranges from 50 to 500 lb per module
- Environmentally protected load cells
- Neoprene isolation/compression mounts allow for minor misalignment, thermal expansion and shock absorption
- Overload stop for 500 lb modules provides durability

## Applications

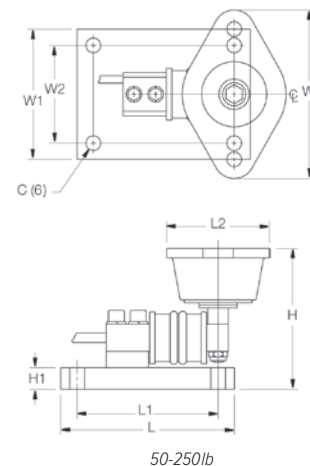
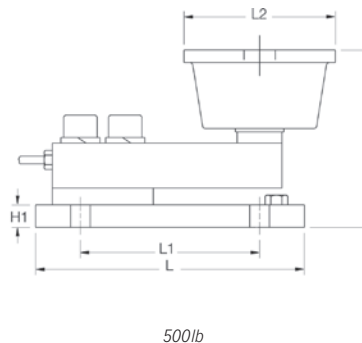
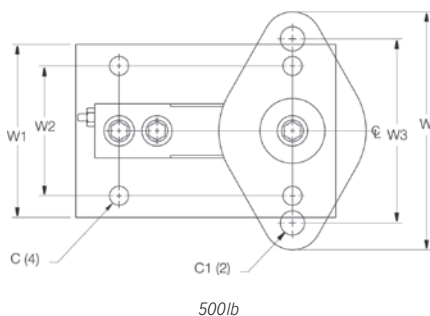
- Small tanks and hoppers
- Conveyor/in-motion weighing
- Small platform scales where minor shock loading may occur

## Order Information

| Load Rating (Per Module)                  | Part # | Price      |
|---|--------|------------|
| <b>Single Module (Includes Load Cell)</b> |        |            |
| 50 lb                                     | 196829 | \$695.00   |
| 75 lb                                     | 196830 | \$695.00   |
| 100 lb                                    | 196831 | \$695.00   |
| 150 lb                                    | 196832 | \$695.00   |
| 250 lb                                    | 196833 | \$695.00   |
| 500 lb                                    | 17954  | \$715.00   |
| <b>3-Module Kit</b>                       |        |            |
| 50 lb                                     | 196840 | \$2,364.00 |
| 75 lb                                     | 196841 | \$2,364.00 |
| 100 lb                                    | 196842 | \$2,364.00 |
| 150 lb                                    | 196843 | \$2,364.00 |
| 250 lb                                    | 196844 | \$2,364.00 |
| 500 lb                                    | 30394  | \$2,375.00 |
| <b>4-Module Kit</b>                       |        |            |
| 50 lb                                     | 196845 | \$3,058.00 |
| 75 lb                                     | 197015 | \$3,058.00 |
| 100 lb                                    | 196846 | \$3,058.00 |
| 150 lb                                    | 196848 | \$3,058.00 |
| 250 lb                                    | 196849 | \$3,058.00 |
| 500 lb                                    | 30393  | \$3,111.00 |

## Dimensions

| Rated Capacity | C    | C1   | H    | H1   | L    | L1   | L2   | W    | W1   | W2   | W3   |
|----------------|------|------|------|------|------|------|------|------|------|------|------|
| 50 to 250      | 0.34 | -    | 3.13 | 0.50 | 4.00 | 3.25 | 2.38 | 3.88 | 3.00 | 2.25 | -    |
| 500            | 0.44 | 0.56 | 3.88 | 0.50 | 6.00 | 4.00 | 3.38 | 5.50 | 4.00 | 3.00 | 4.13 |



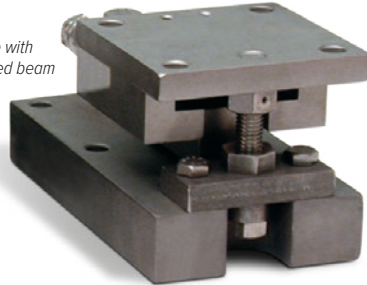
# Paramounts® EP

Environmentally Protected, Mild Steel, Light- to Medium-capacity Tank Weighing Systems

LOAD CELLS / WEIGH MODULES



Free-sliding module with Flintec SB5 single-ended beam load cell



Picture is a representation of actual product.

## Load Cell Approvals



## Order Information

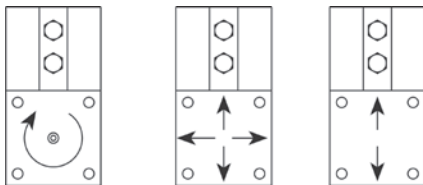
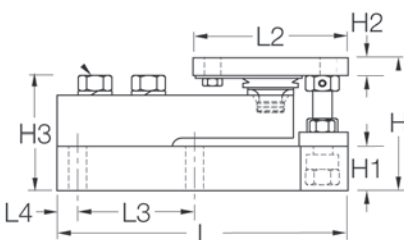
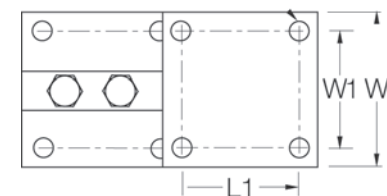
| Load Rating (Per Module)               | Part #       | Price      |
|--|--------------|------------|
| <b>NTEP Certified 3-Module Kits</b>    |              |            |
| 5 kN                                   | <b>33683</b> | \$2,575.00 |
| 10 kN                                  | <b>33682</b> | \$2,575.00 |
| 23 kN                                  | <b>33681</b> | \$2,575.00 |
| 50 kN                                  | <b>33680</b> | \$2,965.00 |
| <b>NTEP Certified 4-Module Kits</b>    |              |            |
| 5 kN                                   | <b>33678</b> | \$3,433.00 |
| 10 kN                                  | <b>33677</b> | \$3,433.00 |
| 23 kN                                  | <b>33676</b> | \$3,433.00 |
| 50 kN                                  | <b>33675</b> | \$4,372.00 |
| <b>Non-NTEP Certified 3-Module Kit</b> |              |            |
| 100 kN                                 | <b>33679</b> | \$4,712.00 |
| <b>Non-NTEP Certified 4-Module Kit</b> |              |            |
| 100 kN                                 | <b>33674</b> | \$5,803.00 |

## Dimensions

| Rated Capacity | C    | H    | H1   | *H2  | **H2 | H3   | L     | L1   | L2   | L3   | L4   | W    | W1   |
|----------------|------|------|------|------|------|------|-------|------|------|------|------|------|------|
| kN/in          |      |      |      |      |      |      |       |      |      |      |      |      |      |
| 5 to 23        | 0.44 | 3.58 | 1.25 | 0.50 | 0.75 | 3.06 | 7.51  | 3.00 | 4.00 | 3.00 | 0.50 | 4.00 | 3.00 |
| 50             | 0.56 | 4.66 | 1.50 | 0.62 | 1.00 | 4.09 | 9.19  | 3.87 | 5.00 | 3.87 | 0.56 | 5.00 | 3.87 |
| 100            | 0.69 | 6.41 | 2.00 | 0.75 | 1.25 | 5.73 | 11.46 | 4.75 | 6.00 | 4.75 | 0.69 | 6.00 | 4.75 |

\* Side-stop and free-sliding units    \*\* Fixed-pin units

C (8PLS)



## Complete Kit Includes

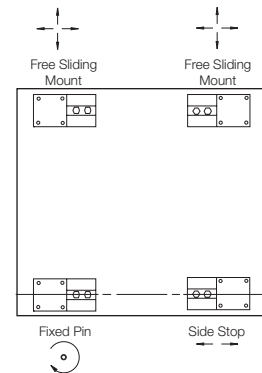
- One JB4SS NEMA Type 4X stainless steel signal trim junction box
- One fixed-pin module, one side-stop module, and one or two free-sliding assemblies. Each module is complete with a Flintec SB5 NTEP Certified 1:5000d, Class III, stainless steel environmentally protected load cell
- 25 ft of hostile environment EL147HE SURVIVOR® load cell cable

## Standard Features

- Capacities (per module): 1,125 to 22,500 lb
- NTEP Certified load cells
- Unique design allows for thermal expansion/contraction
- Jacking screw allows empty vessel to be lifted clear of load cell for maintenance
- Unique blind load hole eliminates unwanted side and eccentric loads
- Vessel is free to slide laterally on PTFE-coated surfaces
- mV/V/ohm load cell outputs allow for replacement without further calibration

## Applications

- Light- to medium-capacity tanks and hoppers
- Process measurement and control



## VESSEL ARRANGEMENT

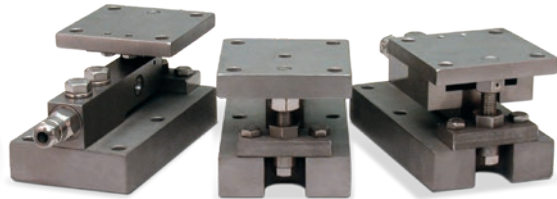
When arranged as illustrated, the vessel is fixed at one corner but is able to slide freely as indicated. This ensures there is minimal side loading on the cells and at the same time the vessel is self-checking. The unique, patented blind load hole technology used in these mounts introduces the load at the neutral axis of the load cell which helps minimize the effects of side loads.



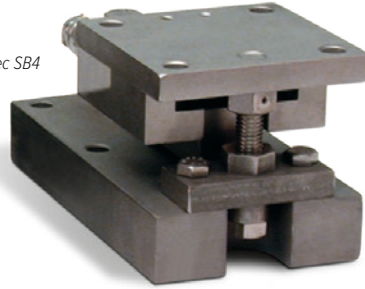
# Paramounts® HS

Hermetically Sealed, Mild Steel, Light- to Medium-capacity Tank Weighing Systems

LOAD CELLS / WEIGH MODULES



Free-sliding module with Flintec SB4 bending beam load cell



Picture is a representation of actual product.

## Load Cell Approvals



## Order Information

| Load Rating (Per Module)               | Part # | Price      |
|--|--------|------------|
| <b>NTEP Certified 3-Module Kit</b>     |        |            |
| 5 kN                                   | 29871  | \$3,280.00 |
| 10 kN                                  | 29872  | \$3,280.00 |
| 23 kN                                  | 29873  | \$3,280.00 |
| 50 kN                                  | 29874  | \$4,000.00 |
| <b>NTEP Certified 4-Module Kit</b>     |        |            |
| 5 kN                                   | 29875  | \$4,415.00 |
| 10 kN                                  | 29876  | \$4,415.00 |
| 23 kN                                  | 29877  | \$4,415.00 |
| 50 kN                                  | 29878  | \$4,975.00 |
| <b>Non-NTEP Certified 3-Module Kit</b> |        |            |
| 2.3 kN                                 | 38205  | \$4,170.00 |
| 5 kN                                   | 17977  | \$3,175.00 |
| 10 kN                                  | 17978  | \$3,175.00 |
| 23 kN                                  | 17979  | \$3,175.00 |
| 50 kN                                  | 17980  | \$3,842.00 |
| 100 kN                                 | 17981  | \$4,970.00 |

| Load Rating (Per Module)  | Part # | Price      |
|---|--------|------------|
| <b>Non-NTEP Certified 4-Module Kit</b>                                      |        |            |
| 2.3 kN  | 38206  | \$5,560.00 |
| 5 kN  | 17984  | \$4,192.00 |
| 10 kN   | 17985  | \$4,192.00 |
| 23 kN   | 17986  | \$4,192.00 |
| 50 kN   | 17987  | \$4,755.00 |
| 100 kN  | 17988  | \$6,000.00 |
| <b>Conduit Adapter Kit (must be factory installed to maintain warranty)</b> |        |            |
| 1/2-14 NPT  | 17703  | \$50.00    |

## Complete Kit Includes

- One JB4SS NEMA Type 4X stainless steel signal trim junction box
- One fixed-pin module, one side-stop module, and one or two free-sliding assemblies. Each module is complete with a Flintec SB4 or SB10 stainless steel hermetically sealed load cell
- 25 ft of hostile environment EL147HE SURVIVOR® load cell cable

## Standard Features

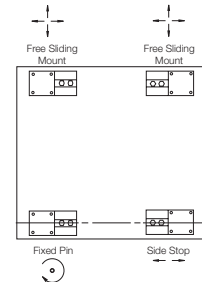
- Capacities (per module): 5 kN to 100 kN
- Unique design allows for thermal expansion/contraction
- Jacking screw allows empty vessel to be lifted clear of load cell for maintenance
- Unique blind load hole eliminates unwanted side and eccentric loads
- Vessel is free to slide laterally on PTFE-coated surfaces
- Load cell outputs are matched to  $\pm 0.07\%$  allowing replacement without further calibration

## Optional Features

- NTEP Certified load cells available: Capacities 1,125 to 11,250 lb

## Applications

- Light- to medium-capacity tanks and hoppers
- Mixers and blenders
- Process measurement and control



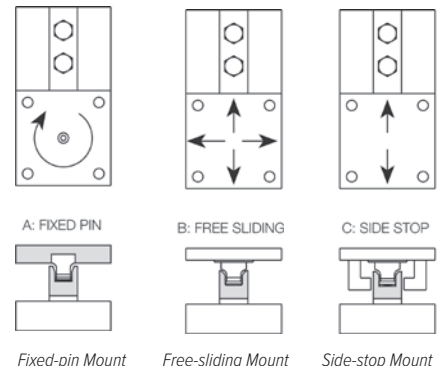
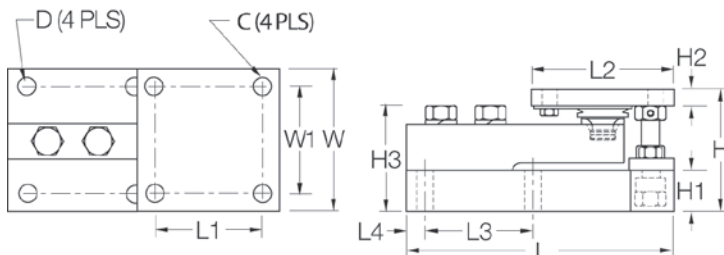
### VESSEL ARRANGEMENT

When arranged as illustrated, the vessel is fixed at one corner but is able to slide freely as indicated. This ensures there is minimal side loading on the cells and at the same time the vessel is self-checking. The unique, patented blind load hole technology used in these mounts introduces the load at the neutral axis of the load cell which helps minimize the effects of side loads.

## Dimensions

| Rated Capacity | C    | D    | H    | H1   | *H2  | **H2 | H3   | L     | L1   | L2   | L3   | L4   | W    | W1   |
|----------------|------|------|------|------|------|------|------|-------|------|------|------|------|------|------|
| 2.3 kN         | 0.38 | 0.44 | 3.49 | 1.00 | 0.50 | 0.75 | 2.98 | 7.51  | 3.00 | 4.00 | 3.00 | 0.50 | 4.00 | 3.00 |
| 5 kN to 23 kN  | 0.44 | 0.44 | 3.58 | 1.25 | 0.50 | 0.75 | 3.06 | 7.51  | 3.00 | 4.00 | 3.00 | 0.50 | 4.00 | 3.00 |
| 50 kN          | 0.56 | 0.56 | 4.66 | 1.50 | 0.62 | 1.00 | 4.09 | 9.19  | 3.87 | 5.00 | 3.87 | 0.56 | 5.00 | 3.87 |
| 100 kN         | 0.69 | 0.69 | 6.41 | 2.00 | 0.75 | 1.25 | 5.73 | 11.46 | 4.75 | 6.00 | 4.75 | 0.69 | 6.00 | 4.75 |

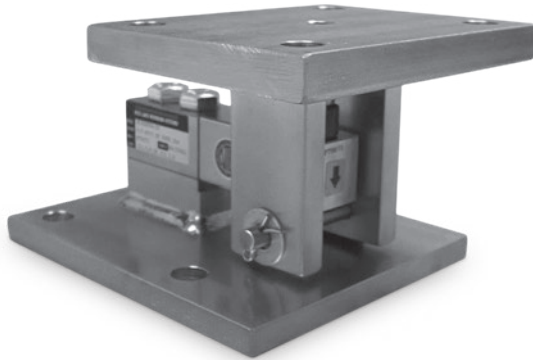
\* Side-stop and free-sliding units \*\* Fixed-pin units



# RLBTM

Mild Steel/Stainless Steel Weigh Modules

LOAD CELLS /  
WEIGH MODULES



Does not include load cell.  
Picture is a representation of actual product.

## Standard Features

- Capacities (per module): 250 to 5,000 lb SE
- Zinc plated, mild steel construction or stainless steel construction
- Self-checking, multi-directional movement
- Design incorporates a ball and cup for self-centering
- The RLBTM will accommodate a standard shear beam 250 to 5,000 lb SE load cell that has a threaded load hole such as the RL30000, RL39123, RL35023, RL35082 and RL35083

## Applications

- Light- to medium-capacity tanks and hoppers
- Conveyors

## Mild Steel Order Information

| Load Rating (Per Module)                          | Part #       | Price    |
|---|--------------|----------|
| <b>Single Module (Does NOT Include Load Cell)</b> |              |          |
| 250 lb to 5,000 lb SE                             | <b>53059</b> | \$410.00 |

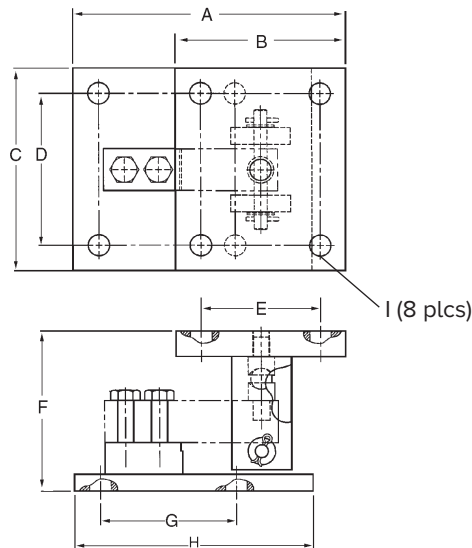
## Stainless Steel Order Information

| Load Rating (Per Module)                          | Part #       | Price    |
|---|--------------|----------|
| <b>Single Module (Does NOT Include Load Cell)</b> |              |          |
| 250 lb to 5,000 lb SE                             | <b>53066</b> | \$625.00 |

## Dimensions

| Rated Capacity   | A    | B    | C    | D    | E    | F    | G    | H    | I    |
|------------------|------|------|------|------|------|------|------|------|------|
| lb/in            |      |      |      |      |      |      |      |      |      |
| 250 to 5,000 SE* | 8.00 | 5.00 | 6.00 | 4.50 | 3.50 | 4.75 | 4.00 | 7.00 | 0.63 |

\*SE refers to small envelope



# RL1800 Series

Mild Steel/Stainless Steel Weigh Modules



Module with RL32018 single-ended beam load cell

Picture is a representation of actual product.

## Load Cell Approvals



Except 250lb and 500lb

## Mild Steel Order Information

| Load Rating (Per Module)                          | Part #       | Price      |
|---|--------------|------------|
| <b>Single Module (Does NOT Include Load Cell)</b> |              |            |
| 250 lb to 5,000 lb SE                             | <b>17817</b> | \$380.00   |
| 5,000 lb LE to 10,000 lb                          | <b>17819</b> | \$408.00   |
| <b>3-Module Kit</b>                               |              |            |
| 250 lb*   | <b>18075</b> | \$2,290.00 |
| 500 lb*   | <b>18076</b> | \$2,290.00 |
| 1,000 lb  | <b>18077</b> | \$2,290.00 |
| 2,000 lb  | <b>18078</b> | \$2,290.00 |
| 2,500 lb  | <b>18079</b> | \$2,290.00 |
| 3,000 lb  | <b>18080</b> | \$2,290.00 |
| 4,000 lb  | <b>18081</b> | \$2,290.00 |
| 5,000 lb SE                                       | <b>18082</b> | \$2,290.00 |
| 5,000 lb LE                                       | <b>18083</b> | \$2,640.00 |
| 10,000 lb   | <b>18084</b> | \$2,640.00 |
| <b>4-Module Kit</b>                               |              |            |
| 250 lb*   | <b>18085</b> | \$2,973.00 |
| 500 lb*   | <b>18086</b> | \$2,973.00 |
| 1,000 lb  | <b>18087</b> | \$2,973.00 |
| 2,000 lb  | <b>18088</b> | \$2,973.00 |
| 2,500 lb  | <b>18089</b> | \$2,973.00 |
| 3,000 lb  | <b>18090</b> | \$2,973.00 |
| 4,000 lb  | <b>18091</b> | \$2,973.00 |
| 5,000 lb SE                                       | <b>18092</b> | \$2,973.00 |
| 5,000 lb LE                                       | <b>18093</b> | \$3,418.00 |
| 10,000 lb   | <b>18094</b> | \$3,418.00 |

SE=Small envelope; LE=Large envelope

\* Non-NTEP Certified using RL30000 or RL32018 load cells.

## Dimensions

| Rated Capacity C                    | H Min/Max | H1        | L    | L1   | L2   | L3   | L4   | L5   | L6   | L7   | W    | W1   | W2   |
|-------------------------------------|-----------|-----------|------|------|------|------|------|------|------|------|------|------|------|
| <b>Mild Steel Construction</b>      |           |           |      |      |      |      |      |      |      |      |      |      |      |
| lb/in                               |           |           |      |      |      |      |      |      |      |      |      |      |      |
| 250 to 5,000SE                      | 0.62      | 5.25/5.56 | 0.50 | 6.00 | 2.00 | 1.00 | 3.00 | 2.00 | 0.68 | 1.94 | 4.00 | 5.00 | 4.00 |
| 5,000LE to 10,000                   | 0.62      | 6.12/6.62 | 0.50 | 7.75 | 3.00 | 1.50 | 3.75 | 2.00 | 1.03 | 2.97 | 4.00 | 5.00 | 4.00 |
| <b>Stainless Steel Construction</b> |           |           |      |      |      |      |      |      |      |      |      |      |      |
| lb/in                               |           |           |      |      |      |      |      |      |      |      |      |      |      |
| 1,000 to 4,000                      | 0.62      | 5.25/5.56 | 0.50 | 6.00 | 2.00 | 1.00 | 3.00 | 2.00 | 0.68 | 1.94 | 4.00 | 5.00 | 4.00 |
| 5,000 to 10,000                     | 0.62      | 6.12/6.62 | 0.50 | 7.75 | 3.00 | 1.50 | 3.75 | 2.00 | 1.03 | 2.97 | 4.00 | 5.00 | 4.00 |

## Stainless Steel Order Information

| Load Rating (Per Module)                          | Part #       | Price      |
|---|--------------|------------|
| <b>Single Module (Does NOT Include Load Cell)</b> |              |            |
| 250 lb to 4,000 lb                                | <b>17818</b> | \$610.00   |
| 5,000 lb to 10,000 lb                             | <b>17820</b> | \$645.00   |
| <b>3-Module Kit</b>                               |              |            |
| 1,000 lb  | <b>18095</b> | \$3,100.00 |
| 2,000 lb  | <b>18096</b> | \$3,100.00 |
| 2,500 lb  | <b>18097</b> | \$3,100.00 |
| 4,000 lb  | <b>18099</b> | \$3,100.00 |
| 5,000 lb LE                                       | <b>18100</b> | \$3,355.00 |
| 10,000 lb   | <b>18101</b> | \$3,355.00 |
| <b>4-Module Kit</b>                               |              |            |
| 1,000 lb  | <b>18102</b> | \$4,129.00 |
| 2,000 lb  | <b>18103</b> | \$4,129.00 |
| 2,500 lb  | <b>18104</b> | \$4,129.00 |
| 4,000 lb  | <b>18106</b> | \$4,129.00 |
| 5,000 lb LE                                       | <b>18107</b> | \$4,478.00 |
| 10,000 lb   | <b>18108</b> | \$4,478.00 |
| <b>Dummy Cell</b>                                 |              |            |
| Dummy load cell 1 k to 5 k SE                     | <b>22980</b> | \$53.00    |

## Complete Kit Includes

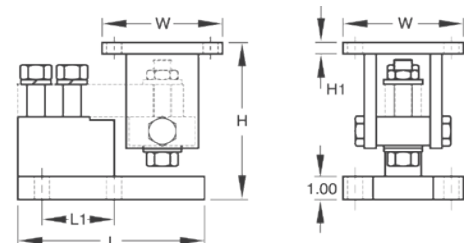
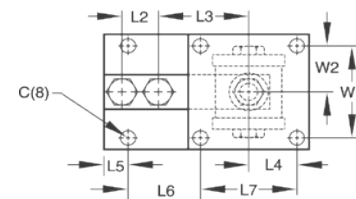
- One JB4SS NEMA Type 4X stainless steel signal trim junction box
- Three or four RL1800 mild steel or stainless steel compression mounts
- Three or four RL32018 single-ended beam load cells, RL32018S used in stainless steel
- 25 ft of hostile environment EL147HE SURVIVOR® load cell cable

## Standard Features

- Capacities (per module): 250 to 10,000 lb
- NTEP Certified cells in 1,000 to 10,000 lb capacities, except 3,000 lb
- Zinc plated mild steel/stainless steel construction
- Center-pivoted, tension loading design
- Self-checking, multi-directional movement
- Load is suspended on high-strength bolt instead of wire rope
- Design incorporates spherical washers for self centering
- Stainless steel kit includes RL32018S NTEP Certified load cell

## Applications

- Conveyors
- Medium-capacity tanks and hoppers
- Mixers and blenders
- Process measurement and control

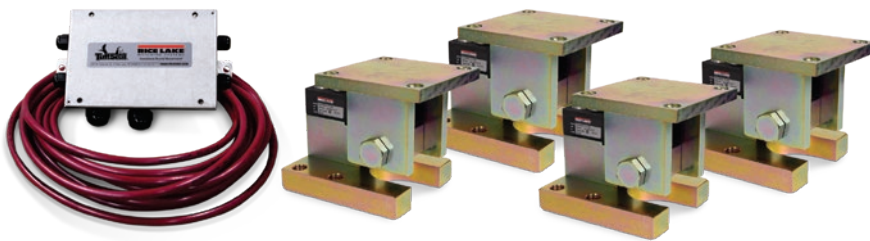


LOAD CELLS / WEIGH MODULES

# RL1800 Series Painted Load Cell Version

Stainless Steel Weigh Modules

LOAD CELLS /  
WEIGH MODULES



Module with RL35023S painted single-ended beam load cell

Picture is a representation of actual product.

## Load Cell Approvals

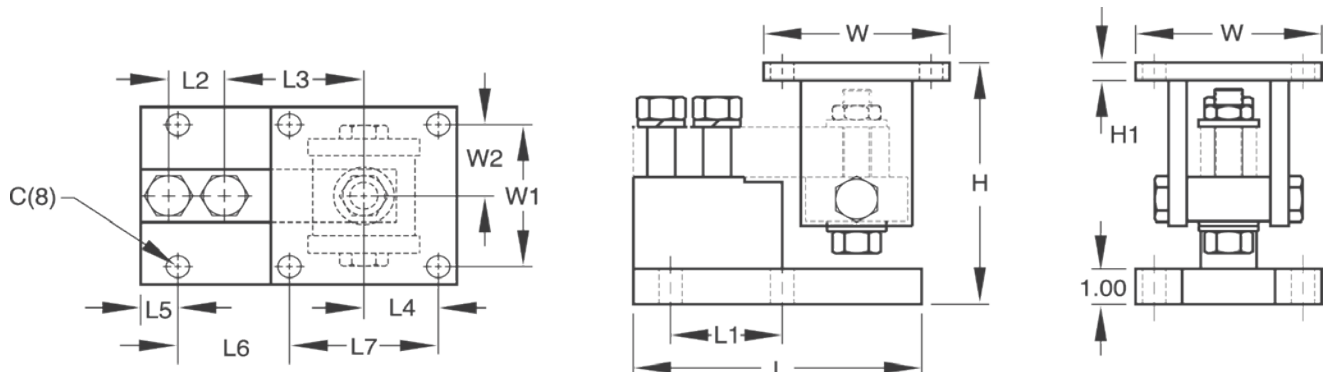


## Stainless Steel Order Information

| Load Rating (Per Module)                          | Part #        | Price      |
|---|---------------|------------|
| <b>Single Module (Does NOT Include Load Cell)</b> |               |            |
| 1,000 lb-4,000 lb                                 | <b>17818</b>  | \$610.00   |
| 5,000 lb-10,000 lb                                | <b>17820</b>  | \$645.00   |
| <b>3-Module Kit</b>                               |               |            |
| 1,000 lb  | <b>188177</b> | \$3,085.00 |
| 2,000 lb  | <b>188179</b> | \$3,085.00 |
| 2,500 lb  | <b>188181</b> | \$3,085.00 |
| 4,000 lb  | <b>188183</b> | \$3,085.00 |
| 5,000 lb  | <b>188185</b> | \$3,340.00 |
| 10,000 lb   | <b>188187</b> | \$3,340.00 |
| <b>4-Module Kit</b>                               |               |            |
| 1,000 lb  | <b>188178</b> | \$4,112.00 |
| 2,000 lb  | <b>188180</b> | \$4,112.00 |
| 2,500 lb  | <b>188182</b> | \$4,112.00 |
| 4,000 lb  | <b>188184</b> | \$4,112.00 |
| 5,000 lb  | <b>188186</b> | \$4,450.00 |
| 10,000 lb   | <b>188188</b> | \$4,450.00 |

## Dimensions

| Rated Capacity C | H Min/Max | H1        | L    | L1   | L2   | L3   | L4   | L5   | L6   | L7   | W    | W1   | W2   |      |
|------------------|-----------|-----------|------|------|------|------|------|------|------|------|------|------|------|------|
| <b>lb/in</b>     |           |           |      |      |      |      |      |      |      |      |      |      |      |      |
| 1,000 to 4,000   | 0.62      | 5.25/5.56 | 0.50 | 6.00 | 2.00 | 1.00 | 3.00 | 2.00 | 0.68 | 1.94 | 4.00 | 5.00 | 4.00 | 2.00 |
| 5,000 to 10,000  | 0.62      | 6.12/6.62 | 0.50 | 7.75 | 3.00 | 1.50 | 3.75 | 2.00 | 1.03 | 2.97 | 4.00 | 5.00 | 4.00 | 2.00 |



## Complete Kit Includes

- One JB4SS NEMA Type 4X stainless steel signal trim junction box
- Three or four RL1800 stainless steel compression mounts
- Three or four RL35023S painted stainless steel single-ended beam load cells
- 25 ft of hostile environment EL147HE SURVIVOR® load cell cable

## Standard Features

- Capacities (per module): 1,000 to 10,000 lb
- NTEP Certified cells in 1,000 to 10,000 lb capacities
- Stainless steel construction
- Center-pivoted, tension loading design
- Self-checking, multi-directional movement
- Load is suspended on high-strength bolt instead of wire rope
- Design incorporates spherical washers for self centering
- Painted load cells for corrosion protection

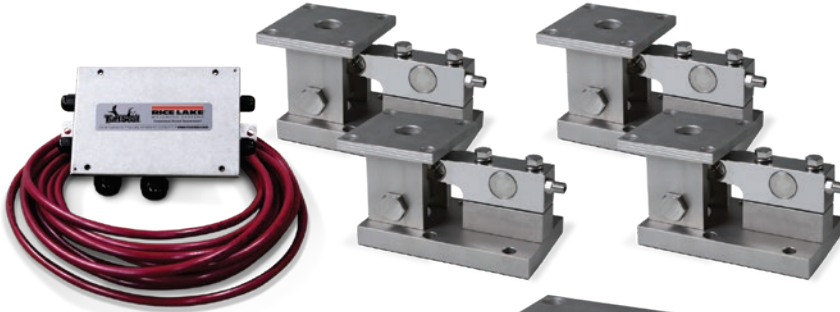
## Applications

- Conveyors
- Medium-capacity tanks and hoppers

# RL1900 Series

## Stainless Steel Weigh Modules

LOAD CELLS /  
WEIGH MODULES



Module with welded-seal RLSSB single-ended beam load cell

Picture is a representation of actual product.

### Load Cell Approvals

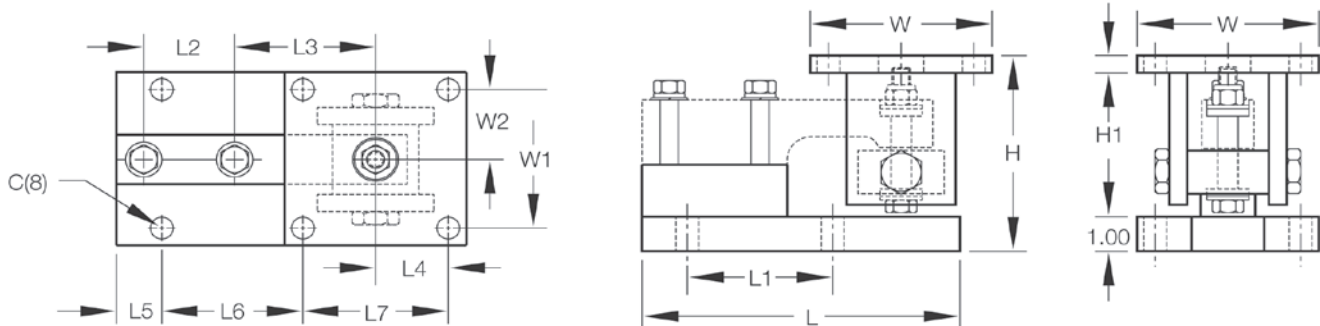


### Order Information

| Load Rating (Per Module)                          | Part #       | Price      |
|---|--------------|------------|
| <b>Single Module (Does NOT Include Load Cell)</b> |              |            |
| 1,000 lb to 5,000 lb                              | <b>17841</b> | \$667.00   |
| 10,000 lb   | <b>17843</b> | \$725.00   |
| <b>3-Module Kit</b>                               |              |            |
| 1,000 lb  | <b>18109</b> | \$4,187.00 |
| 2,000 lb  | <b>18110</b> | \$4,187.00 |
| 5,000 lb  | <b>18111</b> | \$4,187.00 |
| 10,000 lb   | <b>18112</b> | \$4,665.00 |
| <b>4-Module Kit</b>                               |              |            |
| 1,000 lb  | <b>18113</b> | \$5,575.00 |
| 2,000 lb  | <b>18114</b> | \$5,575.00 |
| 5,000 lb  | <b>18115</b> | \$5,575.00 |
| 10,000 lb   | <b>18116</b> | \$6,175.00 |

### Dimensions

| Rated Capacity C | H Min/Max | H1        | L    | L1   | L2   | L3   | L4   | L5   | L6   | L7   | W    | W1   | W2   |      |
|------------------|-----------|-----------|------|------|------|------|------|------|------|------|------|------|------|------|
| lb/in            |           |           |      |      |      |      |      |      |      |      |      |      |      |      |
| 1,000 to 5,000   | 0.62      | 5.38/5.62 | 0.50 | 8.75 | 4.00 | 2.50 | 3.88 | 2.00 | 1.12 | 4.00 | 4.00 | 5.00 | 4.00 | 2.00 |
| 10,000           | 0.81      | 6.88/7.50 | 1.00 | 9.75 | 5.00 | 2.63 | 4.88 | 2.25 | 1.00 | 5.00 | 4.50 | 6.00 | 4.50 | 2.25 |



### Complete Kit Includes

- One JB4SS NEMA Type 4X stainless steel signal trim junction box
- Three or four RL1900 stainless steel compression mounts
- Three or four RLSSB welded stainless steel single-ended beam load cells
- 25 ft of hostile environment EL147HE SURVIVOR® load cell cable

### Standard Features

- NTEP Certified load cells, 1:5000d, Class III single cell
- Capacities (per module): 1,000 to 10,000lb
- 304 stainless steel construction
- Center-pivoted, tension loading design
- Welded-seal stainless steel load cells, IP67
- Self-checking, multi-directional movement
- Easy load cell replacement
- Load is suspended on high-strength bolt instead of wire rope
- Design incorporates spherical washers

### Optional Features

- Also compatible with RTI SSB load cells

### Applications

- Medium-capacity tanks, bins and hoppers
- Washdown applications

# RLTM

Stainless Steel Tank Weigh Modules

LOAD CELLS /  
WEIGH MODULES



Picture is a representation of actual product.

## Load Cell Approvals

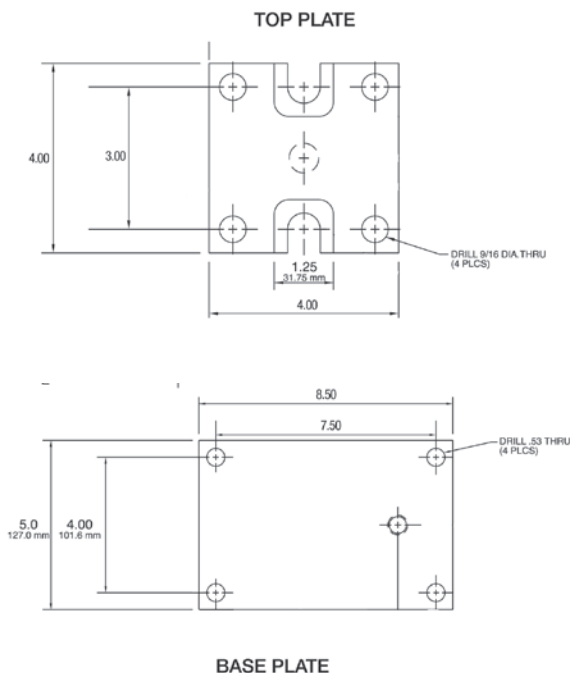
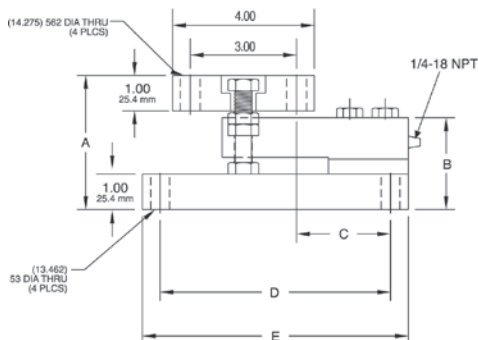


## Order Information

| Load Rating (Per Module)                  | Part # | Price      |
|---|--------|------------|
| <b>Single Module (Includes Load Cell)</b> |        |            |
| 500 lb                                    | 159288 | \$1,057.00 |
| 1,250 lb                                  | 159289 | \$1,057.00 |
| 2,500 lb                                  | 159290 | \$1,057.00 |
| 5,000 lb                                  | 159291 | \$1,277.00 |
| 10,000 lb                                 | 159292 | \$1,277.00 |
| <b>3-Module Kit</b>                       |        |            |
| 500 lb                                    | 162942 | \$3,297.00 |
| 1,250 lb                                  | 162944 | \$3,297.00 |
| 2,500 lb                                  | 162945 | \$3,297.00 |
| 5,000 lb                                  | 162946 | \$4,080.00 |
| 10,000 lb                                 | 162947 | \$4,080.00 |
| <b>4-Module Kit</b>                       |        |            |
| 500 lb                                    | 162948 | \$4,350.00 |
| 1250 lb                                   | 162949 | \$4,350.00 |
| 2500 lb                                   | 162950 | \$4,350.00 |
| 5000 lb                                   | 162951 | \$5,240.00 |
| 10,000 lb                                 | 162953 | \$5,240.00 |

## Dimensions

| Rated Capacity     | A    | B    | C    | D    | E    |
|--------------------|------|------|------|------|------|
| 500 to 2,500 lb/in | 3.77 | 2.59 | 2.62 | 6.50 | 7.50 |
| 5,000              | 3.99 | 2.83 | 2.62 | 6.50 | 7.50 |
| 10,000             | 4.27 | 3.08 | 3.88 | 7.50 | 8.50 |



## Complete Kit Includes

- One JB4SS NEMA Type 4X stainless steel signal trim junction box
- Three or four Rice Lake RLTM stainless steel mounting assemblies
- Three or four RL32018S-T stainless steel load cells
- 25 ft of hostile environment EL147HE SURVIVOR® load cell cable

## Standard Features

- Capacities: 500 to 10,000 lb
- Stainless steel
- Overload and uplift protection
- Rocker pin loading
- Welded-seal load cells
- Integral lateral stops
- 30 ft cable on load cells

## Applications

- Lower capacity tank and vessel weighing
- Process control and batching

# RL9000TWM Series

Stainless Steel, Tank, Hopper and Vessel Weighing Assembly

LOAD CELLS /  
WEIGH MODULES



Assembly with integral  
RL9000TWM compression disk load cell.

Picture is a representation of actual product.

## Load Cell Approvals



## Complete Kit Includes

- One JB4SS NEMA Type 4X stainless steel signal trim junction box
- Three or four stainless steel mounting assemblies
- 25 ft of hostile environment EL147HE SURVIVOR® load cell cable

## Standard Features

- Capacities: 1,000 to 450,000lb
- Very low profile design
- 3 mV/V output
- Self-centering
- Self-checking assembly
- Offers 100% sideload, 100% uplift and 150% static safe load and 300% ultimate static overload protection
- Stainless steel construction
- Welded seal
- Weighs accurately with as much as a 3° non-parallel load
- Includes 25 ft load cell cable

## Optional Features

- Stainless steel top plates (150,000 to 450,000 lb have mild steel painted base plate)

## Applications

- Tank, hopper or vessel weighing

## Specifications

### Full Scale Output:

3 ( $\pm$  0.1%) mV/V

### Bridge Resistance:

350 ohm

### Material/Finish:

Stainless steel

### Operating Temperature:

0 °F to 150 °F (-17 °C to 65 °C)

### Seal Type:

Welded-seal, IP67

### Safe Overload:

150% Full scale

### Rated Excitation:

5 to 10 VDC

### Insulation Resistance:

5,000 megohm

### Non-linearity:

1 to 100 K: 0.05% FS  
150 to 450 K: 0.1% FS

### Non-repeatability:

1 to 100 K: 0.02% full scale  
150 to 450 K: 0.03% full scale

### Cable Length:

25 ft

### Deflection at Capacity:

1 to 15 K: 0.002in  
20 to 50 K: 0.004in  
60 to 100 K: 0.007in  
150 to 200 K: 0.007in  
250 to 400 K: 0.009in

### Cable Color Code:

Green +Excitation  
Black -Excitation  
White +Signal  
Red -Signal

### Warranty:

Two-year limited

# RL9000TWM Series

Stainless Steel, Tank, Hopper and Vessel Weighing Assembly

LOAD CELLS / WEIGH MODULES

## Order information

| Load Rating (Per Module) | Part # | Price       |
|--------------------------|--------|-------------|
| <b>Single Module</b>     |        |             |
| 1,000 lb                 | 84353  | \$710.00    |
| 2,500 lb                 | 84354  | \$710.00    |
| 5,000 lb                 | 84355  | \$710.00    |
| 10,000 lb                | 84356  | \$710.00    |
| 15,000 lb                | 84357  | \$710.00    |
| 20,000 lb                | 84358  | \$1,350.00  |
| 25,000 lb                | 84359  | \$1,350.00  |
| 35,000 lb                | 84360  | \$1,350.00  |
| 50,000 lb                | 84361  | \$1,350.00  |
| 60,000 lb                | 84362  | \$2,255.00  |
| 75,000 lb                | 84363  | \$2,255.00  |
| 100,000 lb               | 84364  | \$2,255.00  |
| 150,000 lb               | 84365  | \$4,600.00  |
| 200,000 lb               | 84366  | \$4,600.00  |
| 250,000 lb               | 84368  | \$6,750.00  |
| 300,000 lb               | 84369  | \$6,750.00  |
| 400,000 lb               | 84370  | \$6,750.00  |
| 450,000 lb               | 84371  | \$6,750.00  |
| <b>3-Module Kit</b>      |        |             |
| 1,000 lb                 | 98974  | \$2,355.00  |
| 2,500 lb                 | 98980  | \$2,355.00  |
| 5,000 lb                 | 98981  | \$2,355.00  |
| 10,000 lb                | 98982  | \$2,355.00  |
| 15,000 lb                | 98983  | \$2,355.00  |
| 20,000 lb                | 98984  | \$4,275.00  |
| 25,000 lb                | 98985  | \$4,275.00  |
| 35,000 lb                | 98986  | \$4,275.00  |
| 50,000 lb                | 98987  | \$4,275.00  |
| 60,000 lb                | 98988  | \$6,930.00  |
| 75,000 lb                | 98989  | \$6,930.00  |
| 100,000 lb               | 98990  | \$6,930.00  |
| 150,000 lb               | 98991  | \$13,935.00 |
| 200,000 lb               | 98992  | \$13,935.00 |
| 250,000 lb               | 98993  | \$20,415.00 |
| 300,000 lb               | 98994  | \$20,415.00 |
| 400,000 lb               | 98995  | \$20,415.00 |
| 450,000 lb               | 98996  | \$20,415.00 |
| <b>4-Module Kit</b>      |        |             |
| 1,000 lb                 | 98997  | \$2,970.00  |
| 2,500 lb                 | 98998  | \$2,970.00  |
| 5,000 lb                 | 98999  | \$2,970.00  |
| 10,000 lb                | 99000  | \$2,970.00  |
| 15,000 lb                | 99001  | \$2,970.00  |
| 20,000 lb                | 99002  | \$5,530.00  |
| 25,000 lb                | 99003  | \$5,530.00  |
| 35,000 lb                | 99004  | \$5,530.00  |
| 50,000 lb                | 99005  | \$5,530.00  |
| 60,000 lb                | 99006  | \$9,110.00  |
| 75,000 lb                | 99007  | \$9,110.00  |
| 100,000 lb               | 99008  | \$9,110.00  |
| 150,000 lb               | 99009  | \$18,435.00 |
| 200,000 lb               | 99010  | \$18,435.00 |
| 250,000 lb               | 99011  | \$27,050.00 |
| 300,000 lb               | 99012  | \$27,050.00 |
| 400,000 lb               | 99013  | \$27,050.00 |
| 450,000 lb               | 99014  | \$27,050.00 |

| Load Rating (Per Module)                       | Part # | Price      |
|--|--------|------------|
| <b>Top Plates (Stainless Steel) with bolts</b> |        |            |
| 1,000 to 15,000 lb                             | 91207  | \$125.00   |
| 20,000 to 50,000 lb                            | 91210  | \$285.00   |
| 60,000 to 100,000 lb                           | 91211  | \$465.00   |
| 150,000 to 200,000 lb                          | 91213  | \$740.00   |
| 250,000 to 450,000 lb                          | 91215  | \$1,710.00 |
| <b>Top Plates (Mild Steel) with bolts</b>      |        |            |
| 1,000 to 15,000 lb                             | 124758 | \$60.00    |
| 20,000 to 50,000 lb                            | 125141 | \$115.00   |
| 60,000 to 100,000 lb                           | 124759 | \$165.00   |
| 150,000 to 200,000 lb                          | 124760 | \$262.00   |
| 250,000 to 450,000 lb                          | 124761 | \$388.00   |
| <b>Dummy Weigh Modules (non-functioning)</b>   |        |            |
| 1,000 to 10,000 lb                             | 158749 | \$100.00   |
| 15,000 lb                                      | 158750 | \$130.00   |
| 20,000 to 50,000 lb                            | 158752 | \$145.00   |
| 60,000 to 100,000 lb                           | 158753 | \$160.00   |
| 150,000 to 200,000 lb                          | 158754 | \$410.00   |
| 250,000 to 450,000 lb                          | 158755 | \$435.00   |

150,000 to 450,000 lb have mild steel painted base plates

## Order information

| Capacity                 | Thickness | Material | Part # | Price   |
|--------------------------|-----------|----------|--------|---------|
| <b>Shims</b>             |           |          |        |         |
| 1,000 to 15,000 lb       | 0.0625    | SST      | 167001 | \$6.00  |
| 1,000 to 15,000 lb       | 0.125     | SST      | 167002 | \$8.00  |
| 1,000 to 15,000 lb       | 0.250     | SST      | 167003 | \$11.00 |
| 1,000 to 15,000 lb       | 0.0625    | MS       | 167004 | \$2.50  |
| 1,000 to 15,000 lb       | 0.125     | MS       | 167005 | \$2.75  |
| 1,000 to 15,000 lb       | 0.250     | MS       | 167006 | \$3.25  |
| 20,000 lb to 50,000 lb   | 0.0625    | SST      | 167008 | \$15.00 |
| 20,000 lb to 50,000 lb   | 0.125     | SST      | 167009 | \$22.00 |
| 20,000 lb to 50,000 lb   | 0.250     | SST      | 167010 | \$34.00 |
| 20,000 lb to 50,000 lb   | 0.0625    | MS       | 167011 | \$9.00  |
| 20,000 lb to 50,000 lb   | 0.125     | MS       | 167012 | \$9.00  |
| 20,000 lb to 50,000 lb   | 0.250     | MS       | 167013 | \$10.00 |
| 60,000 lb to 100,000 lb  | 0.0625    | SST      | 167014 | \$24.00 |
| 60,000 lb to 100,000 lb  | 0.125     | SST      | 167015 | \$34.00 |
| 60,000 lb to 100,000 lb  | 0.250     | SST      | 167016 | \$53.00 |
| 150,000 lb to 200,000 lb | 0.0625    | SST      | 167020 | \$32.00 |
| 150,000 lb to 200,000 lb | 0.125     | SST      | 167021 | \$40.00 |
| 150,000 lb to 200,000 lb | 0.250     | SST      | 167022 | \$65.00 |
| 250,000 lb to 450,000 lb | 0.0625    | SST      | 167026 | \$40.00 |
| 250,000 lb to 450,000 lb | 0.125     | SST      | 167027 | \$58.00 |
| 250,000 lb to 450,000 lb | 0.250     | SST      | 167028 | \$75.00 |

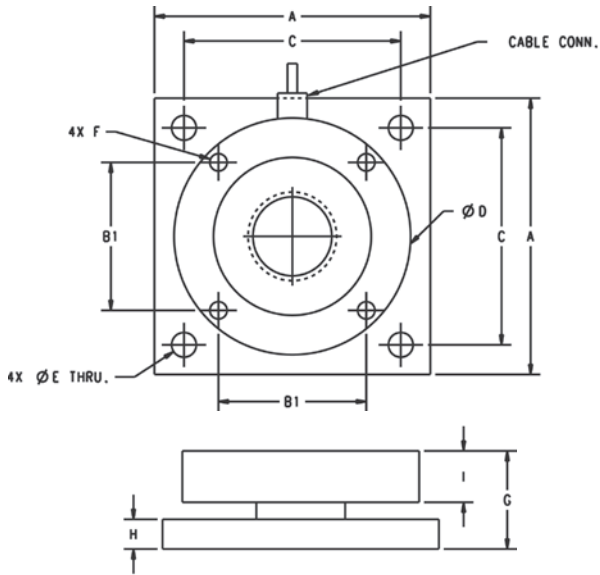
Shims match dimensions of base plate and optional top plate



# RL9000TWM Series

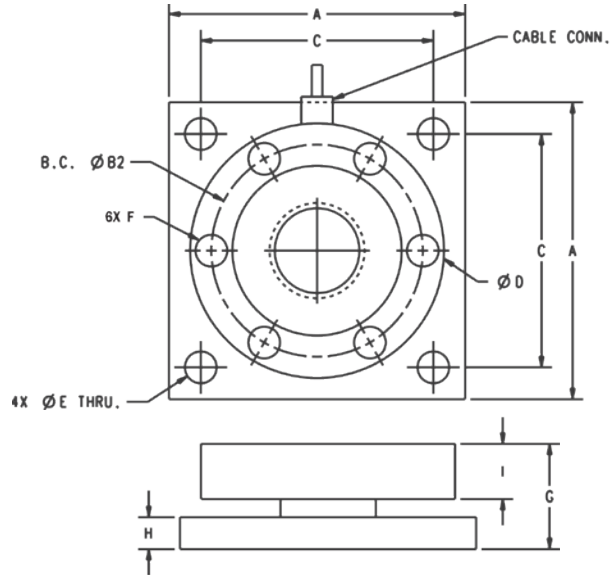
Stainless Steel, Tank, Hopper and Vessel Weighing Assembly

LOAD CELLS /  
WEIGH MODULES



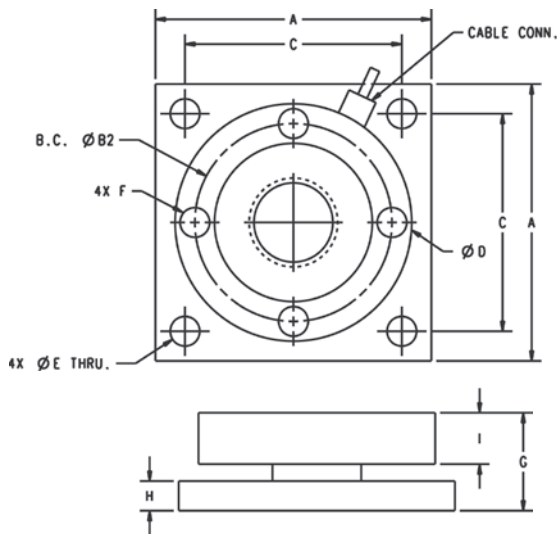
## Dimensions

| Rated Capacity    | A    | B1   | C    | D    | E    | F          | G    | H     | I    | Conduit Adapter |
|-------------------|------|------|------|------|------|------------|------|-------|------|-----------------|
| 1,000 to 10,000   | 4.00 | 2.00 | 3.25 | 3.50 | 0.40 | 3/8-16 UNC | 1.35 | 0.375 | 0.75 | -               |
| 15,000            | 4.00 | 2.00 | 3.25 | 3.50 | 0.40 | 3/8-16 UNC | 1.60 | 0.625 | 0.75 | -               |
| 20,000 to 50,000  | 7.00 | 3.75 | 5.50 | 6.00 | 0.63 | 1/2-13 UNC | 2.48 | 0.75  | 1.30 | 1/2-14 NPT      |
| 60,000 to 100,000 | 8.00 | 4.25 | 6.50 | 7.00 | 0.81 | 3/4-16 UNC | 2.50 | 1.00  | 1.30 | 1/2-14 NPT      |



## Dimensions

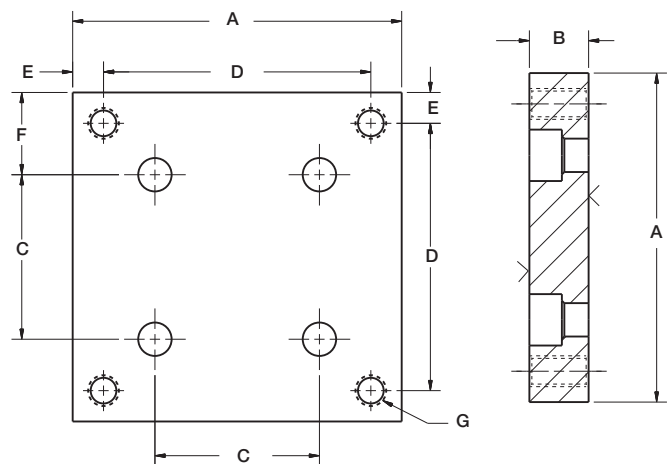
| Rated Capacity     | A     | B2   | C    | D    | E    | F          | G    | H    | I    | Conduit Adapter |
|--------------------|-------|------|------|------|------|------------|------|------|------|-----------------|
| 250,000 to 450,000 | 11.00 | 7.75 | 9.00 | 9.00 | 1.30 | 7/8-14 UNF | 6.42 | 3.00 | 2.25 | 1/2-14 NPT      |



## Dimensions

| Rated Capacity     | A    | B2    | C    | D    | E    | F        | G    | H    | I    | Conduit Adapter |
|--------------------|------|-------|------|------|------|----------|------|------|------|-----------------|
| 150,000 to 200,000 | 10.0 | 7.825 | 8.00 | 9.00 | 1.10 | 1-14 UNF | 4.75 | 2.00 | 1.70 | 1/2-14 NPT      |

## Optional Top Plates



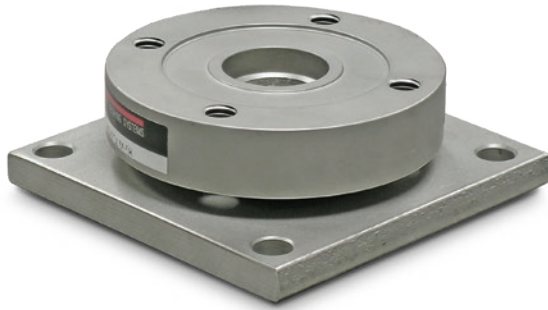
## Dimensions

| Rated Capacity     | A     | B    | C         | D    | E    | F    | G            |
|--------------------|-------|------|-----------|------|------|------|--------------|
| 1,000 to 15,000    | 4.00  | 0.72 | 2.00      | 3.25 | 0.38 | 1.00 | 3/8-16 UNC   |
| 20,000 to 50,000   | 7.00  | 0.97 | 3.75      | 5.50 | 0.75 | 1.62 | 5/8-11 UNC   |
| 60,000 to 100,000  | 8.00  | 1.46 | 4.25      | 6.50 | 0.75 | 1.88 | 3/4-16 UNF   |
| 150,000 to 200,000 | 10.00 | 1.94 | 5.53      | 8.00 | 1.00 | 2.25 | 1-14 UNS     |
| 250,000 to 450,000 | 11.00 | 2.94 | 7.75 B.C. | 9.00 | 1.00 | 1.00 | 1-1/4-12 UNF |

# RL9000TWM-HT

Tank, Hopper and Vessel Weigh Module

LOAD CELLS /  
WEIGH MODULES



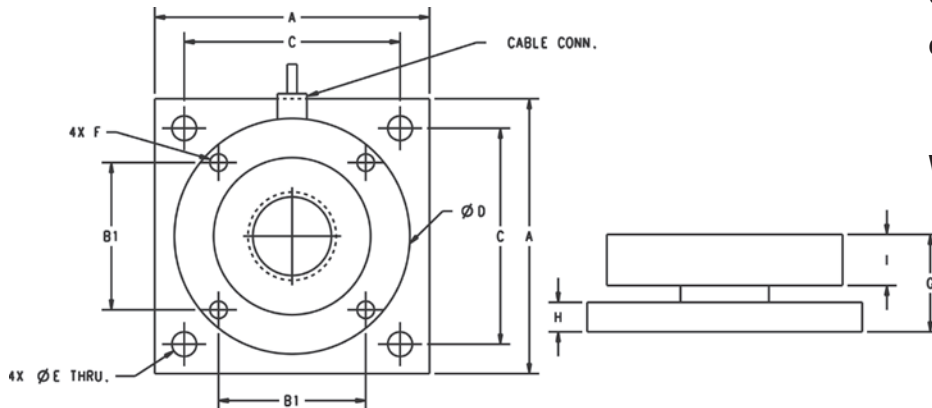
Picture is a representation of actual product.

## Order Information

| Load Rating (per module)                       | Part # | Price      |
|--|--------|------------|
| <b>Single Module</b>                           |        |            |
| 1,000 lb                                       | 117050 | \$1,225.00 |
| 2,500 lb                                       | 117051 | \$1,225.00 |
| 5,000 lb                                       | 117052 | \$1,225.00 |
| 10,000 lb                                      | 117140 | \$1,225.00 |
| 15,000 lb                                      | 117053 | \$1,225.00 |
| 20,000 lb                                      | 117054 | \$1,945.00 |
| 25,000 lb                                      | 117055 | \$1,945.00 |
| 35,000 lb                                      | 117056 | \$1,945.00 |
| 50,000 lb                                      | 117057 | \$1,945.00 |
| <b>Top Plates (Stainless Steel) with bolts</b> |        |            |
| 1,000 lb to 15,000 lb                          | 91207  | \$125.00   |
| 20,000 lb to 50,000 lb                         | 91210  | \$285.00   |
| <b>Top Plates (Mild Steel) with bolts</b>      |        |            |
| 1,000 to 15,000 lb                             | 124758 | \$60.00    |
| 20,000 to 50,000 lb                            | 125141 | \$115.00   |

## Dimensions

| Rated Capacity   | A    | B1   | C    | D    | E    | F          | G    | H     | I    | Conduit Adapter |
|------------------|------|------|------|------|------|------------|------|-------|------|-----------------|
| lb/in            |      |      |      |      |      |            |      |       |      |                 |
| 1,000 to 10,000  | 4.00 | 2.00 | 3.25 | 3.50 | 0.40 | 3/8-16 UNC | 1.35 | 0.375 | 0.75 | -               |
| 15,000           | 4.00 | 2.00 | 3.25 | 3.50 | 0.40 | 3/8-16 UNC | 1.60 | 0.625 | 0.75 | -               |
| 20,000 to 50,000 | 7.00 | 3.75 | 5.50 | 6.00 | 0.63 | 1/2-13 UNC | 2.48 | 0.750 | 1.30 | 1/2-14NPT       |



## Standard Features

- Capacities: 1,000 to 50,000 lb
- Very low profile design
- 3 mV/V output
- Self-centering
- Self-checking assembly
- Offers 100% side load, 100% uplift, 150% safe load and 300% ultimate overload protection
- Stainless steel construction
- Welded seal
- Weighs accurately with as much as a 3° non-parallel load
- Integral 25 ft PTFE cable

## Optional Features

- Stainless steel top plates
- Higher capacities available upon request

## Applications

- Tank, hopper or vessel weighing
- High temperature applications

## Specifications

### Full Scale Output:

3 (± 0.1%) mV/V

### Bridge Resistance:

700 ohm

### Material/Finish:

Stainless steel

### Safe Overload:

150% Full scale

### Non-linearity:

0.05% full scale

### Non-repeatability:

0.02% full scale

### Operating Temperature:

0 °F to 400 °F

### Insulation Resistance:

5,000 megohm

### Seal Type:

Welded seal, IP67

### Deflection at Capacity:

1 to 15 K: 0.002 in  
20 to 50 K: 0.004 in

### Cable Length:

25 ft PTFE Jacket

### Cable Color Code:

Green +Excitation  
Black -Excitation  
White +Signal  
Red -Signal

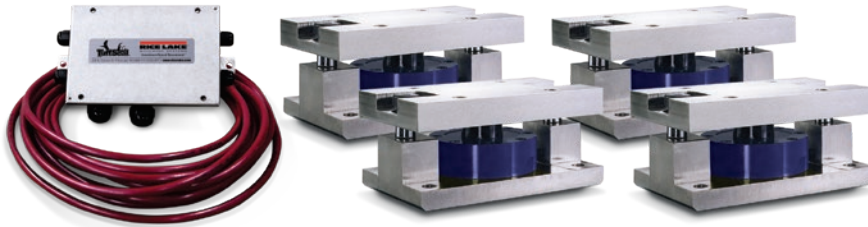
### Warranty:

Two-year limited

# RL2200 Series

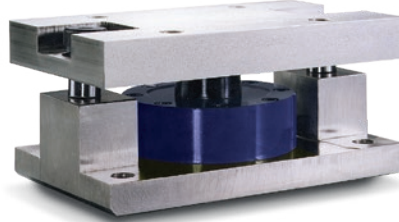
Tank, Hopper and Vessel Weighing Assembly

LOAD CELLS /  
WEIGH MODULES



Assembly with integral  
RL2200 compression disk load cell

Picture is a representation of actual product.



## Complete Kit Includes

- One JB4SS NEMA Type 4X stainless steel signal trim junction box
- Three or four RL2200 high-alloy, zinc-plated steel mounting assemblies
- Three or four RL2200 compression disk load cells
- 25 ft of hostile environment EL147HE SURVIVOR® load cell cable

## Standard Features

- Capacities: 2,500 to 50,000 lb
- Low-profile design
- High 4 mV/V output (2 mV/V, 2,500 lb)
- Self-centering in all directions, able to withstand excessive side loads
- Self-checking assembly

## Applications

- Tank, hopper or vessel weighing
- Belt or roller conveyors
- Scale platforms and screw feeders

## Specifications

### Full Scale Output:

4.0 mV/V  
2.0 mV/V (2,500 lb)

### Bridge Resistance:

350 ohm nominal

### Material/Finish:

High-alloy steel, painted

### Safe Overload:

150% full scale

### Rated Excitation:

5 to 10 VDC (20 V maximum)

### Nonlinearity:

0.05% full scale

### Hysteresis:

0.03% full scale

### Temperature:

Compensated range  
15 °F to 115 °F (-9 °C to 46 °C)

### Insulation Resistance:

5,000 megohm

### Seal Type:

Environmentally sealed

### Cable Length:

30 ft

### Cable Color Code:

Red +Excitation  
Black -Excitation  
White +Signal  
Green -Signal

### Warranty:

Two-year limited

## Order Information

| Load Rating (Per Module) | Part # | Price      |
|--------------------------|--------|------------|
| <b>Single Module</b>     |        |            |
| 2,500 lb                 | 76656  | \$1,870.00 |
| 5,000 lb                 | 45849  | \$1,870.00 |
| 10,000 lb                | 45848  | \$1,870.00 |
| 25,000 lb                | 45847  | \$2,517.00 |
| 50,000 lb                | 45846  | \$2,517.00 |
| <b>3-Module Kit</b>      |        |            |
| 2,500 lb                 | 76897  | \$5,595.00 |
| 5,000 lb                 | 42811  | \$5,595.00 |
| 10,000 lb                | 42812  | \$5,595.00 |
| 25,000 lb                | 42813  | \$7,219.00 |
| 50,000 lb                | 42814  | \$7,219.00 |
| <b>4-Module Kit</b>      |        |            |
| 2,500 lb                 | 76898  | \$7,398.00 |
| 5,000 lb                 | 42815  | \$7,398.00 |
| 10,000 lb                | 42816  | \$7,398.00 |
| 25,000 lb                | 42817  | \$8,565.00 |
| 50,000 lb                | 42818  | \$8,565.00 |

## Replacement Load Cell Order Information

| Load Rating (Per Module) | Part # | Price      |
|--------------------------|--------|------------|
| 2,500 lb                 | 76654  | \$1,325.00 |
| 5,000 lb                 | 45708  | \$1,325.00 |
| 10,000 lb                | 45709  | \$1,325.00 |
| 25,000 lb                | 45710  | \$1,669.00 |
| 50,000 lb                | 45711  | \$1,669.00 |

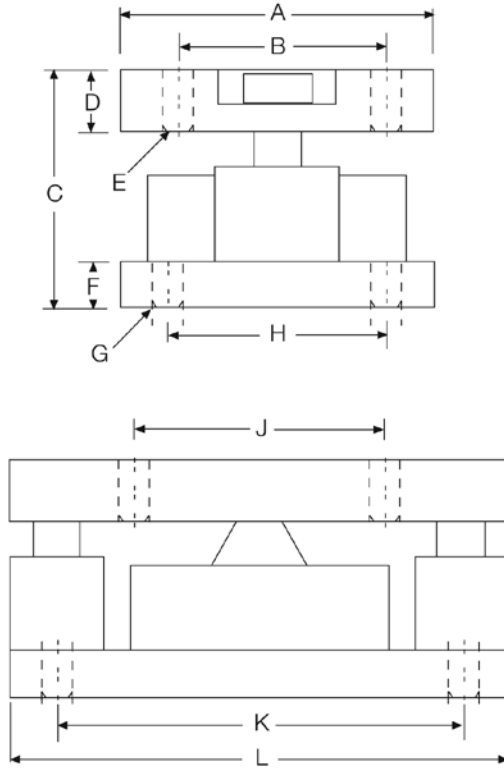
# RL2200 Series

Tank, Hopper and Vessel Weighing Assembly

LOAD CELLS /  
WEIGH MODULES

## Dimensions

| Rated Capacity   | A    | B    | C    | D    | E    | F   | G    | H    | J    | K    | L    |
|------------------|------|------|------|------|------|-----|------|------|------|------|------|
| lb/in            |      |      |      |      |      |     |      |      |      |      |      |
| 2,500 to 10,000  | 5.00 | 3.50 | 4.00 | 1.00 | 0.52 | 1.0 | 0.52 | 3.50 | 4.00 | 6.50 | 8.00 |
| 25,000 to 50,000 | 6.00 | 4.50 | 5.00 | 1.25 | 0.78 | 1.0 | 0.78 | 4.50 | 5.00 | 7.75 | 10.0 |



# RL2200SS Series

Stainless Steel, Tank, Hopper and Vessel Weighing Assembly

LOAD CELLS / WEIGH MODULES



Assembly with integral RL2200SS compression disk load cell

Picture is a representation of actual product.

## Complete Kit Includes

- One JB4SS NEMA Type 4X stainless steel signal trim junction box
- Three or four RL2200 stainless steel mounting assemblies
- Three or four RL2200SS stainless steel, hermetically sealed, compression disk load cells
- 25 ft of hostile environment EL147HE SURVIVOR® load cell cable

## Applications

- Tank, hopper or vessel weighing
- Belt or roller conveyors
- Scale platforms and screw feeders

## Specifications

### Full Scale Output:

4.0 mV/V  
2.0 mV/V (2,500 lb)

### Bridge Resistance:

350 ohm nominal

### Material/Finish:

Stainless steel

### Safe Overload:

150% full scale

### Rated Excitation:

5 to 10 VDC (20 V maximum)

### Nonlinearity:

0.05% full scale

### Hysteresis:

0.03% full scale

### Temperature:

Compensated range  
15 °F to 115 °F (9 °C to 46 °C)

### Insulation Resistance:

5,000 megohm

### Seal Type:

Hermetically sealed, IP66/68

### Cable Length:

30 ft

### Cable Color Code:

Red +Excitation  
Black -Excitation  
White +Signal  
Green -Signal

### Warranty:

Two-year limited

## Order Information

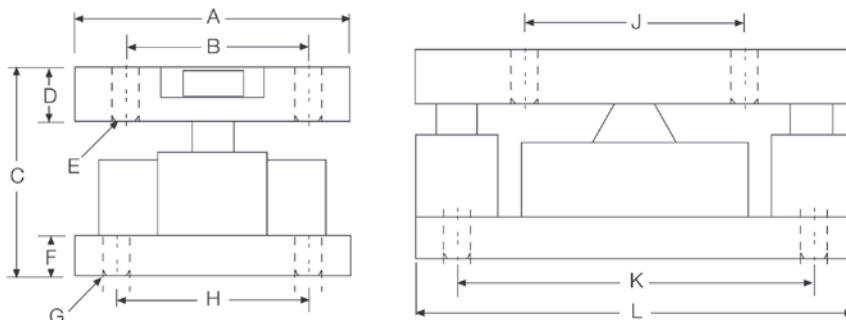
| Load Rating (Per Module) | Part # | Price       |
|--------------------------|--------|-------------|
| <b>Single Module</b>     |        |             |
| 2,500 lb                 | 76657  | \$2,708.00  |
| 5,000 lb                 | 45845  | \$2,708.00  |
| 10,000 lb                | 45844  | \$2,708.00  |
| 25,000 lb                | 45843  | \$4,580.00  |
| 50,000 lb                | 45842  | \$4,580.00  |
| <b>3-Module Kit</b>      |        |             |
| 2,500 lb                 | 76899  | \$7,695.00  |
| 5,000 lb                 | 46478  | \$7,695.00  |
| 10,000 lb                | 46479  | \$7,695.00  |
| 25,000 lb                | 46480  | \$13,409.00 |
| 50,000 lb                | 46481  | \$13,409.00 |
| <b>4-Module Kit</b>      |        |             |
| 2,500 lb                 | 76900  | \$10,176.00 |
| 5,000 lb                 | 46482  | \$10,176.00 |
| 10,000 lb                | 46483  | \$10,176.00 |
| 25,000 lb                | 46484  | \$17,490.00 |
| 50,000 lb                | 46485  | \$17,490.00 |

## Replacement Load Cell Order Information

| Load Rating (Per Module) | Part # | Price      |
|--------------------------|--------|------------|
| 2,500 lb                 | 76655  | \$1,563.00 |
| 5,000 lb                 | 45712  | \$1,563.00 |
| 10,000 lb                | 45713  | \$1,563.00 |
| 25,000 lb                | 45714  | \$2,565.00 |
| 50,000 lb                | 45715  | \$2,565.00 |

## Dimensions

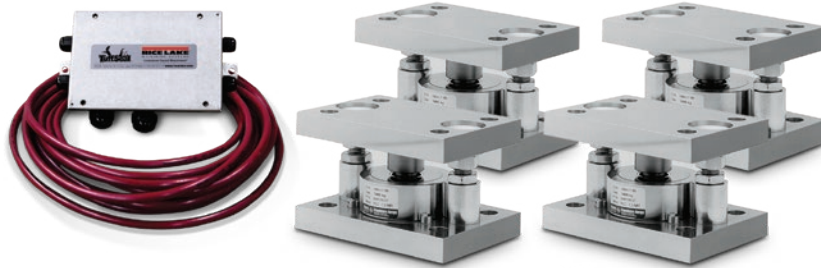
| Rated Capacity   | A    | B    | C    | D    | E    | F    | G    | H    | J    | K    | L     |
|------------------|------|------|------|------|------|------|------|------|------|------|-------|
| lb/in            |      |      |      |      |      |      |      |      |      |      |       |
| 2,500 to 10,000  | 5.00 | 3.50 | 4.00 | 1.00 | 0.52 | 1.00 | 0.52 | 3.50 | 4.00 | 6.50 | 8.00  |
| 25,000 to 50,000 | 6.00 | 4.50 | 5.00 | 1.25 | 0.78 | 1.00 | 0.78 | 4.50 | 5.00 | 7.75 | 10.00 |



# RLC

Stainless Steel Weigh Modules, VPG Reverse

LOAD CELLS /  
WEIGH MODULES



Module with hermetically sealed RLC compression canister load cell

Picture is a representation of actual product.

## Load Cell Approvals



## Order Information

| Load Rating (Per Module)                  | Part # | Price      |
|---|--------|------------|
| <b>Single Module (Includes Load Cell)</b> |        |            |
| 0.5 t                                     | 36401  | \$1,198.00 |
| 1 t                                       | 36402  | \$1,198.00 |
| 2 t                                       | 36403  | \$1,383.00 |
| 3.5 t                                     | 36404  | \$1,383.00 |
| 5 t                                       | 36405  | \$1,383.00 |
| <b>3-Module Kit</b>                       |        |            |
| 0.5 t                                     | 36406  | \$3,885.00 |
| 1 t                                       | 36407  | \$3,885.00 |
| 2 t                                       | 36408  | \$4,065.00 |
| 3.5 t                                     | 36409  | \$4,065.00 |
| 5 t                                       | 36410  | \$4,065.00 |
| <b>4-Module Kit</b>                       |        |            |
| 0.5 t                                     | 36411  | \$5,083.00 |
| 1 t                                       | 36412  | \$5,083.00 |
| 2 t                                       | 36413  | \$5,422.00 |
| 3.5 t                                     | 36414  | \$5,422.00 |
| 5 t                                       | 36415  | \$5,422.00 |

## Replacement Rocker Pin Set\*

| Load Rating (Per Module) | Part # | Price    |
|--------------------------|--------|----------|
| 250 kg to 1 t            | 170875 | \$132.00 |
| 2 t to 5 t               | 170876 | \$132.00 |

\*Kit includes upper cup, rocker pin and grease

## Dimensions

| Rated Capacity | H     | H1   | H2   | L     | L1   | L2    | T                   | W     | W1   | W2   |
|----------------|-------|------|------|-------|------|-------|---------------------|-------|------|------|
| ton/mm         |       |      |      |       |      |       |                     |       |      |      |
| 0.5 to 1       | 80.0  | 20.0 | 15.0 | 150.0 | 15.0 | 120.0 | 14.0 (top plate)    | 100.0 | 70.0 | 15.0 |
| 2 to 5         | 100.0 | 20.0 | 20.0 | 160.0 | 20.0 | 120.0 | 13.8 (bottom plate) | 110.0 | 70.0 | 20.0 |

## Complete Kit Includes

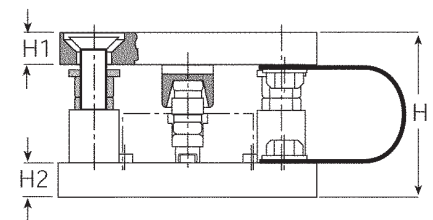
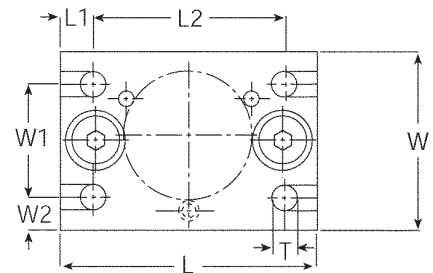
- One JB4SS NEMA Type 4X stainless steel signal trim junction box
- Three or four RLC stainless steel compression mounts
- Three or four RLC stainless steel hermetically sealed compression disk load cells
- 25 ft of hostile environment EL147HE SURVIVOR® load cell cable

## Standard Features

- Capacities (per module): 0.5 to 5 t
- Matched output load cells eliminate trimming
- 304 stainless steel construction
- Rocker pin design allows movement in all directions
- Hermetically sealed, IP66/68 stainless steel load cells
- Easy load cell replacement
- Integral jacking/shipping bolts

## Applications

- Medium-capacity tanks, bins and hoppers
- Washdown applications
- Process control and batch weighing



# 220 Universal Mount

Stainless Steel Weigh Modules, VPG Tedeo-Huntleigh

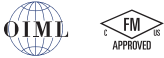
LOAD CELLS / WEIGH MODULES



Picture is a representation of actual product.

Module with hermetically sealed 220 compression load cell

## Load Cell Approvals



## Order Information

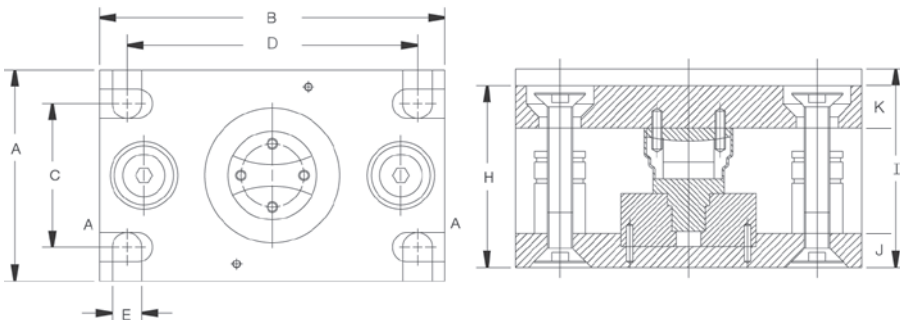
| Load Rating (Per Module)                 | Part # | Price      |
|--|--------|------------|
| <b>3-Module Kit (Includes Load Cell)</b> |        |            |
| 5,000 kg                                 | 66208  | \$6,355.00 |
| 10,000 kg                                | 66209  | \$6,355.00 |
| 20,000 kg                                | 66210  | \$7,200.00 |
| 30,000 kg                                | 66211  | \$7,200.00 |
| <b>4-Module Kit (Includes Load Cell)</b> |        |            |
| 5,000 kg                                 | 66212  | \$8,369.00 |
| 10,000 kg                                | 66213  | \$8,369.00 |
| 20,000 kg                                | 66214  | \$9,672.00 |
| 30,000 kg                                | 66215  | \$9,672.00 |

## Replacement Mount Parts

| Load Rating (Per Module)    | Part # | Price    |
|-----------------------------|--------|----------|
| Saddle 5t to 10t            | 170879 | \$132.00 |
| Rolling cylinder 5t to 10t  | 170882 | \$111.00 |
| Load adaptor 5t             | 170880 | \$117.00 |
| Load adaptor 10t            | 170881 | \$165.00 |
| Rubber boot 5t to 10t       | 171211 | \$37.00  |
| Saddle 20t to 30t           | 170884 | \$127.00 |
| Rolling cylinder 20t to 30t | 170885 | \$58.00  |
| Load adaptor 20t to 30t     | 170883 | \$111.00 |
| Rubber boot 20t to 30t      | 171212 | \$32.00  |

## Dimensions

| Rated Capacity   | A     | B     | C     | D     | E    | H     | I  | J    | K    |
|------------------|-------|-------|-------|-------|------|-------|--|------|------|
| kg/mm            |       |       |       |       |      |       |  |      |      |
| 5,000 to 10,000  | 127.0 | 203.0 | 90.0  | 170.0 | 18.0 | 107.0 | Load Cell Replacement Height: 118.0<br>Operating Height: 107.0 | 19.1 | 25.4 |
| 20,000 to 30,000 | 152.0 | 245.0 | 115.0 | 208.0 | 24.0 | 148.0 | Load Cell Replacement Height: 156.0<br>Operating Height: 148.1 | 31.8 | 25.4 |



## Complete Kit Includes

- One JB4SS NEMA Type 4X stainless steel signal trim junction box
- Three or four 220 stainless steel compression mounts
- Three or four 220 stainless steel hermetically sealed compression disk load cells
- 25 ft of hostile environment EL147HE SURVIVOR® load cell cable

## Standard Features

- Capacities (per module): 5,000 to 30,000 kg
- Matched output load cells eliminate trimming
- 304 stainless steel construction
- Hermetically sealed, IP68 stainless steel load cells
- Easy load cell replacement
- Integral jacking/shipping bolts

## Applications

- Medium- to high-capacity tanks, bins and hoppers
- Washdown applications
- Process control and batch weighing

## Specifications

**Full Scale Output:**  
2.0 mV/V

**Bridge Resistance:**  
1,000 ohm nominal

**Material/Finish:**  
Stainless Steel

**Operating Temperature Range:**  
14 °F to 104 °F (-10 °C to 40 °C)

**Seal Type:**  
Hermetically sealed, IP68

**Safe Overload:**  
150% at center loading point, full scale

**Rated Excitation:**  
5 to 10 VDC (15 V maximum)

**Combined Error:**  
0.020% full scale

**Insulation Resistance:**  
2,000 megaohm

**Cable Length:**  
5,000 kg: 5 m  
10,000 to 20,000 kg: 10 m  
30,000 kg: 20 m

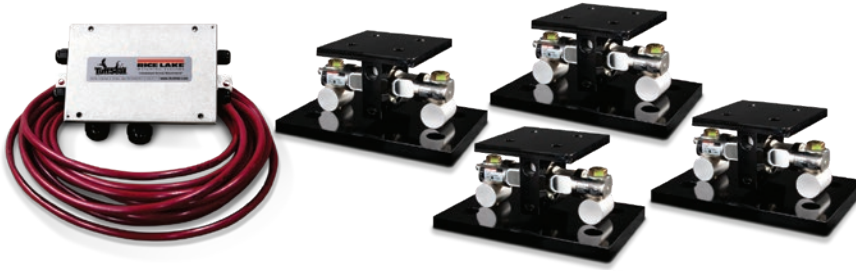
**Cable Color Code:**  
Blue +Excitation  
Black -Excitation  
White +Signal  
Red -Signal  
Green +Sense  
Grey -Sense

**Warranty:**  
One-year limited

# EZ Mount 1 with RL72020

Mild Steel Weigh Modules, Rice Lake Weighing Systems

LOAD CELLS /  
WEIGH MODULES



Module with  
RL72020 double-ended  
shear beam load cell

Picture is a representation of actual product.

## Load Cell Approvals



## Complete Kit Includes

- One JB4SS NEMA Type 4X stainless steel signal trim junction box
- Three or four EZ Mount 1 mild steel compression mounts
- Three or four RL72020 double-ended shear beam load cells
- 25 ft of hostile environment EL147HE SURVIVOR® load cell cable

## Standard Features

- Capacities (per module): 5,000 to 250,000 lb
- NTEP Certified load cells
- Unique sliding pin design compensates for thermal expansion/contraction
- Self-checking
- Easy load cell replacement
- Simplified design allows bolting directly to tank and floor
- Center-loaded double-ended shear beam design
- Low-profile design
- Painted mild steel construction

## Optional Features

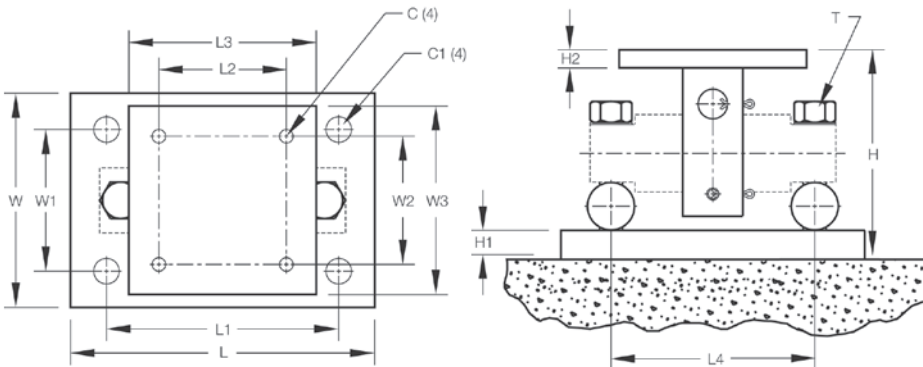
- Kits available with VPG® Revere 5103 load cell, capacities in 5,000 to 150,000 lb

## Applications

- Medium- to heavy-capacity tank and hopper weighing applications

## Dimensions

| Rated Capacity     | C    | C1   | H     | H1   | H2   | L     | L1    | L2   | L3    | L4    | T            | W     | W1   | W2   | W3    |
|--------------------|------|------|-------|------|------|-------|-------|------|-------|-------|--------------|-------|------|------|-------|
| 5,000 to 20,000    | 0.56 | 1.06 | 5.31  | 0.75 | 0.50 | 11.00 | 8.00  | 3.00 | 6.00  | 6.87  | 5/8-18 UNF   | 7.50  | 4.00 | 3.00 | 6.00  |
| 30,000 to 60,000   | 0.68 | 1.19 | 8.43  | 1.00 | 0.75 | 15.00 | 11.50 | 5.12 | 8.00  | 8.50  | 1-14 UNS     | 10.00 | 6.00 | 5.12 | 8.00  |
| 100,000 to 150,000 | 0.81 | 1.38 | 10.37 | 1.25 | 1.25 | 18.00 | 14.00 | 7.50 | 10.00 | 9.50  | 1-14 UNS     | 12.00 | 9.00 | 7.50 | 10.00 |
| 200,000 to 250,000 | 1.06 | 1.88 | 16.75 | 2.00 | 2.00 | 26.00 | 20.00 | 9.00 | 12.00 | 13.00 | 1 1/2-12 UNS | 12.00 | 6.00 | 9.00 | 12.00 |





# EZ Mount 1 with RL72020

Mild Steel Weigh Modules, Rice Lake Weighing Systems

LOAD CELLS /  
WEIGH MODULES

## Order Information

| Load Rating (Per Module)                          | Part # | Price       |
|---|--------|-------------|
| <b>Single Module (Does NOT Include Load Cell)</b> |        |             |
| 5,000 lb to 20,000 lb                             | 17823  | \$345.00    |
| 30,000 lb to 60,000 lb                            | 17824  | \$927.00    |
| 100,000 lb  | 17850  | \$1,277.00  |
| 150,000 lb  | 29012  | \$1,277.00  |
| 200,000 lb to 250,000 lb                          | 26068  | \$2,915.00  |
| <b>3-Module Kit</b>                               |        |             |
| 5,000 lb  | 208881 | \$3,265.00  |
| 10,000 lb   | 208882 | \$3,265.00  |
| 20,000 lb   | 208883 | \$3,265.00  |
| 30,000 lb   | 208884 | \$5,210.00  |
| 40,000 lb   | 208885 | \$5,210.00  |
| 50,000 lb   | 208886 | \$5,210.00  |
| 60,000 lb   | 208887 | \$5,210.00  |
| 100,000 lb  | 208888 | \$8,432.00  |
| 150,000 lb  | 208889 | \$8,432.00  |
| <b>4-Module Kit</b>                               |        |             |
| 5,000 lb  | 208892 | \$4,240.00  |
| 10,000 lb   | 208893 | \$4,240.00  |
| 20,000 lb   | 208894 | \$4,240.00  |
| 30,000 lb   | 208895 | \$6,577.00  |
| 40,000 lb   | 208896 | \$6,577.00  |
| 50,000 lb   | 208897 | \$6,577.00  |
| 60,000 lb   | 208898 | \$6,577.00  |
| 100,000 lb  | 208899 | \$10,955.00 |
| 150,000 lb  | 208900 | \$10,955.00 |

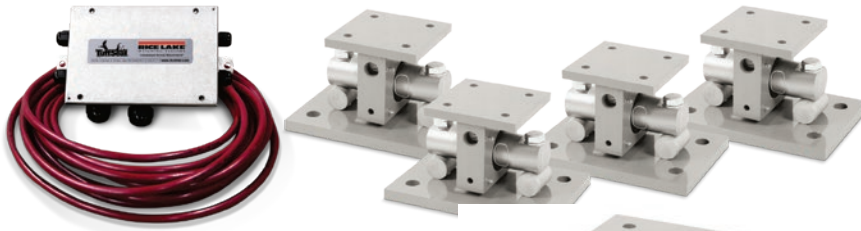
## VPG Revere 5103 Order Information

| Load Rating (Per Module) | Part # | Price       |
|--------------------------|--------|-------------|
| <b>3-Module Kit</b>      |        |             |
| 5,000 lb                 | 18175  | \$3,375.00  |
| 10,000 lb                | 18176  | \$3,375.00  |
| 20,000 lb                | 18177  | \$3,375.00  |
| 30,000 lb                | 32169  | \$5,321.00  |
| 40,000 lb                | 32171  | \$5,321.00  |
| 50,000 lb                | 18178  | \$5,485.00  |
| 60,000 lb                | 18179  | \$5,485.00  |
| 100,000 lb               | 18180  | \$8,544.00  |
| 150,000 lb               | 18181  | \$8,544.00  |
| <b>4-Module Kit</b>      |        |             |
| 5,000 lb                 | 18182  | \$4,351.00  |
| 10,000 lb                | 18183  | \$4,351.00  |
| 20,000 lb                | 18184  | \$4,351.00  |
| 30,000 lb                | 32170  | \$6,731.00  |
| 40,000 lb                | 32172  | \$6,731.00  |
| 50,000 lb                | 18185  | \$6,911.00  |
| 60,000 lb                | 18186  | \$6,911.00  |
| 100,000 lb               | 18187  | \$11,130.00 |
| 150,000 lb               | 18188  | \$11,130.00 |
| <b>Dummy Load Cells</b>  |        |             |
| 5,000 lb to 20,000 lb    | 33749  | \$90.00     |
| 30,000 lb to 60,000 lb   | 74016  | \$122.00    |
| 100,000 lb               | 94175  | \$265.00    |
| 150,000 lb               | 158715 | \$265.00    |
| <b>Grounding Kit</b>     |        |             |
| 5,000 lb to 60,000 lb    | 126419 | \$21.00     |

# EZ Mount 1 SS with RL72020SS

Stainless Steel Weigh Modules, Rice Lake Weighing Systems

LOAD CELLS /  
WEIGH MODULES



Module with RL72020SS double-ended shear beam load cell

Picture is a representation of actual product.

## Load Cell Approvals



NTEP Excluding  
5K and 150K

## Order Information

| Load Rating (Per Module)                          | Part #        | Price       |
|---|---------------|-------------|
| <b>Single Module (Does NOT Include Load Cell)</b> |               |             |
| 5,000 lb to 20,000 lb                             | <b>17943</b>  | \$845.00    |
| 30,000 lb to 60,000 lb                            | <b>17944</b>  | \$2,330.00  |
| 100,000 lb  | <b>17945</b>  | \$4,278.00  |
| 150,000 lb  | <b>29011</b>  | \$4,278.00  |
| <b>3-Module Kit</b>                               |               |             |
| 5,000 lb*   | <b>208914</b> | \$5,173.00  |
| 10,000 lb   | <b>208917</b> | \$5,173.00  |
| 20,000 lb   | <b>208918</b> | \$5,173.00  |
| 30,000 lb   | <b>208919</b> | \$10,282.00 |
| 40,000 lb   | <b>208920</b> | \$10,282.00 |
| 50,000 lb   | <b>208921</b> | \$10,282.00 |
| 60,000 lb   | <b>208922</b> | \$10,282.00 |
| 100,000 lb  | <b>208923</b> | \$18,968.00 |
| 150,000 lb*                                       | <b>208924</b> | \$18,968.00 |

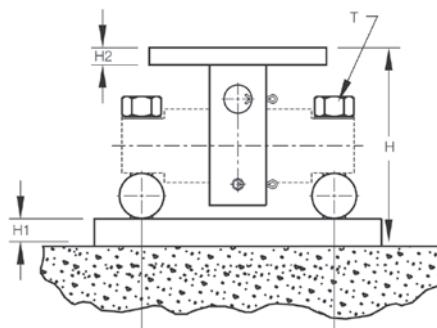
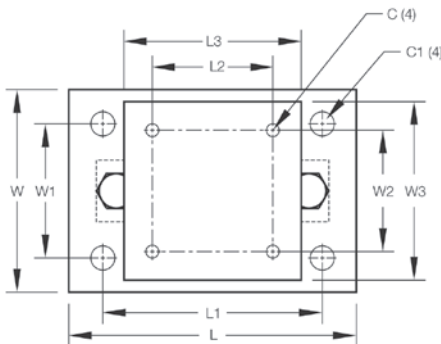
\* Non-NTEP Certified

| Load Rating (Per Module)             | Part #        | Price       |
|--------------------------------------|---------------|-------------|
| <b>4-Module Kit</b>                  |               |             |
| 5,000 lb*                            | <b>208925</b> | \$6,705.00  |
| 10,000 lb                            | <b>208926</b> | \$6,705.00  |
| 20,000 lb                            | <b>208927</b> | \$6,705.00  |
| 30,000 lb                            | <b>208928</b> | \$13,530.00 |
| 40,000 lb                            | <b>208929</b> | \$13,530.00 |
| 50,000 lb                            | <b>208930</b> | \$13,530.00 |
| 60,000 lb                            | <b>208931</b> | \$13,530.00 |
| 100,000 lb                           | <b>208932</b> | \$25,222.00 |
| 150,000 lb*                          | <b>208933</b> | \$25,222.00 |
| <b>Dummy Load Cells (Mild Steel)</b> |               |             |
| 5,000 lb to 20,000 lb                | <b>33749</b>  | \$90.00     |
| 30,000 lb to 60,000 lb               | <b>74016</b>  | \$122.00    |
| 100,000 lb                           | <b>94175</b>  | \$265.00    |
| 150,000 lb                           | <b>158715</b> | \$265.00    |
| <b>Grounding Kit</b>                 |               |             |
| 5,000 lb-60,000 lb                   | <b>126419</b> | \$21.00     |

Includes ground strap and mounting hardware per mount

## Dimensions

| Rated Capacity        | C    | C1   | H     | H1   | H2   | L     | L1    | L2   | L3    | L4   | T          | W     | W1   | W2   | W3    |
|-----------------------|------|------|-------|------|------|-------|-------|------|-------|------|------------|-------|------|------|-------|
| 5,000 to 20,000 lb/in | 0.56 | 1.06 | 5.31  | 0.75 | 0.50 | 11.00 | 8.00  | 3.00 | 6.00  | 6.87 | 5/8-18 UNF | 7.50  | 4.00 | 3.00 | 6.00  |
| 30,000 to 60,000      | 0.68 | 1.19 | 8.43  | 1.00 | 0.75 | 15.00 | 11.50 | 5.12 | 8.00  | 8.50 | 1-14 UNS   | 10.00 | 6.00 | 5.12 | 8.00  |
| 100,000 to 150,000    | 0.81 | 1.38 | 10.37 | 1.25 | 1.25 | 18.00 | 14.00 | 7.50 | 10.00 | 9.50 | 1-14 UNS   | 12.00 | 9.00 | 7.50 | 10.00 |



## Complete Kit Includes

- One JB4SS NEMA Type 4X stainless steel signal trim junction box
- Three or four EZ Mount 1 stainless steel compression mounts
- Three or four RL72020SS stainless steel double-ended shear beam load cells
- 25 ft of our hostile environment EL147HE SURVIVOR® load cell cable

## Standard Features

- Capacities (per module): 5,000 to 150,000 lb
- Unique sliding pin design compensates for thermal expansion/contraction
- Self-checking
- Easy load cell replacement
- Simplified design allows bolting directly to tank and floor
- Center-loaded double-ended shear beam design
- Low-profile design
- 304 stainless steel construction

## Optional Features

- Kits available with VPG Revere 9103 load cell, capacities in 5,000 to 150,000 lb

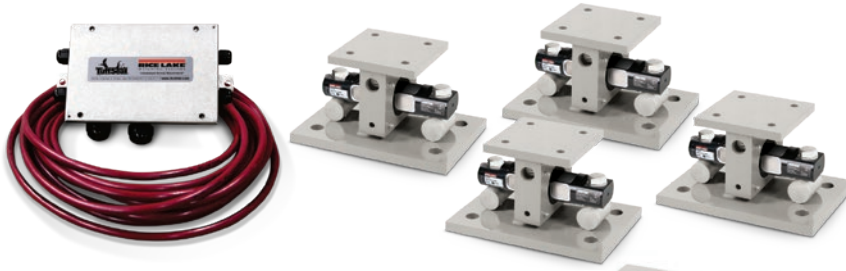
## Applications

- Medium to heavy-capacity tank and hopper weighing applications

# EZ Mount 1 with Painted RL72020P

Rice Lake Weighing Systems

LOAD CELLS / WEIGH MODULES



Module with RL72020P painted double-ended shear beam load cell

Picture is a representation of actual product.

## Load Cell Approvals



## Order Information

| Load Rating (Per Module)                          | Part #        | Price       |
|---|---------------|-------------|
| <b>Single Module (Does NOT Include Load Cell)</b> |               |             |
| 5,000 lb to 20,000 lb                             | <b>17943</b>  | \$845.00    |
| 30,000 lb to 60,000 lb                            | <b>17944</b>  | \$2,330.00  |
| 100,000 lb  | <b>17945</b>  | \$4,278.00  |
| 150,000 lb  | <b>29011</b>  | \$4,278.00  |
| <b>3-Module Kit</b>                               |               |             |
| 5,000 lb  | <b>208957</b> | \$4,658.00  |
| 10,000 lb   | <b>208959</b> | \$4,658.00  |
| 20,000 lb   | <b>208961</b> | \$4,658.00  |
| 30,000 lb   | <b>208963</b> | \$9,535.00  |
| 40,000 lb   | <b>208965</b> | \$9,535.00  |
| 50,000 lb   | <b>208967</b> | \$9,535.00  |
| 60,000 lb   | <b>208969</b> | \$9,535.00  |
| 100,000 lb  | <b>208971</b> | \$17,910.00 |
| 150,000 lb  | <b>208973</b> | \$17,910.00 |

| Load Rating (Per Module)             | Part #        | Price       |
|--------------------------------------|---------------|-------------|
| <b>4-Module Kit</b>                  |               |             |
| 5,000 lb                             | <b>208958</b> | \$6,228.00  |
| 10,000 lb                            | <b>208960</b> | \$6,228.00  |
| 20,000 lb                            | <b>208962</b> | \$6,228.00  |
| 30,000 lb                            | <b>208964</b> | \$12,715.00 |
| 40,000 lb                            | <b>208966</b> | \$12,715.00 |
| 50,000 lb                            | <b>208968</b> | \$12,715.00 |
| 60,000 lb                            | <b>208970</b> | \$12,715.00 |
| 100,000 lb                           | <b>208972</b> | \$23,845.00 |
| 150,000 lb                           | <b>208974</b> | \$23,845.00 |
| <b>Dummy Load Cells (Mild Steel)</b> |               |             |
| 5,000 lb to 20,000 lb                | <b>33749</b>  | \$90.00     |
| 30,000 lb to 60,000 lb               | <b>74016</b>  | \$122.00    |
| 100,000 lb                           | <b>94175</b>  | \$265.00    |
| 150,000 lb                           | <b>158715</b> | \$265.00    |
| <b>Grounding Kit</b>                 |               |             |
| 5,000 lb-60,000 lb                   | <b>126419</b> | \$21.00     |

Includes ground strap and mounting hardware per mount

## Dimensions

| Rated Capacity     | C    | C1   | H     | H1   | H2   | L     | L1    | L2   | L3    | L4   | T          | W     | W1   | W2   | W3    |
|--------------------|------|------|-------|------|------|-------|-------|------|-------|------|------------|-------|------|------|-------|
| 5,000 to 20,000    | 0.56 | 1.06 | 5.31  | 0.75 | 0.50 | 11.00 | 8.00  | 3.00 | 6.00  | 6.87 | 5/8-18 UNF | 7.50  | 4.00 | 3.00 | 6.00  |
| 30,000 to 60,000   | 0.68 | 1.19 | 8.43  | 1.00 | 0.75 | 15.00 | 11.50 | 5.12 | 8.00  | 8.50 | 1-14 UNS   | 10.00 | 6.00 | 5.12 | 8.00  |
| 100,000 to 150,000 | 0.81 | 1.38 | 10.37 | 1.25 | 1.25 | 18.00 | 14.00 | 7.50 | 10.00 | 9.50 | 1-14 UNS   | 12.00 | 9.00 | 7.50 | 10.00 |

## Complete Kit Includes

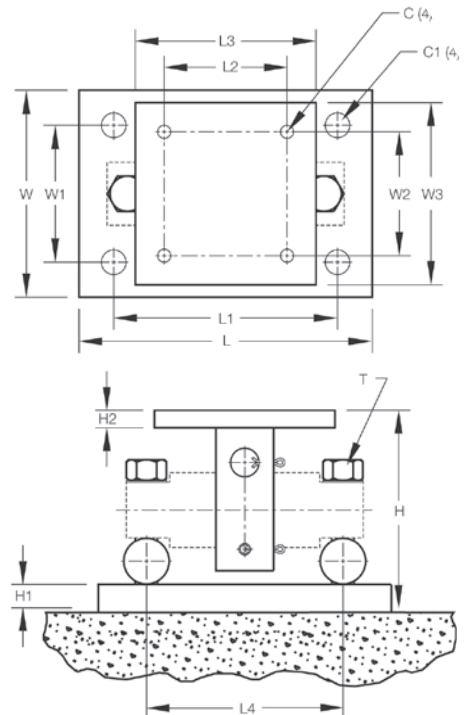
- One JB4SS NEMA Type 4X stainless steel signal trim junction box
- Three or four EZ Mount 1 stainless steel compression mounts
- Three or four RL72020P alloy painted double-ended shear beam load cells
- 25 ft of hostile environment EL147HE SURVIVOR load cell cable

## Standard Features

- Capacities (per module): 5,000 to 150,000 lb
- Unique sliding pin design compensates for thermal expansion/contraction
- Self-checking
- Easy load cell replacement
- Simplified design allows bolting directly to tank and floor
- Center-loaded double-ended shear beam design
- Low-profile design
- 304 stainless steel construction (mount)

## Applications

- Medium- to heavy-capacity tank and fertilizer hopper weighing applications

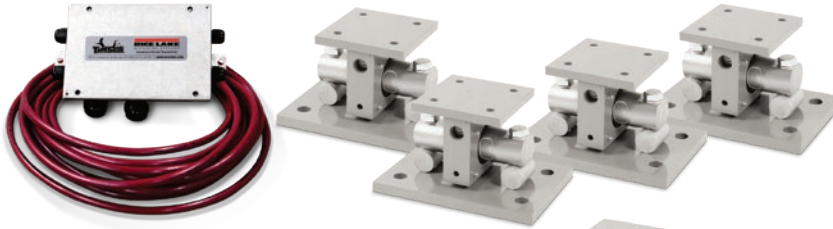


# EZ Mount 1 with RL70000

Mild Steel Weigh Modules, Rice Lake Weighing Systems

**Discontinued**  
Limited Stock Available

LOAD CELLS / WEIGH MODULES



Module with RL70000 double-ended shear beam load cell

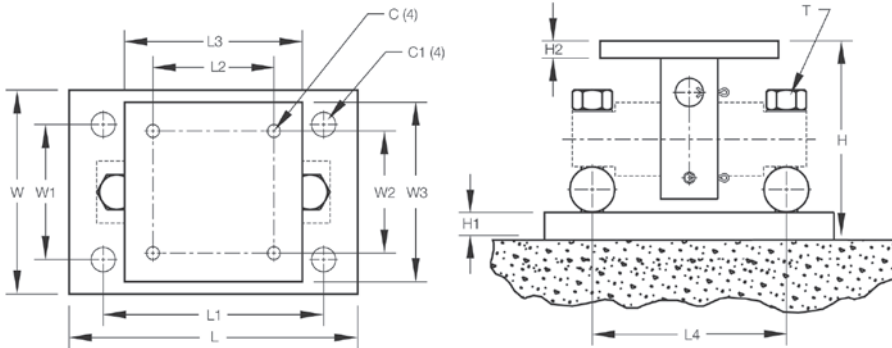
Picture is a representation of actual product.

## Load Cell Approvals



## Dimensions

| Rated Capacity     | C    | C1   | H     | H1   | H2   | L     | L1    | L2   | L3    | L4    | T            | W     | W1   | W2   | W3    |
|--------------------|------|------|-------|------|------|-------|-------|------|-------|-------|--------------|-------|------|------|-------|
| 5,000 to 20,000    | 0.56 | 1.06 | 5.31  | 0.75 | 0.50 | 11.00 | 8.00  | 3.00 | 6.00  | 6.87  | 5/8-18 UNF   | 7.50  | 4.00 | 3.00 | 6.00  |
| 30,000 to 60,000   | 0.68 | 1.19 | 8.43  | 1.00 | 0.75 | 15.00 | 11.50 | 5.12 | 8.00  | 8.50  | 1-14 UNS     | 10.00 | 6.00 | 5.12 | 8.00  |
| 100,000 to 150,000 | 0.81 | 1.38 | 10.37 | 1.25 | 1.25 | 18.00 | 14.00 | 7.50 | 10.00 | 9.50  | 1-14 UNS     | 12.00 | 9.00 | 7.50 | 10.00 |
| 200,000 to 250,000 | 1.06 | 1.88 | 16.75 | 2.00 | 2.00 | 26.00 | 20.00 | 9.00 | 12.00 | 13.00 | 1 1/2-12 UNS | 12.00 | 6.00 | 9.00 | 12.00 |



## Complete Kit Includes

- One JB4SS NEMA Type 4X stainless steel signal trim junction box
- Three or four EZ Mount 1 mild steel compression mounts
- Three or four RL70000 double-ended shear beam load cells
- 25 ft of hostile environment EL147HE SURVIVOR® load cell cable

## Standard Features

- Capacities (per module): 5,000 to 250,000 lb
- NTEP Certified load cells
- Unique sliding pin design compensates for thermal expansion/contraction
- Self-checking
- Easy load cell replacement
- Simplified design allows bolting directly to tank and floor
- Center-loaded double-ended shear beam design
- Low-profile design
- Painted mild steel construction

## Optional Features

- Kits available with VPG® Revere 5103 load cell, capacities in 5,000 to 150,000 lb

## Applications

- Medium- to heavy-capacity tank and hopper weighing applications

# EZ Mount 1 with RL70000

Mild Steel Weigh Modules, Rice Lake Weighing Systems

LOAD CELLS /  
WEIGH MODULES

## Order Information

| Load Rating (Per Module)                          | Part # | Price       |
|---|--------|-------------|
| <b>Single Module (Does NOT Include Load Cell)</b> |        |             |
| 5,000 lb to 20,000 lb                             | 17823  | \$345.00    |
| 30,000 lb to 60,000 lb                            | 17824  | \$927.00    |
| 100,000 lb  | 17850  | \$1,277.00  |
| 150,000 lb  | 29012  | \$1,277.00  |
| 200,000 lb-250,000 lb                             | 26068  | \$2,915.00  |
| <b>3-Module Kit</b>                               |        |             |
| 5,000 lb  | 18163  | \$3,265.00  |
| 10,000 lb   | 18164  | \$3,265.00  |
| 20,000 lb   | 18165  | \$3,265.00  |
| 30,000 lb   | 32164  | \$5,210.00  |
| 40,000 lb   | 32167  | \$5,210.00  |
| 50,000 lb   | 18166  | \$5,210.00  |
| 60,000 lb   | 18167  | \$5,210.00  |
| 100,000 lb  | 18168  | \$8,432.00  |
| 150,000 lb  | 43290  | \$8,432.00  |
| <b>4-Module Kit</b>                               |        |             |
| 5,000 lb  | 18169  | \$4,240.00  |
| 10,000 lb   | 18170  | \$4,240.00  |
| 20,000 lb   | 18171  | \$4,240.00  |
| 30,000 lb   | 32165  | \$6,577.00  |
| 40,000 lb   | 32166  | \$6,577.00  |
| 50,000 lb   | 18172  | \$6,577.00  |
| 60,000 lb   | 18173  | \$6,577.00  |
| 100,000 lb  | 18174  | \$10,955.00 |
| 150,000 lb  | 43291  | \$10,955.00 |

## VPG Revere 5103

### Order Information

| Load Rating (Per Module) | Part # | Price       |
|--------------------------|--------|-------------|
| <b>3-Module Kit</b>      |        |             |
| 5,000 lb                 | 18175  | \$3,375.00  |
| 10,000 lb                | 18176  | \$3,375.00  |
| 20,000 lb                | 18177  | \$3,375.00  |
| 30,000 lb                | 32169  | \$5,321.00  |
| 40,000 lb                | 32171  | \$5,321.00  |
| 50,000 lb                | 18178  | \$5,485.00  |
| 60,000 lb                | 18179  | \$5,485.00  |
| 100,000 lb               | 18180  | \$8,544.00  |
| 150,000 lb               | 18181  | \$8,544.00  |
| <b>4-Module Kit</b>      |        |             |
| 5,000 lb                 | 18182  | \$4,351.00  |
| 10,000 lb                | 18183  | \$4,351.00  |
| 20,000 lb                | 18184  | \$4,351.00  |
| 30,000 lb                | 32170  | \$6,731.00  |
| 40,000 lb                | 32172  | \$6,731.00  |
| 50,000 lb                | 18185  | \$6,911.00  |
| 60,000 lb                | 18186  | \$6,911.00  |
| 100,000 lb               | 18187  | \$11,130.00 |
| 150,000 lb               | 18188  | \$11,130.00 |
| <b>Dummy Load Cells</b>  |        |             |
| 5,000 lb to 20,000 lb    | 33749  | \$90.00     |
| 30,000 lb to 60,000 lb   | 74016  | \$122.00    |
| 100,000 lb               | 94175  | \$265.00    |
| 150,000 lb               | 158715 | \$265.00    |
| <b>Grounding Kit</b>     |        |             |
| 5,000 lb to 60,000 lb    | 126419 | \$21.00     |

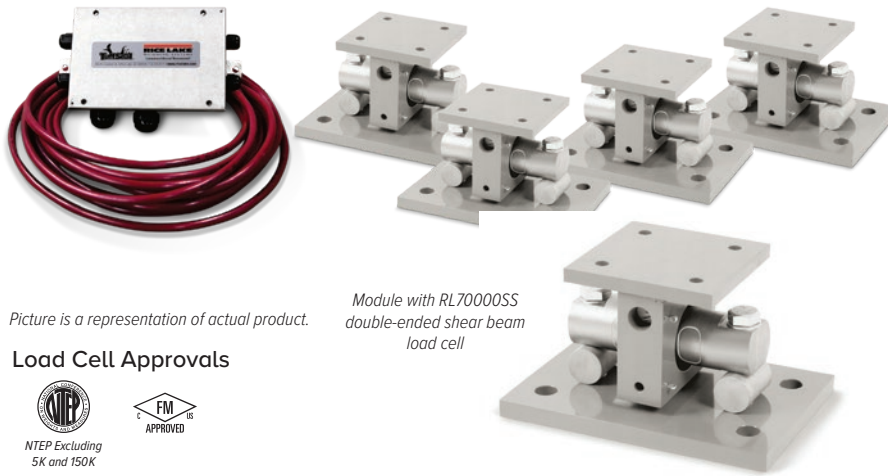
*Includes ground strap and mounting hardware per mount*

# EZ Mount 1 with RL70000SS

Stainless Steel Weigh Modules, Rice Lake Weighing Systems



LOAD CELLS / WEIGH MODULES



Picture is a representation of actual product.

Module with RL70000SS double-ended shear beam load cell

## Load Cell Approvals



NTEP Excluding 5K and 150K



## Order Information

| Load Rating (Per Module)                          | Part #       | Price       |
|---|--------------|-------------|
| <b>Single Module (Does NOT Include Load Cell)</b> |              |             |
| 5,000 lb to 20,000 lb                             | <b>17943</b> | \$845.00    |
| 30,000 lb to 60,000 lb                            | <b>17944</b> | \$2,330.00  |
| 100,000 lb  | <b>17945</b> | \$4,278.00  |
| 150,000 lb  | <b>29011</b> | \$4,278.00  |
| <b>3-Module Kit</b>                               |              |             |
| 5,000 lb*   | <b>36195</b> | \$4,945.00  |
| 10,000 lb   | <b>36196</b> | \$4,945.00  |
| 20,000 lb   | <b>36197</b> | \$4,945.00  |
| 30,000 lb   | <b>36198</b> | \$9,582.00  |
| 40,000 lb   | <b>36199</b> | \$9,582.00  |
| 50,000 lb   | <b>36200</b> | \$9,695.00  |
| 60,000 lb   | <b>36201</b> | \$9,695.00  |
| 100,000 lb  | <b>36202</b> | \$17,908.00 |
| 150,000 lb*                                       | <b>43288</b> | \$17,908.00 |

\* Non-NTEP Certified

| Load Rating (Per Module)             | Part #        | Price       |
|--------------------------------------|---------------|-------------|
| <b>4-Module Kit</b>                  |               |             |
| 5,000 lb*                            | <b>36203</b>  | \$6,625.00  |
| 10,000 lb                            | <b>36204</b>  | \$6,625.00  |
| 20,000 lb                            | <b>36205</b>  | \$6,625.00  |
| 30,000 lb                            | <b>36206</b>  | \$13,010.00 |
| 40,000 lb                            | <b>36207</b>  | \$13,010.00 |
| 50,000 lb                            | <b>36208</b>  | \$13,317.00 |
| 60,000 lb                            | <b>36209</b>  | \$13,317.00 |
| 100,000 lb                           | <b>36210</b>  | \$25,222.00 |
| 150,000 lb*                          | <b>43289</b>  | \$25,222.00 |
| <b>Dummy Load Cells (Mild Steel)</b> |               |             |
| 5,000 lb to 20,000 lb                | <b>33749</b>  | \$90.00     |
| 30,000 lb to 60,000 lb               | <b>74016</b>  | \$122.00    |
| 100,000 lb                           | <b>94175</b>  | \$265.00    |
| 150,000 lb                           | <b>158715</b> | \$265.00    |
| <b>Grounding Kit</b>                 |               |             |
| 5,000 lb to 60,000 lb                | <b>126419</b> | \$21.00     |

Includes ground strap and mounting hardware per mount

## Dimensions

| Rated Capacity     | C    | C1   | H     | H1   | H2   | L     | L1    | L2   | L3    | L4   | T          | W     | W1   | W2   | W3    |
|--------------------|------|------|-------|------|------|-------|-------|------|-------|------|------------|-------|------|------|-------|
| 5,000 to 20,000    | 0.56 | 1.06 | 5.31  | 0.75 | 0.50 | 11.00 | 8.00  | 3.00 | 6.00  | 6.87 | 5/8-18 UNF | 7.50  | 4.00 | 3.00 | 6.00  |
| 30,000 to 60,000   | 0.68 | 1.19 | 8.43  | 1.00 | 0.75 | 15.00 | 11.50 | 5.12 | 8.00  | 8.50 | 1-14 UNS   | 10.00 | 6.00 | 5.12 | 8.00  |
| 100,000 to 150,000 | 0.81 | 1.38 | 10.37 | 1.25 | 1.25 | 18.00 | 14.00 | 7.50 | 10.00 | 9.50 | 1-14 UNS   | 12.00 | 9.00 | 7.50 | 10.00 |

## Complete Kit Includes

- One JB4SS NEMA Type 4X stainless steel signal trim junction box
- Three or four EZ Mount 1 stainless steel compression mounts
- Three or four RL70000SS stainless steel double-ended shear beam load cells
- 25 ft of hostile environment EL147HE SURVIVOR® load cell cable

## Standard Features

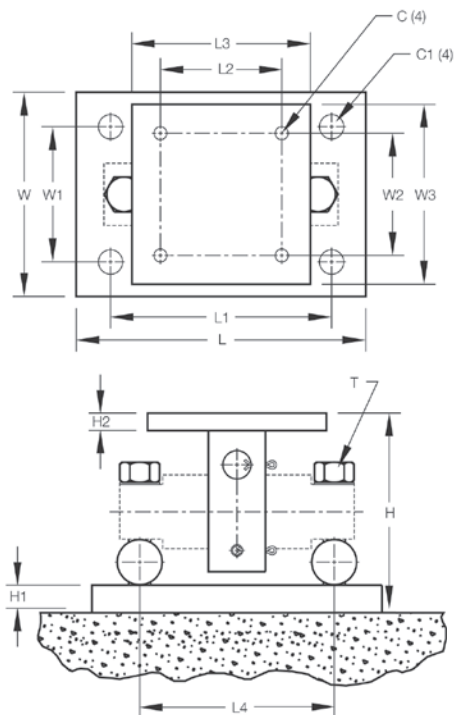
- Capacities (per module): 5,000 to 150,000 lb
- Unique sliding pin design compensates for thermal expansion/contraction
- NTEP Certified load cells (10 to 100 K)
- Self-checking
- Easy load cell replacement
- Simplified design allows bolting directly to tank and floor
- Center-loaded double-ended shear beam design
- Low-profile design
- 304 stainless steel construction

## Optional Features

- Kits available with VPG Revere 9103 load cell, capacities in 5,000 to 150,000 lb

## Applications

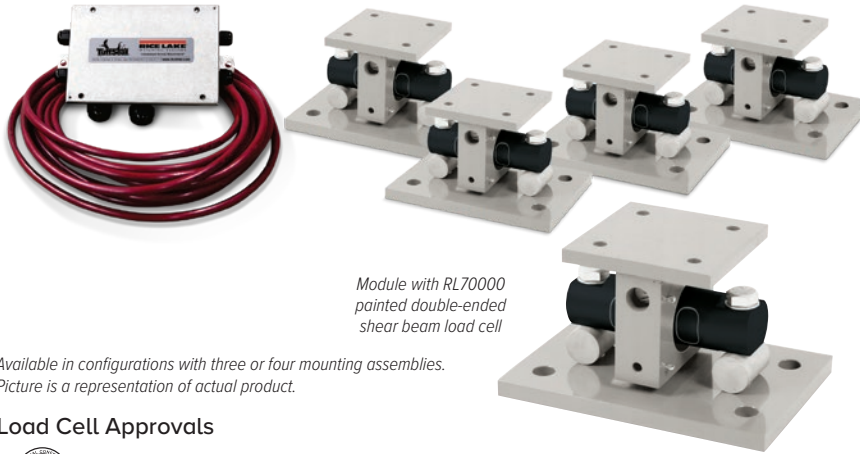
- Medium to heavy-capacity tank and hopper weighing applications



# EZ Mount 1 with Painted RL70000

Rice Lake Weighing Systems

LOAD CELLS / WEIGH MODULES



Module with RL70000 painted double-ended shear beam load cell

Available in configurations with three or four mounting assemblies. Picture is a representation of actual product.

## Load Cell Approvals



## Order Information

| Load Rating (Per Module)                          | Part #        | Price       |
|---|---------------|-------------|
| <b>Single Module (Does NOT Include Load Cell)</b> |               |             |
| 5,000 lb to 20,000 lb                             | <b>17943</b>  | \$845.00    |
| 30,000 lb to 60,000 lb                            | <b>17944</b>  | \$2,330.00  |
| 100,000 lb  | <b>17945</b>  | \$4,278.00  |
| 150,000 lb  | <b>29011</b>  | \$4,278.00  |
| <b>3-Module Kit</b>                               |               |             |
| 5,000 lb*   | <b>207819</b> | \$4,658.00  |
| 10,000 lb   | <b>207820</b> | \$4,658.00  |
| 20,000 lb   | <b>207821</b> | \$4,658.00  |
| 30,000 lb   | <b>207822</b> | \$9,535.00  |
| 40,000 lb   | <b>207823</b> | \$9,535.00  |
| 50,000 lb   | <b>207824</b> | \$9,535.00  |
| 60,000 lb   | <b>207825</b> | \$9,535.00  |
| 100,000 lb  | <b>207826</b> | \$17,910.00 |
| 150,000 lb*                                       | <b>207827</b> | \$17,910.00 |

\* Non-NTEP Certified

| Load Rating (Per Module)             | Part #        | Price       |
|--------------------------------------|---------------|-------------|
| <b>4-Module Kit</b>                  |               |             |
| 5,000 lb*                            | <b>207829</b> | \$6,228.00  |
| 10,000 lb                            | <b>207830</b> | \$6,228.00  |
| 20,000 lb                            | <b>207831</b> | \$6,228.00  |
| 30,000 lb                            | <b>207832</b> | \$12,715.00 |
| 40,000 lb                            | <b>207833</b> | \$12,715.00 |
| 50,000 lb                            | <b>207834</b> | \$12,715.00 |
| 60,000 lb                            | <b>207835</b> | \$12,715.00 |
| 100,000 lb                           | <b>207836</b> | \$23,845.00 |
| 150,000 lb*                          | <b>207837</b> | \$23,845.00 |
| <b>Dummy Load Cells (Mild Steel)</b> |               |             |
| 5,000 lb to 20,000 lb                | <b>33749</b>  | \$90.00     |
| 30,000 lb to 60,000 lb               | <b>74016</b>  | \$122.00    |
| 100,000 lb                           | <b>94175</b>  | \$265.00    |
| 150,000 lb                           | <b>158715</b> | \$265.00    |
| <b>Grounding Kit</b>                 |               |             |
| 5,000 lb to 60,000 lb                | <b>126419</b> | \$21.00     |

Includes ground strap and mounting hardware per mount

## Dimensions

| Rated Capacity        | C    | C1   | H     | H1   | H2   | L     | L1    | L2   | L3    | L4   | T          | W     | W1   | W2   | W3    |
|-----------------------|------|------|-------|------|------|-------|-------|------|-------|------|------------|-------|------|------|-------|
| 5,000 to 20,000 lb/in | 0.56 | 1.06 | 5.31  | 0.75 | 0.50 | 11.00 | 8.00  | 3.00 | 6.00  | 6.87 | 5/8-18 UNF | 7.50  | 4.00 | 3.00 | 6.00  |
| 30,000 to 60,000      | 0.68 | 1.19 | 8.43  | 1.00 | 0.75 | 15.00 | 11.50 | 5.12 | 8.00  | 8.50 | 1-14 UNS   | 10.00 | 6.00 | 5.12 | 8.00  |
| 100,000 to 150,000    | 0.81 | 1.38 | 10.37 | 1.25 | 1.25 | 18.00 | 14.00 | 7.50 | 10.00 | 9.50 | 1-14 UNS   | 12.00 | 9.00 | 7.50 | 10.00 |

## Complete Kit Includes

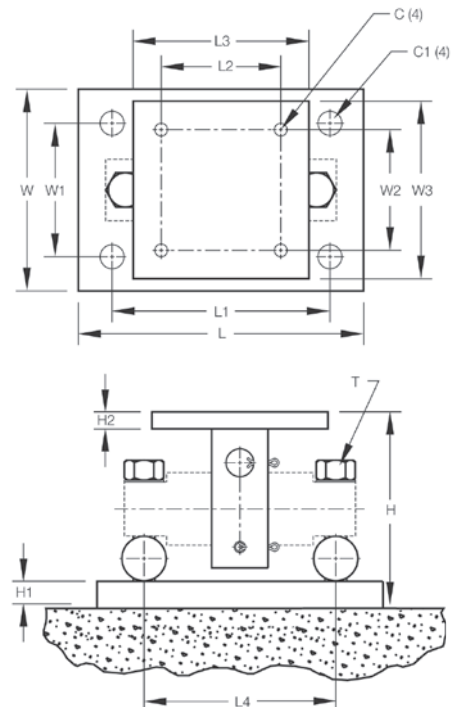
- One JB4SS NEMA Type 4X stainless steel signal trim junction box
- Three or four EZ Mount 1 stainless steel compression mounts
- Three or four RL70000 alloy painted double-ended shear beam load cells
- 25 ft of our hostile environment EL147HE SURVIVOR® load cell cable

## Standard Features

- Capacities (per module): 5,000 to 150,000 lb
- NTEP Certified load cells (5 to 100 k)
- Unique sliding pin design compensates for thermal expansion/contraction
- Self-checking
- Easy load cell replacement
- Simplified design allows bolting directly to tank and floor
- Center-loaded double-ended shear beam design
- Low-profile design
- 304 stainless steel construction (mount)

## Applications

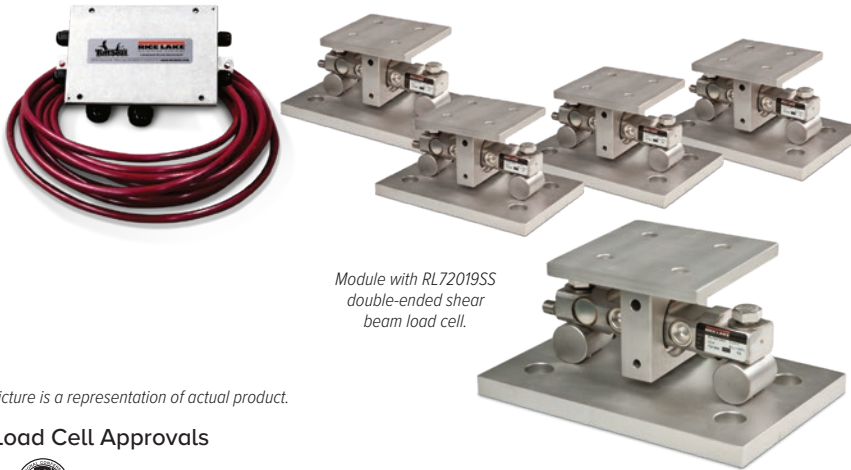
- Medium-to heavy-capacity tank and fertilizer hopper weighing applications



# EZ Mount 1 HE

Stainless Steel Weigh Modules, Rice Lake Weighing Systems

LOAD CELLS / WEIGH MODULES



Module with RL72019SS double-ended shear beam load cell.

Picture is a representation of actual product.

## Load Cell Approvals



## Order Information

| Load Rating (Per Module)             | Part #        | Price       |
|--------------------------------------|---------------|-------------|
| <b>3-Module Kit</b>                  |               |             |
| 5,000 lb*                            | <b>46695</b>  | \$6,115.00  |
| 10,000 lb                            | <b>46696</b>  | \$6,115.00  |
| 20,000 lb                            | <b>46697</b>  | \$6,115.00  |
| 30,000 lb                            | <b>46698</b>  | \$12,015.00 |
| 40,000 lb                            | <b>46699</b>  | \$12,015.00 |
| 50,000 lb                            | <b>46700</b>  | \$12,015.00 |
| 60,000 lb                            | <b>46701</b>  | \$12,015.00 |
| <b>4-Module Kit</b>                  |               |             |
| 5,000 lb*                            | <b>46702</b>  | \$8,230.00  |
| 10,000 lb                            | <b>46703</b>  | \$8,230.00  |
| 20,000 lb                            | <b>46704</b>  | \$8,230.00  |
| 30,000 lb                            | <b>46705</b>  | \$15,695.00 |
| 40,000 lb                            | <b>46706</b>  | \$15,695.00 |
| 50,000 lb                            | <b>46707</b>  | \$15,695.00 |
| 60,000 lb                            | <b>46708</b>  | \$15,695.00 |
| <b>Dummy Load Cells (Mild Steel)</b> |               |             |
| 5,000 lb to 20,000 lb                | <b>33749</b>  | \$90.00     |
| 30,000 lb to 60,000 lb               | <b>74016</b>  | \$122.00    |
| <b>Grounding Kit</b>                 |               |             |
| 5,000 lb to 60,000 lb                | <b>126419</b> | \$21.00     |

Includes ground strap and mounting hardware

\*Non-NTEP

## Shims

|  | Part #        | Price   |
|--|---------------|---------|
| <b>5,000 lb to 20,000 lb, Stainless Steel</b>    |               |         |
| 0.0625 in  | <b>150886</b> | \$12.00 |
| 0.125 in   | <b>150888</b> | \$18.00 |
| 0.250 in   | <b>150889</b> | \$29.00 |
| <b>30,000 lb to 60,000 lb, Stainless Steel</b>   |               |         |
| 0.0625 in  | <b>150890</b> | \$19.00 |
| 0.125 in   | <b>150891</b> | \$30.00 |
| 0.250 in   | <b>150892</b> | \$64.00 |
| <b>100,000 lb to 150,000 lb, Stainless Steel</b> |               |         |
| 0.0625 in  | <b>150893</b> | \$32.00 |
| 0.125 in   | <b>150894</b> | \$41.00 |
| 0.250 in   | <b>150896</b> | \$97.00 |
| <b>5,000 lb to 20,000 lb, Mild Steel</b>         |               |         |
| 0.0625 in  | <b>150874</b> | \$5.00  |
| 0.125 in   | <b>150876</b> | \$6.00  |
| 0.250 in   | <b>150877</b> | \$8.00  |
| <b>30,000 lb to 60,000 lb, Mild Steel</b>        |               |         |
| 0.0625 in  | <b>150878</b> | \$6.00  |
| 0.125 in   | <b>150880</b> | \$9.00  |
| 0.250 in   | <b>150881</b> | \$11.00 |
| <b>100,000 lb to 150,000 lb, Mild Steel</b>      |               |         |
| 0.0625 in  | <b>150882</b> | \$9.00  |
| 0.125 in   | <b>150884</b> | \$13.00 |
| 0.250 in   | <b>150885</b> | \$18.00 |

## Complete Kit Includes

- One JB4SS NEMA Type 4X stainless steel signal trim junction box
- Three or four EZ Mount 1 stainless steel compression mounts
- Three or four RL72019SS welded sealed stainless steel double-ended shear beam load cells
- 25 ft of our hostile environment EL147HE SURVIVOR® load cell cable

## Standard Features

- Capacities (per module): 5,000 to 60,000 lb
- Unique sliding pin design compensates for thermal expansion/contraction
- Self-checking
- Easy load cell replacement
- Simplified design allows bolting directly to tank and floor
- Center-loaded, double-ended shear beam design
- Low-profile design
- 304 stainless steel construction

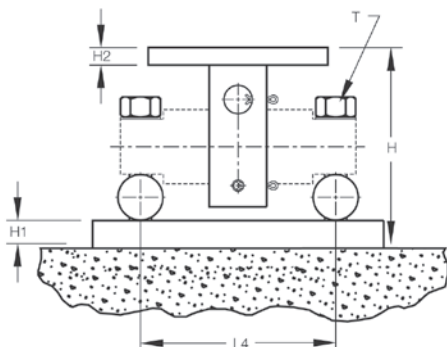
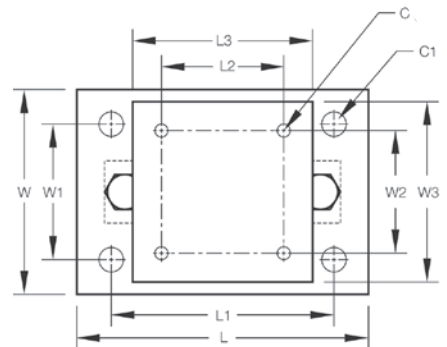
## Applications

- Medium- to heavy-capacity tank and hopper weighing applications

## Dimensions

| Rated Capacity   | C    | C1   | H    | H1   | H2   | L     | L1    | L2   | L3   | L4   | T          | W     | W1   | W2   | W3   |
|------------------|------|------|------|------|------|-------|-------|------|------|------|------------|-------|------|------|------|
| 5,000 to 20,000  | 0.56 | 1.06 | 5.31 | 0.75 | 0.50 | 11.00 | 8.00  | 3.00 | 6.00 | 6.87 | 5/8-18 UNF | 7.50  | 4.00 | 3.00 | 6.00 |
| 30,000 to 60,000 | 0.68 | 1.19 | 8.43 | 1.00 | 0.75 | 15.00 | 11.50 | 5.12 | 8.00 | 8.50 | 1-14 UNS   | 10.00 | 6.00 | 5.12 | 8.00 |

NOTES: Mounting bolts (T) may project on lower side of base plate. Foundation plate not included





# RL1600 Series

Cast Iron Weigh Modules

LOAD CELLS / WEIGH MODULES



Cast iron module with RL75016 double-ended beam load cell

Picture is a representation of actual product.

## Complete Kit Includes

- One JB4SS NEMA Type 4X stainless steel signal trim junction box
- Three or four RL1600 cast iron compression mounts
- Three or four RL75016 double-ended shear beam load cells
- 25 ft of hostile environment EL147HE SURVIVOR® load cell cable

## Standard Features

- Capacities (per module): 1,000 to 25,000 lb
- Cast iron construction
- Self-checking easy-to-use design allows module to be bolted directly to tank leg without requiring additional mounting plates or load buttons
- Environmentally protected load cells
- Double-ended beam design, center loaded

## Optional Features

- Kits available with VPG® Sensortronics 65016 load cells, capacities (per module): 1,000 to 25,000 lb

## Applications

- Medium- to heavy-capacity tanks, bins and hoppers
- Bulk material management

## Order Information

| Load Rating (Per Module)                          | Part #       | Price      |
|---|--------------|------------|
| <b>Single Module (Does NOT Include Load Cell)</b> |              |            |
| 1,000 lb to 5,000 lb                              | <b>17964</b> | \$175.00   |
| 10,000 lb to 25,000 lb                            | <b>17965</b> | \$340.00   |
| <b>3-Module Kit</b>                               |              |            |
| 1,000 lb  | <b>25663</b> | \$2,258.00 |
| 1,500 lb  | <b>25664</b> | \$2,258.00 |
| 2,000 lb  | <b>25665</b> | \$2,258.00 |
| 2,500 lb  | <b>25666</b> | \$2,258.00 |
| 3,000 lb  | <b>25667</b> | \$2,258.00 |
| 5,000 lb  | <b>25668</b> | \$2,258.00 |
| 10,000 lb   | <b>25669</b> | \$2,952.00 |
| 15,000 lb   | <b>25671</b> | \$2,952.00 |
| 20,000 lb   | <b>25672</b> | \$2,952.00 |
| 25,000 lb   | <b>25674</b> | \$2,952.00 |
| <b>4-Module Kit</b>                               |              |            |
| 1,000 lb  | <b>25675</b> | \$2,888.00 |
| 1,500 lb  | <b>25676</b> | \$2,888.00 |
| 2,000 lb  | <b>25677</b> | \$2,888.00 |
| 2,500 lb  | <b>25678</b> | \$2,888.00 |
| 3,000 lb  | <b>25679</b> | \$2,888.00 |
| 5,000 lb  | <b>25680</b> | \$2,888.00 |
| 10,000 lb   | <b>25681</b> | \$3,810.00 |
| 15,000 lb   | <b>25682</b> | \$3,810.00 |
| 20,000 lb   | <b>25683</b> | \$3,810.00 |
| 25,000 lb   | <b>25684</b> | \$3,810.00 |

## VPG Sensortronics 65016 Order Information

| Load Rating (Per Module) | Part #       | Price      |
|--------------------------|--------------|------------|
| <b>3-Module Kit</b>      |              |            |
| 1,000 lb                 | <b>25685</b> | \$2,655.00 |
| 1,500 lb                 | <b>25686</b> | \$2,655.00 |
| 2,500 lb                 | <b>25688</b> | \$2,655.00 |
| 5,000 lb                 | <b>25690</b> | \$2,655.00 |
| 10,000 lb                | <b>25691</b> | \$3,350.00 |
| 15,000 lb                | <b>25692</b> | \$3,350.00 |
| 20,000 lb                | <b>25693</b> | \$3,350.00 |
| 25,000 lb                | <b>25694</b> | \$3,350.00 |
| <b>4-Module Kit</b>      |              |            |
| 1,000 lb                 | <b>25695</b> | \$3,445.00 |
| 1,500 lb                 | <b>25696</b> | \$3,445.00 |
| 2,500 lb                 | <b>25698</b> | \$3,445.00 |
| 5,000 lb                 | <b>25700</b> | \$3,445.00 |
| 10,000 lb                | <b>25701</b> | \$4,399.00 |
| 15,000 lb                | <b>25702</b> | \$4,399.00 |
| 20,000 lb                | <b>25703</b> | \$4,399.00 |
| 25,000 lb                | <b>25704</b> | \$4,399.00 |
| <b>Dummy Load Cells</b>  |              |            |
| 1,000 lb to 5,000 lb     | <b>18236</b> | \$26.00    |
| 10,000 lb to 25,000 lb   | <b>18237</b> | \$42.00    |

# RL1600 Series

Cast Iron Weigh Modules

LOAD CELLS /  
WEIGH MODULES

## Load Cell Upgrade

| RL75016SS Stainless Steel Load Cells           |  |
|--|--|
| Three mount kits, 1,000 lb to 25,000 lb        | \$75.00 added to list price                      |
| Four mount kits, 1,000 lb to 25,000 lb         | \$100.00 added to list price                     |
| RL75016WHE Stainless Steel Hermetic Load Cells |  |
| Three mount kits 1,000 lb to 5,000 lb          | \$540.00, 10 k-25 k \$588.00 added to list price |
| Four mount kits 1,000 lb to 5,000 lb           | \$720.00, 10 k-25 k \$784.00 added to list price |

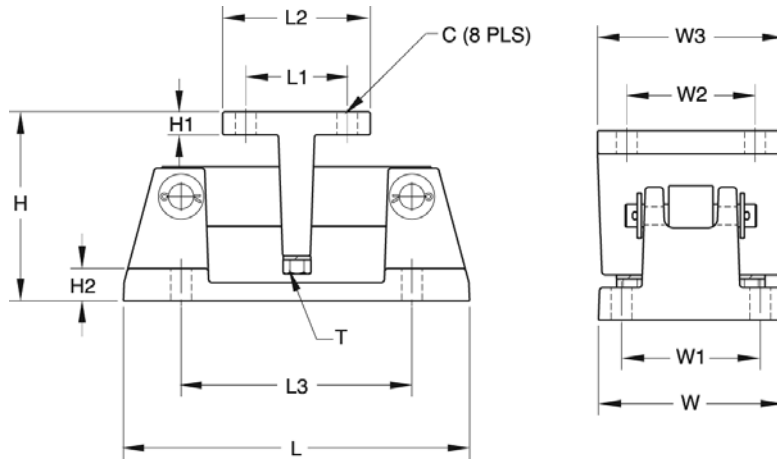
Contact factory for a 50,000 lb to 75,000 lb upgrade

## Shims, Mild Steel

|                               | Part #        | Price  |
|-------------------------------|---------------|--------|
| <b>1,000 lb to 5,000 lb</b>   |               |        |
| 0.0625 in                     | <b>150844</b> | \$2.00 |
| 0.125 in                      | <b>150845</b> | \$3.00 |
| 0.250 in                      | <b>150846</b> | \$3.00 |
| <b>10,000 lb to 25,000 lb</b> |               |        |
| 0.0625 in                     | <b>150847</b> | \$5.00 |
| 0.125 in                      | <b>150848</b> | \$7.50 |
| 0.250 in                      | <b>150849</b> | \$8.00 |

## Dimensions

| Rated Capacity   | C    | H    | H1   | H2   | L     | L1   | L2   | L3   | T          | W    | W1   | W2   | W3   |
|------------------|------|------|------|------|-------|------|------|------|------------|------|------|------|------|
| lb/in            |      |      |      |      |       |      |      |      |            |      |      |      |      |
| 1,000 to 5,000   | 0.56 | 5.00 | 0.50 | 0.50 | 9.31  | 2.75 | 4.00 | 6.25 | 1/2-13 UNC | 5.00 | 3.75 | 2.75 | 4.00 |
| 10,000 to 25,000 | 0.78 | 7.89 | 0.75 | 0.75 | 12.00 | 6.00 | 8.00 | 7.50 | 3/4-10 UNC | 8.00 | 6.00 | 6.00 | 8.00 |



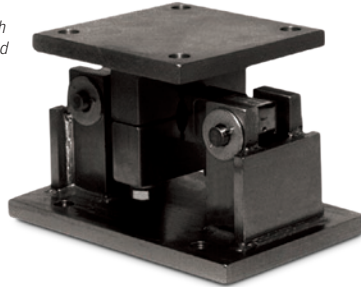
# RL1600 Series

Mild Steel Weigh Modules

LOAD CELLS / WEIGH MODULES



Mild steel module with RL75016 double-ended shear beam load cell.



Picture is a representation of actual product.

## Load Cell Approvals



## Order Information

| Load Rating (Per Module)                          | Part #       | Price      |
|---|--------------|------------|
| <b>Single Module (Does NOT Include Load Cell)</b> |              |            |
| 1,000 lb to 5,000 lb                              | <b>17812</b> | \$175.00   |
| 10,000 to 25,000 lb                               | <b>17814</b> | \$340.00   |
| 50,000 lb   | <b>17816</b> | \$1,140.00 |
| 75,000 lb   | <b>25346</b> | \$1,140.00 |
| <b>3-Module Kit</b>                               |              |            |
| 1,000 lb  | <b>18117</b> | \$2,258.00 |
| 1,500 lb  | <b>18118</b> | \$2,258.00 |
| 2,000 lb  | <b>18119</b> | \$2,258.00 |
| 2,500 lb  | <b>18120</b> | \$2,258.00 |
| 3,000 lb  | <b>18121</b> | \$2,258.00 |
| 5,000 lb  | <b>18122</b> | \$2,258.00 |
| 10,000 lb   | <b>18123</b> | \$2,952.00 |
| 15,000 lb   | <b>18124</b> | \$2,952.00 |
| 20,000 lb   | <b>18125</b> | \$2,952.00 |
| 25,000 lb   | <b>18126</b> | \$2,952.00 |
| 50,000 lb   | <b>18127</b> | \$6,138.00 |
| 75,000 lb   | <b>25348</b> | \$6,138.00 |
| <b>4-Module Kit</b>                               |              |            |
| 1,000 lb  | <b>18129</b> | \$2,888.00 |
| 1,500 lb  | <b>18130</b> | \$2,888.00 |
| 2,000 lb  | <b>18131</b> | \$2,888.00 |
| 2,500 lb  | <b>18132</b> | \$2,888.00 |
| 3,000 lb  | <b>18133</b> | \$2,888.00 |
| 5,000 lb  | <b>18134</b> | \$2,888.00 |
| 10,000 lb   | <b>18135</b> | \$3,810.00 |
| 15,000 lb   | <b>18136</b> | \$3,810.00 |
| 20,000 lb   | <b>18137</b> | \$3,810.00 |
| 25,000 lb   | <b>18138</b> | \$3,810.00 |
| 50,000 lb   | <b>18139</b> | \$8,199.00 |
| 75,000 lb   | <b>25349</b> | \$8,199.00 |

## VPG Sensortronics 65016 Order Information

| Load Rating (Per Module) | Part #       | Price      |
|--------------------------|--------------|------------|
| <b>3-Module Kit</b>      |              |            |
| 1,000 lb                 | <b>18189</b> | \$2,655.00 |
| 1,500 lb                 | <b>18190</b> | \$2,655.00 |
| 2,500 lb                 | <b>18192</b> | \$2,655.00 |
| 5,000 lb                 | <b>18194</b> | \$2,655.00 |
| 10,000 lb                | <b>18195</b> | \$3,350.00 |
| 15,000 lb                | <b>18196</b> | \$3,350.00 |
| 20,000 lb                | <b>18197</b> | \$3,350.00 |
| 25,000 lb                | <b>18198</b> | \$3,350.00 |
| 50,000 lb                | <b>18199</b> | \$6,633.00 |
| 75,000 lb                | <b>25350</b> | \$6,633.00 |
| <b>4-Module Kit</b>      |              |            |
| 1,000 lb                 | <b>18201</b> | \$3,445.00 |
| 1,500 lb                 | <b>18202</b> | \$3,445.00 |
| 2,500 lb                 | <b>18204</b> | \$3,445.00 |
| 5,000 lb                 | <b>18206</b> | \$3,445.00 |
| 10,000 lb                | <b>18207</b> | \$4,399.00 |
| 15,000 lb                | <b>18208</b> | \$4,399.00 |
| 20,000 lb                | <b>18209</b> | \$4,399.00 |
| 25,000 lb                | <b>18210</b> | \$4,399.00 |
| 50,000 lb                | <b>18211</b> | \$8,692.00 |
| 75,000 lb                | <b>25351</b> | \$8,692.00 |
| <b>Dummy Load Cells</b>  |              |            |
| 1,000 lb to 5,000 lb     | <b>18236</b> | \$26.00    |
| 10,000 lb to 25,000 lb   | <b>18237</b> | \$42.00    |
| 50,000 lb                | <b>18238</b> | \$56.00    |

## Complete Kit Includes

- One JB4SS NEMA Type 4X stainless steel signal trim junction box
- Three or four RL1600 mild steel compression mounts
- Three or four RL75016 double-ended shear beam load cells
- 25 ft of our hostile environment EL147HE SURVIVOR® load cell cable

## Standard Features

- Capacities (per module): 1,000 to 75,000 lb
- Self-checking, easy-to-use design allows module to be bolted directly to tank leg without requiring additional mounting plates or load buttons
- Environmentally protected load cells
- Double-ended shear beam design, center loaded
- Painted mild steel construction

## Optional Features

- Kits available with VPG Sensortronics 65016 load cells, capacities (per module): 1,000 to 75,000 lb

## Applications

- Medium- to heavy-capacity tanks, bins and hoppers
- Bulk material management

# RL1600 Series

Mild Steel Weigh Modules

LOAD CELLS /  
WEIGH MODULES

## Load Cell Upgrade

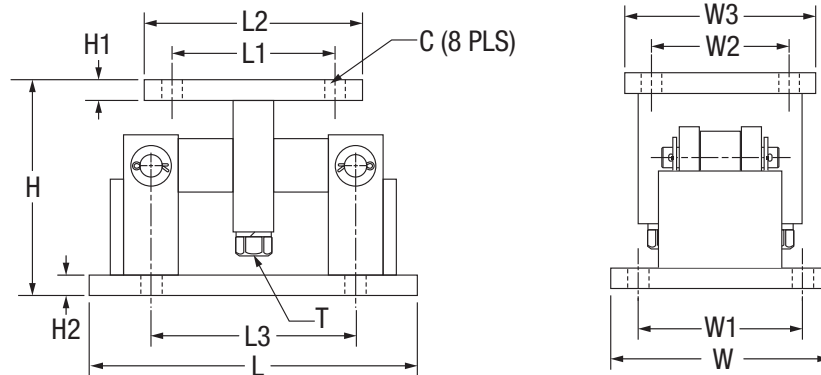
| RL75016SS Stainless Steel Load Cells   |  |
|--|--|
| Three mount kits, 1,000 lb to 25,000 lb                                      | \$75.00 added to list price                      |
| Four mount kits, 1,000 lb to 25,000 lb                                       | \$100.00 added to list price                     |
| RL75016WHE Stainless Steel Hermetic Load Cells                               |  |
| Three mount kits, 1,000 lb to 5,000 lb                                       | \$540.00, 10 k-25 k \$588.00 added to list price |
| Four mount kits, 1,000 lb to 5,000 lb  | \$720.00, 10 k-25 k \$784.00 added to list price |
| <i>Contact factory for a 50,000 lb to 75,000 lb adder for stainless only</i> |  |

## Dimensions

| Rated Capacity   | C    | H    | H1   | H2   | L     | L1   | L2   | L3    | T           | W     | W1   | W2   | W3   |
|------------------|------|------|------|------|-------|------|------|-------|-------------|-------|------|------|------|
| lb/in            |      |      |      |      |       |      |      |       |             |       |      |      |      |
| 1,000 to 5,000   | 0.56 | 5.00 | 0.50 | 0.50 | 9.25  | 2.75 | 4.00 | 6.25  | 1/2-13 UNC  | 5.00  | 3.75 | 2.75 | 4.00 |
| 10,000 to 25,000 | 0.78 | 7.87 | 0.75 | 0.75 | 12.00 | 6.00 | 8.00 | 7.50  | 3/4-10 UNC  | 8.00  | 6.00 | 6.00 | 8.00 |
| 50,000 to 75,000 | 0.78 | 9.25 | 1.00 | 1.00 | 16.25 | 6.50 | 9.00 | 11.50 | 1 1/4-7 UNC | 12.00 | 9.50 | 6.50 | 9.00 |

## Shims, Mild Steel

|                               | Part # | Price  |
|-------------------------------|--------|--------|
| <b>1,000 lb to 5,000 lb</b>   |        |        |
| 0.0625 in                     | 150844 | \$2.00 |
| 0.125 in                      | 150845 | \$3.00 |
| 0.250 in                      | 150846 | \$3.00 |
| <b>10,000 lb to 25,000 lb</b> |        |        |
| 0.0625 in                     | 150847 | \$5.00 |
| 0.125 in                      | 150848 | \$7.50 |
| 0.250 in                      | 150849 | \$8.00 |
| <b>50,000 lb to 75,000 lb</b> |        |        |
| 0.0625 in                     | 150850 | \$7.00 |
| 0.125 in                      | 150851 | \$9.00 |
| 0.250 in                      | 150866 | \$7.50 |



# RL1600 Series SS

Stainless Steel Weigh Modules

LOAD CELLS / WEIGH MODULES



Fabricated stainless steel module with RL75016SS double-ended beam load cell.

Picture is a representation of actual product.

## Load Cell Approvals



## Order Information

| Load Rating (Per Module)                          | Part #       | Price       |
|---|--------------|-------------|
| <b>Single Module (Does NOT Include Load Cell)</b> |              |             |
| 1,000 lb to 5,000 lb                              | <b>17813</b> | \$657.00    |
| 10,000 lb to 25,000 lb                            | <b>17815</b> | \$1,283.00  |
| 50,000 lb   | <b>17842</b> | \$3,032.00  |
| 75,000 lb   | <b>25347</b> | \$3,032.00  |
| <b>3-Module Kit</b>                               |              |             |
| 1,000 lb  | <b>18141</b> | \$3,736.00  |
| 1,500 lb  | <b>18142</b> | \$3,736.00  |
| 2,000 lb  | <b>18143</b> | \$3,736.00  |
| 2,500 lb  | <b>18144</b> | \$3,736.00  |
| 5,000 lb  | <b>18145</b> | \$3,736.00  |
| 10,000 lb   | <b>18146</b> | \$5,645.00  |
| 15,000 lb   | <b>18147</b> | \$5,645.00  |
| 20,000 lb   | <b>18148</b> | \$5,645.00  |
| 25,000 lb   | <b>18149</b> | \$5,645.00  |
| 50,000 lb   | <b>18150</b> | \$12,800.00 |
| 75,000 lb   | <b>25352</b> | \$12,800.00 |
| <b>4-Module Kit</b>                               |              |             |
| 1,000 lb  | <b>18152</b> | \$4,876.00  |
| 1,500 lb  | <b>18153</b> | \$4,876.00  |
| 2,000 lb  | <b>18154</b> | \$4,876.00  |
| 2,500 lb  | <b>18155</b> | \$4,876.00  |
| 5,000 lb  | <b>18156</b> | \$4,876.00  |
| 10,000 lb   | <b>18157</b> | \$7,711.00  |
| 15,000 lb   | <b>18158</b> | \$7,711.00  |
| 20,000 lb   | <b>18159</b> | \$7,711.00  |
| 25,000 lb   | <b>18160</b> | \$7,711.00  |
| 50,000 lb   | <b>18161</b> | \$17,283.00 |
| 75,000 lb   | <b>25353</b> | \$17,283.00 |

## VPG Sensortronics 65016W Order Information

| Load Rating (Per Module)             | Part #       | Price       |
|--------------------------------------|--------------|-------------|
| <b>3-Module Kit</b>                  |              |             |
| 1,000 lb                             | <b>18213</b> | \$4,007.00  |
| 1,500 lb                             | <b>18214</b> | \$4,007.00  |
| 2,500 lb                             | <b>18216</b> | \$4,007.00  |
| 5,000 lb                             | <b>18217</b> | \$4,007.00  |
| 10,000 lb                            | <b>18218</b> | \$6,095.00  |
| 15,000 lb                            | <b>18219</b> | \$6,095.00  |
| 20,000 lb                            | <b>18220</b> | \$6,095.00  |
| 25,000 lb                            | <b>18221</b> | \$6,095.00  |
| 50,000 lb                            | <b>18222</b> | \$13,356.00 |
| 75,000 lb                            | <b>25354</b> | \$13,356.00 |
| <b>4-Module Kit</b>                  |              |             |
| 1,000 lb                             | <b>18224</b> | \$5,263.00  |
| 1,500 lb                             | <b>18225</b> | \$5,263.00  |
| 2,500 lb                             | <b>18227</b> | \$5,263.00  |
| 5,000 lb                             | <b>18228</b> | \$5,263.00  |
| 10,000 lb                            | <b>18229</b> | \$8,045.00  |
| 15,000 lb                            | <b>18230</b> | \$8,045.00  |
| 20,000 lb                            | <b>18231</b> | \$8,045.00  |
| 25,000 lb                            | <b>18232</b> | \$8,045.00  |
| 50,000 lb                            | <b>18233</b> | \$17,617.00 |
| 75,000 lb                            | <b>25355</b> | \$17,617.00 |
| <b>Dummy Load Cells (Mild Steel)</b> |              |             |
| 1,000 lb to 5,000 lb                 | <b>18236</b> | \$26.00     |
| 10,000 lb to 25,000 lb               | <b>18237</b> | \$42.00     |
| 50,000 lb                            | <b>18238</b> | \$56.00     |

## Complete Kit Includes

- One JB4SS NEMA Type 4X stainless steel signal trim junction box
- Three or four RL1600 stainless steel compression mounts
- Three or four RL75016SS stainless steel double-ended shear beam load cells
- 25 ft of hostile environment EL147HE SURVIVOR® load cell cable

## Standard Features

- Capacities (per module): 1,000 to 75,000 lb
- 304 stainless steel construction
- Self-checking, easy-to-use design allows module to be bolted directly to tank leg without requiring additional mounting plates or load buttons
- Environmentally protected load cells
- Double-ended shear beam design, center loaded

## Optional Features

- Kits available with VPG Sensortronics® 65016W SS load cells

## Applications

- Medium- to heavy-capacity tanks, bins and hoppers
- Bulk material management

# RL1600 Series SS

Stainless Steel Weigh Modules

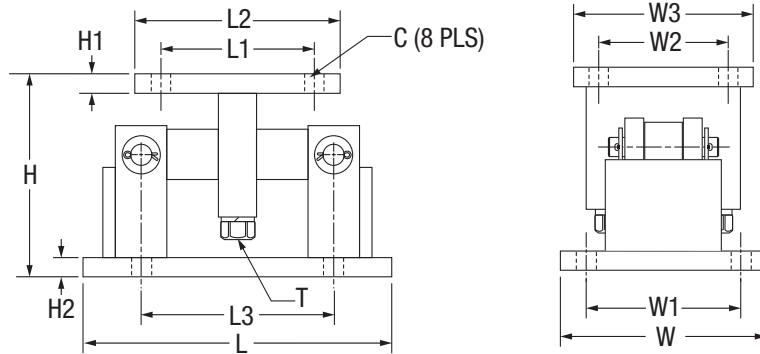
LOAD CELLS /  
WEIGH MODULES

## Shims, Stainless

|                               | Part #        | Price   |
|-------------------------------|---------------|---------|
| <b>1,000 lb to 5,000 lb</b>   |               |         |
| 0.0625                        | <b>150852</b> | \$7.00  |
| 0.125                         | <b>150853</b> | \$12.00 |
| 0.250                         | <b>150854</b> | \$18.00 |
| <b>10,000 lb to 25,000 lb</b> |               |         |
| 0.0625                        | <b>150855</b> | \$19.00 |
| 0.125                         | <b>150856</b> | \$30.00 |
| 0.250                         | <b>150857</b> | \$65.00 |
| <b>50,000 lb to 75,000 lb</b> |               |         |
| 0.0625                        | <b>150858</b> | \$27.00 |
| 0.125                         | <b>150859</b> | \$38.00 |
| 0.250                         | <b>150861</b> | \$79.00 |

## Dimensions

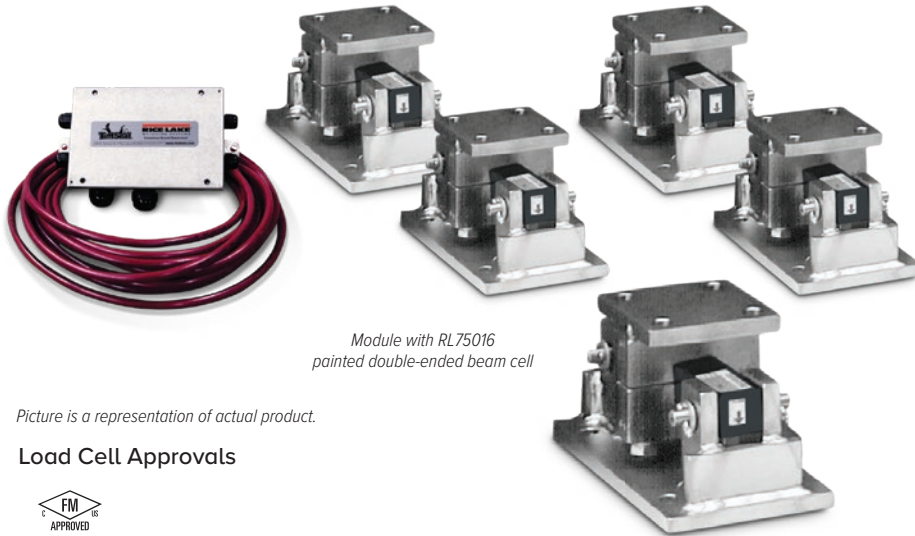
| Rated Capacity   | C    | H    | H1   | H2   | L     | L1   | L2   | L3    | T           | W     | W1   | W2   | W3   |
|------------------|------|------|------|------|-------|------|------|-------|-------------|-------|------|------|------|
| 1,000 to 5,000   | 0.56 | 5.00 | 0.50 | 0.50 | 9.25  | 2.75 | 4.00 | 6.25  | 1/2-13 UNC  | 5.00  | 3.75 | 2.75 | 4.00 |
| 10,000 to 25,000 | 0.78 | 7.87 | 0.75 | 0.75 | 12.00 | 6.00 | 8.00 | 7.50  | 3/4-10 UNC  | 8.00  | 6.00 | 6.00 | 8.00 |
| 50,000 to 75,000 | 0.78 | 9.25 | 1.00 | 1.00 | 16.25 | 6.50 | 9.00 | 11.50 | 1 1/4-7 UNC | 12.00 | 9.50 | 6.50 | 9.00 |



# RL1600 Series Painted Load Cell Version

Stainless Steel Weigh Modules

LOAD CELLS / WEIGH MODULES



Module with RL75016 painted double-ended beam cell

Picture is a representation of actual product.

## Load Cell Approvals



## Order Information

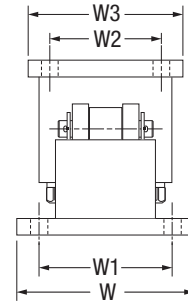
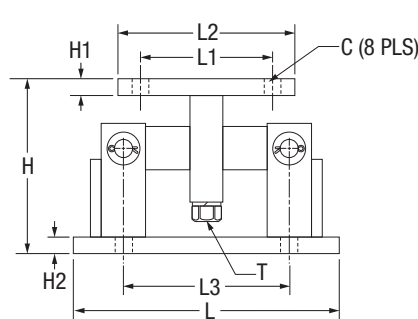
| Load Rating (Per Module)                          | Part #        | Price       |
|---|---------------|-------------|
| <b>Single Module (Does NOT Include Load Cell)</b> |               |             |
| 1,000 lb to 5,000 lb                              | <b>17813</b>  | \$657.00    |
| 10,000 lb to 25,000 lb                            | <b>17815</b>  | \$1,283.00  |
| 50,000 lb   | <b>17842</b>  | \$3,032.00  |
| 75,000 lb   | <b>25347</b>  | \$3,032.00  |
| <b>3-Module Kit</b>                               |               |             |
| 1,000 lb  | <b>199023</b> | \$3,736.00  |
| 1,500 lb  | <b>199025</b> | \$3,736.00  |
| 2,000 lb  | <b>199027</b> | \$3,736.00  |
| 2,500 lb  | <b>199029</b> | \$3,736.00  |
| 3,000 lb  | <b>199031</b> | \$3,736.00  |
| 5,000 lb  | <b>199033</b> | \$3,736.00  |
| 10,000 lb   | <b>199035</b> | \$5,645.00  |
| 15,000 lb   | <b>199037</b> | \$5,645.00  |
| 20,000 lb   | <b>199038</b> | \$5,645.00  |
| 25,000 lb   | <b>199040</b> | \$5,645.00  |
| 50,000 lb   | <b>199042</b> | \$12,800.00 |
| 75,000 lb   | <b>199044</b> | \$12,800.00 |
| <b>4-Module Kit</b>                               |               |             |
| 1,000 lb  | <b>199024</b> | \$4,876.00  |
| 1,500 lb  | <b>199026</b> | \$4,876.00  |
| 2,000 lb  | <b>199028</b> | \$4,876.00  |
| 2,500 lb  | <b>199030</b> | \$4,876.00  |
| 3,000 lb  | <b>199032</b> | \$4,876.00  |
| 5,000 lb  | <b>199034</b> | \$4,876.00  |
| 10,000 lb   | <b>199036</b> | \$7,711.00  |
| 15,000 lb   | <b>199056</b> | \$7,711.00  |
| 20,000 lb   | <b>199039</b> | \$7,711.00  |
| 25,000 lb   | <b>199041</b> | \$7,711.00  |
| 50,000 lb   | <b>199043</b> | \$17,283.00 |
| 75,000 lb   | <b>199045</b> | \$17,283.00 |

## Shims, Stainless

|                               | Part #        | Price   |
|-------------------------------|---------------|---------|
| <b>1,000 lb to 5,000 lb</b>   |               |         |
| 0.0625                        | <b>150852</b> | \$7.00  |
| 0.125                         | <b>150853</b> | \$12.00 |
| 0.250                         | <b>150854</b> | \$18.00 |
| <b>10,000 lb to 25,000 lb</b> |               |         |
| 0.0625                        | <b>150855</b> | \$19.00 |
| 0.125                         | <b>150856</b> | \$30.00 |
| 0.250                         | <b>150857</b> | \$65.00 |
| <b>50,000 lb to 75,000 lb</b> |               |         |
| 0.0625                        | <b>150858</b> | \$27.00 |
| 0.125                         | <b>150859</b> | \$38.00 |
| 0.250                         | <b>150861</b> | \$79.00 |

## Dimensions

| Rated Capacity   | C    | H    | H1   | H2   | L     | L1   | L2   | L3    | T           | W     | W1   | W2   | W3   |
|------------------|------|------|------|------|-------|------|------|-------|-------------|-------|------|------|------|
| lb/in            |      |      |      |      |       |      |      |       |             |       |      |      |      |
| 1,000 to 5,000   | 0.56 | 5.00 | 0.50 | 0.50 | 9.25  | 2.75 | 4.00 | 6.25  | 1/2-13 UNC  | 5.00  | 3.75 | 2.75 | 4.00 |
| 10,000 to 25,000 | 0.78 | 7.87 | 0.75 | 0.75 | 12.00 | 6.00 | 8.00 | 7.50  | 3/4-10 UNC  | 8.00  | 6.00 | 6.00 | 8.00 |
| 50,000 to 75,000 | 0.78 | 9.25 | 1.00 | 1.00 | 16.25 | 6.50 | 9.00 | 11.50 | 1 1/4-7 UNC | 12.00 | 9.50 | 6.50 | 9.00 |



## Complete Kit Includes

- One JB4SS NEMA Type 4X stainless steel signal trim junction box
- Three or four RL1600 stainless steel compression mounts
- Three or four RL75016 painted alloy steel double ended shear beam load cells
- 25 ft of hostile environment EL147HE SURVIVOR® load cell cable

## Standard Features:

- Capacities (per module): 1,000 to 75,000 lb
- Self-checking, easy-to-use design allows module to be bolted directly to tank leg without requiring additional mounting plates or load buttons
- Environmentally protected load cells
- Double-ended shear beam design, center loaded

## Applications

- Medium-to heavy-capacity tanks, bins and hoppers
- Bulk material management

# MVS Mount/MVS

Conversion Kit

LOAD CELLS /  
WEIGH MODULES



Picture is a representation of actual product.

## Load Cell Approvals



## Order Information

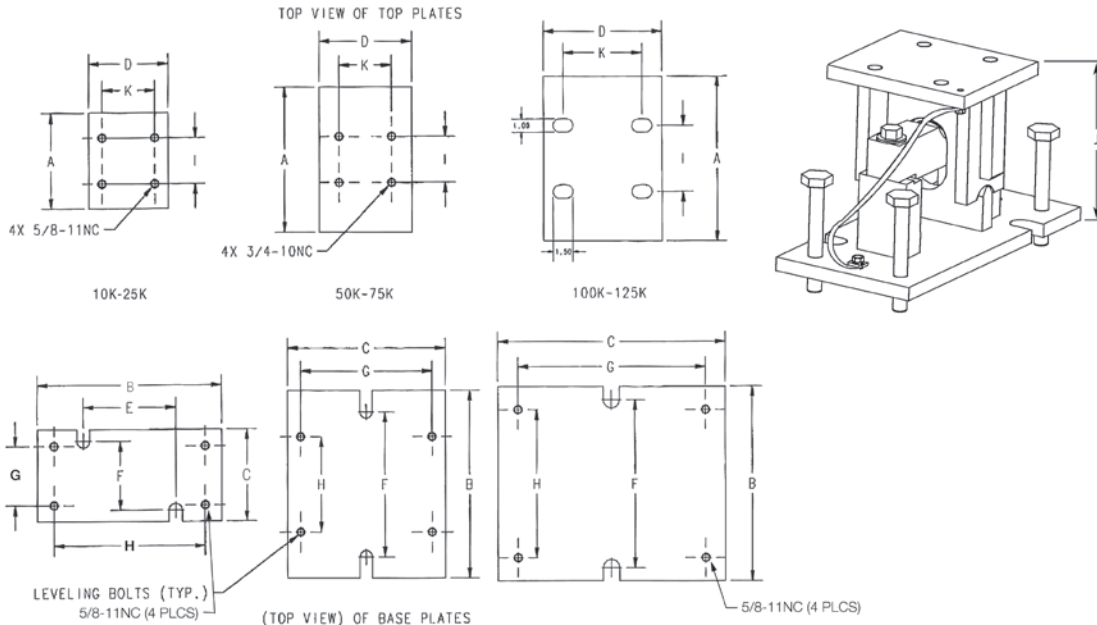
| Load Rating (Per Module)   | Part #        | Price       |
|--|---------------|-------------|
| <b>MVS Mount (Does NOT Include Load Cell)</b>  |               |             |
| 10,000 lb to 25,000 lb   | <b>71200</b>  | \$695.00    |
| 50,000 lb to 75,000 lb   | <b>46441</b>  | \$810.00    |
| 100,000 lb to 125,000 lb   | <b>68520</b>  | \$1,405.00  |
| <b>MVS Conversion Kits (Includes 75,000 lb* Load Cells, Mounts and Junction Box)</b> |               |             |
| 4-module kit   | <b>68495</b>  | \$7,287.00  |
| 6-module kit   | <b>68496</b>  | \$10,722.00 |
| 8-module kit   | <b>68497</b>  | \$14,580.00 |
| 10-module kit  | <b>68498</b>  | \$18,915.00 |
| <b>Dummy Load Cell</b>   |               |             |
| 50,000 lb to 75,000 lb   | <b>169388</b> | \$175.00    |
| 100,000 lb to 125,000 lb   | <b>159696</b> | \$212.00    |

Custom heights available; Consult

\* Consult for other capacity requirements

## Dimensions

| Rated Capacity     | A     | B     | C     | D    | E    | F     | G     | H     | I    | J     | K    |
|--------------------|-------|-------|-------|------|------|-------|-------|-------|------|-------|------|
| 10,000 to 25,000   | 7.25  | 14.00 | 7.00  | 6.00 | 7.00 | 5.25  | 4.50  | 11.50 | 3.50 | 8.50  | 4.00 |
| 50,000 to 75,000   | 11.00 | 14.25 | 12.00 | 7.00 | —    | 11.00 | 10.00 | 7.25  | 3.50 | 11.53 | 4.00 |
| 100,000 to 125,000 | 12.50 | 14.75 | 17.25 | 9.00 | —    | 12.75 | 14.25 | 11.25 | 5.00 | 14.21 | 6.00 |



## Complete Kit Includes

- 4 to 10 RL75058-LP 75,000 lb load cells with 35 ft or 60 ft cables
- 4 to 10 MVS mounts
- JB8SPT junction box (JB1010 on 10 module kit)
- 100 ft of our hostile environment EL147HE SURVIVOR® load cell cable

## Standard Features

- Capacity design: 10,000 to 125,000 lb
- Mild steel construction
- Specially hardened center link
- Self-checking design
- Self-centering design
- Accommodates thermal expansion and contraction

## Optional Features

- VPG Sensortronics® 65058 or VPG Celtron® CLB

## Applications

- Truck scale conversion
- Heavy-capacity horizontal tanks



# Translink™ Parallel Link

Truck Scale Assembly, Rice Lake Weighing Systems

LOAD CELLS /  
WEIGH MODULES



Mount only; does not include load cell.  
Picture is a representation of actual product.

## Standard Features

- Capacities: 25,000 to 100,000 lb
- Center-supported, end-loaded double-ended shear beam design
- Free movement in all directions in the horizontal plane with virtually no friction
- Links provide optimal loading conditions for the cell
- Completely self-centering
- Requires no check rods
- Utilizes cells with 3 mV/V output
- Models available are RL75223 and RL75040, VPG Revere® 5223 and VPG Sensortronics® 65040A load cells

## Applications

- Truck scale mount
- Heavy-capacity horizontal tanks

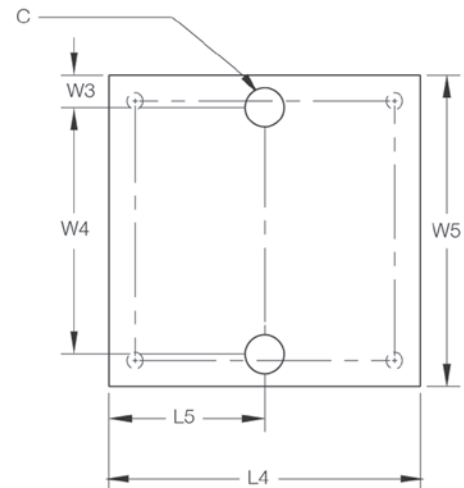
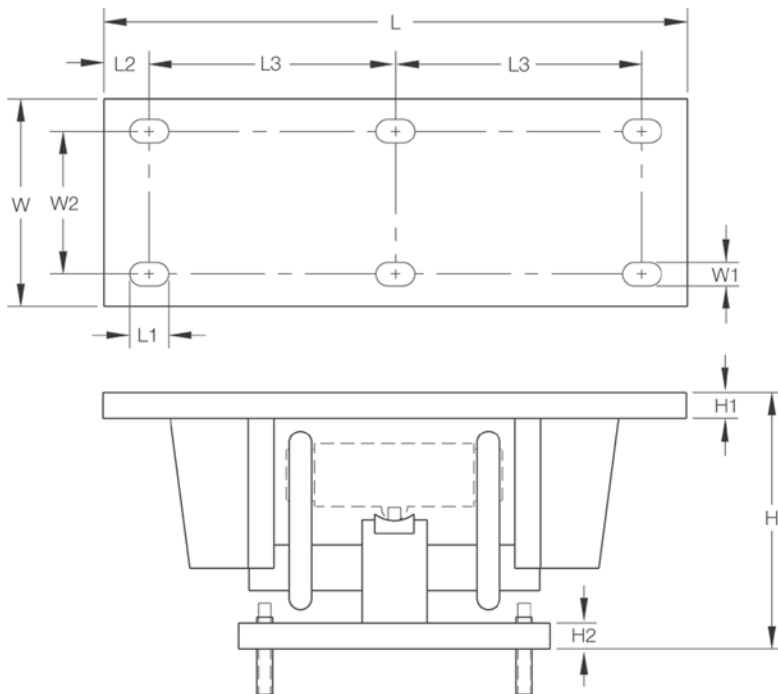
## Order Information

| Load Rating (Per Module)                       | Part #       | Price    |
|--|--------------|----------|
| <b>For Use With RL75223, 5223 Load Cells</b>   |              |          |
| 50,000 lb to 100,000 lb                        | <b>17970</b> | \$845.00 |
| <b>For Use With RL75040, 65040A Load Cells</b> |              |          |
| 25,000 lb to 40,000 lb                         | <b>17971</b> | \$845.00 |
| 50,000 lb to 75,000 lb                         | <b>17972</b> | \$845.00 |

Mount only; does not include load cell

## Dimensions

| Rated Capacity                     | C    | H     | H1   | H2   | L     | L1   | L2   | L3   | L4    | L5   | W    | W1   | W2   | W3   | W4   | W5    |
|------------------------------------|------|-------|------|------|-------|------|------|------|-------|------|------|------|------|------|------|-------|
| 50,000 to 100,000 (RL75223, 5223)  | 1.50 | 12.93 | 1.00 | 1.00 | 22.50 | 1.50 | 1.75 | 9.50 | 11.75 | 5.88 | 7.75 | 0.91 | 5.25 | 1.25 | 9.25 | 11.75 |
| 25,000 to 40,000 (RL75040, 65040A) | 1.50 | 9.88  | 1.00 | 1.00 | 18.50 | 1.50 | 1.75 | 7.50 | 11.75 | 5.88 | 7.75 | 0.91 | 5.25 | 1.25 | 9.25 | 11.75 |
| 50,000 to 75,000 (RL75040, 65040A) | 1.50 | 12.82 | 1.00 | 1.00 | 22.50 | 1.50 | 1.75 | 9.50 | 11.75 | 5.88 | 7.75 | 0.91 | 5.25 | 1.25 | 9.25 | 11.75 |



# Motor Truck Scale Electronic Conversion Kit

Rice Lake Weighing Systems

LOAD CELLS / WEIGH MODULES



Picture is a representation of actual product.

## Order Information

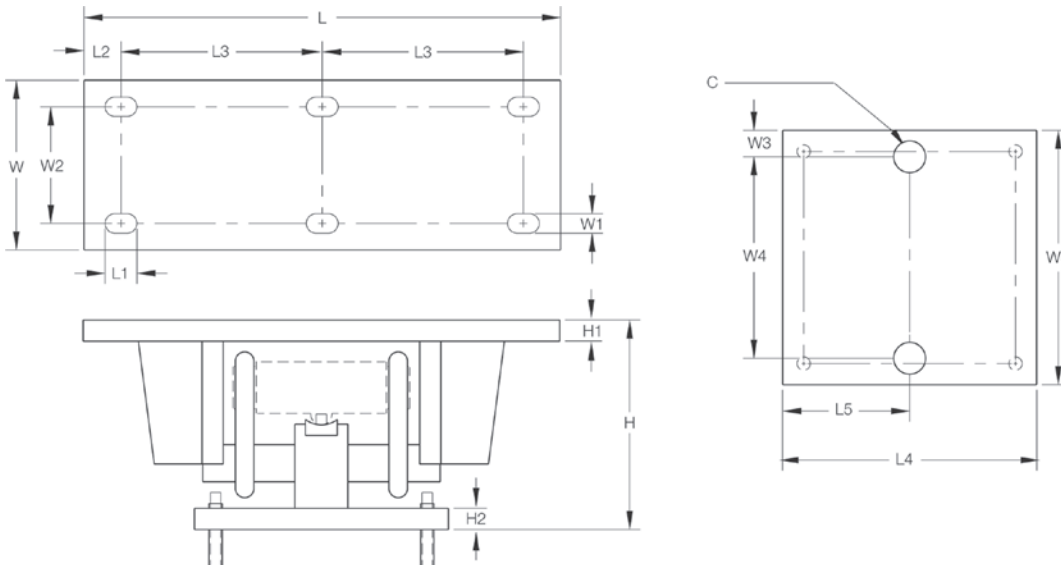
| Scale Suggested Capacity  | Load Cell Capacity (Per Module) | Part #       | Load Cell Used In Kit | Price       |
|---|---------------------------------|--------------|-----------------------|-------------|
| <b>4-Module Kit (Includes Weigh Modules Load Cells, Junction Box, and Transient Protection)</b> |                                 |              |                       |             |
| 40,000 lb   | 25,000 lb                       | <b>30513</b> | RL75040               | \$6,164.00  |
| 60,000 lb   | 40,000 lb                       | <b>30514</b> | RL75040               | \$6,694.00  |
| <b>6-Module Kit (Includes Weigh Modules Load Cells, Junction Box and Transient Protection)</b>  |                                 |              |                       |             |
| 100,000 lb  | 50,000 lb                       | <b>30515</b> | RL75040               | \$10,525.00 |
| 120,000 lb  | 60,000 lb                       | <b>30516</b> | RL75040               | \$10,525.00 |
| <b>8-Module Kit (Includes Weigh Modules Load Cells, Junction Box and Transient Protection)</b>  |                                 |              |                       |             |
| 120,000 lb  | 60,000 lb                       | <b>30517</b> | RL75040               | \$13,579.00 |
| 200,000 lb  | 75,000 lb                       | <b>30518</b> | RL75040               | \$13,579.00 |
| 300,000 lb  | 100,000 lb                      | <b>30512</b> | RL75223               | \$16,467.00 |

SD refers to super duty, 100,000 lb capacity welded-seal load cells

## Dimensions

| Rated Capacity              | C    | H*    | H1   | H2   | L     | L1   | L2   | L3   | L4    | L5   | W    | W1   | W2   | W3   | W4** | W5    |
|-----------------------------|------|-------|------|------|-------|------|------|------|-------|------|------|------|------|------|------|-------|
| lb/in                       |      |       |      |      |       |      |      |      |       |      |      |      |      |      |      |       |
| 50,000 to 100,000 (RL75223) | 1.50 | 12.93 | 1.00 | 1.00 | 22.50 | 1.50 | 1.75 | 9.50 | 11.75 | 5.88 | 7.75 | 0.91 | 5.25 | 1.25 | 9.25 | 11.75 |
| 25,000 to 40,000 (RL75040)  | 1.50 | 9.88  | 1.00 | 1.00 | 18.50 | 1.50 | 1.75 | 7.50 | 11.75 | 5.88 | 7.75 | 0.91 | 5.25 | 1.25 | 9.25 | 11.75 |
| 50,000 to 75,000 (RL75040)  | 1.50 | 12.82 | 1.00 | 1.00 | 22.50 | 1.50 | 1.75 | 9.50 | 11.75 | 5.88 | 7.75 | 0.91 | 5.25 | 1.25 | 9.25 | 11.75 |

\*Custom heights available; consult \*\*Custom hole spacing for existing bolt patterns is available; consult



## Complete Kit Includes

- One JB8SP NEMA Type 4X signal-trim junction box with individual and section trimming capability (six- and eight-mount kits) or one JB4SP NEMA Type 4X signal-trim junction box (four-mount kits)
- One UJB3T6 DC transient protector
- Four, six or eight Translink mounting assemblies with RL75040 or RL75223 load cells
- 100 ft of hostile environment EL147HE SURVIVOR® load cell cable

## Standard Features

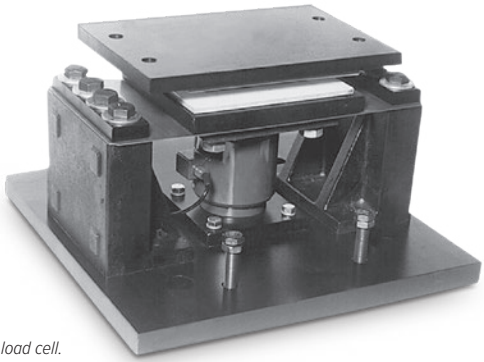
- Cost and time efficient installation; no need to remove weighbridge
- Converts existing scale capacities of 40,000 to 300,000 lb
- Four, six or eight-mount kits for two, three or four section conversions
- Translink™ heavy-capacity mounting assemblies
- Free movement in all directions in the horizontal plane with virtually no friction
- Completely self-centering
- Requires no check rods
- Capacity per mount: 25,000 to 100,000 lb
- Utilizes cells with 3 mV/V output

## Optional Features

- Custom heights available; consult
- Rice Lake RL75223 welded-seal, VPG Sensortronics® 65040A or VPG Revere® 5223 load cells

## Applications

- Updating existing mechanical motor truck scales
- Replacing unsatisfactory electronic motor truck scales
- Conversion of heavy-capacity scales into fully electronic vehicle scales where the existing scale cannot be removed



Mount only; does not include load cell.  
Picture is a representation of actual product.

### Standard Features

- Capacities: 50,000 lb, 100,000 lb and 200,000 lb
- Protects load cell from shock and side loads
- Low-profile design
- High-strength load bearing plate made of high-grade carbon steel hardened to Rockwell C 48-54
- PTFE-coated shock absorbing pads
- Compatible with VPG® Reverse CP and CSP and Rice Lake Weighing Systems' RLCSP1 NTEP Certified load cells

### Applications

- Truck scale mount\*
- Heavy-capacity horizontal tanks\*
- Railroad track mount\*

\*Check rods required

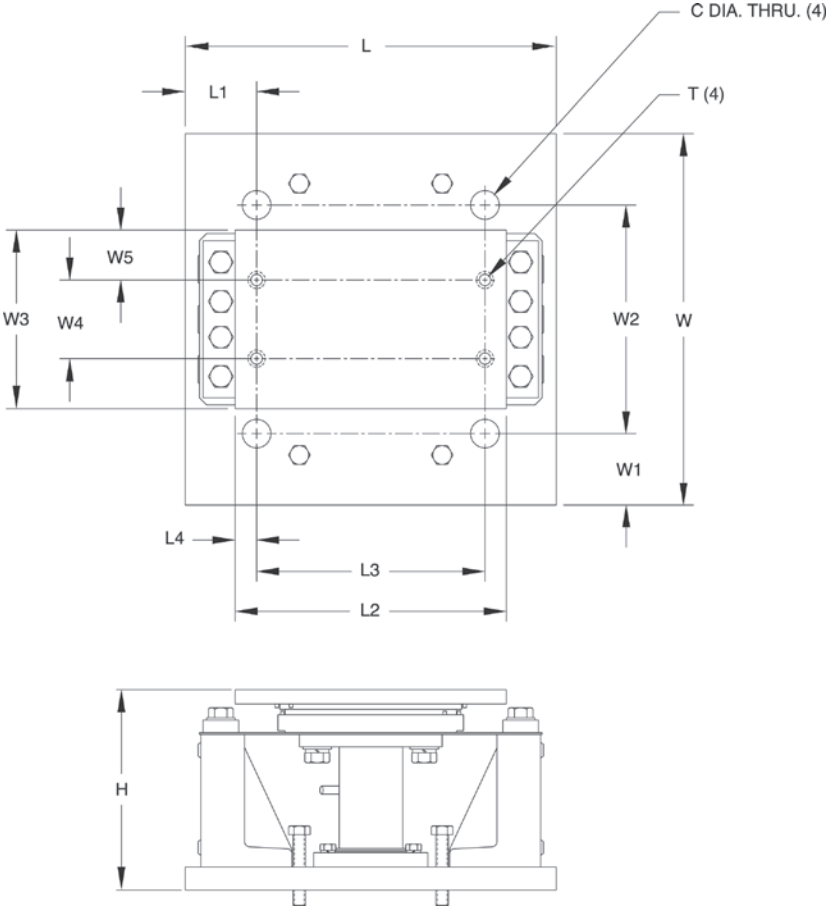
### Order Information

| Load Rating (Per Module) | Part #       | Price      |
|--------------------------|--------------|------------|
| 50,000 lb                | <b>21723</b> | \$1,855.00 |
| 100,000 lb               | <b>21724</b> | \$2,210.00 |
| 200,000 lb               | <b>17974</b> | \$3,145.00 |

Mount only; does not include load cell

### Dimensions

| Rated Capacity | C    | H     | L     | L1   | L2    | L3    | L4   | T          | W     | W1   | W2    | W3    | W4   | W5   |
|----------------|------|-------|-------|------|-------|-------|------|------------|-------|------|-------|-------|------|------|
| 50,000         | 1.25 | 7.39  | 13.00 | 1.75 | 11.25 | 8.50  | 1.37 | 3/4-10 UNC | 12.00 | 1.75 | 8.50  | 8.00  | 4.50 | 1.75 |
| 100,000        | 1.50 | 11.29 | 20.00 | 2.25 | 18.00 | 15.50 | 1.25 | 7/8-9 UNC  | 17.00 | 2.50 | 12.00 | 9.00  | 5.50 | 1.75 |
| 200,000        | 2.00 | 14.10 | 26.00 | 5.00 | 19.00 | 16.00 | 1.50 | 1-8 UNC    | 26.00 | 5.00 | 16.00 | 12.50 | 5.50 | 3.50 |



# Mettler Toledo® DigiTOL® Retrofit Kit

Stainless Steel, Rice Lake Weighing Systems/Flintec

LOAD CELLS /  
WEIGH MODULES

## RC1 Load Cells



Shown here with the JB8SP signal trim junction box.  
Picture is a representation of actual product.

### Load Cell Approvals



### DigiTOL Retrofit Order information

| Description                                      | Part #        | Price       |
|--|---------------|-------------|
| 8 mount kit (RC1-56,000) 1 JB8SP junction box    | <b>78713</b>  | \$9,323.00  |
| 10 mount kit (RC1-56,000) 2 JB8SP junction boxes | <b>78714</b>  | \$11,337.00 |
| 12 mount kit (RC1-56,000) 3 EL304 junction boxes | <b>152774</b> | \$13,987.00 |

### Complete Kit Includes

- Signal trim EL204 or JB8SP junction boxes
- 8, 10 or 12 Flintec RC1-250 KN load cells with upper and lower load cups
- 8, 10 or 12 Flintec RC3 load cells with upper and lower load cups
- 100 ft of hostile environment EL147HE SURVIVOR® load cell cable
- Cups included

### Standard Features

- Stainless steel hermetically sealed load cells
- Converts existing Mettler -Toledo DigiTOL scale to an analog based load cell weighing system
- 8, 10 or 12 load cells and cups plus junction box and home run cable
- Load cells are NTEP Certified 1:10,000 divisions, Class III\*
- Rocker design load cells
- Load cups

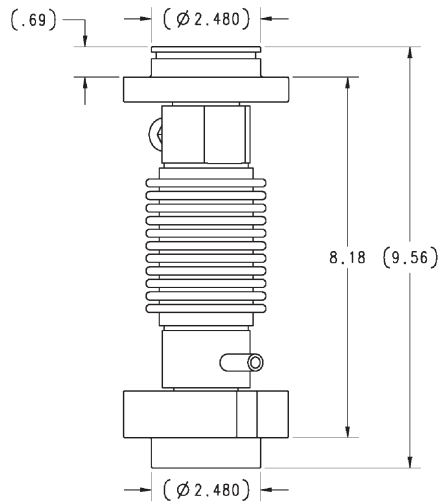
\*Consult your local Weights & Measures Authorities for local Legal for Trade requirements

### Warranty

- One-year limited

### Applications

- Mettler Toledo® DigiTOL® truck scale conversion



RC1-250KN

# Mettler Toledo® DigiTOL® Retrofit Kit

Stainless Steel, Rice Lake Weighing Systems/Flintec

LOAD CELLS /  
WEIGH MODULES

## RC3 Load Cells



Shown here with the JB8SP signal trim junction box  
Picture is a representation of actual product

### Load Cell Approvals



## DigiTOL Retrofit Order information

| Description  | Part #        | Price       |
|--|---------------|-------------|
| 8 mount kit (RC3-50T) RR/track 2 EL304 junction boxes  | <b>129844</b> | \$12,715.00 |
| 8 mount kit (RC3-50T) truck 2 EL304 junction boxes     | <b>154347</b> | \$12,715.00 |
| 10 mount kit (RC3-50T) RR/track 2 JB8SP junction boxes | <b>111367</b> | \$15,683.00 |
| 10 mount kit (RC3-50T) truck 3 EL304 junction boxes    | <b>154348</b> | \$15,683.00 |
| 12 mount kit (RC3-50T) truck 3 EL304 junction boxes    | <b>154349</b> | \$18,216.00 |

## Complete Kit Includes

- Signal trim EL204 or JB8SP junction boxes
- 8, 10 or 12 Flintec RC1-250 KN load cells with upper and lower load cups
- 8, 10 or 12 Flintec RC3 load cells with upper and lower load cups
- 100 ft of hostile environment EL147HE SURVIVOR® load cell cable
- Cups included

## Standard Features

- Stainless steel hermetically sealed load cells
- Converts existing Mettler-Toledo DigiTOL scale to an analog based load cell weighing system
- 8, 10 or 12 load cells and cups plus junction box and home run cable
- Load cells are NTEP Certified 1:10,000 divisions, Class IIII\*
- Rocker design load cells
- Load cups

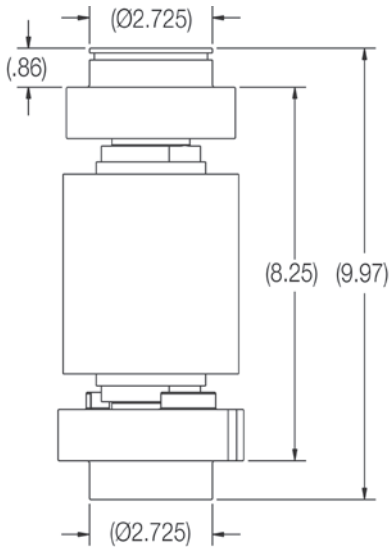
\*Consult your local Weights & Measures Authorities for local Legal for Trade requirements

## Warranty

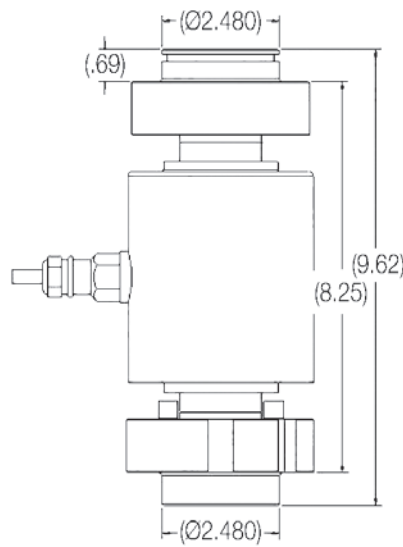
- One-year limited

## Applications

- Mettler Toledo® DigiTOL® truck scale conversion

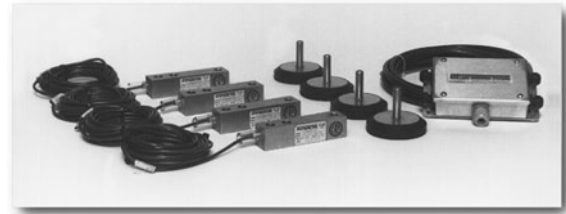


RC3-50t  
RR TRACK



RC3-50t  
TRUCK

# Electronic Floor Scale Underdeck Kits



Underdeck kits are provided to meet the application needs of the electronic floor scale producer and are an easy source for rebuilding existing floor scales. Underdeck kits are provided with mounting plates and load cell bolts for easy installation.

## Economical Kit

| Kit Includes  |
|---|
| (4) VPG® Celtron SQB alloy steel NTEP Certified 5,000 d, Class III load cells |
| (1) JB4SS stainless steel NEMA Type 4X junction box                           |
| (4) SureFoot® high-accuracy stainless steel support feet                      |
| 20 ft EL147HE load cell cable   |
| (4) mounting plates and (8) load cell bolts                                   |

## Order Information

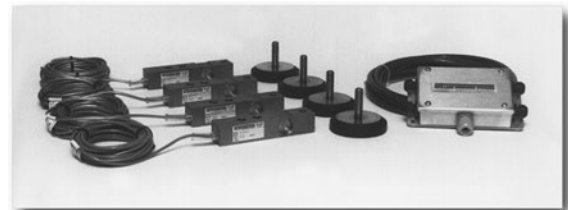
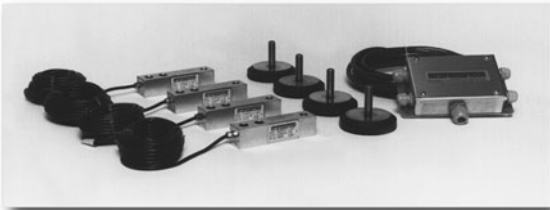
| Scale Base Capacity         | Part #       | Price    |
|-----------------------------|--------------|----------|
| 1,000 lb for 2,000 lb base  | <b>26436</b> | \$980.00 |
| 2,500 lb for 5,000 lb base  | <b>26437</b> | \$980.00 |
| 4,000 lb for 10,000 lb base | <b>26438</b> | \$980.00 |

## Chemical, Dry Corrosive & Non-Washdown Applications Kit

| Kit Includes  |
|---|
| (4) VPG® Celtron SQB-HSS stainless steel NTEP Certified 5,000 d, Class III load cells |
| (1) JB4SS stainless steel NEMA Type 4X junction box                                   |
| (4) SureFoot® high-accuracy stainless steel support feet                              |
| 20 ft EL147HE load cell cable   |
| (4) mounting plates and (8) load cell bolts   |

## Order Information

| Scale Base Capacity         | Part #       | Price      |
|-----------------------------|--------------|------------|
| 1,000 lb for 2,000 lb base  | <b>19035</b> | \$1,378.00 |
| 2,500 lb for 5,000 lb base  | <b>19036</b> | \$1,378.00 |
| 4,000 lb for 10,000 lb base | <b>19037</b> | \$1,378.00 |



## Standard Precision Applications Kit

| Kit Includes   |
|--|
| (4) Rice Lake RL32018 alloy steel NTEP Certified 5,000 d, Class III load cells |
| (1) JB4SS stainless steel NEMA Type 4X junction box                            |
| (4) SureFoot high-accuracy stainless steel support feet                        |
| 20 ft EL147HE load cell cable  |
| (4) mounting plates and (8) load cell bolts                                    |

NOTES: The use of NTEP Certified load cells in a scale base does not constitute approval of the completed base. Consult with local or state jurisdiction for compliance requirements.

## Order Information

| Scale Base Capacity         | Part #       | Price      |
|-----------------------------|--------------|------------|
| 1,000 lb for 2,000 lb base  | <b>19032</b> | \$1,060.00 |
| 2,500 lb for 5,000 lb base  | <b>19033</b> | \$1,060.00 |
| 4,000 lb for 10,000 lb base | <b>19034</b> | \$1,060.00 |

## Wet Applications Kit

| Kit Includes   |
|--|
| (4) Rice Lake RL32018S-HE welded-seal stainless steel NTEP Certified 5,000 d, Class III load cells |
| (1) JB4SS stainless steel NEMA Type 4X junction box  |
| (4) SureFoot® high-accuracy stainless steel support feet   |
| 20 ft EL147HE load cell cable  |
| (4) mounting plates and (8) load cell bolts  |

## Order Information

| Scale Base Capacity         | Part #       | Price      |
|-----------------------------|--------------|------------|
| 1,000 lb for 2,000 lb base  | <b>19038</b> | \$1,706.00 |
| 2,500 lb for 5,000 lb base  | <b>19039</b> | \$1,706.00 |
| 4,000 lb for 10,000 lb base | <b>19040</b> | \$1,706.00 |

Alloy Steel, Environmentally Sealed, NTEP Certified 1:5,000 III/1:10,000 IIII, IP67



Picture is a representation of actual product.

**Approvals****Order Information**

| Load Rating  | Part # | Est. Weight | Price    |
|--|--------|-------------|----------|
| 25 lb  | 21428  | 2 lb        | \$290.00 |
| 50 lb  | 21429  | 2 lb        | \$290.00 |
| 75 lb  | 21430  | 2 lb        | \$290.00 |
| 100 lb   | 21431  | 2 lb        | \$290.00 |
| 150 lb   | 21432  | 2 lb        | \$290.00 |
| 200 lb   | 21433  | 2 lb        | \$290.00 |
| 250 lb   | 21434  | 2 lb        | \$290.00 |
| 300 lb   | 21435  | 2 lb        | \$290.00 |
| 500 lb   | 21436  | 2 lb        | \$290.00 |
| 750 lb   | 21437  | 2 lb        | \$290.00 |
| 1,000 lb   | 21438  | 2 lb        | \$290.00 |
| 1,500 lb   | 21439  | 2 lb        | \$290.00 |
| 2,000 lb***  | 21356  | 2 lb        | \$358.00 |
| 2,000 lb   | 21440  | 2 lb        | \$290.00 |
| 2,500 lb   | 21441  | 2 lb        | \$290.00 |
| 3,000 lb   | 21442  | 4 lb        | \$334.00 |
| 5,000 lb***  | 17044  | 4 lb        | \$505.00 |
| 5,000 lb   | 21443  | 4 lb        | \$466.00 |
| 10,000 lb  | 21444  | 4 lb        | \$466.00 |
| 15,000 lb  | 21445  | 7 lb        | \$588.00 |
| 20,000 lb***   | 17045  | 17 lb       | \$993.00 |
| 20,000 lb  | 21446  | 17 lb       | \$927.00 |
| <b>Conduit Adapter Kit* (must be factory installed to maintain warranty)</b> |        |             |          |
| 3/8-24 nipple  | 31533* | 1 lb        | \$37.00  |
| 3/8-24 to 1/4-18 NPT   | 31534* | 1 lb        | \$37.00  |
| <b>Replacement Agriculture Scale Load Cell - 40 ft Cable</b>                 |        |             |          |
| 10,000 lb  | 151746 | 5 lb        | \$493.00 |

\*PN 31533 and PN 31534 must be installed together to form the Conduit Adapter Kit

\*\*\*These load cells have 30ft or 35ft of cable and trimmed outputs and are used in many batch plants

**Dimensions**

| Rated Capacity  | A            | B    | C    | D    | E    |
|-----------------|--------------|------|------|------|------|
| lb/in           |              |      |      |      |      |
| 25 to 300       | 1/4-28 UNF   | 0.75 | 0.50 | 2.00 | 2.50 |
| 500 to 1,500    | 1/2-20 UNF   | 1.00 | 0.75 | 2.00 | 2.50 |
| 2,000 to 2,500  | 1/2-20 UNF   | 1.25 | 1.00 | 2.00 | 2.50 |
| 3,000           | 1/2-20 UNF   | 1.25 | 1.00 | 3.00 | 4.00 |
| 5,000 to 10,000 | 3/4-16 UNF   | 1.25 | 1.00 | 3.00 | 4.00 |
| 15,000          | 1-12 UNF     | 1.50 | 1.25 | 4.00 | 5.50 |
| 20,000          | 1 1/4-12 UNF | 2.25 | 2.00 | 5.00 | 7.00 |

**Interchangeable Products**

ARTECH®

**20210 (1-14 UNF)** (15,000 lb thread is 1-12 UNF for Rice Lake model)**Weigh Module Available**

RICE LAKE WEIGHING SYSTEMS

**ITCM Isolated Tension Cell Mount****Specifications****Full Scale Output:**

3.0 mV/V

**Output Resistance:**

350 (± 3) ohm

**Input Resistance:**

385 (± 5) ohm

**Material/Finish:**

High-alloy steel, nickel plated

**Temperature:**

Compensated range

14 °F to 104 °F (-10 °C to 40 °C)

Operating range

0 °F to 150 °F (-18 °C to 65 °C)

**Seal Type:**

Environmentally sealed, IP67

**Safe Overload:**

150% full scale

**Rated Excitation:**

5 to 10 VDC (15 V maximum)

**Combined Error:**

0.02% full scale

**Insulation Resistance:**

5,000 megohm

**Cable Length:**

20 ft

30 ft (pn 17044 and 17045)

35 ft (pn 21356)

**Cable Diameter:**

0.200 in

Polyurethane jacket

**Cable Color Code:**

Red +Excitation

Black -Excitation

Green +Signal

White -Signal

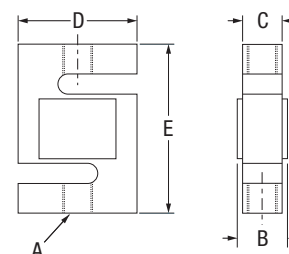
**Warranty:**

Two-year limited

**Approvals:**

NTEP 90-158

cFMus



# RL2000SS

Stainless Steel, Environmentally Sealed, NTEP Certified 1:10,000 Class III L Single Cell, IP67

LOAD CELLS /  
WEIGH MODULES



Picture is a representation of actual product.

### Approvals



### Order Information

| Load Rating  | Part # | Est. Weight | Price    |
|--|--------|-------------|----------|
| <b>NTEP Certified</b>  |        |             |          |
| 100 lb   | 46511  | 2 lb        | \$312.00 |
| 250 lb   | 46503  | 2 lb        | \$312.00 |
| 300 lb   | 181826 | 2 lb        | \$312.00 |
| 500 lb   | 46504  | 2 lb        | \$312.00 |
| 750 lb   | 46505  | 2 lb        | \$312.00 |
| 1,000 lb   | 46506  | 2 lb        | \$312.00 |
| 2,500 lb   | 46507  | 2 lb        | \$312.00 |
| 3,000 lb   | 46508  | 4 lb        | \$345.00 |
| 5,000 lb   | 46509  | 4 lb        | \$503.00 |
| 10,000 lb  | 46510  | 4 lb        | \$525.00 |
| <b>Non-NTEP Certified</b>  |        |             |          |
| 50 lb  | 17013  | 2 lb        | \$312.00 |
| 15,000 lb  | 158375 | 7 lb        | \$715.00 |
| 20,000 lb  | 158376 | 13 lb       | \$948.00 |
| <b>Conduit Adapter Kit* (must be factory installed to maintain warranty)</b> |        |             |          |
| 3/8-24 nipple  | 31533* | 1 lb        | \$37.00  |
| 3/8-24 to 1/4-18 NPT   | 31534* | 1 lb        | \$37.00  |

\* PN 31533 and PN 31534 must be installed together to form the Conduit Adapter Kit

### Dimensions

| Rated Capacity | A            | B    | C    | D    | E    |
|----------------|--------------|------|------|------|------|
| 50 to 300      | 1/4-28 UNF   | 0.65 | 0.46 | 2.00 | 2.40 |
| 500 to 1,000   | 1/2-20 UNF   | 0.90 | 0.71 | 2.00 | 2.40 |
| 2,500          | 1/2-20 UNF   | 1.15 | 0.96 | 2.00 | 2.40 |
| 3,000          | 1/2-20 UNF   | 1.15 | 0.96 | 3.00 | 3.90 |
| 5,000          | 3/4-16 UNF   | 1.15 | 0.96 | 3.00 | 3.90 |
| 10,000         | 3/4-16 UNF   | 1.40 | 1.21 | 3.00 | 3.90 |
| 15,000         | 1-14 UNS     | 1.63 | 1.46 | 3.44 | 5.50 |
| 20,000         | 1 1/4-12 UNF | 1.88 | 1.68 | 4.44 | 7.00 |

### Interchangeable Products

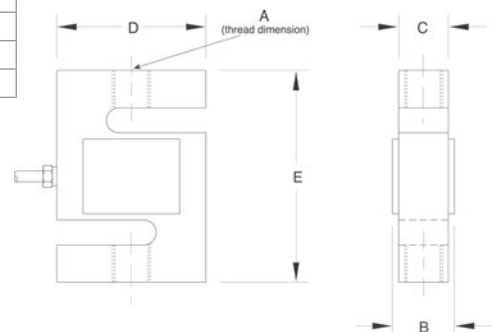
VPG® REVERE  
**9363**  
ARTECH®  
**SS2010**

### Weigh Module Available

RICE LAKE WEIGHING SYSTEMS  
**ITCM Isolated Tension Cell Mount**

### Specifications

- Full Scale Output:** 3.0 (± 0.008) mV/V
- Output Resistance:** 350 (± 3.5) ohm
- Input Resistance:** 390 (± 15) ohm
- Material/Finish:** Stainless steel
- Temperature:** Compensated range 14 °F to 104 °F (-10 °C to 40 °C)  
Operating range 0 °F to 150 °F (-18 °C to 65 °C)
- Seal Type:** Environmentally sealed, IP67
- Safe Overload:** 150% full scale
- Rated Excitation:** 5 to 10 VDC (15 V maximum)
- Combined Error:** 0.03% full scale
- Insulation Resistance:** 5,000 megohm
- Cable Length:** 20 ft
- Cable Color Code:** Red +Excitation  
Black -Excitation  
Green +Signal  
White -Signal
- Warranty:** Two-year limited
- Approvals:** NTEP 98-078  
cFMus





Stainless Steel, Environmentally Sealed, NTEP Certified 1:10,000 Class III Single Cell, IP67



Picture is a representation of actual product.

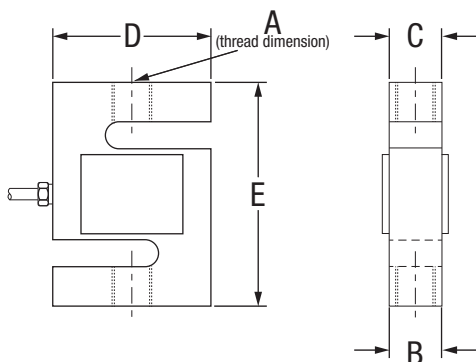
**Approvals****Order Information**

| Load Rating  | Part #        | Est. Weight | Price    |
|--|---------------|-------------|----------|
| 50 lb  | <b>72741</b>  | 2 lb        | \$334.00 |
| 100 lb   | <b>72742</b>  | 2 lb        | \$334.00 |
| 200 lb   | <b>72743</b>  | 2 lb        | \$334.00 |
| 250 lb   | <b>72744</b>  | 2 lb        | \$334.00 |
| 300 lb   | <b>72745</b>  | 2 lb        | \$334.00 |
| 500 lb   | <b>72746</b>  | 2 lb        | \$334.00 |
| 750 lb   | <b>72747</b>  | 2 lb        | \$334.00 |
| 1,000 lb   | <b>72748</b>  | 2 lb        | \$334.00 |
| 1,500 lb   | <b>72749</b>  | 2 lb        | \$334.00 |
| 2,000 lb   | <b>72750</b>  | 2 lb        | \$334.00 |
| 2,500 lb   | <b>72751</b>  | 2 lb        | \$334.00 |
| 3,000 lb   | <b>72752</b>  | 4 lb        | \$440.00 |
| 5,000 lb   | <b>72753</b>  | 4 lb        | \$545.00 |
| <b>Conduit Adapter Kit* (must be factory installed to maintain warranty)</b> |               |             |          |
| 3/8-24 nipple  | <b>31533*</b> | 1 lb        | \$37.00  |
| 3/8-24 to 1/4-18 NPT   | <b>31534*</b> | 1 lb        | \$37.00  |

\*PN 31533 and PN 31534 must be installed together to form the Conduit Adapter Kit.

**Dimensions**

| Rated Capacity | A          | B    | C    | D    | E    |
|----------------|------------|------|------|------|------|
| lb/in          |            |      |      |      |      |
| 50 to 300      | 1/4-28 UNF | 0.65 | 0.46 | 2.00 | 2.40 |
| 500 to 1,000   | 1/2-20 UNF | 0.90 | 0.71 | 2.00 | 2.40 |
| 1,500 to 2,500 | 1/2-20 UNF | 1.15 | 0.96 | 2.00 | 2.40 |
| 3,000          | 1/2-20 UNF | 1.15 | 0.96 | 3.00 | 3.90 |
| 5,000          | 3/4-16 UNF | 1.15 | 0.96 | 3.00 | 3.90 |

**Specifications****Full Scale Output:**

3.0 mV/V

**Output Resistance:**

350 (±3.5) ohm

**Input Resistance:**

430 (± 60) ohm

**Material/Finish:**

Stainless steel

**Temperature:**

Compensated range

14 °F to 104 °F (-10 °C to 40 °C)

Operating range

0 °F to 150 °F (-18 °C to 65 °C)

**Seal Type:**

Environmentally sealed, IP67

**Safe Overload:**

150% full scale

**Rated Excitation:**

5 to 10 VDC (15 V maximum)

**Combined Error:**

0.03% full scale

**Insulation Resistance:**

5,000 megohm

**Cable Length:**

20 ft

**Cable Diameter:**

0.190 in polyurethane jacket

**Cable Color Code:**

Red +Excitation

Black -Excitation

Green +Signal

White -Signal

**Warranty:**

Two-year limited

**Approvals:**

NTEP 03-007

FM

# RL20001I

Alloy Steel, Environmentally Sealed, NTEP Certified Single Cell 1:5,000 III/1:10,000 IIIL, IP67

LOAD CELLS / WEIGH MODULES



Picture is a representation of actual product.

### Approvals



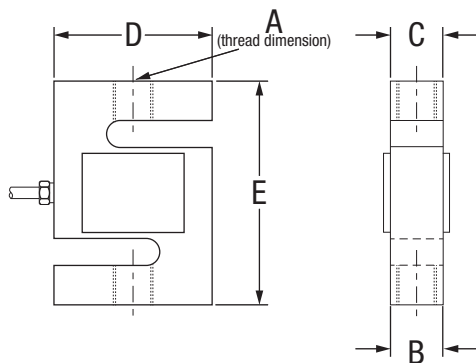
### Order Information

| Load Rating  | Part # | Est. Weight | Price    |
|--|--------|-------------|----------|
| 250 lb   | 21402  | 2 lb        | \$290.00 |
| 500 lb   | 21403  | 2 lb        | \$290.00 |
| 750 lb   | 21404  | 2 lb        | \$290.00 |
| 1,000 lb   | 21405  | 2 lb        | \$290.00 |
| 1,500 lb   | 21406  | 2 lb        | \$290.00 |
| 2,000 lb   | 21407  | 3 lb        | \$290.00 |
| 2,500 lb   | 21408  | 4 lb        | \$290.00 |
| 3,000 lb   | 21409  | 3 lb        | \$334.00 |
| 5,000 lb   | 21410  | 4 lb        | \$466.00 |
| 10,000 lb  | 21411  | 5 lb        | \$466.00 |
| 15,000 lb  | 21412  | 7 lb        | \$588.00 |
| 20,000 lb  | 21413  | 16 lb       | \$927.00 |
| <b>Conduit Adapter Kit* (must be factory installed to maintain warranty)</b> |        |             |          |
| 3/8-24 nipple  | 31533* | 1 lb        | \$37.00  |
| 3/8-24 to 1/4-18 NPT   | 31534* | 1 lb        | \$37.00  |

\*PN 31533 and PN 31534 must be installed together to form the Conduit Adapter Kit

### Dimensions

| Rated Capacity | A            | B    | C    | D    | E    |
|----------------|--------------|------|------|------|------|
| lb/in          |              |      |      |      |      |
| 250            | 3/8-24 UNF   | 0.75 | 0.50 | 2.00 | 3.00 |
| 500 to 2,000   | 1/2-20 UNF   | 1.00 | 0.75 | 2.00 | 3.00 |
| 2,500 to 3,000 | 1/2-20 UNF   | 1.25 | 1.00 | 2.00 | 3.00 |
| 5,000          | 3/4-16 UNF   | 1.25 | 1.00 | 3.00 | 4.25 |
| 10,000         | 3/4-16 UNF   | 1.25 | 1.00 | 3.50 | 4.75 |
| 15,000         | 1-14 UNS     | 1.50 | 1.25 | 4.00 | 5.50 |
| 20,000         | 1 1/4-12 UNF | 2.25 | 2.00 | 5.00 | 7.00 |



### Interchangeable Products

VPG® CELTRON  
**STC**  
 VPG® SENSORTRONICS®  
**60001**

### Weigh Module Available

RICE LAKE WEIGHING SYSTEMS  
**ITCM**  
**Isolated Tension Cell**  
**Mount**

### Specifications

- Full Scale Output:**  
3.0 mV/V
- Output Resistance:**  
350 (± 3) ohm
- Input Resistance:**  
385 (± 5) ohm
- Material/Finish:**  
High-alloy steel, nickel plated
- Temperature:**  
Compensated range  
14 °F to 104 °F (-10 °C to 40 °C)  
Operating range  
0 °F to 150 °F (-18 °C to 65 °C)
- Seal Type:**  
Environmentally sealed, IP67
- Safe Overload:**  
150% full scale
- Rated Excitation:**  
5 to 10 VAC/DC (15 V maximum)
- Combined Error:**  
0.02% full scale
- Insulation Resistance:**  
5,000 megohm
- Cable Length:**  
20 ft
- Cable Diameter:**  
0.200 in polyurethane jacket
- Cable Color Code:**  
Red +Excitation  
Black -Excitation  
Green +Signal  
White -Signal
- Warranty:**  
Two-year limited
- Approvals:**  
cFMus  
NTEP 91-046



Picture is a representation of actual product.

### Approvals

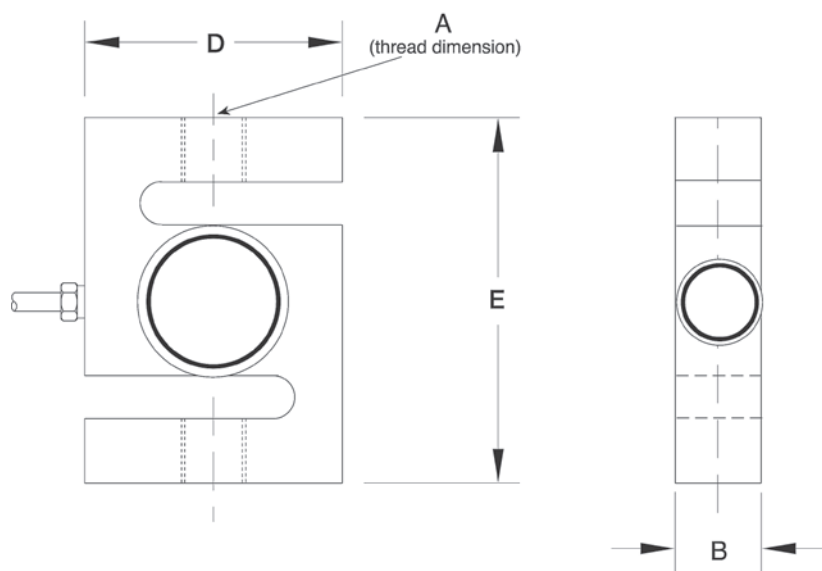


### Order Information

| Load Rating               | Part # | Est. Weight | Price      |
|---------------------------|--------|-------------|------------|
| <b>NTEP Certified</b>     |        |             |            |
| 500 lb                    | 46469  | 2 lb        | \$900.00   |
| 750 lb                    | 46470  | 2 lb        | \$900.00   |
| 1,000 lb                  | 46471  | 2 lb        | \$900.00   |
| 1,500 lb                  | 46472  | 2 lb        | \$900.00   |
| 2,000 lb                  | 46473  | 2 lb        | \$900.00   |
| 2,500 lb                  | 46474  | 2 lb        | \$900.00   |
| 3,000 lb                  | 46475  | 2 lb        | \$900.00   |
| 5,000 lb                  | 46476  | 5 lb        | \$1,205.00 |
| <b>Non-NTEP Certified</b> |        |             |            |
| 10,000 lb                 | 36292  | 5 lb        | \$1,205.00 |

### Dimensions

| Rated Capacity  | A          | B    | D    | E    |
|-----------------|------------|------|------|------|
| lb/in           |            |      |      |      |
| 500 to 3,000    | 1/2-20 UNF | 1.00 | 2.00 | 3.00 |
| 5,000 to 10,000 | 3/4-16 UNF | 1.00 | 3.50 | 4.75 |



### Interchangeable Products

VPG® SENSORTRONICS®  
**60063**

### Weigh Module Available

RICE LAKE WEIGHING SYSTEMS  
**ITCM HE Isolated  
Tension Cell Mount**

### Specifications

**Full Scale Output:**  
2.0 mV/V

**Bridge Resistance:**  
350 ohm, nominal

**Material/Finish:**  
Stainless steel

**Temperature:**  
Compensated range  
14 °F to 104 °F (-10 °C to 40 °C)  
Operating range  
0 °F to 150 °F (-18 °C to 65 °C)

**Seal Type:**  
Welded-seal, IP68

**Safe Overload:**  
150% full scale

**Rated Excitation:**  
5 to 10 VDC (15 V maximum)

**Combined Error:**  
0.02% full scale

**Insulation Resistance:**  
5,000 megohm

**Cable Length:**  
20 ft

**Cable Diameter:**  
0.200 in polyurethane jacket

**Cable Color Code:**  
Red +Excitation  
Black -Excitation  
Green +Signal  
White -Signal

**Warranty:**  
Two-year limited

**Approvals:**  
cFMus  
NTEP 98-071

**RLETS**

Alloy Steel, Environmentally Sealed, OIML C3, IP67



Picture is a representation of actual product.

## Approvals

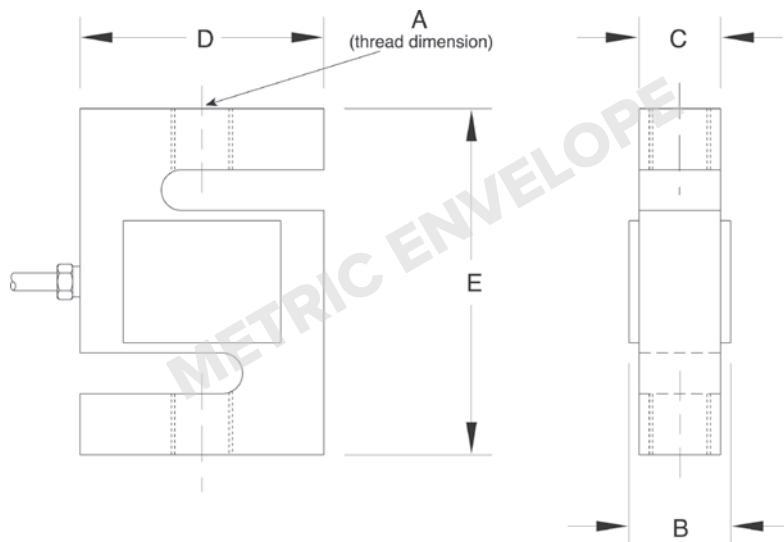


## Order Information

| Load Rating | Part # | Est. Weight | Price    |
|-------------|--------|-------------|----------|
| 250 kg      | 31254  | 2 lb        | \$312.00 |
| 500 kg      | 31255  | 2 lb        | \$312.00 |
| 1,000 kg    | 31256  | 2 lb        | \$312.00 |
| 2,500 kg    | 31257  | 3 lb        | \$487.00 |

## Dimensions

| Rated Capacity | A             | B    | C    | D    | E     |
|----------------|---------------|------|------|------|-------|
| kg/mm          |               |      |      |      |       |
| 250 to 1,000   | M12 × 1.75-6H | 25.4 | 19.1 | 50.8 | 76.0  |
| 2,500          | M20 × 1.5-6H  | 31.8 | 25.4 | 76.2 | 108.0 |



## Specifications

**Full Scale Output:**

3.0 mV/V ±0.25%

**Bridge Resistance:**

350 ohm, nominal

**Material/Finish:**

Alloy steel

**Temperature:**Operating range  
0 °F to 150 °F (-18 °C to 65 °C)**Seal Type:**

Environmentally sealed, IP67

**Safe Overload:**

150% full scale

**Rated Excitation:**

5 to 10 VAC/DC (15V maximum)

**Combined Error:**

0.02% full scale

**Insulation Resistance:**

5,000 megohm

**Cable Length:**

6 m

**Cable Diameter:**

0.200 in polyurethane jacket

**Cable Color Code:**Red +Excitation  
Black -Excitation  
Green +Signal  
White -Signal**Warranty:**

Two-year limited

**Approvals:**cFMus  
OIML R60/1991-GB-95-09

**Specifications****Full Scale Output:**  
2.0 mV/V  $\pm 0.05\%$  current matched**Output Resistance:**  
350 ( $\pm 3$ ) ohm**Input Resistance:**  
400 ( $\pm 20$ ) ohm**Material/Finish:**  
Alloy steel, nickel plated**Temperature:**  
Compensated range  
-14 °F to 104 °F (-10° C to 40° C)  
Operating range  
0 °F to 150 °F (-18 °C to 65 °C)**Seal Type:**  
Environmentally sealed, IP67**Safe Overload:**  
150% full scale**Safe Sideload:**  
100% full scale**Rated Excitation:**  
10 VDC (15 V maximum)**Combined Error:**  
0.017% full scale**Insulation Resistance:**  
>5,000 megohm**Deflection:**  
0.2 to 0.4 mm**Cable Length:**  
5 m**Cable Color Code:**Green +Excitation  
Black -Excitation  
Red +Signal  
White -Signal**Warranty:**  
Two-year limited**Approvals:**  
OIML R60/2017-A-NL1-22.11

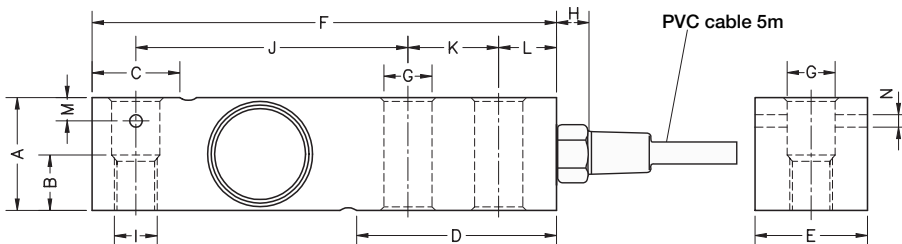
Picture is a representation of actual product.

**Approvals****Order Information**

| Load Rating | Part # | Est. Weight | Price    |
|-------------|--------|-------------|----------|
| 300 kg      | 211630 | 0.9 kg      | \$312.00 |
| 500 kg      | 211631 | 0.9 kg      | \$312.00 |
| 750 kg      | 211632 | 0.9 kg      | \$312.00 |
| 1,000 kg    | 211633 | 0.9 kg      | \$312.00 |
| 1,500 kg    | 211634 | 0.9 kg      | \$312.00 |
| 2,000 kg    | 211635 | 0.9 kg      | \$312.00 |

**Dimensions**

| Rated Capacity | A    | B    | C    | D    | E    | F     | G    | H    | I   | J    | K    | L    | M   | N   |
|----------------|------|------|------|------|------|-------|------|------|-----|------|------|------|-----|-----|
| kg/mm          |      |      |      |      |      |       |      |      |     |      |      |      |     |     |
| 300 to 2,000   | 31.5 | 15.0 | 34.6 | 56.0 | 31.5 | 130.0 | 13.5 | 18.0 | M12 | 76.2 | 25.4 | 15.8 | 6.5 | 3.5 |



SINGLE-ENDED BEAM  
**RL32022S**

Stainless Steel, Hemetically Sealed, OIML C3, IP69K

LOAD CELLS /  
WEIGH MODULES



Picture is a representation of actual product.

Approvals



Order Information

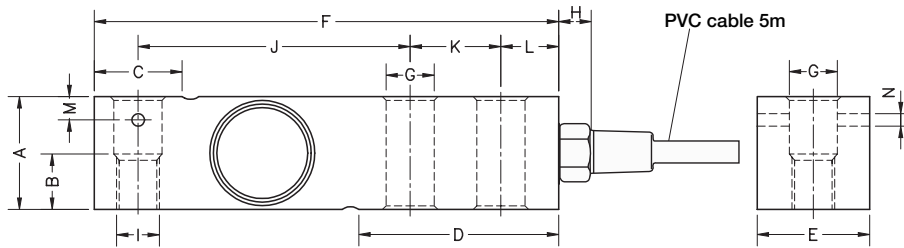
| Load Rating | Part # | Est. Weight | Price    |
|-------------|--------|-------------|----------|
| 300 kg      | 211636 | 0.9 kg      | \$350.00 |
| 500 kg      | 211637 | 0.9 kg      | \$350.00 |
| 750 kg      | 211638 | 0.9 kg      | \$350.00 |
| 1,000 kg    | 211639 | 0.9 kg      | \$350.00 |
| 1,500 kg    | 211640 | 0.9 kg      | \$350.00 |
| 2,000 kg    | 211641 | 0.9 kg      | \$350.00 |
| 3,000 kg    | 211642 | 2.2 kg      | \$445.00 |
| 5,000 kg    | 211643 | 2.2 kg      | \$445.00 |

Dimensions

| Rated Capacity | A    | B    | C    | D    | E    | F     | G    | H    | I   | J    | K    | L    | M   | N   |
|----------------|------|------|------|------|------|-------|------|------|-----|------|------|------|-----|-----|
| kg/mm          |      |      |      |      |      |       |      |      |     |      |      |      |     |     |
| 300 to 2,000   | 31.5 | 15.0 | 34.6 | 56.0 | 31.5 | 130.0 | 13.5 | 18.0 | M12 | 76.2 | 25.4 | 15.8 | 6.5 | 3.5 |
| 3,000 to 5,000 | 48.0 | -    | 37.0 | 76.0 | 41.5 | 171.5 | 20.5 | 18.0 | -   | 75.2 | 38.1 | 19.0 | -   | -   |

Specifications

- Full Scale Output:**  
2.0 mV/V ±0.05% current matched
- Output Resistance:**  
350 (± 3) ohm
- Input Resistance:**  
400 (± 20) ohm
- Material/Finish:**  
Stainless steel
- Temperature:**  
Compensated range  
-14 °F to 104 °F (-10° C to 40° C)  
Operating range  
0 °F to 150 °F (-18 °C to 65 °C)
- Seal Type:**  
Hermetically sealed, IP69K
- Safe Overload:**  
150% full scale
- Safe Sideload:**  
100% full scale
- Rated Excitation:**  
10 VDC (15 V maximum)
- Combined Error:**  
0.017% full scale
- Insulation Resistance:**  
>5,000 megohm
- Deflection:**  
0.2 to 0.4 mm
- Cable Length:**  
5 m
- Cable Color Code:**  
Green +Excitation  
Black -Excitation  
Red +Signal  
White -Signal
- Warranty:**  
Two-year limited
- Approvals:**  
OIML





Picture is a representation of actual product.

### Approvals



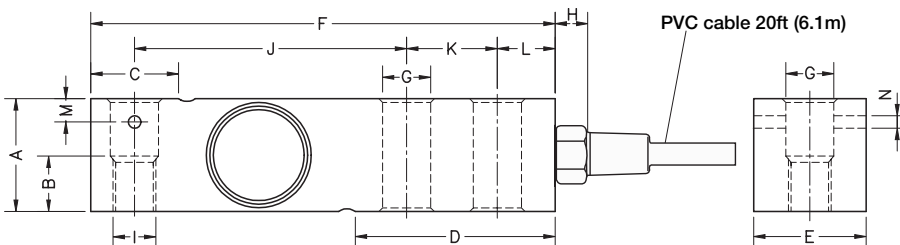
### Order Information

| Load Rating                  | Part # | Est. Weight | Price    |
|------------------------------|--------|-------------|----------|
| <b>NTEP Certified</b>        |        |             |          |
| 1,000 lb                     | 189152 | 2 lb        | \$312.00 |
| 1,500 lb                     | 191732 | 2 lb        | \$312.00 |
| 2,000 lb                     | 189153 | 2 lb        | \$312.00 |
| 2,500 lb                     | 189154 | 2 lb        | \$312.00 |
| 3,000 lb                     | 189155 | 5 lb        | \$312.00 |
| 4,000 lb                     | 189156 | 5 lb        | \$312.00 |
| 5,000 lb SE                  | 189157 | 5 lb        | \$312.00 |
| 5,000 lb LE                  | 189158 | 5 lb        | \$398.00 |
| 10,000 lb                    | 189159 | 5 lb        | \$398.00 |
| <b>Non-NTEP Certified</b>    |        |             |          |
| 250 lb                       | 189150 | 2 lb        | \$312.00 |
| 500 lb*                      | 189151 | 2 lb        | \$312.00 |
| 15,000 lb*                   | 189160 | 10 lb       | \$683.00 |
| 20,000 lb*                   | 189161 | 10 lb       | \$683.00 |
| <b>With Over Braid Cable</b> |        |             |          |
| 20,000 lb*                   | 197558 | 10 lb       | \$768.00 |

SE=small envelope; LE=large envelope  
\* Pending NTEP

### Dimensions

| Rated Capacity<br>lb/in | A    | B    | C    | D    | E    | F    | G    | H    | I          | J    | K    | L    | M    | N    |
|-------------------------|------|------|------|------|------|------|------|------|------------|------|------|------|------|------|
| 250 to 500              | 1.00 | 0.59 | 0.96 | 2.20 | 1.24 | 5.12 | 0.53 | 0.70 | 1/2-20 UNF | 3.00 | 1.00 | 0.62 | 0.25 | 0.13 |
| 1,000 to 5,000 SE       | 1.24 | 0.59 | 0.96 | 2.20 | 1.24 | 5.12 | 0.53 | 0.70 | 1/2-20 UNF | 3.00 | 1.00 | 0.62 | 0.25 | 0.13 |
| 5,000 LE to 10,000      | 1.50 | -    | 1.45 | 2.99 | 1.50 | 6.75 | 0.80 | 0.70 | 3/4-16 UNF | 3.75 | 1.50 | 0.75 | -    | -    |
| 15,000 to 20,000        | 2.00 | -    | -    | 4.00 | 2.00 | 8.75 | 1.06 | -    | 1-14 UNS   | 4.90 | 2.00 | 1.00 | -    | -    |



### Interchangeable Products

VPG® SENSORTRONICS®  
**65023A**  
VPG® CELTRON  
**SQB**

### Weigh Module Available

RICE LAKE WEIGHING SYSTEMS  
**RL50210TA**  
RICE LAKE WEIGHING SYSTEMS  
**RL1800 Series**

### Specifications

- Full Scale Output:** 3.0 mV/V ±0.05% current matched
- Output Resistance:** 350 (± 3) ohm
- Input Resistance:** 400 (± 20) ohm
- Material/Finish:** Alloy steel, nickel plated
- Temperature:** Compensated range -14 °F to 104 °F (-10 °C to 40 °C)  
Operating range 0 °F to 150 °F (-18 °C to 65 °C)
- Seal Type:** Environmentally sealed, IP66
- Safe Overload:** 150% full scale
- Safe Sideload:** 100% full scale
- Rated Excitation:** 10 VDC (15 V maximum)
- Combined Error:** 0.017% full scale
- Insulation Resistance:** >5,000 megohm
- Deflection:** 0.2 to 0.4 mm
- Cable Length:** 20 ft
- Cable Color Code:** Red +Excitation  
Black -Excitation  
Green +Signal  
White -Signal
- Warranty:** Two-year limited
- Approvals:** cFMus  
NTEP 18-106

# RL32018 Painted

Alloy Steel, Environmentally Sealed, NTEP Certified 1:5,000 Class III Multiple Cell, IP66

LOAD CELLS / WEIGH MODULES



Picture is a representation of actual product.

### Approvals



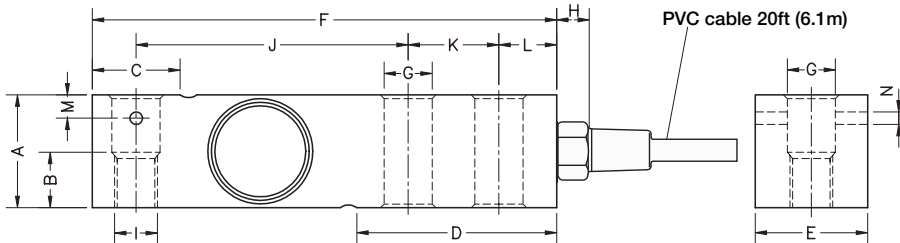
### Order Information

| Load Rating               | Part # | Est. Weight | Price    |
|---------------------------|--------|-------------|----------|
| <b>NTEP Certified</b>     |        |             |          |
| 1,000 lb                  | 207842 | 2 lb        | \$344.00 |
| 1,500 lb                  | 207843 | 2 lb        | \$344.00 |
| 2,000 lb                  | 207844 | 2 lb        | \$344.00 |
| 2,500 lb                  | 207845 | 2 lb        | \$344.00 |
| 3,000 lb                  | 207846 | 5 lb        | \$344.00 |
| 4,000 lb                  | 207847 | 5 lb        | \$344.00 |
| 5,000 lb SE               | 207848 | 5 lb        | \$344.00 |
| 5,000 lb LE               | 207850 | 5 lb        | \$434.00 |
| 10,000 lb                 | 207851 | 5 lb        | \$434.00 |
| <b>Non-NTEP Certified</b> |        |             |          |
| 15,000 lb                 | 207852 | 10 lb       | \$715.00 |
| 20,000 lb                 | 207853 | 10 lb       | \$715.00 |

SE=small envelope; LE=large envelope

### Dimensions

| Rated Capacity     | A    | B    | C    | D    | E    | F    | G    | H    | I          | J    | K    | L    | M    | N    |
|--------------------|------|------|------|------|------|------|------|------|------------|------|------|------|------|------|
| lb/in              |      |      |      |      |      |      |      |      |            |      |      |      |      |      |
| 1,000 to 5,000 SE  | 1.24 | 0.59 | 0.96 | 2.20 | 1.24 | 5.12 | 0.53 | 0.70 | 1/2-20 UNF | 3.00 | 1.00 | 0.62 | 0.25 | 0.13 |
| 5,000 LE to 10,000 | 1.50 | —    | 1.45 | 2.99 | 1.50 | 6.75 | 0.80 | 0.70 | 3/4-16 UNF | 3.75 | 1.50 | 0.75 | —    | —    |
| 15,000 to 20,000   | 2.00 | —    | —    | 4.00 | 2.00 | 8.75 | 1.06 | —    | 1-14 UNS   | 4.90 | 2.00 | 1.00 | —    | —    |



### Interchangeable Products

VPG® SENSORTRONICS®  
**65023A**  
 VPG® CELTRON  
**SQB**

### Weigh Module Available

RICE LAKE WEIGHING SYSTEMS  
**RL50210TA**  
 RICE LAKE WEIGHING SYSTEMS  
**RL1800 Series**

### Specifications

- Full Scale Output:**  
3.0 mV/V ±0.05% current matched
- Output Resistance:**  
350 (± 3) ohm
- Input Resistance:**  
400 (± 20) ohm
- Material/Finish:**  
Alloy steel, nickel plated, painted
- Temperature:**  
Compensated range  
-14 °F to 104 °F (-10 °C to 40 °C)  
Operating range  
0 °F to 150 °F (-18 °C to 65 °C)
- Seal Type:**  
Environmentally sealed, IP66
- Safe Overload:**  
150% full scale
- Safe Sideload:**  
100% full scale
- Rated Excitation:**  
10 VDC (15 V maximum)
- Combined Error:**  
0.017% full scale
- Insulation Resistance:**  
>5,000 megohm
- Deflection:**  
0.2 to 0.4 mm
- Cable Length:**  
20 ft
- Cable Color Code:**  
Red +Excitation  
Black -Excitation  
Green +Signal  
White -Signal
- Warranty:**  
Two-year limited
- Approvals:**  
cFMus  
NTEP 18-106





Picture is a representation of actual product.

**Approvals**



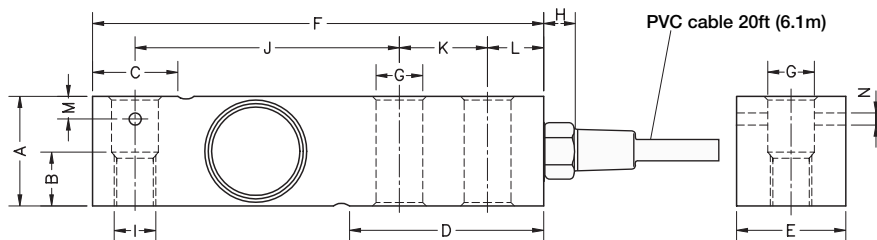
**Order Information**

| Load Rating               | Part #        | Est. Weight | Price    |
|---------------------------|---------------|-------------|----------|
| <b>NTEP Certified</b>     |               |             |          |
| 1,000 lb                  | <b>189164</b> | 3 lb        | \$344.00 |
| 2,000 lb                  | <b>189165</b> | 3 lb        | \$344.00 |
| 2,500 lb                  | <b>189166</b> | 3 lb        | \$344.00 |
| 4,000 lb                  | <b>189167</b> | 3 lb        | \$344.00 |
| 5,000 lb SE               | <b>189168</b> | 3 lb        | \$344.00 |
| 5,000 lb LE               | <b>189169</b> | 5 lb        | \$440.00 |
| 10,000 lb                 | <b>189170</b> | 5 lb        | \$440.00 |
| <b>Non-NTEP Certified</b> |               |             |          |
| 250 lb                    | <b>189162</b> | 3 lb        | \$344.00 |
| 500 lb*                   | <b>189163</b> | 3 lb        | \$344.00 |
| 15,000 lb*                | <b>189171</b> | 10 lb       | \$736.00 |
| 20,000 lb*                | <b>189172</b> | 10 lb       | \$736.00 |

SE=small envelope; LE=large envelope  
\*Pending NTEP

**Dimensions**

| Rated Capacity     | A    | B    | C    | D    | E    | F    | G    | H    | I          | J    | K    | L    | M    | N    |
|--------------------|------|------|------|------|------|------|------|------|------------|------|------|------|------|------|
| lb/in              |      |      |      |      |      |      |      |      |            |      |      |      |      |      |
| 250 to 500         | 1.00 | 0.59 | 0.96 | 2.20 | 1.24 | 5.12 | 0.53 | 0.70 | 1/2-20 UNF | 3.00 | 1.00 | 0.62 | 0.25 | 0.13 |
| 1,000 to 5,000 SE  | 1.24 | 0.59 | 0.96 | 2.20 | 1.24 | 5.12 | 0.53 | 0.70 | 1/2-20 UNF | 3.00 | 1.00 | 0.62 | 0.25 | 0.13 |
| 5,000 LE to 10,000 | 1.50 | -    | 1.45 | 2.99 | 1.50 | 6.75 | 0.80 | 0.70 | 3/4-16 UNF | 3.75 | 1.50 | 0.75 | -    | -    |
| 15,000 to 20,000   | 2.00 | -    | -    | 4.00 | 2.00 | 8.75 | 1.06 | -    | 1-14 UNS   | 4.90 | 2.00 | 1.00 | -    | -    |



**Interchangeable Products**

- RICE LAKE WEIGHING SYSTEMS  
**RL35023S**
- VPG® SENSORTRONICS®  
**65023S**
- VPG SENSORTRONICS  
**65023SS**
- VPG® CELTRON  
**SQB-HSS**

**Weigh Module Available**

- RICE LAKE WEIGHING SYSTEMS  
**RL50210TA**
- RICE LAKE WEIGHING SYSTEMS  
**RL1800 Series**

**Specifications**

- Full Scale Output:**  
3.0 mV/V ±0.05% current matched
- Output Resistance:**  
350 (± 3) ohm
- Input Resistance:**  
400 (± 20) ohm
- Material/Finish:**  
Stainless steel
- Temperature:**  
Compensated range  
14 °F to 104 °F (-10 °C to 40 °C)  
Operating range  
0 °F to 150 °F (-18 °C to 65 °C)
- Seal Type:**  
Environmentally sealed, IP66
- Safe Overload:**  
150% full scale
- Rated Excitation:**  
10 VDC (15 V maximum)
- Combined Error:**  
0.017% full scale
- Insulation Resistance:**  
>5,000 megohm
- Deflection:**  
0.2 to 0.4 mm
- Cable Length:**  
20 ft
- Cable Color Code:**  
Red +Excitation  
Black -Excitation  
Green +Signal  
White -Signal
- Warranty:**  
Two-year limited
- Approvals:**  
cFMus  
NTEP 18-106

# SINGLE-ENDED BEAM RL32018S-P

Stainless Steel, Hermetically Sealed, IP69K

LOAD CELLS /  
WEIGH MODULES



Picture is a representation of actual product.

## Approvals



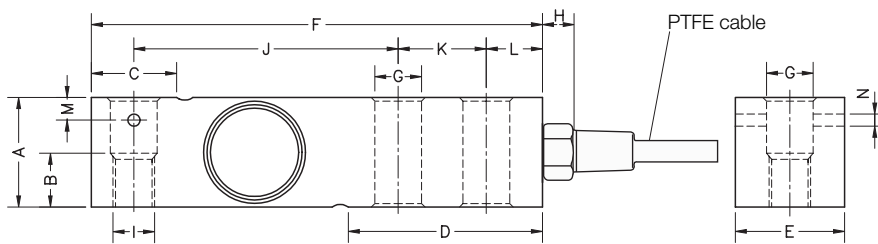
## Order Information

| Load Rating | Part # | Est. Weight | Price    |
|-------------|--------|-------------|----------|
| 500 lb      | 189175 | 3 lb        | \$429.00 |
| 1,000 lb    | 190654 | 3 lb        | \$371.00 |
| 2,000 lb    | 190655 | 3 lb        | \$371.00 |
| 2,500 lb    | 190656 | 3 lb        | \$371.00 |
| 4,000 lb    | 190657 | 3 lb        | \$371.00 |
| 5,000 lb SE | 190658 | 3 lb        | \$371.00 |
| 5,000 lb LE | 190659 | 5 lb        | \$418.00 |
| 10,000 lb   | 190660 | 5 lb        | \$418.00 |

SE=small envelope; LE=large envelope

## Dimensions

| Rated Capacity     | A    | B    | C    | D    | E    | F    | G    | H    | I          | J    | K    | L    | M    | N    |
|--------------------|------|------|------|------|------|------|------|------|------------|------|------|------|------|------|
| lb/in              |      |      |      |      |      |      |      |      |            |      |      |      |      |      |
| 500 to 5,000 SE    | 1.24 | 0.59 | 0.96 | 2.20 | 1.25 | 5.12 | 0.53 | 0.70 | 1/2-20 UNF | 3.00 | 1.00 | 0.62 | 0.25 | 0.13 |
| 5,000 LE to 10,000 | 1.50 | —    | 1.45 | 2.99 | 1.50 | 6.75 | 0.80 | 0.70 | 3/4-16 UNF | 3.75 | 1.50 | 0.75 | —    | —    |



## Interchangeable Products

RICE LAKE WEIGHING SYSTEMS

RL32018S-HE

VPG® SENSORTRONICS®

65083

VPG® CELTRON

SQB-HSS

## Weigh Module Available

RICE LAKE WEIGHING SYSTEMS

RL1800 Series

## Specifications

### Full Scale Output:

3.0 mV/V ±0.05% current matched

### Output Resistance:

350 (± 3) ohm

### Input Resistance:

400 (± 20) ohm

### Material/Finish:

Stainless steel

### Temperature:

Compensated range

-14 °F to 104 °F (-10 °C to 40 °C)

Operating range

0 °F to 150 °F (-18 °C to 65 °C)

### Seal Type:

Hermetically sealed, IP69K

### Safe Overload:

150% full scale

### Safe Sideload:

100% full scale

### Rated Excitation:

10 VDC (15 V maximum)

### Combined Error:

0.017% full scale

### Insulation Resistance:

>5,000 megohm

### Deflection:

0.2 to 0.4 mm

### Cable Length:

20 ft PTFE cable

### Cable Color Code:

Red +Excitation

Black -Excitation

Green +Signal

White -Signal

### Warranty:

Two-year limited

### Approvals:

cFMus

SINGLE-ENDED BEAM  
**RL32018S-HE**

Stainless Steel, Hermetically Sealed, NTEP Certified 1:5,000 Class III Multiple Cell, IP69K

LOAD CELLS /  
WEIGH MODULES



Picture is a representation of actual product.

**Approvals**

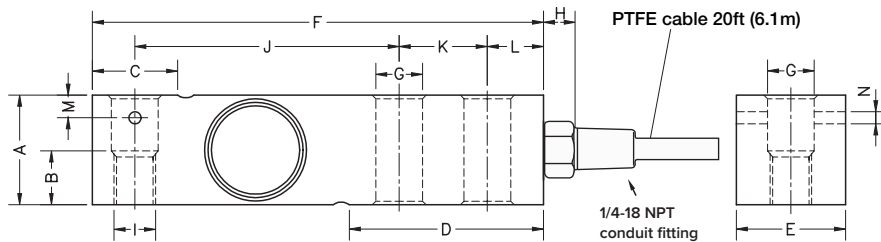


**Order Information**

| Load Rating | Part #        | Est. Weight | Price    |
|-------------|---------------|-------------|----------|
| 1,000 lb    | <b>189176</b> | 3 lb        | \$429.00 |
| 2,000 lb    | <b>189178</b> | 3 lb        | \$429.00 |
| 2,500 lb    | <b>189179</b> | 3 lb        | \$429.00 |
| 4,000 lb    | <b>189181</b> | 3 lb        | \$429.00 |
| 4,000 lb    | <b>208667</b> | 3 lb        | \$429.00 |
| 5,000 lb    | <b>189182</b> | 5 lb        | \$477.00 |
| 5000 lbSE   | <b>208669</b> | 5 lb        | \$429.00 |
| 10,000 lb   | <b>189183</b> | 5 lb        | \$477.00 |

**Dimensions**

| Rated Capacity  | A    | B    | C    | D    | E    | F    | G    | H    | I          | J    | K    | L    | M    | N    |
|-----------------|------|------|------|------|------|------|------|------|------------|------|------|------|------|------|
| 1,000 to 4,000  | 1.24 | 0.59 | 0.96 | 2.20 | 1.24 | 5.12 | 0.53 | 0.70 | 1/2-20 UNF | 3.00 | 1.00 | 0.62 | 0.25 | 0.13 |
| 5,000 to 10,000 | 1.50 | 0.75 | 1.45 | 2.99 | 1.50 | 6.75 | 0.80 | 0.70 | 3/4-16 UNF | 3.75 | 1.50 | 0.75 | -    | -    |



**Interchangeable Products**

- RICE LAKE WEIGHING SYSTEMS
- RL32018S-P** (non-NTEP)
- VPG® SENSORTRONICS®
- 65083**
- VPG® CELTRON
- SQB-HSS**

**Weigh Module Available**

- RICE LAKE WEIGHING SYSTEMS
- RL1800 Series**

**Specifications**

- Full Scale Output:** 3.0 mV/V ±0.05% current matched
- Output Resistance:** 350 (± 3) ohm
- Input Resistance:** 400 (± 20) ohm
- Material/Finish:** Stainless steel
- Temperature:** Compensated range 14 °F to 104 °F (-10 °C to 40 °C)  
Operating range 0 °F to 200 °F (-18 °C to 93 °C)
- Seal Type:** Hermetically sealed, IP69K
- Safe Overload:** 150% full scale
- Safe Sideload:** 100% full scale
- Rated Excitation:** 5 to 10 VDC (15 V maximum)
- Combined Error:** 0.017% full scale
- Insulation Resistance:** >5,000 megohm
- Cable Length:** 20 ft PTFE cable
- Cable Color Code:** Red +Excitation  
Black -Excitation  
Green +Signal  
White -Signal
- Warranty:** Two-year limited
- Approvals:** cFMus  
NTEP 18-106

# RL32019S-HE

Stainless Steel, Hermetically Sealed, NTEP Certified 1:5,000 Class III Multiple Cell, IP69K

LOAD CELLS / WEIGH MODULES



Picture is a representation of actual product.

### Approvals

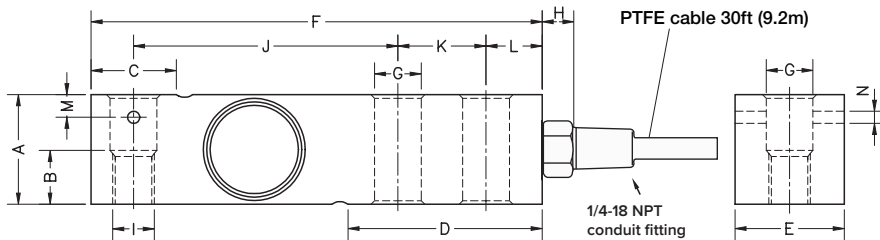


### Order Information

| Load Rating | Part # | Est. Weight | Price    |
|-------------|--------|-------------|----------|
| 1,000 lb    | 191629 | 4 lb        | \$482.00 |
| 2,500 lb    | 191630 | 4 lb        | \$482.00 |
| 4,000 lb    | 191631 | 4 lb        | \$482.00 |
| 4,000 lb    | 208668 | 4 lb        | \$482.00 |
| 5,000 lb    | 191632 | 6 lb        | \$535.00 |
| 10,000 lb   | 191633 | 6 lb        | \$535.00 |

### Dimensions

| Rated Capacity  | A    | B    | C    | D    | E    | F    | G    | H    | I          | J    | K    | L    | M    | N    |
|-----------------|------|------|------|------|------|------|------|------|------------|------|------|------|------|------|
| 1,000 to 4,000  | 1.24 | 0.59 | 0.96 | 2.20 | 1.24 | 5.12 | 0.53 | 0.70 | 1/2-20 UNF | 3.00 | 1.00 | 0.62 | 0.25 | 0.13 |
| 5,000 to 10,000 | 1.50 | 0.75 | 1.45 | 2.99 | 1.50 | 6.75 | 0.80 | 0.70 | 3/4-16 UNF | 3.75 | 1.50 | 0.75 | —    | —    |



### Interchangeable Products

RICE LAKE WEIGHING SYSTEMS  
**RL35082**  
 VPG® SENSORTRONICS®  
**65083S** (20 ft cable)

### Specifications

- Full Scale Output:**  
2.0 mV/V ±0.05% current matched
- Output Resistance:**  
350 (± 3) ohm
- Input Resistance:**  
400 (± 20) ohm
- Material/Finish:**  
Stainless steel
- Temperature:**  
Compensated range  
14 °F to 104 °F (-10 °C to 40 °C)  
Operating range  
0 °F to 200 °F (-18 °C to 93 °C)
- Seal Type:**  
Hermetically sealed, IP69K
- Safe Overload:**  
150% full scale
- Rated Excitation:**  
5 to 10 VDC (15 V maximum)
- Combined Error:**  
0.017% full scale
- Insulation Resistance:**  
>5,000 megohm
- Deflection:**  
0.2 to 0.4 mm
- Cable Length:**  
30 ft PTFE cable
- Cable Color Code:**  
Red +Excitation  
Black -Excitation  
Green +Signal  
White -Signal
- Warranty:**  
Two-year limited
- Approvals:**  
cFmus  
NTEP 18-106

SINGLE-ENDED BEAM  
**RL32218S-HE**

Stainless Steel, Hermetically Sealed, NTEP Certified 1:5,000 Class III Multiple Cell, IP69K



Picture is a representation of actual product.

**Approvals**

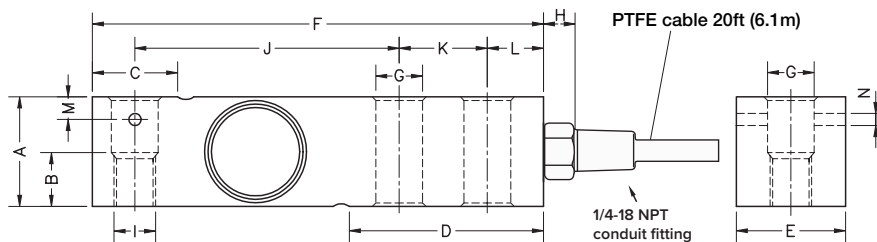


**Order Information**

| Load Rating | Part # | Est. Weight | Price    |
|-------------|--------|-------------|----------|
| 1,000 lb    | 191634 | 3 lb        | \$429.00 |
| 2,500 lb    | 191635 | 3 lb        | \$429.00 |
| 4,000 lb    | 191636 | 3 lb        | \$429.00 |
| 4,000 lb    | 208669 | 3 lb        | \$429.00 |
| 5,000 lb    | 191637 | 5 lb        | \$477.00 |
| 10,000 lb   | 191638 | 5 lb        | \$477.00 |

**Dimensions**

| Rated Capacity       | A    | B    | C    | D    | E    | F    | G    | H    | I          | J    | K    | L    | M    | N    |
|----------------------|------|------|------|------|------|------|------|------|------------|------|------|------|------|------|
| 1,000 to 4,000 lb/in | 1.24 | 0.59 | 0.96 | 2.20 | 1.24 | 5.12 | 0.53 | 0.70 | 1/2-20 UNF | 3.00 | 1.00 | 0.62 | 0.25 | 0.13 |
| 5,000 to 10,000      | 1.50 | 0.75 | 1.45 | 2.99 | 1.50 | 6.75 | 0.80 | 0.70 | 3/4-16 UNF | 3.75 | 1.50 | 0.75 | -    | -    |



**Interchangeable Products**

RICE LAKE WEIGHING SYSTEMS  
**RL35082**  
 VPG® SENSORTRONICS®  
**65083S**

**Weigh Module Available**

RICE LAKE WEIGHING SYSTEMS  
**RL50210TA**  
 RICE LAKE WEIGHING SYSTEMS  
**RL1800 Series**

**Specifications**

- Full Scale Output:**  
2.0 mV/V ±0.05% current matched
- Output Resistance:**  
350 (± 3) ohm
- Input Resistance:**  
400 (± 20) ohm
- Material/Finish:**  
Stainless steel
- Temperature:**  
Compensated range  
14 °F to 104 °F (-10 °C to 40 °C)  
Operating range  
0 °F to 200 °F (-18 °C to 93 °C)
- Seal Type:**  
Hermetically sealed, IP69K
- Safe Overload:**  
150% full scale
- Rated Excitation:**  
5 to 10 VDC (15 V maximum)
- Combined Error:**  
0.017% full scale
- Insulation Resistance:**  
>5,000 megohm
- Cable Length:**  
20 ft PTFE cable
- Cable Color Code:**  
Red +Excitation  
Black -Excitation  
Green +Signal  
White -Signal
- Warranty:**  
Two-year limited
- Approvals:**  
cFMus  
NTEP 18-106

LOAD CELLS / WEIGH MODULES

SINGLE-ENDED BEAM  
**RL9018SS**

Stainless Steel, Hermetically Sealed, NTEP Certified 1:4,000S/1:5,000M, OIML C3, IP68/IP69K

LOAD CELLS /  
 WEIGH MODULES



Picture is a representation of actual product.

Approvals

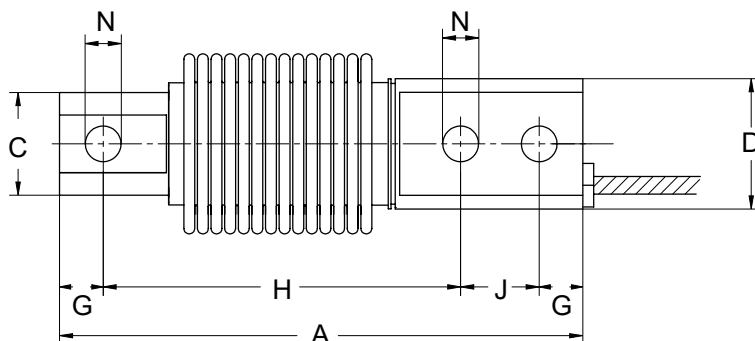
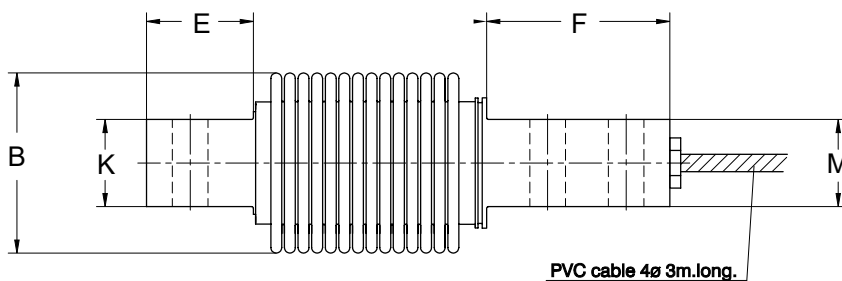


Order Information

| Load Rating           | Part #        | Est. Weight | Price    |
|-----------------------|---------------|-------------|----------|
| <b>NTEP Certified</b> |               |             |          |
| 5 kg                  | <b>188691</b> | 2 lb        | \$524.00 |
| 10 kg                 | <b>188692</b> | 2 lb        | \$524.00 |
| 20 kg                 | <b>188693</b> | 2 lb        | \$524.00 |
| 30 kg                 | <b>188694</b> | 2 lb        | \$524.00 |
| 50 kg                 | <b>188702</b> | 2 lb        | \$524.00 |
| 75 kg                 | <b>188695</b> | 2 lb        | \$524.00 |
| 100 kg                | <b>188696</b> | 2 lb        | \$524.00 |
| 200 kg                | <b>188697</b> | 2 lb        | \$524.00 |
| 250 kg                | <b>188698</b> | 2 lb        | \$524.00 |
| 300 kg                | <b>188699</b> | 2 lb        | \$524.00 |
| 500 kg                | <b>188700</b> | 2 lb        | \$524.00 |

Dimensions

| Rated Capacity | A     | B    | C    | D    | E    | F    | G    | H    | J    | K    | M    | N   |
|----------------|-------|------|------|------|------|------|------|------|------|------|------|-----|
| kg/mm          |       |      |      |      |      |      |      |      |      |      |      |     |
| 5 to 500       | 120.0 | 41.5 | 23.5 | 30.0 | 24.5 | 42.0 | 10.0 | 82.0 | 18.0 | 20.0 | 20.0 | 8.2 |



Interchangeable Products

RICE LAKE WEIGHING SYSTEMS  
**RLHBB**  
 VPG® TEDEA®  
**355**

Specifications

- Full Scale Output:** 2.0 mV/V ±10% current matched
- Output Resistance:** 350 (± 3) ohm
- Input Resistance:** 400 (± 20) ohm
- Material/Finish:** Stainless steel
- Temperature:** Compensated range 14 °F to 104 °F (-10 °C to 40 °C)  
Operating range 0 °F to 150 °F (-18 °C to 65 °C)
- Seal Type:** Hermetically sealed, IP68/IP69K
- Safe Overload:** 150% full scale
- Rated Excitation:** 5 to 10 VDC (15 V maximum)
- Combined Error:** 0.017% full scale
- Insulation Resistance:** >5,000 megohm
- Deflection:** 0.2 to 0.4 mm
- Cable Length:** 3 m
- Cable Material:** PVC
- Cable Color Code:** Blue +Excitation  
Black -Excitation  
White +Signal  
Red -Signal  
Green +Sense  
Yellow -Sense
- Warranty:** Two-year limited
- Approvals:** cFmus  
NTEP 18-107  
OIML R60/2017-A-NL1-19.27



Picture is a representation of actual product.

**Approvals**



**Order Information**

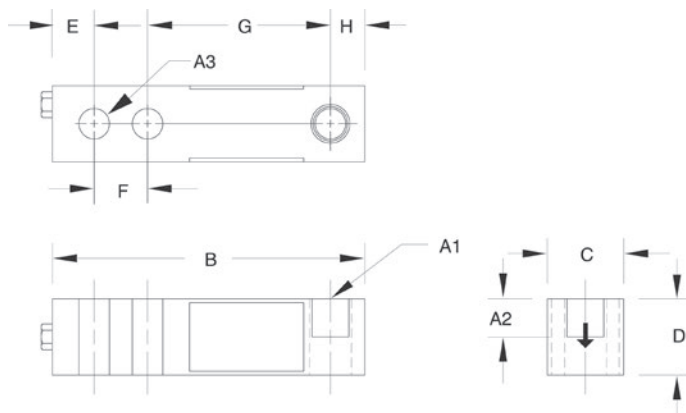
| Load Rating  | Part # | Est. Weight | Price    |
|--|--------|-------------|----------|
| <b>NTEP Certified</b>  |        |             |          |
| 1,000 lb   | 21491  | 3 lb        | \$312.00 |
| 2,000 lb   | 21493  | 3 lb        | \$312.00 |
| 2,500 lb   | 21495  | 3 lb        | \$312.00 |
| 3,000 lb   | 21497  | 3 lb        | \$312.00 |
| 4,000 lb   | 21498  | 3 lb        | \$312.00 |
| 5,000 lb SE  | 21500  | 3 lb        | \$312.00 |
| 5,000 lb LE  | 21501  | 5 lb        | \$398.00 |
| 10,000 lb  | 21503  | 5 lb        | \$398.00 |
| <b>Non-NTEP Certified</b>  |        |             |          |
| 250 lb   | 17341  | 3 lb        | \$312.00 |
| 500 lb   | 17342  | 3 lb        | \$312.00 |
| 20,000 lb  | 17109  | 10 lb       | \$684.00 |
| <b>Conduit Adapter Kit* (must be factory installed to maintain warranty)</b> |        |             |          |
| 3/8-24 nipple  | 31533  | 1 lb        | \$37.00  |
| 3/8-24 to 1/4-18 NPT   | 31534* | 1 lb        | \$37.00  |

SE=small envelope; LE=large envelope

\*PN 31533 and PN 31534 must be installed together to form the Conduit Adapter Kit

**Dimensions**

| Rated Capacity     | A1         | A2   | A3   | B    | C    | D    | E    | F    | G    | H    |
|--------------------|------------|------|------|------|------|------|------|------|------|------|
| lb/in              |            |      |      |      |      |      |      |      |      |      |
| 250 to 5,000 SE    | 1/2-20 UNF | 0.60 | 0.53 | 5.12 | 1.25 | 1.25 | 0.62 | 1.00 | 3.00 | 0.50 |
| 5,000 LE to 10,000 | 3/4-16 UNF | 0.75 | 0.78 | 6.75 | 1.50 | 1.50 | 0.75 | 1.50 | 3.75 | 0.75 |
| 20,000             | 1-14 UNF   | 1.00 | 1.03 | 8.75 | 2.00 | 2.00 | 1.00 | 2.00 | 4.75 | 1.00 |



**Interchangeable Products**

- VPG® REVERE  
**5123**
- VPG® TEDEA-HUNTLEIGH  
**3411**
- ARTECH®  
**30310**

**Weigh Module Available**

- RICE LAKE WEIGHING SYSTEMS  
**RL50210TA**
- RICE LAKE WEIGHING SYSTEMS  
**RL1800 Series**

**Specifications**

- Full Scale Output:**  
3.0 mV/V
- Bridge Resistance:**  
350 ohm, nominal
- Material/Finish:**  
High-alloy steel, nickel plated
- Temperature:**  
Compensated range  
14 °F to 104 °F (-10 °C to 40 °C)  
Operating range  
0 °F to 150 °F (-18 °C to 65 °C)
- Seal Type:**  
Environmentally sealed, IP67
- Safe Overload:**  
150% full scale
- Safe Sideload:**  
100% full scale
- Rated Excitation:**  
5 to 10 VAC/DC (15V maximum)
- Combined Error:**  
0.02% full scale
- Insulation Resistance:**  
5,000 megohm
- Deflection at Capacity:**  
250 to 1,000 lb: 0.013 in  
2,000 to 3,000 lb: 0.015 in  
4,000 to 5,000 lb: 0.025 in  
10,000 lb: 0.032 in  
20,000 lb: 0.038 in
- Cable Length:**  
20 ft
- Cable Diameter:**  
0.200 in polyurethane jacket
- Cable Color Code:**  
Red +Excitation  
Black -Excitation  
Green +Signal  
White -Signal
- Warranty:**  
Two-year limited
- Approvals:**  
cFMus  
NTEP 98-043

# RL30002 Thru Hole

Alloy Steel, Environmentally Sealed, NTEP Certified 1:5,000 IIIIL Class III Multiple Cell, IP67

LOAD CELLS /  
WEIGH MODULES



Picture is a representation of actual product.

### Approvals



### Order Information

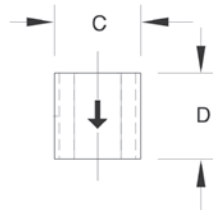
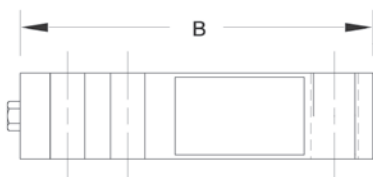
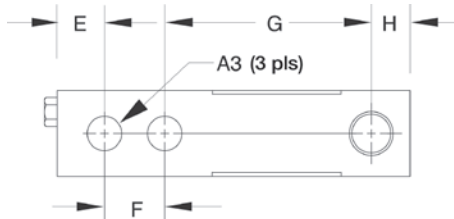
| Load Rating   | Part # | Est. Weight | Price    |
|---|--------|-------------|----------|
| <b>NTEP Certified</b>   |        |             |          |
| 1,000 lb  | 21521  | 3 lb        | \$312.00 |
| 2,000 lb  | 21522  | 3 lb        | \$312.00 |
| 2,500 lb  | 21523  | 3 lb        | \$312.00 |
| 4,000 lb  | 21524  | 3 lb        | \$312.00 |
| 5,000 lb SE   | 21525  | 3 lb        | \$312.00 |
| <b>Conduit Adapter Kit (must be factory installed to maintain warranty)</b> |        |             |          |
| 3/8-24 nipple   | 31533  | 1 lb        | \$37.00  |
| 3/8-24 to 1/4-18 NPT  | 31534* | 1 lb        | \$37.00  |

SE=small envelope

\*PN 31533 and PN 31534 must be installed together to form the Conduit Adapter Kit

### Dimensions

| Rated Capacity    | A3   | B    | C    | D    | E    | F    | G    | H    |
|-------------------|------|------|------|------|------|------|------|------|
| lb/in             |      |      |      |      |      |      |      |      |
| 1,000 to 5,000 SE | 0.53 | 5.12 | 1.25 | 1.25 | 0.62 | 1.00 | 3.00 | 0.50 |



### Interchangeable Products

VPG® TEDEA-HUNTLEIGH  
**3410**  
ARTECH®  
**30210**

### Specifications

**Full Scale Output:**  
3.0 mV/V

**Bridge Resistance:**  
350 ohm, nominal

**Material/Finish:**  
High-alloy steel, nickel plated

**Temperature:**  
Compensated range  
14 °F to 104 °F (-10 °C to 40 °C)  
Operating range  
0 °F to 150 °F (-18 °C to 65 °C)

**Seal Type:**  
Environmentally sealed, IP67

**Safe Overload:**  
150% full scale

**Safe Sideload:**  
100% full scale

**Rated Excitation:**  
5 to 10 VDC (15 V maximum)

**Combined Error:**  
0.02% full scale

**Insulation Resistance:**  
5,000 megohm

**Deflection at Capacity:**  
1,000 lb: 0.013 in  
2,000 to 3,000 lb: 0.015 in  
4,000 to 5,000 lb: 0.025 in

**Cable Length:**  
20 ft

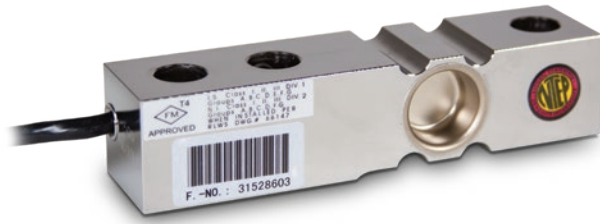
**Cable Diameter:**  
0.200 in polyurethane jacket

**Cable Color Code:**  
Red +Excitation  
Black -Excitation  
Green +Signal  
White -Signal

**Warranty:**  
Two-year limited

**Approvals:**  
cFMus  
NTEP 98-043





Picture is a representation of actual product.

### Approvals

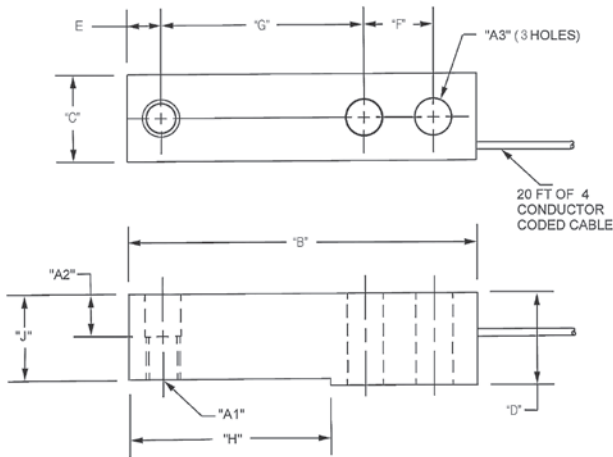


### Order Information

| Load Rating | Part # | Est. Weight | Price    |
|-------------|--------|-------------|----------|
| 500 lb      | 106038 | 4 lb        | \$371.00 |
| 5,000 lb    | 106042 | 4 lb        | \$350.00 |

### Dimensions

| Rated Capacity | A1         | A2   | A3   | C    | D    | B    | E    | F    | G    | H    | J     |
|----------------|------------|------|------|------|------|------|------|------|------|------|-------|
| lb/in          |            |      |      |      |      |      |      |      |      |      |       |
| 500 to 5,000   | 1/2-20 UNF | 0.62 | 0.53 | 1.21 | 1.19 | 5.12 | 0.50 | 1.00 | 3.00 | 2.85 | 1.120 |



### Interchangeable Products

- HBK®
- H35
- METTLER TOLEDO®
- 500 lb-8 ft cable
- TB601019-008
- 1,000 lb-20 ft cable
- TB601016-020
- 2,500 lb-8 ft cable
- TB601016-008

### Specifications

- Full Scale Output:**  
3.0 mV/V
- Output Resistance:**  
350 ohm, nominal
- Input Resistance:**  
385 ohm, nominal
- Material/Finish:**  
Stainless steel
- Temperature:**  
Compensated range  
14 °F to 104 °F (-10 °C to 40 °C)  
Operating range  
0 °F to 150 °F (-18 °C to 65 °C)
- Seal Type:**  
Welded-seal, IP67
- Safe Overload:**  
150% full scale
- Rated Excitation:**  
5 to 10 VDC (15 V maximum)
- Combined Error:**  
0.02% full scale
- Insulation Resistance:**  
5,000 megohm
- Deflection at Capacity:**  
0.02 in
- Cable Length:**  
20 ft
- Cable Diameter:**  
0.190 in polyurethane jacket
- Cable Color Code:**  
Green +Excitation  
Black -Excitation  
White +Signal  
Red -Signal  
Yellow Shield
- Warranty:**  
Two-year limited
- Approvals:**  
FM  
NTEP 06-023

# RL39123

Stainless Steel, Environmentally Sealed, IP67

LOAD CELLS /  
WEIGH MODULES



Picture is a representation of actual product.

### Approvals



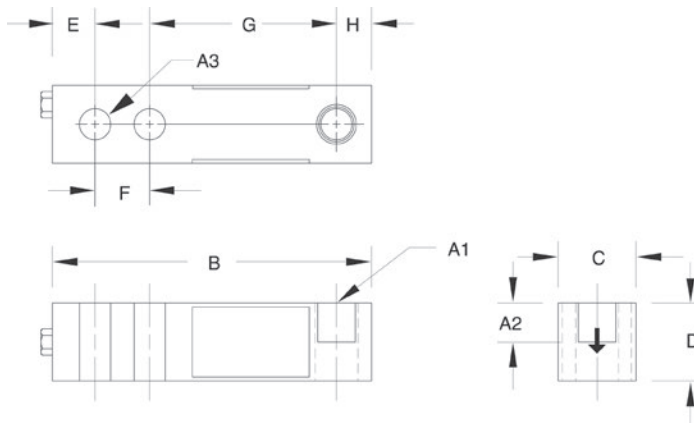
### Order Information

| Load Rating   | Part # | Est. Weight | Price    |
|---|--------|-------------|----------|
| <b>20 ft Cables</b>   |        |             |          |
| 250 lb  | 17386  | 3 lb        | \$344.00 |
| 500 lb  | 17387  | 3 lb        | \$344.00 |
| 1,000 lb  | 17189  | 3 lb        | \$344.00 |
| 2,500 lb  | 17191  | 3 lb        | \$344.00 |
| 4,000 lb  | 17193  | 3 lb        | \$344.00 |
| 5,000 lb  | 17194  | 5 lb        | \$439.00 |
| 10,000 lb   | 17195  | 5 lb        | \$439.00 |
| <b>30 ft Cables</b>   |        |             |          |
| 4,000 lb  | 95562  | 3 lb        | \$365.00 |
| <b>Conduit Adapter Kit (must be factory installed to maintain warranty)</b> |        |             |          |
| 3/8-24 nipple   | 31533* | 1 lb        | \$37.00  |
| 3/8-24 to 1/4-18 NPT  | 31534* | 1 lb        | \$37.00  |

\* PN 31533 and PN 31534 must be installed together to form the Conduit Adapter Kit

### Dimensions

| Rated Capacity  | A1         | A2   | A3   | B    | C    | D    | E    | F    | G    | H    |
|-----------------|------------|------|------|------|------|------|------|------|------|------|
| 250 to 4,000    | 1/2-20 UNF | 0.60 | 0.53 | 5.12 | 1.25 | 1.25 | 0.62 | 1.00 | 3.00 | 0.50 |
| 5,000 to 10,000 | 3/4-16 UNF | 0.75 | 0.78 | 6.75 | 1.50 | 1.50 | 0.75 | 1.50 | 3.75 | 0.75 |



### Interchangeable Products

VPG® REVERE  
**9123**  
ARTECH®  
**SS30310**

### Weigh Module Available

RICE LAKE WEIGHING SYSTEMS  
**RL50210TA**  
RICE LAKE WEIGHING SYSTEMS  
**RL1800 Series**

### Specifications

- Full Scale Output:**  
3.0 mV/V
- Output Resistance:**  
349 to 355 ohm
- Input Resistance:**  
343 to 357 ohm
- Material/Finish:**  
Stainless steel
- Temperature:**  
Operating range:  
0 °F to 150 °F (-18 °C to 65 °C)
- Seal Type:**  
Environmentally sealed, IP67
- Safe Overload:**  
150% full scale
- Safe Sideload:**  
100% full scale
- Rated Excitation:**  
5 to 10 VDC (15 V maximum)
- Nonlinearity:**  
0.03% full scale
- Hysteresis:**  
0.02% full scale
- Insulation Resistance:**  
5,000 megohm
- Deflection at Capacity:**  
250 to 1,000 lb: 0.013 in  
2,000 to 3,000 lb: 0.015 in  
4,000 to 5,000 lb: 0.025 in  
10,000 lb: 0.32 in
- Cable Length:**  
20 ft  
30 ft
- Cable Diameter:**  
0.200 in polyurethane jacket
- Cable Color Code:**  
Red +Excitation  
Black -Excitation  
Green +Signal  
White -Signal
- Warranty:**  
Two-year limited
- Approvals:**  
cFMus



Picture is a representation of actual product.

**Approvals**

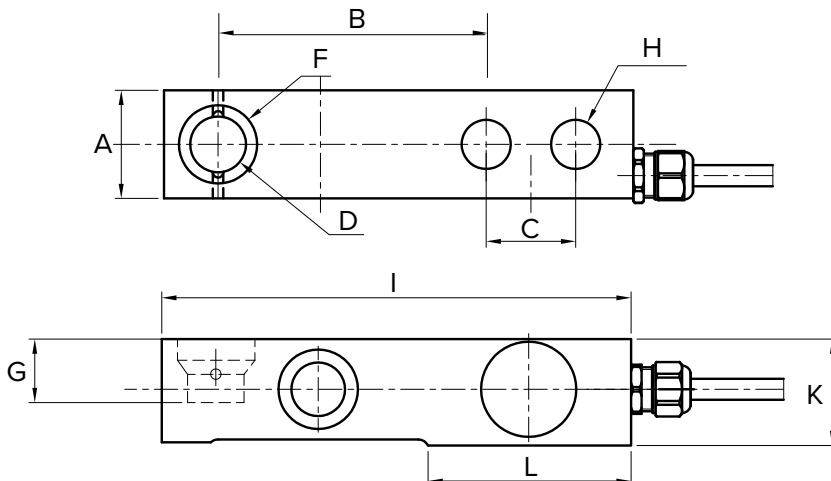


**Order Information**

| Load Rating                  | Part #        | Est. Weight | Price    |
|------------------------------|---------------|-------------|----------|
| <b>15 ft Cable</b>           |               |             |          |
| 500 lb                       | <b>189189</b> | 3 lb        | \$477.00 |
| 1,250 lb                     | <b>189190</b> | 3 lb        | \$477.00 |
| 2,500 lb                     | <b>189191</b> | 3 lb        | \$477.00 |
| 5,000 lb                     | <b>189192</b> | 5 lb        | \$630.00 |
| 10,000 lb                    | <b>189193</b> | 5 lb        | \$758.00 |
| <b>30 ft Cable</b>           |               |             |          |
| 500 lb                       | <b>191974</b> | 3 lb        | \$503.00 |
| 1,250 lb                     | <b>191975</b> | 3 lb        | \$503.00 |
| 2,500 lb                     | <b>191976</b> | 3 lb        | \$503.00 |
| 5,000 lb                     | <b>191977</b> | 5 lb        | \$662.00 |
| 10,000 lb                    | <b>191978</b> | 5 lb        | \$790.00 |
| <b>Replacement load pins</b> |               |             |          |
| Rocker pin 500 to 2.5K       | <b>108612</b> | 1 lb        | \$85.00  |
| Rocker pin 5K                | <b>130408</b> | 1 lb        | \$90.00  |
| Rocker pin 10K               | <b>131376</b> | 1 lb        | \$130.00 |
| O-ring (two per pin)         | <b>108202</b> | 1 lb        | \$1.00   |

**Dimensions**

| Rated Capacity | A    | B    | C    | D    | F    | G    | H    | I    | K    | L    |
|----------------|------|------|------|------|------|------|------|------|------|------|
| lb/in          |      |      |      |      |      |      |      |      |      |      |
| 500 to 1,250   | 1.21 | 3.00 | 1.00 | 0.62 | 0.88 | 0.68 | 0.51 | 5.25 | 1.19 | 2.27 |
| 2,500          | 1.21 | 3.00 | 1.00 | 0.62 | 0.88 | 0.68 | 0.51 | 5.25 | 1.19 | 2.27 |
| 5,000          | 1.44 | 3.00 | 1.00 | 0.62 | 0.88 | 0.90 | 0.51 | 5.38 | 1.44 | 2.28 |
| 10,000         | 1.69 | 3.75 | 1.50 | 0.88 | 1.38 | 1.15 | 0.76 | 6.75 | 1.69 | 2.91 |



**Interchangeable Products**

- METTLER-TOLEDO®  
**TB600529-500 lb**
- METTLER-TOLEDO  
**TB600363-1,250 lb**
- METTLER-TOLEDO  
**TB600342-2,500 lb**
- METTLER-TOLEDO  
**TB600343-5,000 lb**
- METTLER-TOLEDO  
**TB600364-10,000 lb**
- HBK®  
**THC**

**Weigh Module Available**

RICE LAKE WEIGHING SYSTEMS  
**RLTM**

**Specifications**

- Full Scale Output:**  
2.0 mV/V ±0.05% current matched
- Output Resistance:**  
350 (± 3) ohm
- Input Resistance:**  
400 (± 20) ohm
- Material/Finish:**  
Stainless steel
- Temperature:**  
Compensated range  
14 °F to 104 °F (-10 °C to 40 °C)  
Operating range  
0 °F to 150 °F (-18 °C to 65 °C)
- Seal Type:**  
Hermetically sealed, IP69K
- Safe Overload:**  
150% full scale
- Rated Excitation:**  
5 to 10 VDC
- Combined Error:**  
0.017% full scale
- Insulation Resistance:**  
5,000 megohm
- Cable Length:**  
15 ft  
30 ft
- Cable Color Code:**  
Green +Excitation  
Black -Excitation  
White +Signal  
Red -Signal
- Warranty:**  
Two-year limited
- Approvals:**  
cFMus  
NTEP 18-106

# RL30745

Stainless Steel, Welded Seal, NTEP Certified 1:5,000 Class III Multiple, IP67



LOAD CELLS / WEIGH MODULES



Picture is a representation of actual product.

### Approvals

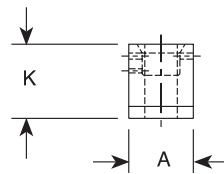
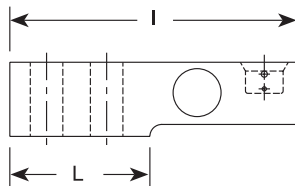
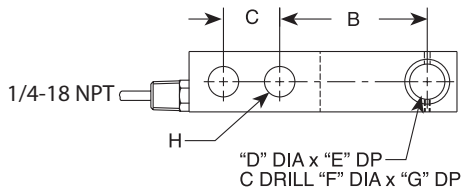


### Order Information

| Load Rating                  | Part # | Est. Weight | Price    |
|------------------------------|--------|-------------|----------|
| <b>30 ft Cables</b>          |        |             |          |
| 10,000 lb                    | 45466  | 6 lb        | \$790.00 |
| <b>Replacement load pins</b> |        |             |          |
| Rocker pin                   | 108612 | 1 lb        | \$85.00  |
| Rocker pin                   | 130408 | 1 lb        | \$90.00  |
| Rocker pin                   | 131376 | 1 lb        | \$130.00 |
| O-ring (two per pin)         | 108202 | 1 lb        | \$1.00   |

### Dimensions

| Rated Capacity | A    | B    | C    | D    | E    | F    | G    | H    | I    | K    | L    |
|----------------|------|------|------|------|------|------|------|------|------|------|------|
| 10,000 lb/in   | 1.68 | 3.75 | 1.50 | 0.88 | 1.06 | 1.38 | 0.44 | 0.75 | 6.87 | 1.68 | 3.03 |



### Interchangeable Products

- METTLER-TOLEDO®  
**TB600529-500 lb**
- METTLER-TOLEDO  
**TB600363-1,250 lb**
- METTLER-TOLEDO  
**TB600342-2,500 lb**
- METTLER-TOLEDO  
**TB600343-5,000 lb**
- METTLER-TOLEDO  
**TB600364-10,000 lb**
- HBK®  
**THC**

### Weigh Module Available

RICE LAKE WEIGHING SYSTEMS  
**RLTM**

### Specifications

- Full Scale Output:**  
2.0 mV/V, ±0.002 mV/V
- Bridge Resistance:**  
350 ohm, nominal
- Material/Finish:**  
Stainless steel
- Temperature:**  
Compensated range  
14 °F to 104 °F (-10 °C to 40 °C)  
Operating range  
0 °F to 150 °F (-18 °C to 65 °C)
- Seal Type:**  
Welded-seal, IP67
- Safe Overload:**  
150% full scale
- Safe Sideload:**  
100% full scale
- Rated Excitation:**  
5 to 10 VDC (15 V maximum)
- Combined Error:**  
0.03%
- Non-repeatability:**  
0.01% full scale
- Insulation Resistance:**  
5,000 megohm
- Cable Length:**  
30 ft
- Cable Diameter:**  
0.190 in polyurethane jacket
- Deflection at Capacity:**  
500 to 2,500 lb: 0.010 in  
5,000 to 10,000 lb: 0.012 in
- Cable Color Code:**  
Green +Excitation  
Black -Excitation  
White +Signal  
Red -Signal  
Yellow Shield
- Warranty:**  
Two-year limited
- Approvals:**  
FM  
NTEP 06-023

SINGLE-ENDED BEAM  
**RL35023S Painted**

Stainless Steel, Environmentally Sealed, NTEP Certified 1:5,000 Class III Multiple Cell, IP67



Picture is a representation of actual product.

**Approvals**



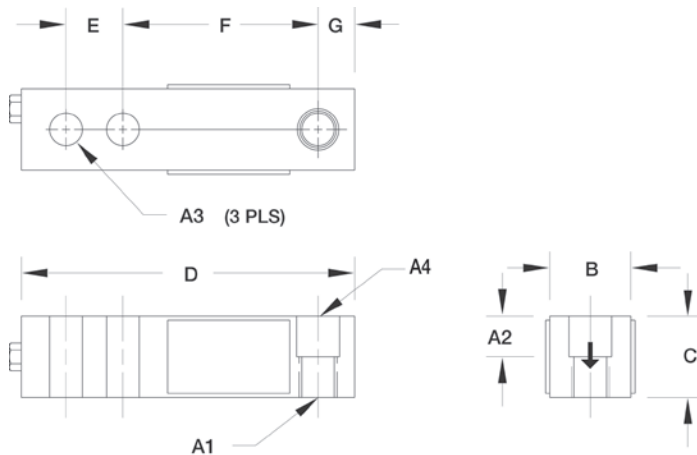
**Order Information**

| Load Rating   | Part #        | Est. Weight | Price    |
|---|---------------|-------------|----------|
| 1,000 lb  | <b>182754</b> | 3 lb        | \$371.00 |
| 2,000 lb  | <b>182755</b> | 3 lb        | \$371.00 |
| 2,500 lb  | <b>182756</b> | 3 lb        | \$371.00 |
| 4,000 lb  | <b>182757</b> | 3 lb        | \$371.00 |
| 5,000 lb  | <b>182758</b> | 3 lb        | \$466.00 |
| 10,000 lb   | <b>182759</b> | 3 lb        | \$466.00 |
| <b>Conduit Adapter Kit (must be factory installed to maintain warranty)</b> |               |             |          |
| 3/8-24 nipple   | <b>31533*</b> | 1 lb        | \$37.00  |
| 3/8-24 to 1/4-18 NPT  | <b>31534*</b> | 1 lb        | \$37.00  |

\* PN 31533 and PN 31534 must be installed together to form the Conduit Adapter Kit

**Dimensions**

| Rated Capacity  | A1         | A2   | A3   | A4       | B    | C    | D    | E    | F    | G    |
|-----------------|------------|------|------|----------|------|------|------|------|------|------|
| lb/in           |            |      |      |          |      |      |      |      |      |      |
| 1,000 to 4,000  | 1/2-20 UNF | 0.62 | 0.53 | 0.53 dia | 1.25 | 1.25 | 5.12 | 1.00 | 3.00 | 0.50 |
| 5,000 to 10,000 | 3/4-16 UNF | 0.75 | 0.78 | 0.78 dia | 1.50 | 1.50 | 6.75 | 1.50 | 3.75 | 0.75 |



**Interchangeable Products**

- VPG® SENSORTRONICS®  
**65023S\***
- VPG® SENSORTRONICS  
**65023SS\***
- VPG® CELTRON  
**SQB-HSS\***

**Weigh Module Available**

- RICE LAKE WEIGHING SYSTEMS  
**RL50210TA**
- RICE LAKE WEIGHING SYSTEMS  
**RL1800 Series**

\*Cells are unpainted

**Specifications**

- Full Scale Output:**  
3.0 mV/V
- Output Resistance:**  
349 to 355 ohm
- Input Resistance:**  
343 to 357 ohm
- Material/Finish:**  
Stainless steel, painted
- Temperature:**  
Compensated range  
14 °F to 104 °F (-10 °C to 40 °C)  
Operating range  
0 °F to 150 °F (-18 °C to 65 °C)
- Seal Type:**  
Environmentally sealed, IP67
- Safe Overload:**  
150% full scale
- Safe Sideload:**  
100% full scale
- Rated Excitation:**  
5 to 10 VDC (15 V maximum)
- Combined Error:**  
0.02% full scale
- Deflection at Capacity:**  
500 to 4,000 lb: 0.017 to 0.025 in  
5,000 to 10,000 lb: 0.025 to 0.035 in
- Cable Length:**  
20 ft
- Cable Diameter:**  
0.200 in polyurethane jacket
- Cable Color Code:**  
Red +Excitation  
Black -Excitation  
Green +Signal  
White -Signal
- Insulation Resistance:**  
5,000 megohm
- Warranty:**  
Two-year limited
- Approvals:**  
cFMus  
NTEP 94-134

LOAD CELLS / WEIGH MODULES

# RLHTO

Stainless Steel, Hermetically Sealed, IP66/68

LOAD CELLS /  
WEIGH MODULES



Picture is a representation of actual product.

### Approvals

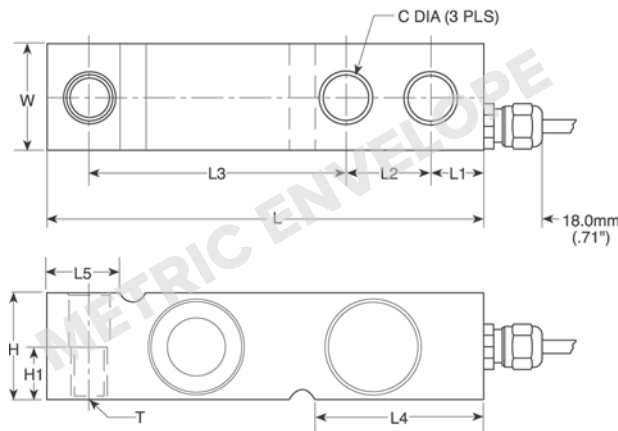


### Order Information

| Load Rating | Part # | Est. Weight | Price    |
|-------------|--------|-------------|----------|
| 500 kg      | 31253  | 3 lb        | \$514.00 |
| 1,000 kg    | 31250  | 3 lb        | \$514.00 |
| 2,000 kg    | 31251  | 3 lb        | \$514.00 |
| 5,000 kg    | 31252  | 5 lb        | \$588.00 |

### Dimensions

| Rated Capacity | C    | H    | H1   | L     | L1   | L2   | L3   | L4   | L5   | T          | W    |
|----------------|------|------|------|-------|------|------|------|------|------|------------|------|
| kg/mm          |      |      |      |       |      |      |      |      |      |            |      |
| 500 to 2,000   | 13.5 | 32.0 | 16.0 | 130.0 | 15.8 | 25.4 | 76.2 | 50.5 | 23.5 | M12 x 1.75 | 32.0 |
| 5,000          | 20.5 | 48.0 | —    | 171.5 | 19.0 | 38.1 | 95.3 | 70.0 | 37.0 | —          | 36.5 |



### Interchangeable Products

VPG® TEDEA-HUNTLEIGH  
3510-OIML

### Weigh Module Available

RICE LAKE WEIGHING SYSTEMS  
1700 HE

### Specifications

**Full Scale Output:**

2.0 mV/V

**Output Resistance:**

350 (± 3) ohm

**Input Resistance:**

380 (± 10) ohm

**Material/Finish:**

Stainless steel

**Temperature:**

Operating range  
0 °F to 150 °F (-18 °C to 65 °C)

**Seal Type:**

Hermetically sealed, IP66/68

**Safe Overload:**

150% full scale

**Safe Sideload:**

100% full scale

**Rated Excitation:**

5 to 10 VDC (15 V maximum)

**Combined Error:**

0.02% applied load

**Insulation Resistance:**

2,000 megohm

**Deflection at Capacity:**

0.4 mm

**Cable Length:**

5 m

**Cable Diameter:**

0.220 in polyurethane jacket

**Cable Color Code:**

Blue +Excitation  
Black -Excitation  
White +Signal  
Red -Signal  
Green +Sense  
Grey -Sense

**Warranty:**

Two-year limited

**Approvals:**

cFMus



Picture is a representation of actual product.

### Approvals

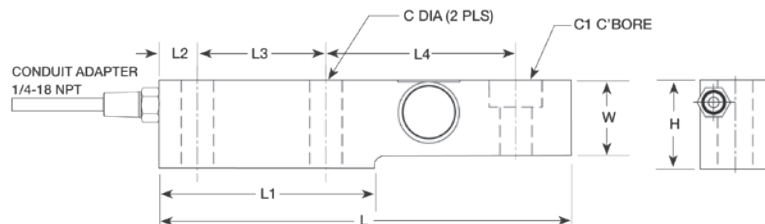


### Order Information

| Load Rating                   | Part #       | Est. Weight | Price    |
|-------------------------------|--------------|-------------|----------|
| 1,000 lb                      | <b>34310</b> | 5 lb        | \$636.00 |
| 2,000 lb                      | <b>34311</b> | 5 lb        | \$636.00 |
| 5,000 lb                      | <b>34312</b> | 6 lb        | \$636.00 |
| 10,000 lb                     | <b>34313</b> | 10 lb       | \$758.00 |
| Options                       |              |             |          |
| Load cell button (1 K to 5 K) | <b>26112</b> | —           | \$37.00  |

### Dimensions

| Rated Capacity | C    | C1                              | H    | L    | L1   | L2   | L3   | L4   | W    |
|----------------|------|---------------------------------|------|------|------|------|------|------|------|
| lb/in          |      |                                 |      |      |      |      |      |      |      |
| 1,000 to 5,000 | 0.53 | 0.68 thru C'Bore 1.19 x 0.47 DP | 1.88 | 8.00 | 4.00 | 0.75 | 2.50 | 3.88 | 1.44 |
| 10,000         | 0.88 | 1.00 thru C'Bore 1.63 x 0.62 DP | 2.75 | 9.25 | 4.62 | 0.81 | 2.63 | 4.88 | 1.88 |



### Interchangeable Products

VPG® REVERE

**SSB**

HBK®

**SB3**

ARTECH®

**SS30610**

### Weigh Module Available

RICE LAKE WEIGHING SYSTEMS

**RL1900 Series**

### Specifications

#### Full Scale Output:

2.0 mV/V

#### Bridge Resistance:

350 ohm, nominal

#### Material/Finish:

Stainless steel

#### Temperature:

Compensated range

14 °F to 104 °F (-10 °C to 40 °C)

Operating range

0 °F to 150 °F (-18 °C to 65 °C)

#### Seal Type:

Welded-seal, IP67

#### Safe Overload:

150% full scale

#### Safe Sideload:

100% full scale

#### Rated Excitation:

5 to 10 VDC (15 V maximum)

#### Combined Error:

0.02% full scale

#### Non-repeatability:

0.01% full scale

#### Insulation Resistance:

5,000 megohm

#### Cable Length:

15 ft

#### Cable Diameter:

0.200 in polyurethane jacket

#### Cable Color Code:

Green +Excitation

Black -Excitation

White +Signal

Red -Signal

#### Warranty:

Two-year limited

#### Approvals:

cFMus

NTEP 96-053

# RLSB250/RLSB250T

Stainless Steel, Welded Seal, NTEP Certified 1:5,000 Class III Multiple Cell, IP67

LOAD CELLS /  
WEIGH MODULES



Picture is a representation of actual product.

### Approvals

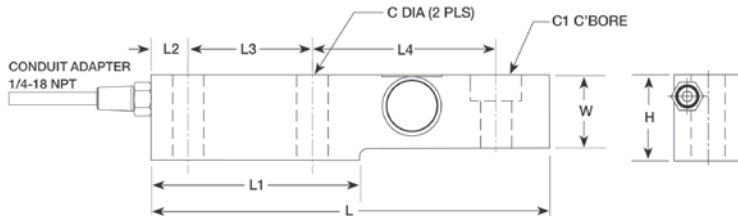


### Dimensions

| Rated Capacity | C    | C1             | H    | L    | L1   | L2   | L3   | L4   | T          | W    |
|----------------|------|----------------|------|------|------|------|------|------|------------|------|
| lb/in          |      |                |      |      |      |      |      |      |            |      |
| 2,500          | 0.53 | 1.20 x 0.75 DP | 1.93 | 8.00 | 4.00 | 0.75 | 2.50 | 3.88 | 3/4-16 UNF | 1.25 |
| 5,000          | 0.53 | 1.20 x 0.75 DP | 1.93 | 8.00 | 4.00 | 0.75 | 2.50 | 3.88 | 3/4-16 UNF | 1.45 |
| 10,000         | —    | 1.20 x 0.75 DP | 2.46 | 9.00 | 4.00 | 0.75 | 2.00 | 5.25 | —          | 1.62 |

### Order Information

| Load Rating      | Part # | Est. Weight | Price    |
|------------------|--------|-------------|----------|
| <b>Threaded</b>  |        |             |          |
| 2,500 lb         | 116053 | 6 lb        | \$636.00 |
| 5,000 lb         | 116054 | 6 lb        | \$742.00 |
| <b>Thru Hole</b> |        |             |          |
| 2,500 lb         | 34482  | 6 lb        | \$636.00 |
| 10,000 lb        | 116055 | 10 lb       | \$742.00 |
| <b>Options</b>   |        |             |          |
| Load cell button | 116084 | —           | \$11.00  |



### Interchangeable Products

CARDINAL®  
**SB2500\***  
*\*No threads in load hole*

### Specifications

- Full Scale Output:** 2.0 mV/V
- Bridge Resistance:** 350 ohm, nominal
- Material/Finish:** Stainless steel
- Temperature:** Compensated range 14 °F to 104 °F (-10 °C to 40 °C)  
Operating range 0 °F to 150 °F (-18 °C to 65 °C)
- Seal Type:** Welded-seal, IP67
- Safe Overload:** 150% full scale
- Safe Sideload:** 100% full scale
- Rated Excitation:** 5 to 10 VDC (15 V maximum)
- Combined Error:** 0.02% full scale
- Non-repeatability:** 0.01% full scale
- Insulation Resistance:** 5,000 megohm
- Cable Length:** 15 ft - pn 34482  
20 ft
- Cable Diameter:** 0.200 in polyurethane jacket
- Cable Color Code:** Green +Excitation  
Black -Excitation  
White +Signal  
Red -Signal
- Warranty:** Two-year limited
- Approvals:** cFMus  
NTEP 96-053



SINGLE-ENDED BEAM  
**RL50219SS**

Stainless Steel, Environmentally Sealed, IP67

LOAD CELLS /  
WEIGH MODULES



**Interchangeable Products**

- RICE LAKE WEIGHING SYSTEMS  
**RL60040SST**
- RICE LAKE WEIGHING SYSTEMS  
**RL50210** (alloy)

**Weigh Module Available**

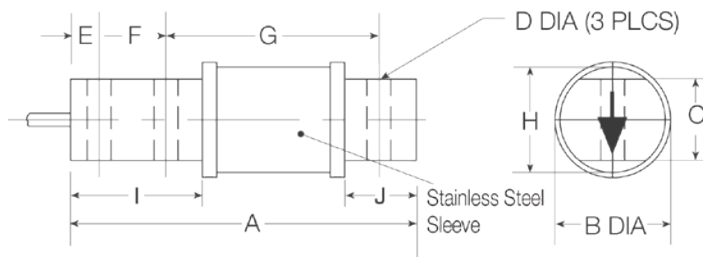
- RICE LAKE WEIGHING SYSTEMS  
**RL50219SS-TA**

**Dimensions**

| Rated Capacity | A    | B    | C    | D    | E    | F    | G    | H    | I    | J    |
|----------------|------|------|------|------|------|------|------|------|------|------|
| lb/in          |      |      |      |      |      |      |      |      |      |      |
| 25 to 500      | 2.81 | 1.30 | 0.62 | 0.26 | 0.25 | 0.50 | 1.81 | 1.00 | 1.00 | 0.50 |

**Order Information**

| Load Rating | Part #        | Est. Weight | Price    |
|-------------|---------------|-------------|----------|
| 25 lb       | <b>194014</b> | 2 lb        | \$450.00 |
| 50 lb       | <b>194015</b> | 2 lb        | \$450.00 |
| 75 lb       | <b>194016</b> | 2 lb        | \$450.00 |
| 100 lb      | <b>194017</b> | 2 lb        | \$450.00 |
| 150 lb      | <b>194018</b> | 2 lb        | \$450.00 |
| 250 lb      | <b>194019</b> | 2 lb        | \$450.00 |
| 500 lb      | <b>194020</b> | 2 lb        | \$450.00 |



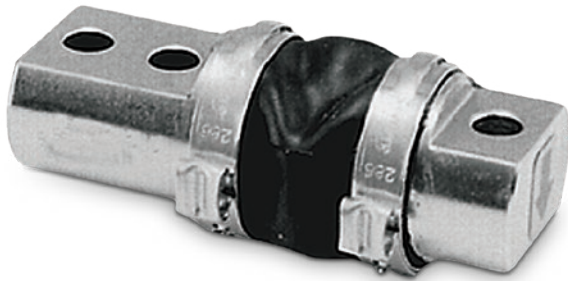
**Specifications**

- Full Scale Output:**  
3.0 mV/V
- Output Resistance:**  
350 (± 3) ohm
- Input Resistance:**  
380 to 450 ohm
- Material/Finish:**  
Stainless steel
- Temperature:**  
Operating range  
0 °F to 150 °F (-18 °C to 65 °C)
- Seal Type:**  
Environmentally sealed, IP67
- Safe Overload:**  
150% full scale
- Rated Excitation:**  
5 to 10 VDC
- Nonlinearity:**  
0.03% full scale
- Hysteresis:**  
0.02% full scale
- Combined Error:**  
0.017% full scale
- Insulation Resistance:**  
5,000 megohm
- Cable Length:**  
20 ft
- Cable Color Code:**  
Red +Excitation  
Black -Excitation  
Green +Signal  
White -Signal
- Warranty:**  
Two-year limited

# RL50210

Alloy Steel, Environmentally Sealed, IP65

LOAD CELLS /  
WEIGH MODULES



Picture is a representation of actual product.

### Approvals

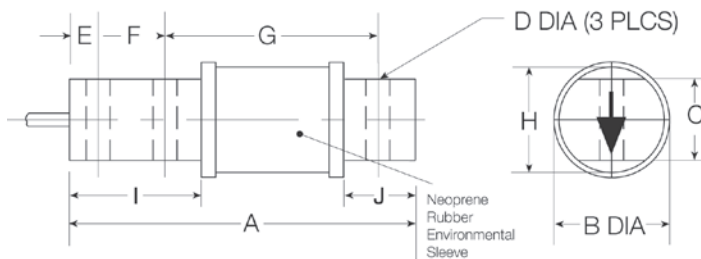


### Order Information

| Load Rating | Part # | Est. Weight | Price    |
|-------------|--------|-------------|----------|
| 25 lb       | 17385  | 2 lb        | \$260.00 |
| 50 lb       | 17380  | 2 lb        | \$260.00 |
| 100 lb      | 17381  | 2 lb        | \$260.00 |
| 150 lb      | 17382  | 2 lb        | \$260.00 |
| 250 lb      | 17383  | 2 lb        | \$260.00 |
| 500 lb      | 17384  | 2 lb        | \$260.00 |

### Dimensions

| Rated Capacity | A    | B    | C    | D    | E    | F    | G    | H    | I    | J    |
|----------------|------|------|------|------|------|------|------|------|------|------|
| lb/in          |      |      |      |      |      |      |      |      |      |      |
| 25 to 500      | 2.81 | 1.30 | 0.62 | 0.26 | 0.25 | 0.50 | 1.81 | 1.00 | 1.00 | 0.50 |



### Interchangeable Products

RICE LAKE WEIGHING SYSTEMS

**RL50219SS**

VPG® SENSORTRONICS®

**60040**

ARTECH®

**50210**

VPG® REVERE

**5503**

### Weigh Module Available

RICE LAKE WEIGHING SYSTEMS

**RL50210TA**

### Specifications

**Full Scale Output:**

3.0 mV/V

**Output Resistance:**

349 to 355 ohm

**Input Resistance:**

360 to 450 ohm

**Material/Finish:**

High-alloy steel, nickel plated

**Temperature:**

Operating range

0 °F to 150 °F (-18 °C to 65 °C)

**Seal Type:**

Environmentally sealed with neoprene sleeve, IP65

**Safe Overload:**

150% full scale

**Rated Excitation:**

5 to 10 VDC (15 V maximum)

**Nonlinearity:**

0.03% full scale

**Hysteresis:**

0.02% full scale

**Insulation Resistance:**

5,000 megohm

**Deflection at Capacity:**

25 to 50 lb: 0.008 in

100 lb: 0.010 in

150 lb: 0.012 in

250 lb: 0.016 in

500 lb: 0.025 in

**Cable Length:**

20 ft

**Cable Diameter:**

0.200 in polyurethane jacket

**Cable Color Code:**

Red +Excitation

Black -Excitation

Green +Signal

White -Signal

**Warranty:**

Two-year limited

**Approvals:**

cFMus



SINGLE-ENDED BEAM  
**RL60040SST**

Stainless Steel, Environmentally Sealed, IP65

LOAD CELLS / WEIGH MODULES



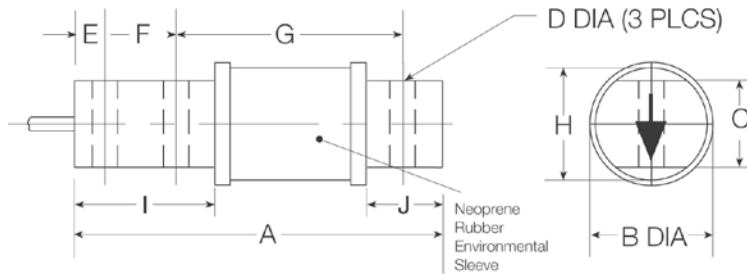
Picture is a representation of actual product.

**Order Information**

| Load Rating | Part # | Est. Weight | Price    |
|-------------|--------|-------------|----------|
| 50 lb       | 101973 | 3 lb        | \$450.00 |
| 250 lb      | 101977 | 3 lb        | \$450.00 |

**Dimensions**

| Rated Capacity | A    | B    | C    | D    | E    | F    | G    | H    | I    | J    |
|----------------|------|------|------|------|------|------|------|------|------|------|
| lb/in          |      |      |      |      |      |      |      |      |      |      |
| 25 to 250      | 2.81 | 1.30 | 0.62 | 0.26 | 0.25 | 0.50 | 1.81 | 1.00 | 1.00 | 0.50 |



**Interchangeable Products**

RICE LAKE WEIGHING SYSTEMS

**RL50219SS**

VPG® SENSORTRONICS®\*

**60040**

ARTECH®\*

**50210**

VPG® REVERE®\*

**5503**

**Weigh Module Available**

RICE LAKE WEIGHING SYSTEMS

**RL50210TA**

\*Alloy steel

**Specifications**

**Full Scale Output:**

3.0 mV/V

**Output Resistance:**

349 to 355 ohm

**Input Resistance:**

380 to 450 ohm

**Material/Finish:**

Stainless steel

**Temperature:**

Operating range  
0 °F to 150 °F (-18 °C to 65 °C)

**Seal Type:**

Environmentally sealed with neoprene sleeve, IP65

**Safe Overload:**

150% full scale

**Rated Excitation:**

5 to 10 VDC (15 V maximum)

**Nonlinearity:**

0.03% full scale

**Hysteresis:**

0.02% full scale

**Insulation Resistance:**

5,000 megohm

**Deflection at Capacity:**

25 to 50 lb: 0.008 in  
100 lb: 0.010 in  
150 lb: 0.012 in  
250 lb: 0.016 in  
500 lb: 0.025 in

**Cable Length:**

20 ft

**Cable Diameter:**

0.200 in polyurethane jacket

**Cable Color Code:**

Red +Excitation  
Black -Excitation  
Green +Signal  
White -Signal

**Warranty:**

Two-year limited



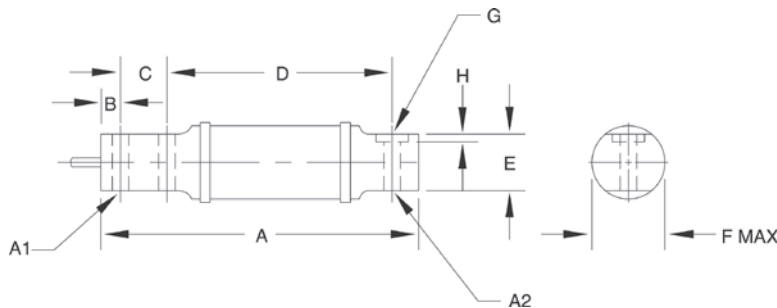
Picture is a representation of actual product.

## Order Information

| Load Rating | Part # | Est. Weight | Price    |
|-------------|--------|-------------|----------|
| 50 lb       | 17395  | 3 lb        | \$418.00 |
| 100 lb      | 17343  | 3 lb        | \$418.00 |
| 200 lb      | 17396  | 3 lb        | \$418.00 |
| 250 lb      | 17397  | 3 lb        | \$418.00 |
| 500 lb      | 17398  | 3 lb        | \$418.00 |
| 1,000 lb    | 17344  | 3 lb        | \$418.00 |
| 2,500 lb    | 17345  | 9 lb        | \$662.00 |

## Dimensions

| Rated Capacity | A     | A1   | A2   | B    | C    | D    | E    | F    | G    | H    |
|----------------|-------|------|------|------|------|------|------|------|------|------|
| 50 to 100      | 6.00  | 0.31 | 0.31 | 0.38 | 0.88 | 4.25 | 1.06 | 1.41 | —    | —    |
| 200 to 1,000   | 6.62  | 0.52 | 0.52 | 0.50 | 1.12 | 4.25 | 1.06 | 1.41 | —    | —    |
| 2,500          | 11.38 | 0.53 | 0.62 | 0.50 | 1.75 | 8.25 | 1.25 | 2.19 | 1.19 | 0.12 |



## Interchangeable Products

HBK®  
**BBS**  
 VPG® SENSORTRONICS®  
**65087**  
 FAIRBANKS®  
**3-481XX-1**  
 FAIRBANKS  
**3-48660-1**  
 ARTECH®  
**40310**

## Specifications

### Full Scale Output:

2.0 mV/V

### Output Resistance:

831 (± 50) ohm

### Input Resistance:

750 (±) ohm

### Material/Finish:

High-alloy steel, nickel plated

### Temperature:

Operating range  
 0 °F to 150 °F (-18 °C to 65 °C)

### Seal Type:

Environmentally sealed with neoprene sleeve, IP65

### Safe Overload:

150% full scale

### Rated Excitation:

5 to 10 VDC (15 V maximum)

### Deflection at Capacity:

50 lb: 0.015 in  
 100 lb: 0.005 in  
 200 to 250 lb: 0.030 in  
 500 lb: 0.025 in  
 1,000 lb: 0.040 in  
 2,500 lb: 0.120 in

### Nonlinearity:

0.03% full scale

### Hysteresis:

0.02% full scale

### Insulation Resistance:

5,000 megohm

### Cable Length:

10 ft

### Cable Diameter:

0.200 in polyurethane jacket

### Cable Color Code:

Green +Excitation  
 Black -Excitation  
 White +Signal  
 Red -Signal

### Warranty:

Two-year limited



Picture is a representation of actual product.

**Approvals**

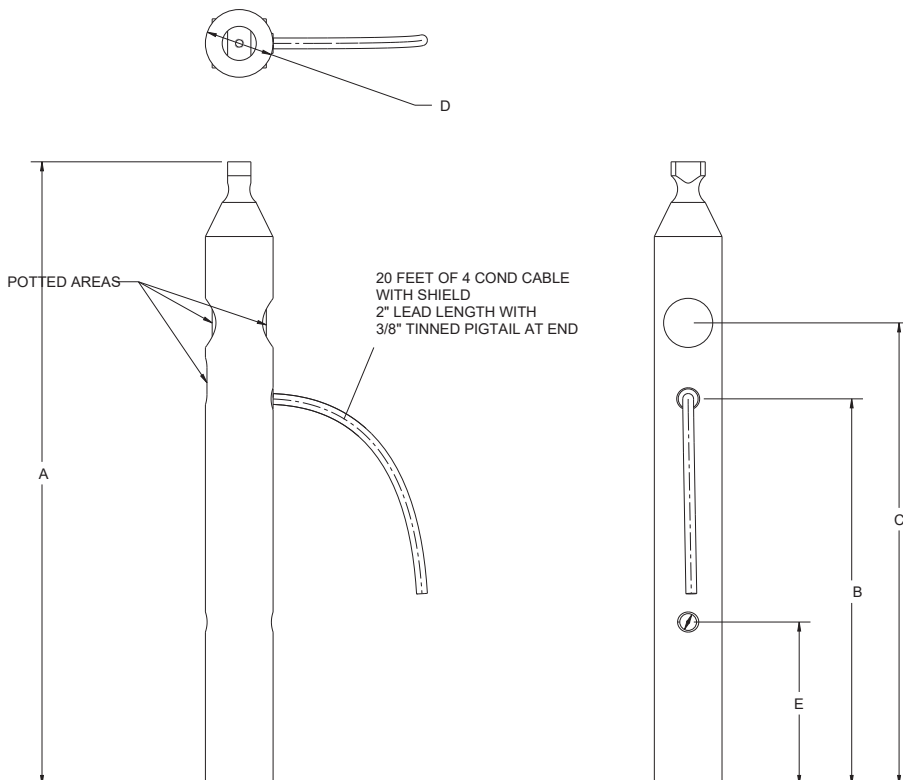


**Order Information**

| Load Rating | Part #        | Est. Weight | Price    |
|-------------|---------------|-------------|----------|
| 1,250 lb    | <b>119788</b> | 5 lb        | \$730.00 |
| 5,000 lb    | <b>119790</b> | 9 lb        | \$850.00 |
| 10,000 lb   | <b>119791</b> | 17 lb       | \$950.00 |

**Dimensions**

| Rated Capacity | A     | B    | C    | D    | E   |
|----------------|-------|------|------|------|-----|
| 1,250          | 11.50 | 7.12 | 8.52 | 1.25 | 3.0 |
| 5,000          | 10.9  | 5.5  | 7.4  | 2.0  | 3.0 |
| 10,000         | 12.6  | 5.9  | 8.0  | 2.5  | 3.0 |



**Interchangeable Products**

AVERY WEIGH TRONIX®  
**Weigh Bar**

**Specifications**

- Full Scale Output:**  
2.0 ± 0.1% mV/V
- Output Resistance:**  
350 (± 3) ohm
- Input Resistance:**  
385 (± 10) ohm
- Material/Finish:**  
Stainless steel
- Temperature:**  
Compensated range  
14 °F to 104 °F (-10 °C to 40 °C)  
Operating range  
0 °F to 150 °F (-18 °C to 65 °C)
- Seal Type:**  
Environmentally sealed, IP67
- Safe Overload:**  
150% full scale
- Safe Sideload:**  
100% full scale
- Rated Excitation:**  
5 to 10 VDC
- Combined Error:**  
0.02% full scale
- Non-Repeatability:**  
± 0.01% full scale
- Insulation Resistance:**  
5,000 megaohm
- Cable Length:**  
20 ft
- Cable Diameter:**  
0.190 in polyurethane jacket
- Cable Color Code:**  
Green +Excitation  
Black -Excitation  
White +Signal  
Red -Signal
- Warranty:**  
Two-year limited
- Approvals:**  
NTEP 11-024

# RL32011WB-T

Stainless Steel, Environmentally Sealed, NTEP Certified 1:5,000 Class III Multiple Cell, Potted, IP67

LOAD CELLS /  
WEIGH MODULES



Picture is a representation of actual product.

### Approvals

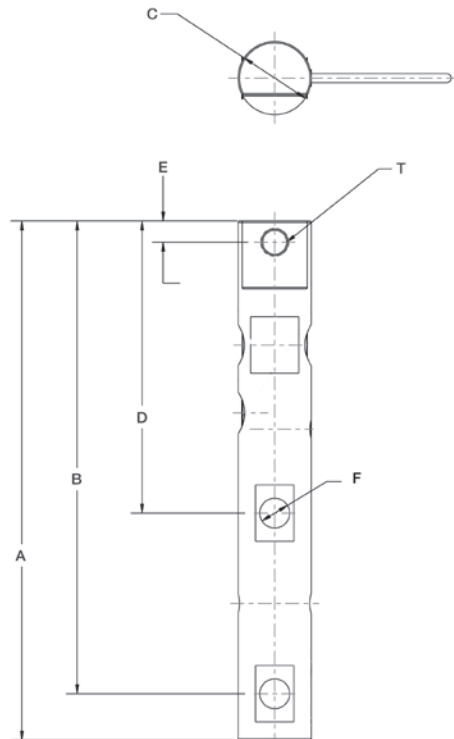


### Order Information

| Load Rating | Part # | Est. Weight | Price    |
|-------------|--------|-------------|----------|
| 1,250 lb    | 119796 | 3 lb        | \$525.00 |
| 2,500 lb    | 119797 | 3 lb        | \$525.00 |

### Dimensions

| Rated Capacity | A     | B     | C    | D    | E    | F    | T          |
|----------------|-------|-------|------|------|------|------|------------|
| lb/in          |       |       |      |      |      |      |            |
| 1,250          | 11.50 | 10.47 | 1.25 | 6.47 | 0.47 | 0.53 | 1/2-13 UNC |
| 2,500          | 11.50 | 10.47 | 1.62 | 6.47 | 0.47 | 0.66 | 5/8-11 UNC |



### Interchangeable Products

AVERY WEIGH TRONIX®  
Weigh Bar

### Specifications

- Full Scale Output:**  
2.0 (± 0.1%) mV/V
- Output Resistance:**  
350 (± 3) ohm
- Input Resistance:**  
385 (± 10) ohm
- Material/Finish:**  
Stainless steel
- Temperature:**  
Compensated range  
14 °F to 104 °F (-10 °C to 40 °C)  
Operating range  
0 °F to 150 °F (-18 °C to 65 °C)
- Seal Type:**  
Environmentally sealed, IP67
- Safe Overload:**  
150% full scale
- Safe Sideload:**  
100% full scale
- Rated Excitation:**  
5 to 10 VDC
- Combined Error:**  
0.02% full scale
- Non-Repeatability:**  
± 0.01% full scale
- Insulation Resistance:**  
5,000 megaohm
- Cable Length:**  
20 ft
- Cable Diameter:**  
0.190 in polyurethane jacket
- Cable Color Code:**  
Green +Excitation  
Black -Excitation  
White +Signal  
Red -Signal
- Warranty:**  
Two-year limited
- Approvals:**  
NTEP 11-024



Picture is a representation of actual product.

### Approvals

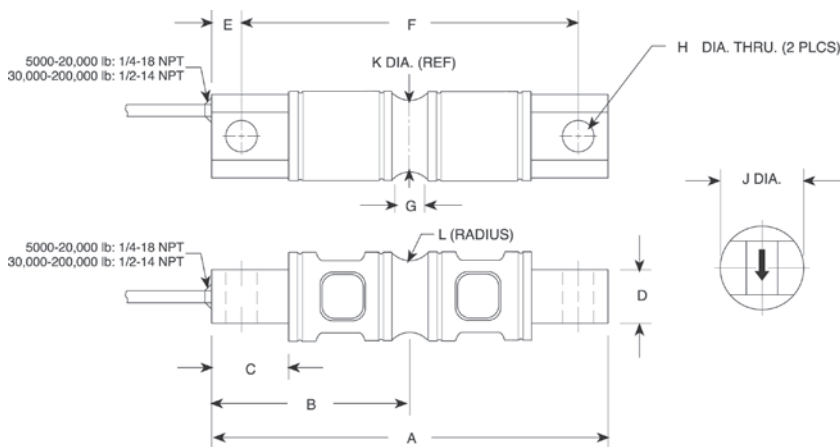


### Order Information

| Load Rating | Part # | Est. Weight | Price      |
|-------------|--------|-------------|------------|
| 5,000 lb    | 201758 | 5 lb        | \$695.00   |
| 10,000 lb   | 201759 | 6 lb        | \$695.00   |
| 20,000 lb   | 201760 | 7 lb        | \$695.00   |
| 30,000 lb   | 201761 | 18 lb       | \$800.00   |
| 40,000 lb   | 201762 | 18 lb       | \$800.00   |
| 50,000 lb   | 201763 | 18 lb       | \$800.00   |
| 60,000 lb   | 201764 | 18 lb       | \$800.00   |
| 100,000 lb  | 201765 | 28 lb       | \$1,563.00 |
| 150,000 lb  | 201766 | 34 lb       | \$1,563.00 |
| 200,000 lb  | 201767 | 90 lb       | \$2,940.00 |
| 250,000 lb  | 201768 | 93 lb       | \$2,940.00 |

### Dimensions

| Rated Capacity     | A     | B    | C    | D    | E    | F     | G    | H    | J    | K    | L    |
|--------------------|-------|------|------|------|------|-------|------|------|------|------|------|
| lb/in              |       |      |      |      |      |       |      |      |      |      |      |
| 5,000 to 10,000    | 8.12  | 4.06 | 1.44 | 1.12 | 0.62 | 6.88  | 0.62 | 0.66 | 1.70 | 1.48 | 0.50 |
| 20,000             | 8.12  | 4.06 | 1.44 | 1.12 | 0.62 | 6.88  | 0.84 | 0.66 | 1.95 | 1.48 | 0.50 |
| 30,000 to 60,000   | 10.25 | 5.12 | 1.88 | 2.37 | 0.88 | 8.50  | 1.00 | 1.06 | 3.20 | 2.73 | 1.00 |
| 100,000            | 11.25 | 5.62 | 1.88 | 2.50 | 0.88 | 9.50  | 1.00 | 1.06 | 3.50 | 3.24 | 1.50 |
| 150,000            | 11.25 | 5.62 | 1.88 | 2.80 | 0.88 | 9.50  | 1.25 | 1.06 | 3.90 | 3.64 | 1.50 |
| 200,000 to 250,000 | 16.10 | 8.05 | 3.05 | 4.60 | 1.55 | 13.00 | 1.30 | 1.56 | 5.38 | 5.17 | 2.00 |



### Interchangeable Products

RICE LAKE WEIGHING SYSTEMS

**RL70000\***

VPG® REVERE

**5103\***

ARTECH®

**70210**

METTLER-TOLEDO®

**SLD 430**

### Weigh Module Available

RICE LAKE WEIGHING SYSTEMS

**EZ Mount 1**

\*Conduit adapter optional

### Specifications

#### Full Scale Output:

3.0 mV/V

#### Output Resistance:

700 (± 5) ohm

#### Input Resistance:

5 to 10 k: 700 (± 14) ohm  
20 to 150 k: 770 (± 10) ohm  
200 to 250 k: 700 (± 14) ohm

#### Material/Finish:

High-alloy steel, nickel plated

#### Temperature:

Compensated range  
14 °F to 104 °F (-10 °C to 40 °C)  
Operating range  
0 °F to 150 °F (-18 °C to 65 °C)

#### Seal Type:

Environmentally sealed, IP67

#### Safe Overload:

150% full scale

#### Safe Sideload:

100% full scale

#### Rated Excitation:

5 to 10 VDC (15 V maximum)

#### Combined Error:

0.02% full scale

#### Insulation Resistance:

5,000 megohm

#### Deflection at Capacity:

5,000 lb: 0.02 in  
10,000 lb: 0.025 in  
20,000 lb: 0.042 in  
30,000 to 50,000 lb: 0.02 in  
60,000 lb: 0.025 in  
100,000 lb: 0.02 in

#### Cable Length:

30 ft

#### Cable Color Code:

Red +Excitation  
Black -Excitation  
Green +Signal  
White -Signal

#### Warranty:

Two-year limited

#### Approvals:

cFMus  
NTEP 21-064

DOUBLE-ENDED BEAM  
**RL72020SS**

Stainless Steel, Environmentally Sealed, NTEP Certified 1:5,000 Class III L Multiple Cell, IP67

LOAD CELLS /  
WEIGH MODULES



Picture is a representation of actual product.

Approvals

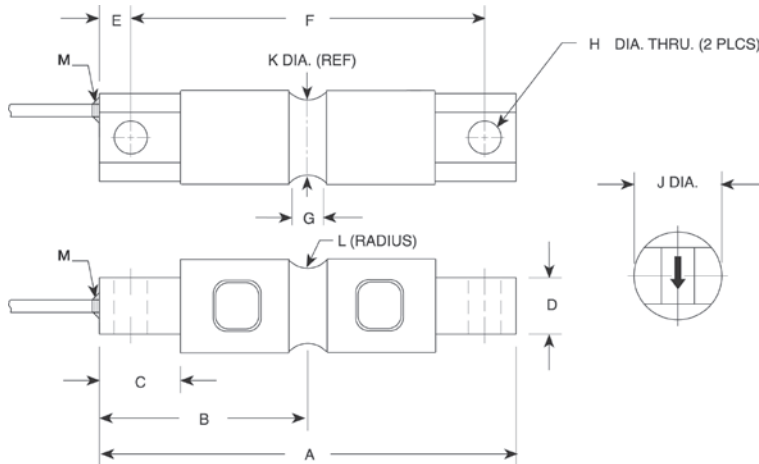


Order Information

| Load Rating               | Part #        | Est. Weight | Price      |
|---------------------------|---------------|-------------|------------|
| <b>NTEP Certified</b>     |               |             |            |
| 10,000 lb                 | <b>201781</b> | 5 lb        | \$820.00   |
| 20,000 lb                 | <b>201782</b> | 5 lb        | \$900.00   |
| 30,000 lb                 | <b>201783</b> | 20 lb       | \$1,033.00 |
| 40,000 lb                 | <b>201784</b> | 20 lb       | \$1,033.00 |
| 50,000 lb                 | <b>201785</b> | 20 lb       | \$1,033.00 |
| 60,000 lb                 | <b>201786</b> | 20 lb       | \$1,033.00 |
| 100,000 lb                | <b>201787</b> | 30 lb       | \$1,960.00 |
| <b>Non-NTEP Certified</b> |               |             |            |
| 5,000 lb                  | <b>201780</b> | 5 lb        | \$820.00   |
| 150,000 lb                | <b>201788</b> | 30 lb       | \$2,173.00 |

Dimensions

| Rated Capacity   | A     | B    | C    | D    | E    | F    | G    | H    | J    | K    | L    | M          |
|------------------|-------|------|------|------|------|------|------|------|------|------|------|------------|
| lb/in            |       |      |      |      |      |      |      |      |      |      |      |            |
| 5,000 to 10,000  | 8.12  | 4.06 | 1.44 | 1.12 | 0.62 | 6.88 | 0.62 | 0.66 | 1.70 | 1.48 | 0.50 | 1/4-18 NPT |
| 20,000           | 8.12  | 4.06 | 1.44 | 1.12 | 0.62 | 6.88 | 0.84 | 0.66 | 1.95 | 1.48 | 0.50 | 1/4-18 NPT |
| 30,000 to 60,000 | 10.25 | 5.12 | 1.88 | 2.37 | 0.88 | 8.50 | 1.00 | 1.06 | 3.20 | 2.73 | 1.00 | 1/2-14 NPT |
| 100,000          | 11.25 | 5.62 | 1.88 | 2.50 | 0.88 | 9.50 | 1.00 | 1.06 | 3.50 | 3.24 | 1.50 | 1/2-14 NPT |
| 150,000          | 11.25 | 5.62 | 1.88 | 2.80 | 0.88 | 9.50 | 1.25 | 1.06 | 3.90 | 3.64 | 1.50 | 1/2-14 NPT |



Interchangeable Products

RICE LAKE WEIGHING SYSTEMS  
**RL70000SS**  
VPG® REVERSE  
**9103**

Weigh Module Available

RICE LAKE WEIGHING SYSTEMS  
**EZ Mount 1 SS**

Specifications

- Full Scale Output:** 3.0 mV/V
- Output Resistance:** 700 (± 5) ohm
- Input Resistance:** 700 (± 10) ohm
- Material/Finish:** Stainless steel
- Temperature:** Operating range 14 °F to 104 °F (-10 °C to 40 °C)
- Seal Type:** Environmentally sealed, IP67
- Safe Overload:** 150% full scale
- Rated Excitation:** 5 to 10 VDC
- Combined Error:** 0.02% full scale
- Insulation Resistance:** 5,000 megohm
- Cable Length:** 30 ft polyurethane jacket
- Cable Color Code:** Red +Excitation, Black -Excitation, Green +Signal, White -Signal
- Warranty:** Two-year limited
- Approvals:** NTEP 21-064, cFMus





Picture is a representation of actual product.

### Approvals

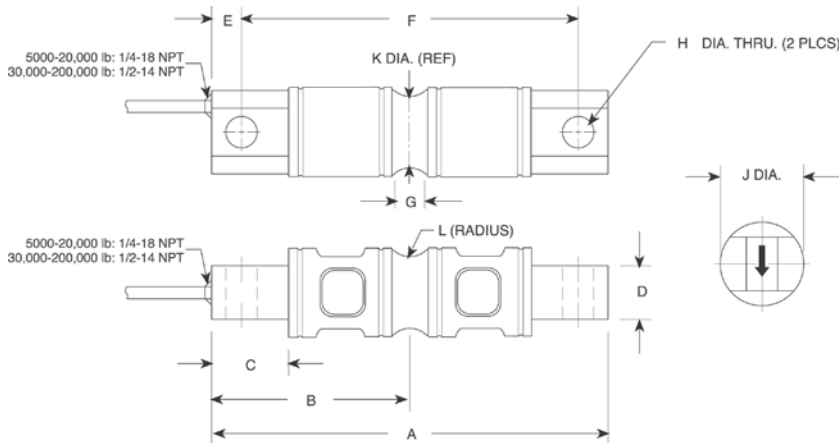


### Order Information

| Load Rating | Part # | Est. Weight | Price      |
|-------------|--------|-------------|------------|
| 5,000 lb    | 201769 | 5 lb        | \$720.00   |
| 10,000 lb   | 201770 | 6 lb        | \$720.00   |
| 20,000 lb   | 201771 | 7 lb        | \$720.00   |
| 30,000 lb   | 201772 | 18 lb       | \$826.00   |
| 40,000 lb   | 201773 | 18 lb       | \$826.00   |
| 50,000 lb   | 201774 | 18 lb       | \$826.00   |
| 60,000 lb   | 201775 | 18 lb       | \$826.00   |
| 100,000 lb  | 201776 | 28 lb       | \$1,615.00 |
| 150,000 lb  | 201777 | 34 lb       | \$1,615.00 |
| 200,000 lb  | 201778 | 90 lb       | \$2,990.00 |
| 250,000 lb  | 201779 | 93 lb       | \$2,990.00 |

### Dimensions

| Rated Capacity     | A     | B    | C    | D    | E    | F     | G    | H    | J    | K    | L    |
|--------------------|-------|------|------|------|------|-------|------|------|------|------|------|
| 5,000-10,000 lb/in | 8.12  | 4.06 | 1.44 | 1.12 | 0.62 | 6.88  | 0.62 | 0.66 | 1.70 | 1.48 | 0.50 |
| 20,000             | 8.12  | 4.06 | 1.44 | 1.12 | 0.62 | 6.88  | 0.84 | 0.66 | 1.95 | 1.48 | 0.50 |
| 30,000-60,000      | 10.25 | 5.12 | 1.88 | 2.37 | 0.88 | 8.50  | 1.00 | 1.06 | 3.20 | 2.73 | 1.00 |
| 100,000            | 11.25 | 5.62 | 1.88 | 2.50 | 0.88 | 9.50  | 1.00 | 1.06 | 3.50 | 3.24 | 1.50 |
| 150,000            | 11.25 | 5.62 | 1.88 | 2.80 | 0.88 | 9.50  | 1.25 | 1.06 | 3.90 | 3.64 | 1.50 |
| 200,000-250,000    | 16.10 | 8.05 | 3.05 | 4.60 | 1.55 | 13.00 | 1.30 | 1.56 | 5.38 | 5.17 | 2.00 |



### Interchangeable Products

RICE LAKE WEIGHING SYSTEMS

**RL70000\***

RICE LAKE WEIGHING SYSTEMS

**RL70000 Painted**

VPG® REVERE

**5103\***

ARTECH®

**70210**

METTLER-TOLEDO®

**SLD 430**

### Weigh Module Available

RICE LAKE WEIGHING SYSTEMS

**EZ Mount 1**

\*Cell is unpainted

### Specifications

#### Full Scale Output:

3.0 mV/V

#### Output Resistance:

5 to 10 k: 703 (± 4) ohm  
 20 to 150 k: 700 (± 5) ohm  
 200 to 250 k: 700 (± 5) ohm

#### Input Resistance:

5 to 10 k: 700 (± 14) ohm  
 20 to 150 k: 770 (± 10) ohm  
 200 to 250 k: 700 (± 14) ohm

#### Material/Finish:

High-alloy steel, nickel plated

#### Temperature:

Compensated range  
 14 °F to 104 °F (-10 °C to 40 °C)  
 Operating range  
 0 °F to 150 °F (-18 °C to 65 °C)

#### Seal Type:

Environmentally sealed, IP67

#### Safe Overload:

150% full scale

#### Safe Sideload:

100% full scale

#### Rated Excitation:

5 to 10 VDC (15 V maximum)

#### Combined Error:

0.02% full scale

#### Insulation Resistance:

5,000 megohm

#### Deflection at Capacity:

5,000 lb: 0.02 in  
 10,000 lb: 0.025 in  
 20,000 lb: 0.042 in  
 30,000 to 50,000 lb: 0.02 in  
 60,000 lb: 0.025 in  
 100,000 lb: 0.02 in

#### Cable Length:

30 ft

#### Cable Diameter:

5,000 to 20,000 lb: 0.200 in  
 30,000 to 250,000 lb: 0.305 in  
 Polyurethane jacket

#### Cable Color Code:

Red +Excitation  
 Black -Excitation  
 Green +Signal  
 White -Signal

#### Warranty:

Two-year limited

#### Approvals:

cFMus  
 NTEP 21-064

DOUBLE-ENDED BEAM  
**RL72019SS**

Stainless Steel, Environmentally Sealed, IP68

LOAD CELLS /  
 WEIGH MODULES



Picture is a representation of actual product.

Approvals

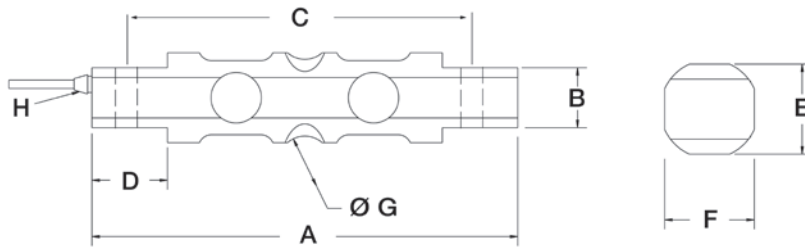


Order Information

| Load Rating | Part # | Est. Weight | Price      |
|-------------|--------|-------------|------------|
| 5,000 lb    | 194021 | 5 lb        | \$1,160.00 |
| 10,000 lb   | 194022 | 5 lb        | \$1,160.00 |
| 20,000 lb   | 194023 | 5 lb        | \$1,160.00 |
| 30,000 lb   | 194024 | 20 lb       | \$1,585.00 |
| 40,000 lb   | 194025 | 20 lb       | \$1,585.00 |
| 50,000 lb   | 194026 | 20 lb       | \$1,585.00 |
| 60,000 lb   | 194027 | 20 lb       | \$1,585.00 |

Dimensions

| Rated Capacity   | A     | B    | C    | D    | E    | F    | ØG   | H          |
|------------------|-------|------|------|------|------|------|------|------------|
| lb/in            |       |      |      |      |      |      |      |            |
| 5,000 to 20,000  | 8.12  | 1.14 | 6.88 | 1.44 | 1.71 | 1.71 | 1.00 | 1/4-18 NPT |
| 30,000 to 60,000 | 10.25 | 2.38 | 8.50 | 1.88 | 3.03 | 3.03 | 2.00 | 1/2-14 NPT |



Interchangeable Products

RICE LAKE WEIGHING SYSTEMS  
**RL70000SS**  
 VPG® REVERSE  
**9103**

Weigh Module Available

RICE LAKE WEIGHING SYSTEMS  
**EZ Mount 1 SS**

Specifications

- Full Scale Output:**  
3.0 mV/V
- Output Resistance:**  
700 (± 5) ohm
- Input Resistance:**  
780 (± 10) ohm
- Material/Finish:**  
Stainless steel
- Temperature:**  
Operating range  
0 °F to 150 °F (-18 °C to 65 °C)
- Seal Type:**  
Welded-seal, IP68
- Safe Overload:**  
150% full scale
- Rated Excitation:**  
5 to 10 VDC
- Nonlinearity:**  
0.03% full scale
- Hysteresis:**  
0.5% full scale
- Insulation Resistance:**  
5,000 megohm
- Cable Length:**  
25 ft
- Cable Color Code:**  
Red +Excitation  
Black -Excitation  
Green +Signal  
White -Signal
- Warranty:**  
Two-year limited
- Approvals:**  
cFMus  
NTEP 21-064

**Discontinued**  
Limited Stock Available

DOUBLE-ENDED BEAM  
**RL70000**

Alloy Steel, Environmentally Sealed, NTEP Certified 1:10,000 Class IIIIL Multiple Cell, IP67



Picture is a representation of actual product.

**Approvals**

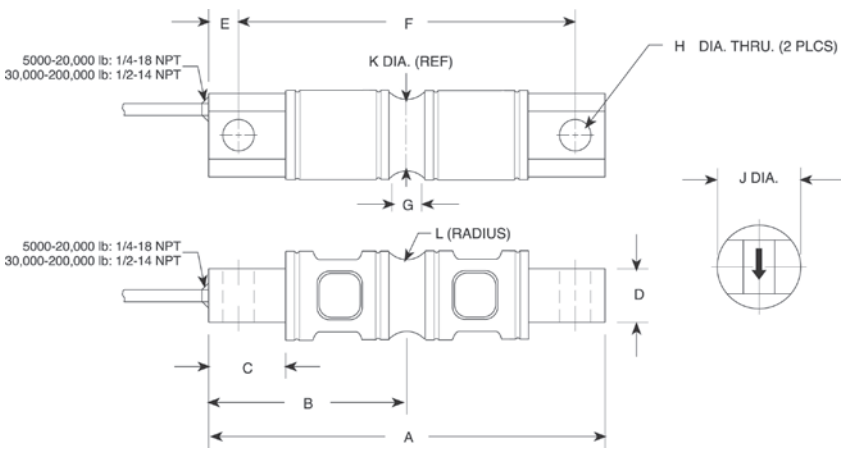


**Order Information**

| Load Rating | Part # | Est. Weight | Price      |
|-------------|--------|-------------|------------|
| 5,000 lb    | 36263  | 5 lb        | \$695.00   |
| 10,000 lb   | 36264  | 6 lb        | \$695.00   |
| 20,000 lb   | 36265  | 7 lb        | \$695.00   |
| 30,000 lb   | 36266  | 18 lb       | \$800.00   |
| 40,000 lb   | 36267  | 18 lb       | \$800.00   |
| 50,000 lb   | 36268  | 18 lb       | \$800.00   |
| 60,000 lb   | 36269  | 18 lb       | \$800.00   |
| 100,000 lb  | 36270  | 28 lb       | \$1,563.00 |
| 150,000 lb  | 36976  | 34 lb       | \$1,563.00 |
| 200,000 lb  | 36977  | 90 lb       | \$2,940.00 |
| 250,000 lb  | 36978  | 93 lb       | \$2,940.00 |

**Dimensions**

| Rated Capacity     | A     | B    | C    | D    | E    | F     | G    | H    | J    | K    | L    |
|--------------------|-------|------|------|------|------|-------|------|------|------|------|------|
| 5,000 to 10,000    | 8.12  | 4.06 | 1.44 | 1.12 | 0.62 | 6.88  | 0.62 | 0.66 | 1.70 | 1.48 | 0.50 |
| 20,000             | 8.12  | 4.06 | 1.44 | 1.12 | 0.62 | 6.88  | 0.84 | 0.66 | 1.95 | 1.48 | 0.50 |
| 30,000 to 60,000   | 10.25 | 5.12 | 1.88 | 2.37 | 0.88 | 8.50  | 1.00 | 1.06 | 3.20 | 2.73 | 1.00 |
| 100,000            | 11.25 | 5.62 | 1.88 | 2.50 | 0.88 | 9.50  | 1.00 | 1.06 | 3.50 | 3.24 | 1.50 |
| 150,000            | 11.25 | 5.62 | 1.88 | 2.80 | 0.88 | 9.50  | 1.25 | 1.06 | 3.90 | 3.64 | 1.50 |
| 200,000 to 250,000 | 16.10 | 8.05 | 3.05 | 4.60 | 1.55 | 13.00 | 1.30 | 1.56 | 5.38 | 5.17 | 2.00 |



**Interchangeable Products**

- RICE LAKE WEIGHING SYSTEMS  
**RL72020**
  - VPG® REVERE®  
**5103\***
  - ARTECH®  
**70210**
  - METTLER-TOLEDO®  
**SLD 430**
- \*Conduit adapter optional

**Weigh Module Available**

- RICE LAKE WEIGHING SYSTEMS  
**EZ Mount 1**

**Specifications**

- Full Scale Output:**  
3.0 mV/V
- Output Resistance:**  
5 to 10 k: 703 (± 4) ohm  
20 to 150 k: 700 (± 5) ohm  
200 to 250 k: 700 (± 5) ohm
- Input Resistance:**  
5 to 10 k: 700 (± 14) ohm  
20 to 150 k: 770 (± 10) ohm  
200 to 250 k: 700 (± 14) ohm
- Material/Finish:**  
High-alloy steel, nickel plated
- Temperature:**  
Compensated range  
14 °F to 104 °F (-10 °C to 40 °C)  
Operating range  
0 °F to 150 °F (-18 °C to 65 °C)
- Seal Type:**  
Environmentally sealed, IP67
- Safe Overload:**  
150% full scale
- Safe Sideload:**  
100% full scale
- Rated Excitation:**  
5 to 10 VDC (15 V maximum)
- Combined Error:**  
0.02% full scale
- Insulation Resistance:**  
5,000 megohm
- Deflection at Capacity:**  
5,000 lb: 0.02 in  
10,000 lb: 0.025 in  
20,000 lb: 0.042 in  
30,000 to 50,000 lb: 0.02 in  
60,000 lb: 0.025 in  
100,000 lb: 0.02 in
- Cable Length:**  
30 ft
- Cable Diameter:**  
5,000 to 20,000 lb: 0.200 in  
30,000 to 250,000 lb: 0.305 in  
Polyurethane jacket
- Cable Color Code:**  
Red +Excitation  
Black -Excitation  
Green +Signal  
White -Signal
- Warranty:**  
Two-year limited
- Approvals:**  
cFMus  
NTEP 97-125

**LOAD CELLS / WEIGH MODULES**

# RL70000 Painted

Alloy Steel, Environmentally Sealed, IP67

LOAD CELLS /  
WEIGH MODULES



Picture is a representation of actual product.

### Approvals

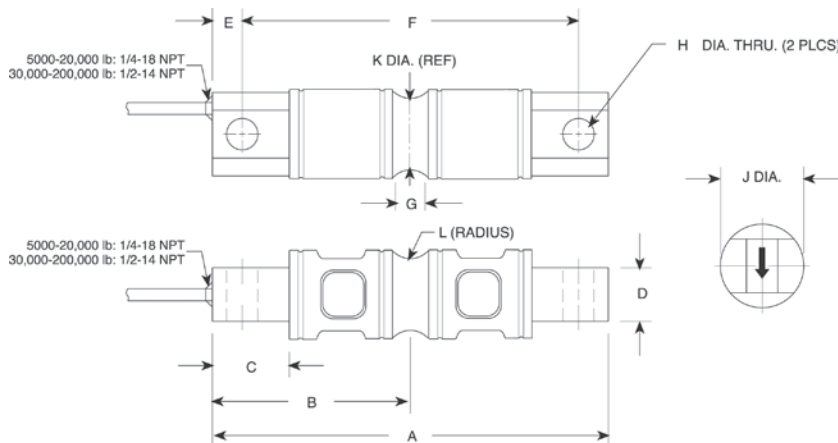


### Order Information

| Load Rating | Part # | Est. Weight | Price      |
|-------------|--------|-------------|------------|
| 5,000 lb    | 198196 | 5 lb        | \$720.00   |
| 10,000 lb   | 198197 | 6 lb        | \$720.00   |
| 20,000 lb   | 198198 | 7 lb        | \$720.00   |
| 30,000 lb   | 198199 | 18 lb       | \$826.00   |
| 40,000 lb   | 198200 | 18 lb       | \$826.00   |
| 50,000 lb   | 198201 | 18 lb       | \$826.00   |
| 60,000 lb   | 198202 | 18 lb       | \$826.00   |
| 100,000 lb  | 198203 | 28 lb       | \$1,615.00 |
| 150,000 lb  | 198204 | 34 lb       | \$1,615.00 |
| 200,000 lb  | 198205 | 90 lb       | \$2,990.00 |
| 250,000 lb  | 198206 | 93 lb       | \$2,990.00 |

### Dimensions

| Rated Capacity     | A     | B    | C    | D    | E    | F     | G    | H    | J    | K    | L    |
|--------------------|-------|------|------|------|------|-------|------|------|------|------|------|
| 5,000 to 10,000    | 8.12  | 4.06 | 1.44 | 1.12 | 0.62 | 6.88  | 0.62 | 0.66 | 1.70 | 1.48 | 0.50 |
| 20,000             | 8.12  | 4.06 | 1.44 | 1.12 | 0.62 | 6.88  | 0.84 | 0.66 | 1.95 | 1.48 | 0.50 |
| 30,000 to 60,000   | 10.25 | 5.12 | 1.88 | 2.37 | 0.88 | 8.50  | 1.00 | 1.06 | 3.20 | 2.73 | 1.00 |
| 100,000            | 11.25 | 5.62 | 1.88 | 2.50 | 0.88 | 9.50  | 1.00 | 1.06 | 3.50 | 3.24 | 1.50 |
| 150,000            | 11.25 | 5.62 | 1.88 | 2.80 | 0.88 | 9.50  | 1.25 | 1.06 | 3.90 | 3.64 | 1.50 |
| 200,000 to 250,000 | 16.10 | 8.05 | 3.05 | 4.60 | 1.55 | 13.00 | 1.30 | 1.56 | 5.38 | 5.17 | 2.00 |



### Interchangeable Products

RICE LAKE WEIGHING SYSTEMS

**RL70000\***

RICE LAKE WEIGHING SYSTEMS

**RL72020\***

RICE LAKE WEIGHING SYSTEMS

**RL72020P**

### Weigh Module Available

RICE LAKE WEIGHING SYSTEMS

**EZ Mount 1**

\*Cells are unpainted

### Specifications

#### Full Scale Output:

3.0 mV/V

#### Output Resistance:

5 to 10 k: 703 (± 4) ohm  
20 to 150 k: 700 (± 5) ohm  
200 to 250 k: 700 (± 5) ohm

#### Input Resistance:

5 to 10 k: 700 (± 14) ohm  
20 to 150 k: 770 (± 10) ohm  
200 to 250 k: 700 (± 14) ohm

#### Material/Finish:

High-alloy steel, nickel plated

#### Temperature:

Compensated range  
14 °F to 104 °F (-10 °C to 40 °C)  
Operating range  
0 °F to 150 °F (-18 °C to 65 °C)

#### Seal Type:

Environmentally sealed, IP67

#### Safe Overload:

150% full scale

#### Safe Sideload:

100% full scale

#### Rated Excitation:

5 to 10 VDC (15 V maximum)

#### Combined Error:

0.02% full scale

#### Insulation Resistance:

5,000 megohm

#### Deflection at Capacity:

5,000 lb: 0.02 in  
10,000 lb: 0.025 in  
20,000 lb: 0.042 in  
30,000 to 50,000 lb: 0.02 in  
60,000 lb: 0.025 in  
100,000 lb: 0.02 in

#### Cable Length:

30 ft

#### Cable Diameter:

5,000 to 20,000 lb: 0.200 in  
30,000 to 250,000 lb: 0.305 in  
Polyurethane jacket

#### Cable Color Code:

Red +Excitation  
Black -Excitation  
Green +Signal  
White -Signal

#### Warranty:

Two-year limited

#### Approvals:

cFMus  
NTEP 97-125



LOAD CELLS / WEIGH MODULES



Picture is a representation of actual product.

**Approvals**

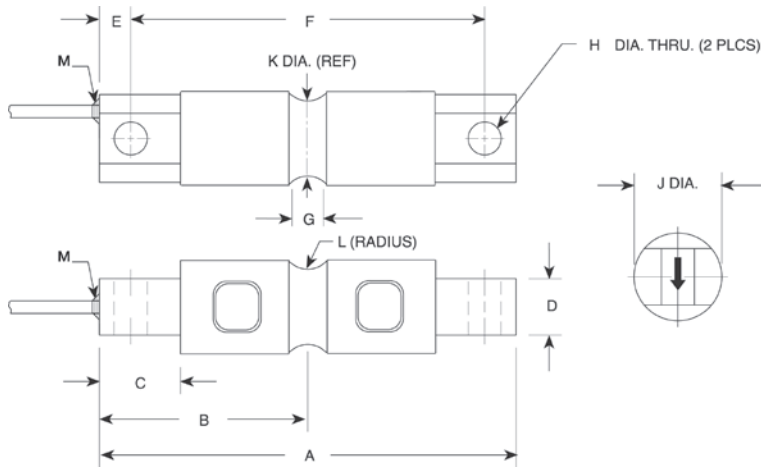


**Order Information**

| Load Rating               | Part # | Est. Weight | Price      |
|---------------------------|--------|-------------|------------|
| <b>NTEP Certified</b>     |        |             |            |
| 10,000 lb                 | 30432  | 5 lb        | \$820.00   |
| 20,000 lb                 | 30433  | 6 lb        | \$820.00   |
| 30,000 lb                 | 30434  | 22 lb       | \$900.00   |
| 40,000 lb                 | 30435  | 22 lb       | \$900.00   |
| 50,000 lb                 | 30436  | 22 lb       | \$1,007.00 |
| 60,000 lb                 | 30437  | 22 lb       | \$1,007.00 |
| 100,000 lb                | 30444  | 30 lb       | \$1,960.00 |
| <b>Non-NTEP Certified</b> |        |             |            |
| 5,000 lb                  | 30431  | 5 lb        | \$768.00   |
| 150,000 lb                | 30445  | 30 lb       | \$1,960.00 |

**Dimensions**

| Rated Capacity   | A     | B    | C    | D    | E    | F    | G    | H    | J    | K    | L    | M          |
|------------------|-------|------|------|------|------|------|------|------|------|------|------|------------|
| lb/in            |       |      |      |      |      |      |      |      |      |      |      |            |
| 5,000 to 10,000  | 8.12  | 4.06 | 1.44 | 1.12 | 0.62 | 6.88 | 0.62 | 0.66 | 1.70 | 1.48 | 0.50 | 1/4-18 NPT |
| 20,000           | 8.12  | 4.06 | 1.44 | 1.12 | 0.62 | 6.88 | 0.84 | 0.66 | 1.95 | 1.48 | 0.50 | 1/4-18 NPT |
| 30,000 to 60,000 | 10.25 | 5.12 | 1.88 | 2.37 | 0.88 | 8.50 | 1.00 | 1.06 | 3.20 | 2.73 | 1.00 | 1/2-14 NPT |
| 100,000          | 11.25 | 5.62 | 1.88 | 2.50 | 0.88 | 9.50 | 1.00 | 1.06 | 3.50 | 3.24 | 1.50 | 1/2-14 NPT |
| 150,000          | 11.25 | 5.62 | 1.88 | 2.80 | 0.88 | 9.50 | 1.25 | 1.06 | 3.90 | 3.64 | 1.50 | 1/2-14 NPT |



**Interchangeable Products**

- RICE LAKE WEIGHING SYSTEMS  
**RL72019SS**
- RICE LAKE WEIGHING SYSTEMS  
**RL72020SS**
- VPG® REVERE  
**9103**
- METTLER TOLEDO®  
**SLD-530**

**Weigh Module Available**

- RICE LAKE WEIGHING SYSTEMS  
**EZ Mount 1**

**Specifications**

- Full Scale Output:**  
3.0 mV/V
- Output Resistance:**  
700 (± 7) ohm
- Input Resistance:**  
700 (± 7) ohm
- Material/Finish:**  
Stainless steel
- Temperature:**  
Compensated range  
0 °F to 150 °F (-18 °C to 65 °C)  
Operating range  
0 °F to 150 °F (-18 °C to 65 °C)
- Seal Type:**  
Environmentally sealed, IP67
- Safe Overload:**  
150% full scale
- Safe Sideload:**  
100% full scale
- Rated Excitation:**  
5 to 10 V AC/DC (15 V max)
- Non-repeatability:**  
0.02% full scale
- Combined Error:**  
0.3% full scale
- Insulation Resistance:**  
5,000 megohm
- Deflection at Capacity:**  
5,000 lb: 0.02 in  
10,000 lb: 0.025 in  
20,000 lb: 0.042 in  
30,000 to 50,000 lb: 0.02 in  
60,000 lb: 0.025 in  
100,000 to 150,000 lb: 0.02 in
- Cable Length:**  
30 ft
- Cable Diameter:**  
0.295 in  
Polyurethane jacket
- Cable Color Code:**  
Red +Excitation  
Black -Excitation  
Green +Signal  
White -Signal
- Warranty:**  
Two-year limited
- Approvals:**  
cFMus  
NTEP 12-050

# RL75016

Alloy Steel, Environmentally Sealed, IP67

LOAD CELLS /  
WEIGH MODULES



Picture is a representation of actual product.

### Approvals



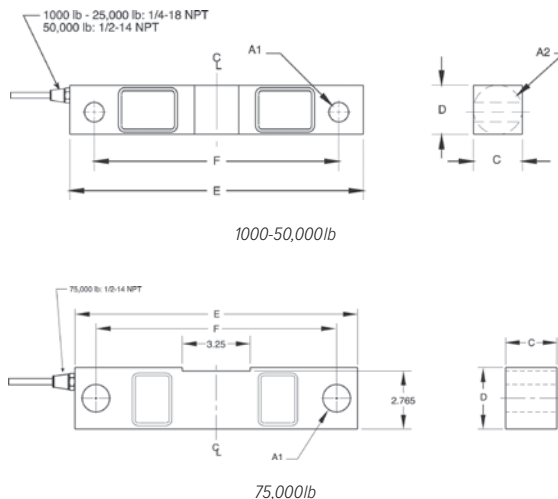
### Order Information

| Load Rating | Part # | Est. Weight | Price    |
|-------------|--------|-------------|----------|
| 1,000 lb    | 17300  | 4 lb        | \$556.00 |
| 1,500 lb    | 17302  | 4 lb        | \$556.00 |
| 2,000 lb    | 17304  | 4 lb        | \$556.00 |
| 2,500 lb    | 17306  | 4 lb        | \$556.00 |
| 3,000 lb    | 17308  | 4 lb        | \$556.00 |
| 5,000 lb    | 17309  | 4 lb        | \$556.00 |
| 10,000 lb   | 17311  | 7 lb        | \$636.00 |
| 15,000 lb   | 17313  | 7 lb        | \$636.00 |
| 20,000 lb   | 17315  | 7 lb        | \$636.00 |
| 25,000 lb   | 17317  | 7 lb        | \$636.00 |
| 50,000 lb   | 17319  | 25 lb       | \$980.00 |
| 75,000 lb*  | 25357  | 25 lb       | \$980.00 |

\*75,000lb capacity has a square center

### Dimensions

| Rated Capacity   | A1   | A2   | C    | D    | E     | F     |
|------------------|------|------|------|------|-------|-------|
| lb/in            |      |      |      |      |       |       |
| 1,000 to 5,000   | 0.50 | 1.25 | 1.25 | 1.25 | 7.50  | 6.25  |
| 10,000 to 25,000 | 0.81 | 1.99 | 1.44 | 1.94 | 8.75  | 7.50  |
| 50,000           | 1.31 | 3.00 | 2.44 | 2.94 | 13.50 | 11.50 |
| 75,000           | 1.31 | —    | 2.44 | 2.94 | 13.50 | 11.50 |



### Interchangeable Products

- VPG® CELTRON
- DSR**
- VPG® SENSORTRONICS®
- 65016**
- VPG® REVERE
- 5203**

### Weigh Module Available

RICE LAKE WEIGHING SYSTEMS  
**RL1600 Series**

### Specifications

**Full Scale Output:**

3.0 mV/V

**Output Resistance:**

700 (± 5) ohm

**Input Resistance:**

770 (± 10) ohm

**Material/Finish:**

High-alloy steel, nickel plated

**Temperature:**

Operating range  
0 °F to 150 °F (-18 °C to 65 °C)

**Seal Type:**

Environmentally sealed, IP67

**Safe Overload:**

150% full scale

**Safe Sideload:**

100% full scale

**Rated Excitation:**

5 to 10 VDC (15 V maximum)

**Nonlinearity:**

0.03% full scale

**Hysteresis:**

0.02% full scale

**Deflection at Capacity:**

1,000 to 3,000 lb: 0.01 in  
5,000 lb: 0.015 in  
10,000 to 20,000 lb: 0.022 in  
25,000 lb: 0.036 in  
50,000 lb: 0.052 in  
75,000 lb: 0.07 in

**Insulation Resistance:**

5,000 megohm

**Cable Length:**

25 ft

**Cable Diameter:**

1,000 to 25,000 lb: 0.200 in  
50,000 to 75,000 lb: 0.305 in Polyurethane jacket

**Cable Color Code:**

Red +Excitation  
Black -Excitation  
Green +Signal  
White -Signal

**Warranty:**

Two-year limited



Picture is a representation of actual product.

**Approvals**



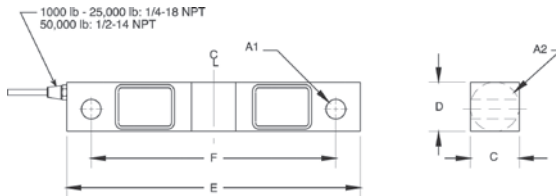
**Order Information**

| Load Rating | Part #        | Est. Weight | Price      |
|-------------|---------------|-------------|------------|
| 1,000 lb    | <b>187058</b> | 4 lb        | \$583.00   |
| 1,500 lb    | <b>187059</b> | 4 lb        | \$583.00   |
| 2,000 lb    | <b>187060</b> | 4 lb        | \$583.00   |
| 2,500 lb    | <b>187061</b> | 4 lb        | \$583.00   |
| 3,000 lb    | <b>187062</b> | 4 lb        | \$583.00   |
| 5,000 lb    | <b>187063</b> | 4 lb        | \$583.00   |
| 10,000 lb   | <b>187064</b> | 7 lb        | \$662.00   |
| 15,000 lb   | <b>187065</b> | 7 lb        | \$662.00   |
| 20,000 lb   | <b>187066</b> | 7 lb        | \$662.00   |
| 25,000 lb   | <b>187067</b> | 7 lb        | \$662.00   |
| 50,000 lb   | <b>187068</b> | 25 lb       | \$1,007.00 |
| 75,000 lb*  | <b>187069</b> | 25 lb       | \$1,007.00 |

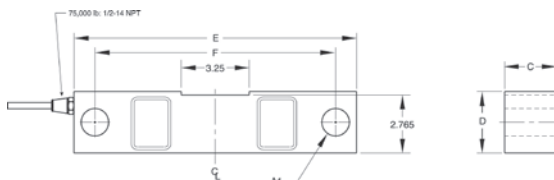
\*75,000lb capacity has a square center

**Dimensions**

| Rated Capacity   | A1   | A2   | C    | D    | E     | F     |
|------------------|------|------|------|------|-------|-------|
| lb/in            |      |      |      |      |       |       |
| 1,000 to 5,000   | 0.50 | 1.25 | 1.25 | 1.25 | 7.50  | 6.25  |
| 10,000 to 25,000 | 0.81 | 1.99 | 1.44 | 1.94 | 8.75  | 7.50  |
| 50,000           | 1.31 | 3.00 | 2.44 | 2.94 | 13.50 | 11.50 |
| 75,000           | 1.31 | —    | 2.44 | 2.94 | 13.50 | 11.50 |



1000-50,000lb



75,000lb

**Interchangeable Products**

RICE LAKE WEIGHING SYSTEMS

**RL75016\*** (Alloy)

VPG® CELTRON

**DSR\*** (Alloy)

VPG® SENSORTRONICS®

**65016\*** (Alloy)

**Weigh Module Available**

RICE LAKE WEIGHING SYSTEMS

**RL1600 Series**

\*Cells are unpainted

**Specifications**

**Full Scale Output:**

3.0 mV/V

**Output Resistance:**

700 (± 5) ohm

**Input Resistance:**

770 (± 10) ohm

**Material/Finish:**

High-alloy steel, nickel plated, painted

**Temperature:**

Operating range  
 0 °F to 150 °F (-18 °C to 65 °C)

**Seal Type:**

Environmentally sealed, IP67

**Safe Overload:**

150% full scale

**Safe Sideload:**

100% full scale

**Rated Excitation:**

5 to 10 VDC (15 V maximum)

**Nonlinearity:**

0.03% full scale

**Hysteresis:**

0.02% full scale

**Insulation Resistance:**

5,000 megohm

**Cable Length:**

25 ft

**Cable Color Code:**

Red +Excitation  
 Black -Excitation  
 Green +Signal  
 White -Signal

**Warranty:**

Two-year limited

**Approvals:**

cFMus

DOUBLE-ENDED BEAM  
**RL75016SS**

Stainless Steel, Environmentally Sealed, IP67

LOAD CELLS /  
WEIGH MODULES



Picture is a representation of actual product.

Approvals



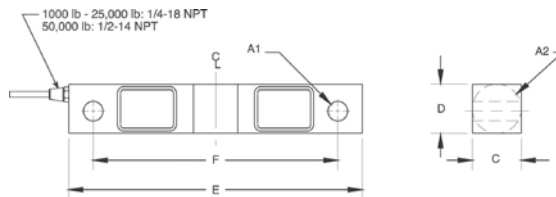
Order Information

| Load Rating | Part # | Est. Weight | Price      |
|-------------|--------|-------------|------------|
| 1,000 lb    | 17301  | 4 lb        | \$583.00   |
| 1,500 lb    | 17303  | 4 lb        | \$583.00   |
| 2,000 lb    | 17305  | 4 lb        | \$583.00   |
| 2,500 lb    | 17307  | 4 lb        | \$583.00   |
| 5,000 lb    | 17310  | 4 lb        | \$583.00   |
| 10,000 lb   | 17312  | 7 lb        | \$662.00   |
| 15,000 lb   | 17314  | 7 lb        | \$662.00   |
| 20,000 lb   | 17316  | 7 lb        | \$662.00   |
| 25,000 lb   | 17318  | 7 lb        | \$662.00   |
| 50,000 lb   | 17320  | 25 lb       | \$1,298.00 |
| 75,000 lb*  | 25356  | 27 lb       | \$1,298.00 |

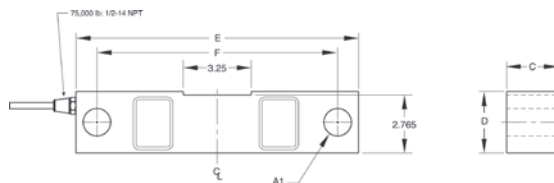
\*75,000lb capacity has a square center

Dimensions

| Rated Capacity   | A1   | A2   | C    | D    | E     | F     |
|------------------|------|------|------|------|-------|-------|
| lb/in            |      |      |      |      |       |       |
| 1,000 to 5,000   | 0.50 | 1.25 | 1.25 | 1.25 | 7.50  | 6.25  |
| 10,000 to 25,000 | 0.81 | 1.99 | 1.44 | 1.94 | 8.75  | 7.50  |
| 50,000           | 1.31 | 3.00 | 2.44 | 2.94 | 13.50 | 11.50 |
| 75,000           | 1.31 | —    | 2.44 | 2.94 | 13.50 | 11.50 |



1000-50,000lb



75,000lb

Interchangeable Products

RICE LAKE WEIGHING SYSTEMS

**RL75016WHE\***

VPG® SENSORTRONICS®

**65016W**

VPG® SENSORTRONICS

**65016WH\***

VPG® REVERE

**9203**

Weigh Module Available

SURVIVOR®

**RL1600 HE Series**

\*Hermetically sealed

Specifications

**Full Scale Output:**

3.0 mV/V

**Output Resistance:**

700 (± 5) ohm

**Input Resistance:**

770 (± 10) ohm

**Material/Finish:**

Stainless steel

**Temperature:**

Operating range  
0 °F to 150 °F (-18 °C to 65 °C)

**Seal Type:**

Environmentally sealed, IP67

**Safe Overload:**

150% full scale

**Safe Sideload:**

100% full scale

**Rated Excitation:**

5 to 10 VDC (15 V maximum)

**Nonlinearity:**

0.07% full scale

**Hysteresis:**

0.02% full scale

**Cable Diameter:**

1,000 to 25,000 lb: 0.200 in  
50,000 to 75,000 lb: 0.305 in Polyurethane jacket

**Deflection at Capacity:**

1,000 to 3,000 lb: 0.01 in  
5,000 lb: 0.015 in  
10,000 to 20,000 lb: 0.022 in  
25,000 lb: 0.036 in  
50,000 lb: 0.052 in  
75,000 lb: 0.07 in

**Insulation Resistance:**

5,000 megohm

**Cable Length:**

25 ft

**Cable Color Code:**

Red +Excitation  
Black -Excitation  
Green +Signal  
White -Signal

**Warranty:**

Two-year limited

**Approvals:**

cFMus



DOUBLE-ENDED BEAM  
**RL75016SS-W**  
 Stainless Steel, Welded Seal, IP67

LOAD CELLS / WEIGH MODULES



Picture is a representation of actual product.

**Interchangeable Products**

- RICE LAKE WEIGHING SYSTEMS  
**RL75016SS**
- RICE LAKE WEIGHING SYSTEMS  
**RL75016WHE**

**Specifications**

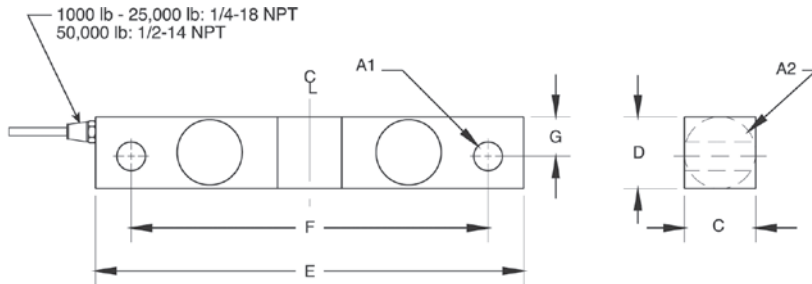
- Full Scale Output:**  
3.0 mV/V
- Output Resistance:**  
700 (± 5) ohm
- Input Resistance:**  
770 (± 10) ohm
- Material/Finish:**  
Stainless steel
- Temperature:**  
Operating range  
0 °F to 150 °F (-18 °C to 65 °C)
- Seal Type:**  
Welded-seal, IP67
- Safe Overload:**  
100% full scale
- Rated Excitation:**  
5 to 10 VDC (15 V max)
- Hysteresis:**  
0.02% full scale
- Linearity:**  
0.03% full scale
- Cable Length:**  
25 ft
- Cable Color Code:**  
Red +Excitation  
Black -Excitation  
Green +Signal  
White -Signal
- Warranty:**  
Two-year limited

**Order Information**

| Load Rating | Part #        | Est. Weight | Price      |
|-------------|---------------|-------------|------------|
| 1,000 lb    | <b>168114</b> | 5 lb        | \$630.00   |
| 5,000 lb    | <b>168115</b> | 5 lb        | \$630.00   |
| 10,000 lb   | <b>168116</b> | 7 lb        | \$715.00   |
| 15,000 lb   | <b>168117</b> | 7 lb        | \$715.00   |
| 20,000 lb   | <b>168118</b> | 7 lb        | \$715.00   |
| 25,000 lb   | <b>168119</b> | 7 lb        | \$715.00   |
| 50,000 lb   | <b>168120</b> | 33 lb       | \$1,372.00 |

**Dimensions**

| Rated Capacity   | A1   | A2   | C    | D    | E     | F     | G    |
|------------------|------|------|------|------|-------|-------|------|
| lb/in            |      |      |      |      |       |       |      |
| 1,000 to 5,000   | 0.50 | 1.25 | 1.25 | 1.25 | 7.50  | 6.25  | 0.69 |
| 10,000 to 25,000 | 0.81 | 1.99 | 1.44 | 1.94 | 8.75  | 7.50  | 0.96 |
| 50,000           | 1.31 | 3.00 | 2.44 | 2.94 | 13.50 | 11.50 | 1.50 |



# RL75016WHE

Stainless Steel, Hermetically Sealed, IP69K

LOAD CELLS /  
WEIGH MODULES



Picture is a representation of actual product.

### Approvals

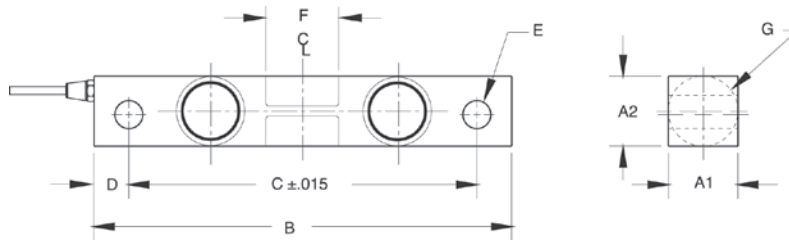


### Order Information

| Load Rating | Part # | Est. Weight | Price    |
|-------------|--------|-------------|----------|
| 1,000 lb    | 67043  | 4 lb        | \$736.00 |
| 1,500 lb    | 67044  | 4 lb        | \$736.00 |
| 2,000 lb    | 67045  | 4 lb        | \$736.00 |
| 2,500 lb    | 67046  | 4 lb        | \$736.00 |
| 5,000 lb    | 67047  | 4 lb        | \$736.00 |
| 10,000 lb   | 67048  | 7 lb        | \$832.00 |
| 15,000 lb   | 67049  | 7 lb        | \$832.00 |
| 20,000 lb   | 67050  | 7 lb        | \$832.00 |
| 25,000 lb   | 67051  | 7 lb        | \$832.00 |

### Dimensions

| Rated Capacity   | A1   | A2   | B    | C    | D    | E    | F    | G    | CONDUIT ADAPTER |
|------------------|------|------|------|------|------|------|------|------|-----------------|
| 1,000 to 5,000   | 1.22 | 1.22 | 7.50 | 6.25 | 0.62 | 0.50 | 1.12 | 1.25 | 1/2-14 NPT      |
| 10,000 to 25,000 | 1.44 | 1.94 | 8.75 | 7.50 | 0.62 | 0.81 | 1.62 | 1.99 | 1/2-14 NPT      |



### Interchangeable Products

RICE LAKE WEIGHING SYSTEMS

**RL75016SS\***

RICE LAKE WEIGHING SYSTEMS

**RL75016SS-W\***

VPG® SENSORTRONICS®

**65016W\***

VPG® SENSORTRONICS

**65016WH**

### Weigh Module Available

RICE LAKE WEIGHING SYSTEMS

**RL1600 Series**

\*Welded-seal

### Specifications

#### Full Scale Output:

3.0 mV/V

#### Output Resistance:

699 to 707 ohm

#### Input Resistance:

686 to 714 ohm

#### Material/Finish:

Stainless steel

#### Temperature:

Operating range  
0 °F to 150 °F (-18 °C to 65 °C)

#### Seal Type:

Hermetically sealed, IP69K

#### Safe Overload:

150% full scale

#### Safe Sideload:

100% full scale

#### Rated Excitation:

5 to 10 VDC (15 V maximum)

#### Combined Error:

0.03% full scale

#### Insulation Resistance:

2,000 megohm

#### Cable Length:

25 ft

#### Cable Diameter:

0.200 in

Polyurethane jacket

#### Cable Color Code:

Red +Excitation

Black -Excitation

Green +Signal

White -Signal

#### Warranty:

Two-year limited

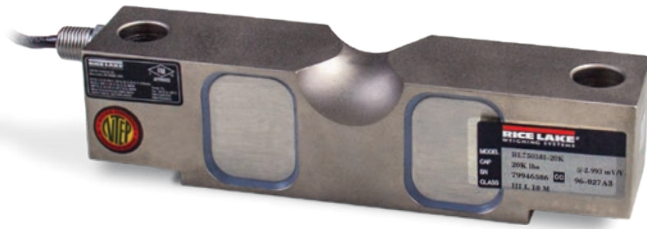
#### Approvals:

cFMus

**Discontinued**

DOUBLE-ENDED BEAM  
**RL75058I**

Alloy Steel, Environmentally Sealed, NTEP Certified 1:10,000 Class IIIIL Multiple Cell, IP67



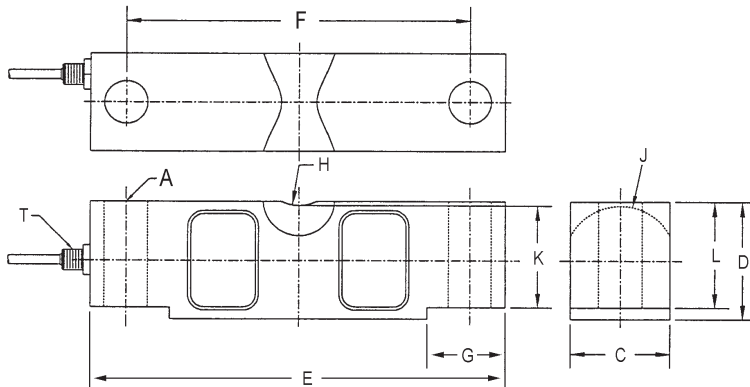
Picture is a representation of actual product.

**Approvals**



**Dimensions**

| Rated Capacity     | A    | C    | D    | E     | F     | G    | H    | J    | K    | L    | T          |
|--------------------|------|------|------|-------|-------|------|------|------|------|------|------------|
| lb/in              |      |      |      |       |       |      |      |      |      |      |            |
| 10,000 to 25,000   | 0.68 | 1.69 | 1.94 | 7.75  | 6.50  | 1.38 | 0.75 | 0.90 | 1.63 | 1.70 | 1/4-18 NPT |
| 40,000             | 0.81 | 1.94 | 2.44 | 10.25 | 8.50  | 1.93 | 1.00 | 1.12 | 2.00 | 2.10 | 1/4-18 NPT |
| 50,000 to 75,000   | 1.06 | 2.44 | 2.94 | 10.25 | 8.50  | 1.93 | 1.00 | 1.37 | 2.54 | 2.65 | 1/2-14 NPT |
| 100,000 to 125,000 | 1.62 | 2.90 | 3.86 | 15.25 | 12.75 | 3.13 | 1.50 | 1.80 | 3.30 | 3.43 | 1/2-14 NPT |



**Interchangeable Products**

RICE LAKE WEIGHING SYSTEMS  
**RL75058-LP**  
VPG® SENSORTRONICS®  
**65058A**  
VPG® CELTRON  
**CLB**

**Weigh Module Available**

RICE LAKE WEIGHING SYSTEMS  
**RL2100HE**  
RICE LAKE WEIGHING SYSTEMS  
**MVS**

**Specifications**

**Full Scale Output:**  
3.0 mV/V

**Output Resistance:**  
700 (± 5) ohm

**Input Resistance:**  
770 (± 10) ohm

**Material/Finish:**  
High-alloy steel, nickel plated

**Temperature:**  
Compensated range  
14 °F to 104 °F (-10 °C to 40 °C)  
Operating range  
0 °F to 150 °F (-18 °C to 65 °C)

**Seal Type:**  
Environmentally sealed, IP67

**Safe Overload:**  
150% full scale

**Safe Sideload:**  
100% full scale

**Rated Excitation:**  
5 to 10 VDC (15 V maximum)

**Combined Error:**  
0.02% full scale

**Insulation Resistance:**  
5,000 megohm

**Cable Length:**  
35 ft

**Cable Diameter:**  
10,000 to 25,000 lb: 0.200 in  
40,000 to 125,000 lb: 0.305 in  
Polyurethane jacket

**Cable Coloring Code:**  
Red +Excitation  
Black -Excitation  
Green +Signal  
White -Signal

**Warranty:**  
Two-year limited

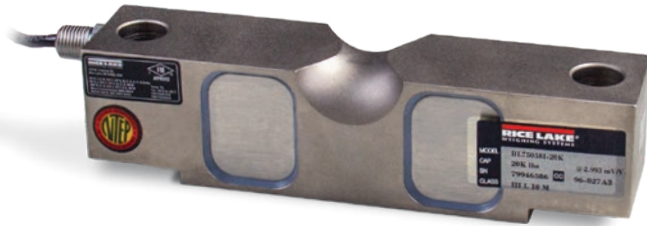
**Approvals:**  
cFMus  
NTEP 98-143

LOAD CELLS /  
WEIGH MODULES

# RL75058I for Rice Lake Coil Scale

Alloy Steel, Environmentally Sealed, NTEP Certified 1:5,000 Class III Multiple Cell, IP67

LOAD CELLS /  
WEIGH MODULES



Picture is a representation of actual product.

### Approvals

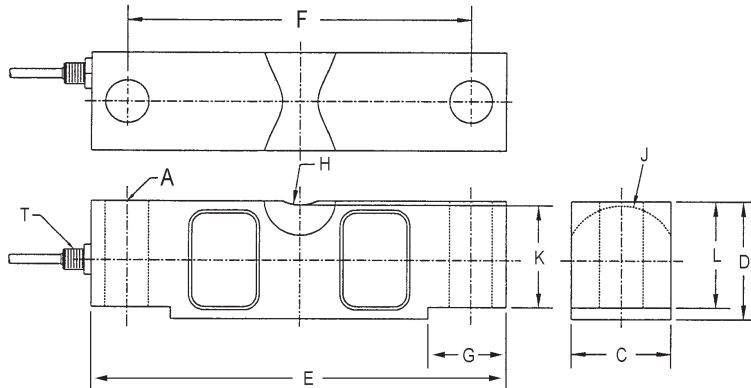


### Order Information

| Load Rating | Part # | Est. Weight | Price    |
|-------------|--------|-------------|----------|
| 20,000 lb   | 121439 | 8 lb        | \$673.00 |
| 25,000 lb   | 121440 | 8 lb        | \$673.00 |
| 40,000 lb   | 121441 | 13 lb       | \$805.00 |
| 50,000 lb   | 121442 | 19 lb       | \$885.00 |
| 60,000 lb   | 121443 | 19 lb       | \$885.00 |
| 75,000 lb   | 121444 | 19 lb       | \$885.00 |

### Dimensions

| Rated Capacity   | A    | C    | D    | E     | F    | G    | H    | J    | K    | L    | T          |
|------------------|------|------|------|-------|------|------|------|------|------|------|------------|
| lb/in            |      |      |      |       |      |      |      |      |      |      |            |
| 20,000 to 25,000 | 0.68 | 1.69 | 1.94 | 7.75  | 6.50 | 1.38 | 0.75 | 0.90 | 1.63 | 1.70 | 1/4-18 NPT |
| 40,000           | 0.81 | 1.94 | 2.44 | 10.25 | 8.50 | 1.93 | 1.00 | 1.12 | 2.00 | 2.10 | 1/4-18 NPT |
| 50,000 to 75,000 | 1.06 | 2.44 | 2.94 | 10.25 | 8.50 | 1.93 | 1.00 | 1.37 | 2.54 | 2.65 | 1/2-14 NPT |



### Specifications

- Full Scale Output:**  
3.0 mV/V
- Output Resistance:**  
699 to 707 ohm
- Input Resistance:**  
686 to 714 ohm
- Material/Finish:**  
High-alloy steel, nickel plated
- Temperature:**  
Compensated range  
14 °F to 104 °F/-10 °C to 40 °C  
Operating range  
0 °F to 150 °F/-18 °C to 65 °C
- Seal Type:**  
Environmentally sealed, IP67
- Safe Overload:**  
150% full scale
- Safe Sideload:**  
100% full scale
- Rated Excitation:**  
5 to 10 VDC (15 V maximum)
- Combined Error:**  
0.02% full scale
- Insulation Resistance:**  
5,000 megohm
- Cable Length:**  
35 ft
- Cable Diameter:**  
20,000 lb: 0.200 in  
40,000 to 75,000 lb: 0.305 in  
Polyurethane jacket
- Cable Coloring Code:**  
Red +Excitation  
Black -Excitation  
Green +Signal  
White -Signal
- Warranty:**  
Two-year limited
- Approvals:**  
cFMus  
NTEP 98-143



Alloy Steel, Environmentally Sealed, NTEP Certified 1:10,000 Class IIIIL Multiple Cell, IP67

# DOUBLE-ENDED BEAM RL75058-LP



Picture is a representation of actual product.

### Approvals



### Order Information

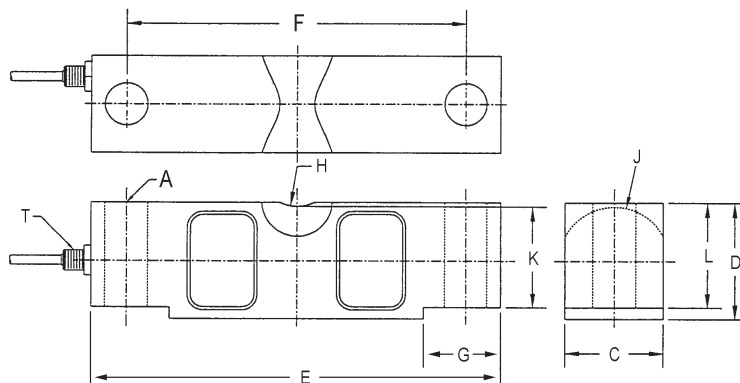
| Load Rating                           | Part # | Est. Weight | Price      |
|---------------------------------------|--------|-------------|------------|
| <b>NTEP Certified 35 ft Cable</b>     |        |             |            |
| 20,000 lb                             | 197770 | 8 lb        | \$673.00   |
| 25,000 lb                             | 197771 | 8 lb        | \$673.00   |
| 40,000 lb                             | 197772 | 13 lb       | \$805.00   |
| 50,000 lb                             | 197773 | 19 lb       | \$885.00   |
| 60,000 lb                             | 197774 | 19 lb       | \$885.00   |
| 75,000 lb                             | 197775 | 19 lb       | \$885.00   |
| 100,000 lb                            | 197776 | 40 lb       | \$1,669.00 |
| 125,000 lb                            | 197777 | 40 lb       | \$1,669.00 |
| <b>Non-NTEP Certified 35 ft Cable</b> |        |             |            |
| 10,000 lb                             | 197769 | 8 lb        | \$652.00   |
| <b>NTEP Certified 60 ft Cable</b>     |        |             |            |
| 50,000 lb                             | 197778 | 20 lb       | \$948.00   |
| 75,000 lb**                           | 197781 | 20 lb       | \$948.00   |
| 75,000 lb*                            | 197782 | 20 lb       | \$1,055.00 |
| 125,000 lb                            | 197779 | 40 lb       | \$1,722.00 |
| <b>NTEP Certified 100 ft Cable</b>    |        |             |            |
| 75,000 lb                             | 197780 | 22 lb       | \$1,055.00 |

\*Stainless steel overbraid cable

\*\*Used in Rice Lake truck scales

### Dimensions

| Rated Capacity     | A    | C    | D    | E     | F     | G    | H    | J    | K    | L    | T          |
|--------------------|------|------|------|-------|-------|------|------|------|------|------|------------|
| 10,000 to 25,000   | 0.68 | 1.69 | 1.94 | 7.75  | 6.50  | 1.38 | 0.75 | 0.90 | 1.63 | 1.70 | 1/4-18 NPT |
| 40,000             | 0.81 | 1.94 | 2.44 | 10.25 | 8.50  | 1.93 | 1.00 | 1.12 | 2.00 | 2.10 | 1/4-18 NPT |
| 50,000 to 75,000   | 1.06 | 2.44 | 2.94 | 10.25 | 8.50  | 1.93 | 1.00 | 1.37 | 2.54 | 2.65 | 1/2-14 NPT |
| 100,000 to 125,000 | 1.62 | 2.90 | 3.86 | 15.25 | 12.75 | 3.13 | 1.50 | 1.80 | 3.30 | 3.43 | 1/2-14 NPT |



### Interchangeable Products

VPG® SENSORTRONICS®  
**65058A**  
VPG® CELTRON  
**CLB**

### Weigh Module Available

RICE LAKE WEIGHING SYSTEMS  
**RL2100HE**  
RICE LAKE WEIGHING SYSTEMS  
**MVS**

### Specifications

#### Full Scale Output:

3.0 mV/V

#### Output Resistance:

700 (± 5) ohm

#### Input Resistance:

770 (± 10) ohm

#### Material/Finish:

High-alloy steel, nickel plated

#### Temperature:

Compensated range

14 °F to 104 °F (-10 °C to 40 °C)

Operating range

0 °F to 150 °F (-18 °C to 65 °C)

#### Seal Type:

Environmentally sealed, IP67

#### Safe Overload:

150% full scale

#### Safe Sideload:

100% full scale

#### Rated Excitation:

5 to 10 VDC (15 V maximum)

#### Combined Error:

0.02% full scale

#### Insulation Resistance:

5,000 megohm

#### Cable Length:

35 ft

60 ft

100 ft

#### Cable Diameter:

10,000 to 25,000 lb: 0.200 in

40,000 to 125,000 lb: 0.305 in

Polyurethane jacket

#### Cable Coloring Code:

Red +Excitation

Black -Excitation

Green +Signal

White -Signal

#### Warranty:

Two-year limited

#### Approvals:

cFMus

NTEP 20-081

LOAD CELLS / WEIGH MODULES

# RL75058S-LP

Stainless Steel, Hermetically Sealed, NTEP Certified 1:10,000 Class IIIIL Multiple Cell, IP68/69K



LOAD CELLS / WEIGH MODULES



Picture is a representation of actual product.

### Approvals

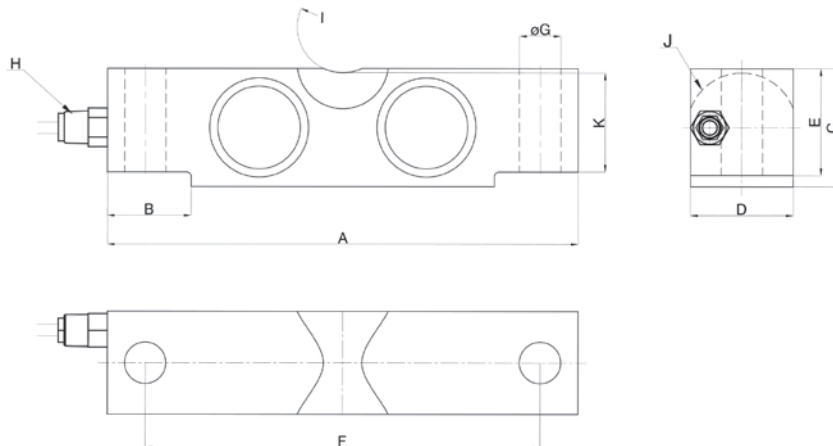


### Order Information

| Load Rating                           | Part # | Est. Weight | Price      |
|---------------------------------------|--------|-------------|------------|
| <b>NTEP Certified 35 ft Cable</b>     |        |             |            |
| 20,000 lb                             | 197797 | 8 lb        | \$927.00   |
| 25,000 lb                             | 197798 | 8 lb        | \$927.00   |
| 40,000 lb                             | 198430 | 13 lb       | \$1,160.00 |
| 50,000 lb                             | 197799 | 19 lb       | \$1,160.00 |
| 60,000 lb                             | 197800 | 19 lb       | \$1,160.00 |
| 75,000 lb                             | 197801 | 19 lb       | \$1,160.00 |
| 100,000 lb                            | 197803 | 40 lb       | Consult    |
| 125,000 lb                            | 197804 | 40 lb       | Consult    |
| <b>Non-NTEP Certified 35 ft Cable</b> |        |             |            |
| 10,000 lb                             | 197796 | 8 lb        | \$864.00   |
| <b>NTEP Certified 60 ft Cable</b>     |        |             |            |
| 75,000 lb                             | 197802 | 20 lb       | \$1,240.00 |

### Dimensions

| Rated Capacity     | A     | B    | C    | D    | E    | F     | ØG   | H          | I     | J     | K    |
|--------------------|-------|------|------|------|------|-------|------|------------|-------|-------|------|
| lb/in              |       |      |      |      |      |       |      |            |       |       |      |
| 10,000 to 25,000   | 7.75  | 1.38 | 1.94 | 1.69 | 1.70 | 6.50  | 0.68 | 1/4-18 NPT | R19.1 | R22.9 | 1.63 |
| 40,000             | 10.25 | 1.93 | 2.44 | 1.94 | 2.10 | 8.50  | 0.81 | 1/4-18 NPT | R25.4 | R28.5 | 2.00 |
| 50,000 to 75,000   | 10.25 | 1.93 | 2.94 | 2.44 | 2.65 | 8.50  | 1.06 | 1/2-14 NPT | R25.4 | R34.8 | 2.54 |
| 100,000 to 125,000 | 15.25 | 3.13 | 3.86 | 2.90 | 3.43 | 12.75 | 1.62 | 1/2-14 NPT | R38.1 | R45.7 | 3.30 |



### Interchangeable Products

RICE LAKE WEIGHING SYSTEMS  
**RL75058I (Alloy)**  
 VPG® SENSORTRONICS®  
**65058S**

### Weigh Module Available

RICE LAKE WEIGHING SYSTEMS  
**RL2100HE**  
 RICE LAKE WEIGHING SYSTEMS  
**MVS**

### Specifications

- Full Scale Output:**  
3.0 mV/V
- Output Resistance:**  
700 (± 7) ohm
- Input Resistance:**  
700 (± 14) ohm
- Material/Finish:**  
Stainless steel
- Temperature:**  
Compensated range  
14 °F to 104 °F (-10 °C to 40 °C)  
Operating range  
0 °F to 150 °F (-18 °C to 65 °C)
- Seal Type:**  
Hermetically sealed, IP68/IP69K
- Safe Overload:**  
150% full scale
- Safe Sideload:**  
100% full scale
- Rated Excitation:**  
5 to 10 VDC (15 V maximum)
- Combined Error:**  
0.02% full scale
- Insulation Resistance:**  
5,000 megohm
- Cable Length:**  
35 ft  
60 ft
- Cable Diameter:**  
10,000 to 25,000 lb: 0.200 in  
40,000 to 125,000 lb: 0.305 in  
Polyurethane jacket
- Cable Coloring Code:**  
Red +Excitation  
Black -Excitation  
Green +Signal  
White -Signal
- Warranty:**  
Two-year limited
- Approvals:**  
cFMus  
NTEP 20-081



Picture is a representation of actual product.

**Approvals**

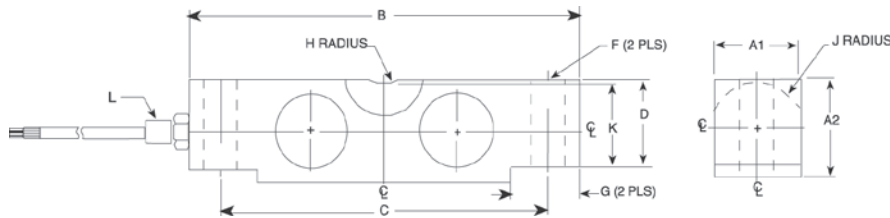


**Order Information**

| Load Rating        | Part # | Est. Weight | Price      |
|--------------------|--------|-------------|------------|
| <b>35 ft Cable</b> |        |             |            |
| 20,000 lb          | 53481  | 6 lb        | \$927.00   |
| 25,000 lb          | 50559  | 6 lb        | \$927.00   |
| 35,000 lb          | 50560  | 19 lb       | \$1,160.00 |
| 50,000 lb          | 50561  | 19 lb       | \$1,160.00 |
| 60,000 lb          | 50562  | 19 lb       | \$1,095.00 |
| 75,000 lb          | 50563  | 19 lb       | \$1,160.00 |
| 100,000 lb         | 50564  | 19 lb       | \$2,115.00 |
| <b>60 ft Cable</b> |        |             |            |
| 25,000 lb          | 157931 | 6 lb        | \$980.00   |

**Dimensions**

| Rated Capacity   | F    | A1   | A2   | B     | C    | G    | H    | J    | K    | D    | L          |
|------------------|------|------|------|-------|------|------|------|------|------|------|------------|
| lb/in            |      |      |      |       |      |      |      |      |      |      |            |
| 20,000 to 25,000 | 0.68 | 1.69 | 1.94 | 7.75  | 6.50 | 1.38 | 0.75 | 0.90 | 1.63 | 1.70 | 1/4-18 NPT |
| 35,000 to 75,000 | 1.06 | 2.44 | 2.94 | 10.25 | 8.50 | 1.93 | 1.00 | 1.37 | 2.54 | 2.65 | 1/2-14 NPT |
| 100,000          | 1.06 | 2.44 | 3.44 | 10.25 | 8.50 | 1.93 | 1.00 | 1.37 | 2.54 | 2.65 | 1/2-14 NPT |



**Weigh Module Available**

- RICE LAKE WEIGHING SYSTEMS  
**RL2100HE**
- RICE LAKE WEIGHING SYSTEMS  
**MVS**

**Specifications**

**Full Scale Output:**  
3.0 mV/V

**Output Resistance:**  
699 to 707 ohm

**Input Resistance:**  
686 to 714 ohm

**Material/Finish:**  
Stainless steel

**Temperature:**  
Compensated range  
14 °F to 104 °F (-10 °C to 40 °C)  
Operating range  
0 °F to 150 °F (-18 °C to 65 °C)

**Seal Type:**  
Welded-seal, IP67

**Safe Overload:**  
150% full scale

**Safe Sideload:**  
100% full scale

**Rated Excitation:**  
5 to 10 VDC (15 V maximum)

**Combined Error:**  
0.02% full scale

**Insulation Resistance:**  
1,000 megohm

**Cable Length:**  
35 ft  
60 ft

**Cable Diameter:**  
20,000 to 25,000 lb: 0.200 in  
35,000 to 100,000 lb: 0.305 in  
Polyurethane jacket

**Cable Coloring:**  
Red +Excitation  
Black -Excitation  
Green +Signal  
White -Signal

**Warranty:**  
Two-year limited

**Approvals:**  
cFMus  
NTEP 96-027

**LOAD CELLS / WEIGH MODULES**

# RL75223

Alloy Steel, Welded Seal, NTEP Certified 1:10,000 Class IIII Multiple Cell, IP67

LOAD CELLS /  
WEIGH MODULES



Picture is a representation of actual product.

### Approvals

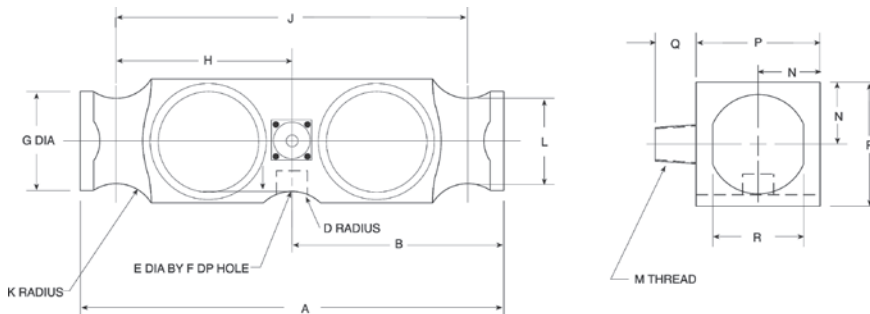


### Order Information

| Load Rating        | Part # | Est. Weight | Price      |
|--------------------|--------|-------------|------------|
| <b>40 ft Cable</b> |        |             |            |
| 50,000 lb          | 21611  | 20 lb       | \$900.00   |
| 65,000 lb          | 21612  | 20 lb       | \$900.00   |
| 100,000 lb         | 21613  | 20 lb       | \$1,160.00 |
| <b>60 ft Cable</b> |        |             |            |
| 50,000 lb          | 107583 | 20 lb       | \$980.00   |

### Dimensions

| Rated Capacity   | A     | B    | D    | E    | F    | G    | H    | J    | K    | L    | M          | N    | P    | Q    | R    |
|------------------|-------|------|------|------|------|------|------|------|------|------|------------|------|------|------|------|
| lb/in            |       |      |      |      |      |      |      |      |      |      |            |      |      |      |      |
| 50,000 to 65,000 | 10.25 | 5.12 | 1.00 | 0.75 | 0.78 | 2.40 | 4.25 | 8.50 | 1.00 | 2.06 | 1/2-14 NPT | 1.50 | 3.00 | 1.03 | 2.20 |
| 100,000          | 10.25 | 5.12 | 1.00 | —    | —    | 2.40 | 4.25 | 8.50 | 1.00 | 2.06 | 1/2-14 NPT | 1.50 | 3.00 | 1.03 | 2.20 |



### Interchangeable Products

- VPG® REVERE  
**5223**
- VPG® SENSORTRONICS®  
**65040A-XX-1127W**
- ARTECH®  
**80210**
- THURMAN®  
**TSC 800**
- UNIBRIDGE®  
**DL9000**

### Weigh Module Available

RICE LAKE WEIGHING SYSTEMS  
**Translink**

### Specifications

- Full Scale Output:**  
3.0 mV/V
- Output Resistance:**  
699 to 707 ohm
- Input Resistance:**  
686 to 714 ohm
- Material/Finish:**  
High-alloy steel
- Temperature:**  
Compensated range  
14 °F to 104 °F (-10 °C to 40 °C)  
Operating range  
0 °F to 150 °F (-18 °C to 65 °C)
- Seal Type:**  
Welded-seal, IP67
- Safe Overload:**  
150% full scale
- Safe Sideload:**  
100% full scale
- Rated Excitation:**  
5-10 VDC (15 V maximum)
- Non-repeatability:**  
0.01% full scale
- Combined Error:**  
0.03% full scale
- Insulation Resistance:**  
5,000 megohm
- Deflection at Capacity:**  
50,000 lb: 0.018 in  
65,000 lb: 0.022 in  
100,000 lb: 0.034 in
- Cable Length:**  
40 ft  
60 ft
- Cable Diameter:**  
0.305 in polyurethane jacket
- Cable Color Code:**  
Red +Excitation  
Black -Excitation  
Green +Signal  
White -Signal
- Warranty:**  
Two-year limited
- Approvals:**  
cFMus  
NTEP 97-126



DOUBLE-ENDED BEAM  
**RLDB50000S**

Stainless Steel, Welded Seal, NTEP Certified 1:10,000 IILL Multiple Cell, IP67



Picture is a representation of actual product.

Approvals

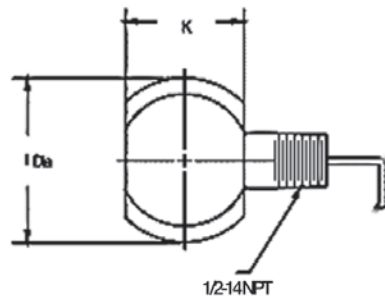
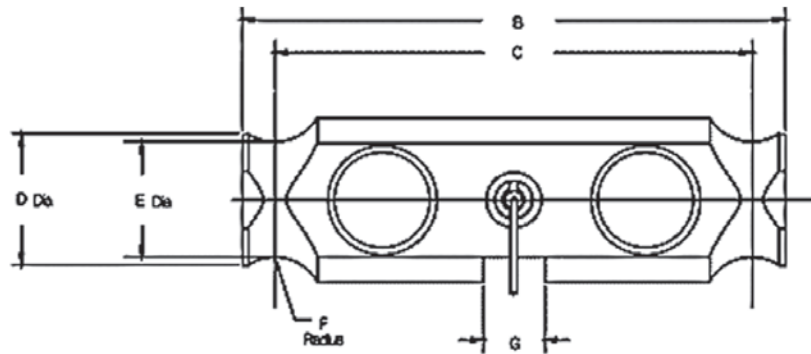


Order Information

| Load Rating | Part #       | Est. Weight | Price      |
|-------------|--------------|-------------|------------|
| 50,000 lb   | <b>91765</b> | 10 lb       | \$1,266.00 |

Dimensions

| Rated Capacity | B    | C    | D    | E    | F    | G    | K    | I    |
|----------------|------|------|------|------|------|------|------|------|
| 50,000 lb/in   | 8.25 | 7.25 | 2.00 | 1.76 | 0.75 | 0.93 | 1.80 | 2.50 |



Interchangeable Products

CARDINAL®  
**DB50000S**

Specifications

**Full Scale Output:**  
2.0 ± 0.1% mV/V

**Output Resistance:**  
699 to 707 ohm

**Input Resistance:**  
686 to 714 ohm

**Material/Finish:**  
Stainless steel

**Temperature:**  
Compensated range  
14 °F to 104 °F (-10 °C to 40 °C)  
Operating range  
0 °F to 150 °F (-18 °C to 65 °C)

**Seal Type:**  
Welded-seal, IP67

**Safe Overload:**  
150% full scale

**Safe Sideload:**  
100% full scale

**Rated Excitation:**  
5 to 10 VDC (15 V maximum)

**Non-repeatability:**  
0.01% full scale

**Combined Error:**  
0.03% full scale

**Insulation Resistance:**  
5,000 megohm

**Deflection at Capacity:**  
0.01 in

**Cable Length:**  
35 ft

**Cable Diameter:**  
0.305 in  
Polyurethane jacket

**Cable Color Code:**  
Red +Excitation  
Black -Excitation  
White +Signal  
Green -Signal

**Warranty:**  
Two-year limited

**Approvals:**  
cFMus  
NTEP 92-018

LOAD CELLS /  
WEIGH MODULES

# RL75040

Alloy Steel, Environmentally Sealed, NTEP Certified 1:10,000 Class III Multiple Cell, IP67

LOAD CELLS /  
WEIGH MODULES



Picture is a representation of actual product.

### Approvals



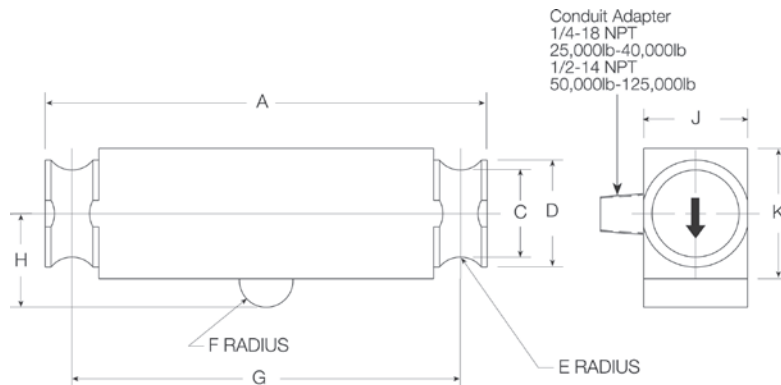
### Order Information

| Load Rating        | Part # | Est. Weight | Price      |
|--------------------|--------|-------------|------------|
| <b>35 ft Cable</b> |        |             |            |
| 25,000 lb          | 21614  | 11 lb       | \$673.00   |
| 40,000 lb          | 21615  | 12 lb       | \$805.00   |
| 50,000 lb LE       | 21616  | 17 lb       | \$885.00   |
| 60,000 lb LE       | 21617  | 17 lb       | \$885.00   |
| 75,000 lb          | 21618  | 17 lb       | \$885.00   |
| 100,000 lb         | 21619  | 40 lb       | \$1,669.00 |
| 125,000 lb         | 21620  | 40 lb       | \$1,669.00 |
| <b>40 ft Cable</b> |        |             |            |
| 50,000 lb SE       | 87253  | 11 lb       | \$805.00   |
| 60,000 lb SE       | 53593  | 11 lb       | \$805.00   |
| <b>50 ft Cable</b> |        |             |            |
| 50,000 lb LE       | 21621  | 18 lb       | \$917.00   |
| 60,000 lb LE       | 21622  | 18 lb       | \$917.00   |
| 75,000 lb          | 40951  | 18 lb       | \$917.00   |

SE=small envelope; LE=large envelope

### Dimensions

| Rated Capacity      | A     | C    | D    | E    | F    | G     | H    | J    | K    |
|---------------------|-------|------|------|------|------|-------|------|------|------|
| lb/in               |       |      |      |      |      |       |      |      |      |
| 25,000 to 60,000 SE | 8.25  | 1.63 | 2.00 | 0.50 | 0.50 | 7.25  | 1.75 | 1.94 | 2.44 |
| 50,000 LE to 75,000 | 11.50 | 1.70 | 2.20 | 0.75 | 1.00 | 10.00 | 2.00 | 1.94 | 2.94 |
| 100,000 to 125,000  | 14.50 | 2.44 | 3.20 | 1.00 | 1.50 | 12.50 | 2.75 | 2.90 | 3.86 |



### Interchangeable Products

VPG® SENSORTRONICS®

**65040A**

ARTECH®

**80310**

THURMAN®

**TSC 840**

SENTRAN

**WD1**

ANYLOAD

**102TH**

### Weigh Module Available

RICE LAKE WEIGHING SYSTEMS

**Translink™**

### Specifications

**Full Scale Output:**

3.0 mV/V

**Output Resistance:**

700 (± 5) ohm

**Input Resistance:**

770 (± 10) ohm

**Material/Finish:**

High-alloy steel, nickel plated

**Temperature:**

Compensated range  
14 °F to 104 °F (-10 °C to 40 °C)  
Operating range  
0 °F to 150 °F (-18 °C to 65 °C)

**Seal Type:**

Environmentally sealed, IP67

**Safe Overload:**

150% full scale

**Safe Sideload:**

100% full scale

**Rated Excitation:**

5 to 10 VDC (15 V maximum)

**Combined Error:**

0.03% full scale

**Insulation Resistance:**

1,000 megohm

**Cable Length:**

35 ft  
40 ft  
50 ft

**Cable Diameter:**

25,000 lb: 0.200 in  
40,000 to 75,000 lb: 0.305 in polyurethane jacket

**Cable Coloring Code:**

Red +Excitation  
Black -Excitation  
Green +Signal  
White -Signal

**Warranty:**

Two-year limited

**Approvals:**

cFMus  
NTEP 00-027



Picture is a representation of actual product.

### Approvals

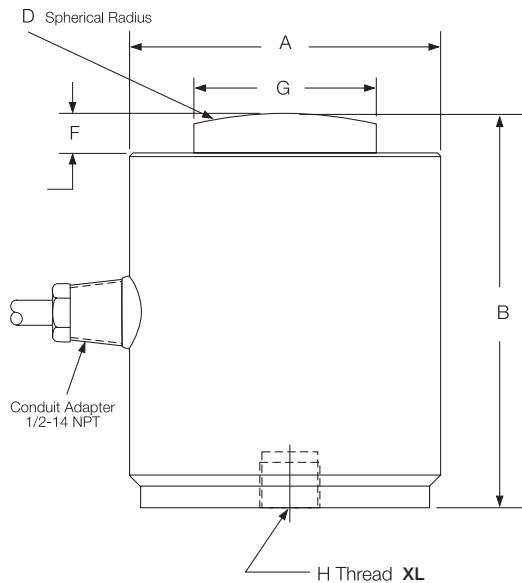


### Order Information

| Load Rating        | Part # | Est. Weight | Price      |
|--------------------|--------|-------------|------------|
| <b>35 ft Cable</b> |        |             |            |
| 25,000 lb          | 32702  | 7 lb        | \$1,903.00 |
| 50,000 lb          | 32701  | 7 lb        | \$1,903.00 |
| 100,000 lb         | 32700  | 15 lb       | \$2,226.00 |
| 200,000 lb         | 32699  | 28 lb       | \$3,175.00 |
| <b>80 ft Cable</b> |        |             |            |
| 200,000 lb         | 197788 | 30 lb       | \$3,312.00 |

### Dimensions

| Rated Capacity   | A    | B    | D     | F    | G    | H          | L-DEPTH |
|------------------|------|------|-------|------|------|------------|---------|
| lb/in            |      |      |       |      |      |            |         |
| 25,000 to 50,000 | 3.00 | 3.25 | 6.00  | 0.40 | 1.25 | 1/2-20 UNF | 0.31    |
| 100,000          | 4.00 | 5.00 | 6.00  | 0.51 | 2.31 | 3/4-16 UNF | 0.56    |
| 200,000          | 6.00 | 7.25 | 17.00 | 1.04 | 3.13 | 3/4-16 UNF | 0.75    |



### Interchangeable Products

- VPG® REVERE  
**CSP**
- VPG® SENSORTRONICS®  
**65088-1000**
- VPG® REVERE  
**692B**
- HOWE RICHARDSON®  
**244699-000X**
- STREETER AMET®  
**3760XXX**

### Weigh Module Available

RICE LAKE WEIGHING SYSTEMS  
**MagnaMount®**

### Specifications

- Full Scale Output:**  
2.0 mV/V
- Output Resistance:**  
475.2 to 484.8 ohm
- Input Resistance:**  
445.5 to 454.5 ohm
- Material/Finish:**  
Stainless steel
- Temperature:**  
Compensated range  
14 °F to 104 °F (-10 °C to 40 °C)  
Operating range  
0 °F to 150 °F (-18 °C to 65 °C)
- Seal Type:**  
Welded-seal, IP67
- Safe Overload:**  
150% full scale
- Rated Excitation:**  
5 to 10 VDC (15 V maximum)
- Combined Error:**  
0.03% full scale
- Non-repeatability:**  
0.01% full scale
- Insulation Resistance:**  
1,000 megohm
- Deflection at Capacity:**  
25,000 to 50,000 lb: 0.003 in  
100,000 to 125,000 lb: 0.006 in
- Cable Length:**  
35 ft  
80 ft
- Cable Diameter:**  
0.305 in polyurethane jacket
- Cable Color Code:**  
Green +Excitation  
Black -Excitation  
White +Signal  
Red -Signal  
Orange Shield
- Warranty:**  
Two-year limited
- Approvals:**  
NTEP 95-140

LOAD CELLS / WEIGH MODULES

COMPRESSION CANISTER  
**RL8C2P1SST**

Stainless Steel, Hermetically Sealed, NTEP Certified 1:10,000 Class III Multiple Cell, IP68

LOAD CELLS /  
WEIGH MODULES



Picture is a representation of actual product.

Approvals

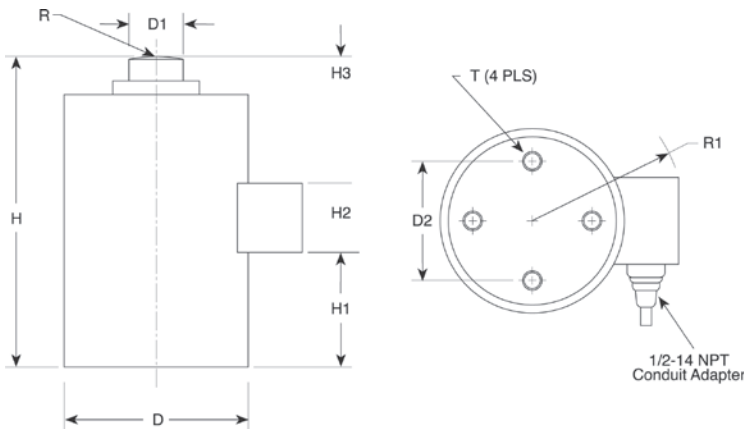


Order Information

| Load Rating | Part # | Est. Weight | Price      |
|-------------|--------|-------------|------------|
| 50,000 lb   | 34855  | 20 lb       | \$2,325.00 |
| 100,000 lb  | 34856  | 36 lb       | \$2,325.00 |
| 200,000 lb  | 34857  | 75 lb       | \$3,598.00 |

Dimensions

| Rated Capacity<br>lb/in | D    | D1   | D2   | H     | H1   | H2   | H3   | R     | R1   | T                    |
|-------------------------|------|------|------|-------|------|------|------|-------|------|----------------------|
| 50,000                  | 4.50 | 1.25 | 2.38 | 7.50  | 1.17 | 0.75 | 0.75 | 8.00  | 3.75 | 3/8-24 UNF × .63 DP  |
| 100,000                 | 5.75 | 1.75 | 4.00 | 9.13  | 2.00 | 0.87 | 1.05 | 12.00 | 4.05 | 1/2-20 UNF × .75 DP  |
| 200,000                 | 7.50 | 2.50 | 5.50 | 11.63 | 2.93 | 0.97 | 0.97 | 12.00 | 5.11 | 5/8-18 UNF × 25.4 DP |



Interchangeable Products

VPG® REVERSE  
**792**

Specifications

- Full Scale Output:**  
2.0 mV/V
- Output Resistance:**  
350 (± 3.5) ohm
- Input Resistance:**  
350 (± 3.5) ohm
- Material/Finish:**  
Stainless steel
- Temperature:**  
Compensated range  
14 °F to 104 °F (-10 °C to 40 °C)  
Operating range  
0 °F to 150 °F (-18 °C to 65 °C)
- Seal Type:**  
Hermetically sealed, IP68
- Safe Overload:**  
150% full scale
- Rated Excitation:**  
10 VDC (15 V maximum)
- Non-repeatability:**  
0.01% full scale
- Combined Error:**  
0.03% full scale
- Insulation Resistance:**  
>1,000 megohm
- Deflection at Capacity:**  
50,000 lb: 0.004 in  
100,000 lb: 0.006 in  
200,000 lb: 0.009 in
- Cable Length:**  
35 ft
- Cable Color Code:**  
Green +Excitation  
Black -Excitation  
White +Signal  
Red -Signal  
Orange Shield
- Warranty:**  
Two-year limited
- Approvals:**  
cFMus  
NTEP 92-218



Picture is a representation of actual product.

**Approvals**



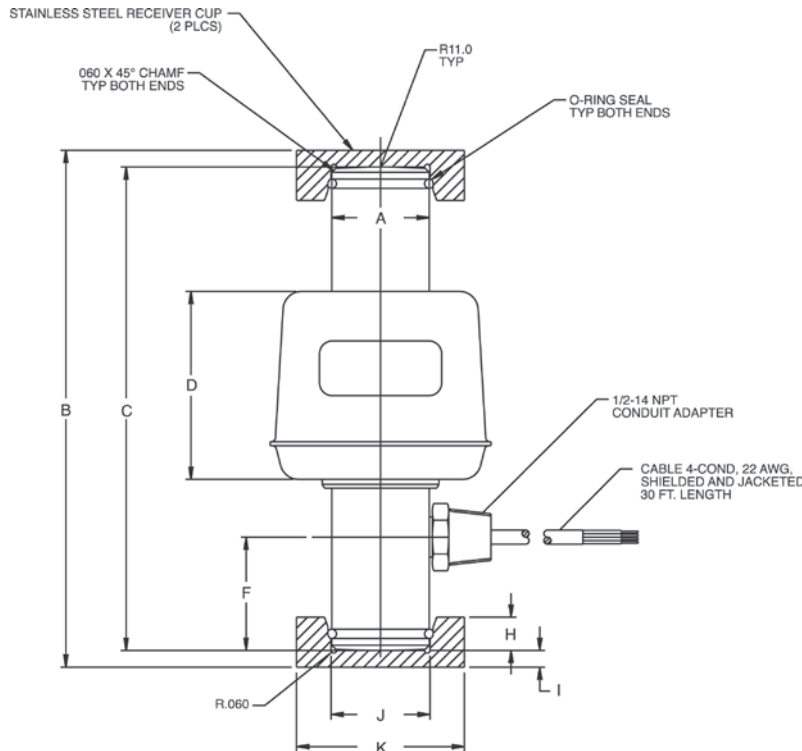
**Order Information**

| Load Rating                                       | Part #       | Est. Weight | Price       |
|---|--------------|-------------|-------------|
| 50,000 lb*  | <b>68918</b> | 7 lb        | \$1,055.00  |
| <b>Replacement Parts</b>                          |              |             |             |
| Replacement load cup set upper and lower included | <b>85433</b> | 1 lb        | \$100.00    |
| Replacement O-ring                                | <b>92988</b> | 1 lb        | \$1.00/each |

\*Load cell supplied with load cups

**Dimensions**

| Rated Capacity | A    | B    | C    | D    | F    | H    | I    | J    | K    |
|----------------|------|------|------|------|------|------|------|------|------|
| 50,000 lb/in   | 1.46 | 7.75 | 7.25 | 2.82 | 1.70 | 0.50 | 0.25 | 1.48 | 2.50 |



**Interchangeable Products**

CARDINAL®  
**SCA-50K**

**Specifications**

**Full Scale Output:**  
2 mv/V nominal

**Output Resistance:**  
1,050 (± 10) ohm

**Input Resistance:**  
1,100 to 1,500 ohm

**Material/Finish:**  
Stainless steel

**Temperature:**  
Compensated range  
14 °F to 104 °F (-10 °C to 40 °C)  
Operating range  
0 °F to 150 °F (-18 °C to 65 °C)

**Seal Type:**  
Welded-seal, IP67

**Safe Overload:**  
150% full scale

**Rated Excitation:**  
5 to 10 VDC (15 V maximum)

**Combined Error:**  
0.025% full scale

**Non-repeatability:**  
0.01% full scale

**Insulation Resistance:**  
1,000 megohm

**Cable Length:**  
30 ft

**Cable Diameter:**  
0.200 in  
Polyurethane jacket

**Cable Color Code:**  
Green +Excitation  
Black -Excitation  
Red +Signal  
White -Signal

**Warranty:**  
Two-year limited

**Approvals:**  
NTEP  
01-073  
cFMus

# RL70510-30 t/RL80453-100,000 lb

Stainless Steel, Hermetically Sealed, NTEP Certified 1:10,000 Class III L, IP69K

LOAD CELLS /  
WEIGH MODULES



Picture is a representation of actual product.

Approvals



Order Information: RL70510

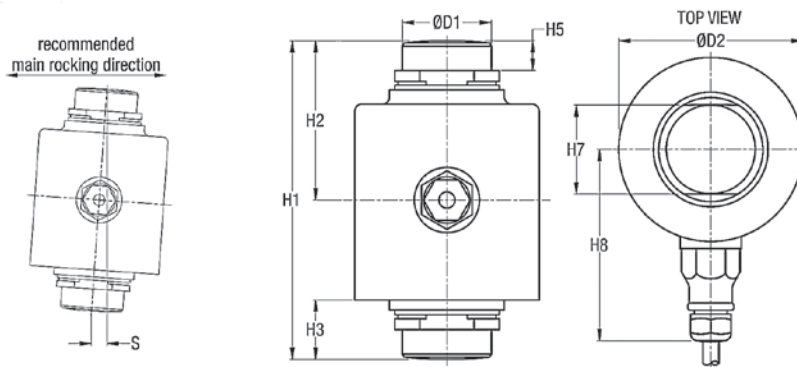
| Load Rating    | Part # | Est. Weight | Price      |
|----------------|--------|-------------|------------|
| 30 t           | 169363 | 6 lb        | \$1,044.00 |
| Upper load cup | 109332 | 4 lb        | \$143.00   |
| Lower load cup | 109331 | 4 lb        | \$116.00   |

Order Information: RL80453

| Load Rating    | Part # | Est. Weight | Price      |
|----------------|--------|-------------|------------|
| 100,000 lb     | 169365 | 6 lb        | \$1,070.00 |
| Upper load cup | 109332 | 4 lb        | \$143.00   |
| Lower load cup | 109331 | 4 lb        | \$116.00   |

Dimensions

| Rated Capacity | H1   | H2   | H3   | H5   | H7   | H8   | D1   | D2   |
|----------------|------|------|------|------|------|------|------|------|
| t/in           |      |      |      |      |      |      |      |      |
| 30             | 5.51 | 2.76 | 1.02 | 0.51 | 1.54 | 3.32 | 1.54 | 3.18 |
| lb/in          |      |      |      |      |      |      |      |      |
| 100,000        | 5.91 | 2.95 | 1.30 | 0.51 | 1.54 | 3.32 | 1.54 | 3.18 |



Interchangeable Products

- FAIRBANKS®  
**70510**..... LCF HR 4020-2A
- FAIRBANKS  
**80453**..... LCF HR 4020-21

Specifications

- Full Scale Output:**  
2.0 mV/v
- Output Resistance:**  
1,000 (± 2) ohm
- Input Resistance:**  
1,150 (± 50) ohm
- Material/Finish:**  
Stainless steel
- Temperature:**  
Compensated range  
14 °F to 104 °F (-10 °C to 40 °C)  
Operating range  
0 °F to 150 °F (-18 °C to 65 °C)
- Seal Type:**  
Hermetically sealed, IP69K
- Safe Overload:**  
200% full scale
- Rated Excitation:**  
5 to 10 VDC (15 V max)
- Combined Error:**  
0.02% full scale
- Insulation Resistance:**  
5,000 megohm
- Cable Length:**  
15 ft
- Cable Diameter:**  
0.200 in  
Stainless steel overbraid cable
- Cable Color Code:**  
Green +Excitation  
Black -Excitation  
White +Signal  
Red -Signal  
Yellow Shield
- Warranty:**  
Two-year limited
- Approvals:**  
NTEP 15-057



Picture is a representation of actual product.

**Approvals**



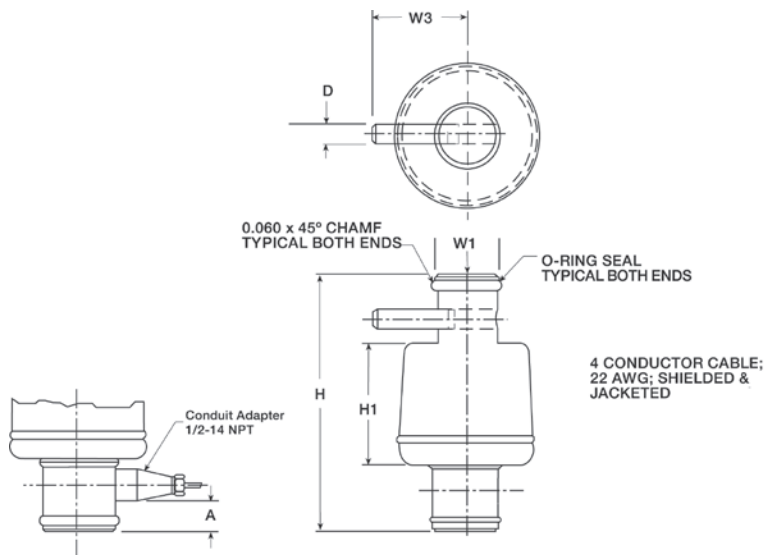
**Order Information**

| Load Rating              | Part #        | Est. Weight | Price      |
|--------------------------|---------------|-------------|------------|
| 50,000 lb LE             | <b>88074</b>  | 6 lb        | \$1,266.00 |
| <b>Replacement Parts</b> |               |             |            |
| Replacement O-ring       | <b>92988</b>  | 1lb         | \$1.00     |
| Spring pin               | <b>116181</b> | 1 lb        | \$5.00     |

LE=Large envelope  
 Not interchangeable with Sensortronics 65114 - different mV/v

**Dimensions**

| Rated Capacity | A    | D    | H    | H1   | W1   | W3   |
|----------------|------|------|------|------|------|------|
| 50,000 LE      | 0.87 | 0.38 | 7.56 | 2.82 | 1.46 | 2.18 |



**Interchangeable Products**

FAIRBANKS®  
**64166**..... LCF HR 4020-2

**Specifications**

- Full Scale Output:**  
1.8 mV/v nominal
- Output Resistance:**  
1,000 (± 10) ohm
- Input Resistance:**  
1,000 ohm
- Material/Finish:**  
Stainless steel
- Temperature:**  
Compensated range  
14 °F to 104 °F (-10 °C to 40 °C)  
Operating range  
0 °F to 150 °F (-18 °C to 65 °C)
- Seal Type:**  
Welded-seal, IP67
- Safe Overload:**  
150% full scale
- Rated Excitation:**  
5 to 10 VDC
- Combined Error:**  
0.025% full scale
- Non-repeatability:**  
0.01% full scale
- Insulation Resistance:**  
1,000 megohm
- Cable Length:**  
30 ft
- Cable Diameter:**  
0.200 in overbraid cable
- Cable Color Code:**  
Green +Excitation  
Black -Excitation  
White +Signal  
Red -Signal
- Warranty:**  
Two-year limited
- Approvals:**  
NTEP 06-022  
cFMus

COMPRESSION DISK  
**RL90000**

Alloy Steel, Environmentally Sealed, IP67

LOAD CELLS /  
WEIGH MODULES



25K shown

5K shown

Load cup sold separately on 5,000 and 10,000 lb models.

Picture is a representation of actual product.

Approvals



Order Information

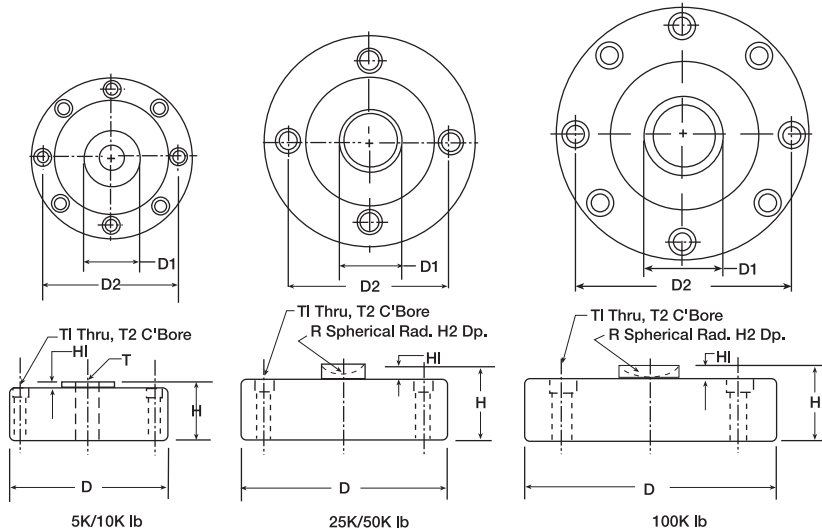
| Load Rating | Part # | Est. Weight | Price    |
|-------------|--------|-------------|----------|
| 5,000 lb*   | 33061  | 6 lb        | \$689.00 |
| 10,000 lb*  | 33062  | 6 lb        | \$689.00 |
| 25,000 lb   | 33063  | 9 lb        | \$843.00 |
| 50,000 lb   | 33064  | 9 lb        | \$843.00 |
| 100,000 lb  | 33065  | 13 lb       | \$990.00 |
| Load Cup**  | 33616  |             | \$37.00  |

\*5,000lb and 10,000lb models can be used in compression and tension load applications.

\*\*Load cup, PN 33616, is required for compression applications on 5,000lb and 10,000lb capacity load cells.

Dimensions

| Rated Capacity    | T             | R     | D    | D1   | D2   | H    | H1   | H2   | T1   | T2               |
|-------------------|---------------|-------|------|------|------|------|------|------|------|------------------|
| 5,000* to 10,000* | 5/8-18 UNF-3B | —     | 4.12 | 1.26 | 3.50 | 1.37 | 0.12 | —    | 0.28 | 0.406 x 0.283 DP |
| 25,000 to 50,000  | —             | 0.875 | 4.75 | 1.53 | 4.00 | 2.12 | 0.50 | 0.30 | 0.34 | 0.508 x 0.38 DP  |
| 100,000           | —             | 0.875 | 5.50 | 1.98 | 4.60 | 2.25 | 0.25 | 0.30 | 0.41 | 0.626 x 0.4 DP   |



Interchangeable Products

VPG® CELTRON  
LCD

Specifications

**Full Scale Output:**  
4.0 mV/V

**Output Resistance:**  
5,000 to 50,000 lb: 350 (± 3) ohm  
100,000 lb: 700 (± 5) ohm

**Input Resistance:**  
5,000 to 50,000 lb: 385 (± 5) ohm  
100,000 lb: 770 (± 70) ohm

**Material/Finish:**  
High-alloy steel, nickel plated

**Temperature:**  
Operating range  
0 °F to 150 °F (-18 °C to 65 °C)

**Seal Type:**  
Environmentally sealed, IP67

**Safe Overload:**  
150% full scale

**Safe Sideload:**  
100% full scale

**Rated Excitation:**  
15 VDC (15 V maximum)

**Nonlinearity:**  
0.05% full scale

**Hysteresis:**  
0.02% full scale

**Insulation Resistance:**  
2,000 megohm

**Cable Length:**  
50 ft

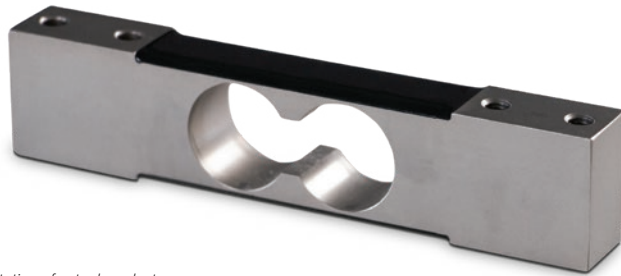
**Cable Diameter:**  
5,000 to 25,000 lb: 0.200 in  
50,000 to 100,000 lb: 0.305 in Polyurethane jacket

**Cable Color Code:**  
Red +Excitation  
Black -Excitation  
Green +Signal  
White -Signal

**Warranty:**  
Two-year limited

**Approvals:**  
cFMus





Picture is a representation of actual product.

**Approvals**

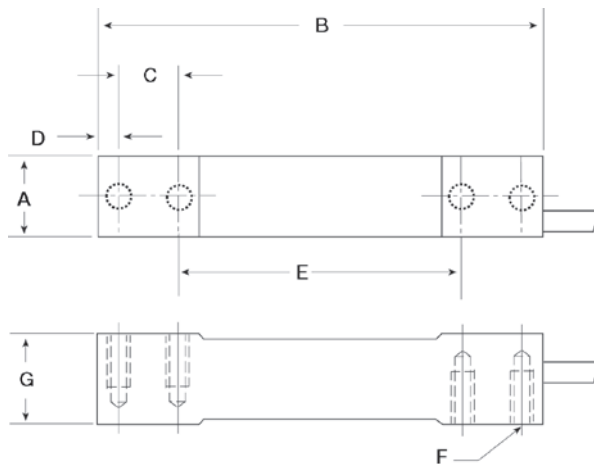


**Order Information**

| Load Rating | Part #        | Est. Weight | Price    |
|-------------|---------------|-------------|----------|
| 7 kg        | <b>205274</b> | 2lb         | \$328.00 |
| 10 kg       | <b>205275</b> | 2lb         | \$328.00 |
| 30 kg       | <b>205276</b> | 2lb         | \$328.00 |
| 60 kg       | <b>205277</b> | 2lb         | \$328.00 |
| 100 kg      | <b>205278</b> | 2lb         | \$328.00 |
| 150 kg      | <b>205279</b> | 2lb         | \$328.00 |

**Dimensions**

| Rated Capacity | A    | B     | C    | D   | E    | F          | G    |
|----------------|------|-------|------|-----|------|------------|------|
| kg/mm          |      |       |      |     |      |            |      |
| 7 to 10        | 30.2 | 139.7 | 19.1 | 6.4 | 88.9 | 1/4-20 UNC | 19.1 |
| 30 to 60       | 30.2 | 139.7 | 19.1 | 6.4 | 88.9 | 1/4-20 UNC | 23.9 |
| 100 to 150     | 30.2 | 139.7 | 22.3 | 7.8 | 79.2 | 3/8-16 UNC | 30.7 |



**Interchangeable Products**

- RICE LAKE WEIGHING SYSTEMS
- RL1380**
- FLINTEC
- PC3**
- HBK®
- PWS**

**Specifications**

**Full Scale Output:**

2 mv/v

**Output Resistance:**

350 (± 10) ohm

**Input Resistance:**

385 (± 15) ohm

**Material Finish:**

Stainless steel

**Temperature Compensation:**

Compensated range

14 °F to 104 °F (-10 °C to 40 °C)

Operating range

0 °F to 150 °F (-18 °C to 65 °C)

**Seal Type:**

Environmentally sealed, IP67

**Safe Overload:**

150% full scale

**Rated Excitation:**

5 to 10 VDC

**Insulation Resistance:**

5,000 megohm

**Max Platform Size:**

7 kg to 30 kg: 350 × 350 mm

60 kg to 150 kg: 450 × 450 mm

**Combined Error:**

0.02% full scale

**Cable Length:**

10 ft

**Cable Diameter:**

0.140 in polyurethane jacket

**Color Code:**

Green +Excitation

Black -Excitation

White +Signal

Red -Signal

Yellow Shield

**Warranty:**

One-year limited

**Approvals:**

NTEP 21-017

OIML R60/2017-A-NL1-21.17

SINGLE POINT

# RLPC4SS-HE

Stainless Steel, Hermetically Sealed, NTEP Certified 1:5,000 Class III Single Cell, IP68

LOAD CELLS /  
WEIGH MODULES



Picture is a representation of actual product.

### Approvals

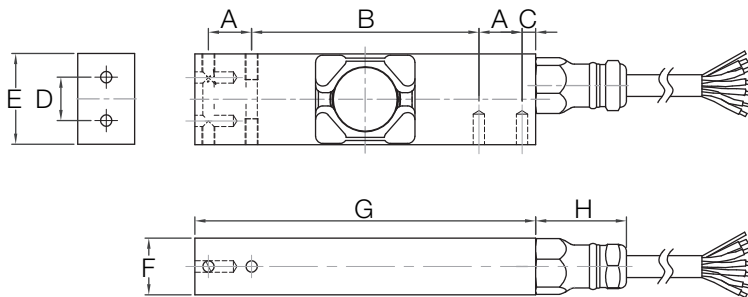


### Order Information

| Load Rating | Part # | Est. Weight | Price    |
|-------------|--------|-------------|----------|
| 10 kg       | 205270 | 3 lb        | \$630.00 |
| 20 kg       | 205271 | 3 lb        | \$630.00 |
| 50 kg       | 205272 | 3 lb        | \$630.00 |
| 100 kg      | 205273 | 3 lb        | \$630.00 |

### Dimensions

| Rated Capacity | A    | B     | C   | D    | E    | F    | G     | H    |
|----------------|------|-------|-----|------|------|------|-------|------|
| kg/mm          |      |       |     |      |      |      |       |      |
| 10 to 100      | 19.0 | 100.0 | 6.0 | 19.1 | 40.0 | 25.0 | 150.0 | 40.0 |



### Interchangeable Products

FLINTEC

PC4

HBK®

PW15AH\*

\*350 Ohm

### Specifications

#### Full Scale Output:

2 mv/v

#### Output Resistance:

960 (± 50) ohm

#### Input Resistance:

1100 (± 50) ohm

#### Material Finish:

Stainless steel

#### Temperature Compensation:

Compensated range

14 °F to 104 °F (-10 °C to 40 °C)

Operating range

0 °F to 150 °F (-18 °C to 65 °C)

#### Seal Type:

Hermetically sealed, IP68

#### Safe Overload:

150% full scale

#### Rated Excitation:

5 to 10 VDC

#### Insulation Resistance:

> 5,000 megohm

#### Max Platform Size:

500 × 400 mm

#### Combined Error:

0.02% full scale

#### Cable Length:

10 ft

#### Color Code:

Green +Excitation

Black -Excitation

White +Signal

Red -Signal

Blue +Sense

Brown -Sense

Yellow Shield

#### Warranty:

One-year limited

#### Approvals:

NTEP 21-016

OIML R60/2017-A-NL1-21.18



Picture is a representation of actual product.

**Approvals**

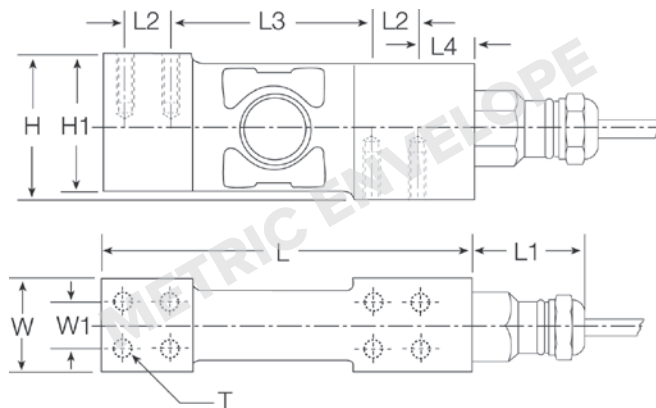


**Order Information**

| Load Rating | Part #       | Est. Weight | Price    |
|-------------|--------------|-------------|----------|
| 10 kg       | <b>87027</b> | 3 lb        | \$630.00 |
| 20 kg       | <b>87028</b> | 3 lb        | \$630.00 |
| 50 kg       | <b>87029</b> | 3 lb        | \$630.00 |
| 100 kg      | <b>87030</b> | 3 lb        | \$630.00 |
| 200 kg      | <b>87031</b> | 3 lb        | \$630.00 |

**Dimensions**

| Rated Capacity | H    | H1   | L     | L1   | L2   | L3   | L4   | W    | W1   | T            |
|----------------|------|------|-------|------|------|------|------|------|------|--------------|
| kg/mm          |      |      |       |      |      |      |      |      |      |              |
| 10 to 200      | 48.0 | 45.5 | 123.0 | 41.0 | 15.2 | 67.6 | 17.8 | 30.1 | 15.2 | 8 x M6/15 DP |



**Interchangeable Products**

FLINTEC  
PC6

**Specifications**

**Full Scale Output:**  
2.0 mv/v

**Output Resistance:**  
960 (± 50) ohm, nominal

**Input Resistance:**  
1,100 (± 50) ohm

**Material/Finish:**  
Stainless steel

**Temperature:**  
Compensated range  
14 °F to 104 °F (-10 °C to 40 °C)  
Operating range  
0 °F to 150 °F (-18 °C to 65 °C)

**Seal Type:**  
Hermetically sealed, IP69K

**Safe Overload:**  
200% full scale

**Safe Sideload:**  
100% full scale

**Rated Excitation:**  
5 to 10 VDC

**Combined Error:**  
0.02% full scale

**Insulation Resistance:**  
5,000 megohm

**Cable Length:**  
10 ft

**Cable Diameter:**  
0.196 in  
Polyurethane jacket

**Cable Color Code:**  
Green +Excitation  
Black -Excitation  
White +Signal  
Red -Signal  
Yellow Shield

**Max Deflection:**  
0.006 to 0.010 in

**Max Platform Size:**  
24 x 24 in

**Warranty:**  
Two-year limited

**Approvals:**  
FM  
NTEP 06-011

SINGLE POINT

# RLPWM15HE

Stainless Steel, Hermetically Sealed, NTEP Certified 1:5,000 Class III Single Cell, IP69K

LOAD CELLS /  
WEIGH MODULES



Picture is a representation of actual product.

### Approvals

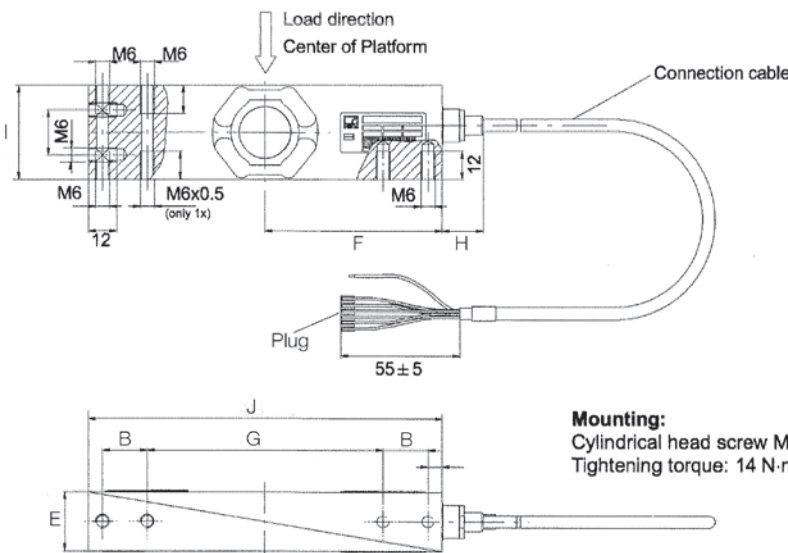


### Order Information

| Load Rating          | Part # | Est. Weight | Price    |
|----------------------|--------|-------------|----------|
| <b>10 ft Cable</b>   |        |             |          |
| 10 kg                | 108685 | 3 lb        | \$768.00 |
| 20 kg                | 108686 | 3 lb        | \$768.00 |
| 50 kg                | 108687 | 3 lb        | \$768.00 |
| 100 kg               | 108688 | 3 lb        | \$768.00 |
| <b>2.83 ft Cable</b> |        |             |          |
| 10 kg                | 107174 | 3 lb        | \$768.00 |
| 20 kg                | 107175 | 3 lb        | \$768.00 |
| 50 kg                | 107176 | 3 lb        | \$768.00 |
| 100 kg               | 107177 | 3 lb        | \$768.00 |

### Dimensions

| Rated Capacity | B    | E    | F    | G     | H    | I    | J     |
|----------------|------|------|------|-------|------|------|-------|
| kg/mm          |      |      |      |       |      |      |       |
| 10 to 100      | 19.0 | 25.0 | 75.0 | 100.0 | 17.5 | 40.0 | 150.0 |



### Interchangeable Products

HBK®  
PW15AH

### Specifications

- Full Scale Output:**  
2.0 mV/V
- Output Resistance:**  
350 (± 10) ohm
- Input Resistance:**  
380 (± 15) ohm
- Material/Finish:**  
Stainless steel
- Temperature:**  
Compensated range  
14 °F to 104 °F (-10 °C to 40 °C)  
Operating range  
0 °F to 150 °F (-18 °C to 65 °C)
- Seal Type:**  
Hermetically sealed, IP69K
- Safe Overload:**  
150% full scale
- Rated Excitation:**  
5 to 10 VDC (15 V maximum)
- Combined Error:**  
0.02% full scale
- Insulation Resistance:**  
1,000 megohm
- Cable Length:**  
10 ft  
2.83 ft
- Cable Diameter:**  
0.212 in PVC jacket
- Platform Size:**  
500 × 400 mm
- Cable Color Code:**  
Blue +Excitation  
Black -Excitation  
White +Signal  
Red -Signal  
Green +Sense  
Grey -Sense
- Warranty:**  
Two-year limited
- Approvals:**  
FM  
NTEP 09-015



Picture is a representation of actual product.

**Approvals**

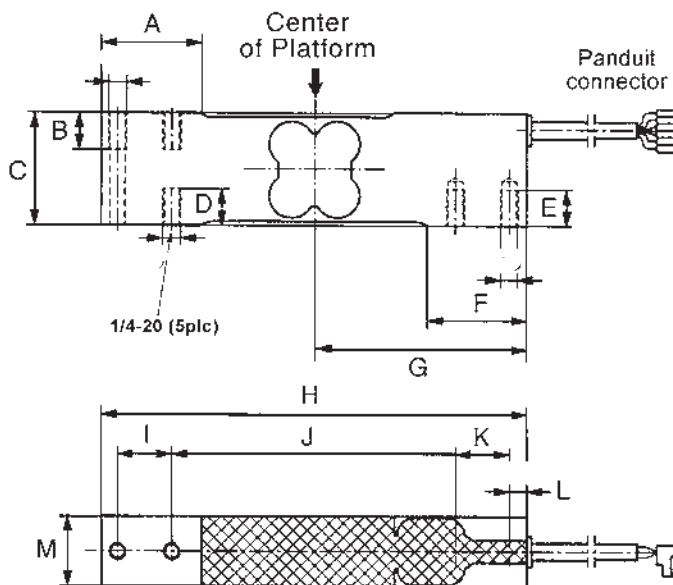


**Order Information**

| Load Rating | Part # | Est. Weight | Price    |
|-------------|--------|-------------|----------|
| 10 kg       | 119904 | 1 lb        | \$344.00 |
| 15 kg       | 119912 | 1 lb        | \$344.00 |
| 20 kg       | 119905 | 1 lb        | \$344.00 |
| 30 kg       | 119906 | 1 lb        | \$344.00 |
| 50 kg       | 119908 | 1 lb        | \$344.00 |
| 75 kg       | 119909 | 1 lb        | \$344.00 |
| 100 kg      | 119910 | 1 lb        | \$344.00 |
| 150 kg      | 119911 | 1 lb        | \$344.00 |

**Dimensions**

| Rated Capacity | A    | B    | C    | D    | E    | F    | G    | H     | I    | J     | K    | L   | M    | T          |
|----------------|------|------|------|------|------|------|------|-------|------|-------|------|-----|------|------------|
| kg/mm          |      |      |      |      |      |      |      |       |      |       |      |     |      |            |
| 10 to 150      | 35.0 | 13.0 | 40.0 | 13.0 | 13.0 | 35.0 | 75.0 | 150.0 | 19.0 | 100.0 | 19.0 | 6.2 | 25.0 | 1/4-20 UNC |



**Interchangeable Products**

- HBK®
- PW15**
- VPG® TEDEA-HUNTLEIGH
- 1142**

**Specifications**

- Full Scale Output:**  
2.0 mV/V
- Bridge Resistance:**  
350 ohm, nominal
- Material/Finish:**  
Stainless steel
- Temperature:**  
Compensated range  
14 °F to 104 °F (-10 °C to 40 °C)  
Operating range  
0 °F to 150 °F (-18 °C to 65 °C)
- Seal Type:**  
Environmentally sealed, IP67
- Safe Overload:**  
150% full scale
- Rated Excitation:**  
5 to 10 VDC (15 V maximum)
- Combined Error:**  
0.02% full scale
- Insulation Resistance:**  
1,000 megohm
- Cable Length:**  
10 ft
- Cable Diameter:**  
0.190 in PVC jacket
- Max Platform Size:**  
15 × 15 in
- Cable Color Code:**  
Blue +Excitation  
Black -Excitation  
White +Signal  
Red -Signal  
Green +Sense  
Grey -Sense
- Warranty:**  
Two-year limited
- Approvals:**  
FM  
NTEP 11-038

SINGLE POINT  
**RLPCBC-60**

Stainless Steel, Hermetically Sealed, NTEP Certified 1:5,000 Class III Single Cell, IP69K

LOAD CELLS /  
WEIGH MODULES



Picture is a representation of actual product.

Approvals

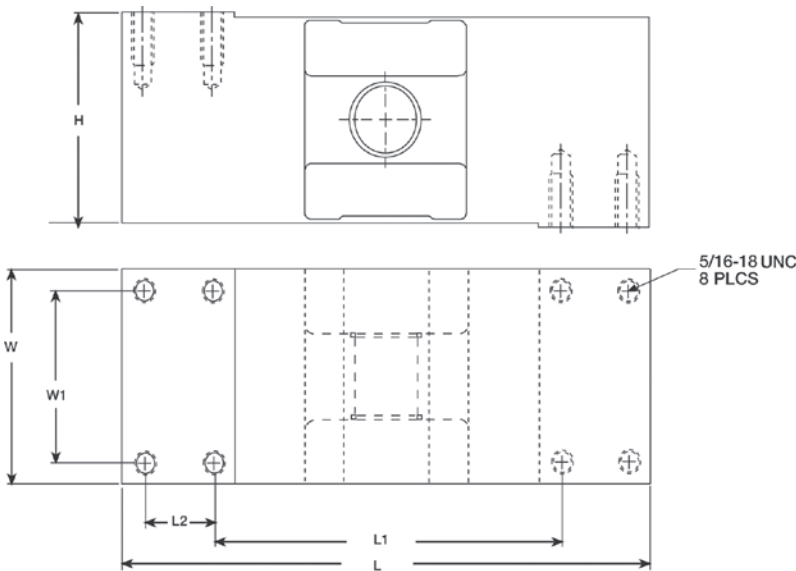


Order Information

| Load Rating | Part # | Est. Weight | Price    |
|-------------|--------|-------------|----------|
| 50 kg       | 87022  | 12 lb       | \$980.00 |
| 100 kg      | 87023  | 12 lb       | \$980.00 |
| 250 kg      | 87024  | 13 lb       | \$980.00 |
| 500 kg      | 87025  | 13 lb       | \$980.00 |
| 1,000 kg    | 87026  | 15 lb       | \$980.00 |

Dimensions

| Rated Capacity | L     | L1    | L2   | W    | W1   | H    |
|----------------|-------|-------|------|------|------|------|
| kg/mm          |       |       |      |      |      |      |
| 50 to 1,000    | 190.5 | 107.0 | 35.0 | 73.7 | 50.0 | 73.7 |



Specifications

- Full Scale Output:**  
2 mv/v
- Output Resistance:**  
960 (± 50) ohm
- Input Resistance:**  
1,100 (± 50) ohm
- Material/Finish:**  
Stainless steel
- Temperature:**  
Compensated range  
14 °F to 104 °F (-10 °C to 40 °C)  
Operating range  
0 °F to 150 °F (-18 °C to 65 °C)
- Seal Type:**  
Hermetically sealed, IP69K
- Safe Overload:**  
200% full scale
- Safe Sideload:**  
100% full scale
- Rated Excitation:**  
5 to 10 VDC
- Combined Error:**  
0.020% full scale
- Insulation Resistance:**  
5,000 megohm
- Cable Length:**  
10 ft
- Cable Diameter:**  
0.196 in  
Polyurethane jacket
- Cable Color Code:**  
Green +Excitation  
Black -Excitation  
White +Signal  
Red -Signal  
Blue +Sense  
Brown -Sense  
Yellow Shield
- Max Platform Size:**  
24 × 24 in
- Warranty:**  
Two-year limited
- Approvals:**  
FM  
NTEP 07-094



Picture is a representation of actual product.

**Approvals**

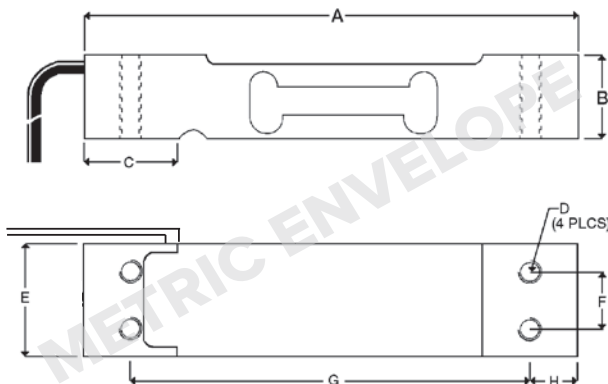


**Order Information:**

| Load Rating           | Part # | Est. Weight | Price    |
|-----------------------|--------|-------------|----------|
| <b>1.50 ft Cables</b> |        |             |          |
| 3 kg                  | 50620  | 1 lb        | \$148.00 |
| 5 kg                  | 50619  | 1 lb        | \$148.00 |
| 7 kg                  | 50621  | 1 lb        | \$148.00 |
| 10 kg                 | 50622  | 1 lb        | \$148.00 |
| 15 kg                 | 50623  | 1 lb        | \$148.00 |
| 20 kg                 | 50624  | 1 lb        | \$148.00 |
| 30 kg                 | 50625  | 1 lb        | \$148.00 |
| 35 kg                 | 50626  | 1 lb        | \$148.00 |
| <b>10 ft Cables</b>   |        |             |          |
| 3 kg                  | 132261 | 3lb         | \$148.00 |
| 5 kg                  | 132262 | 3lb         | \$148.00 |
| 7 kg                  | 132263 | 3lb         | \$148.00 |
| 10 kg                 | 132264 | 3lb         | \$148.00 |
| 15 kg                 | 132265 | 3lb         | \$148.00 |
| 20 kg                 | 132266 | 3lb         | \$148.00 |
| 30 kg                 | 132267 | 3lb         | \$148.00 |
| 35 kg                 | 132268 | 3lb         | \$148.00 |

**Dimension**

| Rated Capacity | A     | B    | C    | D        | E    | F    | G     | H    |
|----------------|-------|------|------|----------|------|------|-------|------|
| kg/mm          |       |      |      |          |      |      |       |      |
| 3 to 7         | 130.0 | 22.0 | 25.0 | M6 × 1.0 | 25.4 | 15.0 | 106.0 | 12.0 |
| 10 to 30       | 130.0 | 22.0 | 25.0 | M6 × 1.0 | 30.0 | 15.0 | 106.0 | 12.0 |
| 35             | 130.0 | 22.0 | 25.0 | M6 × 1.0 | 40.0 | 15.0 | 106.0 | 12.0 |



**Interchangeable Products**

- VPG® CELTRON
- LPS except 3 kg
- VPG® TEDEA-HUNTLEIGH
- 1022**
- VPG® BLH
- C2G1**
- FAIRBANKS®
- 4900 Series Checkweighers**
- NMB®
- C2G1**
- ARTECH®
- 61022**

**Specifications**

- Full Scale Output:**  
2.0 mV/V
- Output Resistance:**  
350 (± 3) ohm
- Input Resistance:**  
410 (± 15) ohm
- Material/Finish:**  
Aluminum
- Temperature:**  
Compensated range  
14 °F to 104 °F (-10 °C to 40 °C)  
Operating range  
0 °F to 150 °F (-18 °C to 65 °C)
- Seal Type:**  
Environmentally sealed, IP66
- Safe Overload:**  
150% full scale
- Rated Excitation:**  
5 to 10 VDC (15 V maximum)
- Combined Error:**  
0.03% full scale
- Insulation Resistance:**  
2,000 megohm
- Cable Length:**  
10 ft  
1.50 ft
- Cable Diameter:**  
0.14 in PVC jacket
- Cable Color Code:**  
Green +Excitation  
Black -Excitation  
Red +Signal  
White -Signal
- Max Platform Size:**  
13.75 × 13.75 in
- Warranty:**  
Two-year limited
- Approvals:**  
cFMus  
NTEP 98-166

**LOAD CELLS / WEIGH MODULES**

# RL1010

Aluminum, NTEP Certified 1:5,000 Class III Single Cell, Potted and Unpotted, IP65/IP67

LOAD CELLS /  
WEIGH MODULES



Picture is a representation of actual product.

### Approvals

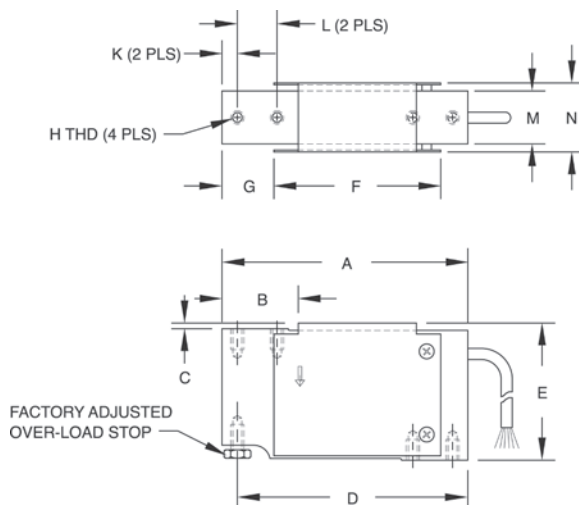


### Order Information

| Load Rating                         | Part # | Est. Weight | Price    |
|-------------------------------------|--------|-------------|----------|
| <b>NTEP Certified, Potted</b>       |        |             |          |
| 10 kg                               | 50819  | 2 lb        | \$205.00 |
| 15 kg                               | 50820  | 2 lb        | \$205.00 |
| 20 kg                               | 50821  | 2 lb        | \$205.00 |
| 30 kg                               | 50822  | 2 lb        | \$205.00 |
| 50 kg                               | 50823  | 2 lb        | \$205.00 |
| <b>Non-NTEP Certified, Potted</b>   |        |             |          |
| 7 kg                                | 17529  | 2 lb        | \$205.00 |
| 10 kg                               | 17530  | 2 lb        | \$205.00 |
| 15 kg                               | 17531  | 2 lb        | \$195.00 |
| 20 kg                               | 17532  | 2 lb        | \$205.00 |
| 30 kg                               | 17533  | 2 lb        | \$205.00 |
| 50 kg                               | 17534  | 2 lb        | \$205.00 |
| 90 kg                               | 17535  | 2 lb        | \$205.00 |
| <b>Non-NTEP Certified, Unpotted</b> |        |             |          |
| 3 kg                                | 17527  | 1 lb        | \$190.00 |
| 5 kg                                | 17528  | 1 lb        | \$190.00 |

### Dimensions

| Rated Capacity | A     | B    | C   | D     | E    | F    | G    | H                  | K   | L    | M    | N    |
|----------------|-------|------|-----|-------|------|------|------|--------------------|-----|------|------|------|
| kg/mm          |       |      |     |       |      |      |      |                    |     |      |      |      |
| 3 to 90        | 118.1 | 34.0 | 3.0 | 110.5 | 66.0 | 80.0 | 25.0 | 1/4-20 UNC x 13 DP | 7.5 | 19.1 | 25.4 | 33.5 |



### Interchangeable Products

VPG® TEDEA-HUNTLEIGH  
1010/1015

### Specifications

- Full Scale Output:** 2.0 mV/V
- Output Resistance:** 350 (± 3) ohm, nominal
- Input Resistance:** 415 (± 15) ohm
- Material/Finish:** Anodized aluminum
- Temperature:** Compensated range 14 °F to 104 °F (-10 °C to 40 °C)  
Operating range 0 °F to 150 °F (-18 °C to 65 °C)
- Seal Type:** Potted: IP67  
Unpotted: IP65
- Safe Overload:** 150% at center of loading point, full scale
- Rated Excitation:** 5 to 10 VDC (15 V maximum)
- Combined Error:** 0.02% full scale
- Insulation Resistance:** 5,000 megohm
- Deflection at Capacity:** 0.015 in
- Cable Length:** Potted: 10ft  
Unpotted: 3 ft
- Cable Diameter:** 0.200 in PVC jacket
- Cable Color Code:** Green +Excitation  
Black -Excitation  
Red +Signal  
White -Signal  
Blue +Sense  
Brown -Sense
- Max Platform Size:** 15.75 x 15.75 in
- Warranty:** Two-year limited
- Approvals:** cFMus  
NTEP 00-062





Picture is a representation of actual product.

**Approvals**

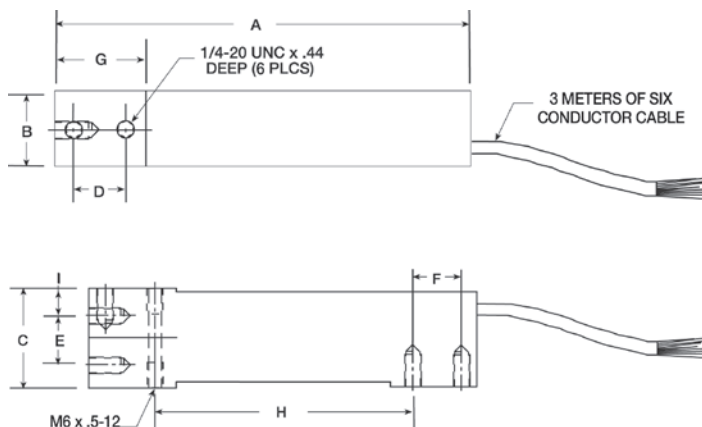


**Order Information**

| Load Rating               | Part # | Est. Weight | Price    |
|---------------------------|--------|-------------|----------|
| <b>NTEP Certified</b>     |        |             |          |
| 7 kg                      | 91725  | 2 lb        | \$222.00 |
| 10 kg                     | 91726  | 2 lb        | \$222.00 |
| 15 kg                     | 91727  | 2 lb        | \$222.00 |
| 20 kg                     | 91728  | 2 lb        | \$222.00 |
| 30 kg                     | 91729  | 2 lb        | \$222.00 |
| 50 kg                     | 91730  | 2 lb        | \$222.00 |
| 75 kg                     | 91731  | 2 lb        | \$222.00 |
| 100 kg                    | 91732  | 2 lb        | \$222.00 |
| <b>Non-NTEP Certified</b> |        |             |          |
| 5 kg                      | 91724  | 2 lb        | \$222.00 |

**Dimensions**

| Rated Capacity | A     | B    | C    | D    | E    | F    | G    | H    | I    |
|----------------|-------|------|------|------|------|------|------|------|------|
| kg/mm          |       |      |      |      |      |      |      |      |      |
| 5 to 100       | 150.3 | 25.4 | 39.9 | 19.1 | 19.1 | 19.1 | 33.8 | 99.6 | 11.4 |



**Interchangeable Products**

HBK®  
SP4M

**Specifications**

**Full Scale Output:**  
2.0 mV/V

**Output Resistance:**  
350 (± 3) ohm

**Input Resistance:**  
350 ohm

**Material/Finish:**  
Anodized aluminum

**Temperature:**  
Compensated range  
14 °F to 104 °F (-10 °C to 40 °C)  
Operating range  
0 °F to 150 °F (-18 °C to 65 °C)

**Seal Type:**  
Environmentally sealed, IP66

**Safe Overload:**  
150% full scale

**Rated Excitation:**  
5 to 10 VDC (15 V maximum)

**Combined Error:**  
0.02% full scale

**Insulation Resistance:**  
5,000 megohm

**Deflection at Capacity:**  
0.4 mm

**Cable Length:**  
10 ft

**Cable Diameter:**  
0.19 in PVC jacket

**Cable Color Code:**  
Green +Excitation  
Black -Excitation  
Red +Signal  
White -Signal  
Blue +Sense  
Brown -Sense  
Yellow Shield

**Max Platform Size:**  
5 to 10 kg: 12 × 12 in  
15 to 30 kg: 18 × 18 in  
50 to 100 kg: 24 × 24 in

**Warranty:**  
Two-year limited

**Approvals:**  
FM  
NTEP 05-114

LOAD CELLS / WEIGH MODULES

# RLPWM12

Aluminum, Environmentally Sealed, NTEP Certified 1:5,000 Class III Single Cell, IP67



LOAD CELLS / WEIGH MODULES



Picture is a representation of actual product.

### Approvals

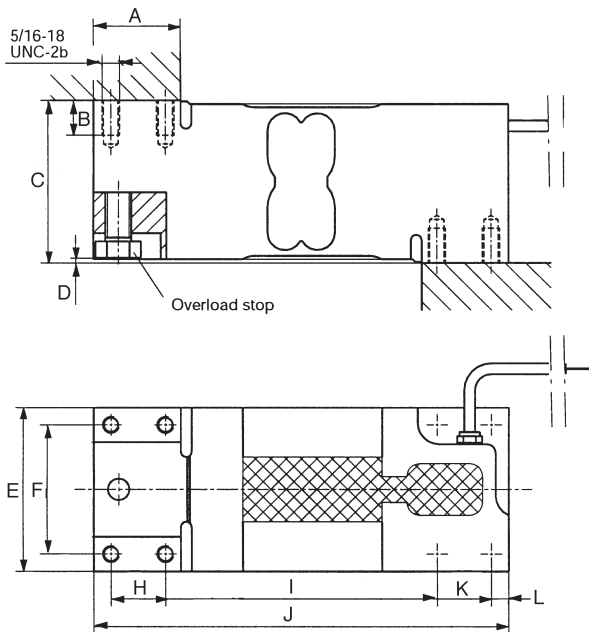


### Order Information

| Load Rating | Part # | Est. Weight | Price    |
|-------------|--------|-------------|----------|
| 150 kg      | 91677  | 6 lb        | \$334.00 |
| 500 kg      | 91681  | 6 lb        | \$334.00 |
| 1,000 kg    | 91683  | 6 lb        | \$334.00 |

### Dimensions

| Rated Capacity | A    | B    | C    | D   | E    | F    | H    | I     | J     | K    | L   |
|----------------|------|------|------|-----|------|------|------|-------|-------|------|-----|
| kg/mm          |      |      |      |     |      |      |      |       |       |      |     |
| 150 to 1,000   | 40.0 | 16.0 | 75.0 | 1.5 | 76.0 | 60.0 | 25.0 | 125.0 | 191.0 | 25.0 | 8.0 |



### Interchangeable Products

VPG® TEDEA-HUNTLEIGH  
1250

### Specifications

- Full Scale Output:**  
2.0 mV/V
- Output Resistance:**  
330 to 450 ohm, nominal
- Input Resistance:**  
300 to 500 ohm
- Material/Finish:**  
Aluminum
- Temperature:**  
Compensated range  
14 °F to 104 °F (-10 °C to 40 °C)  
Operating range  
0 °F to 150 °F (-18 °C to 65 °C)
- Seal Type:**  
Environmentally sealed, IP67
- Safe Overload:**  
150% full scale
- Rated Excitation:**  
5 to 10 VDC (15 V maximum)
- Combined Error:**  
0.02% full scale
- Insulation Resistance:**  
1,000 megohm
- Cable Length:**  
10 ft
- Cable Diameter:**  
0.190 in PVC jacket
- Cable Color Code:**  
Green +Excitation  
Black -Excitation  
Red +Signal  
White -Signal  
Blue +Sense  
Brown -Sense
- Warranty:**  
Two-year limited
- Max Platform Size:**  
30 × 30 in
- Approvals:**  
FM  
NTEP 05-113

**Discontinued**  
Limited Stock Available

SINGLE POINT  
**RLPWM16**

Aluminum, Environmentally Sealed, NTEP Certified 1:5,000 Class III Single Cell, IP67



Picture is a representation of actual product.

**Approvals**

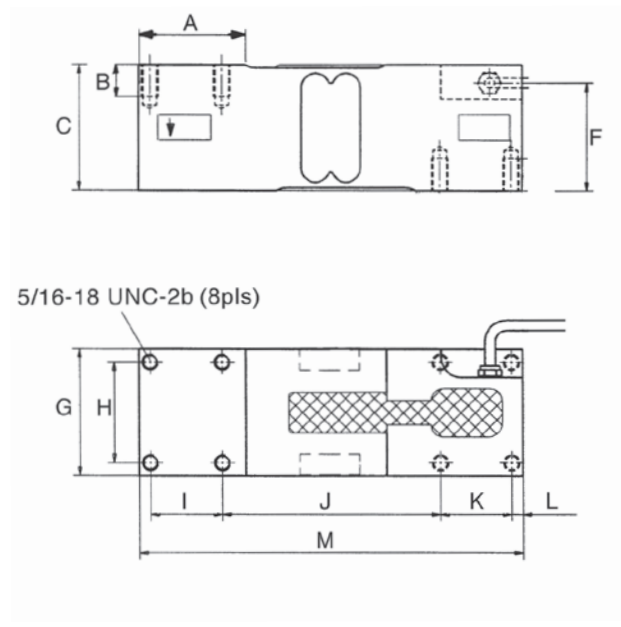


**Order Information**

| Load Rating | Part # | Est. Weight | Price    |
|-------------|--------|-------------|----------|
| 75 kg       | 91686  | 5 lb        | \$313.00 |

**Dimensions**

| Rated Capacity | A    | B    | C    | F    | G    | H    | I    | J     | K    | L   | M     |
|----------------|------|------|------|------|------|------|------|-------|------|-----|-------|
| kg/mm          |      |      |      |      |      |      |      |       |      |     |       |
| 75 to 150      | 52.0 | 16.0 | 62.3 | 52.3 | 63.0 | 50.0 | 35.0 | 107.0 | 35.0 | 5.5 | 188.0 |



5/16-18 UNC-2b (8pls)

**Interchangeable Products**

- RICE LAKE WEIGHING SYSTEMS  
**RL1260**
- VPG® TEDEA-HUNTLEIGH  
**1260**

**Specifications**

- Full Scale Output:** 2.0 mV/V
- Output Resistance:** 300 to 500 ohm
- Input Resistance:** 300 to 500 ohm
- Material/Finish:** Aluminum
- Temperature:** Compensated range 14 °F to 104 °F (-10 °C to 40 °C)  
Operating range 0 °F to 150 °F (-18 °C to 65 °C)
- Seal Type:** Environmentally sealed, IP67
- Safe Overload:** 150% full scale
- Rated Excitation:** 5 to 10 VDC (15 V maximum)
- Combined Error:** 0.02% full scale
- Insulation Resistance:** 1,000 megohm
- Cable Length:** 10 ft
- Cable Diameter:** 0.190 in PVC jacket
- Max Platform Size:** 24 × 24 in
- Deflection at Capacity:** 50 to 635 kg < 0.6 mm
- Cable Color Code:** Green +Excitation  
Black -Excitation  
Red +Signal  
White -Signal  
Blue +Sense  
Brown -Sense
- Warranty:** Two-year limited
- Approvals:** FM  
NTEP 05-112

**LOAD CELLS / WEIGH MODULES**

SINGLE POINT  
**RL1042**

Aluminum, Environmentally Sealed, NTEP Certified 1:5,000 Class III Single Cell, IP66



LOAD CELLS / WEIGH MODULES



Picture is a representation of actual product.

Approvals

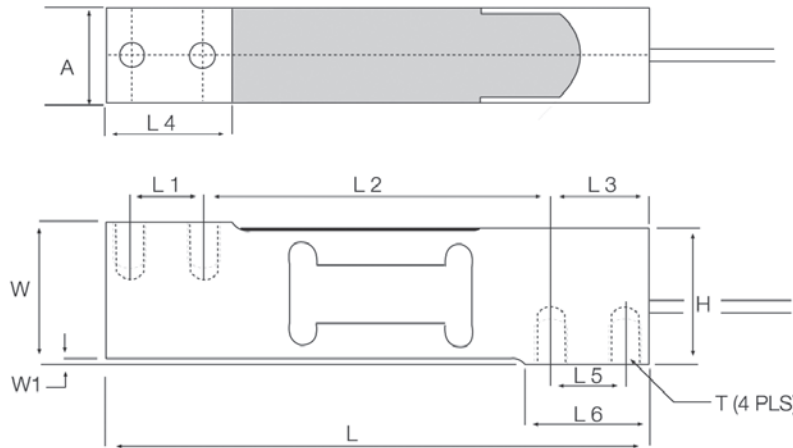


Order Information

| Load Rating | Part # | Est. Weight | Price    |
|-------------|--------|-------------|----------|
| 1 kg        | 40955  | 1 lb        | \$190.00 |
| 10 kg       | 40958  | 1 lb        | \$190.00 |
| 15 kg       | 40959  | 1 lb        | \$190.00 |
| 20 kg       | 40960  | 1 lb        | \$190.00 |

Dimensions

| Rated Capacity | A    | H    | L     | L1   | L2    | L3   | L4   | L5   | L6   | W    | W1  | T          |
|----------------|------|------|-------|------|-------|------|------|------|------|------|-----|------------|
| kg/mm          |      |      |       |      |       |      |      |      |      |      |     |            |
| 1 to 20        | 20.0 | 39.0 | 150.0 | 19.0 | 100.0 | 25.0 | 34.0 | 19.0 | 34.0 | 40.0 | 1.0 | 1/4-20 UNC |



Interchangeable Products

RICE LAKE WEIGHING SYSTEMS

**RLSP4**

VPG® TEDEA-HUNTLEIGH

**1042**

HBK®

**SP4M**

FLINTEC

**PC 42**

Specifications

**Full Scale Output:**

2.0 mV/V

**Output Resistance:**

350 (± 3) ohm

**Input Resistance:**

415 (± 15) ohm

**Material/Finish:**

Aluminum

**Temperature:**

Compensated range

14 °F to 104 °F (-10 °C to 40 °C)

Operating range

0 °F to 150 °F (-18 °C to 65 °C)

**Seal Type:**

Environmentally sealed, IP66

**Safe Overload:**

150% full scale

Over-center loading point

**Rated Excitation:**

5 to 10 VDC (15 V maximum)

**Combined Error:**

0.02% full scale

**Deflection at Capacity:**

0.015 in

**Insulation Resistance:**

2,000 megohm

**Cable Length:**

10 ft

**Cable Diameter:**

0.200 in PVC jacket

**Cable Color Code:**

Green +Excitation

Black -Excitation

Red +Signal

White -Signal

Blue +Sense

Brown -Sense

**Platform Size:**

16 × 16 in

**Warranty:**

Two-year limited

**Approvals:**

FM

NTEP 97-138



Picture is a representation of actual product.

**Approvals**

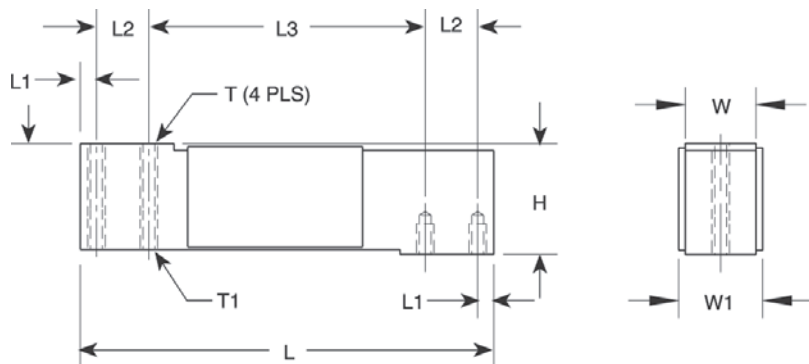


**Order Information**

| Load Rating          | Part # | Est. Weight | Price    |
|----------------------|--------|-------------|----------|
| <b>Potted IP67</b>   |        |             |          |
| 7 kg                 | 32860  | 2 lb        | \$206.00 |
| 10 kg                | 32861  | 2 lb        | \$206.00 |
| 15 kg                | 32862  | 2 lb        | \$206.00 |
| 20 kg                | 32863  | 2 lb        | \$206.00 |
| 30 kg                | 32864  | 2 lb        | \$206.00 |
| 50 kg                | 32865  | 2 lb        | \$206.00 |
| 100 kg               | 32866  | 2 lb        | \$206.00 |
| <b>Unpotted IP65</b> |        |             |          |
| 5 kg                 | 32859  | 2 lb        | \$206.00 |

**Dimensions**

| Rated Capacity | H    | L     | L1   | L2   | L3    | T                  | T1                 | W    | W1   |
|----------------|------|-------|------|------|-------|--------------------|--------------------|------|------|
| kg/mm          |      |       |      |      |       |                    |                    |      |      |
| 5 to 100       | 40.0 | 150.0 | 5.95 | 19.1 | 100.0 | 1/4-20 UNC × 10 DP | 1/4-28 UNF × 10 DP | 25.4 | 29.4 |



**Interchangeable Products**

VPG® TEDEA-HUNTLEIGH  
**1040**  
CARDINAL  
**TSP**

**Specifications**

- Full Scale Output:**  
2.0 mV/V
- Output Resistance:**  
350 (± 3) ohm
- Input Resistance:**  
415 (± 5) ohm
- Material/Finish:**  
Anodized aluminum
- Temperature:**  
Compensated range  
14 °F to 104 °F (-10 °C to 40 °C)  
Operating range  
0 °F to 150 °F (-18 °C to 65 °C)
- Seal Type:**  
Potted, IP67  
Unpotted, IP65
- Safe Overload:**  
200% at center loading point, full scale
- Rated Excitation:**  
5 to 10 VDC (15 V maximum)
- Combined Error:**  
0.02% full scale
- Insulation Resistance:**  
2,000 megohm
- Deflection at Capacity:**  
0.4 mm
- Cable Length:**  
10 ft
- Cable Diameter:**  
0.200 in PVC jacket
- Cable Color Code:**  
Green +Excitation  
Black -Excitation  
Red +Signal  
White -Signal  
Blue +Sense  
Brown -Sense
- Max Platform Size:**  
15.75 × 15.75 in
- Warranty:**  
Two-year limited
- Approvals:**  
cFMus  
NTEP 95-074

SINGLE POINT  
**RL1140**

Stainless Steel, Environmentally Sealed, Potted IP67

LOAD CELLS /  
WEIGH MODULES



Picture is a representation of actual product.

Approvals

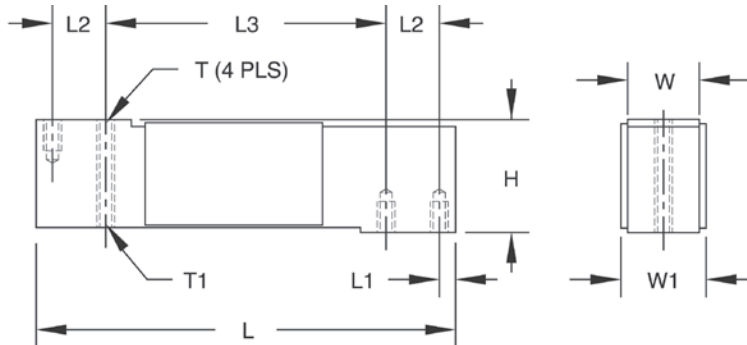


Order Information

| Load Rating | Part # | Est. Weight | Price    |
|-------------|--------|-------------|----------|
| 15 kg       | 17544  | 3 lb        | \$339.00 |
| 30 kg       | 17545  | 3 lb        | \$339.00 |
| 50 kg       | 17546  | 3 lb        | \$339.00 |
| 75 kg       | 17547  | 3 lb        | \$339.00 |
| 100 kg      | 17548  | 3 lb        | \$339.00 |
| 150 kg      | 36467  | 3 lb        | \$339.00 |

Dimensions

| Rated Capacity | H    | L     | L1  | L2   | L3    | T                  | T1                 | W    | W1   |
|----------------|------|-------|-----|------|-------|--------------------|--------------------|------|------|
| kg/mm          |      |       |     |      |       |                    |                    |      |      |
| 15 to 150      | 40.0 | 150.0 | 6.0 | 19.1 | 100.0 | 1/4-20 UNC × 10 DP | 1/4-28 UNF × 10 DP | 25.4 | 29.4 |



Interchangeable Products

VPG® TEDEA-HUNTLEIGH  
**1140**

Specifications

- Full Scale Output:** 2.0 mV/V
- Output Resistance:** 350 (± 3) ohm, nominal
- Input Resistance:** 415 (± 15) ohm
- Material/Finish:** Stainless steel
- Temperature:** Operating range 0 ° F to 150 ° F (-18 ° C to 65 ° C)
- Seal Type:** Environmentally sealed, IP67
- Safe Overload:** 200% at center loading point, full scale
- Rated Excitation:** 5 to 10 VDC (15 V maximum)
- Combined Error:** 0.02% full scale
- Insulation Resistance:** 2,000 megohm
- Deflection at Capacity:** 0.4 mm
- Cable Length:** 10 ft
- Cable Diameter:** 0.200 in PVC jacket
- Cable Color Code:** Green +Excitation, Black -Excitation, Red +Signal, White -Signal, Blue +Sense, Brown -Sense
- Max Platform Size:** 15.75 × 15.75 in
- Warranty:** Two-year limited
- Approvals:** cFMus



Picture is a representation of actual product.

**Approvals**

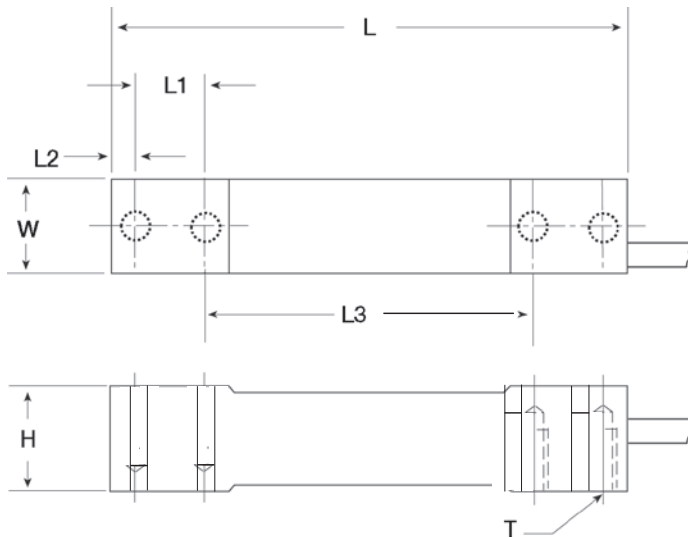


**Order Information**

| Load Rating | Part #       | Est. Weight | Price    |
|-------------|--------------|-------------|----------|
| 7 kg        | <b>30783</b> | 2 lb        | \$344.50 |
| 10 kg       | <b>30782</b> | 2 lb        | \$344.50 |
| 15 kg       | <b>30781</b> | 2 lb        | \$344.50 |
| 30 kg       | <b>30780</b> | 2 lb        | \$344.50 |
| 60 kg       | <b>30779</b> | 2 lb        | \$344.50 |

**Dimensions**

| Rated Capacity | W    | L     | L1   | L2  | L3   | T          | H    |
|----------------|------|-------|------|-----|------|------------|------|
| kg/mm          |      |       |      |     |      |            |      |
| 7 to 15        | 19.1 | 139.7 | 19.1 | 6.4 | 88.9 | 1/4-20 UNC | 30.2 |
| 30 to 60       | 23.9 | 139.7 | 19.1 | 6.4 | 88.9 | 1/4-20 UNC | 30.2 |



**Interchangeable Products**

HBK®  
**PWS**

**Specifications**

**Full Scale Output:**  
2.0mV/V

**Output Resistance:**  
359 (± 10) ohm

**Input Resistance:**  
390 (± 15) ohm

**Material/Finish:**  
Stainless steel

**Temperature:**  
Compensated range  
14 °F to 104 °F (-10 °C to 40 °C)  
Operating range  
0 °F to 150 °F (-18 °C to 65 °C)

**Seal Type:**  
Environmentally sealed, IP67

**Safe Overload:**  
150% full scale

**Rated Excitation:**  
5 to 10 VDC (15 V maximum)

**Combined Error:**  
0.03% full scale

**Insulation Resistance:**  
5,000 megohm

**Cable Length:**  
10 ft

**Cable Diameter:**  
0.190 in polyurethane jacket

**Deflection:**  
<0.4 mm full scale

**Max Platform Size:**  
15.75 × 15.75 in

**Cable Color Code:**  
Green +Excitation  
Black -Excitation  
White +Signal  
Red -Signal  
Yellow Shield

**Warranty:**  
Two-year limited

**Approvals:**  
FM  
NTEP 94-128

SINGLE POINT  
**RL1385**

Stainless Steel, Environmentally Sealed, NTEP Certified 1:4,500 Class III Single Cell, IP67

LOAD CELLS /  
WEIGH MODULES



Picture is a representation of actual product.

Approvals

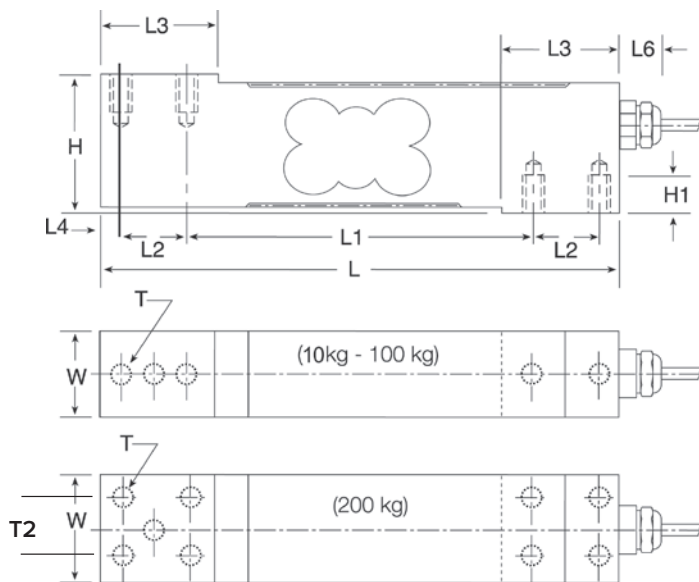


Order Information

| Load Rating               | Part # | Est. Weight | Price    |
|---------------------------|--------|-------------|----------|
| <b>NTEP Certified</b>     |        |             |          |
| 10 kg                     | 41405  | 3 lb        | \$328.00 |
| 15 kg                     | 41233  | 3 lb        | \$328.00 |
| 30 kg                     | 41234  | 3 lb        | \$328.00 |
| 50 kg                     | 41235  | 3 lb        | \$328.00 |
| 75 kg                     | 41236  | 3 lb        | \$328.00 |
| <b>Non-NTEP Certified</b> |        |             |          |
| 100 kg                    | 41237  | 3 lb        | \$310.00 |
| 200 kg                    | 41406  | 4 lb        | \$477.00 |

Dimensions

| Rated Capacity | H    | H1   | L     | L1    | L2   | L3   | L4  | L6   | W    | T                    | T2   |
|----------------|------|------|-------|-------|------|------|-----|------|------|----------------------|------|
| kg/mm          |      |      |       |       |      |      |     |      |      |                      |      |
| 10 to 100      | 40.0 | 10.0 | 150.0 | 100.0 | 19.0 | 32.0 | 6.0 | 20.0 | 25.4 | 1/4-20 UNC x 19.1 DP | N/A  |
| 200            | 40.0 | 10.0 | 150.0 | 100.0 | 19.0 | 32.0 | 6.0 | 20.0 | 38.1 | 1/4-20 UNC x 19.1 DP | 25.4 |



Interchangeable Products

FLINTEC  
PC1

Specifications

- Full Scale Output:** 2.0 mV/V
- Output Resistance:** 330 (± 25) ohm
- Input Resistance:** 390 (± 20) ohm
- Material/Finish:** Stainless steel
- Temperature:** Operating range 0 °F to 150 °F (-18 °C to 65 °C)
- Seal Type:** Environmentally sealed, IP67
- Safe Overload:** 200% full scale
- Rated Excitation:** 5 VDC (15 V maximum)
- Combined Error:** 0.02% full scale
- Insulation Resistance:** 5,000 megohm
- Cable Length:** 10 ft
- Cable Diameter:** 0.196 in polyurethane jacket
- Max Platform Size:** 18 × 18 in
- Cable Color Code:** Green +Excitation, Black -Excitation, White +Signal, Red -Signal, Yellow Shield
- Warranty:** Two-year limited
- Approvals:** FM, NTEP 00-125





Picture is a representation of actual product.

**Approvals**

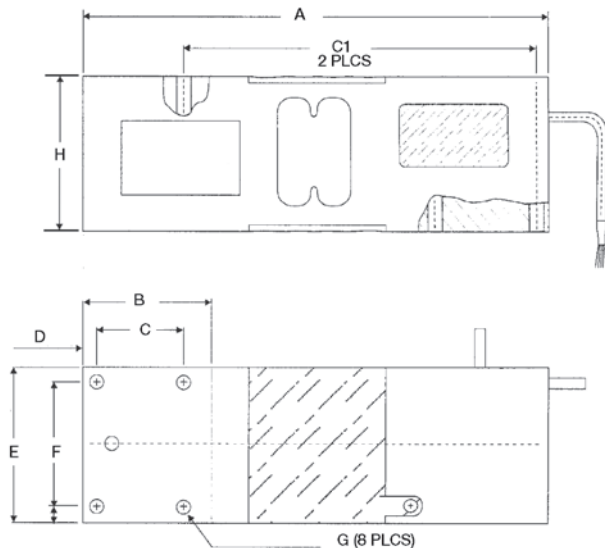


**Order Information**

| Load Rating | Part # | Est. Weight | Price    |
|-------------|--------|-------------|----------|
| 75 kg       | 41021  | 5 lb        | \$328.00 |
| 100 kg      | 41022  | 5 lb        | \$328.00 |
| 250 kg      | 41024  | 5 lb        | \$328.00 |
| 300 kg      | 41025  | 5 lb        | \$328.00 |
| 500 kg      | 41026  | 5 lb        | \$328.00 |
| 635 kg      | 41027  | 5 lb        | \$328.00 |

**Dimensions**

| Rated Capacity | A     | B    | C    | C1    | D   | E    | F    | G           | H    |
|----------------|-------|------|------|-------|-----|------|------|-------------|------|
| kg/mm          |       |      |      |       |     |      |      |             |      |
| 75 to 635      | 188.0 | 52.0 | 35.0 | 142.0 | 5.5 | 63.5 | 50.0 | 5/16-18 UNC | 62.3 |



**Interchangeable Products**

RICE LAKE WEIGHING SYSTEMS  
**RLPWM16**  
VPG® TEDEA-HUNTLEIGH  
**1260**

**Specifications**

- Full Scale Output:**  
2.0 mV/V
- Output Resistance:**  
350 (± 3) ohm
- Input Resistance:**  
415 (± 15) ohm
- Material/Finish:**  
Anodized aluminum
- Temperature:**  
Compensated range  
14 °F to 104 °F (-10 °C to 40 °C)  
Operating range  
0 °F to 150 °F (-18 °C to 65 °C)
- Seal Type:**  
Environmentally sealed, IP67
- Safe Overload:**  
150% of full scale at center loading point
- Rated Excitation:**  
5 to 10 VDC (15 V maximum)
- Combined Error:**  
0.02% full scale
- Insulation Resistance:**  
5,000 megohm
- Cable Length:**  
10 ft
- Cable Diameter:**  
0.220 in polyurethane jacket
- Max Platform Size:**  
24 × 24 in
- Cable Color Code:**  
Green +Excitation  
Black -Excitation  
Red +Signal  
White -Signal  
Blue +Sense  
Brown -Sense
- Warranty:**  
Two-year limited
- Approvals:**  
cFMus  
NTEP 97-139

SINGLE POINT  
**RL260FD**

Fluid Damped, Stainless Steel, Environmentally Sealed, NTEP Certified Single Cell 1:3,000, IP68

LOAD CELLS /  
WEIGH MODULES



Picture is a representation of actual product.

Approvals

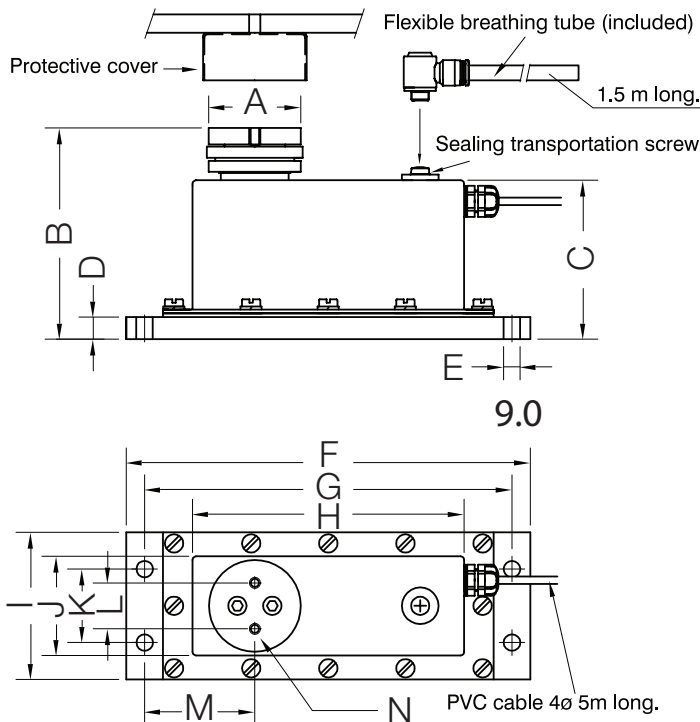


Order Information

| Load Rating | Part # | Est. Weight | Price    |
|-------------|--------|-------------|----------|
| 2 kg        | 194928 | 8 lb        | \$710.00 |
| 3 kg        | 199001 | 8 lb        | \$710.00 |
| 5 kg        | 194929 | 8 lb        | \$710.00 |
| 7 kg        | 194930 | 8 lb        | \$710.00 |
| 10 kg       | 194932 | 8 lb        | \$710.00 |
| 15 kg       | 194933 | 8 lb        | \$710.00 |
| 20 kg       | 194934 | 8 lb        | \$710.00 |
| 30 kg       | 194935 | 8 lb        | \$710.00 |
| 50 kg       | 194936 | 16 lb       | \$710.00 |

Dimensions

| Rated Capacity | A      | B     | C    | D    | E   | F     | G     | H     | I    | J    | K    | L    | M    | N          |
|----------------|--------|-------|------|------|-----|-------|-------|-------|------|------|------|------|------|------------|
| kg/mm          |        |       |      |      |     |       |       |       |      |      |      |      |      |            |
| 2 to 50        | 50 dia | 115.0 | 86.5 | 12.0 | 9.0 | 220.0 | 200.0 | 148.0 | 80.0 | 54.0 | 40.0 | 25.0 | 60.0 | 1/4-20 UNC |



Interchangeable Products

VPG® TEDEA-HUNTLEIGH  
**240\***

\*5000d NTEP, 10ft cable

Specifications

**Full Scale Output:**  
2.0 mV/V

**Output Resistance:**  
350 (± 3) ohm

**Input Resistance:**  
400 (± 20) ohm

**Material/Finish:**  
Stainless steel

**Temperature:**  
Compensated range  
14 °F to 104 °F (-10 °C to 40 °C)  
Operating range  
0 °F to 150 °F (-18 °C to 65 °C)

**Seal Type:**  
Environmentally sealed, IP68

**Safe Overload:**  
200% of full scale

**Rated Excitation:**  
5 to 10 VDC

**Combined Error:**  
0.017% full scale

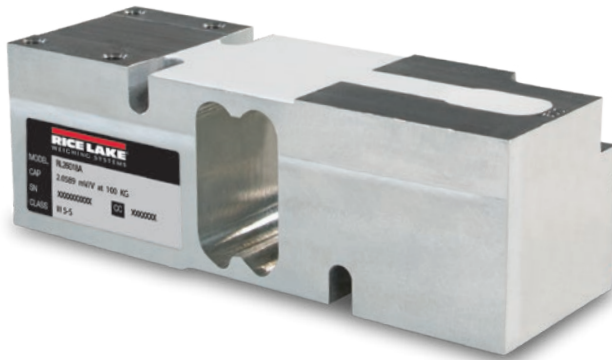
**Insulation Resistance:**  
> 5,000 megohm

**Cable Length:**  
5 m

**Cable Color Code:**  
Green +Excitation  
Black -Excitation  
Red +Signal  
White -Signal  
Blue +Sense  
Yellow -Sense

**Warranty:**  
Two-year limited

**Approvals:**  
NTEP 20-045  
cFMus



Picture is a representation of actual product.

**Approvals**

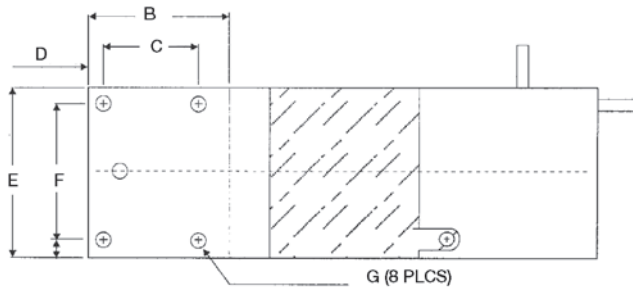
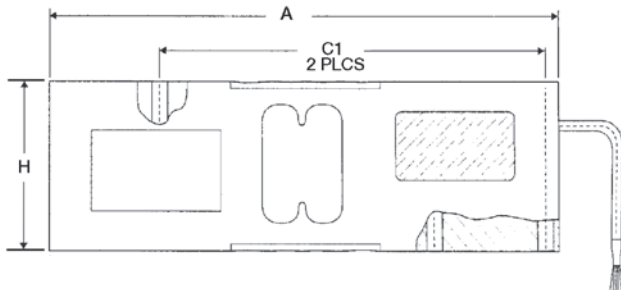


**Order Information**

| Load Rating | Part #        | Est. Weight | Price    |
|-------------|---------------|-------------|----------|
| 50 kg       | <b>188682</b> | 5 lb        | \$290.00 |
| 75 kg       | <b>188683</b> | 5 lb        | \$290.00 |
| 100 kg      | <b>188684</b> | 5 lb        | \$290.00 |
| 150 kg      | <b>188685</b> | 5 lb        | \$290.00 |
| 200 kg      | <b>188686</b> | 5 lb        | \$290.00 |
| 250 kg      | <b>188687</b> | 5 lb        | \$290.00 |
| 300 kg      | <b>188688</b> | 5 lb        | \$290.00 |
| 500 kg      | <b>188689</b> | 5 lb        | \$290.00 |
| 635 kg      | <b>188690</b> | 5 lb        | \$290.00 |

**Dimensions**

| Rated Capacity | A     | B    | C    | C1    | D   | E    | F    | G           | H    |
|----------------|-------|------|------|-------|-----|------|------|-------------|------|
| kg/mm          |       |      |      |       |     |      |      |             |      |
| 50 to 635      | 188.0 | 52.0 | 35.0 | 142.0 | 5.5 | 63.5 | 50.0 | 5/16-18 UNC | 62.3 |



**Interchangeable Products**

RICE LAKE WEIGHING SYSTEMS  
**RL1260**

RICE LAKE WEIGHING SYSTEMS  
**RLPWM16**

VPG® TEDEA-HUNTLEIGH®  
**1260**

**Specifications**

**Full Scale Output:**

2.0 mV/V nominal

**Output Resistance:**

350 (± 3) ohm

**Input Resistance:**

415 (± 15) ohm

**Material/Finish:**

Anodized aluminum

**Temperature:**

Compensated range

14 °F to 104 °F (-10 °C to 40 °C)

Operating range

0 °F to 150 °F (-18 °C to 65 °C)

**Seal Type:**

Environmentally sealed, IP67

**Safe Overload:**

150% of full scale

**Rated Excitation:**

5 to 10 VDC (15 V maximum)

**Insulation Resistance:**

>5,000 megohm

**Combined Error:**

0.02% full scale

**Deflection:**

0.3 to 0.5 mm

**Cable Length:**

10 ft

**Cable Color Code:**

Green +Excitation

Black -Excitation

Red +Signal

White -Signal

**Warranty:**

Two-year limited

**Approvals:**

cFMus

NTEP 18-108

LOAD CELLS /  
WEIGH MODULES

SINGLE POINT  
**RL1218A**

Aluminum, Environmentally Sealed, NTEP Certified 1:5,000 Class III Single Cell, IP67

LOAD CELLS /  
WEIGH MODULES



Picture is a representation of actual product.

Approvals

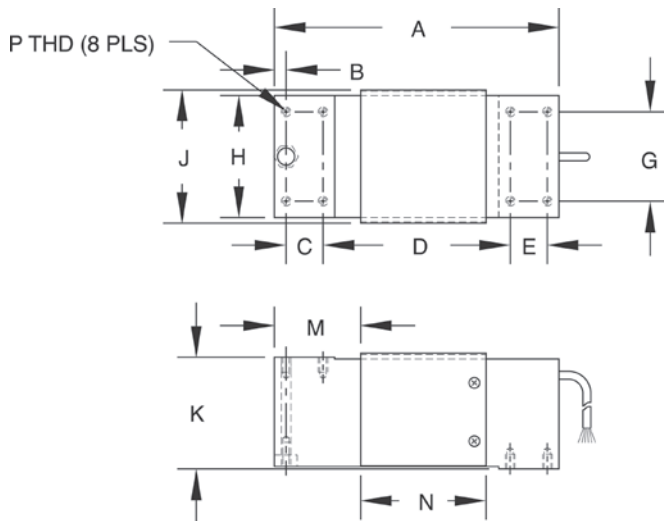


Order Information

| Load Rating | Part # | Est. Weight | Price    |
|-------------|--------|-------------|----------|
| 50 kg       | 191096 | 5 lb        | \$328.00 |
| 75 kg       | 191097 | 5 lb        | \$328.00 |
| 100 kg      | 191098 | 5 lb        | \$328.00 |
| 150 kg      | 191099 | 5 lb        | \$328.00 |
| 200 kg      | 191100 | 5 lb        | \$328.00 |
| 250 kg      | 191101 | 5 lb        | \$328.00 |
| 300 kg      | 191102 | 5 lb        | \$328.00 |
| 500 kg      | 191103 | 5 lb        | \$328.00 |
| 635 kg      | 191104 | 5 lb        | \$328.00 |
| 1,000 kg    | 191105 | 5 lb        | \$328.00 |

Dimensions

| Rated Capacity | A     | B   | C    | D     | E    | G    | H    | J    | K    | M    | N    | P                  |
|----------------|-------|-----|------|-------|------|------|------|------|------|------|------|--------------------|
| kg/mm          |       |     |      |       |      |      |      |      |      |      |      |                    |
| 50 to 1,000    | 191.0 | 8.0 | 25.0 | 125.0 | 25.0 | 60.0 | 75.0 | 82.0 | 75.0 | 57.5 | 85.0 | 5/16-18UNC x 15 DP |

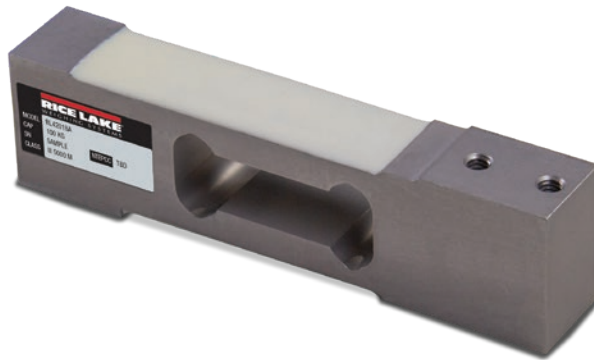


Interchangeable Products

RICE LAKE WEIGHING SYSTEMS  
**RLPWM12**  
VPG® TEDEA-HUNTLEIGH®  
**1250**

Specifications

- Full Scale Output:** 2.0 mV/V nominal
- Output Resistance:** 350 (± 3) ohm
- Input Resistance:** 415 (± 15) ohm
- Material/Finish:** Anodized aluminum
- Temperature:** Compensated range 14 °F to 104 °F (-10 °C to 40 °C)  
Operating range 0 °F to 150 °F (-18 °C to 65 °C)
- Seal Type:** Environmentally sealed, IP67
- Safe Overload:** 150% full scale
- Rated Excitation:** 5-10 VDC (15 V maximum)
- Insulation Resistance:** >5,000 megohm
- Combined Error:** 0.02% full scale
- Deflection:** 0.4 mm
- Max Platform Size:** 50 to 500 kg: 800 × 800 mm  
635 to 1,000 kg: 600 × 600 mm
- Cable Length:** 10 ft
- Cable Color Code:** Green +Excitation  
Black -Excitation  
Red +Signal  
White -Signal  
Blue +Sense  
Yellow -Sense
- Warranty:** Two-year limited
- Approvals:** cFMus  
NTEP 18-133



Picture is a representation of actual product.

**Approvals**

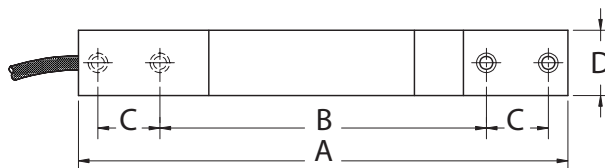
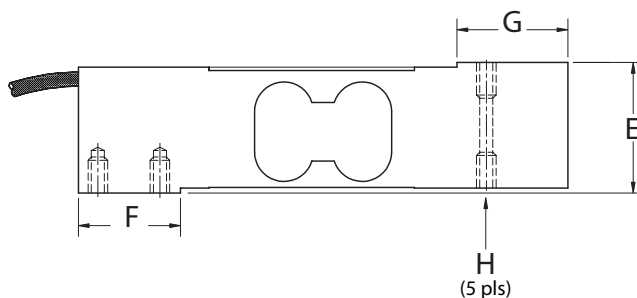


**Order Information**

| Load Rating | Part #        | Est. Weight | Price    |
|-------------|---------------|-------------|----------|
| 3 kg        | <b>188672</b> | 2 lb        | \$190.00 |
| 5kg         | <b>188673</b> | 2lb         | \$190.00 |
| 7 kg        | <b>188674</b> | 2 lb        | \$180.00 |
| 10 kg       | <b>188675</b> | 2 lb        | \$190.00 |
| 15 kg       | <b>188676</b> | 2 lb        | \$190.00 |
| 20 kg       | <b>188677</b> | 2 lb        | \$190.00 |
| 30 kg       | <b>188678</b> | 2 lb        | \$190.00 |
| 50 kg       | <b>188679</b> | 2 lb        | \$190.00 |
| 75 kg       | <b>188680</b> | 2 lb        | \$190.00 |
| 100 kg      | <b>188681</b> | 2 lb        | \$190.00 |

**Dimensions**

| Rated Capacity | A     | B     | C    | D    | E    | F    | G    | H          |
|----------------|-------|-------|------|------|------|------|------|------------|
| kg/mm          |       |       |      |      |      |      |      |            |
| 3 to 30        | 150.0 | 100.0 | 19.0 | 20.0 | 40.0 | 31.2 | 34.0 | 1/4-20 UNC |
| 50 to 100      | 150.0 | 100.0 | 19.0 | 25.4 | 40.0 | 31.2 | 34.0 | 1/4-20 UNC |



**Interchangeable Products**

RICE LAKE WEIGHING SYSTEMS

**RL1042**

RICE LAKE WEIGHING SYSTEMS

**RLSP4**

VPG® TEDEA-HUNTLEIGH®

**1042**

HBK®

**SP4M\***

\*Color code is different

**Specifications**

**Full Scale Output:**

2.0 mV/V ±10%

**Output Resistance:**

350 (± 3) ohm

**Input Resistance:**

400 (± 20) ohm

**Material/Finish:**

Aluminum

**Temperature:**

Compensated range

14 °F to 104 °F/-10 °C to 40 °C

Operating range

0 °F to 150 °F/-18 °C to 65 °C

**Seal Type:**

Environmentally sealed, IP66

**Safe Overload:**

150% of full scale at center loading point

**Rated Excitation:**

10 VDC

**Combined Error:**

0.02% full scale

**Insulation Resistance:**

>5,000 megohm

**Deflection:**

0.3 to 0.5 mm

**Cable Length:**

10 ft

**Cable Color Code:**

Green +Excitation

Black -Excitation

Red +Signal

White -Signal

Blue +Sense

Yellow -Sense

**Platform Size:**

15.75 × 15.75 in max

**Warranty:**

Two-year limited

**Approvals:**

cFMus

NTEP 18-105



LOAD CELLS / WEIGH MODULES



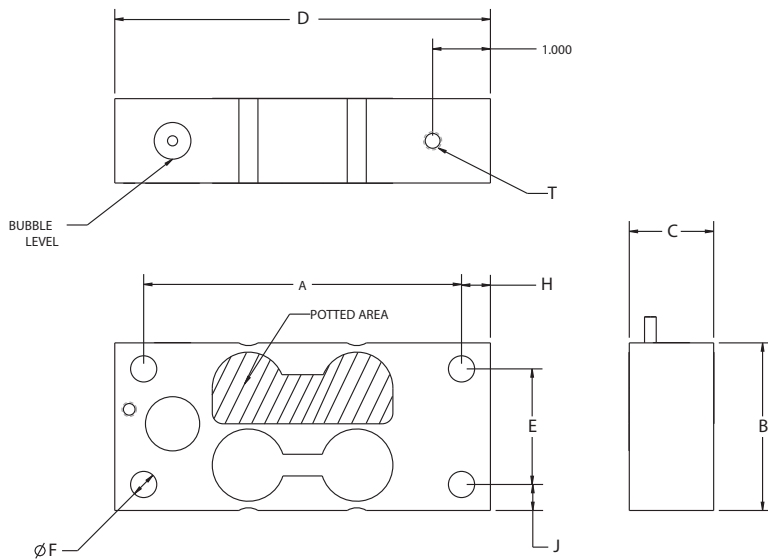
Picture is a representation of actual product.

### Order Information

| Load Rating | Part # | Est. Weight | Price    |
|-------------|--------|-------------|----------|
| 50 lb       | 125612 | 3 lb        | \$650.00 |
| 75 lb       | 125613 | 3 lb        | \$650.00 |

### Dimensions

| Rated Capacity | A    | B    | C    | D    | E    | F    | H    | J    | T                  |
|----------------|------|------|------|------|------|------|------|------|--------------------|
| lb/in          |      |      |      |      |      |      |      |      |                    |
| 50 to 75       | 5.50 | 2.90 | 0.74 | 6.50 | 2.00 | 0.50 | 0.50 | 0.45 | 5/16-18 UNC x 0.50 |

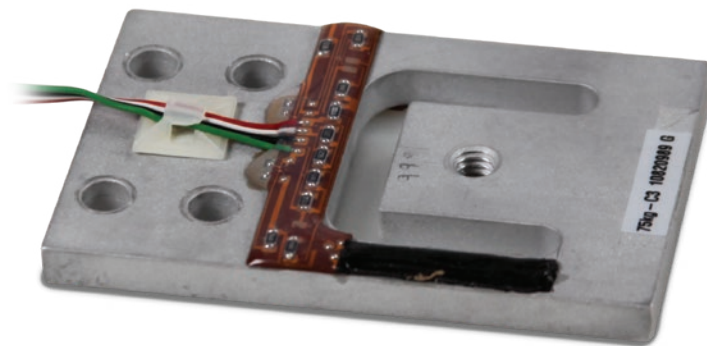


### Interchangeable Products

AVERY WEIGH-TRONIX®  
FLS

### Specifications

- Full Scale Output:**  
1.0 (± 10%) mV/V
- Output Resistance:**  
350 (± 3) ohm
- Input Resistance:**  
385 (± 10) ohm
- Material/Finish:**  
Stainless steel
- Temperature:**  
Operating range  
0 °F to 150 °F (-18 °C to 65 °C)
- Seal Type:**  
Environmentally sealed, IP67
- Safe Overload:**  
150% full scale
- Rated Excitation:**  
5 to 15 VDC
- Hysteresis:**  
0.02% full scale
- Non-Linearity:**  
0.02% full scale
- Insulation Resistance:**  
5,000 megohm
- Cable Length:**  
10 ft
- Cable Color Code:**  
Green +Excitation  
Black -Excitation  
Red +Signal  
White -Signal
- Warranty:**  
Two-year limited



Picture is a representation of actual product.

**Interchangeable Products**

FLINTEC®  
PB

**Specifications**

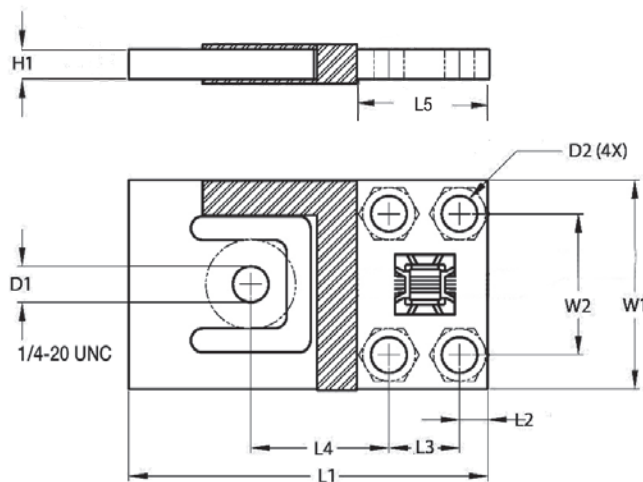
- Full Scale Output:**  
1.0 mV/V
- Output Resistance:**  
1,000 (± 10) ohm
- Input Resistance:**  
1,180 (± 50) ohm
- Material/Finish:**  
Aluminum
- Temperature:**  
Operating range  
0 °F to 150 °F (-18 °C to 65 °C)
- Seal Type:**  
Environmentally sealed, IP65
- Safe Overload:**  
150% full scale
- Rated Excitation:**  
5 to 15 VDC
- Combined Error:**  
0.05% full scale
- Insulation Resistance:**  
5,000 megohm
- Cable Length:**  
15 kg: 1.0 m  
37.5kg, 75kg, 150kg: 1.5 m
- Cable Color Code:**  
Green +Excitation  
Black -Excitation  
White +Signal  
Red -Signal
- Warranty:**  
Two-year limited

**Order Information**

| Load Rating | Part # | Est. Weight | Price    |
|-------------|--------|-------------|----------|
| 15 kg       | 100272 | 1 lb        | \$87.00  |
| 37.5 kg     | 104645 | 1 lb        | \$92.00  |
| 75 kg       | 100273 | 1 lb        | \$97.00  |
| 150 kg      | 100274 | 1 lb        | \$102.00 |

**Dimensions**

| Rated Capacity | L1    | L2  | L3   | L4   | L5   | W1   | W2   | H1  | D1  | D2  |
|----------------|-------|-----|------|------|------|------|------|-----|-----|-----|
| kg/mm          |       |     |      |      |      |      |      |     |     |     |
| 15             | 70.0  | 4.9 | 14.0 | 28.0 | 23.7 | 39.0 | 27.8 | 4.1 | 7.6 | 5.1 |
| 37.5           | 76.2  | 6.0 | 15.0 | 29.3 | 27.0 | 44.5 | 30.0 | 4.8 | 7.6 | 6.6 |
| 75             | 84.4  | 6.4 | 15.0 | 34.0 | 27.7 | 54.8 | 30.0 | 6.4 | 7.6 | 6.6 |
| 150            | 107.3 | 7.8 | 22.9 | 45.9 | 38.4 | 69.9 | 44.5 | 7.9 | 9.1 | 8.1 |





Picture is a representation of actual product.

### Specifications

- Full Scale Output:**  
3.0 (± 0.1%) mV/V
- Bridge Resistance:**  
350 ohm, nominal
- Material/Finish:**  
Stainless steel
- Temperature:**  
Operating range  
0 °F to 150 °F (-18 °C to 65 °C)
- Seal Type:**  
Environmentally sealed, IP67
- Safe Overload:**  
150% full scale
- Rated Excitation:**  
5 to 10 VDC (15 V maximum)
- Linearity:**  
0.05% full scale
- Repeatability:**  
0.03% full scale
- Insulation Resistance:**  
5,000 megohm
- Cable Length:**  
40 ft
- Cable Diameter:**  
0.25 in  
Polyurethane jacket with connector
- Cable Color Code:**  
Green +Excitation  
Black -Excitation  
White +Signal  
Red -Signal
- Warranty:**  
Two-year limited

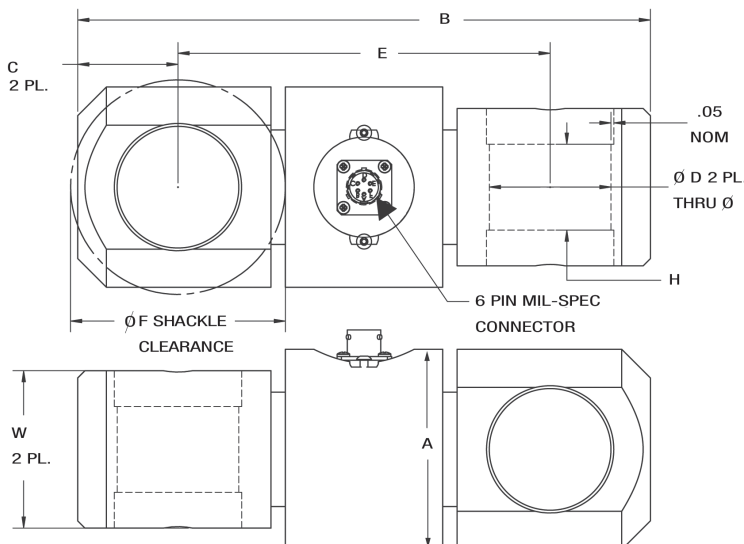
### Order Information

| Load Rating              | Part #        | Est. Weight | Price      |
|--------------------------|---------------|-------------|------------|
| 5,000 lb                 | <b>117731</b> | 5 lb        | \$1,430.00 |
| 10,000 lb                | <b>117732</b> | 5 lb        | \$1,430.00 |
| 25,000 lb                | <b>117733</b> | 8 lb        | \$1,690.00 |
| 50,000 lb                | <b>117735</b> | 34 lb       | \$2,915.00 |
| 75,000 lb                | <b>117736</b> | 34 lb       | \$2,915.00 |
| 100,000 lb               | <b>117737</b> | 56 lb       | \$3,127.00 |
| 150,000 lb               | <b>117738</b> | 56 lb       | \$3,127.00 |
| 200,000 lb               | <b>117739</b> | 95 lb       | \$5,565.00 |
| 250,000 lb               | <b>117740</b> | 117 lb      | \$5,989.00 |
| 300,000 lb               | <b>117741</b> | 191 lb      | \$8,427.00 |
| 500,000 lb               | <b>117742</b> | 191 lb      | \$8,427.00 |
| <b>Replacement Parts</b> |               |             |            |
| 40 ft load cell cable    | <b>187132</b> |             | \$175.00   |

NOTE: Consult factory for shackles

### Dimensions

| Rated Capacity     | A    | B     | C    | ØD   | E     | ØF   | W    | H    |
|--------------------|------|-------|------|------|-------|------|------|------|
| 5,000 to 10,000    | 2.00 | 6.50  | 1.00 | 1.05 | 4.50  | 2.38 | 1.37 | 0.75 |
| 25,000             | 2.75 | 8.00  | 1.38 | 1.55 | 5.25  | 2.88 | 2.00 | 1.00 |
| 50,000 to 75,000   | 3.25 | 14.00 | 2.50 | 2.31 | 9.00  | 5.00 | 3.00 | 1.75 |
| 100,000 to 150,000 | 4.00 | 16.00 | 2.88 | 2.88 | 10.25 | 6.25 | 4.00 | 2.00 |
| 200,000            | 6.00 | 18.00 | 3.25 | 3.38 | 11.50 | 6.50 | 4.75 | 2.38 |
| 250,000            | 6.50 | 20.00 | 3.75 | 3.88 | 12.50 | 7.50 | 5.00 | 2.75 |
| 300,000 to 500,000 | 7.50 | 24.00 | 4.50 | 4.31 | 15.00 | 9.50 | 5.40 | 3.00 |



RICE LAKE  
LOAD CELLS





## Standard Features

- Internally gauged load pin
- Idler sheave or dead end pin preferred location
- Minimum 5:1 safety factor
- 17-4 stainless steel construction
- ±1% to 3% accuracy of hoist capacity
- -40 °F to 140 °F standard operating temperature (other temperature compensated ranges available)

(Contact MSI for application consultation)

A key component for MSI's integrated overhead weighing solutions is the Load Pin Sensor. Typically designed and manufactured specifically to each integrated solution, the MSI load pin is strictly industrial grade. Each load pin design is precision machined from 17-4 stainless steel for safety, strength and corrosion resistance.

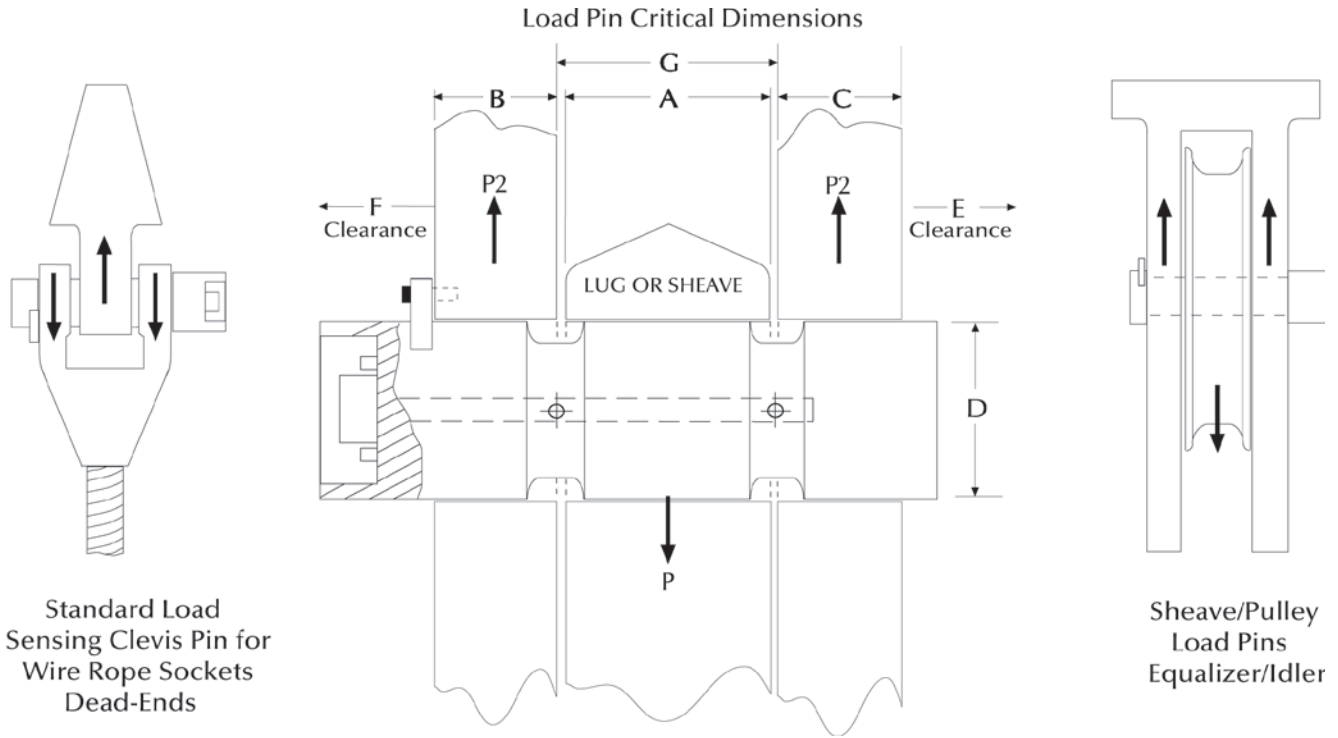
Each strain gauge location is precisely calculated and correctly placed in the optimum concentrated stress area of each installation. This MSI applied engineering process ensures the most efficient and accurate performance for each specific installation.

MSI load pin designs apply only internally mounted strain gauges for complete protection from the outside environment.

**To receive a quotation for a load pin sensor to meet your application requirements, complete the load pin questionnaire also on the next page or online at [www.ricelake.com](http://www.ricelake.com), or contact an MSI overhead weighing specialist for further application assistance.**

# MSI Load Pin Questionnaire

LOAD CELLS /  
WEIGH MODULES



Standard Load Sensing Clevis Pin for Wire Rope Sockets Dead-Ends

Sheave/Pulley Load Pins Equalizer/Idler

| Load Pin Data   |            |
|---|------------|
| A=Width _____   | Inch       |
| B=Width _____   | Inch       |
| C=Width _____   | Inch       |
| D=Pin Diameter _____  | Inch       |
| E=Clearance _____   | Inch       |
| F=Clearance _____   | Inch       |
| G=Width _____   | Inch       |
| Lube Port <input type="checkbox"/> No <input type="checkbox"/> Yes _____  | # of exits |
| Hoist Capacity _____  | Tons       |
| Parts of Wire Rope _____  |            |
| Sensor Capacity _____   | Tons       |
| Factor of Safety <input type="checkbox"/> 3:1 <input type="checkbox"/> 5:1 <input type="checkbox"/> 7:1 <input type="checkbox"/> 10:1         |            |
| Application _____   |            |
| Accuracy Requirement _____  |            |
| Temperature Requirement _____   |            |
| Required Output _____   |            |
| Material Testing Requirement _____  |            |
| Load Vector Orientation/Alignment <input type="checkbox"/> ← <input type="checkbox"/> → <input type="checkbox"/> ↓ <input type="checkbox"/> ↑ |            |
| Name _____  |            |
| Company _____   |            |
| Phone _____   |            |
| Note: Minimum clearance between "A" and "G" = 0.0625 inch.  |            |

| Cable Connections                |      |
|----------------------------------|------|
| End-Mounted Cable                |      |
| End-Mounted Connector (standard) |      |
| Side-Mounted Cable               |      |
| Side-Mounted Connector           |      |
| Recessed Connector               |      |
| Sensor's Cable Length _____      | Feet |
| Comments _____                   |      |
| _____                            |      |

**RICE LAKE**  
WEIGHING SYSTEMS

230 W. Coleman St. • Rice Lake, WI 54868 • USA  
TEL: 800-874-4320 • FAX: 206-244-8470 • [www.ricelake.com/msi](http://www.ricelake.com/msi)

An ISO 9001 registered company © 2019 Rice Lake Weighing Systems PN 154086 10/19  
Specifications subject to change without notice.

# MSI Tension Link Load Cell

LOAD CELLS /  
WEIGH MODULES



## Standard Features

- 4340 steel construction
- Mil spec connector
- 7:1 safety factor

## Options

(Contact MSI for application consultation)

- Crosby® top and bottom shackles

## Specifications

**Input Resistance:**  
1,500 ohm

**Output Resistance:**  
2,000 ohm

**Full Scale Output:**  
0.8 mV/V

**Connector Pin Out:**  
A: EX +  
B: Sig +  
C: Sig -  
D: EX -

**Accuracy:**  
0.1% sensor accuracy

**Material:**  
4340 steel

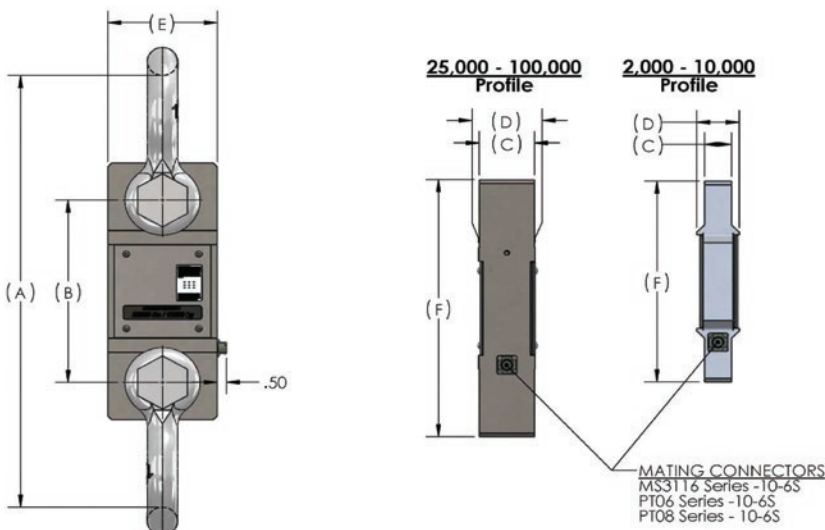
## Part Number/Price

| Part # | Description                    | Price    |
|--------|--------------------------------|----------|
| 181907 | 2K 7200 style load cell only   | Consult  |
| 181908 | 5K 7200 style load cell only   | Consult  |
| 181909 | 10K 7200 style load cell only  | Consult  |
| 178093 | 25K 7200 style load cell only  | Consult  |
| 178094 | 50K 7200 style load cell only  | Consult  |
| 181910 | 100K 7200 style load cell only | Consult  |
| 134505 | Mating cable assembly, 10 ft   | \$175.00 |

Contact factory for higher capacities

## Dimensions

| Capacity (lbs) | P/N    | Load Cell Material | (A) Headroom Loss | (B) C-C Length | (C) Lug Thk | (D) Body Thk | (E) Body Width | (F) Body Length | Lug Hole | Crosby Shackle |
|----------------|--------|--------------------|-------------------|----------------|-------------|--------------|----------------|-----------------|----------|----------------|
| 2,000          | 181907 | Aluminum           | 13.50 in          | 8.00 in        | 0.99 in     | 2.13 in      | 4.50 in        | 9.75 in         | 0.78 in  | 3-1/4 T 151357 |
| 5,000          | 181908 | Aluminum           | 13.50 in          | 8.00 in        | 0.99 in     | 2.13 in      | 4.50 in        | 9.75 in         | 0.78 in  | 3-1/7 T 151357 |
| 10,000         | 181909 | Aluminum           | 16.13 in          | 8.50 in        | 1.35 in     | 2.13 in      | 5.37 in        | 10.75 in        | 1.05 in  | 6-1/2 T 151355 |
| 25,000         | 178093 | Steel              | 22.39 in          | 9.26 in        | 2.24 in     | 2.24 in      | 4.80 in        | 12.76 in        | 1.67 in  | 17 T 141992    |
| 50,000         | 178094 | Steel              | 25.74 in          | 9.76 in        | 2.74 in     | 2.81 in      | 5.43 in        | 13.76 in        | 2.05 in  | 25 T 151356    |
| 100,000        | 181910 | Steel              | 28.49 in          | 10.74 in       | 3.09 in     | 3.09 in      | 6.86 in        | 15.74 in        | 2.30 in  | 55 T 146336    |



# MSI Clamp-On Load Cell

LOAD CELLS /  
WEIGH MODULES



## Standard Features

- ETD 150 construction
- Accommodates up to 3/4 in wire rope size
- Larger diameter clamp-on available - call for pricing

## Options

(Contact MSI for application consultation)

- Custom sizes available on request
- Pair with an SCT transmitter for basic safety functions

## Specifications

**System Accuracy of Calibrated Capacity:**  
3 to 5%

**Material:**  
4340 steel, zinc plated

**Output Resistance:**  
350 ohm

**IP Rating:**  
IP68

**Cable Color Code:**  
Red +Excitation  
Black -Excitation  
Green +Signal  
White -Signal

**Cable Length:**  
20 ft integral cable with blunt end termination

## Part Number/Price

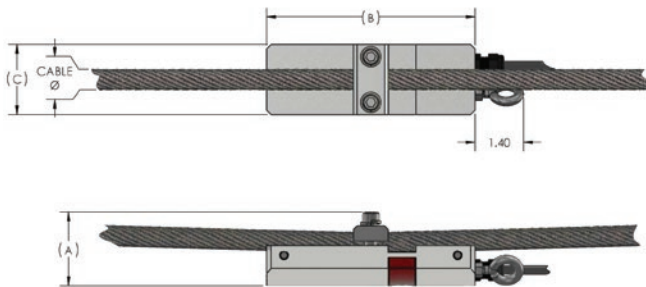
| Part # | Description  | Price      |
|--------|--|------------|
| 179080 | Load Cell Assembly Clamp-On for 3/8 to 1/2 in wire rope  | \$750.00   |
| 179082 | Load Cell Assembly Clamp-On for 9/16 to 3/4 in wire rope | \$890.00   |
| 188816 | Kit with SCT-2200 for 3/8 to 1/2 in wire rope            | \$1,330.00 |
| 188817 | Kit with SCT-2200 for 9/16 to 3/4 in wire rope           | \$1,470.00 |

Larger diameter clamp ons available - call for pricing

## Dimensions

| Cable Range | Part # | A            | B    | C    |
|-------------|--------|--------------|------|------|
| 3/8 to 1/2  | 179080 | Cable + 1.70 | 6.00 | 2.00 |
| 9/16 to 3/4 | 179082 | Cable + 1.67 | 6.00 | 2.00 |

\*8mm cable can be used with PN 179080



Optional SCT-2200 transmitter