

ELS Questionnaire

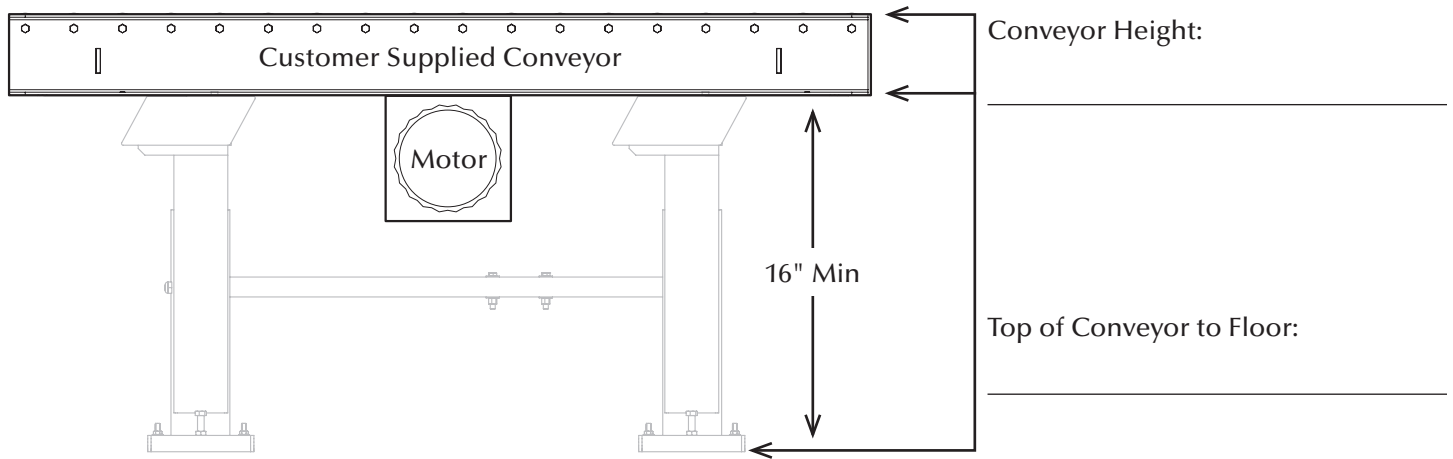
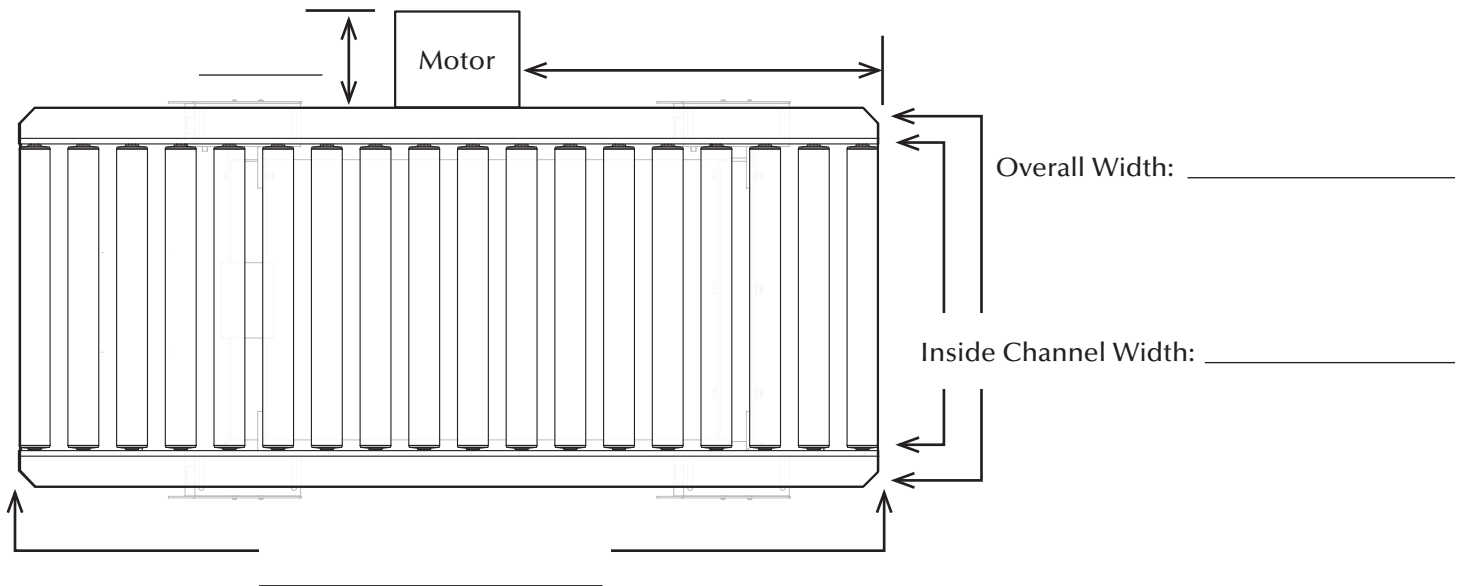


Company: _____

Name: _____ Date: _____

Phone: _____ Email: _____

ROLLERS AND CONVEYORS NOT INCLUDED



Product Weight: _____

Product Size (L x W x H) _____

Weight of Customer's Conveyor: _____

Capacity: _____

- Mild Construction
- Stainless Steel Construction