

Load Cells / Weigh Modules

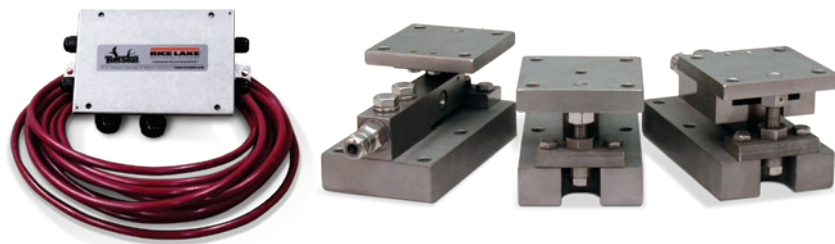
TABLE OF CONTENTS		
Load Cells / Weigh Modules	619	
SURVIVOR Paramounts® HE	620	
SURVIVOR RL1700 HE	621	
SURVIVOR RL1600 HE Series	622	
SURVIVOR RL1855 HE-HS	623	
SURVIVOR RL2100 HE	624	
ITCM	625	
ITCM SS	626	
ITCM HE	627	
RL50210TA	628	
65059	630	
RL50219SS-TA	632	
Paramounts® EP	634	
Paramounts® HS	636	
RLBTM	638	
RL1800 Series	639	
RL1800 Series with MLC Coated Load Cell	641	
RL1900 Series	642	
RLTM	643	
RL9000TWM Series	644	
RL9000TWM-HT	647	
RL2200 Series	648	
RL2200SS Series	649	
RLC	650	
220 Universal Mount	651	
EZ Mount 1 with RL72020	652	
EZ Mount 1 SS with RL72020SS	654	
EZ Mount 1 with MLC Coated RL72020	655	
EZ Mount 1 HE	656	
RL1600 Series with RL77032	657	
RL1600 Series with RL77032	658	
RL1600 Series with RL75016SS	659	
RL1600 SS Series with RL77032SS	660	
RL1600 Series with MLC Coated RL75016	661	
RL1600 HE Series with RL77032SS HE	662	
MVS Mount/MVS	663	
Translink™ Parallel Link	664	
Motor Truck Scale	665	
MagnaMount™	666	
Mettler Toledo® DigiTOL® Retrofit Kit	667	
Rice Lake Analog Retrofit Kit	669	
Rice Lake Analog Retrofit Kit	670	
Electronic Floor Scale Underdeck Kits	671	
S-BEAM		
RL20000I	672	
RL20000SS	673	
RL20000ST	674	
RL20001I	675	
RL20001HE	676	
RLETS	677	
SINGLE-ENDED BEAM		
RL32022	678	
RL32022-S	679	
RL32018	680	
RL32018 MLC Coated	681	
RL32018S	682	
RL32018S-P	683	
RL32018S-HE	684	
RL32019S-HE	685	
RL32218S-HE	686	
RL9018SS	687	
RL30000I	688	
RL30002 Thru Hole	689	
RLH35	690	
RL39123	691	
RL32018S-T	692	
RLHTO	693	
RLSSB	694	
RLSB250/RLSB250T	695	
RL50219SS	696	
RL50225	697	
RL50210	698	
RL40BBS	699	
RL32011WB-L	700	
RL32011WB-T	701	
DOUBLE-ENDED BEAM		
RL72020	702	
RL72020SS	703	
RL72020 MLC Coated	704	
RL72019SS	705	
RL77032	706	
RL77032SS	707	
RL77032SS HE	708	
RL75016	709	
RL75016 MLC Coated	710	
RL75016SS	711	
RL75016SS-W	712	
RL75016WHE	713	
RL75058I for Rice Lake Coil Scale	714	
RL75058-LP	715	
RL75058S-LP	716	
RL75060S	717	
RL75223	718	
RLDB50000S	719	
RL75040	720	
COMPRESSION CANISTER		
RLCSP1	721	
RL8C2P1SST	722	
ROCKER COLUMN		
RL82025	723	
RL82021	724	
RLSCA-50K	725	
RL70510/RL80453	726	
RL75114-50K	727	
COMPRESSION DISK		
RL90000	728	
RLPC3SS	729	
RLPC4SS-HE	730	
SINGLE POINT		
RLPC6	731	
RLPWM15HE	732	
RLPWM15	733	
RLPCBC-60	734	
RL1521A	735	
RL1010	736	
RLSP4	737	
RLPWM16	738	
RL1042	739	
RL1040	740	
RL1140	741	
RL1380	742	
RL1385	743	
RL260FD	744	
RL26018A	745	
RL1218A	746	
RL42018A	747	
RLFLS	748	
PLANAR BEAM		
RLBLP	749	
TENSION LINK		
RL2010	750	
MSI Load Pin Sensors	751	
MSI Load Pin Questionnaire	752	
MSI Tension Link	753	
MSI Clamp-On	754	

Product names, logos, brands and other trademarks featured or referred to within this publication are the property of their respective trademark holders.

SURVIVOR Paramounts® HE

Medium-capacity Weigh Module Kits

LOAD CELLS / WEIGH MODULES



Picture is a representation of actual product.

Order Information

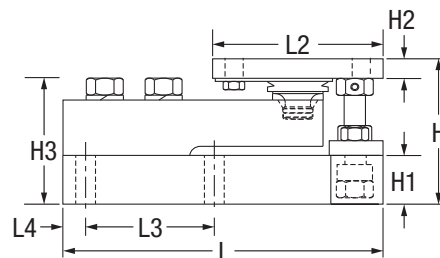
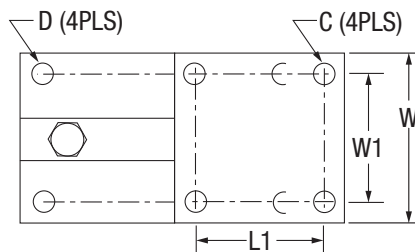
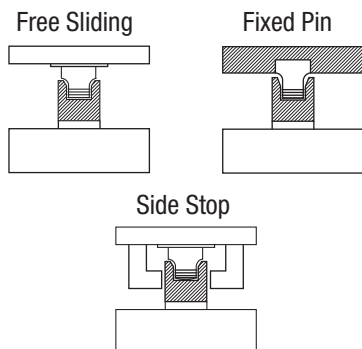
Load Rating (Per Module)	Part #	Price
NTEP Certified/OIML C3 3-Module Kit		
5 kN	29883	Consult
10 kN	29884	Consult
23 kN	29885	Consult
50 kN	29886	Consult
NTEP Certified/OIML C3 4-Module Kit		
5 kN	29879	Consult
10 kN	29880	Consult
23 kN	29881	Consult
50 kN	29882	Consult
Non-NTEP Certified 3-Module Kit		
5 kN	17991	Consult
10 kN	17992	Consult
23 kN	17993	Consult
50 kN	17994	Consult
100 kN	17995	Consult
Non-NTEP Certified 4-Module Kit		
5 kN	17998	Consult
10 kN	17999	Consult
23 kN	18000	Consult
50 kN	18001	Consult
100 kN	18002	Consult
*Conduit adapter, 1/2-14 NPT	17703	Consult

*Must be factory installed

Dimensions

Rated Capacity	C	D	H	H1	*H2	**H2	H3	L	L1	L2	L3	L4	W	W1
kN/in														
5 to 23	0.44	0.44	3.58	1.25	0.50	0.75	3.06	7.51	3.00	4.00	3.00	0.50	4.00	3.00
50	0.56	0.56	4.66	1.50	0.62	1.00	4.09	9.19	3.87	5.00	3.87	0.56	5.00	3.87
100	0.69	0.69	6.41	2.00	0.75	1.25	5.73	11.46	4.75	6.00	4.75	0.69	6.00	4.75

*Side stop and free sliding units **Fixed pin units



Complete Kit Includes

- One fixed-pin module, one side-stop module, and one or two free-sliding assemblies. Each module is complete with a Flintec SB4 stainless steel hermetically sealed load cell.
- One JB4SS NEMA Type 4X stainless steel signal trim junction box
- 25 ft of our hostile environment EL147HE SURVIVOR load cell cable

Standard Features

- All stainless steel construction
- Bolt-in-place design; module bolts directly to tank leg without requiring additional load buttons or mounting plates
- Load cell outputs are mV/V/ohm calibrated to minimize maintenance costs
- Unique design allows for thermal expansion/contraction
- Low-profile, self-checking design
- Jacking screw allows empty vessel to be lifted clear of load cell for maintenance
- Unique patented blind load hole technology minimizes unwanted side and eccentric loading
- Vessel is free to slide laterally on PTFE-coated surfaces

Applications

- Medium-capacity blenders and tanks
- Batching/blending
- Pharmaceutical processing
- Food processing
- Petroleum refining and batching

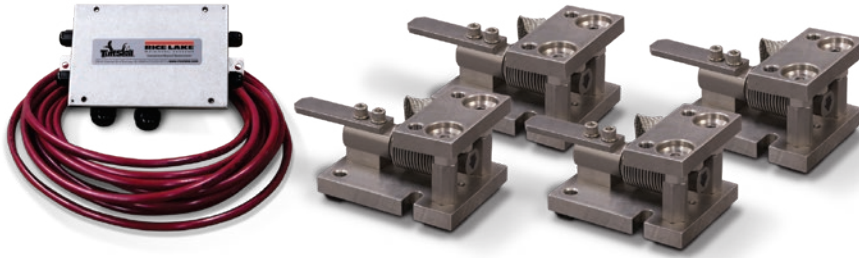
Load Cell Approvals



SURVIVOR RL1700 HE

Light- to Medium-capacity Weigh Module Kits

LOAD CELLS /
WEIGH MODULES



Picture is a representation of actual product.

Order Information

Load Rating (Per Module)	Part #	Price
Single Module (Includes Load Cell)		
5 kg	32687	Consult
10 kg	32688	Consult
20 kg	32689	Consult
50 kg	32690	Consult
100 kg	32691	Consult
200 kg	32692	Consult
250 kg	32693	Consult
500 kg	32974	Consult
1,000 kg	32973	Consult
2,000 kg	32972	Consult
5,000 kg	32971	Consult
3-Module Kit		
5 kg	32920	Consult
10 kg	32921	Consult
20 kg	32922	Consult
50 kg	32923	Consult
100 kg	32924	Consult
200 kg	32925	Consult
250 kg	32926	Consult
500 kg	32980	Consult
1,000 kg	32981	Consult
2,000 kg	32982	Consult
5,000 kg	32983	Consult
4-Module Kit		
5 kg	32927	Consult
10 kg	32928	Consult
20 kg	32929	Consult
50 kg	32930	Consult
100 kg	32931	Consult
200 kg	32932	Consult
250 kg	32933	Consult
500 kg	32984	Consult
1,000 kg	32985	Consult
2,000 kg	32986	Consult
5,000 kg	32987	Consult

Dimensions

Rated Capacity	C	B	*H1	**H2	L	L1	L2	L3	L4	L5	W	W1	W2	W3
kg/mm														
5 to 250	13.1	1/2-20 UNF	80.0	86.1	131.8	63.8	76.0	42.0	56.0	14.1	101.4	70.0	15.5	25.4
500 to 2,000	13.1	5/8-18 UNF	101.6	109.4	165.1	71.2	129.5	15.5	75.5	60.0	110.0	70.0	20.0	31.8
5,000	19.8	3/4-10 UNC	135.0	143.0	215.0	81.0	161.0	20.0	90.0	70.0	150.0	90.0	30.0	40.0

* In weighing position ** In jacked-up position for load cell shipping or removal

Complete Kit Includes

- Three or four RL1700 HE stainless steel compression mounts with NTEP Certified RL9018SS (5 to 250 kg) or RLHTO (500 to 5,000 kg) stainless steel, hermetically sealed single-ended beam load cells
- One JB4SS NEMA Type 4X stainless steel signal-trim junction box
- 25 ft of our hostile environment EL147HE SURVIVOR load cell cable

Standard Features

- Capacities (per module) 5 to 5,000 kg
- All stainless steel, weldless construction retains less residue and allows fast, thorough cleaning
- Bolt-in-place design; module bolts directly to tank leg without requiring additional load buttons or mounting plates
- Self-checking with lift-off/tip-over protection and jacking/shipping bolts
- Load cell is isolated from overload in all directions

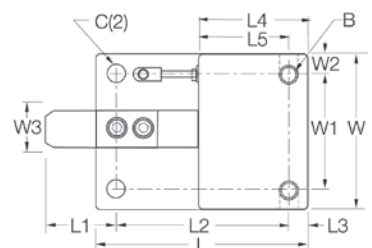
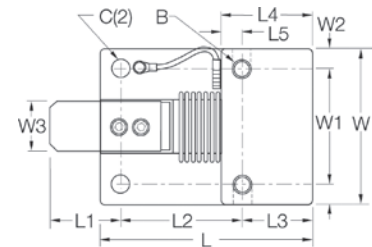
Applications

- Multi-ingredient micro-batching
- Meat and poultry processing
- Batching/blending
- Dye/ink blending

Load Cell Approvals



5 kg - 250 kg capacities



500 kg - 5000 kg capacities

SURVIVOR RL1600 HE Series

Medium-capacity Weigh Module Kits

Discontinued

LOAD CELLS /
WEIGH MODULES



Picture is a representation of actual product.

Complete Kit Includes

- Three or four RL1600 HE stainless steel compression mounts with RL75016WHE stainless steel, hermetically sealed double-ended shear beam load cells
- One JB4SS NEMA Type 4X stainless steel signal trim junction box
- 25 ft of our hostile environment EL147HE SURVIVOR load cell cable

Standard Features

- All stainless steel construction
- Self-checking, easy-to-use design allows module to be bolted directly to tank leg without requiring additional mounting plates or load buttons
- Center loaded

Applications

- Medium-capacity tanks, bins and hoppers
- Bulk material management
- Ingredient batching, mixing and blending

Load Cell Approvals



Order Information

Load Rating (Per Module)	Part #	Price
Single Mount Does Not Include Load Cells		
1,000 to 5,000 lb	17813	Consult
10,000 to 25,000 lb	17815	Consult
3-Module Kit		
1,000 lb	46723	\$4,500.00
1,500 lb	119673	Consult
2,000 lb	119675	Consult
2,500 lb	46724	\$4,500.00
5,000 lb	46725	\$4,500.00
10,000 lb	46726	\$6,725.00
15,000 lb	46727	\$6,725.00
20,000 lb	84664	Consult
25,000 lb	46728	\$6,725.00
4-Module Kit		
1,000 lb	46729	\$5,865.00
1,500 lb	119674	Consult
2,000 lb	119676	Consult
2,500 lb	46730	\$5,865.00
5,000 lb	46731	\$5,865.00
10,000 lb	46732	\$8,800.00
15,000 lb	46733	\$8,800.00
20,000 lb	84665	\$8,800.00
25,000 lb	46734	\$8,800.00
Dummy Load Cells (Mild Steel)		
1,000 to 5,000 lb	18236	Consult
10,000 to 25,000 lb	18237	Consult

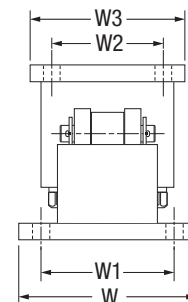
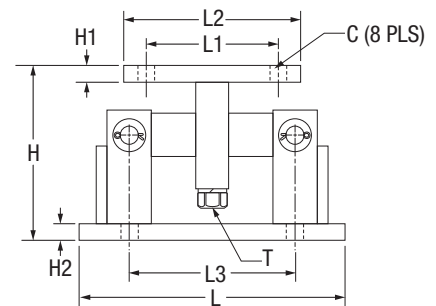
Shims*

	Part #	Price
1,000 to 5,000 lb		
0.0625	150852	Consult
0.125	150853	Consult
0.250	150854	Consult
10,000 to 25,000 lb		
0.0625	150855	Consult
0.125	150856	Consult
0.250	150857	Consult

*Shims match the top plate

Dimensions

Rated Capacity	C	H	H1	H2	L	L1	L2	L3	T	W	W1	W2	W3
lb/in													
1,000 to 5,000	0.56	5.00	0.50	0.50	9.25	2.75	4.00	6.25	1/2-13 UNC	5.00	3.75	2.75	4.00
10,000 to 25,000	0.78	7.87	0.75	0.75	12.00	6.00	8.00	7.50	3/4-10 UNC	8.00	6.00	6.00	8.00



SURVIVOR RL1855 HE-HS

Medium-capacity Weigh Module Kits

LOAD CELLS /
WEIGH MODULES



Picture is a representation of actual product.

Complete Kit Includes

- Three or four RL1855 HE stainless steel mounts with RL32218S-HE NTEP Certified hermetically sealed stainless steel load cells
- One JB4SS NEMA Type 4X stainless steel signal trim junction box
- 25 ft of hostile environment EL147HE SURVIVOR load cell cable

Standard Features

- NTEP Certified load cells, 5,000 d Class III multiple load cell
- All stainless steel construction
- Self-checking design with lift off/tip off protection

Applications

- Medium-capacity hoppers, bins and tanks
- Batching/blending

Load Cell Approvals

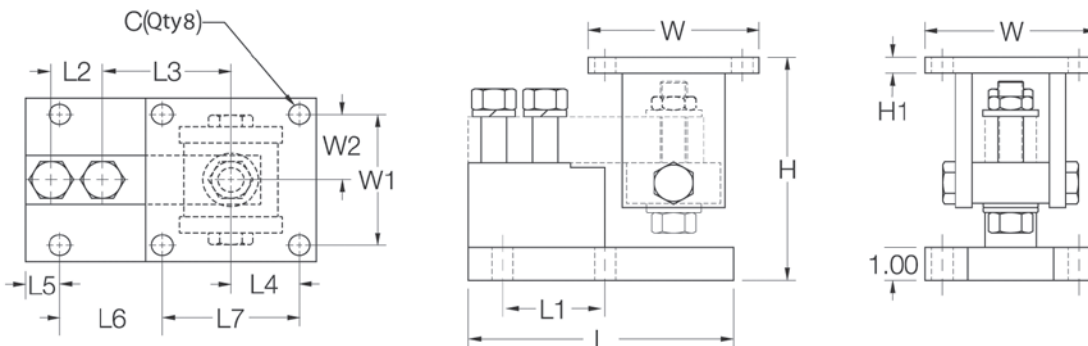


Order Information

Load Rating (Per Module)	Part #	Price
Single Modules (Includes Load Cell)		
1,000 lb	170857	Consult
2,500 lb	170858	Consult
4,000 lb	170859	Consult
5,000 lb	170860	Consult
10,000 lb	170861	Consult
3-Module Kit		
1,000 lb	170862	Consult
2,500 lb	170863	Consult
4,000 lb	170864	Consult
5,000 lb	170865	Consult
10,000 lb	170866	Consult
4-Module Kit		
1,000 lb	170867	Consult
2,500 lb	170868	Consult
4,000 lb	170869	Consult
5,000 lb	170870	Consult
10,000 lb	170871	Consult

Dimensions

Rated Capacity C	C	H min/ max	H1	L	L1	L2	L3	L4	L5	L6	L7	W	W1	W2
lb/in														
1,000 to 4,000	0.62	5.25/5.56	0.50	6.00	2.00	1.00	3.00	2.00	0.68	1.94	4.00	5.00	4.00	2.00
5,000 to 10,000	0.62	6.12/6.62	0.50	7.75	3.00	1.50	3.75	2.00	1.03	2.97	4.00	5.00	4.00	2.00



SURVIVOR RL2100 HE

Heavy-capacity Weigh Module Kits

LOAD CELLS /
WEIGH MODULES



Picture is a representation of actual product.

Complete Kit Includes

- Three or four RL2100 HE stainless steel compression mounts with NTEP Certified RL75060S or RL75058S-LP stainless steel, welded seal double-ended beam load cells
- One JB4SS NEMA Type 4X stainless steel signal-trim junction box
- 25 ft of our hostile environment EL147HE SURVIVOR load cell cable

Standard Features

- NTEP Certified load cells, 5,000 d, Class III/10,000 d, Class III multiple cell
- All stainless steel construction
- Bolt-in-place design; module bolts directly to tank leg without requiring additional load buttons or mounting plates
- Self-checking design with lift-off/tip-over protection

Applications

- Heavy-capacity tanks, blenders, reactors and bulk inventory management
- Petroleum refining process control
- Blending/batching

Load Cell Approvals

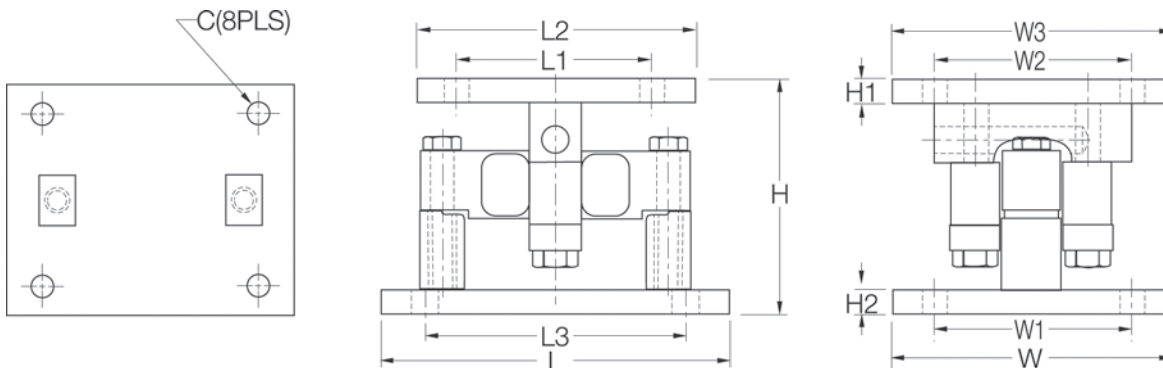


Order Information

Load Rating (Per Module)	Part #	Price
Single Module (Includes Load Cell)		
20,000 lb	32951	Consult
25,000 lb	65541	Consult
35,000 lb	32952	Consult
50,000 lb	32953	Consult
60,000 lb	32954	Consult
75,000 lb	32955	Consult
100,000 lb	32956	Consult
3-Module Kit		
20,000 lb	32970	Consult
25,000 lb	65984	Consult
35,000 lb	32969	Consult
50,000 lb	32968	Consult
60,000 lb	32967	Consult
75,000 lb	32966	Consult
100,000 lb	32965	Consult
4-Module Kit		
20,000 lb	32964	Consult
25,000 lb	65983	Consult
35,000 lb	32963	Consult
50,000 lb	32962	Consult
60,000 lb	32961	Consult
75,000 lb	32960	Consult
100,000 lb	32959	Consult

Dimensions

Rated Capacity	C	H	H1	H2	L	L1	L2	L3	W	W1	W2	W3
lb/in												
20,000 to 25,000	0.78	6.85	0.75	0.75	10.00	6.00	8.00	7.50	8.00	6.00	6.00	8.00
35,000 to 100,000	1.13	9.42	1.00	1.00	14.00	6.50	9.00	11.50	10.00	7.50	6.50	9.00





Picture is a representation of actual product.

Complete Kit Includes

- Three or four ITCM assemblies with RL200001 NTEP Certified S-beam load cells
- One JB4SS NEMA Type 4X stainless steel signal trim junction box
- 25 ft of hostile environment EL147HE SURVIVOR® load cell cable

Standard Features

- Capacities (per module): 100 to 20,000 lb
- Clevis mounts with nylon insulating washers
- Zinc-plated clevis assemblies
- Load cell is completely isolated from stray currents (except 20,000 lb)
- Grounding strap provides alternative path to ground
- Complete package for ease of installation
- Provides correct loading even in difficult installations
- Lower overall height compared to other isolated tension assemblies

Applications

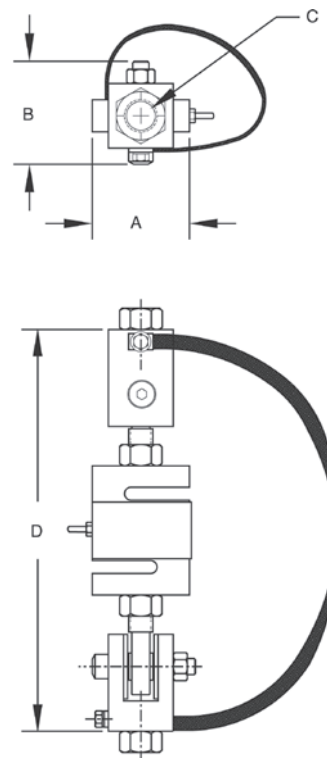
- Suspended hoppers and tanks
- Mechanical scale conversions
- Use as a single module or in multiples

Load Cell Approvals



Load Rating Dimensions Per Module

Load Cell Capacity lb/in	Load Cell Dimensions				Single Module		3-Module Kit		4-Module Kit	
	A	B	C	D	Price	Price	Price	Price		
100	2.00	1.81	3/8-16 UNC 1/2-13 UNC	7.00 (ref)	17851 17831	Consult Consult	18003 18004	Consult Consult	18027 18028	Consult Consult
150	2.00	1.81	3/8-16 UNC 1/2-13 UNC	7.00 (ref)	30337 30336	Consult Consult	30357 30358	Consult Consult	30359 30360	Consult Consult
200	2.00	1.81	3/8-16 UNC 1/2-13 UNC	7.00 (ref)	30335 30338	Consult Consult	30361 30362	Consult Consult	30363 30364	Consult Consult
250	2.00	1.81	3/8-16 UNC 1/2-13 UNC	7.00 (ref)	17852 17832	Consult Consult	18005 18006	Consult Consult	18029 18030	Consult Consult
500	2.68	2.68	1/2-13 UNC 5/8-11 UNC 3/4-10 UNC	9.50 (ref)	17853 17858 17833	Consult Consult Consult	18007 18008 18009	Consult Consult Consult	18031 18032 18033	Consult Consult Consult
750	2.68	2.68	1/2-13 UNC 5/8-11 UNC 3/4-10 UNC	9.50 (ref)	17854 17859 17834	Consult Consult Consult	18010 18011 18012	Consult Consult Consult	18034 18035 18036	Consult Consult Consult
1,000	2.68	2.68	1/2-13 UNC 5/8-11 UNC 3/4-10 UNC	9.50 (ref)	17855 17860 17835	Consult Consult Consult	18013 18014 18015	Consult Consult Consult	18037 18038 18039	Consult Consult Consult
1,500	2.68	2.68	1/2-13 UNC 5/8-11 UNC 3/4-10 UNC	9.50 (ref)	17856 17861 17836	Consult Consult Consult	18016 18017 18018	Consult Consult Consult	18040 18041 18042	Consult Consult Consult
2,000	2.68	2.68	1/2-13 UNC 5/8-11 UNC 3/4-10 UNC	9.50 (ref)	17857 17862 17837	Consult Consult Consult	18019 18020 18021	Consult Consult Consult	18043 18044 18045	Consult Consult Consult
2,500	2.68	2.68	5/8-11 UNC 3/4-10 UNC	9.50 (ref)	17863 17838	Consult Consult	18022 18023	Consult Consult	18046 18047	Consult Consult
3,000	3.37	3.37	3/4-10 UNC	10.50 (ref)	30339	Consult	30365	Consult	30366	Consult
5,000	3.37	3.37	3/4-10 UNC 1-8 UNC	12.25 (ref)	17864 17839	Consult Consult	18024 18025	Consult Consult	18048 18049	Consult Consult
10,000	3.37	3.37	1-8 UNC	12.25 (ref)	17840	Consult	18026	Consult	18050	Consult
15,000	4.00	4.12	1 1/4-7 UNC	18.00 (ref)	17960	Consult	30353	Consult	30354	Consult
20,000	5.00	4.12	1 1/2-6 UNC	20.00 (ref)	17961	Consult	30355	Consult	30356	Consult



ITCM SS

Stainless Steel, Isolated Tension Cell Weigh Module Kit

LOAD CELLS /
WEIGH MODULES



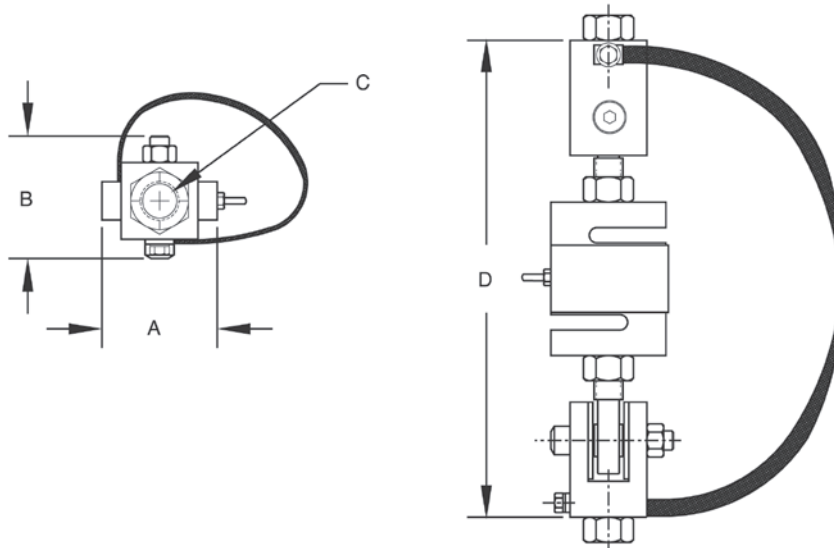
Picture is a representation of actual product.

Load Cell Approvals



Load Rating Dimensions Per Module

Load Cell Capacity lb/in	A	B	C	D	Single Module	Price	3-Module Kit	Price	4-Module Kit	Price
100	2.00	1.81	3/8-16 UNC 1/2-13 UNC	7.00 (ref)	46765 46766	Consult Consult	46735 46736	Consult Consult	46751 46752	Consult Consult
250	2.00	1.81	3/8-16 UNC 1/2-13 UNC	7.00 (ref)	46767 46768	Consult Consult	46737 46738	Consult Consult	46753 46754	Consult Consult
500	2.68	2.68	1/2-13 UNC 5/8-11 UNC	9.50 (ref)	46769 46770	Consult Consult	46739 46740	Consult Consult	46755 46756	Consult Consult
750	2.68	2.68	1/2-13 UNC 5/8-11 UNC	9.50 (ref)	46771 46772	Consult Consult	46741 46742	Consult Consult	46757 46758	Consult Consult
1,000	2.68	2.68	1/2-13 UNC 5/8-11 UNC	9.50 (ref)	46773 46774	Consult Consult	46743 46744	Consult Consult	46759 46760	Consult Consult
2,500	2.68	2.68	5/8-11 UNC 3/4-10 UNC	9.50 (ref)	46775 46776	Consult Consult	46745 46746	Consult Consult	46761 46762	Consult Consult
3,000	3.37	3.37	3/4-10 UNC	10.75 (ref)	46777	Consult	46747	Consult	46763	Consult
5,000	3.37	3.37	3/4-10 UNC	12.00 (ref)	46778	Consult	46748	Consult	46764	Consult



Complete Kit Includes

- Three or four ITCM assemblies with RL20000ST NTEP Certified S-beam load cells
- One JB4SS NEMA Type 4X stainless steel signal trim junction box
- 25 ft of hostile environment EL147HE SURVIVOR® load cell cable

Standard Features

- Capacities (per module): 100 to 5,000 lb
- Clevis mounts with nylon insulating washers
- PTFE lined rod-end ball joints
- Load cell is completely isolated from stray currents
- Grounding strap provides alternative path to ground
- Complete package for ease of installation
- Provides correct loading even in difficult installations
- Lower overall height compared to other isolated tension assemblies

Applications

- Suspended hoppers and tanks
- Mechanical scale conversions
- Use as a single module or in multiples



Complete Kit Includes

- Three or four ITCM assemblies with RL20001HE NTEP Certified S-beam, stainless steel, welded-seal load cells
- One JB4SS NEMA Type 4X stainless steel signal trim junction box
- 25 ft of hostile environment EL147HE SURVIVOR® load cell cable

Standard Features

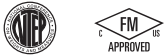
- Capacities (per module): 500 to 5,000 lb
- Clevis mounts with nylon insulating washers
- PTFE lined rod-end ball joints
- Load cell is completely isolated from stray currents
- Grounding strap provides alternative path to ground
- Complete package for ease of installation
- Provides correct loading even in difficult installations
- Lower overall height compared to other isolated tension assemblies

Applications

- Suspended hoppers and tanks
- Mechanical scale conversions
- Use as a single module or in multiples

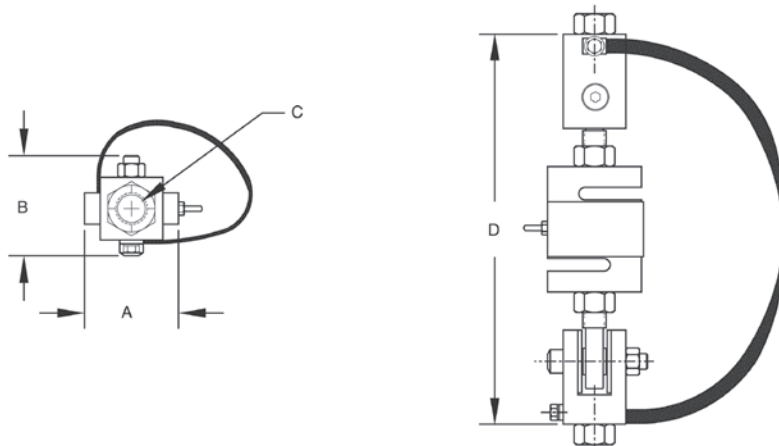
Picture is a representation of actual product.

Load Cell Approvals



Load Rating Dimensions Per Module

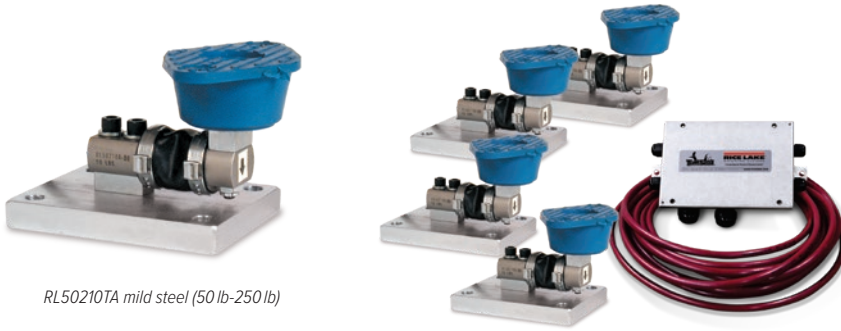
Load Cell Capacity	A	B	C	D	Single Module	Price	3-Module Kit	Price	4-Module Kit	Price
lb/in										
500	2.68	2.68	1/2-13 UNC 5/8-11 UNC 3/4-10 UNC	9.50 (ref)	46599 46600 46601	Consult Consult Consult	46561 46562 46563	Consult Consult Consult	46580 46581 46582	Consult Consult Consult
750	2.68	2.68	1/2-13 UNC 5/8-11 UNC 3/4-10 UNC	9.50 (ref)	46602 46603 46604	Consult Consult Consult	46564 46565 46566	Consult Consult Consult	46583 46584 46585	Consult Consult Consult
1,000	2.68	2.68	1/2-13 UNC 5/8-11 UNC 3/4-10 UNC	9.50 (ref)	46605 46606 46607	Consult Consult Consult	46567 46568 46569	Consult Consult Consult	46586 46587 46588	Consult Consult Consult
1,500	2.68	2.68	1/2-13 UNC 5/8-11 UNC 3/4-10 UNC	9.50 (ref)	46608 46609 46610	Consult Consult Consult	46570 46571 46572	Consult Consult Consult	46589 46590 46591	Consult Consult Consult
2,000	2.68	2.68	1/2-13 UNC 5/8-11 UNC 3/4-10 UNC	9.50 (ref)	46611 46612 46613	Consult Consult Consult	46573 46574 46575	Consult Consult Consult	46592 46593 46594	Consult Consult Consult
2,500	2.68	2.68	5/8-11 UNC 3/4-10 UNC	9.50 (ref)	46614 46615	Consult Consult	46576 46577	Consult Consult	46595 46596	Consult Consult
3,000	3.37	3.37	3/4-10 UNC	10.00 (ref)	46616	Consult	46578	Consult	46597	Consult
5,000	3.37	3.37	3/4-10 UNC	12.62 (ref)	46617	Consult	46579	Consult	46598	Consult



RL50210TA

Mild Steel/Stainless Steel, Mini Tank Weigh Module Kit

LOAD CELLS /
WEIGH MODULES



RL50210TA mild steel (50 lb-250 lb)



Picture is a representation of actual product.

Load Cell Approvals



NTEP Certified 1,000 lb mild steel load cell shown.

Complete Kit Includes

- Three or four neoprene isolation/compression mounts with load cells
 - 50 to 250 lb mild steel: RL50210
 - 500 lb mild steel: RL30000, RL50210 or RL50225
 - 1,000 to 2,500 lb mild steel: RL32018
 - 500 lb stainless steel: RL39123 or equivalent
 - 1,000 to 2,500 lb stainless steel: RL32018S
- One JB4SS NEMA Type 4X stainless steel signal trim junction box
- 25 ft of hostile environment EL147HE SURVIVOR® load cell cable

Standard Features

- NTEP Certified load cells (1,000 lb, 2,000 lb and 2,500 lb only)
- Zinc plated mild steel or stainless steel assemblies
- Weighing ranges from 50 to 2,500 lb per module
- Neoprene isolation mounts allow for minor misalignment, thermal expansion and shock absorption
- Overload stop provides durability

Applications

- Small tanks and hoppers
- Conveyor/In-motion weighing
- Small platform scales where minor shock loading may occur

Optional Features

- Stainless steel modules available in 500 lb capacities with RL39123 stainless steel load cells

Order Information

Load Rating (Per Module)	Part #	Price
Non-NTEP Certified Mild Steel Single Module (Includes Load Cell)		
50 lb	17844	Consult
100 lb	17845	Consult
150 lb	17846	Consult
250 lb	17847	Consult
500 lb	17848	Consult
NTEP Certified Mild Steel Single Module (Includes Load Cell)		
1,000 lb	17849	Consult
2,000 lb	17948	Consult
2,500 lb	17949	Consult
Non-NTEP Certified Mild Steel 3-Module Kit		
50 lb	18051	Consult
100 lb	18052	Consult
150 lb	18053	Consult
250 lb	18054	Consult
500 lb	18055	Consult
NTEP Certified Mild Steel 3- Module Kit		
1,000 lb	18056	Consult
2,000 lb	30398	Consult
2,500 lb	30396	Consult
Non-NTEP Certified Mild Steel 4-Module Kit		
50 lb	18057	Consult
100 lb	18058	Consult
150 lb	18059	Consult
250 lb	18060	Consult
500 lb	18061	Consult

RL50210TA

Mild Steel/Stainless Steel, Mini Tank Weigh Module Kit

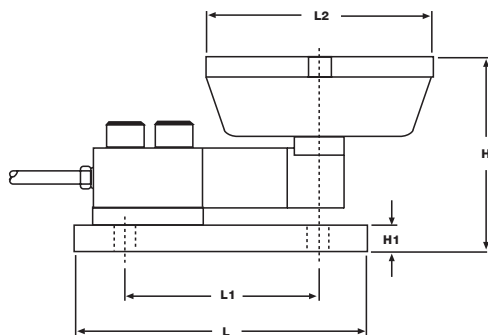
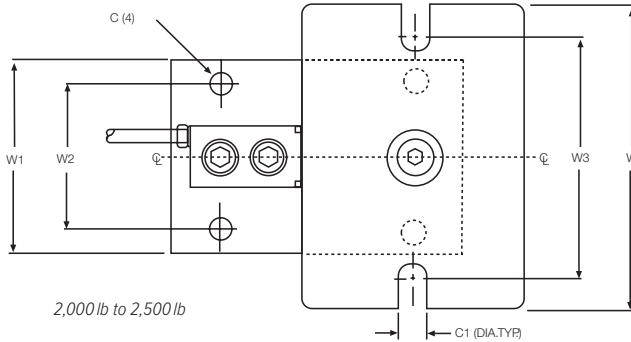
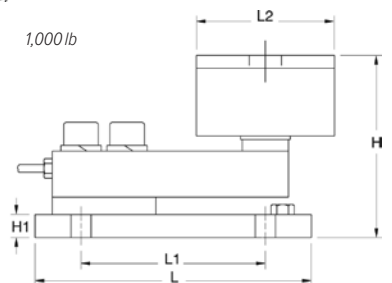
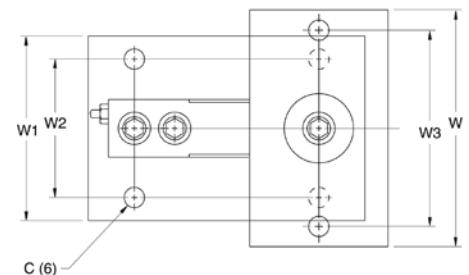
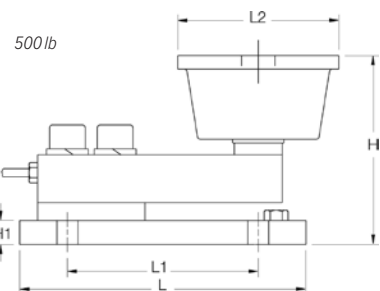
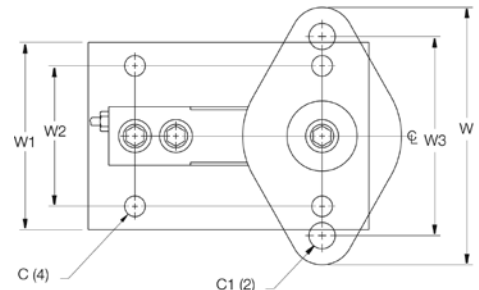
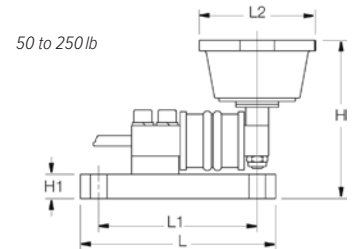
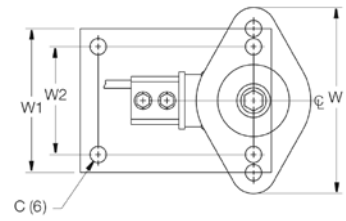
LOAD CELLS /
WEIGH MODULES

Order Information

Load Rating (Per Module)	Part #	Price
NTEP Certified Mild Steel 4- Module Kit		
1,000 lb	18062	Consult
2,000 lb	30397	Consult
2,500 lb	30395	Consult
Stainless Steel Single Module (Includes Load Cell)		
500 lb	17954	Consult
1,000 lb	17955	Consult
2,000 lb	17956	Consult
2,500 lb	17957	Consult
Stainless Steel 3-Module Kit		
500 lb	30394	Consult
1,000 lb	30404	Consult
2,000 lb	30402	Consult
2,500 lb	30400	Consult
Stainless Steel 4-Module Kit		
500 lb	30393	Consult
1,000 lb	30403	Consult
2,000 lb	30401	Consult
2,500 lb	30399	Consult

Dimensions

Rated Capacity	C	C1	H	H1	L	L1	L2	W	W1	W2	W3
lb/in											
50 to 250	0.34	-	3.13	0.50	4.00	3.25	2.38	3.88	3.00	2.25	-
500	0.44	0.56	3.88	0.50	6.00	4.00	3.38	5.50	4.00	3.00	4.13
1,000	0.44	-	4.00	0.50	6.00	4.00	3.00	5.13	4.00	3.00	4.13
2,000 to 2,500	0.44	0.56	4.00	0.50	6.00	4.00	4.62	6.25	4.00	3.00	5.00



65059

Mild Steel/Stainless Steel, Mini Tank Weigh Module Kit, VPG® Sensortronics®

LOAD CELLS /
WEIGH MODULES



NTEP Certified 1,000 lb load cell shown.

65059 mild steel (50 lb to 250 lb)

Picture is a representation of actual product.

Load Cell Approvals



1,000 to
2,500 lb

Complete Kit Includes

- Three or four neoprene isolation/compression mounts with load cells. (1,000 to 2,500 lb are NTEP Certified)
 - 50 to 250 lb mild steel: 60040
 - 500 lb mild steel: 65023-500-0107
 - 1,000 to 2,500 lb mild steel: 65023A1K-5107
 - 500 lb stainless steel: 65023-500-0113
 - 1,000 to 2,500 lb stainless steel: 65023S1K-5113
- One JB4SS NEMA Type 4X stainless steel signal trim junction box
- 25 ft of hostile environment EL147HE SURVIVOR® load cell cable

Standard Features

- Zinc plated, mild steel modules
- Lower weighing ranges from 50 to 500 lb per module
- Environmentally protected load cells
- 1,000 to 2,500 lb capacities are NTEP Certified
- Neoprene isolation/compression mounts allow for minor misalignment, thermal expansion and shock absorption
- Overload stop for 500 lb modules provides durability

Applications

- Small tanks and hoppers
- Conveyor/in-motion weighing
- Small platform scales where minor shock loading may occur

Order Information

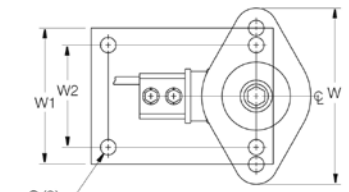
Load Rating (Per Module)	Part #	Price
Mild Steel Single Module (Includes Load Cell)		
50 lb	17825	Consult
100 lb	17826	Consult
150 lb	17827	Consult
250 lb	17828	Consult
500 lb	17829	Consult
1,000 lb	17830	Consult
2,000 lb	17946	Consult
2,500 lb	17947	Consult
Mild Steel 3-Module Kit		
50 lb	18063	Consult
100 lb	18064	Consult
150 lb	18065	Consult
250 lb	18066	Consult
500 lb	18067	Consult
1,000 lb	18068	Consult
2,000 lb	30413	Consult
2,500 lb	30412	Consult
Mild Steel 4-Module Kit		
50 lb	18069	Consult
100 lb	18070	Consult
150 lb	18071	Consult
250 lb	18072	Consult
500 lb	18073	Consult
1,000 lb	18074	Consult
2,000 lb	30414	Consult
2,500 lb	30411	Consult

Order Information

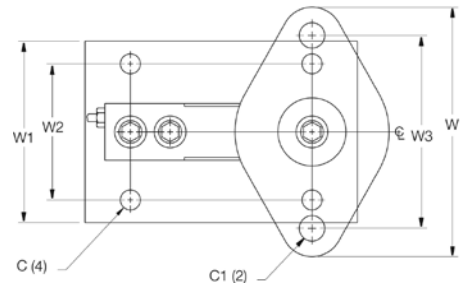
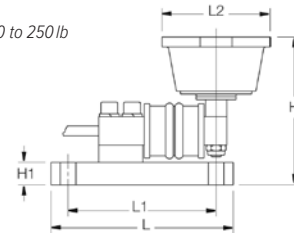
Load Rating (Per Module)	Part #	Price
Stainless Steel Single Module (Includes Load Cell)		
500 lb	17950	Consult
1,000 lb	17951	Consult
2,000 lb	17952	Consult
2,500 lb	17953	Consult
Stainless Steel 3-Module Kit		
500 lb	30392	Consult
1,000 lb	30410	Consult
2,000 lb	30408	Consult
2,500 lb	30406	Consult
Stainless Steel 4-Module Kit		
500 lb	30391	Consult
1,000 lb	30409	Consult
2,000 lb	30407	Consult
2,500 lb	30405	Consult

Dimensions

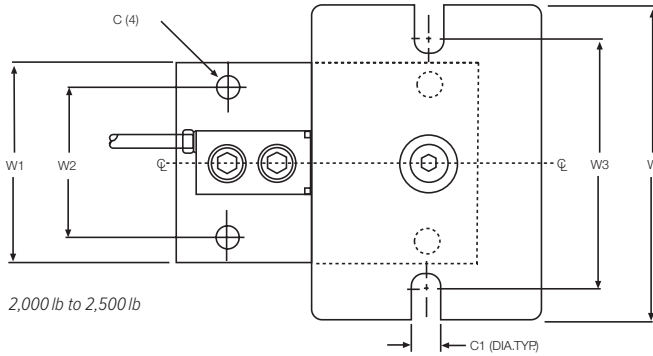
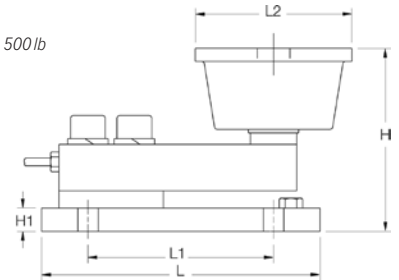
Rated Capacity	C	C1	H	H1	L	L1	L2	W	W1	W2	W3
lb/in											
50 to 250	0.34	-	3.13	0.50	4.00	3.25	2.38	3.88	3.00	2.25	-
500	0.44	0.56	3.88	0.50	6.00	4.00	3.38	5.50	4.00	3.00	4.13
1,000	0.44	-	4.00	0.50	6.00	4.00	3.00	5.13	4.00	3.00	4.13
2,000 to 2,500	0.44	0.56	4.00	0.50	6.00	4.00	4.62	6.25	4.00	3.00	5.00



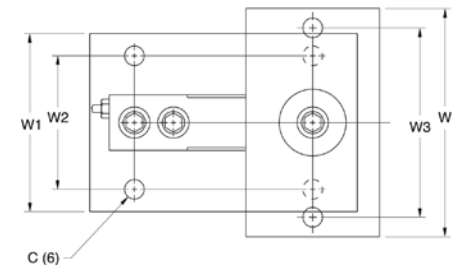
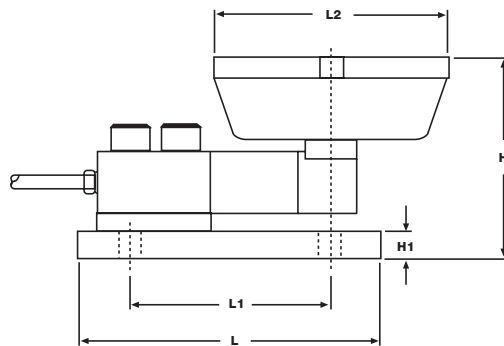
50 to 250 lb



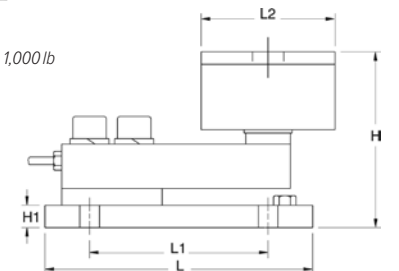
500 lb



2,000 lb to 2,500 lb



1,000 lb



RL50219SS-TA

Stainless Steel, Mini Tank Weigh Module Kit

LOAD CELLS /
WEIGH MODULES



RL50219SS-TA (50 lb-250 lb)

Picture is a representation of actual product.

Complete Kit Includes

- Three or four neoprene isolation/compression mounts with load cells
50 to 250 lb model: RL50219SS
500 lb model: multiple stainless steel, single-ended beam modules available
- One JB4SS NEMA Type 4X stainless steel signal trim junction box
- 25 ft of hostile environment EL147HE SURVIVOR® load cell cable

Standard Features

- Stainless steel modules
- Lower weighing ranges from 50 to 500 lb per module
- Environmentally protected load cells
- Neoprene isolation/compression mounts allow for minor misalignment, thermal expansion and shock absorption
- Overload stop for 500 lb modules provides durability

Applications

- Small tanks and hoppers
- Conveyor/In-motion weighing
- Small platform scales where minor shock loading may occur

Order Information

Load Rating (Per Module)	Part #	Price
Single Module (Includes Load Cell)		
50 lb	196829	Consult
75 lb	196830	Consult
100 lb	196831	Consult
150 lb	196832	Consult
250 lb	196833	Consult
500 lb	17954	Consult
3-Module Kit		
50 lb	196840	Consult
75 lb	196841	Consult
100 lb	196842	Consult
150 lb	196843	Consult
250 lb	196844	Consult
500 lb	30394	Consult
4-Module Kit		
50 lb	196845	Consult
75 lb	197015	Consult
100 lb	196846	Consult
150 lb	196848	Consult
250 lb	196849	Consult
500 lb	30393	Consult

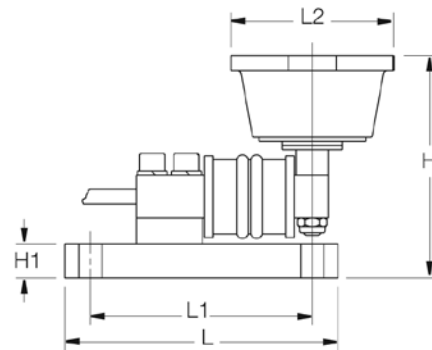
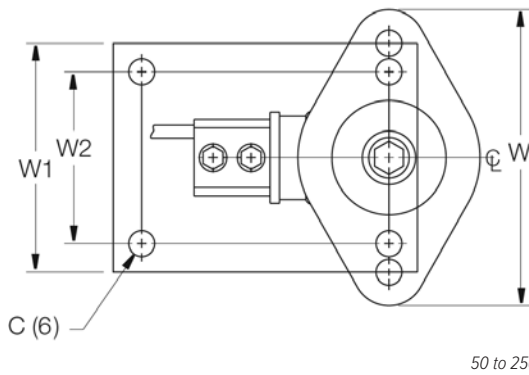
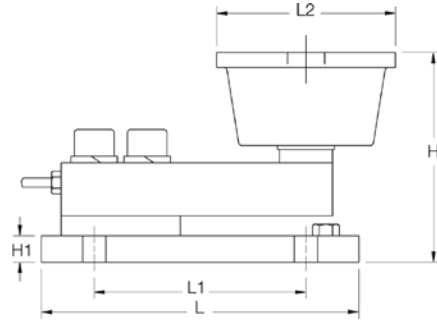
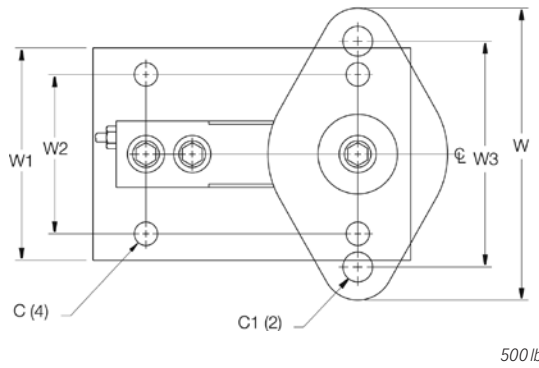
RL50219SS-TA

Stainless Steel, Mini Tank Weigh Module Kit

LOAD CELLS /
WEIGH MODULES

Dimensions

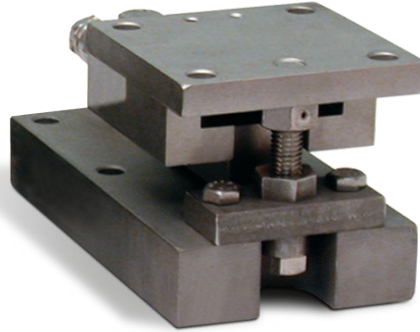
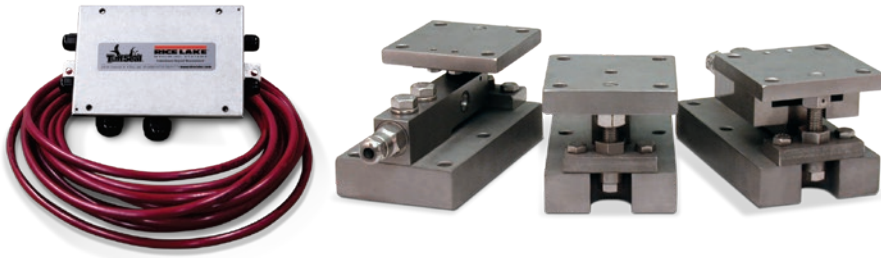
Rated Capacity	C	C1	H	H1	L	L1	L2	W	W1	W2	W3
lb/in											
50 to 250	0.34	-	3.13	0.50	4.00	3.25	2.38	3.88	3.00	2.25	-
500	0.44	0.56	3.88	0.50	6.00	4.00	3.38	5.50	4.00	3.00	4.13



Paramounts® EP

Zinc Plated, Environmentally Protected, Weigh Module Kit

LOAD CELLS /
WEIGH MODULES



Picture is a representation of actual product.

Load Cell Approvals



Order Information

Load Rating (Per Module)	Part #	Price
NTEP Certified 3-Module Kits		
5 kN	33683	Consult
10 kN	33682	Consult
20 kN	33681	Consult
50 kN	33680	Consult
NTEP Certified 4-Module Kits		
5 kN	33678	Consult
10 kN	33677	Consult
20 kN	33676	Consult
50 kN	33675	Consult
Non-NTEP Certified 3-Module Kit		
100 kN	33679	Consult
Non-NTEP Certified 4-Module Kit		
100 kN	33674	Consult

NOTE: 1 kN=224.8 lb

Complete Kit Includes

- One fixed-pin module, one side-stop module, and one or two free-sliding assemblies. Each module is complete with a NTEP Certified Flintec® SB5 stainless steel environmentally protected load cell.
- One JB4SS NEMA Type 4X stainless steel signal trim junction box
- 25 ft of hostile environment EL147HE SURVIVOR® load cell cable

Standard Features

- Capacities (per module): 5 to 20 kN
- NTEP Certified 1:5000 d, Class II load cells
- Unique design allows for thermal expansion/contraction
- Jacking screw allows empty vessel to be lifted clear of load cell for maintenance
- Unique blind load hole eliminates unwanted side and eccentric loads
- Vessel is free to slide laterally on PTFE coated surfaces
- mV/V/ohm load cell outputs allow for replacement without further calibration

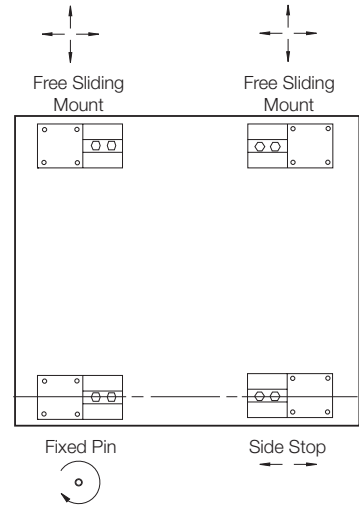
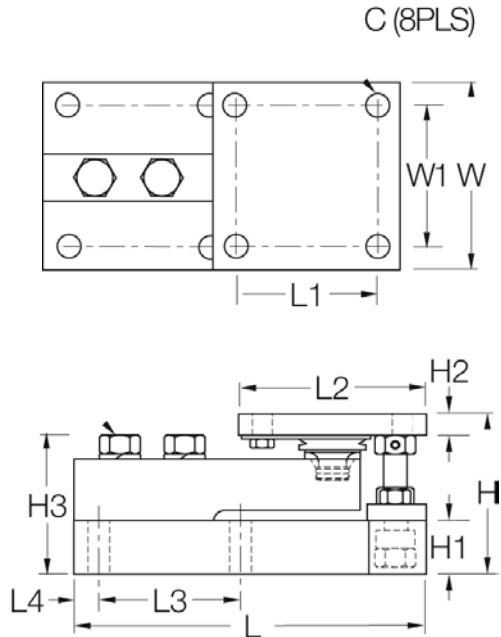
Applications

- Light- to medium-capacity tanks and hoppers
- Process measurement and control

Dimensions

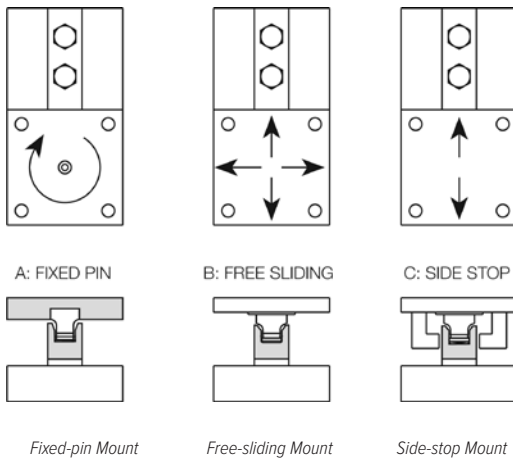
Rated Capacity kN/in	C	H	H1	*H2	**H2	H3	L	L1	L2	L3	L4	W	W1
5 to 20	0.44	3.58	1.25	0.50	0.75	3.06	7.51	3.00	4.00	3.00	0.50	4.00	3.00
50	0.56	4.66	1.50	0.62	1.00	4.09	9.19	3.87	5.00	3.87	0.56	5.00	3.87
100	0.69	6.41	2.00	0.75	1.25	5.73	11.46	4.75	6.00	4.75	0.69	6.00	4.75

* Side-stop and free-sliding units ** Fixed-pin units



VESSEL ARRANGEMENT

When arranged as illustrated, the vessel is fixed at one corner but is able to slide freely as indicated. This ensures there is minimal side loading on the cells and at the same time the vessel is self-checking. The unique, patented blind load hole technology used in these mounts introduces the load at the neutral axis of the load cell which helps minimize the effects of side loads.



Fixed-pin Mount

Free-sliding Mount

Side-stop Mount

Paramounts® HS

Zinc Plated, Hermetically Sealed, Weigh Module Kit

LOAD CELLS /
WEIGH MODULES



Picture is a representation of actual product.

Load Cell Approvals



Available

Order Information

Load Rating (Per Module)	Part #	Price
NTEP Certified 3-Module Kit		
5 kN	29871	Consult
10 kN	29872	Consult
23 kN	29873	Consult
50 kN	29874	Consult
NTEP Certified 4-Module Kit		
5 kN	29875	Consult
10 kN	29876	Consult
23 kN	29877	Consult
50 kN	29878	Consult
Non-NTEP Certified 3-Module Kit		
5 kN	17977	Consult
10 kN	17978	Consult
23 kN	17979	Consult
50 kN	17980	Consult
100 kN	17981	Consult
Non-NTEP Certified 4-Module Kit		
5 kN	17984	Consult
10 kN	17985	Consult
23 kN	17986	Consult
50 kN	17987	Consult
100 kN	17988	Consult
Conduit Adapter Kit (must be factory installed to maintain warranty)		
1/2-14 NPT	17703	Consult

Complete Kit Includes

- One fixed-pin module, one side-stop module, and one or two free-sliding assemblies. Each module is complete with a Flintec® SB4 NTEP Certified, stainless steel, hermetically sealed load cell.
- One JB4SS NEMA Type 4X stainless steel signal trim junction box
- 25 ft of hostile environment EL147HE SURVIVOR® load cell cable

Standard Features

- Capacities (per module): 5 to 100 kN
- Unique design allows for thermal expansion/contraction
- Jacking screw allows empty vessel to be lifted clear of load cell for maintenance
- Unique blind load hole eliminates unwanted side and eccentric loads
- Vessel is free to slide laterally on PTFE coated surfaces
- Load cell outputs are matched to $\pm 0.07\%$ allowing replacement without further calibration

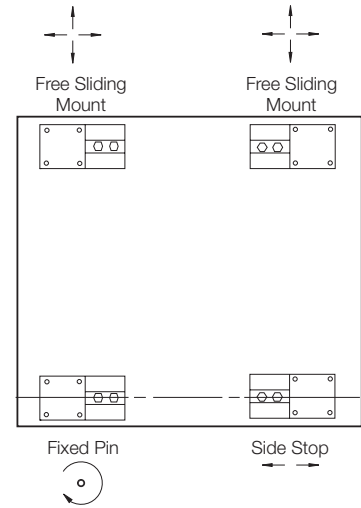
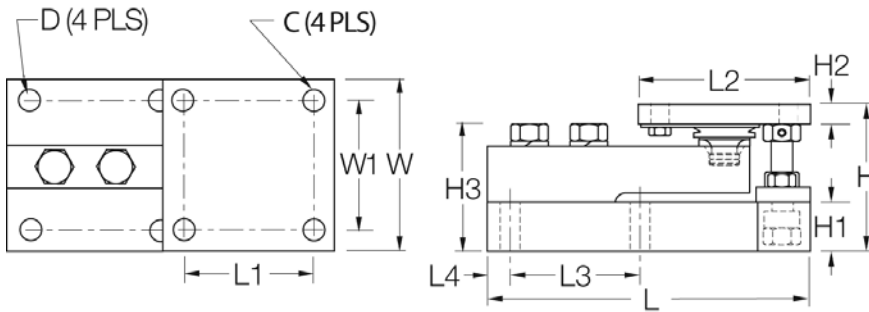
Applications

- Light- to medium-capacity tanks and hoppers
- Mixers and blenders
- Process measurement and control

Dimensions

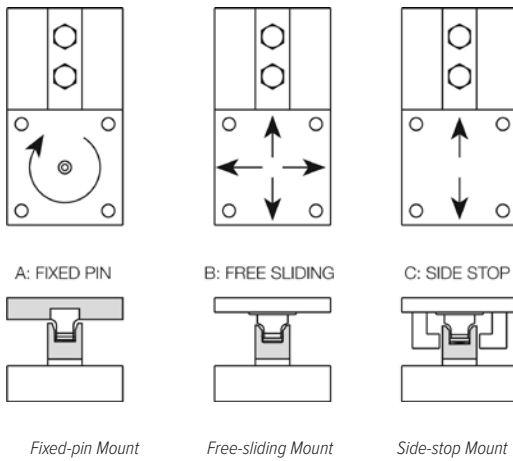
Rated Capacity kN/in	C	D	H	H1	*H2	**H2	H3	L	L1	L2	L3	L4	W	W1
5 to 23	0.44	0.44	3.58	1.25	0.50	0.75	3.06	7.51	3.00	4.00	3.00	0.50	4.00	3.00
50	0.56	0.56	4.66	1.50	0.62	1.00	4.09	9.19	3.87	5.00	3.87	0.56	5.00	3.87
100	0.69	0.69	6.41	2.00	0.75	1.25	5.73	11.46	4.75	6.00	4.75	0.69	6.00	4.75

* Side-stop and free-sliding units ** Fixed-pin units



VESSEL ARRANGEMENT

When arranged as illustrated, the vessel is fixed at one corner but is able to slide freely as indicated. This ensures there is minimal side loading on the cells and at the same time the vessel is self-checking. The unique, patented blind load hole technology used in these mounts introduces the load at the neutral axis of the load cell which helps minimize the effects of side loads.



Fixed-pin Mount

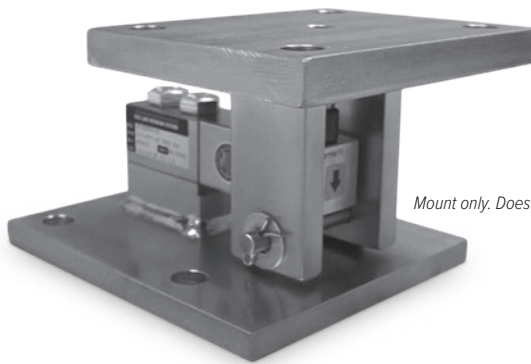
Free-sliding Mount

Side-stop Mount

RLBTM

Mild Steel/Stainless Steel, Weigh Module

LOAD CELLS /
WEIGH MODULES



Mount only. Does not include load cell

Standard Features

- Capacities (per module): 250 to 5,000 lb SE
- Zinc plated, mild steel construction or stainless steel construction
- Self-checking, multi-directional movement
- Design incorporates a ball and cup for self-centering
- Will accommodate a standard shear beam 250 to 5,000 lb SE load cell that has a threaded load hole, such as the RL30000, RL39123, RL32018, RL32018S, RL32218S-HE

Applications

- Light- to medium-capacity tanks and hoppers
- Conveyors

Picture is a representation of actual product.

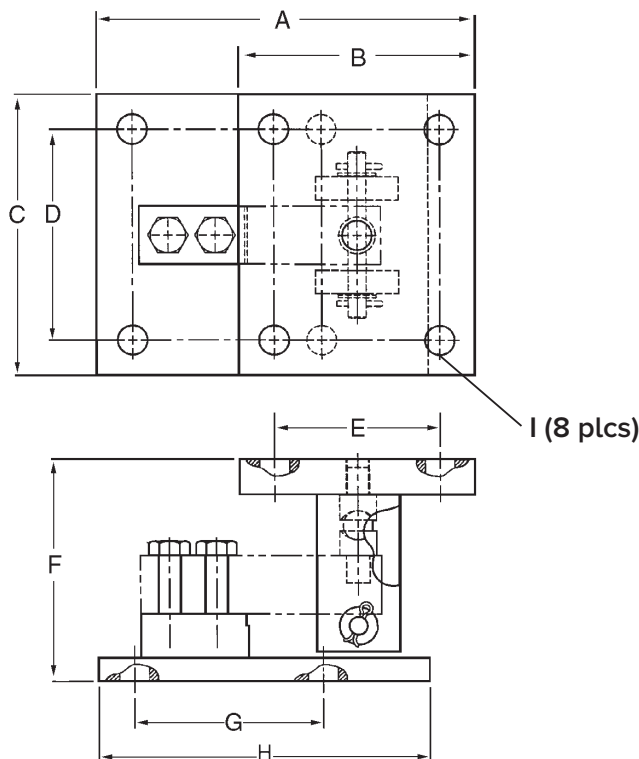
Order Information

Load Rating (Per Module)	Part #	Price
Single Module Mild Steel		
250 to 5,000 lb SE	53059	Consult
Single Module Stainless Steel		
250 to 5,000 lb SE	53066	Consult

Dimensions

Rated Capacity	A	B	C	D	E	F	G	H	I
250 to 5,000 SE	8.00	5.00	6.00	4.50	3.50	4.75	4.00	7.00	0.63

SE=Small envelope



RL1800 Series

Mild Steel/Stainless Steel, Weigh Module Kit

LOAD CELLS / WEIGH MODULES

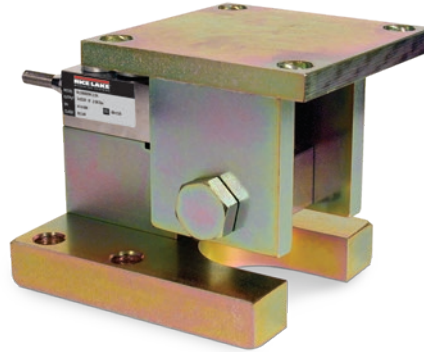


Complete Kit Includes

- Three or four RL1800 mild steel or stainless steel compression mounts with NTEP Certified RL32018 single-ended beam load cells, RL32018S used in stainless steel
- One JB4SS NEMA Type 4X stainless steel signal trim junction box
- 25 ft of hostile environment EL147HE SURVIVOR® load cell cable

Standard Features

- Capacities (per module): 250 to 10,000 lb
- NTEP Certified load cells in 500 to 10,000 lb capacities, except 3,000 lb
- Zinc plated mild steel/stainless steel construction
- Center-pivoted, tension loading design
- Self-checking, multi-directional movement
- Load is suspended on high-strength bolt instead of wire rope
- Design incorporates spherical washers for self centering



Picture is a representation of actual product.

Load Cell Approvals



Except 250lb

Mild Steel Order Information

Load Rating (Per Module)	Part #	Price
Single Module (Does NOT Include Load Cell)		
250 to 5,000 lb SE	17817	Consult
5,000 LE to 10,000 lb	17819	Consult
3-Module Kit		
250 lb*	18075	Consult
500 lb	18076	Consult
1,000 lb	18077	Consult
2,000 lb	18078	Consult
2,500 lb	18079	Consult
3,000 lb	18080	Consult
4,000 lb	18081	Consult
5,000 lb SE	18082	Consult
5,000 lb LE	18083	Consult
10,000 lb	18084	Consult
4-Module Kit		
250 lb*	18085	Consult
500 lb	18086	Consult
1,000 lb	18087	Consult
2,000 lb	18088	Consult
2,500 lb	18089	Consult
3,000 lb	18090	Consult
4,000 lb	18091	Consult
5,000 lb SE	18092	Consult
5,000 lb LE	18093	Consult
10,000 lb	18094	Consult

* Non-NTEP

Stainless Steel Order Information

Load Rating (Per Module)	Part #	Price
Single Module (Does NOT Include Load Cell)		
250 to 4,000 lb	17818	Consult
5,000 to 10,000 lb	17820	Consult
3-Module Kit		
1,000 lb	18095	Consult
2,000 lb	18096	Consult
2,500 lb	18097	Consult
4,000 lb	18099	Consult
5,000 lb LE	18100	Consult
10,000 lb	18101	Consult
4-Module Kit		
1,000 lb	18102	Consult
2,000 lb	18103	Consult
2,500 lb	18104	Consult
4,000 lb	18106	Consult
5,000 lb LE	18107	Consult
10,000 lb	18108	Consult
Dummy Cell		
Dummy load cell 1 k to 5 k SE	22980	Consult

Applications

- Conveyors
- Medium-capacity tanks and hoppers
- Mixers and blenders
- Process measurement and control

RL1800 Series

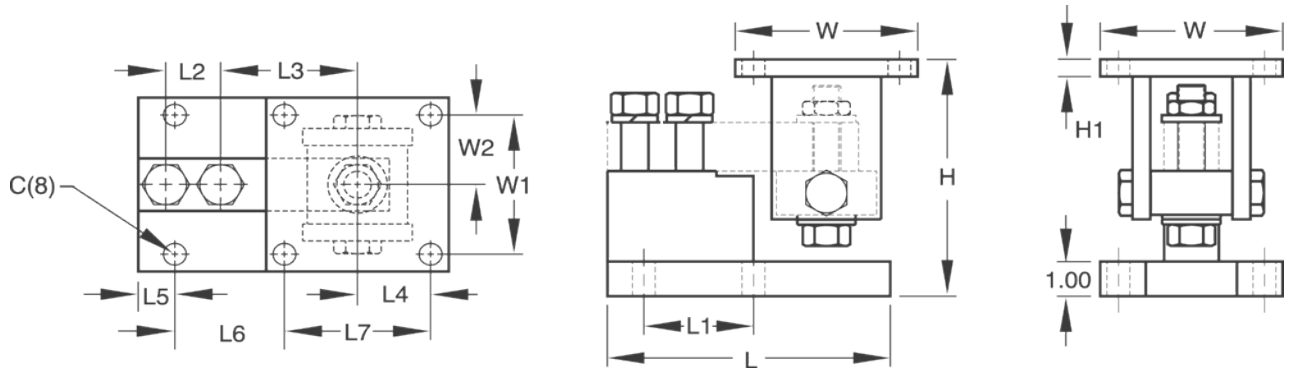
Mild Steel/Stainless Steel, Weigh Module Kit

LOAD CELLS /
WEIGH MODULES

Dimensions

Rated Capacity	C	H Min/Max	H1	L	L1	L2	L3	L4	L5	L6	L7	W	W1	W2
Mild Steel Construction														
lb/in														
250 to 5,000 SE	0.62	5.25/5.56	0.50	6.00	2.00	1.00	3.00	2.00	0.68	1.94	4.00	5.00	4.00	2.00
5,000 LE to 10,000	0.62	6.12/6.62	0.50	7.75	3.00	1.50	3.75	2.00	1.03	2.97	4.00	5.00	4.00	2.00
Stainless Steel Construction														
lb/in														
1,000 to 4,000	0.62	5.25/5.56	0.50	6.00	2.00	1.00	3.00	2.00	0.68	1.94	4.00	5.00	4.00	2.00
5,000 to 10,000	0.62	6.12/6.62	0.50	7.75	3.00	1.50	3.75	2.00	1.03	2.97	4.00	5.00	4.00	2.00

SE=Small envelope; LE=Large envelope



RL1800 Series with MLC Coated Load Cell

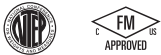
Stainless Steel, Weigh Module Kit

LOAD CELLS / WEIGH MODULES



Picture is a representation of actual product.

Load Cell Approvals



Stainless Steel Order Information

Load Rating (Per Module)	Part #	Price
Single Module (Does NOT Include Load Cell)		
1,000 to 5,000 SE lb	17818	Consult
5,000 LE to 10,000 lb	17820	Consult
3-Module Kit		
1,000 lb	219894	Consult
1,500 lb	219896	Consult
2,000 lb	219898	Consult
2,500 lb	219900	Consult
3,000 lb	219902	Consult
4,000 lb	219904	Consult
5,000 SE lb	219906	Consult
5,000 LE lb	219908	Consult
10,000 lb	219910	Consult
4-Module Kit		
1,000 lb	219895	Consult
1,500 lb	219897	Consult
2,000 lb	219899	Consult
2,500 lb	219901	Consult
3,000 lb	219903	Consult
4,000 lb	219905	Consult
5,000 SE lb	219907	Consult
5,000 LE lb	219909	Consult
10,000 lb	219911	Consult

Dimensions

Rated Capacity C	H Min/Max	H1	L	L1	L2	L3	L4	L5	L6	L7	W	W1	W2	
lb/in														
1,000 to 5,000 SE	0.62	5.25/5.56	0.50	6.00	2.00	1.00	3.00	2.00	0.68	1.94	4.00	5.00	4.00	2.00
5,000 LE to 10,000	0.62	6.12/6.62	0.50	7.75	3.00	1.50	3.75	2.00	1.03	2.97	4.00	5.00	4.00	2.00

SE=Small envelope; LE=Large envelope

Complete Kit Includes

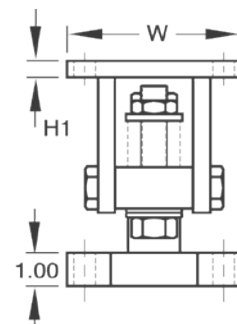
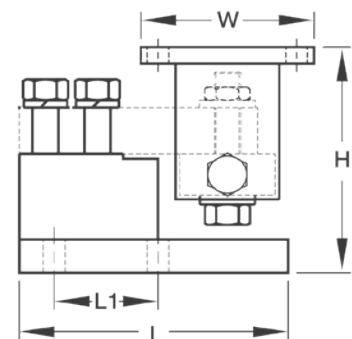
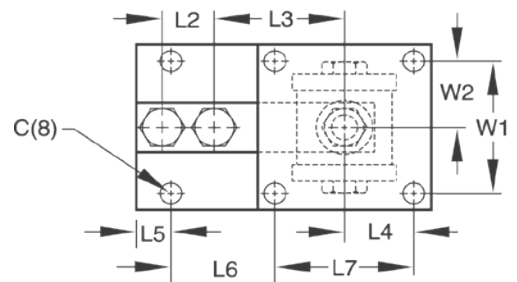
- Three or four RL1800 stainless steel compression mounts with MLC coated RL32018 NTEP Certified single-ended beam load cells
- One JB4SS NEMA Type 4X stainless steel signal trim junction box
- 25 ft of hostile environment EL147HE SURVIVOR® load cell cable

Standard Features

- Capacities (per module): 1,000 to 10,000 lb
- NTEP Certified load cells in 1,000 to 10,000 lb capacities
- Stainless steel mounts
- Center-pivoted, tension loading design
- Self-checking, multi-directional movement
- Load is suspended on high-strength bolt instead of wire rope
- Design incorporates spherical washers for self centering
- Coated load cells for corrosion protection

Applications

- Conveyors
- Medium-capacity tanks and hoppers



RL1900 Series

Stainless Steel, Weigh Module Kit

LOAD CELLS /
WEIGH MODULES



Picture is a representation of actual product.

Load Cell Approvals

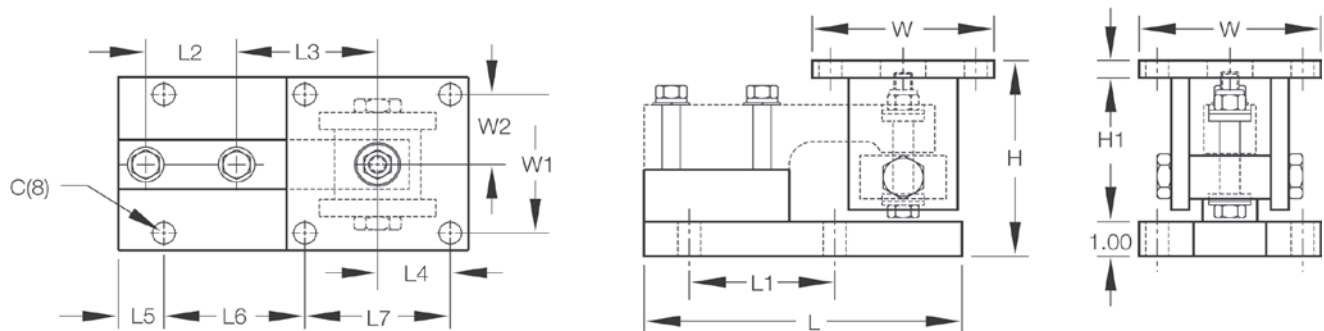


Order Information

Load Rating (Per Module)	Part #	Price
Single Module (Does NOT Include Load Cell)		
1,000 to 5,000 lb	17841	Consult
10,000 lb	17843	Consult
3-Module Kit		
1,000 lb	18109	Consult
2,000 lb	18110	Consult
5,000 lb	18111	Consult
10,000 lb	18112	Consult
4-Module Kit		
1,000 lb	18113	Consult
2,000 lb	18114	Consult
5,000 lb	18115	Consult
10,000 lb	18116	Consult

Dimensions

Rated Capacity C	H Min/Max	H1	L	L1	L2	L3	L4	L5	L6	L7	W	W1	W2	
lb/in														
1,000 to 5,000	0.62	5.38/5.62	0.50	8.75	4.00	2.50	3.88	2.00	1.12	4.00	4.00	5.00	4.00	2.00
10,000	0.81	6.88/7.50	1.00	9.75	5.00	2.63	4.88	2.25	1.00	5.00	4.50	6.00	4.50	2.25



Complete Kit Includes

- Three or four RL1900 stainless steel compression mounts with RLSSB NTEP Certified welded stainless steel single-ended beam load cells
- One JB4SS NEMA Type 4X stainless steel signal trim junction box
- 25 ft of hostile environment EL147HE SURVIVOR® load cell cable

Standard Features

- Capacities (per module): 1,000 to 10,000 lb
- NTEP Certified load cells, 1:5000 d, Class III single cell
- Stainless steel construction
- Mild steel top plate
- Low-profile design
- Center-pivoted, tension loading design
- Welded-seal stainless steel load cells, IP67
- Self-checking, multi-directional movement
- Easy load cell replacement
- Load is suspended on a high-strength bolt instead of wire rope
- Design incorporates spherical washers
- Compatible with VPG® Revere SSB load cells
- Stainless steel top plates optional

Applications

- Medium-capacity tanks, bins and hoppers
- Washdown or corrosive applications



Picture is a representation of actual product.

Load Cell Approvals



Order Information

Load Rating (Per Module)	Part #	Price
Single Module (Includes Load Cell)		
500 lb	159288	Consult
1,250 lb	159289	Consult
2,500 lb	159290	Consult
5,000 lb	159291	Consult
10,000 lb	159292	Consult
3-Module Kit		
500 lb	162942	Consult
1,250 lb	162944	Consult
2,500 lb	162945	Consult
5,000 lb	162946	Consult
10,000 lb	162947	Consult
4-Module Kit		
500 lb	162948	Consult
1250 lb	162949	Consult
2500 lb	162950	Consult
5000 lb	162951	Consult
10,000 lb	162953	Consult

Complete Kit Includes

- Three or four Rice Lake RLTM stainless steel mounting assemblies with RL32018S-T NTEP Certified, welded-seal stainless steel load cells
- One JB4SS NEMA Type 4X stainless steel signal trim junction box
- 25 ft of hostile environment EL147HE SURVIVOR® load cell cable

Standard Features

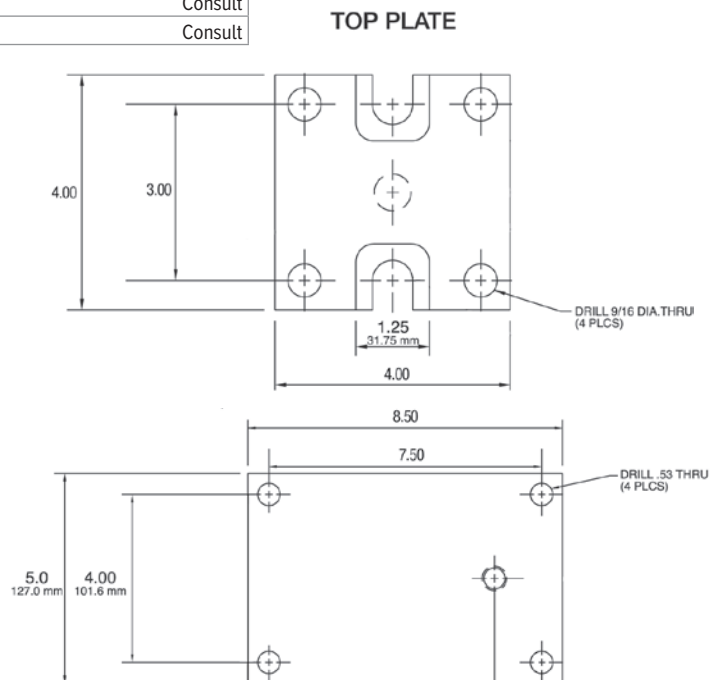
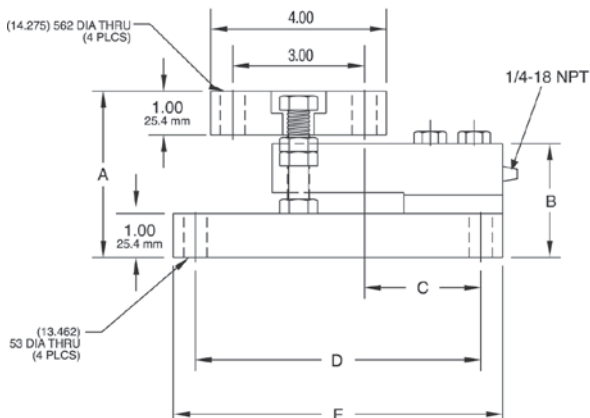
- Capacities (per module) 500 to 10,000 lb
- NTEP Certified load cells, 1:5,000 d, Class III multiple cell
- Stainless steel construction
- Overload and uplift protection
- Rocker pin loading
- Integral lateral stops

Applications

- Lower capacity tank and vessel weighing
- Process control and batching

Dimensions

Rated Capacity	A	B	C	D	E
500 to 2,500	3.77	2.59	2.62	6.50	7.50
5,000	3.99	2.83	2.62	6.50	7.50
10,000	4.27	3.08	3.88	7.50	8.50



BASE PLATE

RL9000TWM Series

Stainless Steel, Weigh Module Kit

LOAD CELLS /
WEIGH MODULES



Picture is a representation of actual product.

Load Cell Approvals



Complete Kit Includes

- Three or four stainless steel mounting assemblies with RL9000TWM compression disk load cells
- One JB4SS NEMA Type 4X stainless steel signal trim junction box
- 25 ft of hostile environment EL147HE SURVIVOR® load cell cable

Standard Features

- Capacities (per module): 1,000 to 450,000 lb
- Stainless steel construction
- Mild steel base plates (stainless steel available on some capacities)
- Low-profile design
- Self-centering
- Self-checking assembly
- Offers 100% sideload, 100% uplift and 150% static safe load and 300% ultimate static overload protection
- Weighs accurately with up to 3° non-parallel load

Applications

- Tank, hopper or vessel weighing

Specifications

Full Scale Output:

3.0 (\pm 0.1%) mV/V

Bridge Resistance:

350 ohm

Material/Finish:

Stainless steel

Temperature:

Operating:
0 °F to 150 °F (-17 °C to 65 °C)

Seal Type:

Welded-seal, IP67

Safe Overload:

150% full scale

Rated Excitation:

5 to 10 VDC

Nonlinearity:

1,000 to 100,000 lb: 0.05% FS

150,000 to 450,000 lb: 0.1% FS

Insulation Resistance:

5,000 megohm

Non-repeatability:

1,000 to 100,000 lb: 0.02% full scale

150,000 to 450,000 lb: 0.03% full scale

Cable Length:

25 ft

Deflection at Capacity:

1,000 to 15,000 lb: 0.002 in

20,000 to 50,000 lb: 0.004 in

60,000 to 200,000 lb: 0.007 in

250,000 to 450,000 lb: 0.009 in

Cable Color Code:

Green +Excitation

Black -Excitation

White +Signal

Red -Signal

Warranty:

Two-year limited

RL9000TWM Series

Stainless Steel, Weigh Module Kit

LOAD CELLS / WEIGH MODULES

Order Information

Load Rating (Per Module)	Part #	Price
Single Module		
1,000 lb	84353	Consult
2,500 lb	84354	Consult
5,000 lb	84355	Consult
10,000 lb	84356	Consult
15,000 lb	84357	Consult
20,000 lb	84358	Consult
25,000 lb	84359	Consult
35,000 lb	84360	Consult
50,000 lb	84361	Consult
60,000 lb	84362	Consult
75,000 lb	84363	Consult
100,000 lb	84364	Consult
150,000 lb	84365	Consult
200,000 lb	84366	Consult
250,000 lb	84368	Consult
300,000 lb	84369	Consult
400,000 lb	84370	Consult
450,000 lb	84371	Consult
3-Module Kit		
1,000 lb	98974	Consult
2,500 lb	98980	Consult
5,000 lb	98981	Consult
10,000 lb	98982	Consult
15,000 lb	98983	Consult
20,000 lb	98984	Consult
25,000 lb	98985	Consult
35,000 lb	98986	Consult
50,000 lb	98987	Consult
60,000 lb	98988	Consult
75,000 lb	98989	Consult
100,000 lb	98990	Consult
150,000 lb	98991	Consult
200,000 lb	98992	Consult
250,000 lb	98993	Consult
300,000 lb	98994	Consult
400,000 lb	98995	Consult
450,000 lb	98996	Consult
4-Module Kit		
1,000 lb	98997	Consult
2,500 lb	98998	Consult
5,000 lb	98999	Consult
10,000 lb	99000	Consult
15,000 lb	99001	Consult
20,000 lb	99002	Consult
25,000 lb	99003	Consult
35,000 lb	99004	Consult
50,000 lb	99005	Consult
60,000 lb	99006	Consult
75,000 lb	99007	Consult
100,000 lb	99008	Consult
150,000 lb	99009	Consult
200,000 lb	99010	Consult
250,000 lb	99011	Consult
300,000 lb	99012	Consult
400,000 lb	99013	Consult
450,000 lb	99014	Consult

Load Rating (Per Module)	Part #	Price
Top Plates (Stainless Steel) with bolts		
1,000 to 15,000 lb	91207	Consult
20,000 to 50,000 lb	91210	Consult
60,000 to 100,000 lb	91211	Consult
150,000 to 200,000 lb	91213	Consult
250,000 to 450,000 lb	91215	Consult
Top Plates (Mild Steel) with bolts		
1,000 to 15,000 lb	124758	Consult
20,000 to 50,000 lb	125141	Consult
60,000 to 100,000 lb	124759	Consult
150,000 to 200,000 lb	124760	Consult
250,000 to 450,000 lb	124761	Consult
Dummy Weigh Modules (non-functioning)		
1,000 to 10,000 lb	158749	Consult
15,000 lb	158750	Consult
20,000 to 50,000 lb	158752	Consult
60,000 to 100,000 lb	158753	Consult
150,000 to 200,000 lb	158754	Consult
250,000 to 450,000 lb	158755	Consult

150,000 to 450,000lb have mild steel painted base plates

Order Information

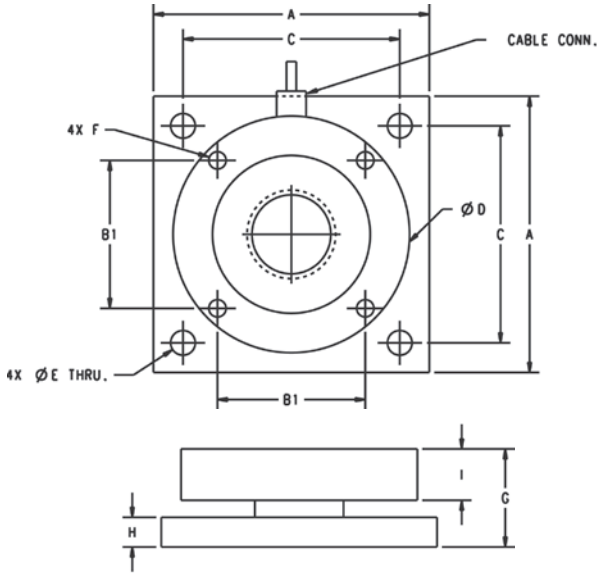
Capacity	Thickness	Material	Part #	Price
Shims				
1,000 to 15,000 lb	0.0625	SST	167001	Consult
1,000 to 15,000 lb	0.125	SST	167002	Consult
1,000 to 15,000 lb	0.250	SST	167003	Consult
1,000 to 15,000 lb	0.0625	MS	167004	Consult
1,000 to 15,000 lb	0.125	MS	167005	Consult
1,000 to 15,000 lb	0.250	MS	167006	Consult
20,000 to 50,000 lb	0.0625	SST	167008	Consult
20,000 to 50,000 lb	0.125	SST	167009	Consult
20,000 to 50,000 lb	0.250	SST	167010	Consult
20,000 to 50,000 lb	0.0625	MS	167011	Consult
20,000 to 50,000 lb	0.125	MS	167012	Consult
20,000 to 50,000 lb	0.250	MS	167013	Consult
60,000 to 100,000 lb	0.0625	SST	167014	Consult
60,000 to 100,000 lb	0.125	SST	167015	Consult
60,000 to 100,000 lb	0.250	SST	167016	Consult
150,000 to 200,000 lb	0.0625	SST	167020	Consult
150,000 to 200,000 lb	0.125	SST	167021	Consult
150,000 to 200,000 lb	0.250	SST	167022	Consult
250,000 to 450,000 lb	0.0625	SST	167026	Consult
250,000 to 450,000 lb	0.125	SST	167027	Consult
250,000 to 450,000 lb	0.250	SST	167028	Consult

Shims match dimensions of base plate and optional top plate

RL9000TWM Series

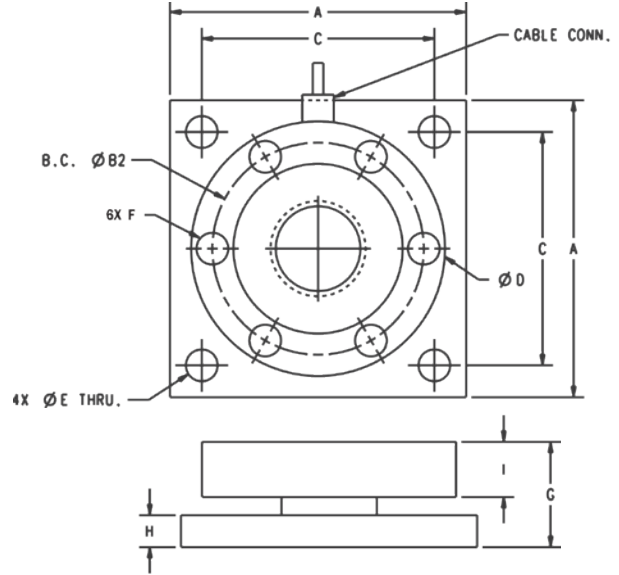
Stainless Steel, Weigh Module Kit

LOAD CELLS /
WEIGH MODULES



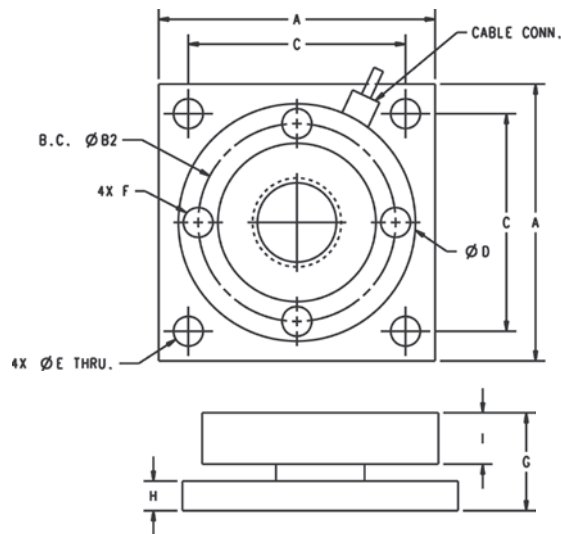
Dimensions

Rated Capacity	A	B1	C	D	E	F	G	H	I	Conduit Adapter
1,000 to 10,000	4.00	2.00	3.25	3.50	0.40	3/8-16 UNC	1.35	0.375	0.75	-
15,000	4.00	2.00	3.25	3.50	0.40	3/8-16 UNC	1.60	0.625	0.75	-
20,000 to 50,000	7.00	3.75	5.50	6.00	0.63	1/2-13 UNC	2.48	0.75	1.30	1/2-14 NPT
60,000 to 100,000	8.00	4.25	6.50	7.00	0.81	3/4-16 UNC	2.50	1.00	1.30	1/2-14 NPT



Dimensions

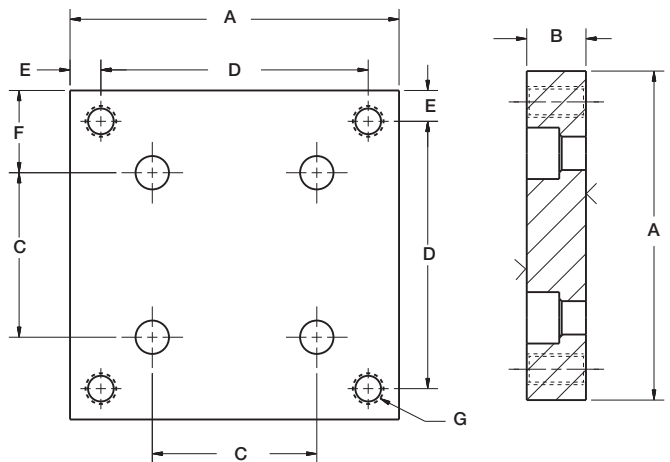
Rated Capacity	A	B2	C	D	E	F	G	H	I	Conduit Adapter
250,000 to 450,000	11.00	7.75	9.00	9.00	1.30	7/8-14 UNF	6.42	3.00	2.25	1/2-14 NPT



Dimensions

Rated Capacity	A	B2	C	D	E	F	G	H	I	Conduit Adapter
150,000 to 200,000	10.0	7.825	8.00	9.00	1.10	1-14 UNF	4.75	2.00	1.70	1/2-14 NPT

Optional Top Plates



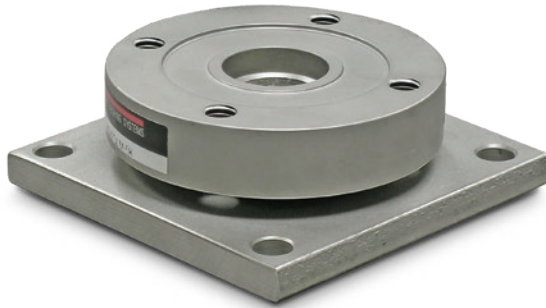
Dimensions

Rated Capacity	A	B	C	D	E	F	G
1,000 to 15,000	4.00	0.72	2.00	3.25	0.38	1.00	3/8-16 UNC
20,000 to 50,000	7.00	0.97	3.75	5.50	0.75	1.62	5/8-11 UNC
60,000 to 100,000	8.00	1.46	4.25	6.50	0.75	1.88	3/4-16 UNF
150,000 to 200,000	10.00	1.94	5.53	8.00	1.00	2.25	1-14 UNS
250,000 to 450,000	11.00	2.94	7.75 B.C.	9.00	1.00	1.00	1-1/4-12 UNF

RL9000TWM-HT

Stainless Steel, High Temperature, Weigh Module

LOAD CELLS /
WEIGH MODULES



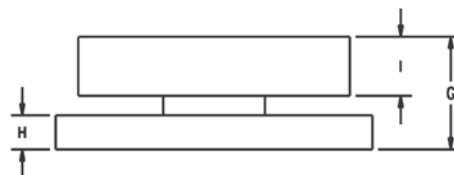
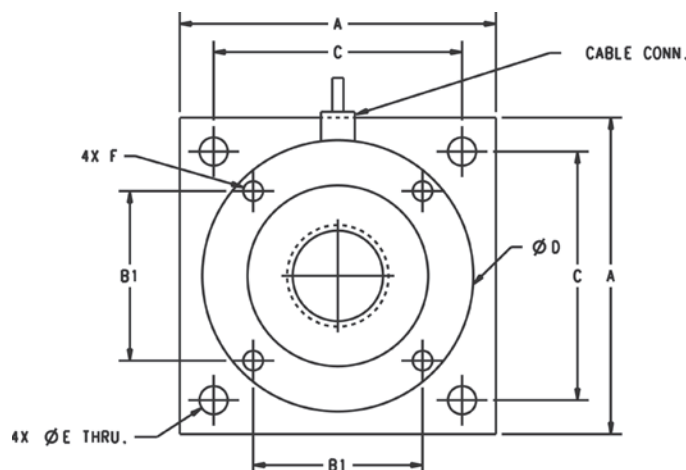
Picture is a representation of actual product.

Order Information

Load Rating (per module)	Part #	Price
Single Module		
1,000 lb	117050	Consult
2,500 lb	117051	Consult
5,000 lb	117052	Consult
10,000 lb	117140	Consult
15,000 lb	117053	Consult
20,000 lb	117054	Consult
25,000 lb	117055	Consult
35,000 lb	117056	Consult
50,000 lb	117057	Consult
Top Plates (Stainless Steel) with bolts		
1,000 to 15,000 lb	91207	Consult
20,000 to 50,000 lb	91210	Consult
Top Plates (Mild Steel) with bolts		
1,000 to 15,000 lb	124758	Consult
20,000 to 50,000 lb	125141	Consult

Dimensions

Rated Capacity	A	B1	C	D	E	F	G	H	I	Conduit Adapter
lb/in										
1,000 to 10,000	4.00	2.00	3.25	3.50	0.40	3/8-16 UNC	1.35	0.375	0.75	-
15,000	4.00	2.00	3.25	3.50	0.40	3/8-16 UNC	1.60	0.625	0.75	-
20,000 to 50,000	7.00	3.75	5.50	6.00	0.63	1/2-13 UNC	2.48	0.750	1.30	1/2-14NPT



Standard Features

- Capacities: 1,000 to 50,000 lb
- Stainless steel construction
- Low-profile design
- Self-centering
- Self-checking assembly
- Offers 100% side load, 100% uplift, 150% safe load and 300% ultimate overload protection
- Weighs accurately with up to 3° non-parallel load

Applications

- Tank, hopper, or vessel weighing
- High temperature applications

Optional Features

- Stainless steel top plates
- Higher capacities available upon request

Specifications

Full Scale Output:

3.0 (± 0.1%) mV/V

Bridge Resistance:

700 ohm

Material/Finish:

Stainless steel

Temperature:

Operating:

0 °F to 400 °F (-17 °C to 204 °C)

Seal Type:

Welded seal, IP67

Safe Overload:

150% full scale

Nonlinearity:

0.01% full scale

Insulation Resistance:

5,000 megohm

Non-repeatability:

0.02% full scale

Deflection at Capacity:

1,000 to 15,000 lb: 0.002 in

20,000 to 50,000 lb: 0.004 in

Cable Length:

25 ft PTFE jacket

Cable Color Code:

Green +Excitation

Black -Excitation

White +Signal

Red -Signal

Warranty:

Two-year limited

RL2200 Series

Mild Steel, Weigh Module Kit

LOAD CELLS /
WEIGH MODULES



Picture is a representation of actual product.

Order Information

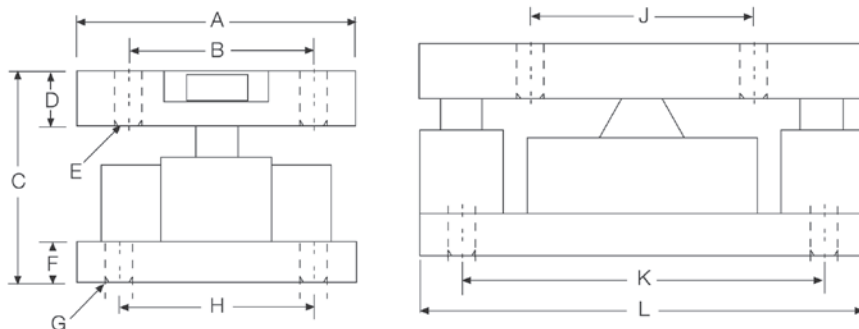
Load Rating (Per Module)	Part #	Price
Single Module		
2,500 lb	76656	Consult
5,000 lb	45849	Consult
10,000 lb	45848	Consult
25,000 lb	45847	Consult
50,000 lb	45846	Consult
3-Module Kit		
2,500 lb	76897	Consult
5,000 lb	42811	Consult
10,000 lb	42812	Consult
25,000 lb	42813	Consult
50,000 lb	42814	Consult
4-Module Kit		
2,500 lb	76898	Consult
5,000 lb	42815	Consult
10,000 lb	42816	Consult
25,000 lb	42817	Consult
50,000 lb	42818	Consult

Replacement Load Cell Order Information

Load Rating (Per Module)	Part #	Price
2,500 lb	76654	Consult
5,000 lb	45708	Consult
10,000 lb	45709	Consult
25,000 lb	45710	Consult
50,000 lb	45711	Consult

Dimensions

Rated Capacity	A	B	C	D	E	F	G	H	J	K	L
lb/in											
2,500 to 10,000	5.00	3.50	4.00	1.00	0.52	1.00	0.52	3.50	4.00	6.50	8.00
25,000 to 50,000	6.00	4.50	5.00	1.25	0.78	1.00	0.78	4.50	5.00	7.75	10.00



Complete Kit Includes

- Three or four RL2200 high-alloy, zinc-plated steel mounting assemblies with RL2200 compression disk load cells
- One JB4SS NEMA Type 4X stainless steel signal trim junction box
- 25 ft of hostile environment EL147HE SURVIVOR® load cell cable

Standard Features

- Capacities (per module): 2,500 to 50,000 lb
- Low-profile design
- Self-centering in all directions, able to withstand excessive side loads
- Self-checking assembly

Applications

- Tank, hopper or vessel weighing
- Belt or roller conveyors
- Scale platforms and screw feeders

Specifications

Full Scale Output:

4.0 mV/V
2.0 mV/V (2,500 lb)

Bridge Resistance:

350 ohm nominal

Material/Finish:

High-alloy steel, painted

Temperature:

Compensated:
15 °F to 115 °F (-9 °C to 46 °C)

Seal Type:

Environmentally sealed

Safe Overload:

150% full scale

Rated Excitation:

5 to 10 VDC (20 V maximum)

Nonlinearity:

0.05% full scale

Hysteresis:

0.03% full scale

Insulation Resistance:

5,000 megohm

Cable Length:

30 ft

Cable Color Code:

Red +Excitation
Black -Excitation
White +Signal
Green -Signal

Warranty:

Two-year limited

RL2200SS Series

Stainless Steel, Weigh Module Kit

LOAD CELLS /
WEIGH MODULES



Picture is a representation of actual product.

Complete Kit Includes

- Three or four RL2200 stainless steel mounting assemblies with RL2200SS stainless steel, hermetically sealed, compression disk load cells
- One JB4SS NEMA Type 4X stainless steel signal trim junction box
- 25 ft of hostile environment EL147HE SURVIVOR® load cell cable

Applications

- Medium- to heavy-capacity tank, hopper or vessel weighing
- Belt or roller conveyors
- Scale platforms and screw feeders

Specifications

Full Scale Output:

4.0 mV/V
2.0 mV/V (2,500 lb)

Bridge Resistance:

350 ohm nominal

Material/Finish:

Stainless steel

Temperature:

Compensated:
15 °F to 115 °F (9 °C to 46 °C)

Seal Type:

Hermetically sealed, IP66/68

Safe Overload:

150% full scale

Rated Excitation:

5 to 10 VDC (20 V maximum)

Nonlinearity:

0.05% full scale

Hysteresis:

0.03% full scale

Insulation Resistance:

5,000 megohm

Cable Length:

30 ft

Cable Color Code:

Red +Excitation
Black -Excitation
White +Signal
Green -Signal

Warranty:

Two-year limited

Order Information

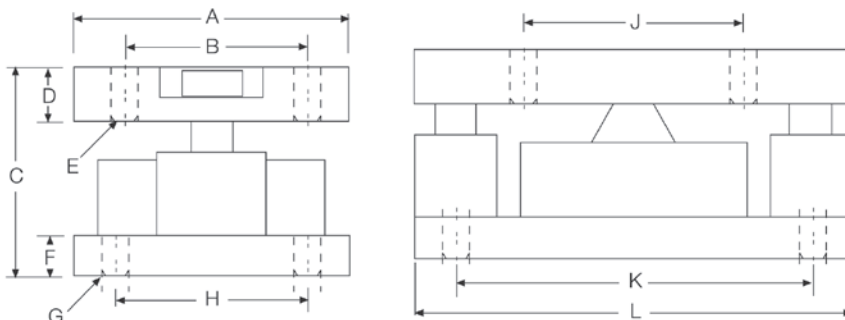
Load Rating (Per Module)	Part #	Price
Single Module		
2,500 lb	76657	Consult
5,000 lb	45845	Consult
10,000 lb	45844	Consult
25,000 lb	45843	Consult
50,000 lb	45842	Consult
3-Module Kit		
2,500 lb	76899	Consult
5,000 lb	46478	Consult
10,000 lb	46479	Consult
25,000 lb	46480	Consult
50,000 lb	46481	Consult
4-Module Kit		
2,500 lb	76900	Consult
5,000 lb	46482	Consult
10,000 lb	46483	Consult
25,000 lb	46484	Consult
50,000 lb	46485	Consult

Replacement Load Cell Order Information

Load Rating (Per Module)	Part #	Price
2,500 lb	76655	Consult
5,000 lb	45712	Consult
10,000 lb	45713	Consult
25,000 lb	45714	Consult
50,000 lb	45715	Consult

Dimensions

Rated Capacity	A	B	C	D	E	F	G	H	J	K	L
lb/in											
2,500 to 10,000	5.00	3.50	4.00	1.00	0.52	1.00	0.52	3.50	4.00	6.50	8.00
25,000 to 50,000	6.00	4.50	5.00	1.25	0.78	1.00	0.78	4.50	5.00	7.75	10.00



RLC

Stainless Steel, Weigh Module Kit, VPG® Revere

LOAD CELLS /
WEIGH MODULES



Picture is a representation of actual product.

Load Cell Approvals



Complete Kit Includes

- Three or four RLC stainless steel compression mounts with RLC NTEP Certified stainless steel hermetically sealed compression disk load cells
- One JB4SS NEMA Type 4X stainless steel signal trim junction box
- 25 ft of hostile environment EL147HE SURVIVOR® load cell cable

Standard Features

- Capacities (per module): 0.5 to 5 t
- mV/V/Ohm calibrated load cells eliminates the need for trimming
- Stainless steel construction
- Rocker pin design allows movement in all directions
- Easy load cell replacement
- Integral jacking/shipping bolts

Applications

- Medium-capacity tanks, bins and hoppers
- Washdown or corrosive applications
- Process control and batch weighing

Order Information

Load Rating (Per Module)	Part #	Price
Single Module (Includes Load Cell)		
0.5t	36401	Consult
1t	36402	Consult
2t	36403	Consult
5t	36405	Consult
3-Module Kit		
0.5t	36406	Consult
1t	36407	Consult
2t	36408	Consult
5t	36410	Consult
4-Module Kit		
0.5t	36411	Consult
1t	36412	Consult
2t	36413	Consult
5t	36415	Consult

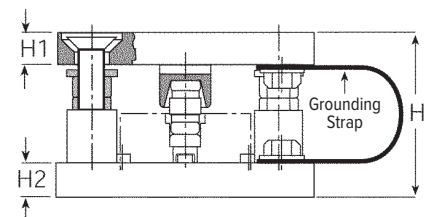
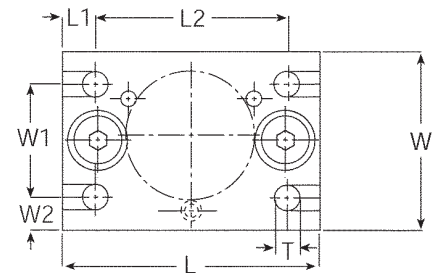
Replacement Rocker Pin Set*

Load Rating (Per Module)	Part #	Price
0.5t to 1t	170875	Consult
2t to 5t	170876	Consult

*Kit includes upper cup, rocker pin and grease

Dimensions

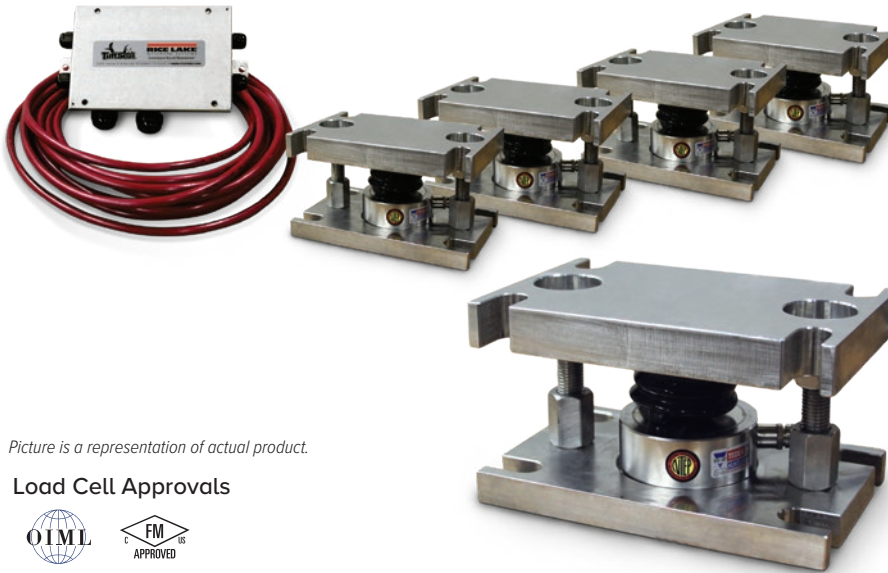
Rated Capacity	H	H1	H2	L	L1	L2	T	W	W1	W2
ton/mm										
0.5 to 1	80.0	20.0	15.0	150.0	15.0	120.0	14.0 (top plate)	100.0	70.0	15.0
2 to 5	100.0	20.0	20.0	160.0	20.0	120.0	13.8 (bottom plate)	110.0	70.0	20.0



220 Universal Mount

Stainless Steel, Weigh Module Kit, VPG® Tedeia-Huntleigh®

LOAD CELLS /
WEIGH MODULES



Picture is a representation of actual product.

Load Cell Approvals



Complete Kit Includes

- Three or four 220 stainless steel compression mounts with 220 stainless steel hermetically sealed compression disk load cells
- One JB4SS NEMA Type 4X stainless steel signal trim junction box
- 25 ft of hostile environment EL147HE SURVIVOR® load cell cable

Standard Features

- Capacities (per module): 5,000 to 30,000 kg
- mV/V/ohm calibrated load cells eliminates the need for trimming
- Stainless steel construction
- Easy load cell replacement
- Integral jacking/shipping bolts

Applications

- Medium- to high-capacity tanks, bins and hoppers
- Washdown or corrosive applications
- Process control and batch weighing

Order Information

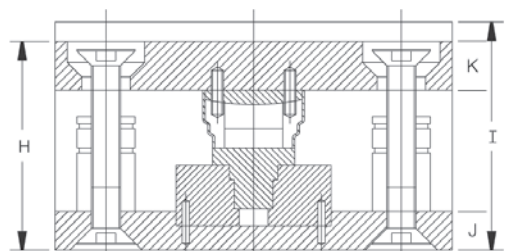
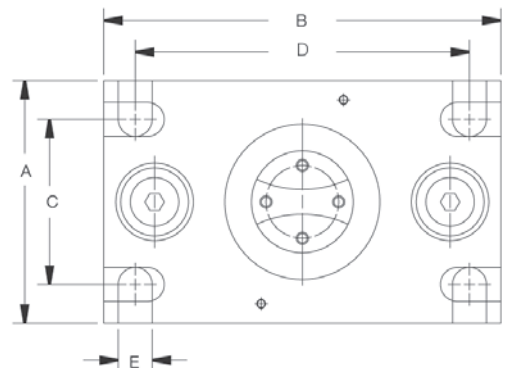
Load Rating (Per Module)	Part #	Price
3-Module Kit (Includes Load Cell)		
5,000 kg	66208	Consult
10,000 kg	66209	Consult
20,000 kg	66210	Consult
30,000 kg	66211	Consult
4-Module Kit (Includes Load Cell)		
5,000 kg	66212	Consult
10,000 kg	66213	Consult
20,000 kg	66214	Consult
30,000 kg	66215	Consult

Replacement Mount Parts

Load Rating (Per Module)	Part #	Price
Saddle 5,000 to 10,000 kg	227786	Consult
Rolling cylinder 5,000 to 10,000 kg	170882	Consult
Load adapter 5,000 kg	170880	Consult
Load adapter 10,000 kg	170881	Consult
Rubber boot 5,000 to 10,000 kg	171211	Consult
Saddle 20,000 to 30,000 kg	170884	Consult
Rolling cylinder 5,000 to 10,000 kg	170885	Consult
Load adapter 5,000 to 10,000 kg	170883	Consult
Rubber boot 5,000 to 10,000 kg	171212	Consult

Dimensions

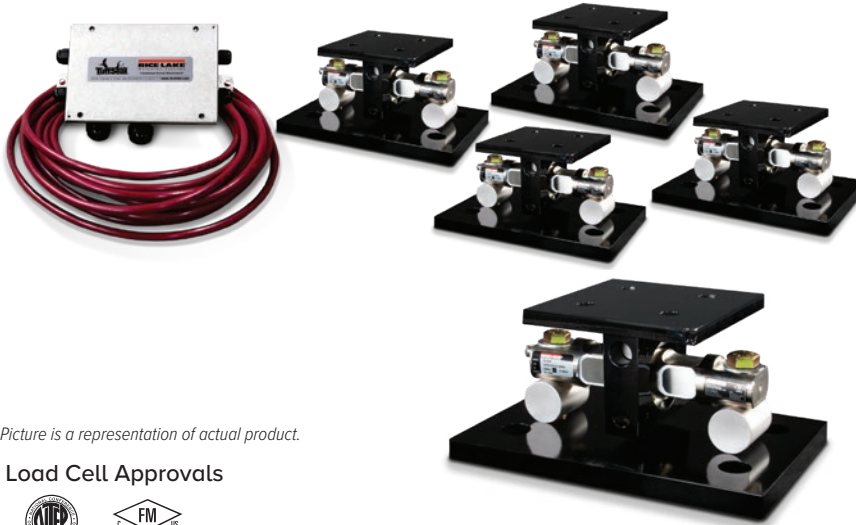
Rated Capacity	A	B	C	D	E	H	I	J	K
kg/mm									
5,000 to 10,000	127.0	203.0	90.0	170.0	18.0	107.0	Load Cell Replacement Height: 118.0 Operating Height: 107.0	19.1	25.4
20,000 to 30,000	152.0	245.0	115.0	208.0	24.0	148.0	Load Cell Replacement Height: 156.0 Operating Height: 148.1	31.8	25.4



EZ Mount 1 with RL72020

Mild Steel, Weigh Module Kit

LOAD CELLS /
WEIGH MODULES



Picture is a representation of actual product.

Load Cell Approvals



Order Information

Load Rating (Per Module)	Part #	Price
Single Module (Does NOT Include Load Cell)		
5,000 to 20,000 lb	17823	Consult
30,000 to 60,000 lb	17824	Consult
100,000 lb	17850	Consult
150,000 lb	29012	Consult
200,000 to 250,000 lb	26068	Consult
3-Module Kit		
5,000 lb	208881	Consult
10,000 lb	208882	Consult
20,000 lb	208883	Consult
30,000 lb	208884	Consult
40,000 lb	208885	Consult
50,000 lb	208886	Consult
60,000 lb	208887	Consult
100,000 lb	208888	Consult
150,000 lb	208889	Consult
4-Module Kit		
5,000 lb	208892	Consult
10,000 lb	208893	Consult
20,000 lb	208894	Consult
30,000 lb	208895	Consult
40,000 lb	208896	Consult
50,000 lb	208897	Consult
60,000 lb	208898	Consult
100,000 lb	208899	Consult
150,000 lb	208900	Consult

VPG Revere 5103

Order Information

Load Rating (Per Module)	Part #	Price
3-Module Kit		
5,000 lb	18175	Consult
10,000 lb	18176	Consult
20,000 lb	18177	Consult
30,000 lb	32169	Consult
40,000 lb	32171	Consult
50,000 lb	18178	Consult
60,000 lb	18179	Consult
100,000 lb	18180	Consult
150,000 lb	18181	Consult
4-Module Kit		
5,000 lb	18182	Consult
10,000 lb	18183	Consult
20,000 lb	18184	Consult
30,000 lb	32170	Consult
40,000 lb	32172	Consult
50,000 lb	18185	Consult
60,000 lb	18186	Consult
100,000 lb	18187	Consult
150,000 lb	18188	Consult
Dummy Load Cells		
5,000 to 20,000 lb	33749	Consult
30,000 to 60,000 lb	74016	Consult
100,000 lb	94175	Consult
150,000 lb	158715	Consult
Grounding Kit		
5,000 to 60,000 lb	126419	Consult

Complete Kit Includes

- Three or four EZ Mount 1 mild steel compression mounts with RL72020 NTEP Certified double-ended shear beam load cells
- One JB4SS NEMA Type 4X stainless steel signal trim junction box
- 25 ft of hostile environment EL147HE SURVIVOR® load cell cable

Standard Features

- Capacities (per module): 5,000 to 250,000 lb
- Unique sliding pin design compensates for thermal expansion/contraction
- Coated mild steel construction
- Self-checking
- Easy load cell replacement
- Simplified design allows bolting directly to tank and floor
- Double-ended beam design, center loaded
- Low-profile design
- Compatible with VPG® Revere 5103 load cell

Applications

- Medium- to heavy-capacity tank and hopper weighing applications

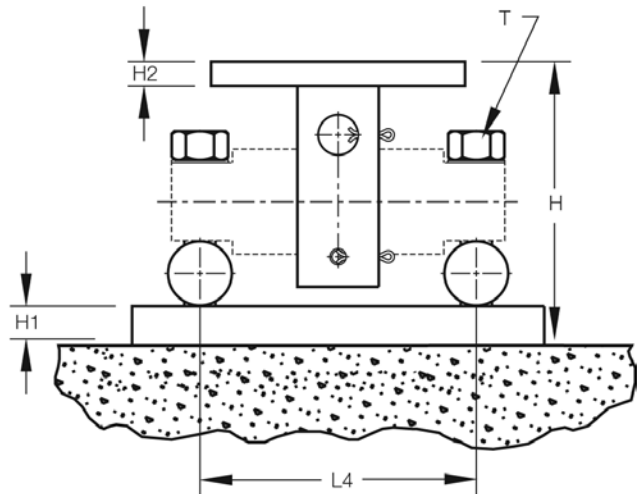
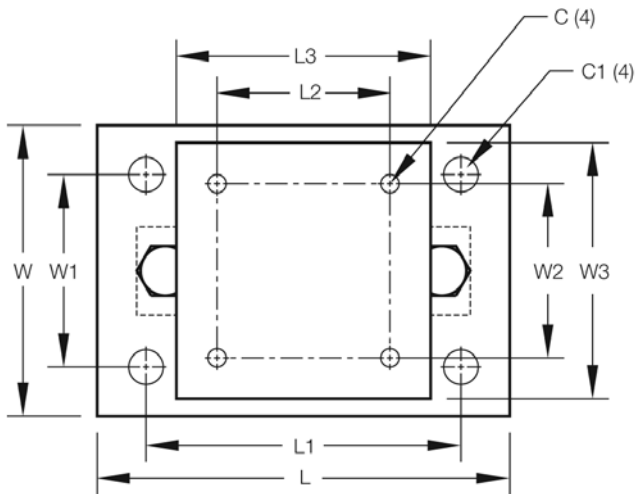
EZ Mount 1 with RL72020

Mild Steel, Weigh Module Kit

LOAD CELLS /
WEIGH MODULES

Dimensions

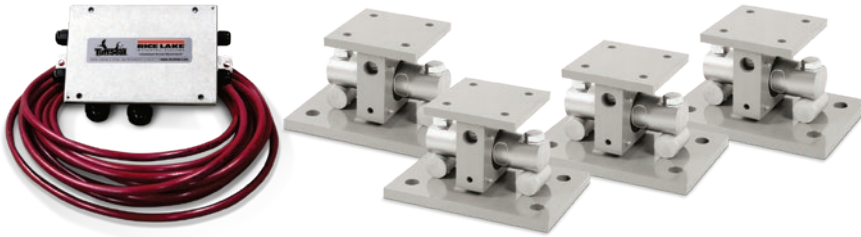
Rated Capacity	C	C1	H	H1	H2	L	L1	L2	L3	L4	T	W	W1	W2	W3
5,000 to 20,000	0.56	1.06	5.31	0.75	0.50	11.00	8.00	3.00	6.00	6.87	5/8-18 UNF	7.50	4.00	3.00	6.00
30,000 to 60,000	0.68	1.19	8.43	1.00	0.75	15.00	11.50	5.12	8.00	8.50	1-14 UNS	10.00	6.00	5.12	8.00
100,000 to 150,000	0.81	1.38	10.37	1.25	1.25	18.00	14.00	7.50	10.00	9.50	1-14 UNS	12.00	9.00	7.50	10.00
200,000 to 250,000	1.06	1.88	16.75	2.00	2.00	26.00	20.00	9.00	12.00	13.00	1 1/2-12 UNS	12.00	6.00	9.00	12.00



EZ Mount 1 SS with RL72020SS

Stainless Steel, Weigh Module Kit

LOAD CELLS /
WEIGH MODULES



Complete Kit Includes

- Three or four EZ Mount 1 stainless steel compression mounts with RL72020SS stainless steel double-ended shear beam load cells
- One JB4SS NEMA Type 4X stainless steel signal trim junction box
- 25 ft of hostile environment EL147HE SURVIVOR® load cell cable

Standard Features

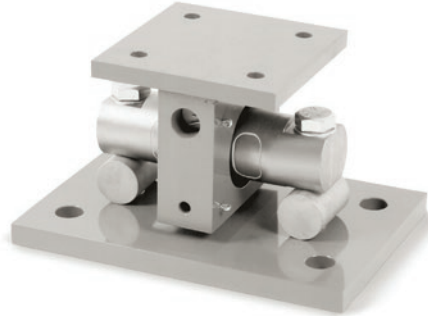
- Capacities (per module): 5,000 to 150,000 lb
- NTEP Certified load cells (except for 5,000 and 150,000 lb modules)
- Stainless steel construction
- Unique sliding pin design compensates for thermal expansion/contraction
- Self-checking
- Easy load cell replacement
- Simplified design allows bolting directly to tank and floor
- Double-ended beam design, center-loaded
- Low-profile design
- Compatible with VPG® Revere 9103 load cell

Picture is a representation of actual product.

Load Cell Approvals



NTEP Excluding
5K and 150K



Order Information

Load Rating (Per Module)	Part #	Price
Single Module (Does NOT Include Load Cell)		
5,000 to 20,000 lb	17943	Consult
30,000 to 60,000 lb	17944	Consult
100,000 lb	17945	Consult
150,000 lb	29011	Consult
3-Module Kit		
5,000 lb*	208914	Consult
10,000 lb	208917	Consult
20,000 lb	208918	Consult
30,000 lb	208919	Consult
40,000 lb	208920	Consult
50,000 lb	208921	Consult
60,000 lb	208922	Consult
100,000 lb	208923	Consult
150,000 lb*	208924	Consult

* Non-NTEP Certified

Load Rating (Per Module)	Part #	Price
4-Module Kit		
5,000 lb*	208925	Consult
10,000 lb	208926	Consult
20,000 lb	208927	Consult
30,000 lb	208928	Consult
40,000 lb	208929	Consult
50,000 lb	208930	Consult
60,000 lb	208931	Consult
100,000 lb	208932	Consult
150,000 lb*	208933	Consult
Dummy Load Cells (Mild Steel)		
5,000 to 20,000 lb	33749	Consult
30,000 to 60,000 lb	74016	Consult
100,000 lb	94175	Consult
150,000 lb	158715	Consult
Grounding Kit		
5,000 to 60,000 lb	126419	Consult

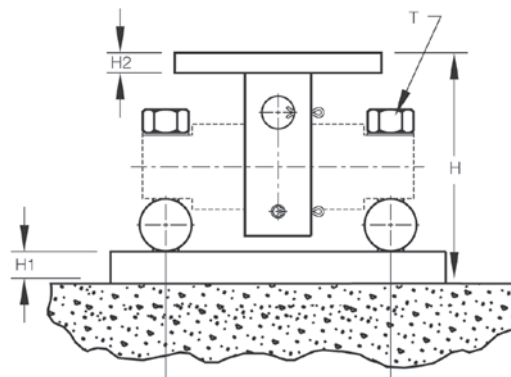
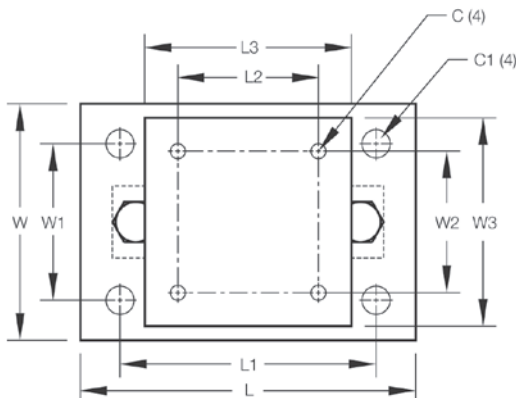
Includes ground strap and mounting hardware per mount

Applications

- Medium- to heavy-capacity tank and hopper weighing applications

Dimensions

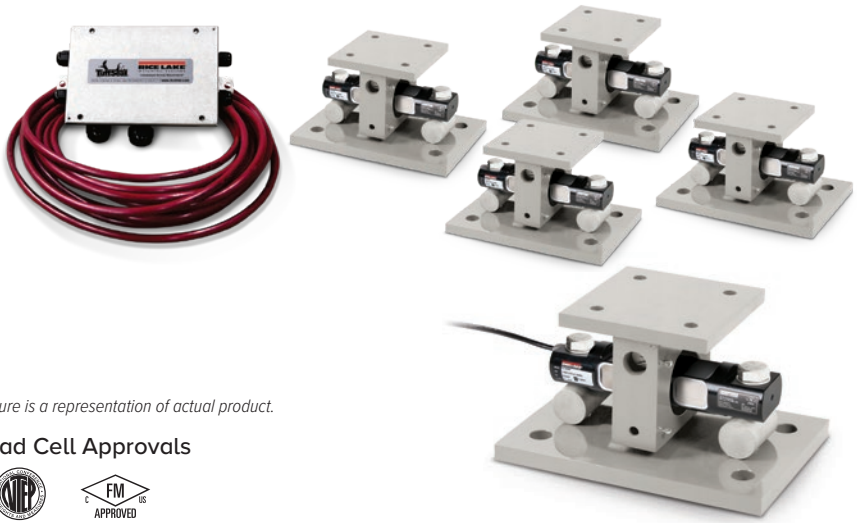
Rated Capacity	C	C1	H	H1	H2	L	L1	L2	L3	L4	T	W	W1	W2	W3
lb/in															
5,000 to 20,000	0.56	1.06	5.31	0.75	0.50	11.00	8.00	3.00	6.00	6.87	5/8-18 UNF	7.50	4.00	3.00	6.00
30,000 to 60,000	0.68	1.19	8.43	1.00	0.75	15.00	11.50	5.12	8.00	8.50	1-14 UNS	10.00	6.00	5.12	8.00
100,000 to 150,000	0.81	1.38	10.37	1.25	1.25	18.00	14.00	7.50	10.00	9.50	1-14 UNS	12.00	9.00	7.50	10.00



EZ Mount 1 with MLC Coated RL72020

Stainless Steel, Weigh Module Kit

LOAD CELLS / WEIGH MODULES



Picture is a representation of actual product.

Load Cell Approvals



Complete Kit Includes

- Three or four EZ Mount 1 stainless steel compression mounts with RL72020 MLC Coated NTEP Certified double-ended shear beam load cells
- One JB4SS NEMA Type 4X stainless steel signal trim junction box
- 25 ft of hostile environment EL147HE SURVIVOR® load cell cable

Standard Features

- Capacities (per module): 5,000 to 150,000 lb
- Unique sliding pin design compensates for thermal expansion/contraction
- Stainless steel construction (mount)
- Self-checking
- Easy load cell replacement
- Simplified design allows bolting directly to tank and floor
- Double-ended design, center-loaded
- Low-profile design

Applications

- Medium- to heavy-capacity tank and fertilizer hopper weighing applications

Order Information

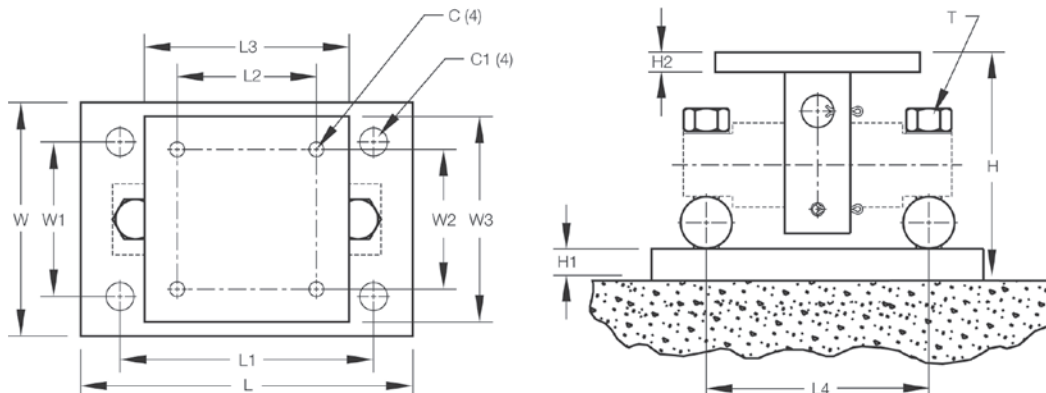
Load Rating (Per Module)	Part #	Price
Single Module (Does NOT Include Load Cell)		
5,000 to 20,000 lb	17943	Consult
30,000 to 60,000 lb	17944	Consult
100,000 lb	17945	Consult
150,000 lb	29011	Consult
3-Module Kit		
5,000 lb	208957	Consult
10,000 lb	208959	Consult
20,000 lb	208961	Consult
30,000 lb	208963	Consult
40,000 lb	208965	Consult
50,000 lb	208967	Consult
60,000 lb	208969	Consult
100,000 lb	208971	Consult
150,000 lb	208973	Consult

Load Rating (Per Module)	Part #	Price
4-Module Kit		
5,000 lb	208958	Consult
10,000 lb	208960	Consult
20,000 lb	208962	Consult
30,000 lb	208964	Consult
40,000 lb	208966	Consult
50,000 lb	208968	Consult
60,000 lb	208970	Consult
100,000 lb	208972	Consult
150,000 lb	208974	Consult
Dummy Load Cells (Mild Steel)		
5,000 to 20,000 lb	33749	Consult
30,000 to 60,000 lb	74016	Consult
100,000 lb	94175	Consult
150,000 lb	158715	Consult
Grounding Kit		
5,000 to 60,000 lb	126419	Consult

Includes ground strap and mounting hardware per mount

Dimensions

Rated Capacity	C	C1	H	H1	H2	L	L1	L2	L3	L4	T	W	W1	W2	W3
5,000 to 20,000	0.56	1.06	5.31	0.75	0.50	11.00	8.00	3.00	6.00	6.87	5/8-18 UNF	7.50	4.00	3.00	6.00
30,000 to 60,000	0.68	1.19	8.43	1.00	0.75	15.00	11.50	5.12	8.00	8.50	1-14 UNS	10.00	6.00	5.12	8.00
100,000 to 150,000	0.81	1.38	10.37	1.25	1.25	18.00	14.00	7.50	10.00	9.50	1-14 UNS	12.00	9.00	7.50	10.00



EZ Mount 1 HE

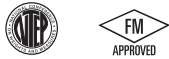
Stainless Steel, Weigh Module Kit

LOAD CELLS /
WEIGH MODULES



Picture is a representation of actual product.

Load Cell Approvals



Order Information

Load Rating (Per Module)	Part #	Price
3-Module Kit		
5,000 lb*	46695	Consult
10,000 lb	46696	Consult
20,000 lb	46697	Consult
30,000 lb	46698	Consult
40,000 lb	46699	Consult
50,000 lb	46700	Consult
60,000 lb	46701	Consult
4-Module Kit		
5,000 lb*	46702	Consult
10,000 lb	46703	Consult
20,000 lb	46704	Consult
30,000 lb	46705	Consult
40,000 lb	46706	Consult
50,000 lb	46707	Consult
60,000 lb	46708	Consult
Dummy Load Cells (Mild Steel)		
5,000 to 20,000 lb	33749	Consult
30,000 to 60,000 lb	74016	Consult
Grounding Kit		
5,000 to 60,000 lb	126419	Consult

Includes ground strap and mounting hardware
*Non-NTEP

Dimensions

Rated Capacity	C	C1	H	H1	H2	L	L1	L2	L3	L4	T	W	W1	W2	W3
5,000 to 20,000 lb/in	0.56	1.06	5.31	0.75	0.50	11.00	8.00	3.00	6.00	6.87	5/8-18 UNF	7.50	4.00	3.00	6.00
30,000 to 60,000	0.68	1.19	8.43	1.00	0.75	15.00	11.50	5.12	8.00	8.50	1-14 UNS	10.00	6.00	5.12	8.00

NOTES: Mounting bolts (T) may project on lower side of base plate. Foundation plate not included

Shims

	Part #	Price
5,000 to 20,000 lb, Stainless Steel		
0.0625 in	150886	Consult
0.125 in	150888	Consult
0.250 in	150889	Consult
30,000 to 60,000 lb, Stainless Steel		
0.0625 in	150890	Consult
0.125 in	150891	Consult
0.250 in	150892	Consult
5,000 to 20,000 lb, Mild Steel		
0.0625 in	150874	Consult
0.125 in	150876	Consult
0.250 in	150877	Consult
30,000 to 60,000 lb, Mild Steel		
0.0625 in	150878	Consult
0.125 in	150880	Consult
0.250 in	150881	Consult

Complete Kit Includes

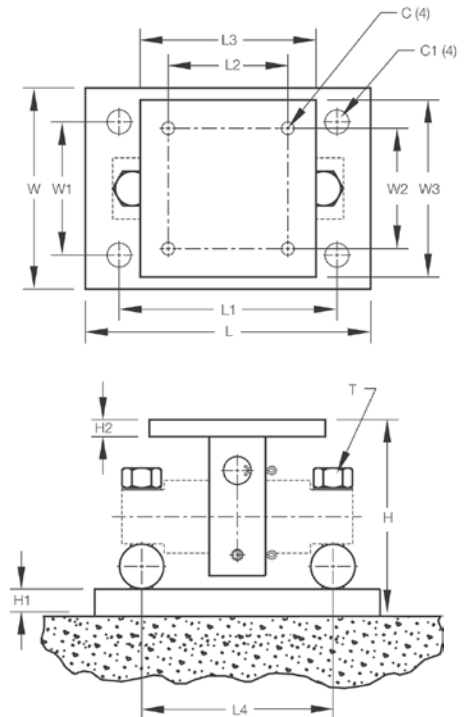
- Three or four EZ Mount 1 stainless steel compression mounts with RL72019SS welded-seal stainless steel double-ended shear beam load cells
- One JB4SS NEMA Type 4X stainless steel signal trim junction box
- 25 ft of hostile environment EL147HE SURVIVOR® load cell cable

Standard Features

- Capacities (per module): 5,000 to 60,000 lb
- NTEP Certified (except 5,000 lb module)
- Stainless steel construction
- Unique sliding pin design compensates for thermal expansion/contraction
- Self-checking
- Easy load cell replacement
- Simplified design allows bolting directly to tank and floor
- Double-ended beam design, center-loaded
- Low-profile design

Applications

- Medium- to heavy-capacity tank and hopper weighing applications



RL1600 Series with RL77032

Cast Iron, Weigh Module Kit



Picture is a representation of actual product.

Order Information

Load Rating (Per Module)	Part #	Price
Single Module (Does NOT Include Load Cell)		
1,000 to 5,000 lb	17964	Consult
10,000 to 25,000 lb	17965	Consult
3-Module Kit		
1,000 lb	228436	Consult
1,500 lb	228439	Consult
2,000 lb	228441	Consult
2,500 lb	228444	Consult
3,000 lb	228446	Consult
5,000 lb	228448	Consult
10,000 lb	228450	Consult
15,000 lb	228452	Consult
20,000 lb	228454	Consult
25,000 lb	228456	Consult
4-Module Kit		
1,000 lb	228438	Consult
1,500 lb	228440	Consult
2,000 lb	228442	Consult
2,500 lb	228445	Consult
3,000 lb	228447	Consult
5,000 lb	228449	Consult
10,000 lb	228451	Consult
15,000 lb	228453	Consult
20,000 lb	228455	Consult
25,000 lb	228457	Consult

Contact factory for load cell upgrade

Dimensions

Rated Capacity	C	H	H1	H2	L	L1	L2	L3	T	W	W1	W2	W3
lb/in													
1,000 to 5,000	0.56	5.00	0.50	0.50	9.31	2.75	4.00	6.25	1/2-13 UNC	5.00	3.75	2.75	4.00
10,000 to 25,000	0.78	7.89	0.75	0.75	12.00	6.00	8.00	7.50	3/4-10 UNC	8.00	6.00	6.00	8.00

VPG Sensortronics 65016 Order Information

Load Rating (Per Module)	Part #	Price
3-Module Kit		
1,000 lb	25685	Consult
1,500 lb	25686	Consult
2,500 lb	25688	Consult
5,000 lb	25690	Consult
10,000 lb	25691	Consult
15,000 lb	25692	Consult
20,000 lb	25693	Consult
25,000 lb	25694	Consult
4-Module Kit		
1,000 lb	25695	Consult
1,500 lb	25696	Consult
2,500 lb	25698	Consult
5,000 lb	25700	Consult
10,000 lb	25701	Consult
15,000 lb	25702	Consult
20,000 lb	25703	Consult
25,000 lb	25704	Consult
Dummy Load Cells		
1,000 to 5,000 lb	18236	Consult
10,000 to 25,000 lb	18237	Consult

Contact factory for load cell upgrade

Complete Kit Includes

- Three or four RL1600 cast iron compression mounts with RL77032 environmentally protected double-ended shear beam load cells
- One JB4SS NEMA Type 4X stainless steel signal trim junction box
- 25 ft of hostile environment EL147HE SURVIVOR® load cell cable

Standard Features

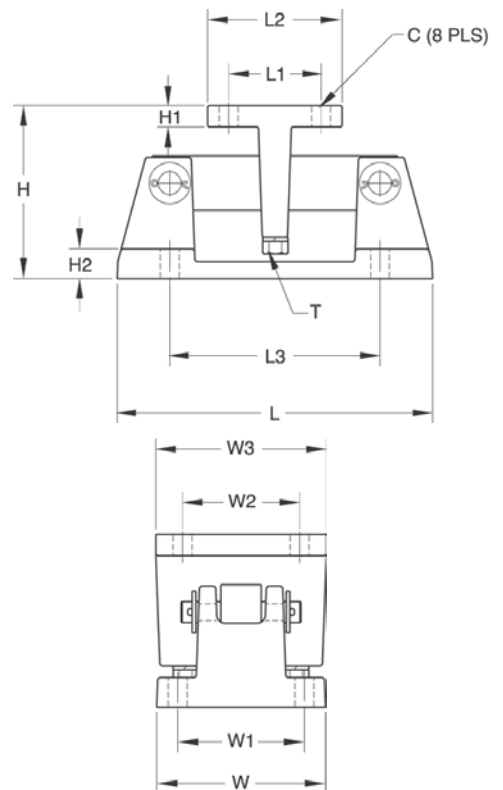
- Capacities (per module): 1,000 to 25,000 lb
- Cast iron construction
- Self-checking, easy-to-use design allows module to be bolted directly to tank leg without requiring additional mounting plates or load buttons
- Double-ended beam design, center loaded
- Compatible with VPG® Sensortronics® 65016 load cells, capacities (per module): 1,000 to 25,000 lb

Applications

- Medium- to heavy-capacity tanks, bins and hoppers
- Bulk material management

Shims, Mild Steel

	Part #	Price
1,000 to 5,000 lb		
0.0625 in	150844	Consult
0.125 in	150845	Consult
0.250 in	150846	Consult
10,000 to 25,000 lb		
0.0625 in	150847	Consult
0.125 in	150848	Consult
0.250 in	150849	Consult

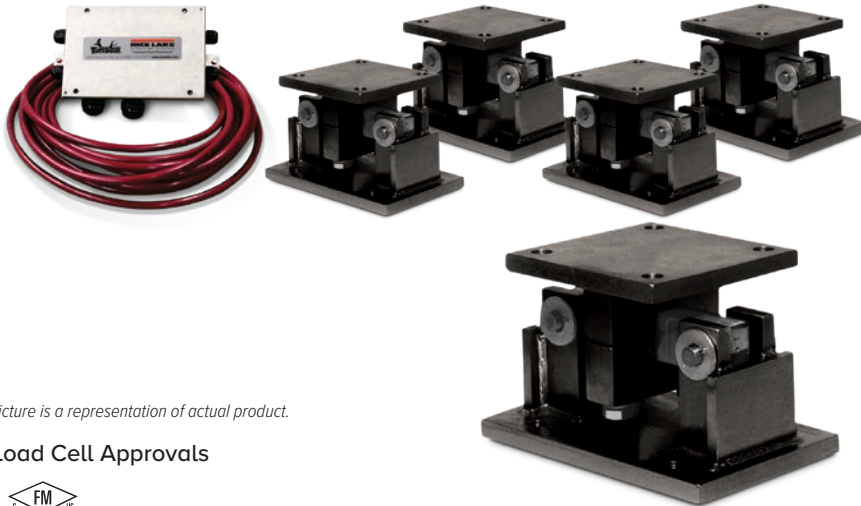


LOAD CELLS / WEIGH MODULES

RL1600 Series with RL77032

Mild Steel, Weigh Module Kit

LOAD CELLS / WEIGH MODULES



Picture is a representation of actual product.

Load Cell Approvals



Order Information

Load Rating (Per Module)	Part #	Price
Single Module (Does NOT Include Load Cell)		
1,000 to 5,000 lb	17812	Consult
10,000 to 25,000 lb	17814	Consult
50,000 lb	17816	Consult
75,000 lb	25346	Consult
3-Module Kit		
1,000 lb	225213	Consult
1,500 lb	225214	Consult
2,000 lb	225215	Consult
2,500 lb	225216	Consult
3,000 lb	225217	Consult
5,000 lb	225218	Consult
10,000 lb	225219	Consult
15,000 lb	225220	Consult
20,000 lb	225221	Consult
25,000 lb	225222	Consult
50,000 lb	225223	Consult
75,000 lb	225224	Consult
4-Module Kit		
1,000 lb	225226	Consult
1,500 lb	225227	Consult
2,000 lb	225229	Consult
2,500 lb	225231	Consult
3,000 lb	225232	Consult
5,000 lb	225233	Consult
10,000 lb	225234	Consult
15,000 lb	225235	Consult
20,000 lb	225236	Consult
25,000 lb	225237	Consult
50,000 lb	225238	Consult
75,000 lb	225239	Consult

Dimensions

Rated Capacity	C	H	H1	H2	L	L1	L2	L3	T	W	W1	W2	W3
lb/in													
1,000 to 5,000	0.56	5.00	0.50	0.50	9.25	2.75	4.00	6.25	1/2-13 UNC	5.00	3.75	2.75	4.00
10,000 to 25,000	0.78	7.87	0.75	0.75	12.00	6.00	8.00	7.50	3/4-10 UNC	8.00	6.00	6.00	8.00
50,000 to 75,000	0.78	9.25	1.00	1.00	16.25	6.50	9.00	11.50	1 1/4-7 UNC	12.00	9.50	6.50	9.00

VPG Scentroidrics 65016 Order Information

Load Rating (Per Module)	Part #	Price
3-Module Kit		
1,000 lb	18189	Consult
1,500 lb	18190	Consult
2,500 lb	18192	Consult
5,000 lb	18194	Consult
10,000 lb	18195	Consult
15,000 lb	18196	Consult
20,000 lb	18197	Consult
25,000 lb	18198	Consult
50,000 lb	18199	Consult
75,000 lb	25350	Consult
4-Module Kit		
1,000 lb	18201	Consult
1,500 lb	18202	Consult
2,500 lb	18204	Consult
5,000 lb	18206	Consult
10,000 lb	18207	Consult
15,000 lb	18208	Consult
20,000 lb	18209	Consult
25,000 lb	18210	Consult
50,000 lb	18211	Consult
75,000 lb	25351	Consult
Dummy Load Cells		
1,000 to 5,000 lb	18236	Consult
10,000 to 25,000 lb	18237	Consult
50,000 lb	18238	Consult

Complete Kit Includes

- Three or four RL1600 mild steel compression mounts with RL77032 environmentally protected double-ended shear beam load cells
- One JB4SS NEMA Type 4X stainless steel signal trim junction box
- 25 ft of hostile environment EL147HE SURVIVOR® load cell cable

Standard Features

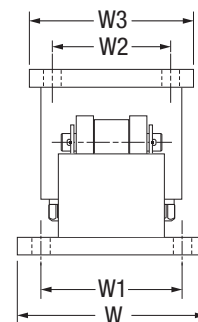
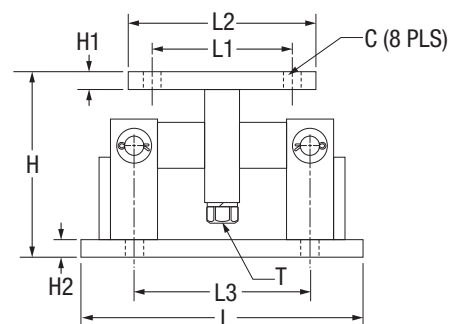
- Capacities (per module): 1,000 to 75,000 lb
- Coated mild steel construction
- Self-checking, easy-to-use design allows module to be bolted directly to tank leg without requiring additional mounting plates or load buttons
- Double-ended shear beam design, center loaded
- Compatible with VPG® Scentroidrics® 65016 load cells

Applications

- Medium- to heavy-capacity tanks, bins and hoppers
- Bulk material management

Shims, Mild Steel

	Part #	Price
1,000 to 5,000 lb		
0.0625 in	150844	Consult
0.125 in	150845	Consult
0.250 in	150846	Consult
10,000 to 25,000 lb		
0.0625 in	150847	Consult
0.125 in	150848	Consult
0.250 in	150849	Consult
50,000 to 75,000 lb		
0.0625 in	150850	Consult
0.125 in	150851	Consult
0.250 in	150866	Consult



Limited Stock Available

RL1600 Series with RL75016SS

Stainless Steel, Weigh Module Kit

LOAD CELLS / WEIGH MODULES



Picture is a representation of actual product.

Load Cell Approvals



VPG Sensortronics 65016W Order Information

Load Rating (Per Module)	Part #	Price
3-Module Kit		
1,000 lb	18213	Consult
1,500 lb	18214	Consult
2,500 lb	18216	Consult
5,000 lb	18217	Consult
10,000 lb	18218	Consult
15,000 lb	18219	Consult
20,000 lb	18220	Consult
25,000 lb	18221	Consult
50,000 lb	18222	Consult
75,000 lb	25354	Consult
4-Module Kit		
1,000 lb	18224	Consult
1,500 lb	18225	Consult
2,500 lb	18227	Consult
5,000 lb	18228	Consult
10,000 lb	18229	Consult
15,000 lb	18230	Consult
20,000 lb	18231	Consult
25,000 lb	18232	Consult
50,000 lb	18233	Consult
75,000 lb	25355	Consult
Dummy Load Cells (Mild Steel)		
1,000 to 5,000 lb	18236	Consult
10,000 to 25,000 lb	18237	Consult
50,000 lb	18238	Consult

Complete Kit Includes

- Three or four RL1600 stainless steel compression mounts with RL75016SS environmentally protected stainless steel double-ended shear beam load cells
- One JB4SS NEMA Type 4X stainless steel signal trim junction box
- 25 ft of hostile environment EL147HE SURVIVOR® load cell cable

Standard Features

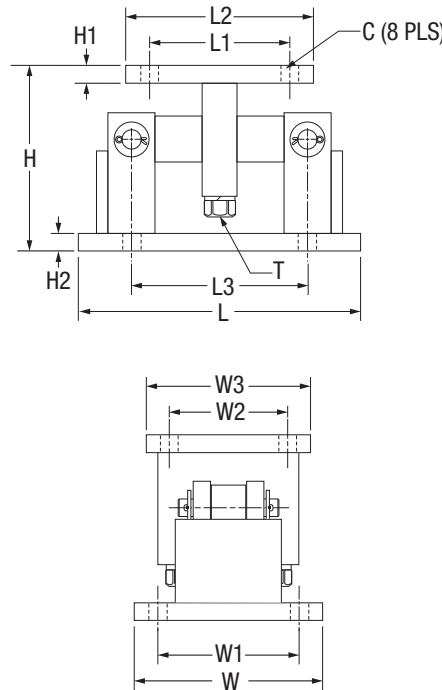
- Capacities (per module): 1,000 to 75,000 lb
- Stainless steel construction
- Self-checking, easy-to-use design allows module to be bolted directly to tank leg without requiring additional mounting plates or load buttons
- Double-ended shear beam design, center loaded
- Compatible with VPG® Sensortronics® 65016W SS load cells

Applications

- Medium- to heavy-capacity tanks, bins and hoppers
- Bulk material management

Shims, Stainless

	Part #	Price
1,000 to 5,000 lb		
0.0625 in	150852	Consult
0.125 in	150853	Consult
0.250 in	150854	Consult
10,000 to 25,000 lb		
0.0625 in	150855	Consult
0.125 in	150856	Consult
0.250 in	150857	Consult
50,000 to 75,000 lb		
0.0625 in	150858	Consult
0.125 in	150859	Consult
0.250 in	150861	Consult



Dimensions

Rated Capacity	C	H	H1	H2	L	L1	L2	L3	T	W	W1	W2	W3
lb/in													
1,000 to 5,000	0.56	5.00	0.50	0.50	9.25	2.75	4.00	6.25	1/2-13 UNC	5.00	3.75	2.75	4.00
10,000 to 25,000	0.78	7.87	0.75	0.75	12.00	6.00	8.00	7.50	3/4-10 UNC	8.00	6.00	6.00	8.00
50,000 to 75,000	0.78	9.25	1.00	1.00	16.25	6.50	9.00	11.50	1 1/4-7 UNC	12.00	9.50	6.50	9.00

RL1600 SS Series with RL77032SS

Stainless Steel, Weigh Module Kit

LOAD CELLS /
WEIGH MODULES



Picture is a representation of actual product.

Load Cell Approvals



Order Information

Load Rating (Per Module)	Part #	Price
Single Module (Does NOT Include Load Cell)		
1,000 to 5,000 lb	17813	Consult
10,000 to 25,000 lb	17815	Consult
50,000 lb	17842	Consult
75,000 lb	25347	Consult
3-Module Kit		
1,000 lb	225333	Consult
1,500 lb	225334	Consult
2,000 lb	225335	Consult
2,500 lb	225336	Consult
5,000 lb	225337	Consult
10,000 lb	225338	Consult
15,000 lb	225340	Consult
20,000 lb	225341	Consult
25,000 lb	225342	Consult
50,000 lb	225343	Consult
75,000 lb	225344	Consult
4-Module Kit		
1,000 lb	225347	Consult
1,500 lb	225349	Consult
2,000 lb	225350	Consult
2,500 lb	225351	Consult
5,000 lb	225352	Consult
10,000 lb	225353	Consult
15,000 lb	225354	Consult
20,000 lb	225355	Consult
25,000 lb	225356	Consult
50,000 lb	225357	Consult
75,000 lb	225358	Consult

Dimensions

Rated Capacity	C	H	H1	H2	L	L1	L2	L3	T	W	W1	W2	W3
1,000 to 5,000 lb/in	0.56	5.00	0.50	0.50	9.25	2.75	4.00	6.25	1/2-13 UNC	5.00	3.75	2.75	4.00
10,000 to 25,000 lb/in	0.78	7.87	0.75	0.75	12.00	6.00	8.00	7.50	3/4-10 UNC	8.00	6.00	6.00	8.00
50,000 to 75,000 lb/in	0.78	9.25	1.00	1.00	16.25	6.50	9.00	11.50	1 1/4-7 UNC	12.00	9.50	6.50	9.00

VPG Sensortronics 65016W Order Information

Load Rating (Per Module)	Part #	Price
3-Module Kit		
1,000 lb	18213	Consult
1,500 lb	18214	Consult
2,500 lb	18216	Consult
5,000 lb	18217	Consult
10,000 lb	18218	Consult
15,000 lb	18219	Consult
20,000 lb	18220	Consult
25,000 lb	18221	Consult
50,000 lb	18222	Consult
75,000 lb	25354	Consult
4-Module Kit		
1,000 lb	18224	Consult
1,500 lb	18225	Consult
2,500 lb	18227	Consult
5,000 lb	18228	Consult
10,000 lb	18229	Consult
15,000 lb	18230	Consult
20,000 lb	18231	Consult
25,000 lb	18232	Consult
50,000 lb	18233	Consult
75,000 lb	25355	Consult
Dummy Load Cells (Mild Steel)		
1,000 to 5,000 lb	18236	Consult
10,000 to 25,000 lb	18237	Consult
50,000 lb	18238	Consult

Complete Kit Includes

- Three or four RL1600 stainless steel compression mounts with RL77032SS environmentally protected stainless steel double-ended shear beam load cells
- One JB4SS NEMA Type 4X stainless steel signal trim junction box
- 25 ft of hostile environment EL147HE SURVIVOR® load cell cable

Standard Features

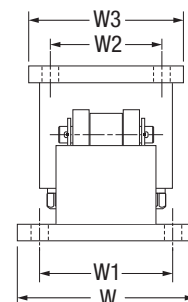
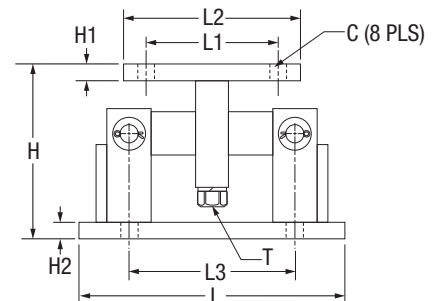
- Capacities (per module): 1,000 to 75,000 lb
- Stainless steel construction
- Self-checking, easy-to-use design allows module to be bolted directly to tank leg without requiring additional mounting plates or load buttons
- Double-ended shear beam design, center loaded
- Compatible with VPG® Sensortronics® 65016W SS load cells

Applications

- Medium- to heavy-capacity tanks, bins and hoppers
- Bulk material management

Shims, Stainless

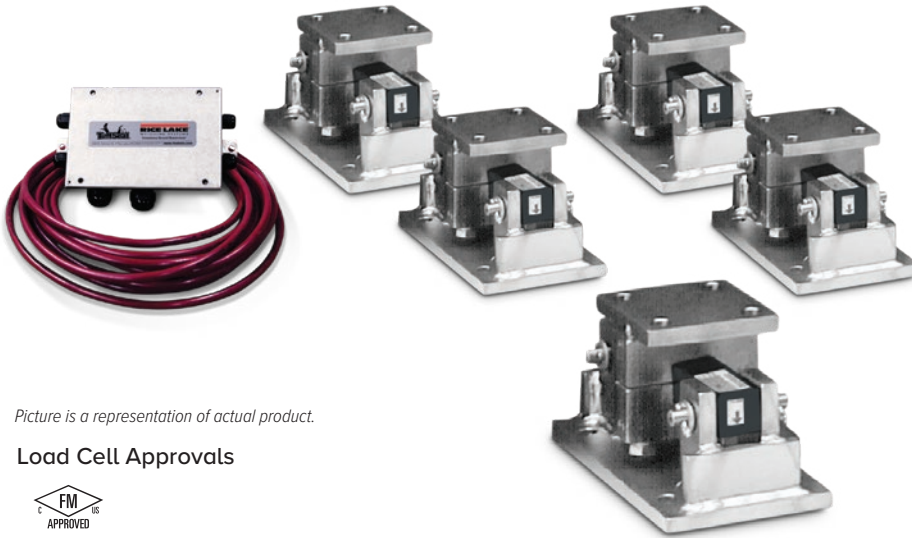
	Part #	Price
1,000 to 5,000 lb		
0.0625 in	150852	Consult
0.125 in	150853	Consult
0.250 in	150854	Consult
10,000 to 25,000 lb		
0.0625 in	150855	Consult
0.125 in	150856	Consult
0.250 in	150857	Consult
50,000 to 75,000 lb		
0.0625 in	150858	Consult
0.125 in	150859	Consult
0.250 in	150861	Consult



RL1600 Series with MLC Coated RL75016

Stainless Steel, Weigh Module Kit

LOAD CELLS / WEIGH MODULES



Picture is a representation of actual product.

Load Cell Approvals



Order Information

Load Rating (Per Module)	Part #	Price
Single Module (Does NOT Include Load Cell)		
1,000 to 5,000 lb	17813	Consult
10,000 to 25,000 lb	17815	Consult
50,000 lb	17842	Consult
75,000 lb	25347	Consult
3-Module Kit		
1,000 lb	199023	Consult
1,500 lb	199025	Consult
2,000 lb	199027	Consult
2,500 lb	199029	Consult
3,000 lb	199031	Consult
5,000 lb	199033	Consult
10,000 lb	199035	Consult
15,000 lb	199037	Consult
20,000 lb	199038	Consult
25,000 lb	199040	Consult
50,000 lb	199042	Consult
75,000 lb	199044	Consult
4-Module Kit		
1,000 lb	199024	Consult
1,500 lb	199026	Consult
2,000 lb	199028	Consult
2,500 lb	199030	Consult
3,000 lb	199032	Consult
5,000 lb	199034	Consult
10,000 lb	199036	Consult
15,000 lb	199056	Consult
20,000 lb	199039	Consult
25,000 lb	199041	Consult
50,000 lb	199043	Consult
75,000 lb	199045	Consult

Dimensions

Rated Capacity	C	H	H1	H2	L	L1	L2	L3	T	W	W1	W2	W3
1,000 to 5,000	0.56	5.00	0.50	0.50	9.25	2.75	4.00	6.25	1/2-13 UNC	5.00	3.75	2.75	4.00
10,000 to 25,000	0.78	7.87	0.75	0.75	12.00	6.00	8.00	7.50	3/4-10 UNC	8.00	6.00	6.00	8.00
50,000 to 75,000	0.78	9.25	1.00	1.00	16.25	6.50	9.00	11.50	1 1/4-7 UNC	12.00	9.50	6.50	9.00

Complete Kit Includes

- Three or four RL1600 stainless steel compression mounts with MLC Coated RL75016 alloy steel, environmentally sealed, double ended shear beam load cells
- One JB4SS NEMA Type 4X stainless steel signal trim junction box
- 25 ft of hostile environment EL147HE SURVIVOR® load cell cable

Standard Features

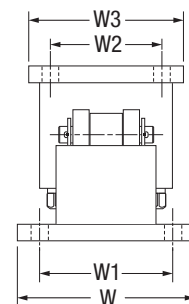
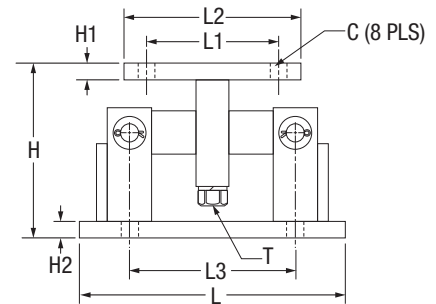
- Capacities (per module): 1,000 to 75,000 lb
- Stainless steel construction (mounts)
- Self-checking, easy-to-use design allows module to be bolted directly to tank leg without requiring additional mounting plates or load buttons
- Double-ended shear beam design, center loaded

Applications

- Medium-to heavy-capacity tanks, bins, and hoppers
- Bulk material management

Shims, Stainless

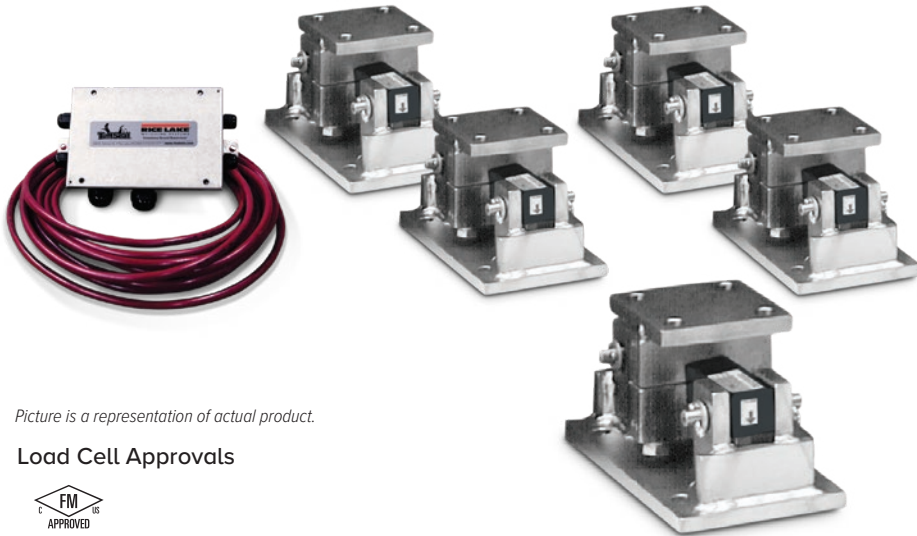
	Part #	Price
1,000 to 5,000 lb		
0.0625 in	150852	Consult
0.125 in	150853	Consult
0.250 in	150854	Consult
10,000 to 25,000 lb		
0.0625 in	150855	Consult
0.125 in	150856	Consult
0.250 in	150857	Consult
50,000 to 75,000 lb		
0.0625 in	150858	Consult
0.125 in	150859	Consult
0.250 in	150861	Consult



RL1600 HE Series with RL77032SS HE

Stainless Steel, Weigh Module Kit

LOAD CELLS /
WEIGH MODULES



Picture is a representation of actual product.

Load Cell Approvals



Order Information

Load Rating (Per Module)	Part #	Price
Single Module (Does NOT Include Load Cell)		
1,000 to 5,000 lb	17813	Consult
10,000 to 25,000 lb	17815	Consult
50,000 lb	17842	Consult
75,000 lb	25347	Consult
3-Module Kit		
1,000 lb	225359	Consult
1,500 lb	225360	Consult
2,000 lb	225361	Consult
2,500 lb	225362	Consult
5,000 lb	225363	Consult
10,000 lb	225364	Consult
15,000 lb	225365	Consult
20,000 lb	225366	Consult
25,000 lb	225367	Consult
50,000 lb	225368	Consult
75,000 lb	225369	Consult
4-Module Kit		
1,000 lb	225370	Consult
1,500 lb	225371	Consult
2,000 lb	225372	Consult
2,500 lb	225373	Consult
5,000 lb	225374	Consult
10,000 lb	225375	Consult
15,000 lb	225376	Consult
20,000 lb	225377	Consult
25,000 lb	225378	Consult
50,000 lb	225379	Consult
75,000 lb	225380	Consult
Dummy Load Cell		
1,000 to 5,000 lb	18236	Consult
10,000 to 25,000 lb	18237	Consult

Dimensions

Rated Capacity	C	H	H1	H2	L	L1	L2	L3	T	W	W1	W2	W3
1,000 to 5,000	0.56	5.00	0.50	0.50	9.25	2.75	4.00	6.25	1/2-13 UNC	5.00	3.75	2.75	4.00
10,000 to 25,000	0.78	7.87	0.75	0.75	12.00	6.00	8.00	7.50	3/4-10 UNC	8.00	6.00	6.00	8.00
50,000 to 75,000	0.78	9.25	1.00	1.00	16.25	6.50	9.00	11.50	1 1/4-7 UNC	12.00	9.50	6.50	9.00

Complete Kit Includes

- Three or four RL1600 HE stainless steel compression mounts with RL77032SS HE stainless steel, hermetically sealed, double-ended shear beam load cells
- One JB4SS NEMA Type 4X stainless steel signal trim junction box
- 25 ft of hostile environment EL147HE SURVIVOR load cell cable

Standard Features

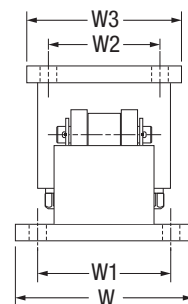
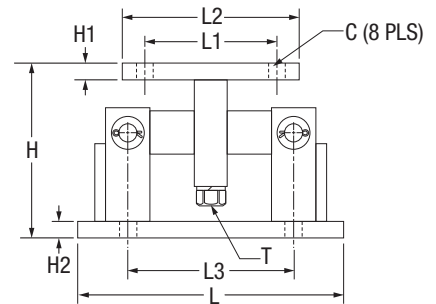
- Stainless steel construction
- Self-checking, easy-to-use design allows module to be bolted directly to tank leg without requiring additional mounting plates or load buttons
- Center loaded

Applications

- Medium-capacity tanks, bins and hoppers
- Bulk material management
- Ingredient batching, mixing and blending

Shims, Stainless

	Part #	Price
1,000 to 5,000 lb		
0.0625 in	150852	Consult
0.125 in	150853	Consult
0.250 in	150854	Consult
10,000 to 25,000 lb		
0.0625 in	150855	Consult
0.125 in	150856	Consult
0.250 in	150857	Consult
50,000 to 75,000 lb		
0.0625 in	150858	Consult
0.125 in	150859	Consult
0.250 in	150861	Consult



MVS Mount/MVS

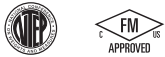
Mild Steel, Weigh Module Conversion Kit

LOAD CELLS /
WEIGH MODULES



Picture is a representation of actual product.

Load Cell Approvals



Order Information

Load Rating (Per Module)	Part #	Price
MVS Mount (Does NOT Include Load Cell)		
10,000 to 25,000 lb	71200	Consult
50,000 to 75,000 lb	46441	Consult
100,000 to 125,000 lb	68520	Consult
MVS Conversion Kits (Includes 75,000 lb* Load Cells, Mounts and Junction Box)		
4-module kit	68495	Consult
6-module kit	68496	Consult
8-module kit	68497	Consult
10-module kit	68498	Consult
Dummy Load Cell		
50,000 to 75,000 lb	169388	Consult
100,000 to 125,000 lb	159696	Consult

Custom heights available; Consult
*Consult for other capacity requirements

Complete Kit Includes

- Four to ten MVS mild steel mounts with RL75058-LP 75,000 lb NTEP Certified alloy steel environmentally sealed double-ended beam load cells
- One JB8SPT NEMA 4 Type signal trim junction box (JB1010 on 10 module kit)
- 100 ft of hostile environment EL147HE SURVIVOR® load cell cable

Standard Features

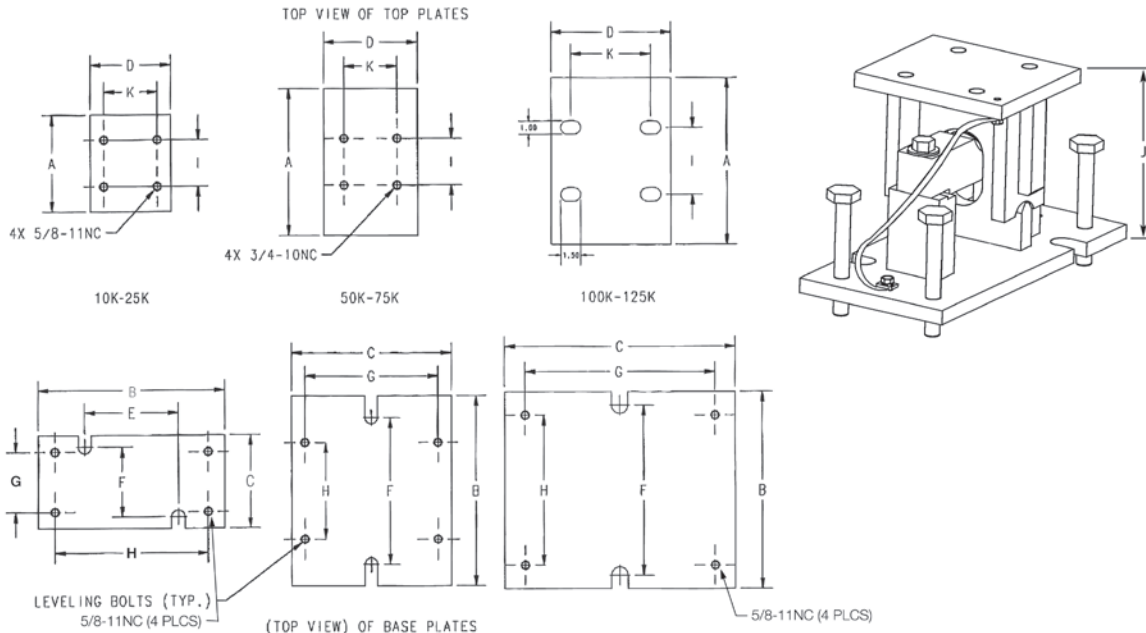
- Capacity (per module): 10,000 to 125,000 lb
- Mild steel construction
- Specially hardened center link
- Self-checking design
- Self-centering design
- Accommodates thermal expansion and contraction
- Compatible with VPG® Sensortronics® 65058 or VPG® Celtron® CLB

Applications

- Truck scale conversion
- Heavy-capacity horizontal tanks

Dimensions

Rated Capacity	A	B	C	D	E	F	G	H	I	J	K
10,000 to 25,000	7.25	14.00	7.00	6.00	7.00	5.25	4.50	11.50	3.50	8.50	4.00
50,000 to 75,000	11.00	14.25	12.00	7.00	—	11.00	10.00	7.25	3.50	11.53	4.00
100,000 to 125,000	12.50	14.75	17.25	9.00	—	12.75	14.25	11.25	5.00	14.21	6.00



Translink™ Parallel Link

Painted Mild Steel, Truck Scale Assembly

LOAD CELLS /
WEIGH MODULES



Mount only; does not include load cell.
Picture is a representation of actual product.

Standard Features

- Capacities (per module): 25,000 to 100,000 lb
- Painted mild steel construction
- Center-supported, end-loaded double-ended shear beam design
- Free movement in all directions in the horizontal plane with virtually no friction
- Links provide optimal loading conditions for the cell
- Self-centering
- Requires no check rods
- Utilizes cells with 3 mV/V output
- Compatible with Rice Lake RL75223 and RL75040, VPG® Revere 5223 and VPG® Sensortronics® 65040A load cells

Order Information

Load Rating (Per Module)	Part #	Price
For Use With RL75223, 5223 Load Cells		
50,000 to 100,000 lb	17970	Consult
For Use With RL75040, 65040A Load Cells		
25,000 to 40,000 lb	17971	Consult
50,000 to 75,000 lb	17972	Consult

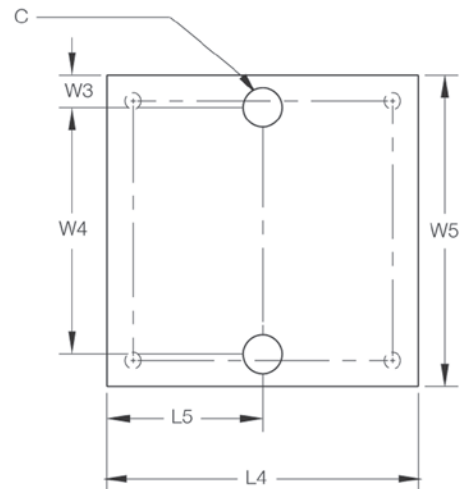
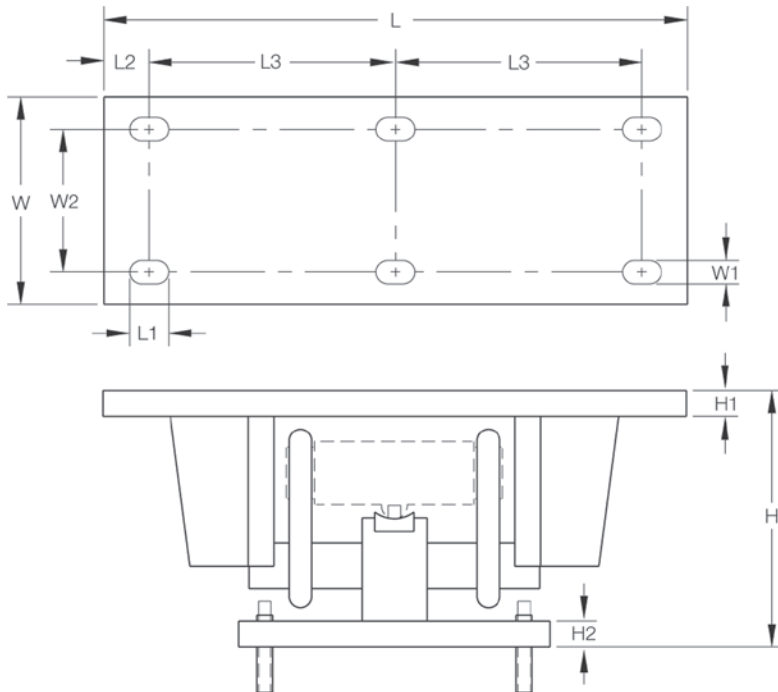
Mount only; does not include load cell

Applications

- Truck scale mount
- Heavy-capacity horizontal tanks

Dimensions

Rated Capacity	C	H	H1	H2	L	L1	L2	L3	L4	L5	W	W1	W2	W3	W4	W5
lb/in																
50,000 to 100,000 (RL75223, 5223)	1.50	12.93	1.00	1.00	22.50	1.50	1.75	9.50	11.75	5.88	7.75	0.91	5.25	1.25	9.25	11.75
25,000 to 40,000 (RL75040, 65040A)	1.50	9.88	1.00	1.00	18.50	1.50	1.75	7.50	11.75	5.88	7.75	0.91	5.25	1.25	9.25	11.75
50,000 to 75,000 (RL75040, 65040A)	1.50	12.82	1.00	1.00	22.50	1.50	1.75	9.50	11.75	5.88	7.75	0.91	5.25	1.25	9.25	11.75



Motor Truck Scale

Electronic Weigh Module Conversion Kit

LOAD CELLS / WEIGH MODULES



Picture is a representation of actual product.

Load Cell Approvals



Order Information

Load Cell Capacity (Per Module)	Part #	Load Cell Used In Kit	Price
4-Module Kit			
25,000 lb	30513	RL75040	Consult
40,000 lb	30514	RL75040	Consult
6-Module Kit			
50,000 lb	30515	RL75040	Consult
60,000 lb	30516	RL75040	Consult
8-Module Kit			
60,000 lb	30517	RL75040	Consult
75,000 lb	30518	RL75040	Consult
100,000 lb	30512	RL75223	Consult

SD refers to super duty, 100,000 lb capacity welded-seal load cells

Dimensions

Rated Capacity	C	H*	H1	H2	L	L1	L2	L3	L4	L5	W	W1	W2	W3	W4**	W5
lb/in																
50,000 to 100,000 (RL75223)	1.50	12.93	1.00	1.00	22.50	1.50	1.75	9.50	11.75	5.88	7.75	0.91	5.25	1.25	9.25	11.75
25,000 to 40,000 (RL75040)	1.50	9.88	1.00	1.00	18.50	1.50	1.75	7.50	11.75	5.88	7.75	0.91	5.25	1.25	9.25	11.75
50,000 to 75,000 (RL75040)	1.50	12.82	1.00	1.00	22.50	1.50	1.75	9.50	11.75	5.88	7.75	0.91	5.25	1.25	9.25	11.75

*Custom heights available; consult

Complete Kit Includes

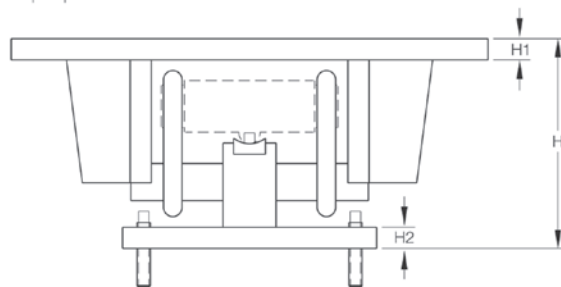
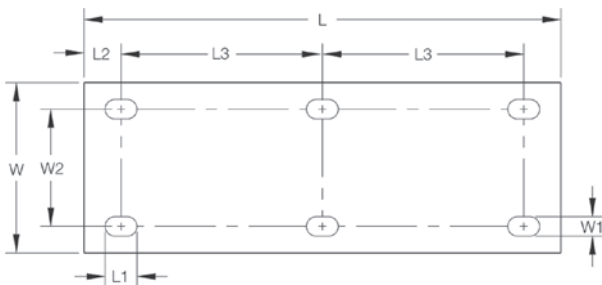
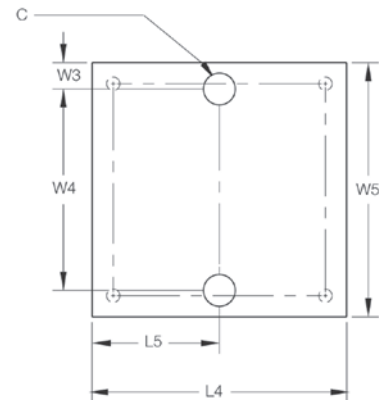
- Four, six or eight Translink™ mounting assemblies with NTEP Certified RL75040 or RL75223 welded-seal load cells
- One JB8SP NEMA Type 4X signal-trim junction box with individual and section trimming capability (six- and eight-mount kits) or one JB4SP NEMA Type 4X signal-trim junction box (four-mount kits)
- One UJB3T6 DC transient protector
- 100 ft of hostile environment EL147HE SURVIVOR® load cell cable

Standard Features

- Capacity (per module): 25,000 to 100,000 lb
- Cost and time efficient installation; no need to remove weighbridge
- Converts existing scale capacities of 40,000 to 300,000 lb
- Four, six or eight-mount kits for two, three or four section conversions
- Translink heavy-capacity mounting assemblies
- Free movement in all directions in the horizontal plane with virtually no friction
- Completely self-centering
- Requires no check rods
- Compatible with VPG® Sensortronics® 65040A or VPG® Revere 5223 load cells

Applications

- Updating existing mechanical motor truck scales
- Replacing unsatisfactory electronic motor truck scales
- Conversion of heavy-capacity scales into fully electronic vehicle scales where the existing scale cannot be removed

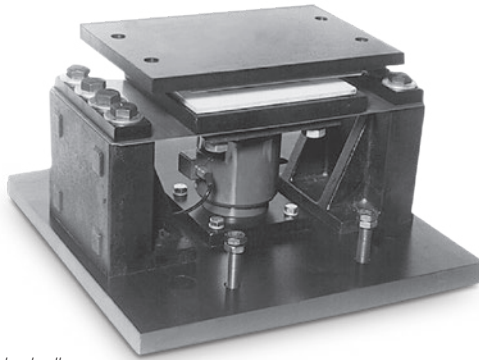


MagnaMount™

Mount Assembly

Limited Stock Available

LOAD CELLS /
WEIGH MODULES



Mount only; does not include load cell.
Picture is a representation of actual product.

Standard Features

- Capacities (per module): 50,000 lb, 100,000 lb and 200,000 lb
- Protects load cell from shock and side loads
- Low-profile design
- High-capacity and rugged load-bearing plate made of high-grade carbon steel hardened to Rockwell C 48-54
- PTFE coated shock-absorbing pads
- Compatible with VPG® Revere CP and CSP, and Rice Lake RLCSP1 NTEP Certified load cells

Applications

- Truck scale mount*
- Heavy-capacity horizontal tanks*
- Railroad track mount*

*Check rods required

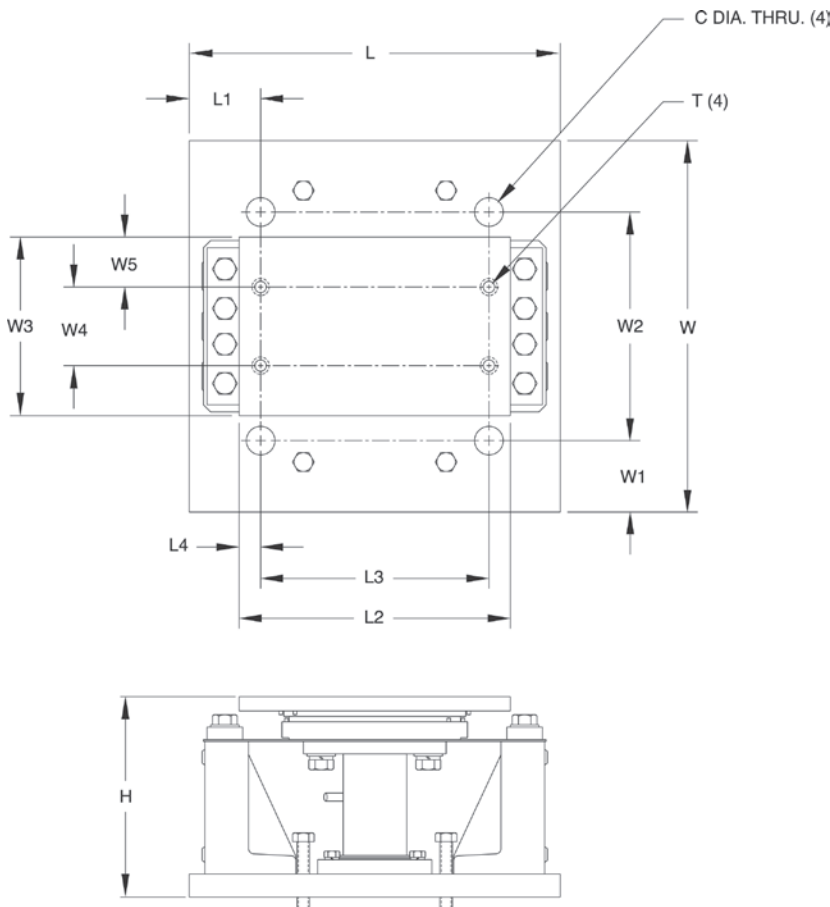
Order Information

Load Rating (Per Module)	Part #	Price
50,000 lb	21723	Consult
100,000 lb	21724	Consult
200,000 lb	17974	Consult

Mount only; does not include load cell

Dimensions

Rated Capacity	C	H	L	L1	L2	L3	L4	T	W	W1	W2	W3	W4	W5
lb/in														
50,000	1.25	7.39	13.00	1.75	11.25	8.50	1.37	3/4-10 UNC	12.00	1.75	8.50	8.00	4.50	1.75
100,000	1.50	11.29	20.00	2.25	18.00	15.50	1.25	7/8-9 UNC	17.00	2.50	12.00	9.00	5.50	1.75
200,000	2.00	14.10	26.00	5.00	19.00	16.00	1.50	1-8 UNC	26.00	5.00	16.00	12.50	5.50	3.50



Mettler Toledo® DigiTOL® Retrofit Kit

Stainless Steel, Rice Lake Weighing Systems/Flintec

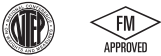
LOAD CELLS /
WEIGH MODULES

RC1 Load Cells



Shown here with the JB8SP signal trim junction box.
Picture is a representation of actual product.

Load Cell Approvals



DigiTOL Retrofit Order information

Description	Part #	Price
8 mount kit, RC1-25 t (250kN) load cells, JB8SP junction box	78713	Consult
8 mount kit, RC1-25 t (250 kN) load cells, JB8SPT junction box	224897	Consult
10 mount kit, RC1-25 t (250 kN) load cells, two JB8SP junction boxes	78714	Consult
10 mount kit RC1-25 t (250 kN) load cells, two JB8SPT junction boxes	224898	Consult
12 mount kit, RC1-25 t (250kN) load cells, three JB8SP junction boxes	152774	Consult
12 mount kit RC1-25 t (250 kN) load cells, two JB8SPT junction boxes	224899	Consult

Complete Kit Includes

- Eight, ten or twelve Flintec® NTEP Certified stainless steel, hermetically sealed rocker column load cells
- Upper and lower cups
- NEMA Type 4X signal trim junction boxes with transient protection
- 100 ft of hostile environment EL147HE SURVIVOR® load cell cable
- Grounding straps (JB8SPT kits only)

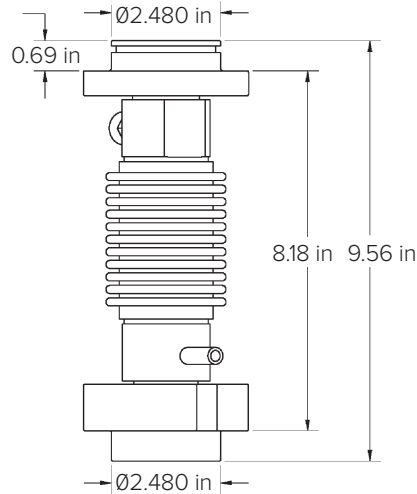
Standard Features

- Load cells are NTEP Certified 1:10,000 divisions, Class III*
- Converts existing Mettler Toledo DigiTOL scale to an analog-based load cell weighing system
- One-year limited warranty

*Consult your local Weights & Measures Authorities for local Legal for Trade requirements

Applications

- Mettler Toledo DigiTOL truck scale conversion



RC1-25 t

Mettler Toledo® DigiTOL® Retrofit Kit

Stainless Steel, Rice Lake Weighing Systems/Flintec

LOAD CELLS /
WEIGH MODULES

RC3 Load Cells



Shown here with the JB8SP signal trim junction box
Picture is a representation of actual product

Load Cell Approvals



DigiTOL Retrofit Order information

Description	Part #	Price
8 mount kit RC3-50 t load cells, two EL304A junction boxes (truck/truck combo)	129844	Consult
8 mount kit RC3-50 t load cells, two EL304A junction boxes (truck only)	154347	Consult
8 mount kit RC3-50 t load cells, one JB8SPT junction boxes (truck/truck combo)	224900	Consult
8 mount kit RC3-50 t load cells, one JB8SPT junction boxes (truck only)	224901	Consult
10 mount kit RC3-50 t load cells, two JB8SP junction boxes (truck/truck combo)	111367	Consult
10 mount kit RC3-50 t load cells, three EL304A junction boxes (truck only)	154348	Consult
10 mount kit RC3-50 t load cells, two JB8SPT junction boxes (truck/truck combo)	224902	Consult
10 mount kit RC3-50 t load cells, two JB8SPT junction boxes (truck only)	224903	Consult
12 mount kit RC3-50 t load cells, three EL304A junction boxes (truck only)	154349	Consult
12 mount kit RC3-50 t load cells, two JB8SPT junction boxes (truck only)	224904	Consult

Complete Kit Includes

- Eight, ten or twelve Flintec® NTEP Certified stainless steel, hermetically sealed rocker column load cells
- Upper and lower cups
- NEMA Type 4X signal trim junction boxes with transient protection
- 100 ft of hostile environment EL147HE SURVIVOR® load cell cable
- Grounding straps (JB8SPT kits only)

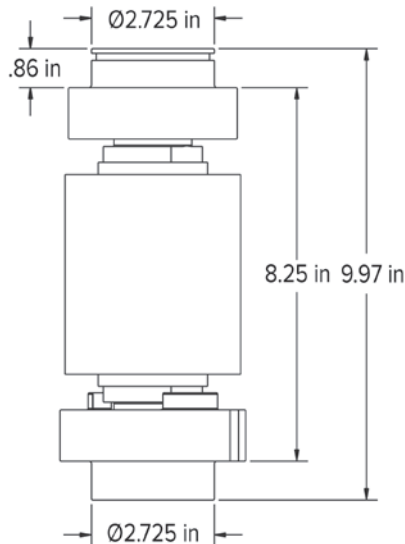
Standard Features

- Load cells are NTEP Certified 1:10,000 divisions, Class IIII*
- Converts existing Mettler Toledo DigiTOL scale to an analog-based load cell weighing system
- One-year limited warranty

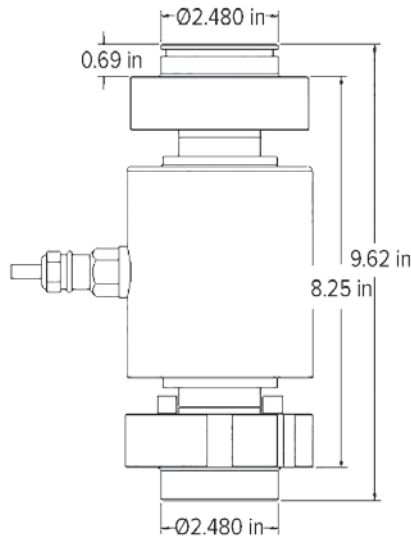
*Consult your local Weights & Measures Authorities for local Legal for Trade requirements

Applications

- Mettler Toledo DigiTOL truck scale conversion



RC3-50 t
TRACK



RC3-50 t
TRUCK

Rice Lake Analog Retrofit Kit

Stainless Steel, Analog Load Cells for Mettler Toledo PDX Digital Conversion to Analog

LOAD CELLS /
WEIGH MODULES



RL82025-50t Load Cells



Picture is a representation of actual product.

Load Cell Approvals



Load Cups

Complete Kit Includes

- Eight or ten Rice Lake NTEP Certified stainless steel, hermetically sealed, rocker column load cells
- Upper and lower cups
- Grounding straps
- NEMA Type 4X signal trim junction boxes with transient protection
- 100 ft of hostile environment EL147HE SURVIVOR® load cell cable

Standard Features

- Load cells are NTEP Certified 1:10,000 divisions, Class III*
- Converts Mettler Toledo PDX digital scales to analog
- Load cells have built-in surge protection and rated to IP69K
- Stainless steel overbraided cable
- Two-year limited warranty

*Consult your local Weights & Measures Authorities for local Legal for Trade requirements

Applications

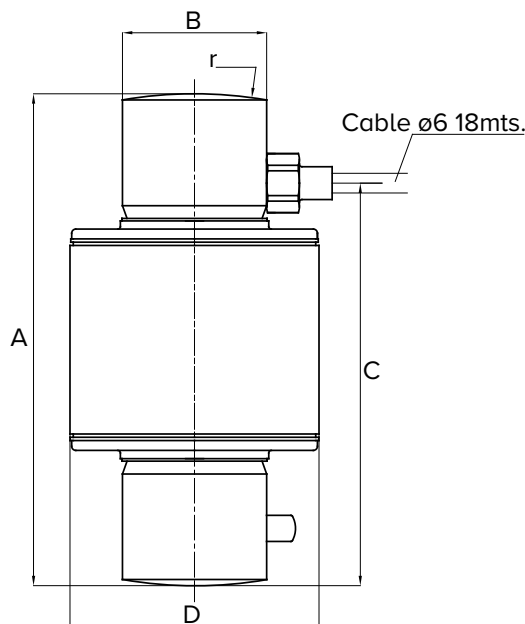
- Mettler Toledo PDX digital truck scale conversion

Digital Retrofit Order information

Description	Part #	Price
8 mount kit RL82025-50 t load cells, two JBSPT junction boxes	227964	Consult
10 mount kit RL82025-50 t load cells, three JBSPT junction boxes	227965	Consult

Dimensions

Rated Capacity	A	Ø B	C	D	r
t/mm Analog Load Cells					
15	150.0	44.0	123.0	76.0	130.0
20	150.0	44.0	123.0	76.0	130.0
25	150.0	44.0	123.0	76.0	150.0
30	150.0	44.0	123.0	76.0	160.0
40	150.0	44.0	123.0	76.0	180.0
50	150.0	44.0	123.0	76.0	180.0



Rice Lake Analog Retrofit Kit

Stainless Steel, Analog Load Cells for B-Tek Digital Conversion to Analog

LOAD CELLS /
WEIGH MODULES

RL82021-40t Load Cells



Shown here with the EL304A signal trim junction box. Picture is a representation of actual product.



Load Cell Approvals

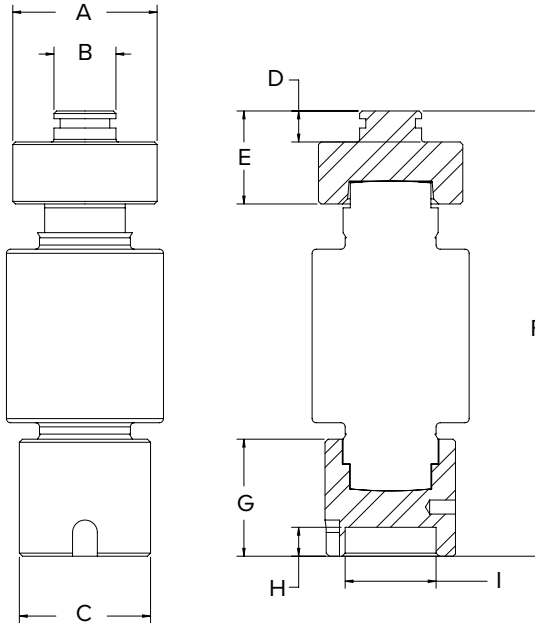


Digital Retrofit Order information

Description	Part #	Price
8 mount kit RL82021-40 t load cells, two EL304A junction boxes	216423	Consult
10 mount kit RL82021-40 t load cells, three EL304A junction boxes	216424	Consult

Dimensions

Analog Load Cells	
A	Ø2.75 in (70 mm)
B	Ø1.18 in (30 mm)
C	Ø2.50 in (64 mm)
D	0.59 in (15 mm)
E	1.77 in (45 mm)
F	8.48 in (215 mm)
G	2.23 in (57 mm)
H	0.55 in (14 mm)
I	Ø1.73 in (44 mm)



Complete Kit Includes

- Eight or ten Rice Lake NTEP Certified stainless steel, hermetically sealed, rocker column load cells
- Upper and lower cups
- Grounding straps
- NEMA Type 4X signal trim junction boxes
- 100 ft of hostile environment EL147HE SURVIVOR® load cell cable

Standard Features

- Load cells are NTEP Certified 1:10,000 divisions, Class III^{*}
- Converts B-TEK digital CPD-M scales to analog
- Load cells have built-in surge protection and rated to IP69K
- Stainless steel overbraided cable
- Two-year limited warranty

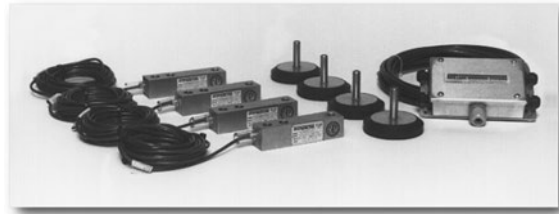
**Consult your local Weights & Measures Authorities for local Legal for Trade requirements*

Applications

- B-TEK digital truck scale conversion

Electronic Floor Scale Underdeck Kits

LOAD CELLS /
WEIGH MODULES



Underdeck kits are provided to meet the application needs of the electronic floor scale producer and are an easy source for rebuilding existing floor scales. Underdeck kits are provided with mounting plates and load cell bolts for easy installation.

Economical Kit

Kit Includes

- (4) VPG® Celtron SQB alloy steel NTEP Certified 5,000 d, Class III load cells
- (1) JB4SS stainless steel NEMA Type 4X junction box
- (4) SureFoot® high-accuracy stainless steel support feet
- 20 ft EL147HE load cell cable
- (4) mounting plates and (8) load cell bolts

Order Information

Scale Base Capacity	Part #	Price
1,000 lb for 2,000 lb base	26436	Consult
2,500 lb for 5,000 lb base	26437	Consult
4,000 lb for 10,000 lb base	26438	Consult

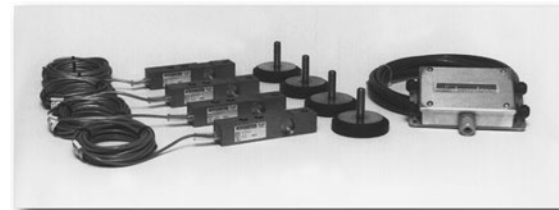
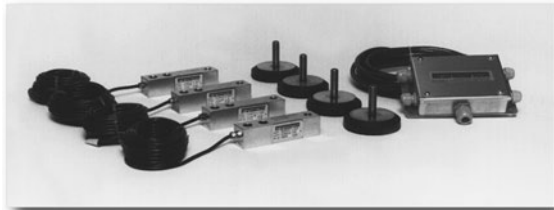
Chemical, Dry Corrosive & Non-Washdown Applications Kit

Kit Includes

- (4) VPG® Celtron SQB-HSS stainless steel NTEP Certified 5,000 d, Class III load cells
- (1) JB4SS stainless steel NEMA Type 4X junction box
- (4) SureFoot® high-accuracy stainless steel support feet
- 20 ft EL147HE load cell cable
- (4) mounting plates and (8) load cell bolts

Order Information

Scale Base Capacity	Part #	Price
1,000 lb for 2,000 lb base	19035	Consult
2,500 lb for 5,000 lb base	19036	Consult
4,000 lb for 10,000 lb base	19037	Consult



Standard Precision Applications Kit

Kit Includes

- (4) Rice Lake RL32018 alloy steel NTEP Certified 5,000 d, Class III load cells
- (1) JB4SS stainless steel NEMA Type 4X junction box
- (4) SureFoot high-accuracy stainless steel support feet
- 20 ft EL147HE load cell cable
- (4) mounting plates and (8) load cell bolts

NOTES: The use of NTEP Certified load cells in a scale base does not constitute approval of the completed base. Consult with local or state jurisdiction for compliance requirements.

Order Information

Scale Base Capacity	Part #	Price
1,000 lb for 2,000 lb base	19032	Consult
2,500 lb for 5,000 lb base	19033	Consult
4,000 lb for 10,000 lb base	19034	Consult

Wet Applications Kit

Kit Includes

- (4) Rice Lake RL32018S-HE welded-seal stainless steel NTEP Certified 5,000 d, Class III load cells
- (1) JB4SS stainless steel NEMA Type 4X junction box
- (4) SureFoot® high-accuracy stainless steel support feet
- 20 ft EL147HE load cell cable
- (4) mounting plates and (8) load cell bolts

Order Information

Scale Base Capacity	Part #	Price
1,000 lb for 2,000 lb base	19038	Consult
2,500 lb for 5,000 lb base	19039	Consult
4,000 lb for 10,000 lb base	19040	Consult

RL20000I

Alloy Steel, Environmentally Sealed, NTEP Certified 1:5,000 III/1:10,000 IIIL, IP67

LOAD CELLS / WEIGH MODULES



Picture is a representation of actual product.

Approvals



Order Information

Load Rating	Part #	Est. Weight	Price
25 lb	21428	2 lb	Consult
50 lb	21429	2 lb	Consult
75 lb	21430	2 lb	Consult
100 lb	21431	2 lb	Consult
150 lb	21432	2 lb	Consult
200 lb	21433	2 lb	Consult
250 lb	21434	2 lb	Consult
300 lb	21435	2 lb	Consult
500 lb	21436	2 lb	Consult
750 lb	21437	2 lb	Consult
1,000 lb	21438	2 lb	Consult
1,500 lb	21439	2 lb	Consult
2,000 lb***	21356	2 lb	Consult
2,000 lb	21440	2 lb	Consult
2,500 lb	21441	2 lb	Consult
3,000 lb	21442	4 lb	Consult
5,000 lb***	17044	4 lb	Consult
5,000 lb	21443	4 lb	Consult
10,000 lb	21444	4 lb	Consult
15,000 lb	21445	7 lb	Consult
20,000 lb***	17045	17 lb	Consult
20,000 lb	21446	17 lb	Consult
Conduit Adapter Kit* (must be factory installed to maintain warranty)			
3/8-24 nipple	31533*	1 lb	Consult
3/8-24 to 1/4-18 NPT	31534*	1 lb	Consult
Replacement Agriculture Scale Load Cell - 40 ft Cable			
10,000 lb	151746	5 lb	Consult

*PN 31533 and PN 31534 must be installed together to form the Conduit Adapter Kit

***These load cells have 30ft or 35ft of cable and trimmed outputs and are used in many batch plants

Dimensions

Rated Capacity	A	B	C	D	E
lb/in					
25 to 300	1/4-28 UNF	0.75	0.50	2.00	2.50
500 to 1,500	1/2-20 UNF	1.00	0.75	2.00	2.50
2,000 to 2,500	1/2-20 UNF	1.25	1.00	2.00	2.50
3,000	1/2-20 UNF	1.25	1.00	3.00	4.00
5,000 to 10,000	3/4-16 UNF	1.25	1.22	3.00	4.00
15,000	1-12 UNF	1.50	1.25	4.00	5.50
20,000	1 1/4-12 UNF	2.25	2.00	5.00	7.00

Interchangeable Products

ARTECH®

20210 (1-14 UNF) (15,000 lb thread is 1-12 UNF for Rice Lake model)

Weigh Module Available

RICE LAKE WEIGHING SYSTEMS
ITCM Isolated Tension Cell Mount

Specifications

Full Scale Output:

3.0 mV/V

Output Resistance:

350 (± 3) ohm

Input Resistance:

385 (± 5) ohm

Material/Finish:

High-alloy steel, nickel plated

Temperature:

Compensated:
14 °F to 104 °F (-10 °C to 40 °C)
Operating:
0 °F to 150 °F (-18 °C to 65 °C)

Seal Type:

Environmentally sealed, IP67

Safe Overload:

150% full scale

Rated Excitation:

5 to 10 VDC (15 V maximum)

Combined Error:

0.02% full scale

Insulation Resistance:

5,000 megohm

Cable Length:

20 ft
30 ft (pn 17044 and 17045)
35 ft (pn 21356)

Cable Diameter:

0.200 in
Polyurethane jacket

Cable Color Code:

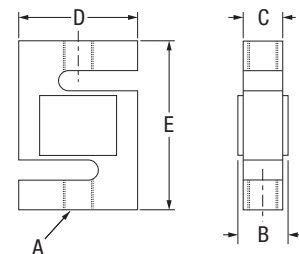
Red +Excitation
Black -Excitation
Green +Signal
White -Signal

Warranty:

Two-year limited

Approvals:

NTEP 90-158
cFMus



Stainless Steel, Environmentally Sealed, NTEP Certified 1:10,000 Class III L Single Cell, IP67

LOAD CELLS / WEIGH MODULES



Picture is a representation of actual product.

Approvals



Order Information

Load Rating	Part #	Est. Weight	Price
NTEP Certified			
100 lb	46511	2 lb	Consult
250 lb	46503	2 lb	Consult
300 lb	181826	2 lb	Consult
500 lb	46504	2 lb	Consult
750 lb	46505	2 lb	Consult
1,000 lb	46506	2 lb	Consult
2,500 lb	46507	2 lb	Consult
3,000 lb	46508	4 lb	Consult
5,000 lb	46509	4 lb	Consult
10,000 lb	46510	4 lb	Consult
Non-NTEP Certified			
50 lb	17013	2 lb	Consult
15,000 lb	158375	7 lb	Consult
20,000 lb	158376	13 lb	Consult
Conduit Adapter Kit* (must be factory installed to maintain warranty)			
3/8-24 nipple	31533*	1 lb	Consult
3/8-24 to 1/4-18 NPT	31534*	1 lb	Consult

* PN 31533 and PN 31534 must be installed together to form the Conduit Adapter Kit

Dimensions

Rated Capacity	A	B	C	D	E
lb/in					
50 to 300	1/4-28 UNF	0.65	0.46	2.00	2.40
500 to 1,000	1/2-20 UNF	0.90	0.71	2.00	2.40
2,500	1/2-20 UNF	1.15	0.96	2.00	2.40
3,000	1/2-20 UNF	1.15	0.96	3.00	3.90
5,000	3/4-16 UNF	1.15	0.96	3.00	3.90
10,000	3/4-16 UNF	1.40	1.21	3.00	3.90
15,000	1-14 UNS	1.63	1.46	3.44	5.50
20,000	1 1/4-12 UNF	1.88	1.68	4.44	7.00

Interchangeable Products

VPG® REVERE
9363
ARTECH®
20210

Weigh Module Available

RICE LAKE WEIGHING SYSTEMS
ITCM Isolated
Tension Cell Mount

Specifications

Full Scale Output:
3.0 (± 0.008) mV/V

Output Resistance:
350 (± 3.5) ohm

Input Resistance:
390 (± 15) ohm

Material/Finish:
Stainless steel

Temperature:
Compensated:
14 °F to 104 °F (-10 °C to 40 °C)
Operating:
0 °F to 150 °F (-18 °C to 65 °C)

Seal Type:
Environmentally sealed, IP67

Safe Overload:
150% full scale

Rated Excitation:
5 to 10 VDC (15 V maximum)

Combined Error:
0.03% full scale

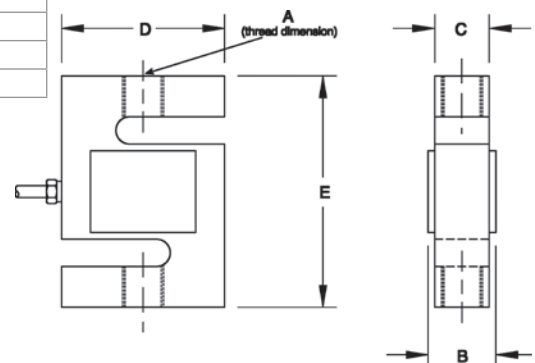
Insulation Resistance:
5,000 megohm

Cable Length:
20 ft

Cable Color Code:
Red +Excitation
Black -Excitation
Green +Signal
White -Signal

Warranty:
Two-year limited

Approvals:
NTEP 98-078
cFMus



RL2000ST

Stainless Steel, Environmentally Sealed, NTEP Certified 1:10,000 Class III Single Cell, IP67

LOAD CELLS /
WEIGH MODULES



Picture is a representation of actual product.

Approvals



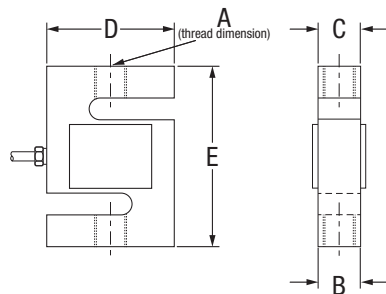
Order Information

Load Rating	Part #	Est. Weight	Price
50 lb	72741	2 lb	Consult
100 lb	72742	2 lb	Consult
200 lb	72743	2 lb	Consult
250 lb	72744	2 lb	Consult
300 lb	72745	2 lb	Consult
500 lb	72746	2 lb	Consult
750 lb	72747	2 lb	Consult
1,000 lb	72748	2 lb	Consult
1,500 lb	72749	2 lb	Consult
2,000 lb	72750	2 lb	Consult
2,500 lb	72751	2 lb	Consult
3,000 lb	72752	4 lb	Consult
5,000 lb	72753	4 lb	Consult
Conduit Adapter Kit* (must be factory installed to maintain warranty)			
3/8-24 nipple	31533*	1 lb	Consult
3/8-24 to 1/4-18 NPT	31534*	1 lb	Consult

*PN 31533 and PN 31534 must be installed together to form the Conduit Adapter Kit.

Dimensions

Rated Capacity	A	B	C	D	E
lb/in					
50 to 300	1/4-28 UNF	0.65	0.46	2.00	2.40
500 to 1,000	1/2-20 UNF	0.90	0.71	2.00	2.40
1,500 to 2,500	1/2-20 UNF	1.15	0.96	2.00	2.40
3,000	1/2-20 UNF	1.15	0.96	3.00	3.90
5,000	3/4-16 UNF	1.15	0.96	3.00	3.90



Specifications

- Full Scale Output:** 3.0 mV/V
- Output Resistance:** 350 (± 3.5) ohm
- Input Resistance:** 430 (± 60) ohm
- Material/Finish:** Stainless steel
- Temperature:** Compensated: 14 °F to 104 °F (-10 °C to 40 °C)
Operating: 0 °F to 150 °F (-18 °C to 65 °C)
- Seal Type:** Environmentally sealed, IP67
- Safe Overload:** 150% full scale
- Rated Excitation:** 5 to 10 VDC (15 V maximum)
- Combined Error:** 0.03% full scale
- Insulation Resistance:** 5,000 megohm
- Cable Length:** 20 ft
- Cable Diameter:** 0.190 in
Polyurethane jacket
- Cable Color Code:** Red +Excitation
Black -Excitation
Green +Signal
White -Signal
- Warranty:** Two-year limited
- Approvals:** NTEP 03-007
FM



Picture is a representation of actual product.

Approvals



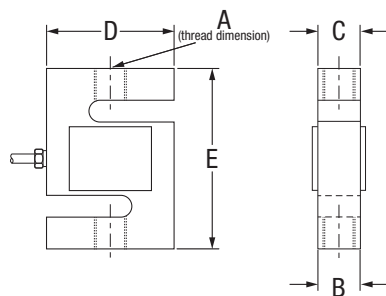
Order Information

Load Rating	Part #	Est. Weight	Price
250 lb	21402	2 lb	Consult
500 lb	21403	2 lb	Consult
750 lb	21404	2 lb	Consult
1,000 lb	21405	2 lb	Consult
1,500 lb	21406	2 lb	Consult
2,000 lb	21407	3 lb	Consult
2,500 lb	21408	4 lb	Consult
3,000 lb	21409	3 lb	Consult
5,000 lb	21410	4 lb	Consult
10,000 lb	21411	5 lb	Consult
15,000 lb	21412	7 lb	Consult
20,000 lb	21413	16 lb	Consult
Conduit Adapter Kit* (must be factory installed to maintain warranty)			
3/8-24 nipple	31533*	1 lb	Consult
3/8-24 to 1/4-18 NPT	31534*	1 lb	Consult

*PN 31533 and PN 31534 must be installed together to form the Conduit Adapter Kit

Dimensions

Rated Capacity	A	B	C	D	E
lb/in					
250	3/8-24 UNF	0.75	0.50	2.00	3.00
500 to 2,000	1/2-20 UNF	1.00	0.75	2.00	3.00
2,500 to 3,000	1/2-20 UNF	1.25	1.00	2.00	3.00
5,000	3/4-16 UNF	1.25	1.00	3.00	4.25
10,000	3/4-16 UNF	1.25	1.00	3.50	4.75
15,000	1-14 UNS	1.50	1.25	4.00	5.50
20,000	1 1/4-12 UNF	2.25	2.00	5.00	7.00



Interchangeable Products

VPG® CELTRON®
STC

VPG® SENSORTRONICS®
60001

Weigh Module Available

RICE LAKE WEIGHING SYSTEMS
**ITCM Isolated
Tension Cell Mount**

Specifications

Full Scale Output:
3.0 mV/V

Output Resistance:
350 (± 3) ohm

Input Resistance:
385 (± 5) ohm

Material/Finish:
High-alloy steel, nickel plated

Temperature:
Compensated:
14 °F to 104 °F (-10 °C to 40 °C)
Operating:
0 °F to 150 °F (-18 °C to 65 °C)

Seal Type:
Environmentally sealed, IP67

Safe Overload:
150% full scale

Rated Excitation:
5 to 10 VAC (15 V maximum)

Combined Error:
0.02% full scale

Insulation Resistance:
5,000 megohm

Cable Length:
20 ft

Cable Diameter:
0.200 in
Polyurethane jacket

Cable Color Code:
Red +Excitation
Black -Excitation
Green +Signal
White -Signal

Warranty:
Two-year limited

Approvals:
NTEP 91-046
cFMus

RL20001HE

Stainless Steel, Welded Seal, NTEP Certified 1:5,000 Class III/1:10,000 Class IIII Single Cell, IP68



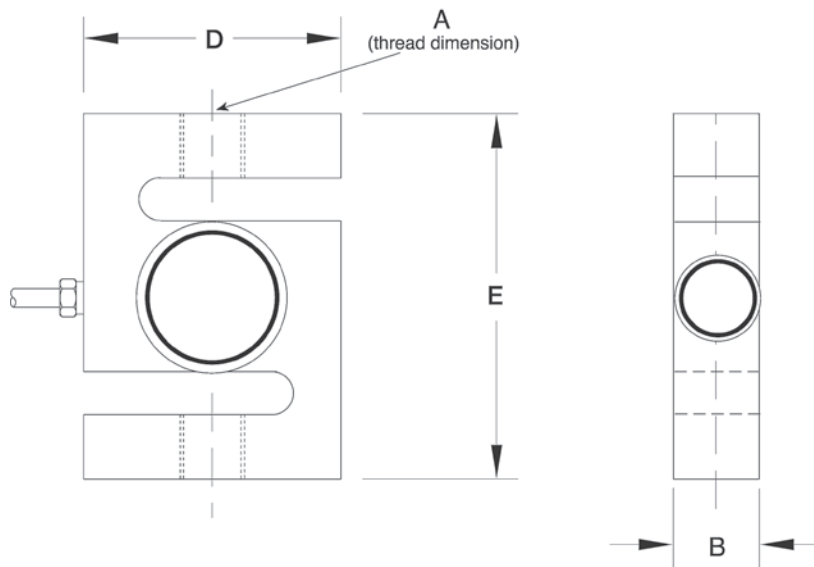
Picture is a representation of actual product.

Approvals**Order Information**

Load Rating	Part #	Est. Weight	Price
NTEP Certified			
500 lb	46469	2 lb	Consult
750 lb	46470	2 lb	Consult
1,000 lb	46471	2 lb	Consult
1,500 lb	46472	2 lb	Consult
2,000 lb	46473	2 lb	Consult
2,500 lb	46474	2 lb	Consult
3,000 lb	46475	2 lb	Consult
5,000 lb	46476	5 lb	Consult
Non-NTEP Certified			
10,000 lb	36292	5 lb	Consult

Dimensions

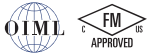
Rated Capacity	A	B	D	E
lb/in				
500 to 3,000	1/2-20 UNF	1.00	2.00	3.00
5,000 to 10,000	3/4-16 UNF	1.00	3.50	4.75

**Interchangeable Products**VPG® SENSORTRONICS®
60063**Weigh Module Available**RICE LAKE WEIGHING SYSTEMS
**ITCM HE Isolated
Tension Cell Mount****Specifications****Full Scale Output:**
2.0 mV/V**Bridge Resistance:**
350 ohm, nominal**Material/Finish:**
Stainless steel**Temperature:**
Compensated:
14 °F to 104 °F (-10 °C to 40 °C)
Operating:
0 °F to 150 °F (-18 °C to 65 °C)**Seal Type:**
Welded-seal, IP68**Safe Overload:**
150% full scale**Rated Excitation:**
5 to 10 VDC (15 V maximum)**Combined Error:**
0.02% full scale**Insulation Resistance:**
5,000 megohm**Cable Length:**
20 ft**Cable Diameter:**
0.200 in
Polyurethane jacket**Cable Color Code:**
Red +Excitation
Black -Excitation
Green +Signal
White -Signal**Warranty:**
Two-year limited**Approvals:**
NTEP 98-071
cFMus



Picture is a representation of actual product.

Approvals



Order Information

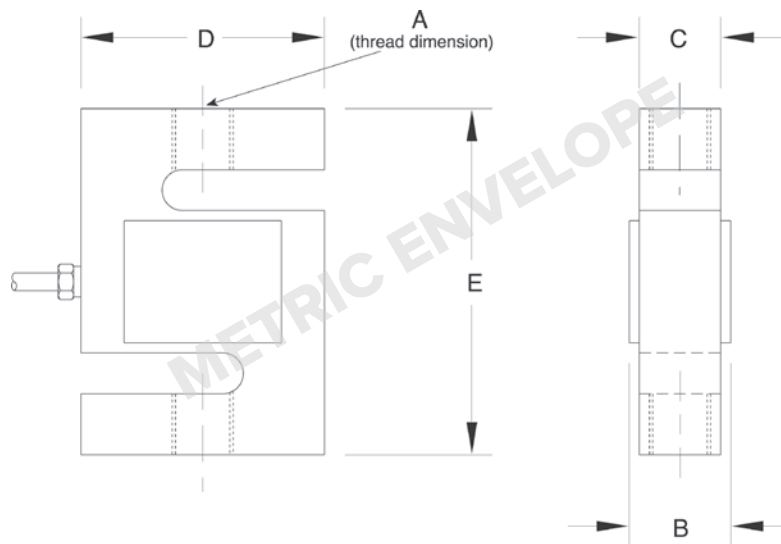
Load Rating	Part #	Est. Weight	Price
250 kg	31254	2 lb	Consult
500 kg	31255	2 lb	Consult
1,000 kg	31256	2 lb	Consult
2,500 kg	31257	3 lb	Consult

Dimensions

Rated Capacity	A	B	C	D	E
kg/mm					
250 to 1,000	M12 × 1.75-6H	25.4	19.1	50.8	76.0
2,500	M20 × 1.5-6H	31.8	25.4	76.2	108.0

Specifications

- Full Scale Output:**
3.0 mV/V ± 0.25%
- Bridge Resistance:**
350 ohm, nominal
- Material/Finish:**
Alloy steel
- Temperature:**
Operating:
0 °F to 150 °F (-18 °C to 65 °C)
- Seal Type:**
Environmentally sealed, IP67
- Safe Overload:**
150% full scale
- Rated Excitation:**
5 to 10 VAC/DC (15V maximum)
- Combined Error:**
0.02% full scale
- Insulation Resistance:**
5,000 megohm
- Cable Length:**
6 m
- Cable Diameter:**
5 mm
Polyurethane jacket
- Cable Color Code:**
Red +Excitation
Black -Excitation
Green +Signal
White -Signal
- Warranty:**
Two-year limited
- Approvals:**
OIML R60/1991-GB-95-09
cFMus



RL32022

Alloy Steel, Environmentally Sealed, OIML C3, IP67

LOAD CELLS /
WEIGH MODULES



Picture is a representation of actual product.

Approvals



Order Information

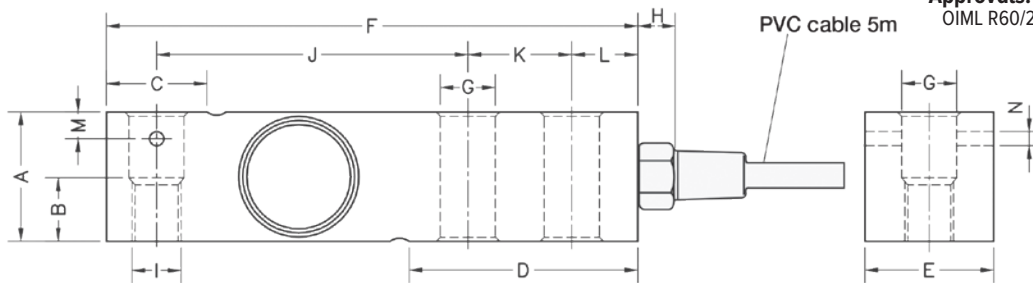
Load Rating	Part #	Est. Weight	Price
300 kg	211630	0.9 kg	Consult
500 kg	211631	0.9 kg	Consult
750 kg	211632	0.9 kg	Consult
1,000 kg	211633	0.9 kg	Consult
1,500 kg	211634	0.9 kg	Consult
2,000 kg	211635	0.9 kg	Consult

Dimensions

Rated Capacity	A	B	C	D	E	F	G	H	I	J	K	L	M	N
kg/mm														
300 to 2,000	31.5	15.0	34.6	56.0	31.5	130.0	13.5	18.0	M12	76.2	25.4	15.8	6.5	3.5

Specifications

- Full Scale Output:**
2.0 mV/V ± 0.05%
mV/V/ohm calibration
- Output Resistance:**
350 (± 3) ohm
- Input Resistance:**
400 (± 20) ohm
- Material/Finish:**
Alloy steel, nickel plated
- Temperature:**
Compensated:
-14 °F to 104 °F (-10 °C to 40 °C)
Operating:
0 °F to 150 °F (-18 °C to 65 °C)
- Seal Type:**
Environmentally sealed, IP67
- Safe Overload:**
150% full scale
- Safe Sideload:**
100% full scale
- Rated Excitation:**
10 VDC (15 V maximum)
- Combined Error:**
0.017% full scale
- Insulation Resistance:**
> 5,000 megohm
- Deflection at Capacity:**
0.2 to 0.4 mm
- Cable Length:**
5 m
- Cable Color Code:**
Green +Excitation
Black -Excitation
Red +Signal
White -Signal
- Warranty:**
Two-year limited
- Approvals:**
OIML R60/2017-A-NL1-22.11





Picture is a representation of actual product.

Approvals



Order Information

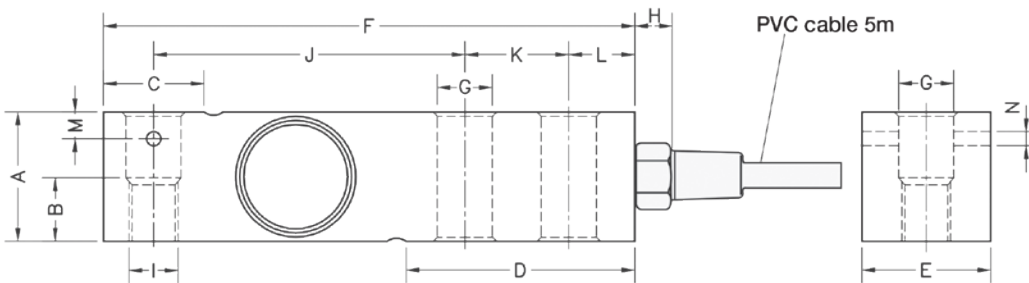
Load Rating	Part #	Est. Weight	Price
300 kg	211636	0.9 kg	Consult
500 kg	211637	0.9 kg	Consult
750 kg	211638	0.9 kg	Consult
1,000 kg	211639	0.9 kg	Consult
1,500 kg	211640	0.9 kg	Consult
2,000 kg	211641	0.9 kg	Consult
3,000 kg	211642	2.2 kg	Consult
5,000 kg	211643	2.2 kg	Consult

Dimensions

Rated Capacity	A	B	C	D	E	F	G	H	I	J	K	L	M	N
kg/mm														
300 to 2,000	31.5	15.0	34.6	56.0	31.5	130.0	13.5	18.0	M12	76.2	25.4	15.8	6.5	3.5
3,000 to 5,000	48.0	-	37.0	76.0	41.5	171.5	20.5	18.0	-	95.2	38.1	19.0	-	-

Specifications

- Full Scale Output:**
2.0 mV/V \pm 0.05%
mV/V/ohm calibration
- Output Resistance:**
350 (\pm 3) ohm
- Input Resistance:**
400 (\pm 20) ohm
- Material/Finish:**
Stainless steel
- Temperature:**
Compensated:
-14 °F to 104 °F (-10 °C to 40 °C)
Operating:
0 °F to 150 °F (-18 °C to 65 °C)
- Seal Type:**
Hermetically sealed, IP69K
- Safe Overload:**
150% full scale
- Safe Sideload:**
100% full scale
- Rated Excitation:**
10 VDC (15 V maximum)
- Combined Error:**
0.017% full scale
- Insulation Resistance:**
> 5,000 megohm
- Deflection at Capacity:**
0.2 to 0.4 mm
- Cable Length:**
5 m
- Cable Color Code:**
Green +Excitation
Black -Excitation
Red +Signal
White -Signal
- Warranty:**
Two-year limited
- Approvals:**
OIML R60/2017-A-NL1-22.11



RL32018

Alloy Steel, Environmentally Sealed, NTEP Certified 1:5,000 Class III Multiple Cell, IP66

LOAD CELLS / WEIGH MODULES



Picture is a representation of actual product.

Approvals



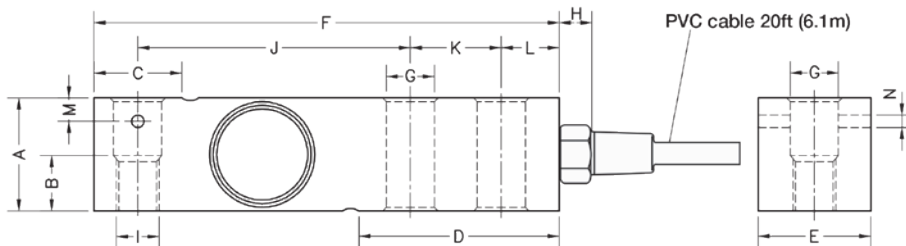
Order Information

Load Rating	Part #	Est. Weight	Price
NTEP Certified			
500 lb*	189151	2 lb	Consult
1,000 lb	189152	2 lb	Consult
1,500 lb	191732	2 lb	Consult
2,000 lb	189153	2 lb	Consult
2,500 lb	189154	2 lb	Consult
3,000 lb	189155	5 lb	Consult
4,000 lb	189156	5 lb	Consult
5,000 lb SE	189157	5 lb	Consult
5,000 lb LE	189158	5 lb	Consult
10,000 lb	189159	5 lb	Consult
Non-NTEP Certified			
250 lb	189150	2 lb	Consult
15,000 lb	189160	10 lb	Consult
20,000 lb	189161	10 lb	Consult
With Overbraided Cable			
2,500 lb	209166	10 lb	Consult
20,000 lb*	197558	10 lb	Consult

SE=small envelope; LE=large envelope
* Pending NTEP

Dimensions

Rated Capacity	A	B	C	D	E	F	G	H	I	J	K	L	M	N
lb/in														
250 to 500	1.00	0.59	0.96	2.20	1.24	5.12	0.53	0.70	1/2-20 UNF	3.00	1.00	0.62	0.25	0.13
1,000 to 5,000 SE	1.24	0.59	0.96	2.20	1.24	5.12	0.53	0.70	1/2-20 UNF	3.00	1.00	0.62	0.25	0.13
5,000 LE to 10,000	1.50	0.75	1.45	2.99	1.50	6.75	0.80	0.70	3/4-16 UNF	3.75	1.50	0.75	-	-
15,000 to 20,000	2.00	-	-	4.00	2.00	8.75	1.06	-	1-14 UNS	4.90	2.00	1.00	-	-



Interchangeable Products

VPG® SENSORTRONICS®
65023A
VPG® CELTRON®
SQB

Weigh Module Available

RICE LAKE WEIGHING SYSTEMS
RL50210TA
RICE LAKE WEIGHING SYSTEMS
RL1800 Series

Specifications

- Full Scale Output:**
3.0 mV/V ± 0.05%
mV/V/ohm calibration
- Output Resistance:**
350 (± 3) ohm
- Input Resistance:**
400 (± 20) ohm
- Material/Finish:**
Alloy steel, nickel plated
- Temperature:**
Compensated:
-14 °F to 104 °F (-10 °C to 40 °C)
Operating:
0 °F to 150 °F (-18 °C to 65 °C)
- Seal Type:**
Environmentally sealed, IP66
- Safe Overload:**
150% full scale
- Safe Sideload:**
100% full scale
- Rated Excitation:**
10 VDC (15 V maximum)
- Combined Error:**
0.017% full scale
- Insulation Resistance:**
> 5,000 megohm
- Deflection at Capacity:**
0.2 to 0.4 mm
- Cable Length:**
20 ft
- Cable Color Code:**
Red +Excitation
Black -Excitation
Green +Signal
White -Signal
- Warranty:**
Two-year limited
- Approvals:**
NTEP 18-106
cFMus FM18US0307X

RL32018 MLC Coated

Alloy Steel, Environmentally Sealed, NTEP Certified 1:5,000 Class III Multiple Cell, IP66



Picture is a representation of actual product.

Approvals



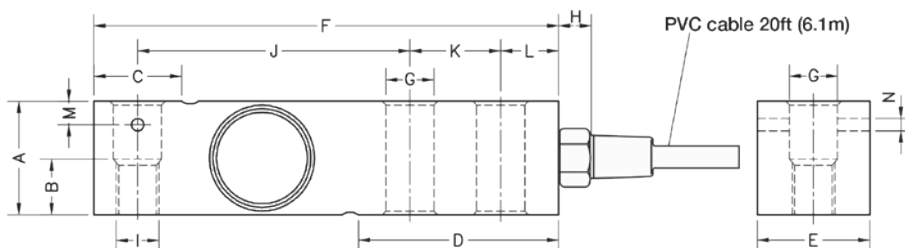
Order Information

Load Rating	Part #	Est. Weight	Price
NTEP Certified			
1,000 lb	207842	2 lb	Consult
1,500 lb	207843	2 lb	Consult
2,000 lb	207844	2 lb	Consult
2,500 lb	207845	2 lb	Consult
3,000 lb	207846	5 lb	Consult
4,000 lb	207847	5 lb	Consult
5,000 lb SE	207848	5 lb	Consult
5,000 lb LE	207850	5 lb	Consult
10,000 lb	207851	5 lb	Consult
Non-NTEP Certified			
15,000 lb	207852	10 lb	Consult
20,000 lb	207853	10 lb	Consult

SE=small envelope; LE=large envelope

Dimensions

Rated Capacity	A	B	C	D	E	F	G	H	I	J	K	L	M	N
1,000 to 5,000 SE	1.24	0.59	0.96	2.20	1.24	5.12	0.53	0.70	1/2-20 UNF	3.00	1.00	0.62	0.25	0.13
5,000 LE to 10,000	1.50	-	1.45	2.99	1.50	6.75	0.80	0.70	3/4-16 UNF	3.75	1.50	0.75	-	-
15,000 to 20,000	2.00	-	-	4.00	2.00	8.75	1.06	-	1-14 UNS	4.90	2.00	1.00	-	-



Weigh Module Available

RICE LAKE WEIGHING SYSTEMS
RL50210TA
 RICE LAKE WEIGHING SYSTEMS
RL1800 Series

Specifications

- Full Scale Output:**
3.0 mV/V ± 0.05%
mV/V/ohm calibration
- Output Resistance:**
350 (± 3) ohm
- Input Resistance:**
400 (± 20) ohm
- Material/Finish:**
Alloy steel, nickel plated, coated
- Temperature:**
Compensated:
-14 °F to 104 °F (-10 °C to 40 °C)
Operating:
0 °F to 150 °F (-18 °C to 65 °C)
- Seal Type:**
Environmentally sealed, IP66
- Safe Overload:**
150% full scale
- Safe Sideload:**
100% full scale
- Rated Excitation:**
10 VDC (15 V maximum)
- Combined Error:**
0.017% full scale
- Insulation Resistance:**
> 5,000 megohm
- Deflection at Capacity:**
0.2 to 0.4 mm
- Cable Length:**
20 ft
- Cable Color Code:**
Red +Excitation
Black -Excitation
Green +Signal
White -Signal
- Warranty:**
Two-year limited
- Approvals:**
NTEP 18-106
cFMus

LOAD CELLS /
WEIGH MODULES

SINGLE-ENDED BEAM
RL32018S

Stainless Steel, Environmentally Sealed, NTEP Certified 1:5,000 Class III Multiple Cell, IP66

LOAD CELLS /
 WEIGH MODULES



Picture is a representation of actual product.

Approvals



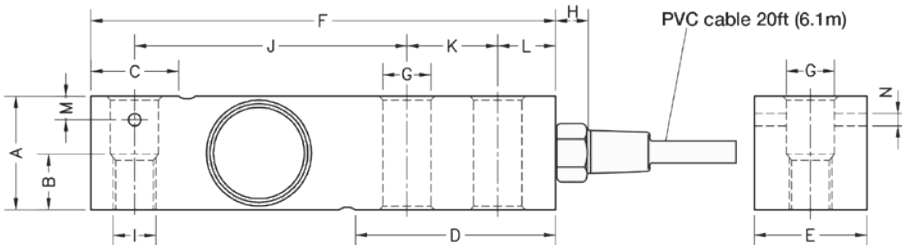
Order Information

Load Rating	Part #	Est. Weight	Price
NTEP Certified			
500 lb*	189163	3 lb	Consult
1,000 lb	189164	3 lb	Consult
2,000 lb	189165	3 lb	Consult
2,500 lb	189166	3 lb	Consult
4,000 lb	189167	3 lb	Consult
5,000 lb SE	189168	3 lb	Consult
5,000 lb LE	189169	5 lb	Consult
10,000 lb	189170	5 lb	Consult
Non-NTEP Certified			
250 lb	189162	3 lb	Consult
15,000 lb	189171	10 lb	Consult
20,000 lb	189172	10 lb	Consult

SE=small envelope; LE=large envelope
 *Pending NTEP

Dimensions

Rated Capacity	A	B	C	D	E	F	G	H	I	J	K	L	M	N
lb/in														
250 to 500	1.00	0.59	0.96	2.20	1.24	5.12	0.53	0.70	1/2-20 UNF	3.00	1.00	0.62	0.25	0.13
1,000 to 5,000 SE	1.24	0.59	0.96	2.20	1.24	5.12	0.53	0.70	1/2-20 UNF	3.00	1.00	0.62	0.25	0.13
5,000 LE to 10,000	1.50	-	1.45	2.99	1.50	6.75	0.80	0.70	3/4-16 UNF	3.75	1.50	0.75	-	-
15,000 to 20,000	2.00	-	-	4.00	2.00	8.75	1.06	-	1-14 UNS	4.90	2.00	1.00	-	-



Interchangeable Products

- RICE LAKE WEIGHING SYSTEMS
RL35023S
- VPG® SENSORTRONICS®
65023S
- VPG SENSORTRONICS
65023SS
- VPG® CELTRON®
SQB-HSS

Weigh Module Available

- RICE LAKE WEIGHING SYSTEMS
RL50210TA
- RICE LAKE WEIGHING SYSTEMS
RL1800 Series

Specifications

- Full Scale Output:**
 3.0 mV/V ± 0.05%
 mV/V/ohm calibration
- Output Resistance:**
 350 (± 3) ohm
- Input Resistance:**
 400 (± 20) ohm
- Material/Finish:**
 Stainless steel
- Temperature:**
 Compensated:
 14 °F to 104 °F (-10 °C to 40 °C)
 Operating range
 0 °F to 150 °F (-18 °C to 65 °C)
- Seal Type:**
 Environmentally sealed, IP66
- Safe Overload:**
 150% full scale
- Rated Excitation:**
 10 VDC (15 V maximum)
- Combined Error:**
 0.017% full scale
- Insulation Resistance:**
 > 5,000 megohm
- Deflection at Capacity:**
 0.2 to 0.4 mm
- Cable Length:**
 20 ft
- Cable Color Code:**
 Red +Excitation
 Black -Excitation
 Green +Signal
 White -Signal
- Warranty:**
 Two-year limited
- Approvals:**
 NTEP 18-106
 cFMus



Picture is a representation of actual product.

Approvals



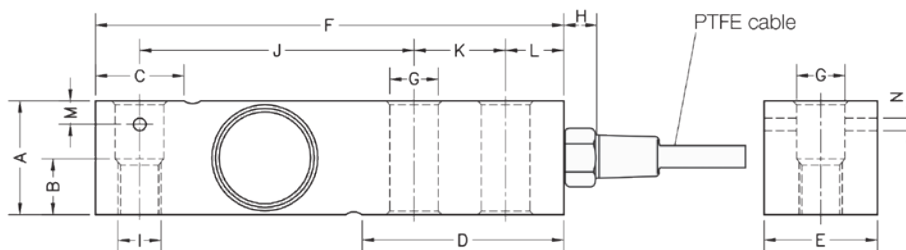
Order Information

Load Rating	Part #	Est. Weight	Price
1,000 lb	190654	3 lb	Consult
2,000 lb	190655	3 lb	Consult
2,500 lb	190656	3 lb	Consult
4,000 lb	190657	3 lb	Consult
5,000 lb SE	190658	3 lb	\$375.00
5,000 lb LE	190659	5 lb	Consult
10,000 lb	190660	5 lb	Consult

SE=small envelope; LE=large envelope

Dimensions

Rated Capacity	A	B	C	D	E	F	G	H	I	J	K	L	M	N
lb/in														
1,000 to 5,000 SE	1.24	0.59	0.96	2.20	1.25	5.12	0.53	0.70	1/2-20 UNF	3.00	1.00	0.62	0.25	0.13
5,000 LE to 10,000	1.50	—	1.45	2.99	1.50	6.75	0.80	0.70	3/4-16 UNF	3.75	1.50	0.75	—	—



Interchangeable Products

- RICE LAKE WEIGHING SYSTEMS
- RL32018S-HE**
- VPG® SENSORTRONICS®
- 65083**
- VPG® CELTRON®
- SQB-HSS**

Weigh Module Available

- RICE LAKE WEIGHING SYSTEMS
- RL1800 Series**

Specifications

- Full Scale Output:**
3.0 mV/V ± 0.05%
mV/V/ohm calibration
- Output Resistance:**
350 (± 3) ohm
- Input Resistance:**
400 (± 20) ohm
- Material/Finish:**
Stainless steel
- Temperature:**
Compensated:
-14 °F to 104 °F (-10 °C to 40 °C)
Operating:
0 °F to 150 °F (-18 °C to 65 °C)
- Seal Type:**
Hermetically sealed, IP69K
- Safe Overload:**
150% full scale
- Safe Sideload:**
100% full scale
- Rated Excitation:**
10 VDC (15 V maximum)
- Combined Error:**
0.017% full scale
- Insulation Resistance:**
> 5,000 megohm
- Deflection at Capacity:**
0.2 to 0.4 mm
- Cable Length:**
20 ft PTFE cable
- Cable Color Code:**
Red +Excitation
Black -Excitation
Green +Signal
White -Signal
- Warranty:**
Two-year limited
- Approvals:**
cFMus

RL32018S-HE

Stainless Steel, Hermetically Sealed, NTEP Certified 1:5,000 Class III Multiple Cell, IP69K

LOAD CELLS /
WEIGH MODULES



Picture is a representation of actual product.

Approvals



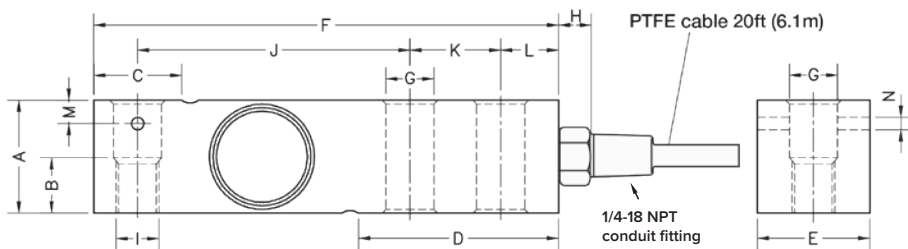
Order Information

Load Rating	Part #	Est. Weight	Price
500 lb	189175	3 lb	Consult
1,000 lb	189176	3 lb	Consult
2,000 lb	189178	3 lb	Consult
2,500 lb	189179	3 lb	Consult
4,000 lb	189181	3 lb	Consult
5,000 lb SE	208667	3 lb	Consult
5,000 lb LE	189182	5 lb	Consult
10,000 lb	189183	5 lb	Consult

SE=small envelope; LE=large envelope

Dimensions

Rated Capacity	A	B	C	D	E	F	G	H	I	J	K	L	M	N
lb/in														
500 to 5,000 SE	1.24	0.59	0.96	2.20	1.24	5.12	0.53	0.70	1/2-20 UNF	3.00	1.00	0.62	0.25	0.13
5,000 to 10,000	1.50	0.75	1.45	2.99	1.50	6.75	0.80	0.70	3/4-16 UNF	3.75	1.50	0.75	-	-



Interchangeable Products

RICE LAKE WEIGHING SYSTEMS
RL32018S-P (non-NTEP)
 VPG® SENSORTRONICS®
65083
 VPG® CELTRON®
SQB-HSS

Weigh Module Available

RICE LAKE WEIGHING SYSTEMS
RL1800 Series

Specifications

- Full Scale Output:**
3.0 mV/V ±0.05%
mV/V/ohm calibration
- Output Resistance:**
350 (±3) ohm
- Input Resistance:**
400 (±20) ohm
- Material/Finish:**
Stainless steel
- Temperature:**
Compensated:
14 °F to 104 °F (-10 °C to 40 °C)
Operating:
0 °F to 150 °F (-18 °C to 93 °C)
- Seal Type:**
Hermetically sealed, IP69K
- Safe Overload:**
150% full scale
- Safe Sideload:**
100% full scale
- Rated Excitation:**
5 to 10 VDC (15 V maximum)
- Combined Error:**
0.017% full scale
- Insulation Resistance:**
>5,000 megohm
- Cable Length:**
20 ft PTFE cable
- Cable Color Code:**
Red +Excitation
Black -Excitation
Green +Signal
White -Signal
- Warranty:**
Two-year limited
- Approvals:**
NTEP 18-106
cFMus

SINGLE-ENDED BEAM
RL32019S-HE

Stainless Steel, Hermetically Sealed, NTEP Certified 1:5,000 Class III Multiple Cell, IP69K



Picture is a representation of actual product.

Approvals



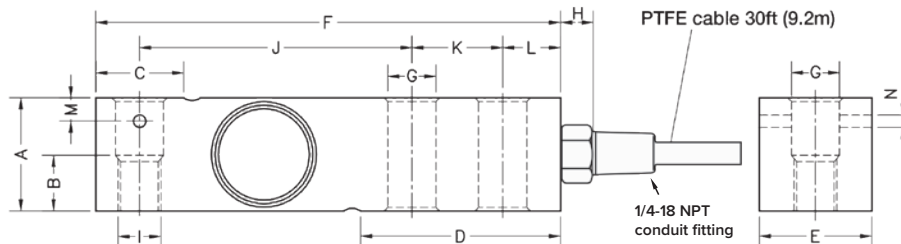
Order Information

Load Rating	Part #	Est. Weight	Price
1,000 lb	191629	4 lb	Consult
2,500 lb	191630	4 lb	Consult
4,000 lb	191631	4 lb	Consult
5,000 lb SE	208668	4 lb	Consult
5,000 lb LE	191632	6 lb	Consult
10,000 lb	191633	6 lb	Consult

SE=small envelope; LE=large envelope

Dimensions

Rated Capacity lb/in	A	B	C	D	E	F	G	H	I	J	K	L	M	N
1,000 to 5,000 SE	1.24	0.59	0.96	2.20	1.24	5.12	0.53	0.70	1/2-20 UNF	3.00	1.00	0.62	0.25	0.13
5,000 LE to 10,000	1.50	0.75	1.45	2.99	1.50	6.75	0.80	0.70	3/4-16 UNF	3.75	1.50	0.75	—	—



Interchangeable Products

RICE LAKE WEIGHING SYSTEMS
RL35082
 VPG® SENSORTRONICS®
65083S (20 ft cable)

Specifications

Full Scale Output:

2.0 mV/V ± 0.05%
 mV/V/ohm calibration

Output Resistance:

350 (± 3) ohm

Input Resistance:

400 (± 20) ohm

Material/Finish:

Stainless steel

Temperature:

Compensated:
 14 °F to 104 °F (-10 °C to 40 °C)
 Operating:
 0 °F to 150 °F (-18 °C to 93 °C)

Seal Type:

Hermetically sealed, IP69K

Safe Overload:

150% full scale

Rated Excitation:

5 to 10 VDC (15 V maximum)

Combined Error:

0.017% full scale

Insulation Resistance:

> 5,000 megohm

Deflection at Capacity:

0.2 to 0.4 mm

Cable Length:

30 ft PTFE cable

Cable Color Code:

Red +Excitation
 Black -Excitation
 Green +Signal
 White -Signal

Warranty:

Two-year limited

Approvals:

NTEP 18-106
 cFMus

LOAD CELLS /
WEIGH MODULES

RL32218S-HE

Stainless Steel, Hermetically Sealed, NTEP Certified 1:5,000 Class III Multiple Cell, IP69K

LOAD CELLS /
WEIGH MODULES



Picture is a representation of actual product.

Approvals



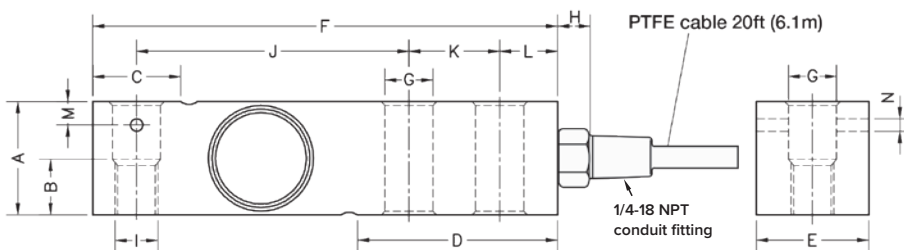
Order Information

Load Rating	Part #	Est. Weight	Price
RL32218S-HE PTFE Cable			
1,000 lb	191634	3 lb	Consult
2,500 lb	191635	3 lb	Consult
4,000 lb	191636	3 lb	Consult
5,000 lb SE	208669	3 lb	Consult
5,000 lb LE	191637	5 lb	Consult
10,000 lb	191638	5 lb	Consult
RL32218S-HE Rodent Protection Cable			
1,000 lb	223599	3 lb	Consult
2,500 lb	209620	3 lb	Consult
4,000 lb	223600	3 lb	Consult
5,000 lb LE	223601	5 lb	Consult
10,000 lb	222973	5 lb	Consult

SE=small envelope; LE=large envelope

Dimensions

Rated Capacity	A	B	C	D	E	F	G	H	I	J	K	L	M	N
1,000 to 5,000 SE	1.24	0.59	0.96	2.20	1.24	5.12	0.53	0.70	1/2-20 UNF	3.00	1.00	0.62	0.25	0.13
5,000 LE to 10,000	1.50	0.75	1.45	2.99	1.50	6.75	0.80	0.70	3/4-16 UNF	3.75	1.50	0.75	-	-



Interchangeable Products

RICE LAKE WEIGHING SYSTEMS

RL35082

RICE LAKE WEIGHING SYSTEMS

RL32019S-HE

VPG® SENSORTRONICS®

65083S

Weigh Module Available

RICE LAKE WEIGHING SYSTEMS

RL50210TA

RICE LAKE WEIGHING SYSTEMS

RL1800 Series

Specifications

Full Scale Output:

2.0 mV/V ± 0.05%
mV/V/ohm calibration

Output Resistance:

350 (± 3) ohm

Input Resistance:

400 (± 20) ohm

Material/Finish:

Stainless steel

Temperature:

Compensated:
14 °F to 104 °F (-10 °C to 40 °C)
Operating:
0 °F to 150 °F (-18 °C to 93 °C)

Seal Type:

Hermetically sealed, IP69K

Safe Overload:

150% full scale

Rated Excitation:

5 to 10 VDC (15 V maximum)

Combined Error:

0.017% full scale

Insulation Resistance:

> 5,000 megohm

Cable Length:

20 ft

Cable Color Code:

Red +Excitation
Black -Excitation
Green +Signal
White -Signal

Warranty:

Two-year limited

Approvals:

NTEP 18-106
cFMus



Picture is a representation of actual product.

Approvals

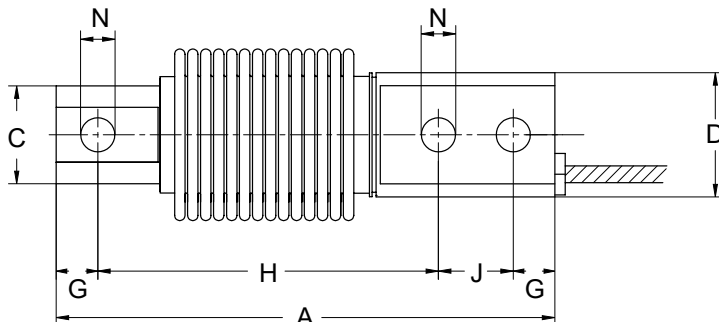
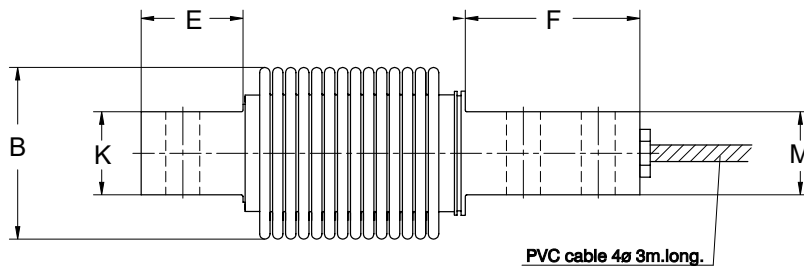


Order Information

Load Rating	Part #	Est. Weight	Price
NTEP Certified			
5 kg	188691	2 lb	Consult
10 kg	188692	2 lb	Consult
20 kg	188693	2 lb	Consult
30 kg	188694	2 lb	Consult
50 kg	188702	2 lb	Consult
75 kg	188695	2 lb	Consult
100 kg	188696	2 lb	Consult
200 kg	188697	2 lb	Consult
250 kg	188698	2 lb	Consult
300 kg	188699	2 lb	Consult
500 kg	188700	2 lb	Consult

Dimensions

Rated Capacity	A	B	C	D	E	F	G	H	J	K	M	N
kg/mm												
5 to 500	120.0	41.5	23.5	30.0	24.5	42.0	10.0	82.0	18.0	20.0	20.0	8.2



Interchangeable Products

RICE LAKE WEIGHING SYSTEMS
RLHBB

Specifications

- Full Scale Output:**
2.0 mV/V ± 10%
- Output Resistance:**
350 (± 3) ohm
- Input Resistance:**
400 (± 20) ohm
- Material/Finish:**
Stainless steel
- Temperature:**
Compensated:
14 °F to 104 °F (-10 °C to 40 °C)
Operating:
0 °F to 150 °F (-18 °C to 65 °C)
- Seal Type:**
Hermetically sealed, IP68/IP69K
- Safe Overload:**
150% full scale
- Rated Excitation:**
5 to 10 VDC (15 V maximum)
- Combined Error:**
0.017% full scale
- Insulation Resistance:**
> 5,000 megohm
- Deflection at Capacity:**
0.2 to 0.4 mm
- Cable Length:**
3 m
PVC cable
- Cable Color Code:**
Blue +Excitation
Black -Excitation
White +Signal
Red -Signal
Green +Sense
Yellow -Sense
- Warranty:**
Two-year limited
- Approvals:**
NTEP 18-107
OIML R60/2017-A-NL1-19.27
cFMus FM18US0307X

RL30000I

Alloy Steel, Environmentally Sealed, NTEP Certified 1:5,000 IIIIL Class III Multiple Cell, IP67

LOAD CELLS /
WEIGH MODULES



Picture is a representation of actual product.

Approvals



Order Information

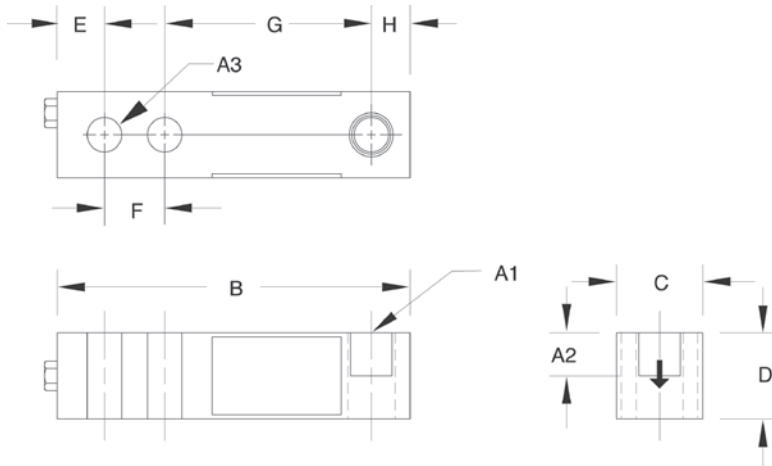
Load Rating	Part #	Est. Weight	Price
NTEP Certified			
1,000 lb	21491	3 lb	Consult
2,000 lb	21493	3 lb	Consult
2,500 lb	21495	3 lb	Consult
3,000 lb	21497	3 lb	Consult
4,000 lb	21498	3 lb	Consult
5,000 lb SE	21500	3 lb	Consult
5,000 lb LE	21501	5 lb	Consult
10,000 lb	21503	5 lb	Consult
Non-NTEP Certified			
250 lb	17341	3 lb	Consult
500 lb	17342	3 lb	Consult
20,000 lb	17109	10 lb	Consult
Conduit Adapter Kit (must be factory installed to maintain warranty)			
3/8-24 nipple	31533*	1 lb	Consult
3/8-24 to 1/4-18 NPT	31534*	1 lb	Consult

SE=small envelope; LE=large envelope

* PN 31533 and PN 31534 must be installed together to form the Conduit Adapter Kit

Dimensions

Rated Capacity	A1	A2	A3	B	C	D	E	F	G	H
250 to 5,000 SE	1/2-20 UNF	0.60	0.53	5.12	1.25	1.25	0.62	1.00	3.00	0.50
5,000 LE to 10,000	3/4-16 UNF	0.75	0.78	6.75	1.50	1.50	0.75	1.50	3.75	0.75
20,000	1-14 UNF	1.00	1.03	8.75	2.00	2.00	1.00	2.00	4.75	1.00



Interchangeable Products

VPG® REVERE

5123

VPG® TEDEA-HUNTLEIGH®

3411

ARTECH®

30310

Weigh Module Available

RICE LAKE WEIGHING SYSTEMS

RL50210TA

RICE LAKE WEIGHING SYSTEMS

RL1800 Series

Specifications

Full Scale Output:

3.0 mV/V

Output Resistance:

350 ± 3 ohm

Input Resistance:

385 ± 5 ohm

Material/Finish:

High-alloy steel, nickel plated

Temperature:

Compensated:
14 °F to 104 °F (-10 °C to 40 °C)

Operating:

0 °F to 150 °F (-18 °C to 65 °C)

Seal Type:

Environmentally sealed, IP67

Safe Overload:

150% full scale

Safe Sideload:

100% full scale

Rated Excitation:

5 to 10 VAC (15 V maximum)

Combined Error:

0.02% full scale

Insulation Resistance:

5,000 megohm

Deflection at Capacity:

250 to 1,000 lb: 0.013 in

2,000 to 3,000 lb: 0.015 in

4,000 to 5,000 lb: 0.025 in

10,000 lb: 0.032 in

20,000 lb: 0.038 in

Cable Length:

20 ft

Cable Diameter:

0.200 in

Polyurethane jacket

Cable Color Code:

Red +Excitation

Black -Excitation

Green +Signal

White -Signal

Warranty:

Two-year limited

Approvals:

NTEP 98-043

cFMus

SINGLE-ENDED BEAM
RL30002 Thru Hole

Alloy Steel, Environmentally Sealed, NTEP Certified 1:5,000 IIII Class III Multiple Cell, IP67



Picture is a representation of actual product.

Approvals



Order Information

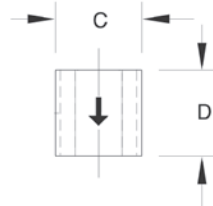
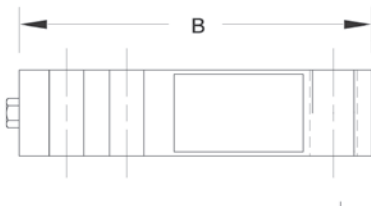
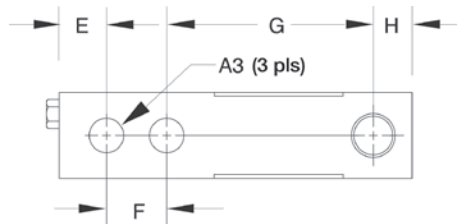
Load Rating	Part #	Est. Weight	Price
NTEP Certified			
1,000 lb	21521	3 lb	Consult
2,000 lb	21522	3 lb	Consult
2,500 lb	21523	3 lb	Consult
4,000 lb	21524	3 lb	Consult
5,000 lb SE	21525	3 lb	Consult
Conduit Adapter Kit (must be factory installed to maintain warranty)			
3/8-24 nipple	31533*	1 lb	Consult
3/8-24 to 1/4-18 NPT	31534*	1 lb	Consult

SE=small envelope

* PN 31533 and PN 31534 must be installed together to form the Conduit Adapter Kit

Dimensions

Rated Capacity	A3	B	C	D	E	F	G	H
lb/in								
1,000 to 5,000 SE	0.53	5.12	1.25	1.25	0.62	1.00	3.00	0.50



Interchangeable Products

- VPG® TEDEA-HUNTLEIGH®
3410
- ARTECH®
30210

Specifications

Full Scale Output:
3.0 mV/V

Bridge Resistance:
350 ohm, nominal

Material/Finish:
High-alloy steel, nickel plated

Temperature:
Compensated:
14 °F to 104 °F (-10 °C to 40 °C)
Operating:
0 °F to 150 °F (-18 °C to 65 °C)

Seal Type:
Environmentally sealed, IP67

Safe Overload:
150% full scale

Safe Sideload:
100% full scale

Rated Excitation:
5 to 10 VDC (15 V maximum)

Combined Error:
0.02% full scale

Insulation Resistance:
5,000 megohm

Deflection at Capacity:
1,000 lb: 0.013 in
2,000 to 2,500 lb: 0.015 in
4,000 to 5,000 lb: 0.025 in

Cable Length:
20 ft

Cable Diameter:
0.200 in
Polyurethane jacket

Cable Color Code:
Red +Excitation
Black -Excitation
Green +Signal
White -Signal

Warranty:
Two-year limited

Approvals:
NTEP 98-043
cFMus

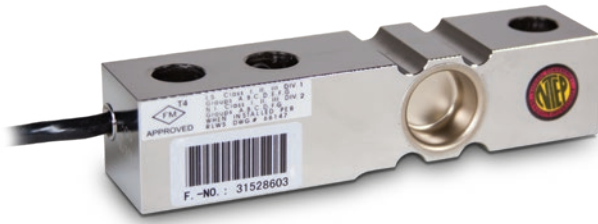
LOAD CELLS /
WEIGH MODULES

RLH35

Stainless Steel, Welded Seal, NTEP Certified 1:5,000 Class III L Multiple Cell, IP67



LOAD CELLS / WEIGH MODULES



Picture is a representation of actual product.

Approvals

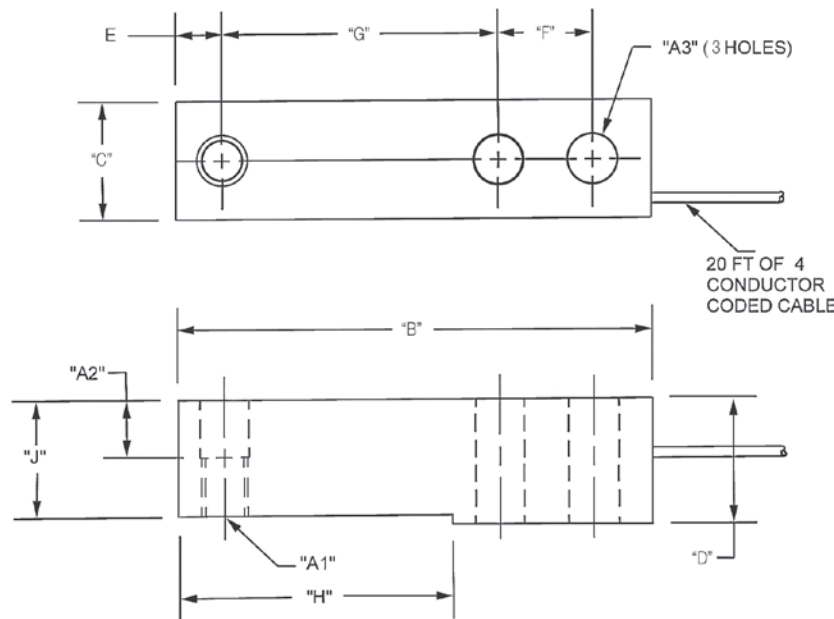


Order Information

Load Rating	Part #	Est. Weight	Price
500 lb	106038	4 lb	Consult

Dimensions

Rated Capacity	A1	A2	A3	C	D	B	E	F	G	H	J
500 lb/in	1/2-20 UNF	0.62	0.53	1.21	1.19	5.12	0.50	1.00	3.00	2.85	1.120



Interchangeable Products

- HBK®
- H35**
- METTLER TOLEDO®
- 500 lb-8 ft cable**
- TB601019-008
- 1,000 lb-20 ft cable**
- TB601016-020
- 2,500 lb-8 ft cable**
- TB601016-008

Specifications

- Full Scale Output:**
3.0 mV/V
- Output Resistance:**
350 ohm, nominal
- Input Resistance:**
385 ohm, nominal
- Material/Finish:**
Stainless steel
- Temperature:**
Compensated:
14 °F to 104 °F (-10 °C to 40 °C)
Operating:
0 °F to 150 °F (-18 °C to 65 °C)
- Seal Type:**
Welded-seal, IP67
- Safe Overload:**
150% full scale
- Rated Excitation:**
5 to 10 VDC (15 V maximum)
- Combined Error:**
0.02% full scale
- Insulation Resistance:**
5,000 megohm
- Deflection at Capacity:**
0.02 in
- Cable Length:**
20 ft
- Cable Diameter:**
0.190 in
Polyurethane jacket
- Cable Color Code:**
Green +Excitation
Black -Excitation
White +Signal
Red -Signal
Yellow Shield
- Warranty:**
Two-year limited
- Approvals:**
NTEP 06-023
FM



Picture is a representation of actual product.

Approvals



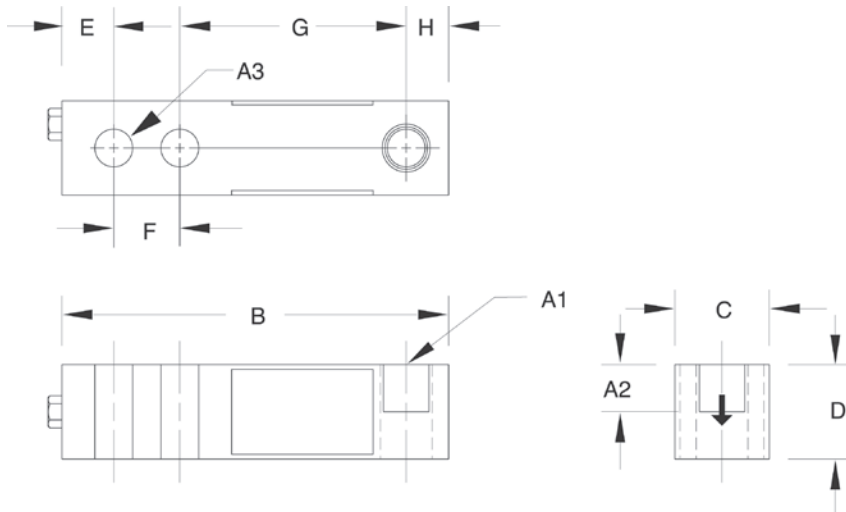
Order Information

Load Rating	Part #	Est. Weight	Price
20 ft Cables			
250 lb	17386	3 lb	Consult
500 lb	17387	3 lb	Consult
1,000 lb	17189	3 lb	Consult
2,500 lb	17191	3 lb	Consult
4,000 lb	17193	3 lb	Consult
5,000 lb	17194	5 lb	Consult
10,000 lb	17195	5 lb	Consult
30 ft Cables			
4,000 lb	95562	3 lb	Consult
Conduit Adapter Kit (must be factory installed to maintain warranty)			
3/8-24 nipple	31533*	1 lb	Consult
3/8-24 to 1/4-18NPT	31534*	1 lb	Consult

* PN 31533 and PN 31534 must be installed together to form the Conduit Adapter Kit

Dimensions

Rated Capacity	A1	A2	A3	B	C	D	E	F	G	H
lb/in										
250 to 4,000	1/2-20 UNF	0.60	0.53	5.12	1.25	1.25	0.62	1.00	3.00	0.50
5,000 to 10,000	3/4-16 UNF	0.75	0.78	6.75	1.50	1.50	0.75	1.50	3.75	0.75



Interchangeable Products

VPG® REVERE

9123

ARTECH®

SS30310

Weigh Module Available

RICE LAKE WEIGHING SYSTEMS

RL50210TA

RICE LAKE WEIGHING SYSTEMS

RL1800 Series

Specifications

Full Scale Output:

3.0 mV/V

Output Resistance:

349 to 355 ohm

Input Resistance:

343 to 357 ohm

Material/Finish:

Stainless steel

Temperature:

Operating:
0 °F to 150 °F (-18 °C to 65 °C)

Seal Type:

Environmentally sealed, IP67

Safe Overload:

150% full scale

Safe Sideload:

100% full scale

Rated Excitation:

5 to 10 VDC (15 V maximum)

Nonlinearity:

0.03% full scale

Hysteresis:

0.02% full scale

Insulation Resistance:

5,000 megohm

Deflection at Capacity:

250 to 1,000 lb: 0.013 in
2,000 to 3,000 lb: 0.015 in
4,000 to 5,000 lb: 0.025 in
10,000 lb: 0.32 in

Cable Length:

20 ft
30 ft

Cable Diameter:

0.200 in
Polyurethane jacket

Cable Color Code:

Red +Excitation
Black -Excitation
Green +Signal
White -Signal

Warranty:

Two-year limited

Approvals:

cFMus

SINGLE-ENDED BEAM
RL32018S-T

Stainless Steel, Hermetically Sealed, NTEP Certified, 1:5,000 Class III Multiple Cell, IP69K

LOAD CELLS /
 WEIGH MODULES



Picture is a representation of actual product.

Approvals

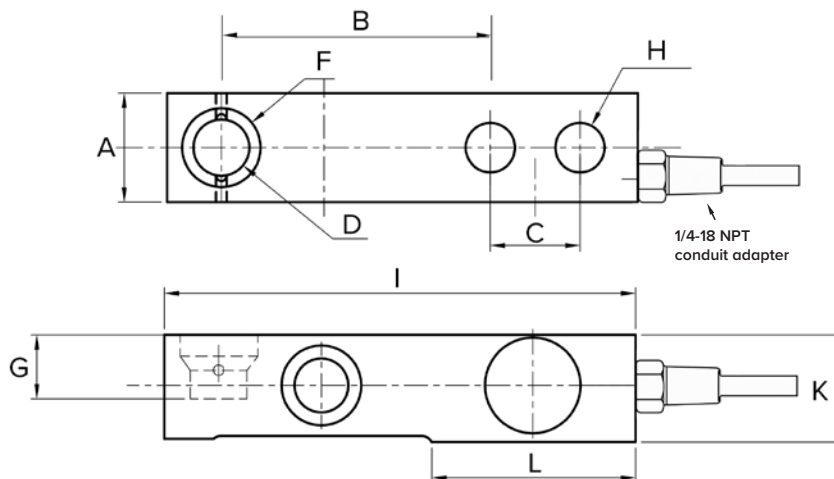


Order Information

Load Rating	Part #	Est. Weight	Price
15 ft Cable			
500 lb	189189	3 lb	Consult
1,250 lb	189190	3 lb	Consult
2,500 lb	189191	3 lb	Consult
5,000 lb	189192	5 lb	Consult
10,000 lb	189193	5 lb	Consult
30 ft Cable			
500 lb	191974	3 lb	Consult
1,250 lb	191975	3 lb	Consult
2,500 lb	191976	3 lb	Consult
5,000 lb	191977	5 lb	Consult
10,000 lb	191978	5 lb	Consult
Replacement load pins			
Rocker pin 500 to 2.5 K	108612	1 lb	Consult
Rocker pin 5 K	130408	1 lb	Consult
Rocker pin 10 K	131376	1 lb	Consult
O-ring (two per pin)	108202	1 lb	Consult

Dimensions

Rated Capacity	A	B	C	D	F	G	H	I	K	L
500 to 1,250	1.21	3.00	1.00	0.62	0.88	0.68	0.51	5.25	1.19	2.27
2,500	1.21	3.00	1.00	0.62	0.88	0.68	0.51	5.25	1.19	2.27
5,000	1.44	3.00	1.00	0.62	0.88	0.90	0.51	5.38	1.44	2.28
10,000	1.69	3.75	1.50	0.88	1.38	1.15	0.76	6.75	1.69	2.91



Interchangeable Products

- METTLER TOLEDO®
TB600529-500 lb
- METTLER TOLEDO
TB600363-1,250 lb
- METTLER TOLEDO
TB600342-2,500 lb
- METTLER TOLEDO
TB600343-5,000 lb
- METTLER TOLEDO
TB600364-10,000 lb
- HBK®
THC

Weigh Module Available

RICE LAKE WEIGHING SYSTEMS
RLTM

Specifications

- Full Scale Output:**
 2.0 mV/V ± 0.05%
 mV/V/ohm calibration
- Output Resistance:**
 350 (± 3) ohm
- Input Resistance:**
 400 (± 20) ohm
- Material/Finish:**
 Stainless steel
- Temperature:**
 Compensated:
 14 °F to 104 °F (-10 °C to 40 °C)
 Operating:
 0 °F to 150 °F (-18 °C to 65 °C)
- Seal Type:**
 Hermetically sealed, IP69K
- Safe Overload:**
 150% full scale
- Rated Excitation:**
 5 to 10 VDC
- Combined Error:**
 0.017% full scale
- Insulation Resistance:**
 5,000 megohm
- Cable Length:**
 15 ft
 30 ft
- Cable Color Code:**
 Green +Excitation
 Black -Excitation
 White +Signal
 Red -Signal
 Shield is attached to element
- Warranty:**
 Two-year limited
- Approvals:**
 NTEP 18-106
 cFMus



Picture is a representation of actual product.

Approvals

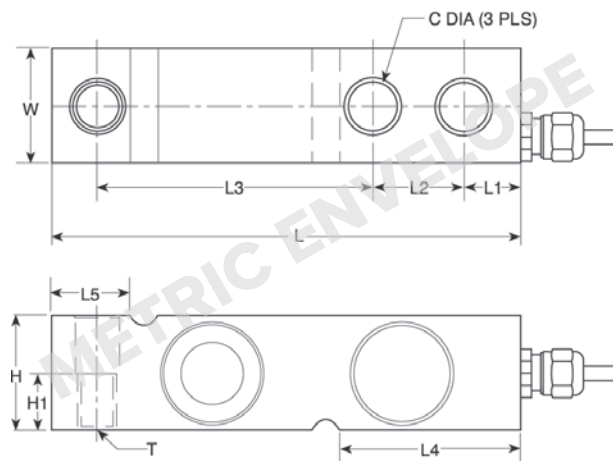


Order Information

Load Rating	Part #	Est. Weight	Price
500 kg	31253	3 lb	Consult
1,000 kg	31250	3 lb	Consult
2,000 kg	31251	3 lb	Consult
5,000 kg	31252	5 lb	Consult

Dimensions

Rated Capacity	C	H	H1	L	L1	L2	L3	L4	L5	T	W
kg/mm											
500 to 2,000	13.5	32.0	16.0	130.0	15.8	25.4	76.2	50.5	23.5	M12 x 1.75	32.0
5,000	20.5	48.0	—	171.5	19.0	38.1	95.3	70.0	37.0	—	36.5



Interchangeable Products

VPG® TEDEA-HUNTLEIGH®
3510-OIML

Weigh Module Available

RICE LAKE WEIGHING SYSTEMS
1700 HE

Specifications

Full Scale Output:

2.0 mV/V

Output Resistance:

350 (± 3) ohm

Input Resistance:

380 (± 10) ohm

Material/Finish:

Stainless steel

Temperature:

Operating:
0 °F to 150 °F (-18 °C to 65 °C)

Seal Type:

Hermetically sealed, IP66/68

Safe Overload:

150% full scale

Safe Sideload:

100% full scale

Rated Excitation:

5 to 10 VDC (15 V maximum)

Combined Error:

0.02% applied load

Insulation Resistance:

2,000 megohm

Deflection at Capacity:

0.4 mm

Cable Length:

5 m

Cable Diameter:

5 mm

Polyurethane jacket

Cable Color Code:

Blue +Excitation
Black -Excitation
White +Signal
Red - Signal
Green +Sense
Grey -Sense

Warranty:

Two-year limited

Approvals:

OIML
cFMus

RLSSB

Stainless Steel, Welded Seal, NTEP Certified 1:5,000 Class III Multiple Cell, IP67

LOAD CELLS /
WEIGH MODULES



Picture is a representation of actual product.

Approvals

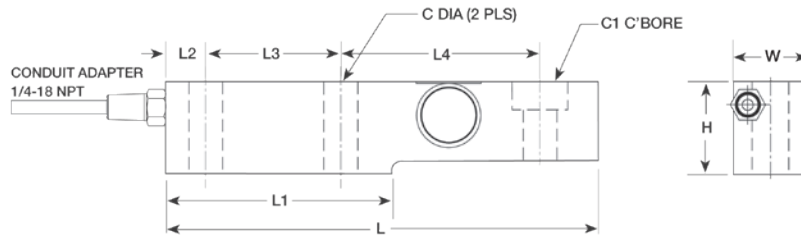


Order Information

Load Rating	Part #	Est. Weight	Price
1,000 lb	34310	5 lb	Consult
2,000 lb	34311	5 lb	Consult
5,000 lb	34312	6 lb	Consult
10,000 lb	34313	10 lb	Consult
Options			
Load cell button (1 K to 5 K)	26112	—	Consult

Dimensions

Rated Capacity	C	C1	H	L	L1	L2	L3	L4	W
lb/in									
1,000 to 5,000	0.53	0.68 thru C'Bore 1.19 x 0.47 DP	1.88	8.00	4.00	0.75	2.50	3.88	1.44
10,000	0.88	1.00 thru C'Bore 1.63 x 0.62 DP	2.75	9.25	4.62	0.81	2.63	4.88	1.88



Interchangeable Products

ARTECH®
SS30610

Weigh Module Available

RICE LAKE WEIGHING SYSTEMS
RL1900 Series

Specifications

Full Scale Output:

2.0 mV/V

Bridge Resistance:

350 ohm, nominal

Material/Finish:

Stainless steel

Temperature:

Compensated:
14 °F to 104 °F (-10 °C to 40 °C)
Operating:
0 °F to 150 °F (-18 °C to 65 °C)

Seal Type:

Welded-seal, IP67

Safe Overload:

150% full scale

Safe Sideload:

100% full scale

Rated Excitation:

5 to 10 VDC (15 V maximum)

Combined Error:

0.02% full scale

Non-repeatability:

0.01% full scale

Insulation Resistance:

5,000 megohm

Cable Length:

15 ft

Cable Diameter:

0.200 in
Polyurethane jacket

Cable Color Code:

Green +Excitation
Black -Excitation
White +Signal
Red -Signal

Warranty:

Two-year limited

Approvals:

NTEP 96-053
cFMus

RLSB250/RLSB250T

Stainless Steel, Welded Seal, NTEP Certified 1:5,000 Class III Multiple Cell, IP67



PN 116084

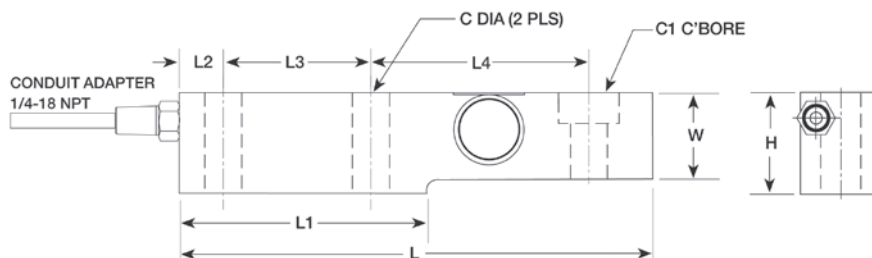
Picture is a representation of actual product.

Approvals**Order Information**

Load Rating	Part #	Est. Weight	Price
Threaded			
2,500 lb	116053	6 lb	Consult
5,000 lb	116054	6 lb	Consult
Thru Hole			
2,500 lb	34482	6 lb	Consult
10,000 lb	116055	10 lb	Consult
Options			
Load cell button	116084	—	Consult

Dimensions

Rated Capacity	C	C1	H	L	L1	L2	L3	L4	T	W
lb/in										
2,500	0.53	1.19 x 0.47 DP	1.93	8.00	4.00	0.75	2.50	3.88	3/4-16 UNF	1.25
5,000	0.53	1.19 x 0.47 DP	1.93	8.00	4.00	0.75	2.50	3.88	3/4-16 UNF	1.45
10,000	—	1.63 x 0.62 DP	2.46	9.00	4.00	0.75	2.00	5.25	—	1.62

**Interchangeable Products**

CARDINAL®
SB2500*
 *No threads in load hole

Specifications

Full Scale Output:
2.0 mV/V

Bridge Resistance:
350 ohm, nominal

Material/Finish:
Stainless steel

Temperature:
 Compensated:
 14 °F to 104 °F (-10 °C to 40 °C)
 Operating:
 0 °F to 150 °F (-18 °C to 65 °C)

Seal Type:
Welded-seal, IP67

Safe Overload:
150% full scale

Safe Sideload:
100% full scale

Rated Excitation:
5 to 10 VDC (15 V maximum)

Combined Error:
0.02% full scale

Non-repeatability:
0.01% full scale

Insulation Resistance:
5,000 megohm

Cable Length:
20 ft
PN 34482: 15 ft

Cable Diameter:
0.200 in
Polyurethane jacket

Cable Color Code:
 Green +Excitation
 Black -Excitation
 White +Signal
 Red -Signal

Warranty:
Two-year limited

Approvals:
NTEP 96-053
cFMus

SINGLE-ENDED BEAM
RL50219SS

Stainless Steel, Environmentally Sealed, IP65

LOAD CELLS /
 WEIGH MODULES



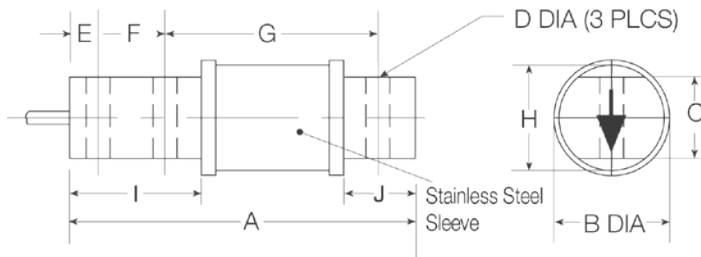
Picture is a representation of actual product.

Order Information

Load Rating	Part #	Est. Weight	Price
25 lb	194014	2 lb	Consult
50 lb	194015	2 lb	Consult
75 lb	194016	2 lb	Consult
100 lb	194017	2 lb	Consult
150 lb	194018	2 lb	Consult
250 lb	194019	2 lb	Consult
500 lb	194020	2 lb	Consult

Dimensions

Rated Capacity	A	B	C	D	E	F	G	H	I	J
lb/in										
25 to 500	2.81	1.26	0.62	0.26	0.25	0.50	1.81	0.90	1.00	0.50



Interchangeable Products

RICE LAKE WEIGHING SYSTEMS
RL60040SST

Weigh Module Available

RICE LAKE WEIGHING SYSTEMS
RL50219SS-TA

Specifications

- Full Scale Output:**
3.0 mV/V
- Output Resistance:**
350 (± 3) ohm
- Input Resistance:**
380 to 450 ohm
- Material/Finish:**
Stainless steel
- Temperature:**
Operating:
0 °F to 150 °F (-18 °C to 65 °C)
- Seal Type:**
Environmentally sealed, IP65
- Safe Overload:**
150% full scale
- Rated Excitation:**
5 to 10 VDC
- Nonlinearity:**
0.03% full scale
- Hysteresis:**
0.02% full scale
- Combined Error:**
0.017% full scale
- Insulation Resistance:**
5,000 megohm
- Cable Length:**
20 ft
- Cable Color Code:**
Red +Excitation
Black -Excitation
Green +Signal
White -Signal
- Warranty:**
Two-year limited

NEW

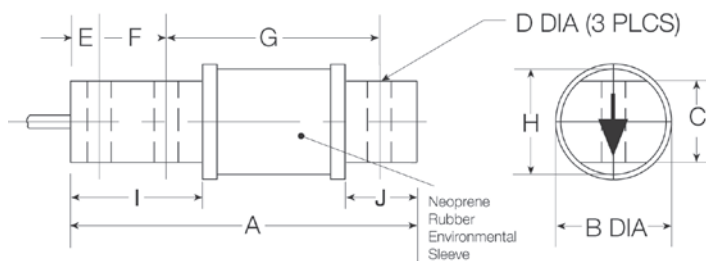
Picture is a representation of actual product.

Approvals**Order Information**

Load Rating	Part #	Est. Weight	Price
25 lb	226878	2 lb	Consult
50 lb	226879	2 lb	Consult
100 lb	226880	2 lb	Consult
150 lb	226881	2 lb	Consult
250 lb	226882	2 lb	Consult
500 lb	226883	2 lb	Consult

Dimensions

Rated Capacity	A	B	C	D	E	F	G	H	I	J
lb/in										
25 to 500	2.81	1.26	0.62	0.26	0.25	0.50	1.81	0.90	1.00	0.50

**Interchangeable Products**

RICE LAKE WEIGHING SYSTEMS

RL50210

RICE LAKE WEIGHING SYSTEMS

RL50219SS

VPG® SENSORTRONICS®

60040

ARTECH®

50210

VPG® REVERE

5503**Weigh Module Available**

RICE LAKE WEIGHING SYSTEMS

RL50210TA**Specifications****Full Scale Output:**

3.0 mV/V

Output Resistance:

300 ohm

Input Resistance:

360 to 450 ohm

Material/Finish:

Alloy steel, nickel plated

Temperature:Operating:
0 °F to 150 °F (-18 °C to 65 °C)**Seal Type:**

Environmentally sealed, IP65

Safe Overload:

150% full scale

Rated Excitation:

5 to 10 VDC (15 V maximum)

Nonlinearity:

0.03% full scale

Hysteresis:

0.02% full scale

Insulation Resistance:

5,000 megohm

Deflection at Capacity:25 to 50 lb: 0.008 in
100 lb: 0.010 in
150 lb: 0.012 in
250 lb: 0.016 in
500 lb: 0.025 in**Cable Length:**

20 ft

Cable Diameter:0.200 in
Polyurethane jacket**Cable Color Code:**Red +Excitation
Black -Excitation
Green +Signal
White -Signal**Warranty:**

Two-year limited

Approvals:

cFMus

RL50210

Alloy Steel, Environmentally Sealed, IP65



Picture is a representation of actual product.

Approvals

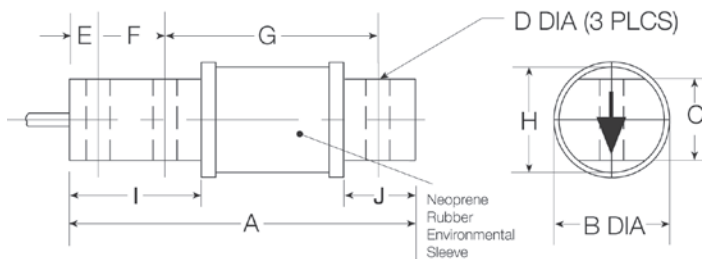


Order Information

Load Rating	Part #	Est. Weight	Price
25 lb	17385	2 lb	Consult
50 lb	17380	2 lb	Consult
100 lb	17381	2 lb	Consult
150 lb	17382	2 lb	Consult
250 lb	17383	2 lb	Consult
500 lb	17384	2 lb	Consult

Dimensions

Rated Capacity	A	B	C	D	E	F	G	H	I	J
lb/in										
25 to 500	2.81	1.30	0.62	0.26	0.25	0.50	1.81	1.00	1.00	0.50



Interchangeable Products

RICE LAKE WEIGHING SYSTEMS

RL50219SS

VPG® SENSORTRONICS®

60040

ARTECH®

50210

VPG® REVERE

5503

Weigh Module Available

RICE LAKE WEIGHING SYSTEMS

RL50210TA

Specifications

Full Scale Output:

3.0 mV/V

Output Resistance:

349 to 355 ohm

Input Resistance:

360 to 450 ohm

Material/Finish:

High-alloy steel, nickel plated

Temperature:

Operating:

0 °F to 150 °F (-18 °C to 65 °C)

Seal Type:

Environmentally sealed with neoprene sleeve, IP65

Safe Overload:

150% full scale

Rated Excitation:

5 to 10 VDC (15 V maximum)

Nonlinearity:

0.03% full scale

Hysteresis:

0.02% full scale

Insulation Resistance:

5,000 megohm

Deflection at Capacity:

25 to 50 lb: 0.008 in

100 lb: 0.010 in

150 lb: 0.012 in

250 lb: 0.016 in

500 lb: 0.025 in

Cable Length:

20 ft

Cable Diameter:

0.200 in

Polyurethane jacket

Cable Color Code:

Red +Excitation

Black -Excitation

Green +Signal

White -Signal

Warranty:

Two-year limited

Approvals:

cFMus



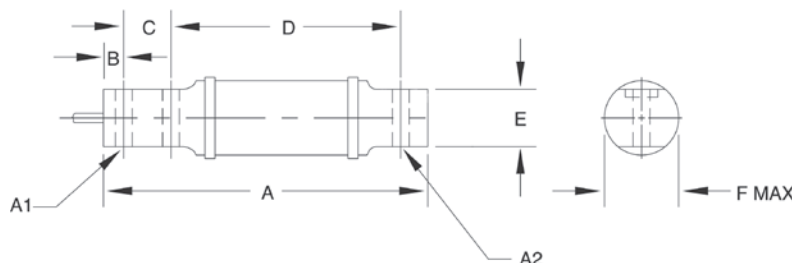
Picture is a representation of actual product.

Order Information

Load Rating	Part #	Est. Weight	Price
50 lb	17395	3 lb	Consult
100 lb	17343	3 lb	Consult
200 lb	17396	3 lb	Consult
250 lb	17397	3 lb	Consult
500 lb	17398	3 lb	Consult
1,000 lb	17344	3 lb	Consult
2,500 lb	17345	9 lb	Consult

Dimensions

Rated Capacity	A	A1	A2	B	C	D	E	F	G	H
lb/in										
50 to 100	6.00	0.31	0.31	0.38	0.88	4.25	1.06	1.41	—	—
200 to 1,000	6.62	0.52	0.52	0.50	1.12	4.25	1.06	1.41	—	—
2,500	11.38	0.53	0.62	0.50	1.75	8.25	1.25	2.19	1.19	0.12



Interchangeable Products

HBK®
BBS
 VPG® SENSORTRONICS®
65087
 FAIRBANKS®
3-481XX-1
 FAIRBANKS
3-48660-1
 ARTECH®
40310

Specifications

Full Scale Output:

2.0 mV/V

Output Resistance:

750 (± 10) ohm

Input Resistance:

800 (±50) ohm

Material/Finish:

High-alloy steel, nickel plated

Temperature:

Operating:
 0 °F to 150 °F (-18 °C to 65 °C)

Seal Type:

Environmentally sealed with neoprene sleeve, IP65

Safe Overload:

150% full scale

Rated Excitation:

5 to 10 VDC (15 V maximum)

Nonlinearity:

0.03% full scale

Hysteresis:

0.02% full scale

Insulation Resistance:

5,000 megohm

Deflection at Capacity:

50 lb: 0.015 in
 100 lb: 0.005 in
 200 to 250 lb: 0.030 in
 500 lb: 0.025 in
 1,000 lb: 0.040 in
 2,500 lb: 0.120 in

Cable Length:

10 ft

Cable Diameter:

0.200 in
 Polyurethane jacket

Cable Color Code:

Green +Excitation
 Black -Excitation
 White +Signal
 Red -Signal

Warranty:

Two-year limited

RL32011WB-L

Stainless Steel, Environmentally Sealed, NTEP Certified 1:5,000 Class III Multiple Cell, Potted, IP67



Picture is a representation of actual product.

Approvals

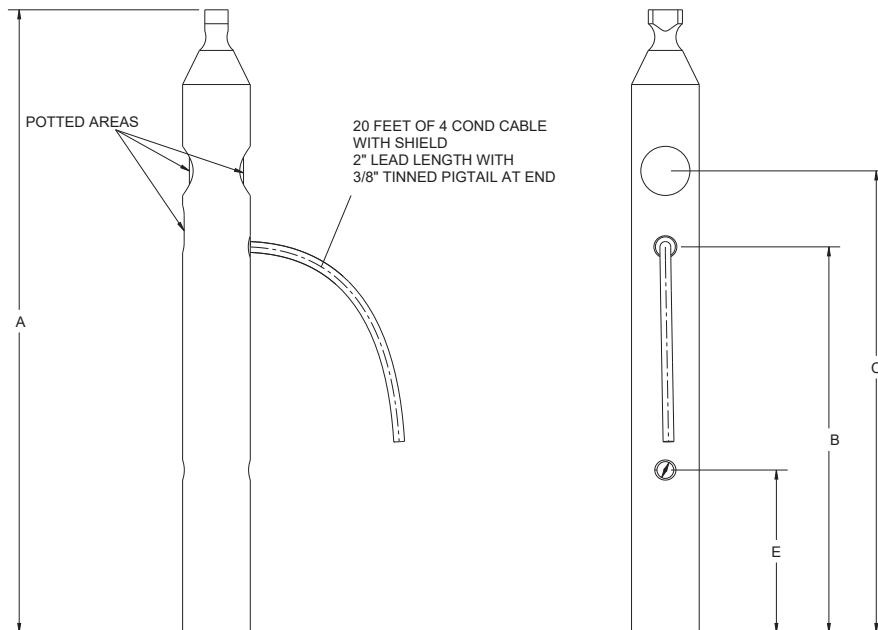
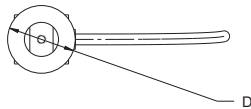


Order Information

Load Rating	Part #	Est. Weight	Price
1,250 lb	119788	5 lb	Consult
5,000 lb	119790	9 lb	Consult
10,000 lb	119791	17 lb	Consult

Dimensions

Rated Capacity lb/in	A	B	C	D	E
1,250	11.50	7.12	8.52	1.25	3.0
5,000	10.9	5.5	7.4	2.0	3.0
10,000	12.6	5.9	8.0	2.5	3.0



Interchangeable Products

AVERY WEIGH TRONIX®
Weigh Bar

Specifications

- Full Scale Output:**
2.0 (± 0.1%) mV/V
- Output Resistance:**
350 (± 3) ohm
- Input Resistance:**
385 (± 10) ohm
- Material/Finish:**
Stainless steel
- Temperature:**
Compensated:
14 °F to 104 °F (-10 °C to 40 °C)
Operating:
0 °F to 150 °F (-18 °C to 65 °C)
- Seal Type:**
Environmentally sealed, IP67
- Safe Overload:**
150% full scale
- Safe Sideload:**
100% full scale
- Rated Excitation:**
5 to 10 VDC
- Combined Error:**
0.02% full scale
- Non-repeatability:**
± 0.01% full scale
- Insulation Resistance:**
5,000 megohm
- Cable Length:**
20 ft
- Cable Diameter:**
0.190 in
Polyurethane jacket
- Cable Color Code:**
Green +Excitation
Black -Excitation
White +Signal
Red -Signal
- Warranty:**
Two-year limited
- Approvals:**
NTEP 11-024

SINGLE-ENDED BEAM
RL32011WB-T

Stainless Steel, Environmentally Sealed, NTEP Certified 1:5,000 Class III Multiple Cell, Potted, IP67

LOAD CELLS / WEIGH MODULES



Picture is a representation of actual product.

Approvals

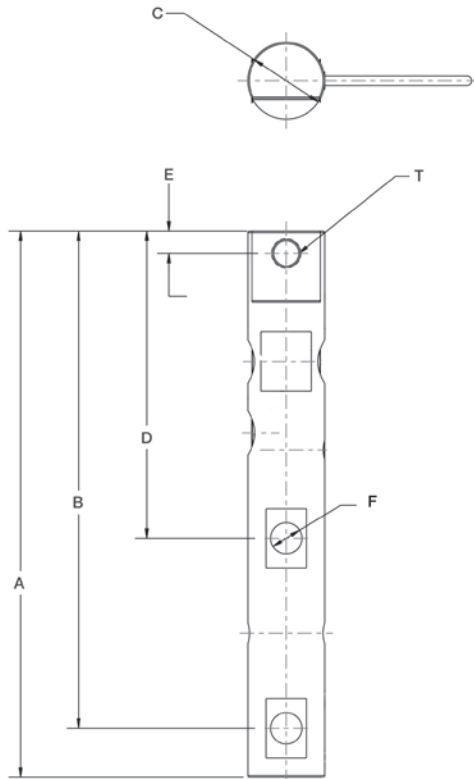


Order Information

Load Rating	Part #	Est. Weight	Price
1,250 lb	119796	3 lb	Consult
2,500 lb	119797	3 lb	Consult

Dimensions

Rated Capacity lb/in	A	B	C	D	E	F	T
1,250	11.50	10.47	1.25	6.47	0.47	0.53	1/2-13 UNC
2,500	11.50	10.47	1.62	6.47	0.47	0.66	5/8-11 UNC



Interchangeable Products

AVERY WEIGH TRONIX®
Weigh Bar

Specifications

Full Scale Output:

2.0 (± 0.1%) mV/V

Output Resistance:

350 (± 3) ohm

Input Resistance:

385 (± 10) ohm

Material/Finish:

Stainless steel

Temperature:

Compensated:
 14 °F to 104 °F (-10 °C to 40 °C)

Operating:

0 °F to 150 °F (-18 °C to 65 °C)

Seal Type:

Environmentally sealed, IP67

Safe Overload:

150% full scale

Safe Sideload:

100% full scale

Rated Excitation:

5 to 10 VDC

Combined Error:

0.02% full scale

Non-repeatability:

± 0.01% full scale

Insulation Resistance:

5,000 megohm

Cable Length:

20 ft

Cable Diameter:

0.190 in
 Polyurethane jacket

Cable Color Code:

Green +Excitation
 Black -Excitation
 White +Signal
 Red -Signal

Warranty:

Two-year limited

Approvals:

NTEP 11-024

RL72020

Alloy Steel, Environmentally Sealed, NTEP Certified 1:5,000 Class III/1:10,000 Class IIIIL Multiple Cell, IP67

LOAD CELLS /
WEIGH MODULES



Picture is a representation of actual product.

Approvals

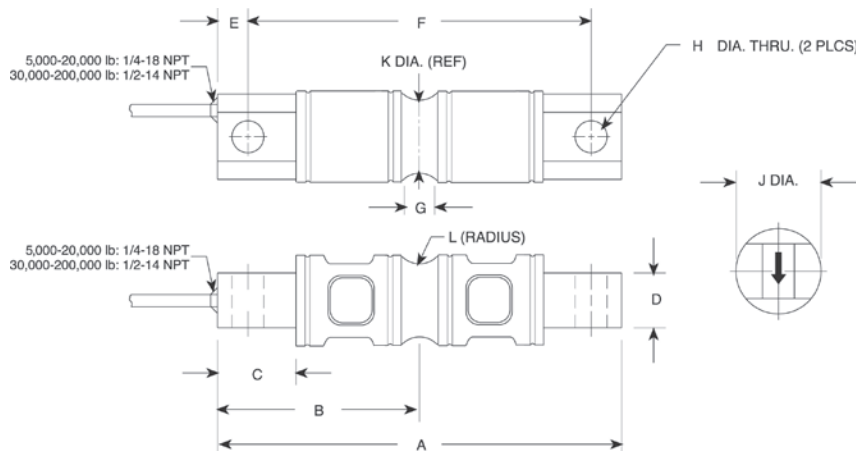


Order Information

Load Rating	Part #	Est. Weight	Price
NTEP			
5,000 lb	201758	5 lb	Consult
10,000 lb	201759	6 lb	Consult
20,000 lb	201760	7 lb	Consult
30,000 lb	201761	18 lb	Consult
40,000 lb	201762	18 lb	Consult
50,000 lb	201763	18 lb	Consult
60,000 lb	201764	18 lb	Consult
100,000 lb	201765	28 lb	Consult
150,000 lb	201766	34 lb	Consult
200,000 lb	201767	90 lb	Consult
Non-NTEP			
250,000 lb	201768	93 lb	Consult

Dimensions

Rated Capacity	A	B	C	D	E	F	G	H	J	K	L
lb/in											
5,000 to 10,000	8.12	4.06	1.44	1.12	0.62	6.88	0.62	0.66	1.70	1.48	0.50
20,000	8.12	4.06	1.44	1.12	0.62	6.88	0.84	0.66	1.95	1.48	0.50
30,000 to 60,000	10.25	5.12	1.88	2.37	0.88	8.50	1.00	1.06	3.20	2.73	1.00
100,000	11.25	5.62	1.88	2.50	0.88	9.50	1.00	1.06	3.50	3.24	1.50
150,000	11.25	5.62	1.88	2.80	0.88	9.50	1.25	1.06	3.90	3.64	1.50
200,000 to 250,000	16.10	8.05	3.05	4.60	1.55	13.00	1.30	1.56	5.38	5.17	2.00



Interchangeable Products

VPG® REVERE

5103*

ARTECH®

70210

METTLER-TOLEDO®

SLD 430

*Conduit adapter optional

Weigh Module Available

RICE LAKE WEIGHING SYSTEMS

EZ Mount 1

Specifications

Full Scale Output:

3.0 mV/V

Output Resistance:

700 (± 5) ohm

Input Resistance:

5 to 10 k: 700 (± 14) ohm
20 to 150 k: 770 (± 10) ohm
200 to 250 k: 700 (± 14) ohm

Material/Finish:

High-alloy steel, nickel plated

Temperature:

Compensated:
14 °F to 104 °F (-10 °C to 40 °C)
Operating:
0 °F to 150 °F (-18 °C to 65 °C)

Seal Type:

Environmentally sealed, IP67

Safe Overload:

150% full scale

Safe Sideload:

100% full scale

Rated Excitation:

5 to 10 VDC (15 V maximum)

Combined Error:

0.02% full scale

Insulation Resistance:

5,000 megohm

Deflection at Capacity:

5,000 lb: 0.02 in
10,000 lb: 0.025 in
20,000 lb: 0.042 in
30,000 to 50,000 lb: 0.02 in
60,000 lb: 0.025 in
100,000 lb: 0.02 in

Cable Length:

30 ft

Cable Color Code:

Red +Excitation
Black -Excitation
Green +Signal
White -Signal

Warranty:

Two-year limited

Approvals:

NTEP 21-064
cFMus

Interchangeable Products

VPG® REVERE
9103

Weigh Module Available

RICE LAKE WEIGHING SYSTEMS
EZ Mount 1 SS

Specifications

Full Scale Output:

3.0 mV/V

Output Resistance:

700 (± 5) ohm

Input Resistance:

700 (± 10) ohm

Material/Finish:

Stainless steel

Temperature:

Operating:

14 °F to 104 °F (-10 °C to 40 °C)

Seal Type:

Environmentally sealed, IP67

Safe Overload:

150% full scale

Safe Sideload:

100% full scale

Rated Excitation:

5 to 10 VDC

Combined Error:

0.02% full scale

Insulation Resistance:

5,000 megohm

Cable Length:

30 ft polyurethane jacket

Cable Color Code:

Red +Excitation
Black -Excitation
Green +Signal
White -Signal

Warranty:

Two-year limited

Approvals:

NTEP 21-064
cFMus



Picture is a representation of actual product.

Approvals

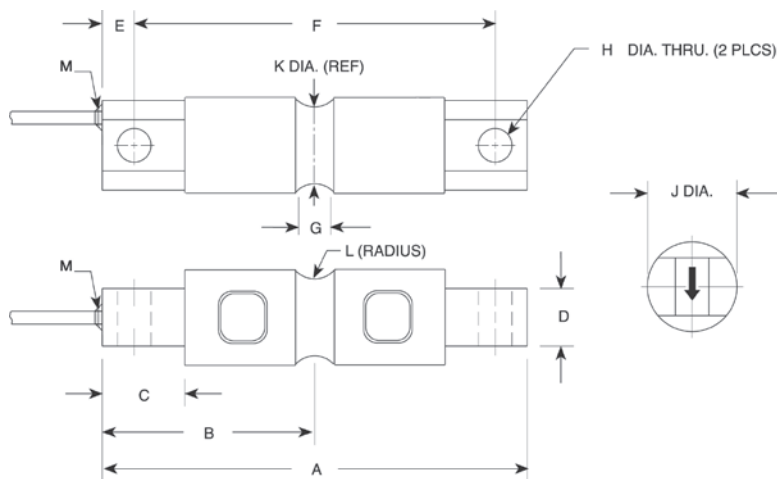


Order Information

Load Rating	Part #	Est. Weight	Price
NTEP Certified			
10,000 lb	201781	5 lb	Consult
20,000 lb	201782	7 lb	Consult
30,000 lb	201783	18 lb	Consult
40,000 lb	201784	18 lb	Consult
50,000 lb	201785	18 lb	Consult
60,000 lb	201786	18 lb	Consult
100,000 lb	201787	28 lb	Consult
Non-NTEP Certified			
5,000 lb	201780	5 lb	Consult
150,000 lb	201788	34 lb	Consult

Dimensions

Rated Capacity	A	B	C	D	E	F	G	H	J	K	L	M
lb/in												
5,000 to 10,000	8.12	4.06	1.44	1.12	0.62	6.88	0.62	0.66	1.70	1.48	0.50	1/4-18 NPT
20,000	8.12	4.06	1.44	1.12	0.62	6.88	0.84	0.66	1.95	1.48	0.50	1/4-18 NPT
30,000 to 60,000	10.25	5.12	1.88	2.37	0.88	8.50	1.00	1.06	3.20	2.73	1.00	1/2-14 NPT
100,000	11.25	5.62	1.88	2.50	0.88	9.50	1.00	1.06	3.50	3.24	1.50	1/2-14 NPT
150,000	11.25	5.62	1.88	2.80	0.88	9.50	1.25	1.06	3.90	3.64	1.50	1/2-14 NPT



RL72020 MLC Coated

Alloy Steel, Environmentally Sealed, NTEP Certified 1:5,000 Class III/1:10,000 Class IIIIL Multiple Cell, IP67

LOAD CELLS /
WEIGH MODULES



Picture is a representation of actual product.

Approvals

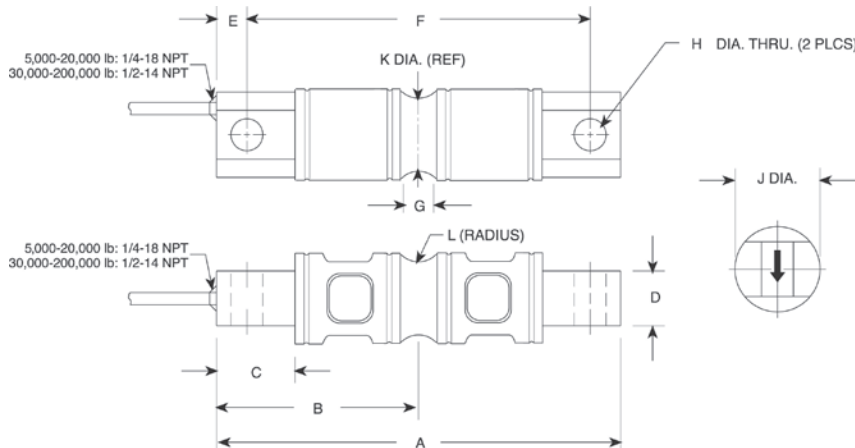


Order Information

Load Rating	Part #	Est. Weight	Price
NTEP			
5,000 lb	201769	5 lb	Consult
10,000 lb	201770	6 lb	Consult
20,000 lb	201771	7 lb	Consult
30,000 lb	201772	18 lb	Consult
40,000 lb	201773	18 lb	Consult
50,000 lb	201774	18 lb	Consult
60,000 lb	201775	18 lb	Consult
100,000 lb	201776	28 lb	Consult
150,000 lb	201777	34 lb	Consult
200,000 lb	201778	90 lb	Consult
Non-NTEP			
250,000 lb	201779	93 lb	Consult

Dimensions

Rated Capacity	A	B	C	D	E	F	G	H	J	K	L
lb/in											
5,000 to 10,000	8.12	4.06	1.44	1.12	0.62	6.88	0.62	0.66	1.70	1.48	0.50
20,000	8.12	4.06	1.44	1.12	0.62	6.88	0.84	0.66	1.95	1.48	0.50
30,000 to 60,000	10.25	5.12	1.88	2.37	0.88	8.50	1.00	1.06	3.20	2.73	1.00
100,000	11.25	5.62	1.88	2.50	0.88	9.50	1.00	1.06	3.50	3.24	1.50
150,000	11.25	5.62	1.88	2.80	0.88	9.50	1.25	1.06	3.90	3.64	1.50
200,000 to 250,000	16.10	8.05	3.05	4.60	1.55	13.00	1.30	1.56	5.38	5.17	2.00



Weigh Module Available

RICE LAKE WEIGHING SYSTEMS
EZ Mount 1

Specifications

Full Scale Output:

3.0 mV/V

Output Resistance:

700 (± 5) ohm

Input Resistance:

5,000 to 10,000 lb: 700 (± 14) ohm
20,000 to 150,000 lb: 770 (± 10) ohm
200,000 to 250,000 lb: 700 (± 14) ohm

Material/Finish:

Alloy steel, coated

Temperature:

Compensated:
14 °F to 104 °F (-10 °C to 40 °C)
Operating:
0 °F to 150 °F (-18 °C to 65 °C)

Seal Type:

Environmentally sealed, IP67

Safe Overload:

150% full scale

Safe Sideload:

100% full scale

Rated Excitation:

5 to 10 VDC (15 V maximum)

Combined Error:

0.02% full scale

Insulation Resistance:

5,000 megohm

Deflection at Capacity:

5,000 lb: 0.02 in
10,000 lb: 0.025 in
20,000 lb: 0.042 in
30,000 to 50,000 lb: 0.02 in
60,000 lb: 0.025 in
100,000 lb: 0.02 in

Cable Length:

30 ft

Cable Diameter:

5,000 to 20,000 lb: 0.200 in
30,000 to 250,000 lb: 0.305 in
Polyurethane jacket

Cable Color Code:

Red +Excitation
Black -Excitation
Green +Signal
White -Signal

Warranty:

Two-year limited

Approvals:

NTEP 21-064
cFMus



Picture is a representation of actual product.

Approvals

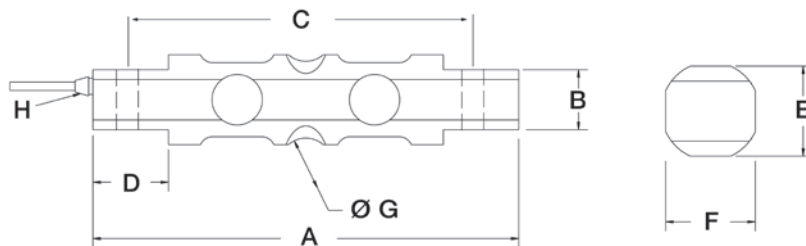


Order Information

Load Rating	Part #	Est. Weight	Price
Non-NTEP			
5,000 lb	194021	5 lb	Consult
NTEP			
10,000 lb	194022	5 lb	Consult
20,000 lb	194023	5 lb	Consult
30,000 lb	194024	20 lb	Consult
40,000 lb	194025	20 lb	Consult
50,000 lb	194026	20 lb	Consult
60,000 lb	194027	20 lb	Consult

Dimensions

Rated Capacity	A	B	C	D	E	F	ØG	H
lb/in								
5,000 to 20,000	8.12	1.14	6.88	1.44	1.71	1.71	1.00	1/4-18 NPT
30,000 to 60,000	10.25	2.38	8.50	1.88	3.03	3.03	2.00	1/2-14 NPT



Interchangeable Products

VPG® REVERE
9103

Weigh Module Available

RICE LAKE WEIGHING SYSTEMS
EZ Mount 1 HE

Specifications

Full Scale Output:
3.0 mV/V

Output Resistance:
700 (± 5) ohm

Input Resistance:
800 (± 30) ohm

Material/Finish:
Stainless steel

Temperature:
Operating:
0 °F to 150 °F (-18 °C to 65 °C)

Deflection at Capacity:
5000 lb 0.02 in
10,000 lb 0.025 in
20,000 lb 0.03 in
30,000-50,000 lb 0.02
60,000 lb 0.025 in

Seal Type:
Welded-seal, IP68

Safe Overload:
150% full scale

Rated Excitation:
5 to 10 VDC

Nonlinearity:
0.03% full scale

Hysteresis:
0.5% full scale

Insulation Resistance:
5,000 megohm

Cable Length:
25 ft

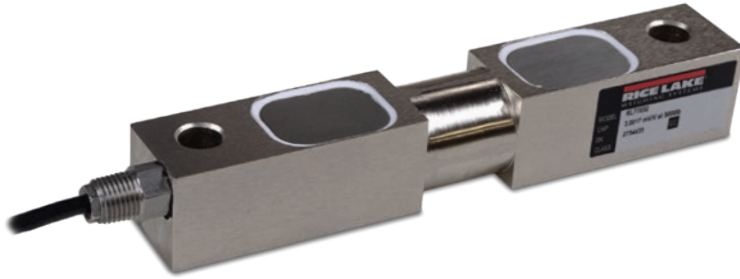
Cable Color Code:
Red +Excitation
Black -Excitation
Green +Signal
White -Signal

Warranty:
Two-year limited

Approvals:
NTEP 21-064
cFMus

RL77032

Alloy Steel, Environmentally Sealed, IP67



Picture is a representation of actual product.

Approvals

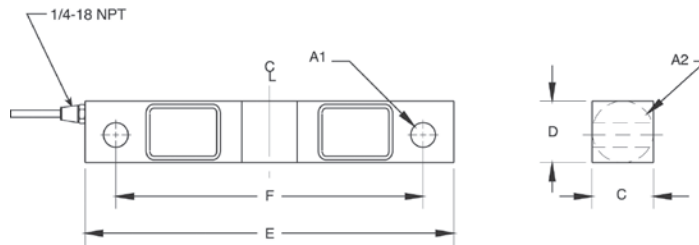


Order Information

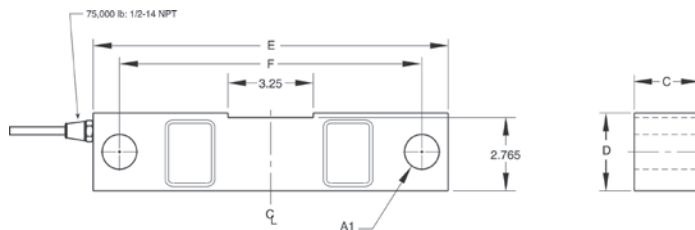
Load Rating	Part #	Est. Weight	Price
1,000 lb	221536	4 lb	Consult
1,500 lb	221537	4 lb	Consult
2,000 lb	221538	4 lb	Consult
2,500 lb	221539	4 lb	Consult
3,000 lb	221540	4 lb	Consult
5,000 lb	221541	4 lb	Consult
10,000 lb	221542	7 lb	Consult
15,000 lb	221543	7 lb	Consult
20,000 lb	221544	7 lb	Consult
25,000 lb	221545	7 lb	Consult
50,000 lb	221546	25 lb	Consult
75,000 lb	221547	27 lb	Consult

Dimensions

Rated Capacity lb/in	A1	A2	C	D	E	F
1,000 to 5,000	0.50	1.25	1.25	1.25	7.50	6.25
10,000 to 25,000	0.81	1.99	1.44	1.94	8.75	7.50
50,000	1.31	3.00	2.44	2.94	13.50	11.50
75,000	1.31	-	2.44	2.94	13.50	11.50



1,000 to 50,000 lb



75,000 lb

Interchangeable Products

RICE LAKE WEIGHING SYSTEMS
RL75016
VPG® SENSORTRONICS®
65016

Weigh Module Available

RICE LAKE WEIGHING SYSTEMS
RL1600 Series

Specifications

Full Scale Output:

3.0 mV/V

Output Resistance:

700 (± 5) ohm

Input Resistance:

770 (± 10) ohm

Material/Finish:

High-alloy steel, nickel plated

Temperature:

Operating:
0 °F to 150 °F (-18 °C to 65 °C)

Seal Type:

Environmentally sealed, IP67

Safe Overload:

150% full scale

Safe Sideload:

100% full scale

Rated Excitation:

5 to 10 VDC

Nonlinearity:

0.03% full scale

Hysteresis:

0.02% full scale

Deflection at Capacity:

1,000 to 2,500 lb: 0.01 in
5,000 lb: 0.015 in
10,000 to 20,000 lb: 0.022 in
25,000 lb: 0.036 in
50,000 lb: 0.052 in
75,000 lb: 0.07 in

Insulation Resistance:

5,000 megohm

Cable Length:

25 ft
Polyurethane jacket

Cable Color Code:

Red +Excitation
Black -Excitation
Green +Signal
White -Signal

Warranty:

Two-year limited

Approvals:

cFMus



Picture is a representation of actual product.

Approvals

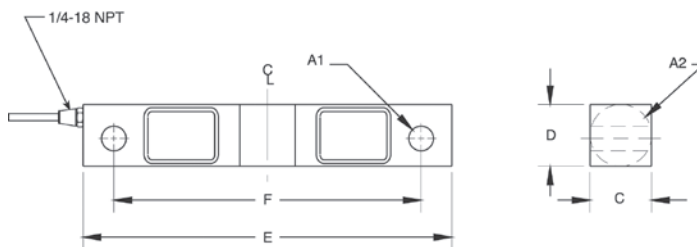


Order Information

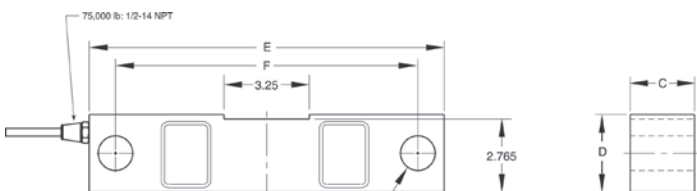
Load Rating	Part #	Est. Weight	Price
1,000 lb	221548	4 lb	Consult
1,500 lb	221549	4 lb	Consult
2,000 lb	221550	4 lb	Consult
2,500 lb	221551	4 lb	Consult
5,000 lb	221552	4 lb	Consult
10,000 lb	221553	7 lb	Consult
15,000 lb	221554	7 lb	Consult
20,000 lb	221555	7 lb	Consult
25,000 lb	221556	7 lb	Consult
50,000 lb	221557	25 lb	Consult
75,000 lb	221558	27 lb	Consult

Dimensions

Rated Capacity	A1	A2	C	D	E	F
lb/in						
1,000 to 5,000	0.50	1.25	1.25	1.25	7.50	6.25
10,000 to 25,000	0.81	1.99	1.44	1.94	8.75	7.50
50,000	1.31	3.00	2.44	2.94	13.50	11.50
75,000	1.31	-	2.44	2.94	13.50	11.50



1,000 to 50,000 lb



75,000 lb

Interchangeable Products

RICE LAKE WEIGHING SYSTEMS

RL75016SS

RICE LAKE WEIGHING SYSTEMS

RL77032SS HE

RICE LAKE WEIGHING SYSTEMS

RL75016S-W

VPG® SENSORTRONICS®

65016

Weigh Module Available

RICE LAKE WEIGHING SYSTEMS

RL1600 Series

Specifications

Full Scale Output:
3.0 mV/V

Output Resistance:
700 (± 5) ohm

Input Resistance:
770 (± 10) ohm

Material/Finish:
Stainless steel

Temperature:
Operating:
0 °F to 150 °F (-18 °C to 65 °C)

Seal Type:
Environmentally sealed, IP67

Safe Overload:
150% full scale

Safe Sideload:
100% full scale

Rated Excitation:
5 to 10 VDC

Nonlinearity:
0.07% full scale

Hysteresis:
0.02% full scale

Deflection at Capacity:
1,000 to 2,500 lb: 0.01 in
5,000 lb: 0.015 in
10,000 to 20,000 lb: 0.022 in
25,000 lb: 0.036 in
50,000 lb: 0.052 in
75,000 lb: 0.07 in

Insulation Resistance:
5,000 megohm

Cable Length:
25 ft
Polyurethane

Cable Color Code:
Red +Excitation
Black -Excitation
Green +Signal
White -Signal

Warranty:
Two-year limited

Approvals:
cFMus

RL77032SS HE

Stainless Steel, Hermetically Sealed, IP69K

LOAD CELLS /
WEIGH MODULES



Picture is a representation of actual product.

Approvals

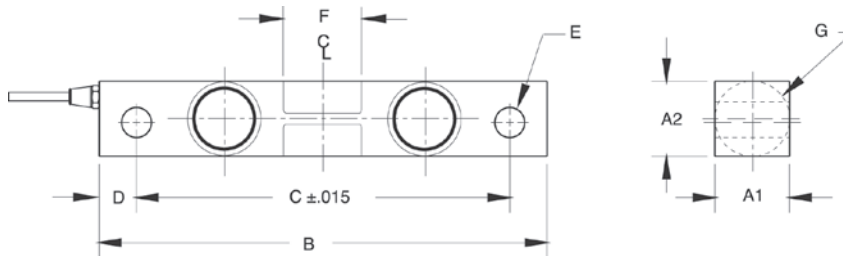


Order Information

Load Rating	Part #	Est. Weight	Price
1,000 lb	221559	4 lb	Consult
1,500 lb	221560	4 lb	Consult
2,000 lb	221561	4 lb	Consult
2,500 lb	221562	4 lb	Consult
5,000 lb	221563	4 lb	Consult
10,000 lb	221564	7 lb	Consult
15,000 lb	221565	7 lb	Consult
20,000 lb	221566	7 lb	Consult
25,000 lb	221567	7 lb	Consult

Dimensions

Rated Capacity	A1	A2	B	C	D	E	F	G	CONDUIT ADAPTER
lb/in									
1,000 to 5,000	1.22	1.22	7.50	6.25	0.62	0.50	1.12	1.25	1/4-18 NPT
10,000 to 25,000	1.44	1.94	8.75	7.50	0.62	0.81	1.62	1.99	1/4-18 NPT



Interchangeable Products

RICE LAKE WEIGHING SYSTEMS
RL75016WHE
 VPG® SENSORTRONICS®
65016WH

Weigh Module Available

RICE LAKE WEIGHING SYSTEMS
RL1600 HE Series

Specifications

Full Scale Output:

3.0 mV/V

Output Resistance:

700 (± 5) ohm

Input Resistance:

770 (± 10) ohm

Material/Finish:

Stainless steel

Temperature:

Operating:
 0 °F to 150 °F (-18 °C to 65 °C)

Seal Type:

Hermetically sealed, IP69K

Safe Overload:

150% full scale

Safe Sideload:

100% full scale

Rated Excitation:

5 to 10 VDC

Nonlinearity:

0.03% full scale

Hysteresis:

0.02% full scale

Deflection at Capacity:

1,000 lb: 0.01 in
 5,000 lb: 0.015 in
 10,000 to 20,000 lb: 0.022 in
 25,000 lb: 0.036 in
 50,000 lb: 0.052 in
 75,000 lb: 0.07 in

Insulation Resistance:

5,000 megohm

Cable Length:

25 ft
 Polyurethane jacket

Cable Color Code:

Red +Excitation
 Black -Excitation
 Green +Signal
 White -Signal

Warranty:

Two-year limited

Approvals:

cFMus

Limited Stock Available

DOUBLE-ENDED BEAM

RL75016

Alloy Steel, Environmentally Sealed, IP67

LOAD CELLS / WEIGH MODULES



Picture is a representation of actual product.

Approvals

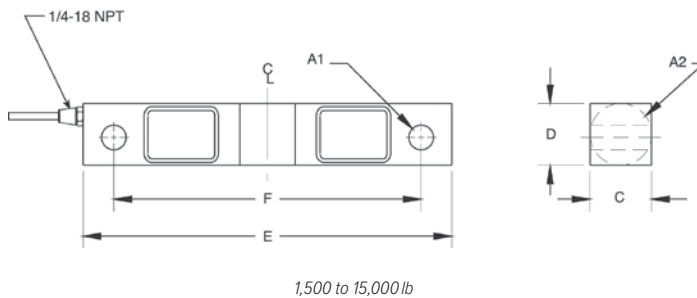


Order Information

Load Rating	Part #	Est. Weight	Price
1,500 lb	17302	4 lb	Consult
15,000 lb	17313	7 lb	Consult

Dimensions

Rated Capacity	A1	A2	C	D	E	F
lb/in						
1,500	0.50	1.25	1.25	1.25	7.50	6.25
15,000	0.81	1.99	1.44	1.94	8.75	7.50



Interchangeable Products

RICE LAKE WEIGHING SYSTEMS

RL77032

VPG® CELTRON®

DSR

VPG® SENSORTRONICS®

65016

VPG® REVERE

5203

Weigh Module Available

RICE LAKE WEIGHING SYSTEMS

RL1600 Series

Specifications

Full Scale Output:

3.0 mV/V

Output Resistance:

700 (± 5) ohm

Input Resistance:

770 (± 10) ohm

Material/Finish:

High-alloy steel, nickel plated

Temperature:

Operating:
0 °F to 150 °F (-18 °C to 65 °C)

Seal Type:

Environmentally sealed, IP67

Safe Overload:

150% full scale

Safe Sideload:

100% full scale

Rated Excitation:

5 to 10 VDC (15 V maximum)

Nonlinearity:

0.03% full scale

Hysteresis:

0.02% full scale

Insulation Resistance:

5,000 megohm

Deflection at Capacity:

1,500 lb: 0.01 in
15,000 to 20,000 lb: 0.022 in

Cable Length:

25 ft

Cable Diameter:

0.200 in
Polyurethane jacket

Cable Color Code:

Red +Excitation
Black -Excitation
Green +Signal
White -Signal

Warranty:

Two-year limited

Approvals:

cFMus

RL75016 MLC Coated

Alloy Steel, Environmentally Sealed, IP67

LOAD CELLS / WEIGH MODULES



Picture is a representation of actual product.

Approvals



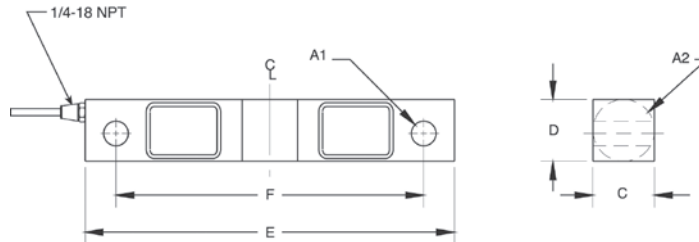
Order Information

Load Rating	Part #	Est. Weight	Price
1,000 lb	187058	4 lb	Consult
1,500 lb	187059	4 lb	Consult
2,000 lb	187060	4 lb	Consult
2,500 lb	187061	4 lb	Consult
5,000 lb	187063	4 lb	Consult
10,000 lb	187064	7 lb	Consult
15,000 lb	187065	7 lb	Consult
20,000 lb	187066	7 lb	Consult
25,000 lb	187067	7 lb	Consult
50,000 lb	187068	25 lb	Consult
75,000 lb*	187069	27 lb	Consult

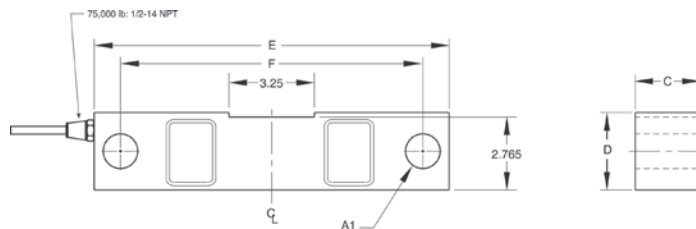
*75,000lb capacity has a square center

Dimensions

Rated Capacity	A1	A2	C	D	E	F
lb/in						
1,000 to 5,000	0.50	1.25	1.25	1.25	7.50	6.25
10,000 to 25,000	0.81	1.99	1.44	1.94	8.75	7.50
50,000	1.31	3.00	2.44	2.94	13.50	11.50
75,000	1.31	—	2.44	2.94	13.50	11.50



1,000 to 50,000 lb



75,000 lb

Weigh Module Available

RICE LAKE WEIGHING SYSTEMS
RL1600 Series

Specifications

Full Scale Output:

3.0 mV/V

Output Resistance:

700 (± 5) ohm

Input Resistance:

770 (± 10) ohm

Material/Finish:

Alloy steel, coated

Temperature:

Operating:
0 °F to 150 °F (-18 °C to 65 °C)

Seal Type:

Environmentally sealed, IP67

Safe Overload:

150% full scale

Safe Sideload:

100% full scale

Rated Excitation:

5 to 10 VDC (15 V maximum)

Nonlinearity:

0.03% full scale

Hysteresis:

0.02% full scale

Insulation Resistance:

5,000 megohm

Cable Length:

25 ft

Cable Color Code:

Red +Excitation
Black -Excitation
Green +Signal
White -Signal

Warranty:

Two-year limited

Approvals:

cFMus

Limited Stock Available

DOUBLE-ENDED BEAM RL75016SS

Stainless Steel, Environmentally Sealed, IP67



Picture is a representation of actual product.

Approvals

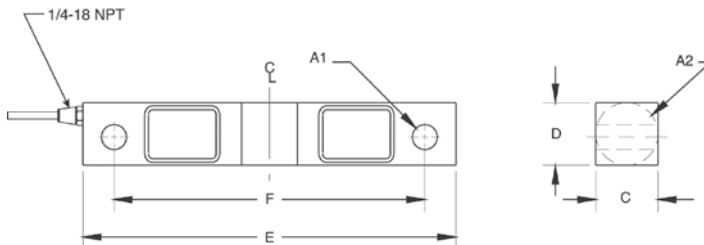


Order Information

Load Rating	Part #	Est. Weight	Price
1,500 lb	17303	4 lb	Consult
2,000 lb	17305	4 lb	Consult
25,000 lb	17318	7 lb	Consult

Dimensions

Rated Capacity lb/in	A1	A2	C	D	E	F
1,500 to 2,000	0.50	1.25	1.25	1.25	7.50	6.25
25,000	0.81	1.99	1.44	1.94	8.75	7.50



1,000 to 25,000 lb

Interchangeable Products

RICE LAKE WEIGHING SYSTEMS

RL77032SS

RICE LAKE WEIGHING SYSTEMS

RL75016WHE*

VPG® SENSORTRONICS®

65016W

VPG SENSORTRONICS

65016WH*

VPG® REVERE

9203

Weigh Module Available

RICE LAKE WEIGHING SYSTEMS

RL1600 Series

Specifications

Full Scale Output:

3.0 mV/V

Output Resistance:

700 (± 5) ohm

Input Resistance:

770 (± 10) ohm

Material/Finish:

Stainless steel

Temperature:

Operating:

0 °F to 150 °F (-18 °C to 65 °C)

Seal Type:

Environmentally sealed, IP67

Safe Overload:

150% full scale

Safe Sideload:

100% full scale

Rated Excitation:

5 to 10 VDC (15 V maximum)

Nonlinearity:

0.07% full scale

Hysteresis:

0.02% full scale

Insulation Resistance:

5,000 megohm

Deflection at Capacity:

1,500 to 2,000 lb: 0.01 in

25,000 lb: 0.036 in

Cable Length:

25 ft

Cable Diameter:

0.200 in

Polyurethane jacket

Cable Color Code:

Red +Excitation

Black -Excitation

Green +Signal

White -Signal

Warranty:

Two-year limited

Approvals:

cFMus

LOAD CELLS /
WEIGH MODULES

RL75016SS-W

Stainless Steel, Welded Seal, IP67

LOAD CELLS /
WEIGH MODULES



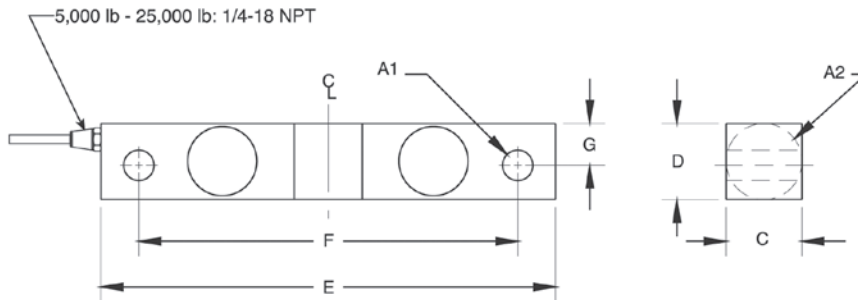
Picture is a representation of actual product.

Order Information

Load Rating	Part #	Est. Weight	Price
5,000 lb	168115	4 lb	Consult
10,000 lb	168116	7 lb	Consult
15,000 lb	168117	7 lb	Consult
20,000 lb	168118	7 lb	Consult
25,000 lb	168119	7 lb	Consult

Dimensions

Rated Capacity	A1	A2	C	D	E	F	G
lb/in							
5,000	0.50	1.25	1.25	1.25	7.50	6.25	0.69
10,000 to 25,000	0.81	1.99	1.44	1.94	8.75	7.50	0.96



Interchangeable Products

RICE LAKE WEIGHING SYSTEMS

RL77032SS HE

RICE LAKE WEIGHING SYSTEMS

RL75016SS

RICE LAKE WEIGHING SYSTEMS

RL75016WHE

Specifications

Full Scale Output:

3.0 mV/V

Output Resistance:

700 (± 5) ohm

Input Resistance:

770 (± 10) ohm

Material/Finish:

Stainless steel

Temperature:

Operating:

0 °F to 150 °F (-18 °C to 65 °C)

Seal Type:

Welded-seal, IP67

Safe Overload:

100% full scale

Rated Excitation:

5 to 10 VDC (15 V max)

Hysteresis:

0.02% full scale

Linearity:

0.03% full scale

Cable Length:

25 ft

Cable Color Code:

Red +Excitation

Black -Excitation

Green +Signal

White -Signal

Warranty:

Two-year limited

DOUBLE-ENDED BEAM
RL75016WHE

Stainless Steel, Hermetically Sealed, IP69K

Limited Stock Available



Picture is a representation of actual product.

Approvals

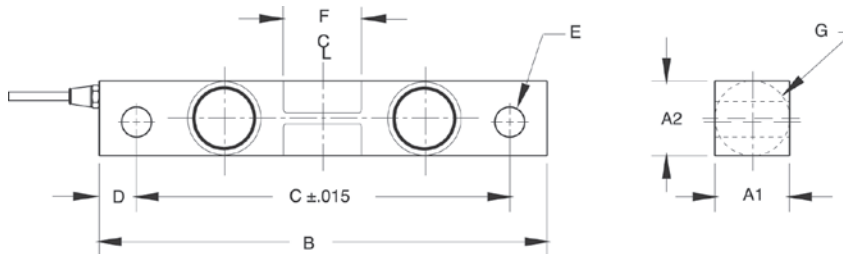


Order Information

Load Rating	Part #	Est. Weight	Price
2,000 lb	67045	4 lb	Consult
20,000 lb	67050	7 lb	Consult
25,000 lb	67051	7 lb	Consult

Dimensions

Rated Capacity	A1	A2	B	C	D	E	F	G	CONDUIT ADAPTER
lb/in									
2,000	1.22	1.22	7.50	6.25	0.62	0.50	1.12	1.25	1/2-14 NPT
20,000 to 25,000	1.44	1.94	8.75	7.50	0.62	0.81	1.62	1.99	1/2-14 NPT



Interchangeable Products

RICE LAKE WEIGHING SYSTEMS
RL77032SS HE
VPG SENSORTRONICS
65016WH

Weigh Module Available

RICE LAKE WEIGHING SYSTEMS
RL1600 Series

LOAD CELLS / WEIGH MODULES

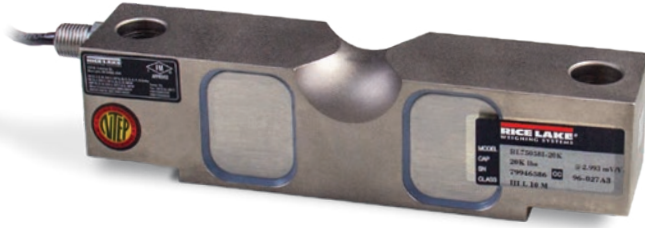
Specifications

- Full Scale Output:**
3.0 mV/V
- Output Resistance:**
699 to 707 ohm
- Input Resistance:**
686 to 714 ohm
- Material/Finish:**
Stainless steel
- Temperature:**
Operating range
0 °F to 150 °F (-18 °C to 65 °C)
- Seal Type:**
Hermetically sealed, IP69K
- Safe Overload:**
150% full scale
- Safe Sideload:**
100% full scale
- Rated Excitation:**
5 to 10 VDC (15 V maximum)
- Insulation Resistance:**
2,000 megohm
- Cable Length:**
25 ft
- Cable Diameter:**
0.200 in
Polyurethane jacket
- Cable Color Code:**
Red +Excitation
Black -Excitation
Green +Signal
White -Signal
- Warranty:**
Two-year limited
- Approvals:**
cFMus

RL75058I for Rice Lake Coil Scale

Alloy Steel, Environmentally Sealed, NTEP Certified 1:5,000 Class III Multiple Cell, IP67

LOAD CELLS /
WEIGH MODULES



Picture is a representation of actual product.

Approvals

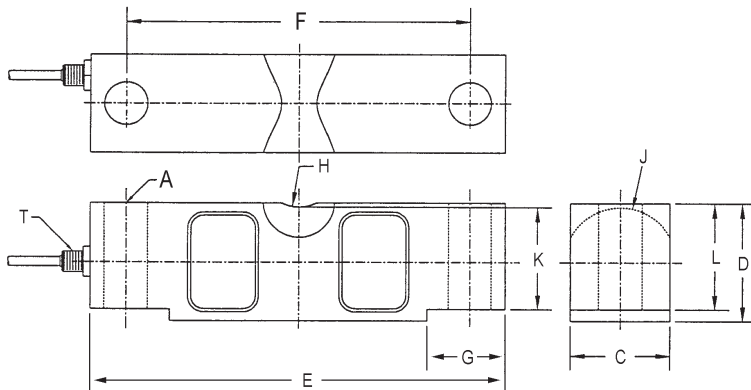


Order Information

Load Rating	Part #	Est. Weight	Price
20,000 lb	121439	8 lb	Consult
25,000 lb	121440	8 lb	Consult
40,000 lb	121441	13 lb	Consult
50,000 lb	121442	19 lb	Consult
60,000 lb	121443	19 lb	Consult
75,000 lb	121444	19 lb	Consult

Dimensions

Rated Capacity	A	C	D	E	F	G	H	J	K	L	T
lb/in											
20,000 to 25,000	0.68	1.69	1.94	7.75	6.50	1.38	0.75	0.90	1.63	1.70	1/4-18 NPT
40,000	0.81	1.94	2.44	10.25	8.50	1.93	1.00	1.12	2.00	2.10	1/4-18 NPT
50,000 to 75,000	1.06	2.44	2.94	10.25	8.50	1.93	1.00	1.37	2.54	2.65	1/2-14 NPT



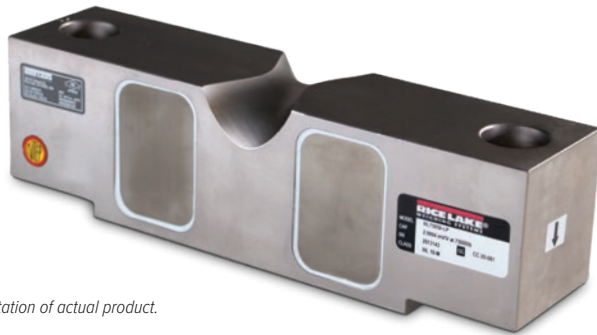
Specifications

- Full Scale Output:**
3.0 mV/V
- Output Resistance:**
699 to 707 ohm
- Input Resistance:**
686 to 714 ohm
- Material/Finish:**
High-alloy steel, nickel plated
- Temperature:**
Compensated:
14 °F to 104 °F/-10 °C to 40 °C
Operating:
0 °F to 150 °F/-18 °C to 65 °C
- Seal Type:**
Environmentally sealed, IP67
- Safe Overload:**
150% full scale
- Safe Sideload:**
100% full scale
- Rated Excitation:**
5 to 10 VDC (15 V maximum)
- Combined Error:**
0.02% full scale
- Insulation Resistance:**
5,000 megohm
- Cable Length:**
35 ft
- Cable Diameter:**
20,000 lb: 0.200 in
40,000 to 75,000 lb: 0.305 in
Polyurethane jacket
- Cable Color Code:**
Red +Excitation
Black -Excitation
Green +Signal
White -Signal
- Warranty:**
Two-year limited
- Approvals:**
NTEP 98-143
cFMus



Alloy Steel, Environmentally Sealed, NTEP Certified 1:10,000 Class III Multiple Cell, IP67

DOUBLE-ENDED BEAM RL75058-LP



Picture is a representation of actual product.

Approvals



Order Information

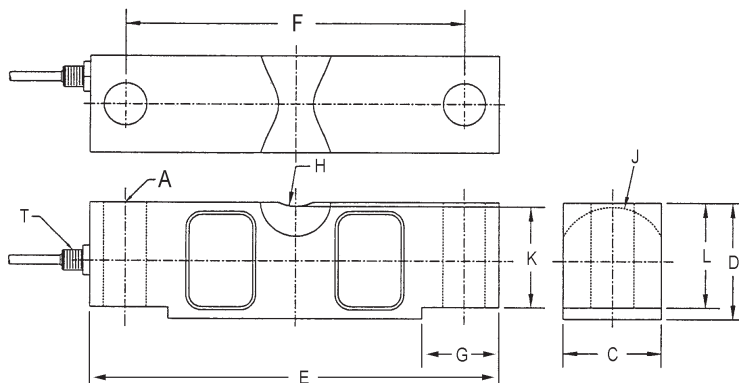
Load Rating	Part #	Est. Weight	Price
NTEP Certified 35 ft Cable			
20,000 lb	197770	8 lb	Consult
25,000 lb	197771	8 lb	Consult
40,000 lb	197772	13 lb	Consult
50,000 lb	197773	19 lb	Consult
60,000 lb	197774	19 lb	Consult
75,000 lb	197775	19 lb	Consult
100,000 lb	197776	40 lb	Consult
125,000 lb	197777	40 lb	Consult
Non-NTEP Certified 35 ft Cable			
10,000 lb	197769	8 lb	Consult
NTEP Certified 60 ft Cable			
50,000 lb	197778	20 lb	Consult
75,000 lb**	197781	20 lb	Consult
75,000 lb*	197782	20 lb	Consult
125,000 lb	197779	40 lb	Consult
NTEP Certified 100 ft Cable			
75,000 lb	197780	22 lb	Consult

*Stainless steel overbraid cable

**Used in Rice Lake truck scales

Dimensions

Rated Capacity	A	C	D	E	F	G	H	J	K	L	T
lb/in											
10,000 to 25,000	0.68	1.69	1.94	7.75	6.50	1.38	0.75	0.90	1.63	1.70	1/4-18 NPT
40,000	0.81	1.94	2.44	10.25	8.50	1.93	1.00	1.12	2.00	2.10	1/4-18 NPT
50,000 to 75,000	1.06	2.44	2.94	10.25	8.50	1.93	1.00	1.37	2.54	2.65	1/2-14 NPT
100,000 to 125,000	1.62	2.90	3.86	15.25	12.75	3.13	1.50	1.80	3.30	3.43	1/2-14 NPT



Interchangeable Products

VPG® SENSORTRONICS®

65058A

VPG® CELTRON®

CLB

ARTECH®

70210

ARTECH®

70310

Weigh Module Available

RICE LAKE WEIGHING SYSTEMS

RL2100HE

RICE LAKE WEIGHING SYSTEMS

MVS

Specifications

Full Scale Output:

3.0 mV/V

Output Resistance:

700 (± 5) ohm

Input Resistance:

770 (± 10) ohm

Material/Finish:

High-alloy steel, nickel plated

Temperature:

Compensated:

14 °F to 104 °F (-10 °C to 40 °C)

Operating:

0 °F to 150 °F (-18 °C to 65 °C)

Seal Type:

Environmentally sealed, IP67

Safe Overload:

150% full scale

Safe Sideload:

100% full scale

Rated Excitation:

5 to 10 VDC (15 V maximum)

Combined Error:

0.02% full scale

Insulation Resistance:

5,000 megohm

Cable Length:

35 ft

60 ft

100 ft

Cable Diameter:

10,000 to 25,000 lb: 0.200 in

40,000 to 125,000 lb: 0.305 in

Polyurethane jacket

Cable Color Code:

Red +Excitation

Black -Excitation

Green +Signal

White -Signal

Warranty:

Two-year limited

Approvals:

NTEP 20-081

cFMus

LOAD CELLS /
WEIGH MODULES

RL75058S-LP

Stainless Steel, Hermetically Sealed, NTEP Certified 1:10,000 Class IIII Multiple Cell, IP68/69K



LOAD CELLS / WEIGH MODULES



Picture is a representation of actual product.

Approvals

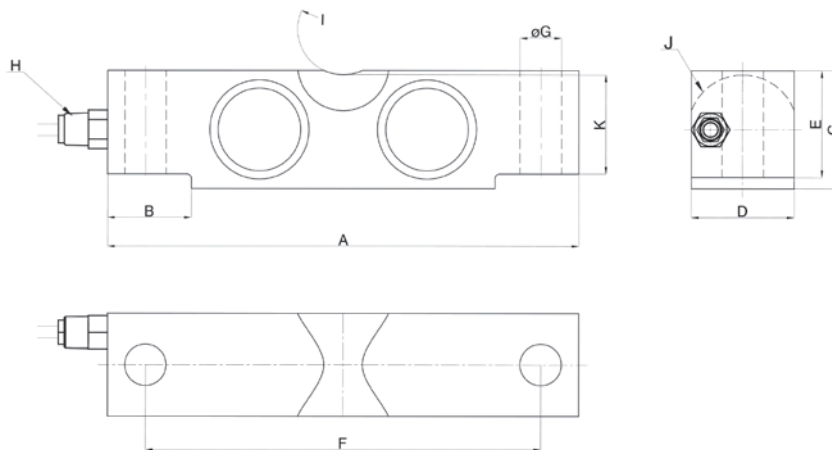


Order Information

Load Rating	Part #	Est. Weight	Price
NTEP Certified 35 ft Cable			
20,000 lb	197797	8 lb	Consult
25,000 lb	197798	8 lb	Consult
35,000 lb	198431	13 lb	Consult
40,000 lb	198430	13 lb	Consult
50,000 lb	197799	19 lb	Consult
60,000 lb	197800	19 lb	Consult
75,000 lb	197801	19 lb	Consult
100,000 lb	197803	40 lb	Consult
125,000 lb	197804	40 lb	Consult
Non-NTEP Certified 35 ft Cable			
10,000 lb	197796	8 lb	Consult
NTEP Certified 60 ft Cable			
75,000 lb	197802	20 lb	Consult
NTEP Certified 100 ft Cable			
75,000 lb	225266	20 lb	Consult

Dimensions

Rated Capacity	A	B	C	D	E	F	ØG	H	I	J	K
lb/in											
10,000 to 25,000	7.75	1.38	1.94	1.69	1.70	6.50	0.68	1/4-18 NPT	R19.1	R22.9	1.63
40,000	10.25	1.93	2.44	1.94	2.10	8.50	0.81	1/4-18 NPT	R25.4	R28.5	2.00
35,000 to 75,000	10.25	1.93	2.94	2.44	2.65	8.50	1.06	1/2-14 NPT	R25.4	R34.8	2.54
100,000 to 125,000	15.25	3.13	3.86	2.90	3.43	12.75	1.62	1/2-14 NPT	R38.1	R45.7	3.30



Interchangeable Products

VPG® SENSORTRONICS®
65058S

Weigh Module Available

RICE LAKE WEIGHING SYSTEMS
RL2100HE
RICE LAKE WEIGHING SYSTEMS
MVS

Specifications

- Full Scale Output:**
3.0 mV/V
- Output Resistance:**
700 (± 7) ohm
- Input Resistance:**
700 (± 14) ohm
- Material/Finish:**
Stainless steel
- Temperature:**
Compensated:
14 °F to 104 °F (-10 °C to 40 °C)
Operating:
0 °F to 150 °F (-18 °C to 65 °C)
- Seal Type:**
Hermetically sealed, IP68/IP69K
- Safe Overload:**
150% full scale
- Safe Sideload:**
100% full scale
- Rated Excitation:**
5 to 10 VDC (15 V maximum)
- Combined Error:**
0.02% full scale
- Insulation Resistance:**
5,000 megohm
- Cable Length:**
35 ft
60 ft
- Cable Diameter:**
10,000 to 25,000 lb: 0.200 in
35,000 to 125,000 lb: 0.305 in
Polyurethane jacket
- Cable Color Code:**
Red +Excitation
Black -Excitation
Green +Signal
White -Signal
- Warranty:**
Two-year limited
- Approvals:**
NTEP 20-081
cFMus

Limited Stock Available



Picture is a representation of actual product.

Approvals

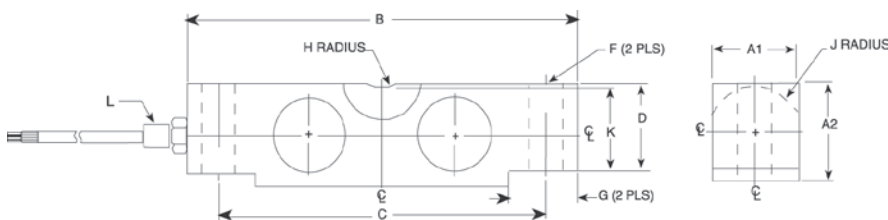


Order Information

Load Rating	Part #	Est. Weight	Price
35 ft Cable			
100,000 lb	50564	19 lb	Consult
60 ft Cable			
25,000 lb	157931	6 lb	Consult

Dimensions

Rated Capacity	F	A1	A2	B	C	G	H	J	K	D	L
lb/in											
25,000	0.68	1.69	1.94	7.75	6.50	1.38	0.75	0.90	1.63	1.70	1/4-18 NPT
100,000	1.06	2.44	3.44	10.25	8.50	1.93	1.00	1.37	2.54	2.65	1/2-14 NPT



Weigh Module Available

- RICE LAKE WEIGHING SYSTEMS
RL2100HE
- RICE LAKE WEIGHING SYSTEMS
MVS

Specifications

Full Scale Output:
3.0 mV/V

Output Resistance:
699 to 707 ohm

Input Resistance:
686 to 714 ohm

Material/Finish:
Stainless steel

Temperature:
Compensated:
14 °F to 104 °F (-10 °C to 40 °C)
Operating:
0 °F to 150 °F (-18 °C to 65 °C)

Seal Type:
Welded-seal, IP67

Safe Overload:
150% full scale

Safe Sideload:
100% full scale

Rated Excitation:
5 to 10 VDC (15 V maximum)

Combined Error:
0.02% full scale

Insulation Resistance:
1,000 megohm

Cable Length:
35 ft
60 ft

Cable Diameter:
25,000 lb: 0.200 in
100,000 lb: 0.305 in
Polyurethane jacket

Cable Color Code:
Red +Excitation
Black -Excitation
Green +Signal
White -Signal

Warranty:
Two-year limited

Approvals:
NTEP 96-027
cFMus

LOAD CELLS / WEIGH MODULES

RL75223

Alloy Steel, Welded Seal, NTEP Certified 1:10,000 Class IIIIL Multiple Cell, IP67

LOAD CELLS /
WEIGH MODULES



Picture is a representation of actual product.

Approvals

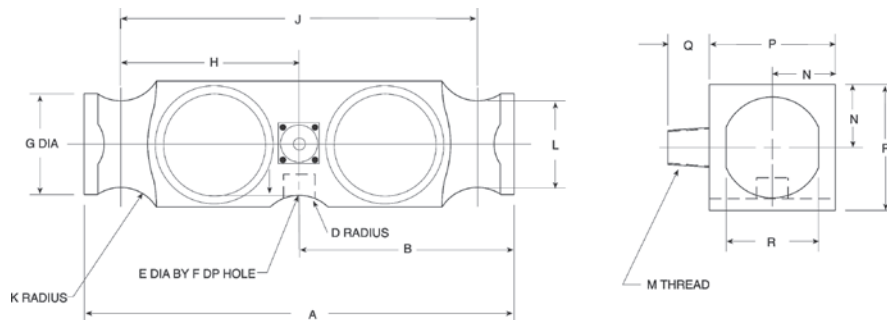


Order Information

Load Rating	Part #	Est. Weight	Price
40 ft Cable			
50,000 lb	21611	20 lb	Consult
65,000 lb	21612	20 lb	Consult
100,000 lb	21613	20 lb	Consult
60 ft Cable			
50,000 lb	107583	20 lb	Consult

Dimensions

Rated Capacity	A	B	D	E	F	G	H	J	K	L	M	N	P	Q	R
50,000 to 65,000	10.25	5.12	1.00	0.75	0.78	2.40	4.25	8.50	1.00	2.06	1/2-14 NPT	1.50	3.00	1.03	2.20
100,000	10.25	5.12	1.00	—	—	2.40	4.25	8.50	1.00	2.06	1/2-14 NPT	1.50	3.00	1.03	2.20



Interchangeable Products

- VPG® REVERE
5223
- VPG® SENSORTRONICS®
65040A-XX-1127W
- ARTECH®
80210
- THURMAN®
TSC 800
- UNIBRIDGE®
DL9000

Weigh Module Available

RICE LAKE WEIGHING SYSTEMS
Translink™

Specifications

- Full Scale Output:**
3.0 mV/V
- Output Resistance:**
699 to 707 ohm
- Input Resistance:**
686 to 714 ohm
- Material/Finish:**
High-alloy steel
- Temperature:**
Compensated:
14 °F to 104 °F (-10 °C to 40 °C)
Operating:
0 °F to 150 °F (-18 °C to 65 °C)
- Seal Type:**
Welded-seal, IP67
- Safe Overload:**
150% full scale
- Safe Sideload:**
100% full scale
- Rated Excitation:**
5-10 VDC (15 V maximum)
- Combined Error:**
0.03% full scale
- Non-repeatability:**
0.01% full scale
- Insulation Resistance:**
5,000 megohm
- Deflection at Capacity:**
50,000 lb: 0.018 in
65,000 lb: 0.022 in
100,000 lb: 0.034 in
- Cable Length:**
40 ft
60 ft
- Cable Diameter:**
0.305 in
Polyurethane jacket
- Cable Color Code:**
Red +Excitation
Black -Excitation
Green +Signal
White -Signal
- Warranty:**
Two-year limited
- Approvals:**
NTEP 97-126
cFMus

DOUBLE-ENDED BEAM
RLDB50000S

Stainless Steel, Welded Seal, NTEP Certified 1:10,000 IILL Multiple Cell, IP67



Picture is a representation of actual product.

Approvals

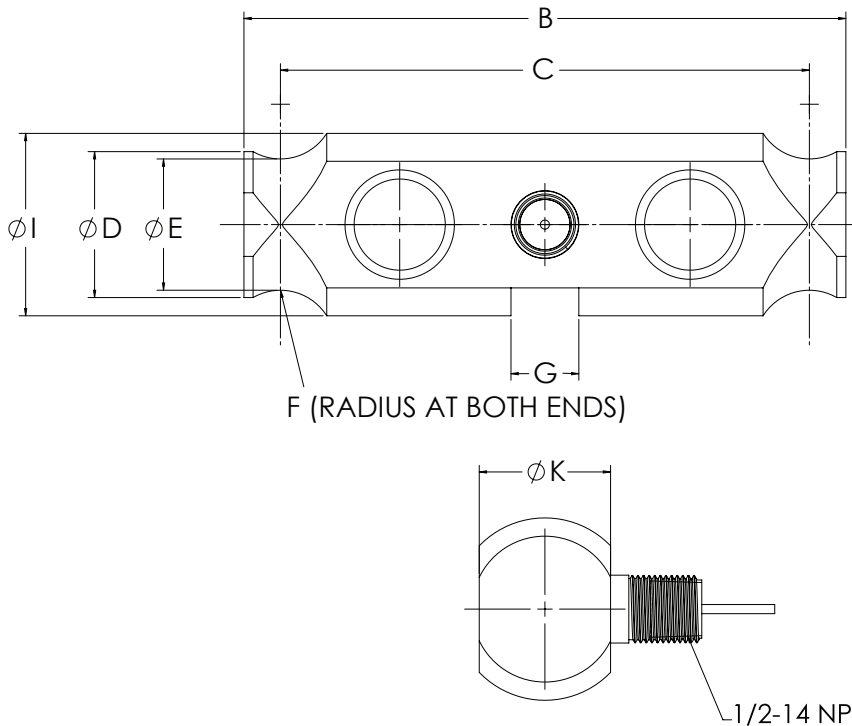


Order Information

Load Rating	Part #	Est. Weight	Price
50,000 lb	91765	10 lb	Consult

Dimensions

Rated Capacity	B	C	D	E	F	G	K	I
50,000 lb/in	8.25	7.25	2.00	1.76	0.75	0.93	1.80	2.50



Interchangeable Products

CARDINAL®
DB50000S

Specifications

Full Scale Output:

2.0 (± 0.1%) mV/V

Output Resistance:

699 to 707 ohm

Input Resistance:

686 to 714 ohm

Material/Finish:

Stainless steel

Temperature:

Compensated:

14 °F to 104 °F (-10 °C to 40 °C)

Operating:

0 °F to 150 °F (-18 °C to 65 °C)

Seal Type:

Welded-seal, IP67

Safe Overload:

150% full scale

Safe Sideload:

100% full scale

Rated Excitation:

5 to 10 VDC (15 V maximum)

Combined Error:

0.03% full scale

Non-repeatability:

0.01% full scale

Insulation Resistance:

5,000 megohm

Deflection at Capacity:

0.01 in

Cable Length:

35 ft

Cable Diameter:

0.305 in

Polyurethane jacket

Cable Color Code:

Red +Excitation

Black -Excitation

White +Signal

Green -Signal

Warranty:

Two-year limited

Approvals:

NTEP 92-018

cFMus

LOAD CELLS /
WEIGH MODULES

RL75040

Alloy Steel, Environmentally Sealed, NTEP Certified 1:10,000 Class III Multiple Cell, IP67

LOAD CELLS /
WEIGH MODULES



Picture is a representation of actual product.

Approvals



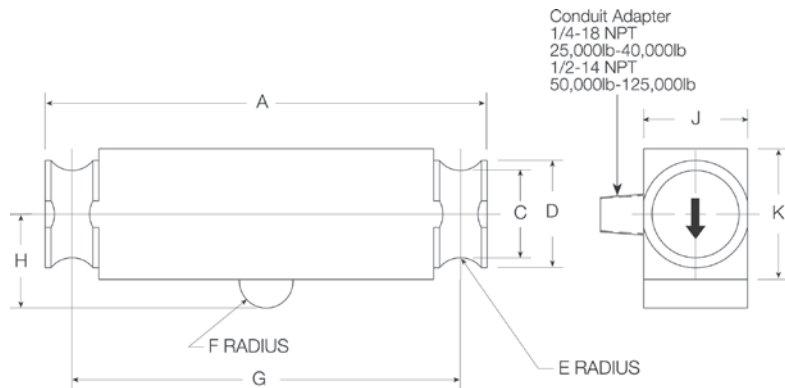
Order Information

Load Rating	Part #	Est. Weight	Price
35 ft Cable			
25,000 lb	21614	11 lb	Consult
40,000 lb	21615	12 lb	Consult
50,000 lb LE	21616	17 lb	Consult
60,000 lb LE	21617	17 lb	Consult
75,000 lb	21618	17 lb	Consult
100,000 lb	21619	40 lb	Consult
125,000 lb	21620	40 lb	Consult
40 ft Cable			
50,000 lb SE	87253	11 lb	Consult
60,000 lb SE	53593	11 lb	Consult
50 ft Cable			
50,000 lb LE	21621	18 lb	Consult
60,000 lb LE	21622	18 lb	Consult
75,000 lb	40951	18 lb	Consult

SE=small envelope; LE=large envelope

Dimensions

Rated Capacity	A	C	D	E	F	G	H	J	K
lb/in									
25,000 to 60,000 SE	8.25	1.63	2.00	0.50	0.50	7.25	1.75	1.94	2.44
50,000 LE to 75,000	11.50	1.70	2.20	0.75	1.00	10.00	2.00	1.94	2.94
100,000 to 125,000	14.50	2.44	3.20	1.00	1.50	12.50	2.75	2.90	3.86



Interchangeable Products

VPG® SENSORTRONICS®

65040A

ARTECH®

80310

THURMAN®

TSC 840

SENTRAN

WD1

ANYLOAD

102TH

Weigh Module Available

RICE LAKE WEIGHING SYSTEMS

Translink™

Specifications

Full Scale Output:

3.0 mV/V

Output Resistance:

700 (± 5) ohm

Input Resistance:

770 (± 10) ohm

pn 87253 and 53593: 686 to 714 ohms

Material/Finish:

High-alloy steel, nickel plated

Temperature:

Compensated:
14 °F to 104 °F (-10 °C to 40 °C)

Operating:

0 °F to 150 °F (-18 °C to 65 °C)

Seal Type:

Environmentally sealed, IP67

Safe Overload:

150% full scale

Safe Sideload:

100% full scale

Rated Excitation:

5 to 10 VDC (15 V maximum)

Combined Error:

0.03% full scale

Insulation Resistance:

1,000 megohm

Cable Length:

35 ft

40 ft

50 ft

Cable Diameter:

25,000 lb: 0.200 in

40,000 to 75,000 lb: 0.305 in

Polyurethane jacket

Cable Color Code:

Red +Excitation

Black -Excitation

Green +Signal

White -Signal

Warranty:

Two-year limited

Approvals:

NTEP 00-027

cFMus



Picture is a representation of actual product.

Approvals

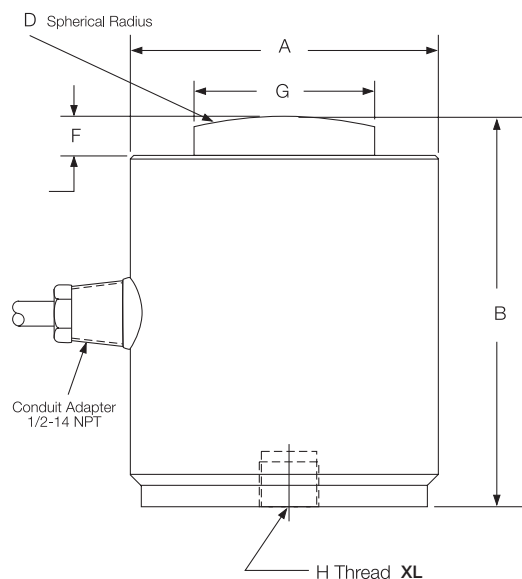


Order Information

Load Rating	Part #	Est. Weight	Price
35 ft Cable			
25,000 lb	32702	7 lb	Consult
50,000 lb	32701	7 lb	Consult
100,000 lb	32700	15 lb	Consult
200,000 lb	32699	28 lb	Consult
80 ft Cable			
200,000 lb	197788	30 lb	Consult

Dimensions

Rated Capacity	A	B	D	F	G	H	L-DEPTH
lb/in							
25,000 to 50,000	3.00	3.25	6.00	0.40	1.25	1/2-20 UNF	0.31
100,000	4.00	5.00	6.00	0.51	2.31	3/4-16 UNF	0.56
200,000	6.00	7.25	17.00	1.04	3.13	3/4-16 UNF	0.75



Interchangeable Products

- VPG® REVERE
CSP
- VPG® SENSORTRONICS®
65088-1000
- VPG® REVERE
692B
- HOWE RICHARDSON®
244699-000X
- STREETER AMET®
3760XXX

Weigh Module Available

RICE LAKE WEIGHING SYSTEMS
MagnaMount™

Specifications

- Full Scale Output:**
2.0 mV/V
- Output Resistance:**
475.2 to 484.8 ohm
- Input Resistance:**
445.5 to 454.5 ohm
- Material/Finish:**
Stainless steel
- Temperature:**
Compensated:
14 °F to 104 °F (-10 °C to 40 °C)
Operating:
0 °F to 150 °F (-18 °C to 65 °C)
- Seal Type:**
Welded-seal, IP67
- Safe Overload:**
150% full scale
- Rated Excitation:**
5 to 10 VDC (15 V maximum)
- Combined Error:**
0.03% full scale
- Non-repeatability:**
0.01% full scale
- Insulation Resistance:**
1,000 megohm
- Deflection at Capacity:**
25,000 to 50,000 lb: 0.003 in
100,000 to 125,000 lb: 0.006 in
- Cable Length:**
35 ft
80 ft
- Cable Diameter:**
0.305 in
Polyurethane jacket
- Cable Color Code:**
Green +Excitation
Black -Excitation
White +Signal
Red -Signal
Orange Shield
- Warranty:**
Two-year limited
- Approvals:**
NTEP 95-140

LOAD CELLS / WEIGH MODULES

COMPRESSION CANISTER
RL8C2P1SST

Stainless Steel, Hermetically Sealed, NTEP Certified 1:10,000 Class III Multiple Cell, IP68

LOAD CELLS /
 WEIGH MODULES



Picture is a representation of actual product.

Approvals

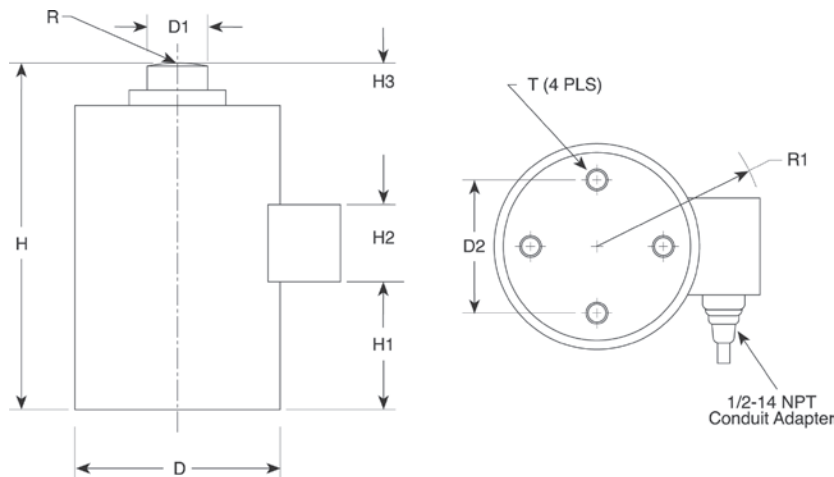


Order Information

Load Rating	Part #	Est. Weight	Price
50,000 lb	34855	20 lb	Consult
100,000 lb	34856	36 lb	Consult
200,000 lb	34857	75 lb	Consult

Dimensions

Rated Capacity	D	D1	D2	H	H1	H2	H3	R	R1	T
lb/in										
50,000	4.50	1.25	2.38	7.50	1.17	0.75	0.75	8.00	3.75	3/8-24 UNF × .63 DP
100,000	5.75	1.75	4.00	9.13	2.00	0.87	1.05	12.00	4.05	1/2-20 UNF × .75 DP
200,000	7.50	2.50	5.50	11.63	2.93	0.97	0.97	12.00	5.11	5/8-18 UNF × 25.4 DP



Interchangeable Products

VPG® REVERSE
792

Specifications

- Full Scale Output:**
2.0 mV/V
- Output Resistance:**
350 (±3.5) ohm
- Input Resistance:**
350 (±3.5) ohm
- Material/Finish:**
Stainless steel
- Temperature:**
Compensated:
14 °F to 104 °F (-10 °C to 40 °C)
Operating:
0 °F to 150 °F (-18 °C to 65 °C)
- Seal Type:**
Hermetically sealed, IP68
- Safe Overload:**
150% full scale
- Rated Excitation:**
10 VDC (15 V maximum)
- Combined Error:**
0.03% full scale
- Non-repeatability:**
0.01% full scale
- Insulation Resistance:**
>1,000 megohm
- Deflection at Capacity:**
50,000 lb: 0.004 in
100,000 lb: 0.006 in
200,000 lb: 0.009 in
- Cable Length:**
35 ft
- Cable Color Code:**
Green +Excitation
Black -Excitation
White +Signal
Red -Signal
Orange Shield
- Warranty:**
Two-year limited
- Approvals:**
NTEP 92-218
cFMus



Picture is a representation of actual product.

Approvals

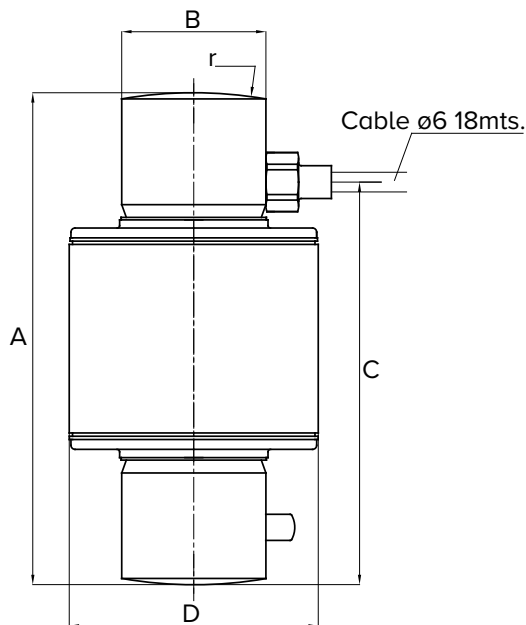


Order Information

Load Rating	Part #	Est. Weight	Price
30t	226612	8 lb	Consult
50t	226613	8 lb	Consult
Load Cup			
30t	226969	7.50 lb	Consult
50t	226970	7.94 lb	Consult

Dimensions

Rated Capacity	A	Ø B	C	D	r
t/mm					
15	150.0	44.0	123.0	76.0	130.0
20	150.0	44.0	123.0	76.0	130.0
25	150.0	44.0	123.0	76.0	150.0
30	150.0	44.0	123.0	76.0	160.0
40	150.0	44.0	123.0	76.0	180.0
50	150.0	44.0	123.0	76.0	180.0



Specifications

Full Scale Output:

2.0 mV/V

Output Resistance:

705 (± 5) ohm

Input Resistance:

800 (± 5) ohm

Material/Finish:

Stainless steel

Temperature:

Compensated:

14 °F to 104 °F (-10 °C to 40 °C)

Operating:

0 °F to 150 °F (-18 °C to 65 °C)

Seal Type:

Hermetically sealer, IP69K

Safe Overload:

120% full scale

Rated Excitation:

5 to 10 VDC

Combined Error:

0.013% full scale

Non-repeatability:

0.01% full scale

Insulation Resistance:

5,000 megohm

Deflection at Capacity:

0.621 mm

Cable Length:

18 m overbraid cable

Cable Color Code:

Green +Excitation

Black -Excitation

Red +Signal

White -Signal

Blue +Sense

Yellow -Sense

Warranty:

Two-year limited

Approvals:

NTEP 24-109

ROCKER COLUMN
RL82021

Stainless Steel, Hermetically Sealed, NTEP Certified 1:10,000 Class III L Multiple Cell, IP69K

LOAD CELLS /
 WEIGH MODULES



Picture is a representation of actual product.

Approvals

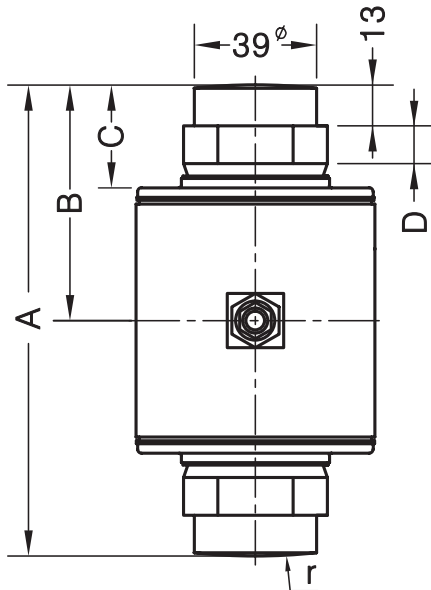


Order Information

Load Rating	Part #	Est. Weight	Price
30 t	221271	8 lb	Consult
40 t	207495	8 lb	Consult
Load Cup Kits			
30 t	223356	7.50 lb	Consult
40 t	223357	7.94 lb	Consult

Dimensions

Rated Capacity	A	B	C	D	Ball r
t/in					
30	5.51	2.76	1.10	0.28	7.09
40	5.91	2.95	1.30	0.47	7.87



Specifications

- Full Scale Output:**
2.0 mV/V
- Output Resistance:**
1,005 (± 5) ohm
- Input Resistance:**
1,150 (± 50) ohm
- Material/Finish:**
Stainless steel
- Temperature:**
Compensated:
14 °F to 104 °F (-10 °C to 40 °C)
Operating:
0 °F to 150 °F (-18 °C to 65 °C)
- Seal Type:**
Hermetically sealer, IP69K
- Safe Overload:**
120% full scale
- Rated Excitation:**
5 to 10 VDC
- Combined Error:**
0.013% full scale
- Non-repeatability:**
0.01% full scale
- Insulation Resistance:**
5,000 megohm
- Deflection at Capacity:**
0.621 mm
- Cable Length:**
18 m overbraid cable
- Cable Color Code:**
Green +Excitation
Black -Excitation
Red +Signal
White -Signal
Blue +Sense
Yellow -Sense
- Warranty:**
Two-year limited
- Approvals:**
NTEP 21-071



Picture is a representation of actual product.

Approvals



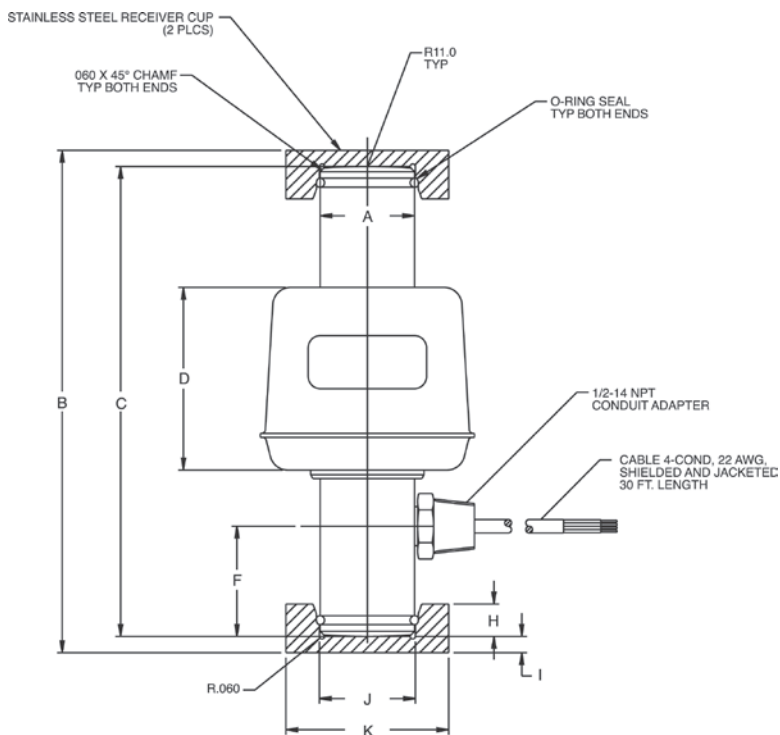
Order Information

Load Rating	Part #	Est. Weight	Price
50,000 lb*	68918	7 lb	Consult
Replacement Parts			
Replacement load cup set upper and lower included	85433	1 lb	Consult
Replacement O-ring	92988	1 lb	Consult/each

*Load cell supplied with load cups

Dimensions

Rated Capacity	A	B	C	D	F	H	I	J	K
50,000 lb/in	1.46	7.75	7.25	2.82	1.70	0.50	0.25	1.48	2.50



Interchangeable Products

CARDINAL®
SCA-50K

Specifications

Full Scale Output:

2 mV/V nominal

Output Resistance:

1,050 (± 10) ohm

Input Resistance:

1,100 to 1,500 ohm

Material/Finish:

Stainless steel

Temperature:

Compensated:

14 °F to 104 °F (-10 °C to 40 °C)

Operating:

0 °F to 150 °F (-18 °C to 65 °C)

Seal Type:

Welded-seal, IP67

Safe Overload:

150% full scale

Rated Excitation:

5 to 10 VDC (15 V maximum)

Combined Error:

0.025% full scale

Non-repeatability:

0.01% full scale

Insulation Resistance:

1,000 megohm

Cable Length:

30 ft

Cable Diameter:

0.200 in

Polyurethane jacket

Cable Color Code:

Green +Excitation

Black -Excitation

Red +Signal

White -Signal

Warranty:

Two-year limited

Approvals:

NTEP 01-073

cFMus

RL70510/RL80453

Stainless Steel, Hermetically Sealed, NTEP Certified 1:10,000 Class III L, IP69K

LOAD CELLS / WEIGH MODULES



Picture is a representation of actual product.

Approvals



Order Information: RL70510

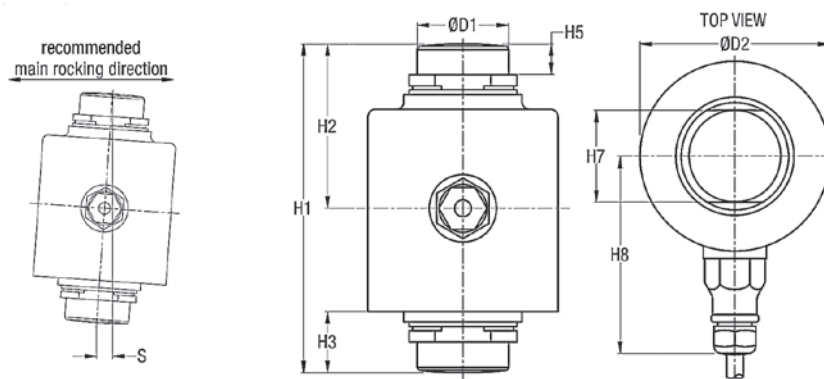
Load Rating	Part #	Est. Weight	Price
30t	169363	6 lb	Consult
Upper load cup	109332	4 lb	Consult
Lower load cup	109331	4 lb	Consult

Order Information: RL80453

Load Rating	Part #	Est. Weight	Price
100,000 lb	169365	6 lb	Consult
Upper load cup	109332	4 lb	Consult
Lower load cup	109331	4 lb	Consult

Dimensions

Rated Capacity	H1	H2	H3	H5	H7	H8	D1	D2
t/in								
30	5.51	2.76	1.02	0.51	1.54	3.32	1.54	3.18
lb/in								
100,000	5.91	2.95	1.30	0.51	1.54	3.32	1.54	3.18



Interchangeable Products

FAIRBANKS®	
70510 LCF HR 4020-2A
FAIRBANKS	
80453 LCF HR 4020-21

Specifications

- Full Scale Output:**
2.0 mV/V
- Output Resistance:**
1,000 (± 2) ohm
- Input Resistance:**
1,150 (± 50) ohm
- Material/Finish:**
Stainless steel
- Temperature:**
Compensated:
14 °F to 104 °F (-10 °C to 40 °C)
Operating:
0 °F to 150 °F (-18 °C to 65 °C)
- Seal Type:**
Hermetically sealed, IP69K
- Safe Overload:**
200% full scale
- Rated Excitation:**
5 to 10 VDC (15 V max)
- Combined Error:**
0.02% full scale
- Insulation Resistance:**
5,000 megohm
- Cable Length:**
15 ft
- Cable Diameter:**
0.200 in
Stainless steel overbraid cable
- Cable Color Code:**
Green +Excitation
Black -Excitation
White +Signal
Red -Signal
Yellow Shield
- Warranty:**
Two-year limited
- Approvals:**
NTEP 15-057



Picture is a representation of actual product.

Approvals



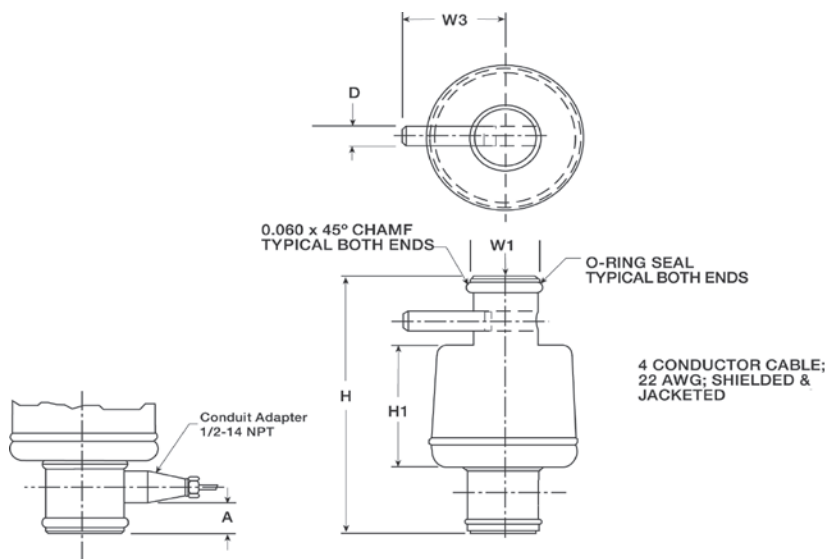
Order Information

Load Rating	Part #	Est. Weight	Price
50,000 lb LE	88074	6 lb	Consult
Replacement Parts			
Replacement O-ring	92988	1lb	Consult
Spring pin	116181	1 lb	Consult

LE=Large envelope
Not interchangeable with Sensortronics 65114 - different mV/V

Dimensions

Rated Capacity	A	D	H	H1	W1	W3
50,000 LE	0.87	0.38	7.56	2.82	1.46	2.18



Interchangeable Products

FAIRBANKS®
64166..... LCF HR 4020-2

Specifications

- Full Scale Output:**
1.8 mV/V nominal
- Output Resistance:**
1,000 (± 10) ohm
- Input Resistance:**
1,000 ohm
- Material/Finish:**
Stainless steel
- Temperature:**
Compensated:
14 °F to 104 °F (-10 °C to 40 °C)
Operating:
0 °F to 150 °F (-18 °C to 65 °C)
- Seal Type:**
Welded-seal, IP67
- Safe Overload:**
150% full scale
- Rated Excitation:**
5 to 10 VDC
- Combined Error:**
0.025% full scale
- Non-repeatability:**
0.01% full scale
- Insulation Resistance:**
1,000 megohm
- Cable Length:**
30 ft
- Cable Diameter:**
0.200 in overbraid cable
- Cable Color Code:**
Green +Excitation
Black -Excitation
White +Signal
Red -Signal
- Warranty:**
Two-year limited
- Approvals:**
NTEP 06-022
cFmus

RL90000

Alloy Steel, Environmentally Sealed, IP67



25K

5K

Picture is a representation of actual product.

Approvals



Order Information

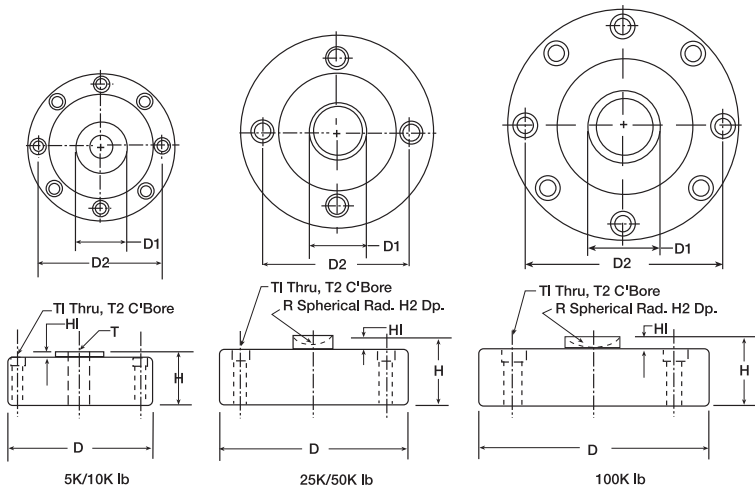
Load Rating	Part #	Est. Weight	Price
5,000 lb*	33061	6 lb	Consult
10,000 lb*	33062	6 lb	Consult
25,000 lb	33063	9 lb	Consult
50,000 lb	33064	9 lb	Consult
100,000 lb	33065	13 lb	Consult
Load Cup**	33616		Consult

*5,000 lb and 10,000 lb models can be used in compression and tension load applications.

**Load cup, PN 33616, is required for compression applications on 5,000 lb and 10,000 lb capacity load cells.

Dimensions

Rated Capacity	T	R	D	D1	D2	H	H1	H2	T1	T2
lb/in										
5,000 to 10,000	5/8-18 UNF-3B	—	4.12	1.26	3.50	1.37	0.12	—	0.28	0.406 x 0.283 DP
25,000 to 50,000	—	0.875	4.75	1.53	4.00	2.12	0.50	0.30	0.34	0.508 x 0.38 DP
100,000	—	0.875	5.50	1.98	4.60	2.25	0.25	0.30	0.41	0.626 x 0.4 DP



Interchangeable Products

VPG® CELTRON®
LCD

Specifications

Full Scale Output:

4.0 mV/V

Output Resistance:

5,000 to 50,000 lb: 350 (± 3) ohm
100,000 lb: 700 (± 5) ohm

Input Resistance:

5,000 to 50,000 lb: 385 (± 5) ohm
100,000 lb: 770 (± 70) ohm

Material/Finish:

High-alloy steel, nickel plated

Temperature:

Operating:
0 °F to 150 °F (-18 °C to 65 °C)

Seal Type:

Environmentally sealed, IP67

Safe Overload:

150% full scale

Safe Sideload:

100% full scale

Rated Excitation:

15 VDC (15 V maximum)

Nonlinearity:

0.05% full scale

Hysteresis:

0.02% full scale

Insulation Resistance:

2,000 megohm

Cable Length:

50 ft

Cable Diameter:

5,000 to 25,000 lb: 0.200 in
50,000 to 100,000 lb: 0.305 in
Polyurethane jacket

Cable Color Code:

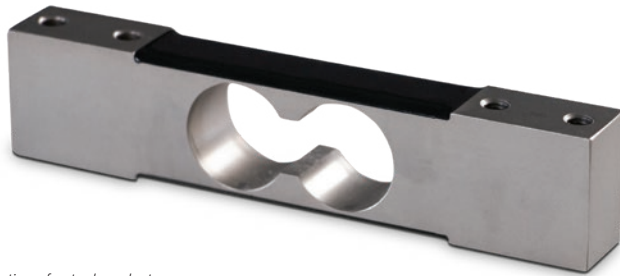
Red +Excitation
Black -Excitation
Green +Signal
White -Signal

Warranty:

Two-year limited

Approvals:

cFMus



Picture is a representation of actual product.

Approvals

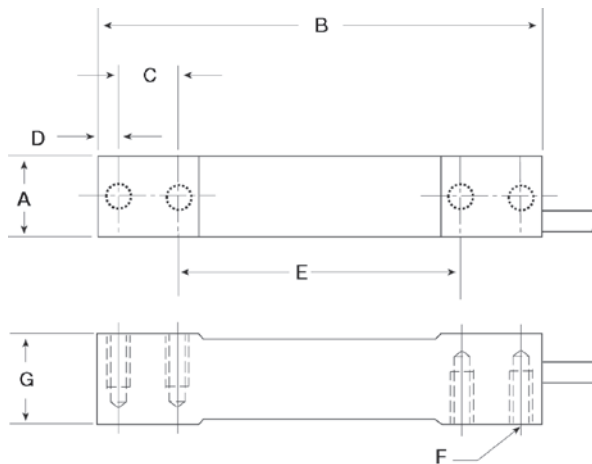


Order Information

Load Rating	Part #	Est. Weight	Price
7 kg	205274	2 lb	Consult
10 kg	205275	2 lb	Consult
30 kg	205276	2 lb	Consult
60 kg	205277	2 lb	Consult
100 kg	205278	2 lb	Consult
150 kg	205279	2 lb	Consult

Dimensions

Rated Capacity	A	B	C	D	E	F	G
kg/mm							
7 to 10	19.0	139.8	19.0	6.6	88.7	M6 × 1.0	30.0
30 to 60	23.8	139.8	19.0	6.6	88.7	M6 × 1.0	30.0
100 to 150	30.7	139.7	22.4	6.6	79.3	3/8-16 UNC	30.0



Interchangeable Products

- RICE LAKE WEIGHING SYSTEMS
RL1380
- FLINTEC®
PC3
- HBK®
PWS

Specifications

Full Scale Output:

2 mV/V

Output Resistance:

350 (± 10) ohm

Input Resistance:

385 (± 15) ohm

Material/Finish:

Stainless steel

Temperature:

Compensated:

14 °F to 104 °F (-10 °C to 40 °C)

Operating:

0 °F to 150 °F (-18 °C to 65 °C)

Seal Type:

Environmentally sealed, IP67

Safe Overload:

150% full scale

Rated Excitation:

5 to 10 VDC

Combined Error:

0.02% full scale

Insulation Resistance:

5,000 megohm

Cable Length:

10 ft

Cable Diameter:

0.140 in

Polyurethane jacket

Cable Color Code:

Green +Excitation

Black -Excitation

White +Signal

Red -Signal

Yellow Shield

Max Platform Size:

7 to 30 kg: 350 × 350 mm

60 to 150 kg: 450 × 450 mm

Warranty:

One-year limited

Approvals:

NTEP 21-017

OIML R60/2017-A-NL1-21.17

SINGLE POINT

RLPC4SS-HE

Stainless Steel, Hermetically Sealed, NTEP Certified 1:5,000 Class III Single Cell, IP69K

LOAD CELLS /
WEIGH MODULES



Picture is a representation of actual product.

Approvals

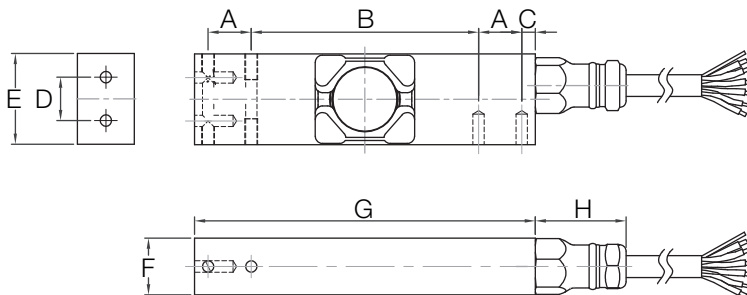


Order Information

Load Rating	Part #	Est. Weight	Price
10 kg	205270	3 lb	Consult
20 kg	205271	3 lb	Consult
50 kg	205272	3 lb	Consult
100 kg	205273	3 lb	Consult

Dimensions

Rated Capacity	A	B	C	D	E	F	G	H	I
kg/mm									
10 to 100	19.0	100.0	6.0	19.1	40.0	25.0	150.0	40.0	M4 × 6



Interchangeable Products

FLINTEC®

PC4

HBK®

PW15AH*

*350 Ohm

Specifications

Full Scale Output:

2 mV/V

Output Resistance:

960 (± 50) ohm

Input Resistance:

1100 (± 50) ohm

Material/Finish:

Stainless steel

Temperature:

Compensated:

14 °F to 104 °F (-10 °C to 40 °C)

Operating:

0 °F to 150 °F (-18 °C to 65 °C)

Seal Type:

Hermetically sealed, IP69K

Safe Overload:

150% full scale

Rated Excitation:

5 to 10 VDC

Combined Error:

0.02% full scale

Insulation Resistance:

> 5,000 megohm

Cable Length:

10 ft

Cable Color Code:

Green +Excitation

Black -Excitation

White +Signal

Red -Signal

Blue +Sense

Brown -Sense

Yellow Shield

Max Platform Size:

500 × 400 mm

Warranty:

One-year limited

Approvals:

NTEP 21-016

OIML R60/2017-A-NL1-21.18



Picture is a representation of actual product.

Approvals

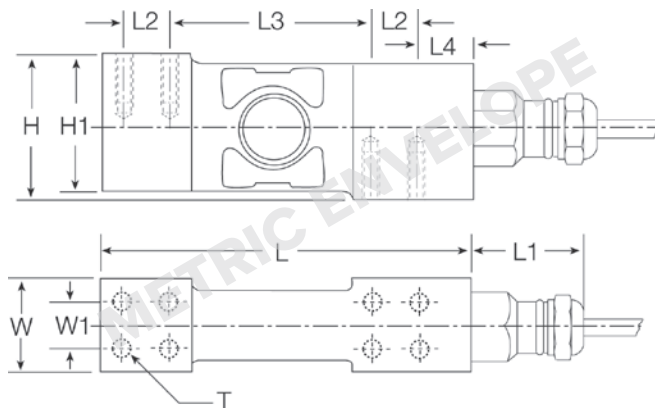


Order Information

Load Rating	Part #	Est. Weight	Price
10 kg	87027	3 lb	Consult
20 kg	87028	3 lb	Consult
50 kg	87029	3 lb	Consult
100 kg	87030	3 lb	Consult
200 kg	87031	3 lb	Consult

Dimensions

Rated Capacity	H	H1	L	L1	L2	L3	L4	W	W1	T
kg/mm										
10 to 200	48.0	45.5	123.0	41.0	15.2	67.6	17.8	30.1	15.2	8 x M6/15 DP



Interchangeable Products

FLINTEC®
PC6

Specifications

Full Scale Output:
2.0 mV/V

Output Resistance:
960 (± 50) ohm, nominal

Input Resistance:
1,100 (± 50) ohm

Material/Finish:
Stainless steel

Temperature:
Compensated:
14 °F to 104 °F (-10 °C to 40 °C)
Operating:
0 °F to 150 °F (-18 °C to 65 °C)

Seal Type:
Hermetically sealed, IP69K

Safe Overload:
200% full scale

Safe Sideload:
100% full scale

Rated Excitation:
5 to 10 VDC

Combined Error:
0.02% full scale

Insulation Resistance:
5,000 megohm

Cable Length:
3 m

Cable Diameter:
5 mm
Polyurethane jacket

Deflection at Capacity:
0.15 to 0.25 mm

Cable Color Code:
Green +Excitation
Black -Excitation
White +Signal
Red -Signal
Yellow Shield

Max Platform Size:
610 × 610 mm

Warranty:
Two-year limited

Approvals:
NTEP 06-011
FM

SINGLE POINT

RLPWM15HE

Stainless Steel, Hermetically Sealed, NTEP Certified 1:5,000 Class III Single Cell, IP69K

LOAD CELLS /
WEIGH MODULES



Picture is a representation of actual product.

Approvals

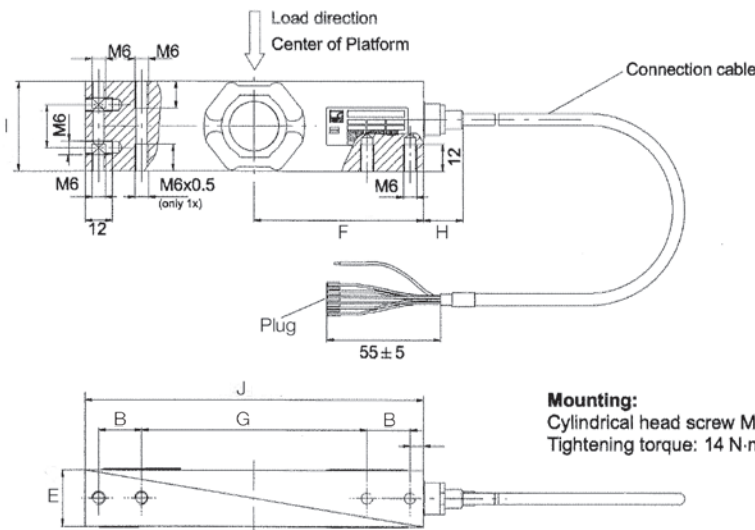


Order Information

Load Rating	Part #	Est. Weight	Price
10 ft Cable			
10 kg	108685	3 lb	Consult
20 kg	108686	3 lb	Consult
50 kg	108687	3 lb	Consult
100 kg	108688	3 lb	Consult
2.83 ft Cable			
10 kg	107174	3 lb	Consult
20 kg	107175	3 lb	Consult
50 kg	107176	3 lb	Consult
100 kg	107177	3 lb	Consult

Dimensions

Rated Capacity	B	E	F	G	H	I	J
kg/mm							
10 to 100	19.0	25.0	75.0	100.0	17.5	40.0	150.0



Mounting:
Cylindrical head screw M6-10.9
Tightening torque: 14 N·m

Interchangeable Products

HBK®
PW15AH

Specifications

- Full Scale Output:**
2.0 mV/V
- Output Resistance:**
350 (± 10) ohm
- Input Resistance:**
380 (± 15) ohm
- Material/Finish:**
Stainless steel
- Temperature:**
Compensated:
14 °F to 104 °F (-10 °C to 40 °C)
Operating:
0 °F to 150 °F (-18 °C to 65 °C)
- Seal Type:**
Hermetically sealed, IP69K
- Safe Overload:**
150% full scale
- Rated Excitation:**
5 to 10 VDC (15 V maximum)
- Combined Error:**
0.02% full scale
- Insulation Resistance:**
1,000 megohm
- Cable Length:**
10 ft
2.83 ft
- Cable Diameter:**
0.212 in PVC jacket
- Cable Color Code:**
Blue +Excitation
Black -Excitation
White +Signal
Red -Signal
Green +Sense
Grey -Sense
- Max Platform Size:**
500 × 400 mm
- Warranty:**
Two-year limited
- Approvals:**
NTEP 09-015
FM



Picture is a representation of actual product.

Approvals

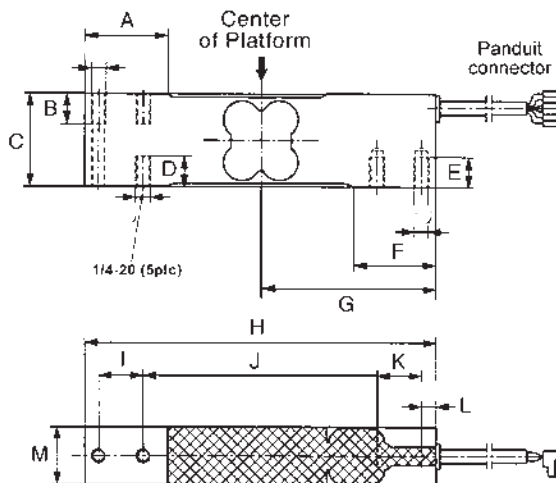


Order Information

Load Rating	Part #	Est. Weight	Price
10 kg	119904	1 lb	Consult
15 kg	119912	1 lb	Consult
20 kg	119905	1 lb	Consult
50 kg	119908	1 lb	Consult
75 kg	119909	1 lb	Consult
100 kg	119910	1 lb	Consult

Dimensions

Rated Capacity	A	B	C	D	E	F	G	H	I	J	K	L	M	T
kg/mm														
10 to 100	35.0	13.0	40.0	13.0	13.0	35.0	75.0	150.0	19.0	100.0	19.0	6.2	25.0	1/4-20 UNC



Interchangeable Products

- HBK®
- PW15**
- VPG® TEDEA-HUNTLEIGH®
- 1142**

Specifications

- Full Scale Output:**
2.0 mV/V
- Bridge Resistance:**
350 ohm, nominal
- Material/Finish:**
Stainless steel
- Temperature:**
Compensated:
14 °F to 104 °F (-10 °C to 40 °C)
Operating:
0 °F to 150 °F (-18 °C to 65 °C)
- Seal Type:**
Environmentally sealed, IP67
- Safe Overload:**
150% full scale
- Rated Excitation:**
5 to 10 VDC (15 V maximum)
- Combined Error:**
0.02% full scale
- Insulation Resistance:**
1,000 megohm
- Cable Length:**
10 ft
- Cable Diameter:**
0.190 in PVC jacket
- Cable Color Code:**
Blue +Excitation
Black -Excitation
White +Signal
Red -Signal
Green +Sense
Grey -Sense
- Max Platform Size:**
15 × 15 in
- Warranty:**
Two-year limited
- Approvals:**
NTEP 11-038
FM

SINGLE POINT
RLPCBC-60

Stainless Steel, Hermetically Sealed, NTEP Certified 1:5,000 Class III Single Cell, IP69K

LOAD CELLS /
 WEIGH MODULES



Picture is a representation of actual product.

Approvals

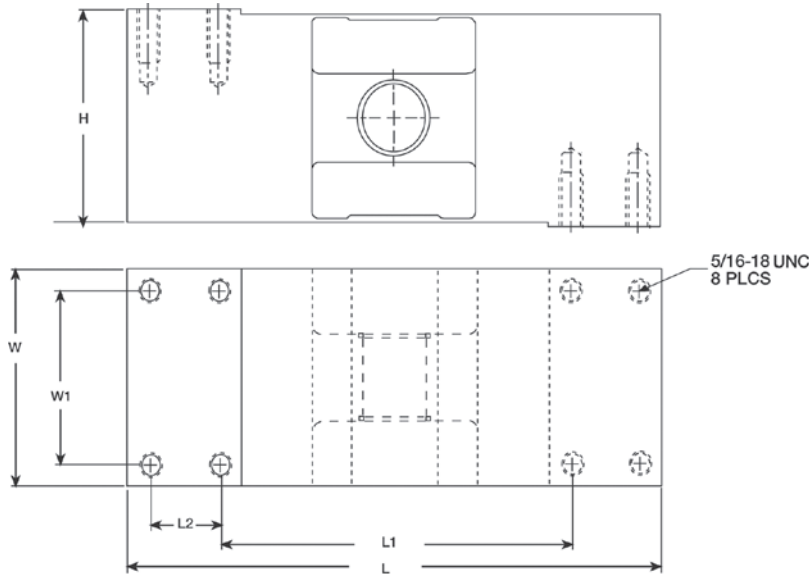


Order Information

Load Rating	Part #	Est. Weight	Price
10 ft Cables			
50 kg	87022	12 lb	Consult
100 kg	87023	12 lb	Consult
250 kg	87024	13 lb	Consult
500 kg	87025	13 lb	Consult
1,000 kg	87026	15 lb	Consult
20 ft Cables			
1,000 kg	227092	15 lb	Consult

Dimensions

Rated Capacity	L	L1	L2	W	W1	H
kg/mm						
50 to 1,000	190.5	107.0	35.0	73.7	50.0	73.7



Specifications

- Full Scale Output:**
2 mV/V
- Output Resistance:**
960 (± 50) ohm
- Input Resistance:**
1,100 (± 50) ohm
- Material/Finish:**
Stainless steel
- Temperature:**
Compensated:
14 °F to 104 °F (-10 °C to 40 °C)
Operating:
0 °F to 150 °F (-18 °C to 65 °C)
- Seal Type:**
Hermetically sealed, IP69K
- Safe Overload:**
200% full scale
- Safe Sideload:**
100% full scale
- Rated Excitation:**
5 to 10 VDC
- Combined Error:**
0.020% full scale
- Insulation Resistance:**
5,000 megohm
- Cable Length:**
10 ft
PN 227092: 20 ft
- Cable Diameter:**
0.196 in
Polyurethane jacket
- Cable Color Code:**
Green +Excitation
Black -Excitation
White +Signal
Red -Signal
Blue +Sense
Brown -Sense
Yellow Shield (shield connected to element)
- Max Platform Size:**
24 × 24 in
- Warranty:**
Two-year limited
- Approvals:**
NTEP 07-094
FM



Picture is a representation of actual product.

Approvals

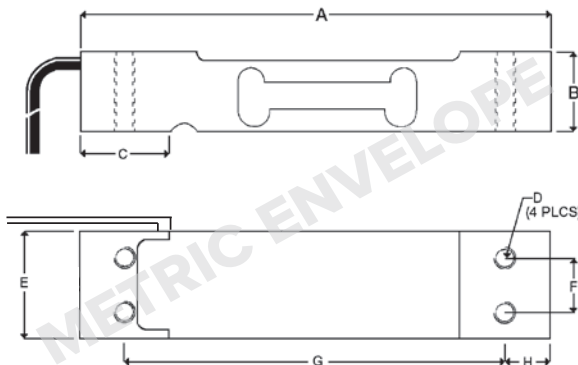


Order Information:

Load Rating	Part #	Est. Weight	Price
1.50 ft Cables			
3 kg	50620	1 lb	Consult
5 kg	50619	1 lb	Consult
7 kg	50621	1 lb	Consult
10 kg	50622	1 lb	Consult
15 kg	50623	1 lb	Consult
20 kg	50624	1 lb	Consult
30 kg	50625	1 lb	Consult
35 kg	50626	1 lb	Consult
10 ft Cables			
3 kg	132261	3 lb	Consult
5 kg	132262	3 lb	Consult
7 kg	132263	3 lb	Consult
10 kg	132264	3 lb	Consult
15 kg	132265	3 lb	Consult
20 kg	132266	3 lb	Consult
30 kg	132267	3 lb	Consult
35 kg	132268	3 lb	Consult

Dimension

Rated Capacity	A	B	C	D	E	F	G	H
kg/mm								
3 to 7	130.0	22.0	25.0	M6 × 1.0	25.4	15.0	106.0	12.0
10 to 30	130.0	22.0	25.0	M6 × 1.0	30.0	15.0	106.0	12.0
35	130.0	22.0	25.0	M6 × 1.0	40.0	15.0	106.0	12.0



Interchangeable Products

- VPG® CELTRON®
- LPS except 3 kg
- VPG® TEDEA-HUNTLEIGH®
- 1022**
- VPG® BLH®
- C2G1**
- FAIRBANKS®
- 4900 Series**
- Checkweighers**
- NMB®
- C2G1**
- ARTECH®
- 61022**

Specifications

- Full Scale Output:**
2.0 mV/V
- Output Resistance:**
350 (± 3) ohm
- Input Resistance:**
410 (± 15) ohm
- Material/Finish:**
Aluminum
- Temperature:**
Compensated:
14 °F to 104 °F (-10 °C to 40 °C)
Operating:
0 °F to 150 °F (-18 °C to 65 °C)
- Seal Type:**
Environmentally sealed, IP66
- Safe Overload:**
150% full scale
- Rated Excitation:**
5 to 10 VDC (15 V maximum)
- Combined Error:**
0.03% full scale
- Insulation Resistance:**
2,000 megohm
- Cable Length:**
3 m
0.50 m
- Cable Diameter:**
3.5 mm PVC jacket
- Cable Color Code:**
Green +Excitation
Black -Excitation
Red +Signal
White -Signal
- Max Platform Size:**
13.75 × 13.75 in
- Warranty:**
Two-year limited
- Approvals:**
NTEP 98-166
cFMus

LOAD CELLS / WEIGH MODULES

SINGLE POINT
RL1010

Aluminum, NTEP Certified 1:5,000 Class III Single Cell, Potted and Unpotted, IP65/IP67

LOAD CELLS /
WEIGH MODULES



Picture is a representation of actual product.

Approvals

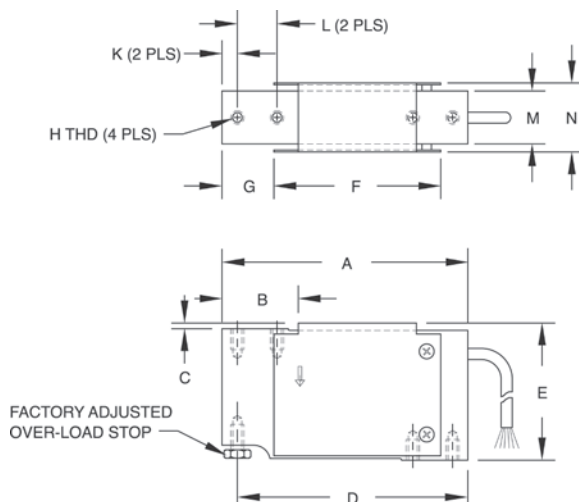


Order Information

Load Rating	Part #	Est. Weight	Price
NTEP Certified, Potted			
10 kg	50819	2 lb	Consult
15 kg	50820	2 lb	Consult
20 kg	50821	2 lb	Consult
30 kg	50822	2 lb	Consult
50 kg	50823	2 lb	Consult
Non-NTEP Certified, Potted			
7 kg	17529	2 lb	Consult
10 kg	17530	2 lb	Consult
15 kg	17531	2 lb	\$195.00
20 kg	17532	2 lb	Consult
30 kg	17533	2 lb	Consult
50 kg	17534	2 lb	Consult
90 kg	17535	2 lb	Consult
Non-NTEP Certified, Unpotted			
3 kg	17527	1 lb	Consult
5 kg	17528	1 lb	Consult

Dimensions

Rated Capacity	A	B	C	D	E	F	G	H	K	L	M	N
kg/mm												
3 to 90	118.1	34.0	3.0	110.5	66.0	80.0	25.0	1/4-20 UNC x 13 DP	7.5	19.1	25.4	33.5



Interchangeable Products

VPG® TEDEA-HUNTLEIGH®
1010/1015

Specifications

- Full Scale Output:** 2.0 mV/V
- Output Resistance:** 350 (± 3) ohm, nominal
- Input Resistance:** 415 (± 15) ohm
- Material/Finish:** Anodized aluminum
- Temperature:** Compensated: 14 °F to 104 °F (-10 °C to 40 °C)
Operating: 0 °F to 150 °F (-18 °C to 65 °C)

- Seal Type:** Potted: IP67
Unpotted: IP65
- Safe Overload:** 150% at center of loading point, full scale
- Rated Excitation:** 5 to 10 VDC (15 V maximum)
- Combined Error:** 0.02% full scale
- Insulation Resistance:** 5,000 megohm
- Deflection at Capacity:** 0.015 in
- Cable Length:** Potted: 10 ft
Unpotted: 3 ft
- Cable Diameter:** 0.200 in PVC jacket
- Cable Color Code:** Green +Excitation
Black -Excitation
Red +Signal
White -Signal
Blue +Sense
Brown -Sense

Max Platform Size: 15.75 x 15.75 in

Warranty: Two-year limited

Approvals: NTEP 00-062
cFMus



Picture is a representation of actual product.

Approvals

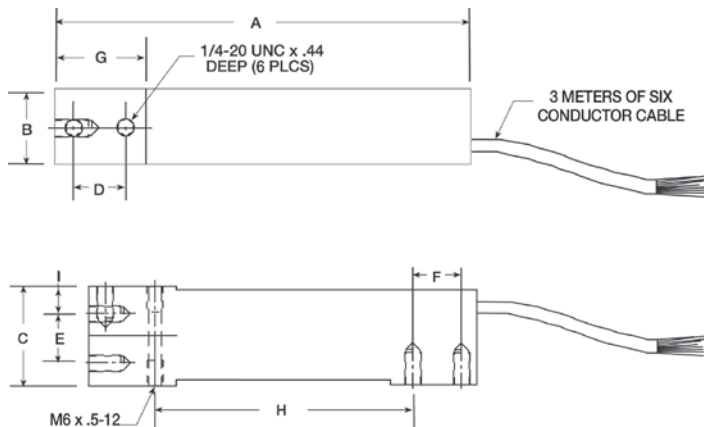


Order Information

Load Rating	Part #	Est. Weight	Price
NTEP Certified			
7 kg	91725	2 lb	Consult
10 kg	91726	2 lb	Consult
15 kg	91727	2 lb	Consult
20 kg	91728	2 lb	Consult
30 kg	91729	2 lb	Consult
50 kg	91730	2 lb	Consult
75 kg	91731	2 lb	Consult
100 kg	91732	2 lb	Consult

Dimensions

Rated Capacity	A	B	C	D	E	F	G	H	I
kg/mm									
5 to 100	150.3	25.4	39.9	19.1	19.1	19.1	33.8	99.6	11.4



Interchangeable Products

HBK®
SP4M

Specifications

Full Scale Output:

2.0 mV/V

Output Resistance:

350 (± 3) ohm

Input Resistance:

350 ohm

Material/Finish:

Anodized aluminum

Temperature:

Compensated:

14 °F to 104 °F (-10 °C to 40 °C)

Operating:

0 °F to 150 °F (-18 °C to 65 °C)

Seal Type:

Environmentally sealed, IP66

Safe Overload:

150% full scale

Rated Excitation:

5 to 10 VDC (15 V maximum)

Combined Error:

0.02% full scale

Insulation Resistance:

5,000 megohm

Deflection at Capacity:

0.4 mm

Cable Length:

10 ft

Cable Diameter:

0.19 in PVC jacket

Cable Color Code:

Green +Excitation

Black -Excitation

Red +Signal

White -Signal

Blue +Sense

Brown -Sense

Yellow Shield

Max Platform Size:

5 to 10 kg: 12 × 12 in

15 to 30 kg: 18 × 18 in

50 to 100 kg: 24 × 24 in

Warranty:

Two-year limited

Approvals:

NTEP 05-114

FM

RLPWM16

Aluminum, Environmentally Sealed, NTEP Certified 1:5,000 Class III Single Cell, IP67



LOAD CELLS / WEIGH MODULES



Picture is a representation of actual product.

Approvals

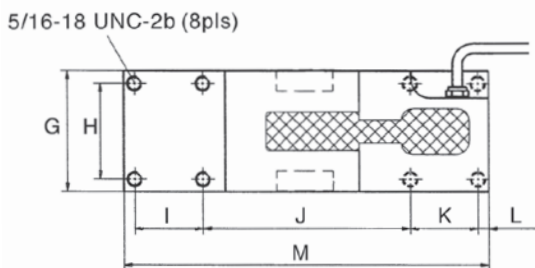
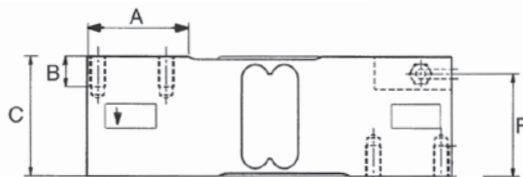


Order Information

Load Rating	Part #	Est. Weight	Price
75 kg	91686	5 lb	Consult

Dimensions

Rated Capacity	A	B	C	F	G	H	I	J	K	L	M
kg/mm											
75	52.0	16.0	62.3	52.3	63.0	50.0	35.0	107.0	35.0	5.5	188.0



Interchangeable Products

RICE LAKE WEIGHING SYSTEMS
RL1260
 VPG® TEDEA-HUNTLEIGH®
1260

Specifications

- Full Scale Output:**
2.0 mV/V
- Output Resistance:**
300 to 500 ohm
- Input Resistance:**
300 to 500 ohm
- Material/Finish:**
Aluminum
- Temperature:**
Compensated:
14 °F to 104 °F (-10 °C to 40 °C)
Operating:
0 °F to 150 °F (-18 °C to 65 °C)
- Seal Type:**
Environmentally sealed, IP67
- Safe Overload:**
150% full scale
- Rated Excitation:**
5 to 10 VDC (15 V maximum)
- Combined Error:**
0.02% full scale
- Insulation Resistance:**
1,000 megohm
- Cable Length:**
10 ft
- Cable Diameter:**
0.190 in PVC jacket
- Deflection at Capacity:**
50 to 635 kg < 0.6 mm
- Cable Color Code:**
Green +Excitation
Black -Excitation
Red +Signal
White -Signal
Blue +Sense
Brown -Sense
- Max Platform Size:**
24 × 24 in
- Warranty:**
Two-year limited
- Approvals:**
NTEP 05-112
FM



Picture is a representation of actual product.

Approvals

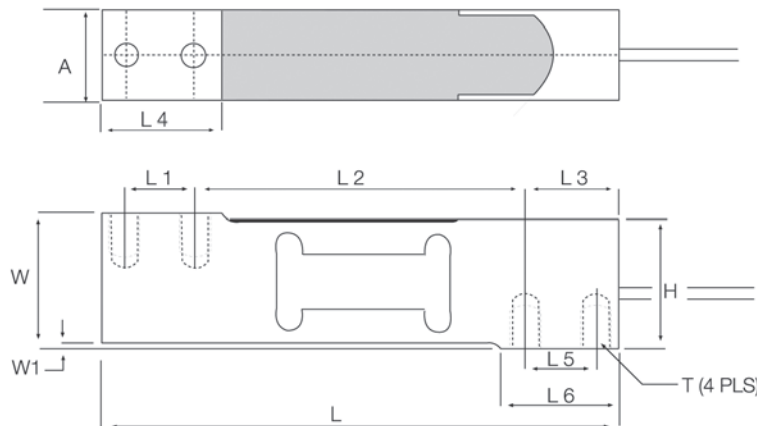


Order Information

Load Rating	Part #	Est. Weight	Price
1 kg	40955	1 lb	Consult

Dimensions

Rated Capacity	A	H	L	L1	L2	L3	L4	L5	L6	W	W1	T
kg/mm												
1	20.0	39.0	150.0	19.0	100.0	25.0	34.0	19.0	34.0	40.0	1.0	1/4-20 UNC



Interchangeable Products

- RICE LAKE WEIGHING SYSTEMS
- RLSP4**
- VPG® TEDEA-HUNTLEIGH®
- 1042**
- HBK®
- SP4M**
- FLINTEC®
- PC 42**

Specifications

- Full Scale Output:**
2.0 mV/V
- Output Resistance:**
350 (± 3) ohm
- Input Resistance:**
415 (± 15) ohm
- Material/Finish:**
Aluminum
- Temperature:**
Compensated:
14 °F to 104 °F (-10 °C to 40 °C)
Operating:
0 °F to 150 °F (-18 °C to 65 °C)
- Seal Type:**
Environmentally sealed, IP66
- Safe Overload:**
150% full scale
Over-center loading point
- Rated Excitation:**
5 to 10 VDC (15 V maximum)
- Combined Error:**
0.02% full scale
- Insulation Resistance:**
2,000 megohm
- Deflection at Capacity:**
0.015 in
- Cable Length:**
10 ft
- Cable Diameter:**
0.200 in PVC jacket
- Cable Color Code:**
Green +Excitation
Black -Excitation
Red +Signal
White -Signal
Blue +Sense
Brown -Sense
- Max Platform Size:**
16 × 16 in
- Warranty:**
Two-year limited
- Approvals:**
NTEP 97-138
FM

SINGLE POINT
RL1040

Aluminum, NTEP Certified 1:5,000 Class III Single Cell, Potted and Unpotted, IP65/IP67

LOAD CELLS /
WEIGH MODULES



Picture is a representation of actual product.

Approvals

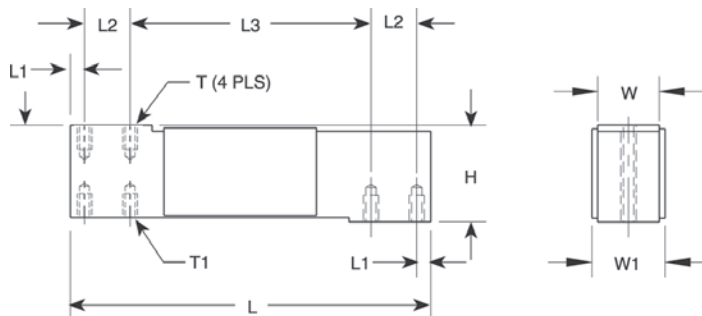


Order Information

Load Rating	Part #	Est. Weight	Price
Potted IP67			
7 kg	32860	2 lb	Consult
10 kg	32861	2 lb	Consult
15 kg	32862	2 lb	Consult
20 kg	32863	2 lb	Consult
30 kg	32864	2 lb	Consult
50 kg	32865	2 lb	Consult
100 kg	32866	2 lb	Consult
Unpotted IP65			
5 kg	32859	2 lb	Consult

Dimensions

Rated Capacity	H	L	L1	L2	L3	T	T1	W	W1
kg/mm									
5 to 100	40.0	150.0	5.95	19.1	100.0	1/4-20 UNC × 10 DP	1/4-28 UNF × 10 DP	25.4	29.4



Interchangeable Products

VPG® TEDEA-HUNTLEIGH®
1040
CARDINAL®
TSP

Specifications

- Full Scale Output:**
2.0 mV/V
- Output Resistance:**
350 (± 3) ohm
- Input Resistance:**
415 (± 5) ohm
- Material/Finish:**
Anodized aluminum
- Temperature:**
Compensated:
14 °F to 104 °F (-10 °C to 40 °C)
Operating:
0 °F to 150 °F (-18 °C to 65 °C)
- Seal Type:**
Potted, IP67
Unpotted, IP65
- Safe Overload:**
200% at center loading point, full scale
- Rated Excitation:**
5 to 10 VDC (15 V maximum)
- Combined Error:**
0.02% full scale
- Insulation Resistance:**
2,000 megohm
- Deflection at Capacity:**
0.4 mm
- Cable Length:**
10 ft
- Cable Diameter:**
0.200 in PVC jacket
- Cable Color Code:**
Green +Excitation
Black -Excitation
Red +Signal
White -Signal
Blue +Sense
Brown -Sense
- Max Platform Size:**
15.75 × 15.75 in
- Warranty:**
Two-year limited
- Approvals:**
NTEP 95-074
cFMus



Picture is a representation of actual product.

Approvals

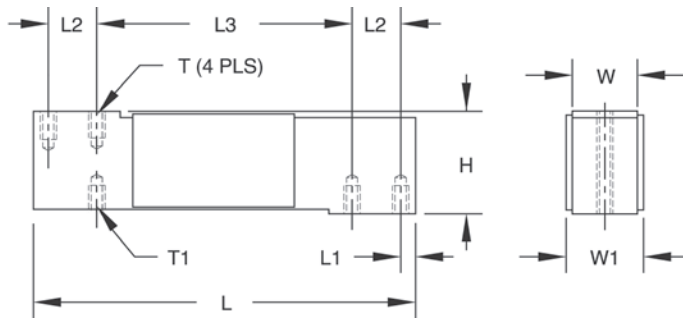


Order Information

Load Rating	Part #	Est. Weight	Price
15 kg	17544	3 lb	Consult
30 kg	17545	3 lb	Consult
50 kg	17546	3 lb	Consult
75 kg	17547	3 lb	Consult
100 kg	17548	3 lb	Consult
150 kg	36467	3 lb	\$339.00

Dimensions

Rated Capacity	H	L	L1	L2	L3	T	T1	W	W1
kg/mm									
15 to 150	40.0	150.0	6.0	19.1	100.0	1/4-20 UNC x 10 DP	1/4-28 UNF x 10 DP	25.4	29.4



Interchangeable Products

VPG® TEDEA-HUNTLEIGH®
1140

Specifications

- Full Scale Output:**
2.0 mV/V
- Output Resistance:**
350 (± 5) ohm, nominal
- Input Resistance:**
383 (± 15) ohm
- Material/Finish:**
Stainless steel
- Temperature:**
Operating:
14 ° F to 104 ° F (-10 ° C to 40 ° C)
Compensated:
14 ° F to 104 ° F (-10 ° C to 40 ° C)
- Seal Type:**
Environmentally sealed, IP65
- Safe Overload:**
200% at center loading point, full scale
- Rated Excitation:**
5 to 10 VDC (15 V maximum)
- Combined Error:**
0.02% full scale
- Insulation Resistance:**
2,000 megohm
- Deflection at Capacity:**
0.4 mm
- Cable Length:**
10 ft
- Cable Diameter:**
0.200 in PVC jacket
- Cable Color Code:**
Green +Excitation
Black -Excitation
Red +Signal
White -Signal
Blue +Sense
Brown -Sense
- Max Platform Size:**
15.75 x 15.75 in
- Warranty:**
Two-year limited
- Approvals:**
cFMus

SINGLE POINT
RL1380

Stainless Steel, Environmentally Sealed, NTEP Certified 1:3,000 Class III Single Cell, IP67

LOAD CELLS /
WEIGH MODULES



Picture is a representation of actual product.

Approvals

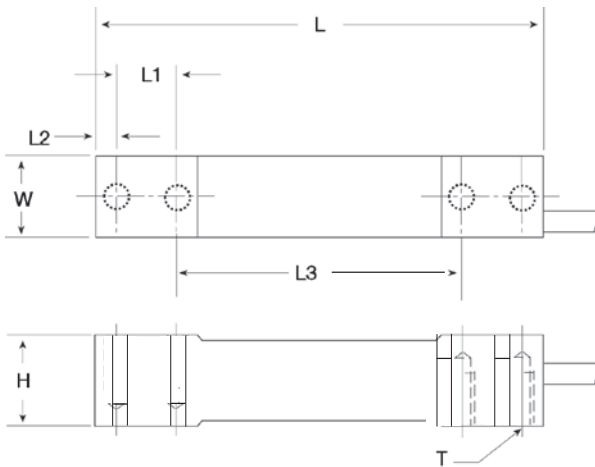


Order Information

Load Rating	Part #	Est. Weight	Price
7 kg	30783	2 lb	Consult
10 kg	30782	2 lb	Consult
15 kg	30781	2 lb	Consult
30 kg	30780	2 lb	Consult
60 kg	30779	2 lb	Consult

Dimensions

Rated Capacity	H	L	L1	L2	L3	T	W
kg/mm							
7 to 15	30.2	139.7	19.1	6.4	88.9	1/4-20 UNC	19.0
30 to 60	30.2	139.7	19.1	6.4	88.9	1/4-20 UNC	23.6



Interchangeable Products

HBK®
PWS

Specifications

- Full Scale Output:**
2.0 mV/V
- Output Resistance:**
359 (± 10) ohm
- Input Resistance:**
390 (± 15) ohm
- Material/Finish:**
Stainless steel
- Temperature:**
Compensated:
14 °F to 104 °F (-10 °C to 40 °C)
Operating:
0 °F to 150 °F (-18 °C to 65 °C)
- Seal Type:**
Environmentally sealed, IP67
- Safe Overload:**
150% full scale
- Rated Excitation:**
5 to 10 VDC (15 V maximum)
- Combined Error:**
0.03% full scale
- Insulation Resistance:**
5,000 megohm
- Deflection at Capacity:**
<0.4 mm full scale
- Cable Length:**
10 ft
- Cable Diameter:**
0.190 in
Polyurethane jacket
- Cable Color Code:**
Green +Excitation
Black -Excitation
White +Signal
Red -Signal
Yellow Shield
- Max Platform Size:**
15.75 × 15.75 in
- Warranty:**
Two-year limited
- Approvals:**
NTEP 94-128
FM



Picture is a representation of actual product.

Approvals

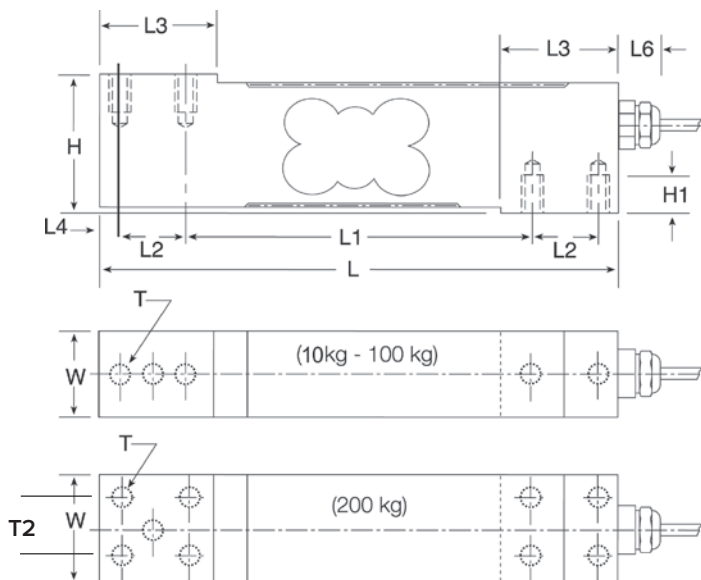


Order Information

Load Rating	Part #	Est. Weight	Price
NTEP Certified			
10 kg	41405	3 lb	Consult
15 kg	41233	3 lb	Consult
30 kg	41234	3 lb	Consult
50 kg	41235	3 lb	Consult
75 kg	41236	3 lb	Consult
Non-NTEP Certified			
100 kg	41237	3 lb	Consult
200 kg	41406	4 lb	Consult

Dimensions

Rated Capacity	H	H1	L	L1	L2	L3	L4	L6	W	T	T2
kg/mm											
10 to 100	40.0	10.0	150.0	100.0	19.0	32.0	6.0	20.0	25.4	1/4-20 UNC x 19.1 DP	N/A
200	40.0	10.0	150.0	100.0	19.0	32.0	6.0	20.0	38.1	1/4-20 UNC x 19.1 DP	25.4



Interchangeable Products

FLINTEC®
PC1

Specifications

- Full Scale Output:**
2.0 mV/V
- Output Resistance:**
330 (± 25) ohm
- Input Resistance:**
390 (± 20) ohm
- Material/Finish:**
Stainless steel
- Temperature:**
Operating:
0 °F to 150 °F (-18 °C to 65 °C)
- Seal Type:**
Environmentally sealed, IP67
- Safe Overload:**
200% full scale
- Rated Excitation:**
5 VDC (15 V maximum)
- Combined Error:**
0.02% full scale
- Insulation Resistance:**
5,000 megohm
- Cable Length:**
10 ft
- Cable Diameter:**
0.196 in
Polyurethane jacket
- Cable Color Code:**
Green +Excitation
Black -Excitation
White +Signal
Red -Signal
Yellow Shield
- Max Platform Size:**
18 × 18 in
- Warranty:**
Two-year limited
- Approvals:**
NTEP 00-125
FM

SINGLE POINT
RL260FD

Fluid Damped, Stainless Steel, Environmentally Sealed, NTEP Certified Single Cell 1:3,000, IP68

LOAD CELLS /
WEIGH MODULES



Protective Cover

Picture is a representation of actual product.

Approvals

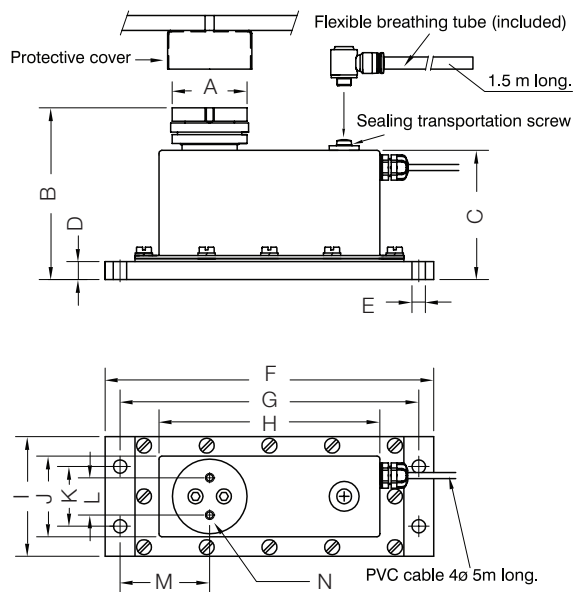


Order Information

Load Rating	Part #	Est. Weight	Price
2 kg	194928	8 lb	Consult
3 kg	199001	8 lb	Consult
5 kg	194929	8 lb	Consult
7 kg	194930	8 lb	Consult
10 kg	194932	8 lb	Consult
15 kg	194933	8 lb	Consult
20 kg	194934	8 lb	Consult
30 kg	194935	8 lb	Consult
50 kg	194936	16 lb	Consult

Dimensions

Rated Capacity	A	B	C	D	E	F	G	H	I	J	K	L	M	N
kg/mm														
2 to 50	50 dia	115.0	86.5	12.0	9.0	220.0	200.0	148.0	80.0	54.0	40.0	25.0	60.0	1/4-20 UNC



Interchangeable Products

VPG® TEDEA-HUNTLEIGH®
240*

*5000d NTEP, 10ft cable

Specifications

Full Scale Output:
2.0 mV/V

Output Resistance:
350 (± 3) ohm

Input Resistance:
400 (± 20) ohm

Material/Finish:
Stainless steel

Temperature:
Compensated:
14 °F to 104 °F (-10 °C to 40 °C)
Operating:
0 °F to 150 °F (-18 °C to 65 °C)

Seal Type:
Environmentally sealed, IP68

Safe Overload:
200% of full scale

Rated Excitation:
5 to 10 VDC

Combined Error:
0.017% full scale

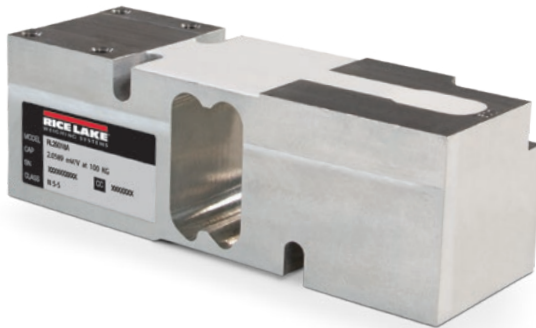
Insulation Resistance:
> 5,000 megohm

Cable Length:
5 m

Cable Color Code:
Green +Excitation
Black -Excitation
Red +Signal
White -Signal
Blue +Sense
Yellow -Sense

Warranty:
Two-year limited

Approvals:
NTEP 20-045
cFMus



Picture is a representation of actual product.

Approvals

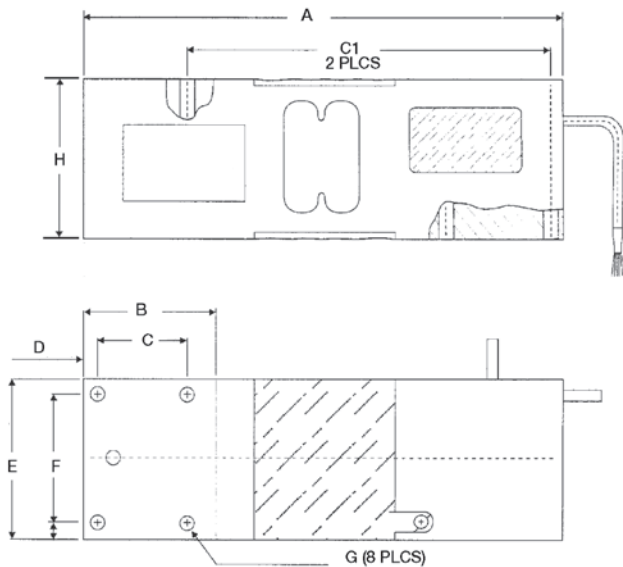


Order Information

Load Rating	Part #	Est. Weight	Price
50 kg	188682	5 lb	Consult
75 kg	188683	5 lb	Consult
100 kg	188684	5 lb	Consult
150 kg	188685	5 lb	Consult
200 kg	188686	5 lb	Consult
250 kg	188687	5 lb	Consult
300 kg	188688	5 lb	Consult
500 kg	188689	5 lb	Consult
635 kg	188690	5 lb	Consult

Dimensions

Rated Capacity	A	B	C	C1	D	E	F	G	H
kg/mm									
50 to 635	188.0	52.0	35.0	142.0	5.5	63.5	50.0	5/16-18 UNC	62.3



Interchangeable Products

- RICE LAKE WEIGHING SYSTEMS
RLPWM16
- RICE LAKE WEIGHING SYSTEMS
RL1260
- VPG® TEDEA-HUNTLEIGH®
1260

Specifications

- Full Scale Output:**
2.0 mV/V nominal
- Output Resistance:**
350 (± 3) ohm
- Input Resistance:**
415 (± 15) ohm
- Material/Finish:**
Anodized aluminum
- Temperature:**
Compensated:
14 °F to 104 °F (-10 °C to 40 °C)
Operating:
0 °F to 150 °F (-18 °C to 65 °C)
- Seal Type:**
Environmentally sealed, IP67
- Safe Overload:**
150% of full scale
- Rated Excitation:**
5 to 10 VDC (15 V maximum)
- Combined Error:**
0.02% full scale
- Insulation Resistance:**
> 5,000 megohm
- Deflection at Capacity:**
0.3 to 0.5 mm
- Cable Length:**
10 ft
- Cable Color Code:**
Green +Excitation
Black -Excitation
Red +Signal
White -Signal
Blue +Sense
Yellow -Sense
- Warranty:**
Two-year limited
- Approvals:**
NTEP 18-108
cFMus

LOAD CELLS /
WEIGH MODULES

SINGLE POINT
RL1218A

Aluminum, Environmentally Sealed, NTEP Certified 1:5,000 Class III Single Cell, IP67

LOAD CELLS /
WEIGH MODULES



Picture is a representation of actual product.

Approvals

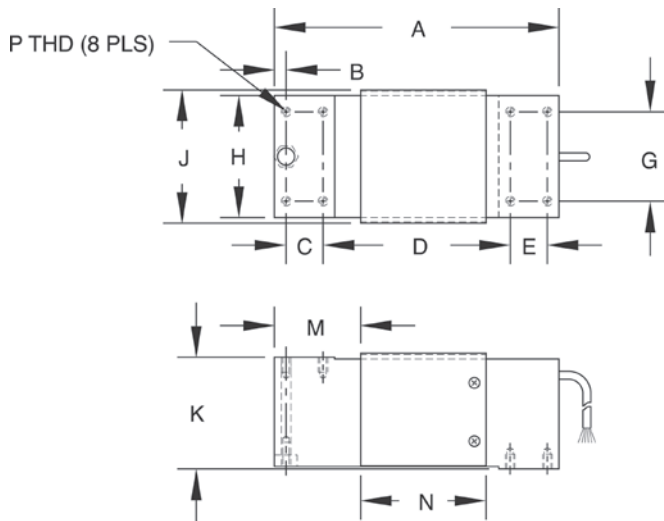


Order Information

Load Rating	Part #	Est. Weight	Price
50 kg	191096	5 lb	Consult
75 kg	191097	5 lb	Consult
100 kg	191098	5 lb	Consult
150 kg	191099	5 lb	Consult
200 kg	191100	5 lb	Consult
250 kg	191101	5 lb	Consult
300 kg	191102	5 lb	Consult
500 kg	191103	5 lb	Consult
635 kg	191104	5 lb	Consult
1,000 kg	191105	5 lb	Consult

Dimensions

Rated Capacity	A	B	C	D	E	G	H	J	K	M	N	P
kg/mm												
50 to 1,000	191.0	8.0	25.0	125.0	25.0	60.0	75.0	82.0	75.0	57.5	85.0	5/16-18 UNC x 15 DP

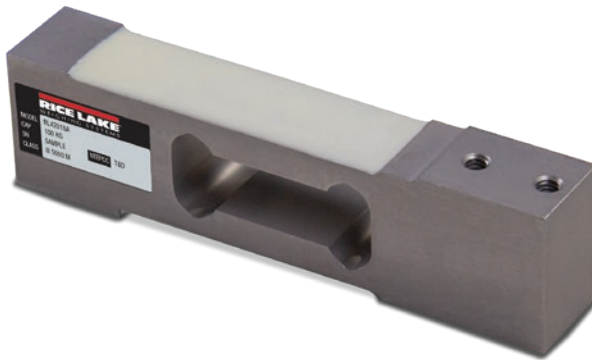


Interchangeable Products

RICE LAKE WEIGHING SYSTEMS
RLPWM12
VPG® TEDEA-HUNTLEIGH®
1250

Specifications

- Full Scale Output:** 2.0 mV/V nominal
- Output Resistance:** 350 (± 3) ohm
- Input Resistance:** 415 (± 15) ohm
- Material/Finish:** Anodized aluminum
- Temperature:** Compensated: 14 °F to 104 °F (-10 °C to 40 °C)
Operating: 0 °F to 150 °F (-18 °C to 65 °C)
- Seal Type:** Environmentally sealed, IP67
- Safe Overload:** 150% full scale
- Rated Excitation:** 5-10 VDC (15 V maximum)
- Combined Error:** 0.02% full scale
- Insulation Resistance:** > 5,000 megohm
- Deflection at Capacity:** 0.4 mm
- Cable Length:** 10 ft
- Cable Color Code:** Green +Excitation
Black -Excitation
Red +Signal
White -Signal
Blue +Sense
Yellow -Sense
- Max Platform Size:** 50 to 500 kg: 800 × 800 mm
635 to 1,000 kg: 600 × 600 mm
- Warranty:** Two-year limited
- Approvals:** NTEP 18-133
cFMus



Picture is a representation of actual product.

Approvals

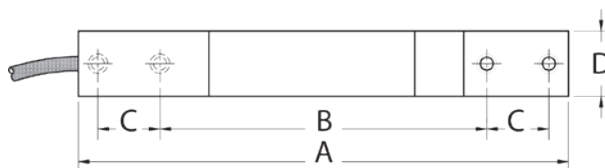
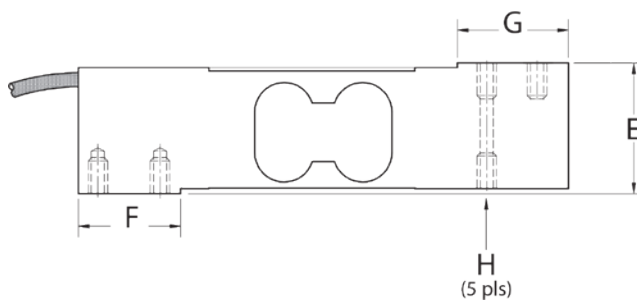


Order Information

Load Rating	Part #	Est. Weight	Price
3 kg	188672	2 lb	Consult
5kg	188673	2lb	Consult
7 kg	188674	2lb	Consult
10 kg	188675	2lb	Consult
15 kg	188676	2lb	Consult
20 kg	188677	2lb	Consult
30 kg	188678	2lb	Consult
50 kg	188679	2lb	Consult
75 kg	188680	2lb	Consult
100 kg	188681	2lb	Consult

Dimensions

Rated Capacity	A	B	C	D	E	F	G	H
kg/mm								
3 to 30	150.0	100.0	19.0	20.0	40.0	31.2	34.0	1/4-20 UNC
50 to 100	150.0	100.0	19.0	25.4	40.0	31.2	34.0	1/4-20 UNC



Interchangeable Products

RICE LAKE WEIGHING SYSTEMS
RL1042

RICE LAKE WEIGHING SYSTEMS
RLSP4

VPG® TEDEA-HUNTLEIGH®
1042

HBK®
SP4M*

*Color code is different

Specifications

Full Scale Output:

2.0 mV/V ± 10%

Output Resistance:

350 (± 3) ohm

Input Resistance:

400 (± 20) ohm

Material/Finish:

Aluminum

Temperature:

Compensated:

14 °F to 104 °F (-10 °C to 40 °C)

Operating:

0 °F to 150 °F (-18 °C to 65 °C)

Seal Type:

Environmentally sealed, IP66

Safe Overload:

150% of full scale at center loading point

Rated Excitation:

10 VDC

Combined Error:

0.02% full scale

Insulation Resistance:

> 5,000 megohm

Deflection at Capacity:

0.3 to 0.5 mm

Cable Length:

10 ft

Cable Color Code:

Green +Excitation

Black -Excitation

Red +Signal

White -Signal

Blue +Sense

Yellow -Sense

Max Platform Size:

15.75 × 15.75 in max

Warranty:

Two-year limited

Approvals:

NTEP 18-105

cFMus



LOAD CELLS / WEIGH MODULES



Picture is a representation of actual product.

Interchangeable Products
 AVERY WEIGH-TRONIX®
FLS

Specifications

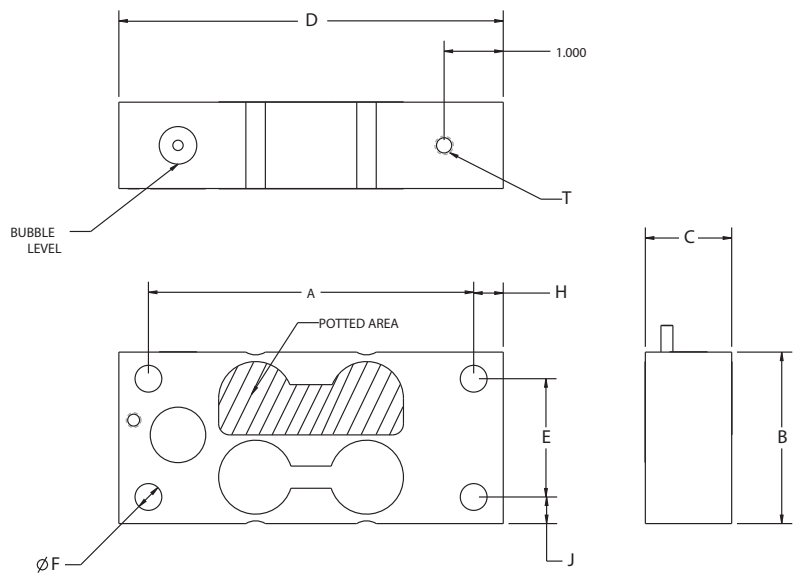
- Full Scale Output:**
1.0 (± 10%) mV/V
- Output Resistance:**
350 (± 3) ohm
- Input Resistance:**
385 (± 10) ohm
- Material/Finish:**
Stainless steel
- Temperature:**
Operating:
0 °F to 150 °F (-18 °C to 65 °C)
- Seal Type:**
Environmentally sealed, IP67
- Safe Overload:**
150% full scale
- Rated Excitation:**
5 to 15 VDC
- Nonlinearity:**
0.02% full scale
- Hysteresis:**
0.02% full scale
- Insulation Resistance:**
5,000 megohm
- Cable Length:**
10 ft
- Cable Color Code:**
Green +Excitation
Black -Excitation
Red +Signal
White -Signal
- Warranty:**
Two-year limited

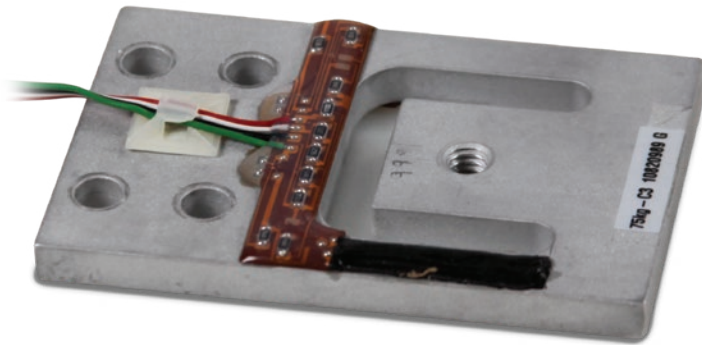
Order Information

Load Rating	Part #	Est. Weight	Price
50 lb	125612	3 lb	Consult

Dimensions

Rated Capacity	A	B	C	D	E	F	H	J	T
50 lb/in	5.50	2.90	0.74	6.50	2.00	0.50	0.50	0.45	5/16-18 UNC x 0.50





Picture is a representation of actual product.

Interchangeable Products

FLINTEC®
PB

Specifications

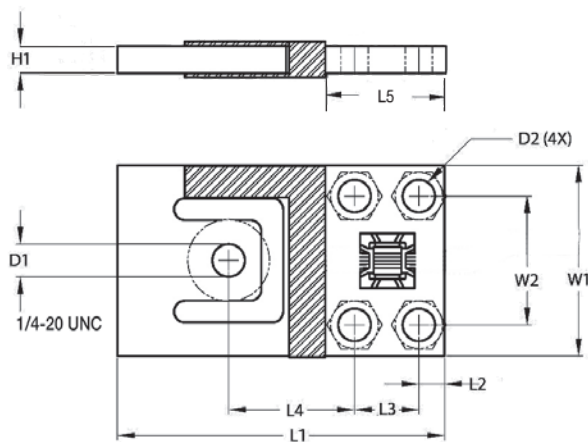
- Full Scale Output:**
1.0 mV/V
- Output Resistance:**
1,000 (± 10) ohm
- Input Resistance:**
1,180 (± 50) ohm
- Material/Finish:**
Aluminum
- Temperature:**
Operating:
0 °F to 150 °F (-18 °C to 65 °C)
- Seal Type:**
Environmentally sealed, IP65
- Safe Overload:**
150% full scale
- Rated Excitation:**
5 to 15 VDC
- Combined Error:**
0.05% full scale
- Insulation Resistance:**
5,000 megohm
- Cable Length:**
15 kg: 1.0 m
37.5 kg, 75 kg, 150 kg: 1.5 m
- Cable Color Code:**
Green +Excitation
Black -Excitation
White +Signal
Red -Signal
- Warranty:**
Two-year limited

Order Information

Load Rating	Part #	Est. Weight	Price
15 kg	100272	1 lb	Consult
37.5 kg	104645	1 lb	Consult
75 kg	100273	1 lb	Consult
150 kg	100274	1 lb	Consult

Dimensions

Rated Capacity	L1	L2	L3	L4	L5	W1	W2	H1	D1	D2
kg/mm										
15.0	70.0	4.9	14.0	28.0	23.7	39.0	27.8	4.1	7.6	5.1
37.5	76.2	6.0	15.0	29.3	27.0	44.5	30.0	4.8	7.6	6.6
75.0	84.4	6.4	15.0	34.0	27.7	54.8	30.0	6.4	7.6	6.6
150.0	107.3	7.8	22.9	45.9	38.4	69.9	44.5	7.9	9.1	8.1



TENSION LINK
RL2010

Stainless Steel, Environmentally Sealed, IP67

LOAD CELLS /
WEIGH MODULES



Picture is a representation of actual product.

Specifications

- Full Scale Output:**
3.0 (± 0.1%) mV/V
- Bridge Resistance:**
350 ohm, nominal
- Material/Finish:**
Stainless steel
- Temperature:**
Operating:
0 °F to 150 °F (-18 °C to 65 °C)
- Seal Type:**
Environmentally sealed, IP67
- Safe Overload:**
150% full scale
- Rated Excitation:**
5 to 10 VDC (15 V maximum)
- Linearity:**
0.05% full scale
- Repeatability:**
0.03% full scale
- Insulation Resistance:**
5,000 megohm
- Cable Length:**
40 ft
- Cable Diameter:**
0.25 in
Polyurethane jacket with connector
- Cable Color Code:**
Green +Excitation
Black -Excitation
White +Signal
Red -Signal
- Warranty:**
Two-year limited

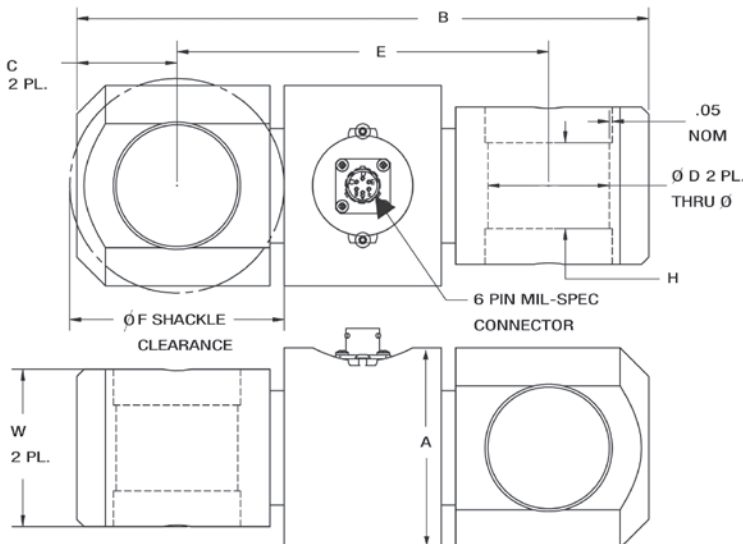
Order Information

Load Rating	Part #	Est. Weight	Price
5,000 lb	117731	5 lb	Consult
10,000 lb	117732	5 lb	Consult
25,000 lb	117733	8 lb	Consult
50,000 lb	117735	34 lb	Consult
75,000 lb	117736	34 lb	Consult
100,000 lb	117737	56 lb	Consult
150,000 lb	117738	56 lb	Consult
200,000 lb	117739	95 lb	Consult
250,000 lb	117740	117 lb	Consult
300,000 lb	117741	191 lb	Consult
500,000 lb	117742	191 lb	Consult
Replacement Parts			
40 ft load cell cable	187132		Consult

NOTE: Consult factory for shackles

Dimensions

Rated Capacity	A	B	C	ØD	E	ØF	W	H
5,000 to 10,000	2.00	6.50	1.00	1.05	4.50	2.38	1.37	0.75
25,000	2.75	8.00	1.38	1.55	5.25	2.88	2.00	1.00
50,000 to 75,000	3.25	14.00	2.50	2.31	9.00	5.00	3.00	1.75
100,000 to 150,000	4.00	16.00	2.88	2.88	10.25	6.25	4.00	2.00
200,000	6.00	18.00	3.25	3.38	11.50	6.50	4.75	2.38
250,000	6.50	20.00	3.75	3.88	12.50	7.50	5.00	2.75
300,000 to 500,000	7.50	24.00	4.50	4.31	15.00	9.50	5.40	3.00





Standard Features

- Customized for individual integrated solutions where it will be permanently installed to monitor loads and overloading protection. Machined from 17-4 stainless steel ensures safety, strength and corrosion resistance.

(Contact MSI for application consultation)

For most overhead weighing applications, traditional scales are an ideal solution. However, applications with limited to no headroom require specialty equipment beyond even reduced-height or low-profile crane scales.

One such solution is an MSI load pin sensor. A load pin sensor is a type of load cell that directly replaces clevis, pivot, normal shaft or equalizer pins. Load pin sensors are designed to be permanently installed, so they can continuously monitor vertical or horizontal tension. An integrated load pin provides load monitoring and overload protection without impacting headroom to promote safety and to prevent costly equipment damage.

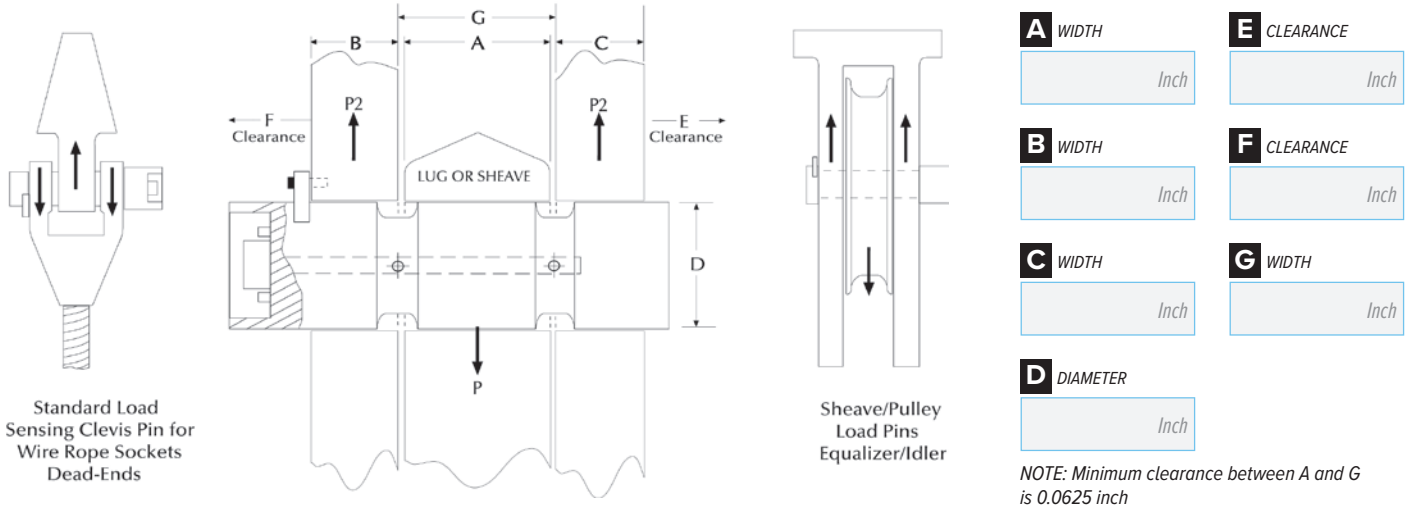
Rice Lake's industry leading engineers design and manufacture custom load pin sensors for any application. Every load pin is constructed from stainless steel for safety, strength (minimum 5:1) and corrosion resistance.

To receive a quote for a load pin sensor, complete the load pin questionnaire on page 752 or online at www.ricelake.com/questionnaires. For further assistance, contact an MSI overhead weighing specialist.

Load Pin Questionnaire

Company: Name:
 Date: Phone: Email:

Load Pin Critical Dimensions



Load Pin Data

Lube port: Yes No No. of exits

Hoist capacity: tons

Part of wire rope:

Sensor capacity: tons

Safety factor: 3:1 5:1 7:1 10:1

Application:

Accuracy requirement:

Temperature requirement:

Output requirement:

Material testing requirements:

Load vector orientation/alignment:
 ← → ↑ ↓

Cable Connections

End-mounted cable:

End-mounted connector (standard):

Side-mounted cable:

Side-mounted connector

Recessed connector:

Sensor's cable length: feet

Comments:



Standard Features

- Integrates between a crane block and lifting equipment to provide force measurement for lifted items. This is an ideal solution for crane weighing and features a 7:1 safety factor for compliance with industrial and military safety requirements.

Options

(Contact MSI for application consultation)

- Top lifting eye or shackle with Crosby® (or equivalent) 360° thrust-bearing swivel hook

Specifications

Accuracy:

0.1% sensor accuracy

Rating/Material:

4340 steel

Full Scale Output:

0.8 mV/V

Output Resistance:

2,000 ohm

Input Resistance:

1,500 ohm

Connector Pin Out:

- A: EX +
- B: Sig +
- C: Sig -
- D: EX -

Part Number/Price

Part #	Description	Price
181907	2 K 7200 style load cell only	Consult
181908	5 K 7200 style load cell only	Consult
181909	10 K 7200 style load cell only	Consult
178093	25 K 7200 style load cell only	Consult
178094	50 K 7200 style load cell only	Consult
181910	100 K 7200 style load cell only	Consult

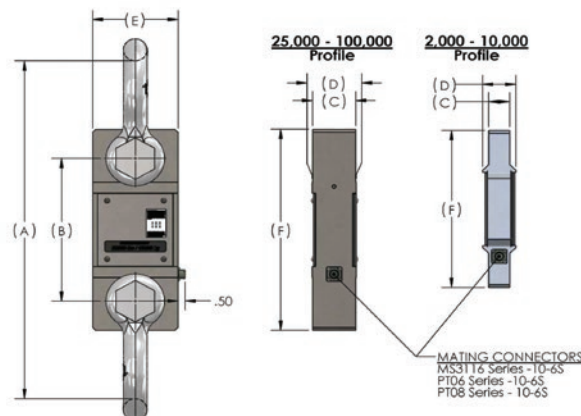
Contact factory for higher capacities

Options/Accessories

Part #	Description	Price
165978	Load cell to MSI-7001 interface cable, 6.5 ft	Consult
165979	Load cell to MSI-7001 interface cable, 10 ft	Consult
165990	Load cell to MSI-7001 interface cable, 25 ft	Consult
134505	Load cell mating cable to bare wires, 10 ft	Consult

Dimensions

Capacity (lbs)	P/N	Load Cell Material	(A) Headroom Loss	(B) C-C Length	(C) Lug Thk	(D) Body Thk	(E) Body Width	(F) Body Length	Lug Hole	Crosby Shackle
2,000	181907	Aluminum	13.50 in	8.00 in	0.99 in	2.13 in	4.50 in	9.75 in	0.78 in	3-1/4 T 151357
5,000	181908	Aluminum	13.50 in	8.00 in	0.99 in	2.13 in	4.50 in	9.75 in	0.78 in	3-1/7 T 151357
10,000	181909	Aluminum	16.13 in	8.50 in	1.35 in	2.13 in	5.37 in	10.75 in	1.05 in	6-1/2 T 151355
25,000	178093	Steel	22.39 in	9.26 in	2.24 in	2.24 in	4.80 in	12.76 in	1.67 in	17 T 141992
50,000	178094	Steel	25.74 in	9.76 in	2.74 in	2.81 in	5.43 in	13.76 in	2.05 in	25 T 151356
100,000	181910	Steel	28.49 in	10.74 in	3.09 in	3.09 in	6.86 in	15.74 in	2.30 in	55 T 146336



MSI Clamp-On

Load Cell

LOAD CELLS /
WEIGH MODULES



Standard Features

- A durable solution for measuring wire rope tension and preventing overloads for cranes and hoists. Available in two envelopes for accommodating the most common wire ropes. With the SCT-2000, weight-based setpoints can provide the operator alerts and safety shut-offs based on unsafe load conditions.

Options

(Contact MSI for application consultation)

- Custom sizes available on request
- Pair with an SCT transmitter for basic safety functions

Specifications

Rating/Material:

4340 steel, zinc plated
IP68

Output Resistance:

350 ohm

System Accuracy of Calibrated

Capacity:

3 to 5%

Cable Length:

20 ft integral cable with blunt end termination

Cable Color Code:

Red +Excitation
Black -Excitation
Green +Signal
White -Signal

Part Number/Price

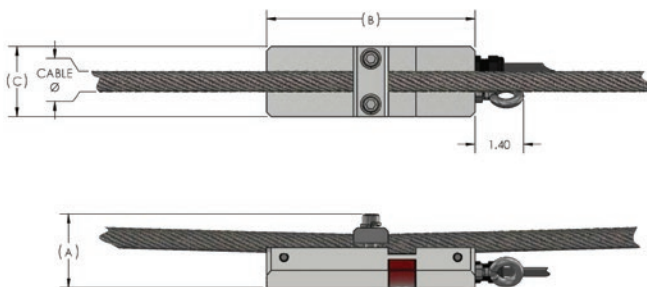
Part #	Description	Price
179080	Load Cell Assembly Clamp-On for 3/8 to 1/2 in wire rope	Consult
179082	Load Cell Assembly Clamp-On for 9/16 to 3/4 in wire rope	Consult
188816	Kit with SCT-2200 for 3/8 to 1/2 in wire rope	Consult
188817	Kit with SCT-2200 for 9/16 to 3/4 in wire rope	Consult

Larger diameter clamp ons available - call for pricing

Dimensions

Cable Range	Part #	A	B	C
3/8 to 1/2	179080	Cable + 1.70	6.00	2.00
9/16 to 3/4	179082	Cable + 1.67	6.00	2.00

*8 mm cable can be used with PN 179080



Optional SCT-2200 transmitter