

# Pipe Lever Scales

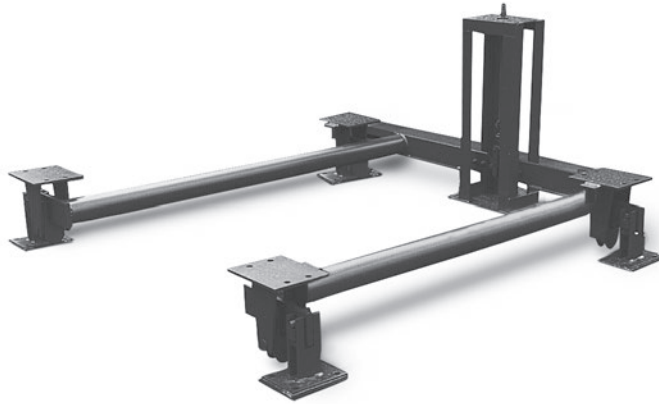
---

TABLE OF CONTENTS

Pipe Lever Scale..... 820  
Pipe Lever Scale Questionnaire ..... 821

*Product names, logos, brands and other trademarks featured or referred to within this publication are the property of their respective trademark holders.*

# Pipe Lever Scale



## Approvals



## Part Number/Price

| Part #                           | Dimensions         | Est. Weight | Price       |
|----------------------------------|--------------------|-------------|-------------|
| <b>25,000 lb</b>                 |                    |             |             |
| 29587                            | 62 5/8 × 62 5/8 in | 532 lb      | \$4,500.00  |
| 29586                            | 60 1/2 × 66 in     | 528 lb      | \$4,500.00  |
| 29588                            | 66 1/2 × 91 in     | 640 lb      | \$4,500.00  |
| 29589                            | 64 × 64 in         | 538 lb      | \$4,500.00  |
| 35008                            | 62 × 92 in         | 561 lb      | \$4,500.00  |
| 35009                            | 62 × 105 in        | 720 lb      | \$4,500.00  |
| 40409                            | 72 × 72 in         | 618 lb      | \$4,500.00  |
| 83433                            | 64 3/4 × 64 3/4 in | 567 lb      | \$4,500.00  |
| <b>25,000 lb Stainless Steel</b> |                    |             |             |
| 46264                            | 62 5/8 × 62 5/8 in | 405 lb      | \$9,900.00  |
| 46265                            | 60 1/2 × 66 in     | 550 lb      | \$9,900.00  |
| 46266                            | 66 1/2 × 91 in     | 610 lb      | \$9,900.00  |
| 50172                            | 64 × 64 in         | 550 lb      | \$9,900.00  |
| 50173                            | 62 × 92 in         | 680 lb      | \$9,900.00  |
| 50174                            | 62 × 105 in        | 720 lb      | \$9,900.00  |
| <b>40,000 lb</b>                 |                    |             |             |
| 39152                            | 5 × 5 ft           | 1,885 lb    | \$11,200.00 |
| 39153                            | 6 × 6 ft           | 1,975 lb    | \$11,200.00 |
| 39154                            | 7 × 7 ft           | 2,220 lb    | \$11,200.00 |
| 39155                            | 8 × 8 ft           | 2,310 lb    | \$11,200.00 |
| 39156                            | 9 × 9 ft           | 2,545 lb    | \$11,200.00 |
| 39157                            | 10 × 10 ft         | 2,635 lb    | \$11,200.00 |
| <b>50,000 lb</b>                 |                    |             |             |
| 39158                            | 5 × 5 ft           | 2,010 lb    | \$11,200.00 |
| 39159                            | 6 × 6 ft           | 2,120 lb    | \$11,200.00 |
| 39160                            | 7 × 7 ft           | 2,385 lb    | \$11,200.00 |
| 39161                            | 8 × 8 ft           | 2,495 lb    | \$11,200.00 |
| 39162                            | 9 × 9 ft           | 2,750 lb    | \$11,200.00 |
| 39163                            | 10 × 10 ft         | 2,860 lb    | \$11,200.00 |

## Standard Features

- NTEP Certified and Measurement Canada Approved models available
- RL20000 alloy steel load cell standard (prices include load cell and ITCM load cell assembly)
- Mild steel construction, black paint finish
- Stainless steel, hermetically sealed load cells available
- Custom sizes and capacities available from 5,000 to 60,000 lb

## Specifications

### End Load Capacity:

100% full scale

### mV/V Output:

1.50 to 1.87 mV/V nominal

### Cable Length:

20 ft (6.1 m)

### Warranty:

One-year limited

### Approvals:

NTEP CC 94-126

Class III/IIII

Measurement Canada Approved, AM-5114, Legal For Trade on sizes greater than 1.6 m, or a capacity greater than 10,000 kg



Custom sizes fit your tank/hopper system for fewer modifications and less installation time.

# Pipe Lever Scale Questionnaire



Company \_\_\_\_\_

Name \_\_\_\_\_ Date \_\_\_\_\_

Phone \_\_\_\_\_ Fax \_\_\_\_\_ Email \_\_\_\_\_

|   | 5K/10K Total Load* |          | 25K Total Load* |          | 30K Total Load* |          | 40K/60K Total Load* |          |
|---|--------------------|----------|-----------------|----------|-----------------|----------|---------------------|----------|
|   | Standard           | Minimum  | Standard        | Minimum  | Standard        | Minimum  | Standard            | Minimum  |
| A | –                  | 48.00 in | –               | 48.00 in | –               | 60.00 in | –                   | 60.00 in |
| B | –                  | 48.00 in | –               | 48.00 in | –               | 60.00 in | –                   | 60.00 in |
| C | 12.25 in           | 4.50 in  | 15.50 in        | 7.00 in  | 15.62 in        | 7.00 in  | 18.00 in            | 7.00 in  |
| D | 6.00 in            | 6.00 in  | 9.50 in         | 8.75 in  | 9.50 in         | 8.75 in  | 13.00 in            | 12.00 in |
| E | 6.00 in            | 6.00 in  | 9.50 in         | 8.75 in  | 9.50 in         | 8.75 in  | 13.00 in            | 12.00 in |
| F | 8.62 in            | 8.62 in  | 13.56 in        | 13.56 in | 13.81 in        | 13.81 in | 18.18 in            | 18.18 in |
| G | 4.50 in            | 3.50 in  | 6.50 in         | 4.75 in  | 6.50 in         | 4.75 in  | 9.25 in             | 6.50 in  |
| H | 4.50 in            | 3.50 in  | 6.50 in         | 4.75 in  | 6.50 in         | 4.75 in  | 9.25 in             | 6.50 in  |
| J | 24.00 in           | 24.00 in | 32.25 in        | 32.25 in | 32.25 in        | 32.25 in | 37.25 in            | 37.25 in |

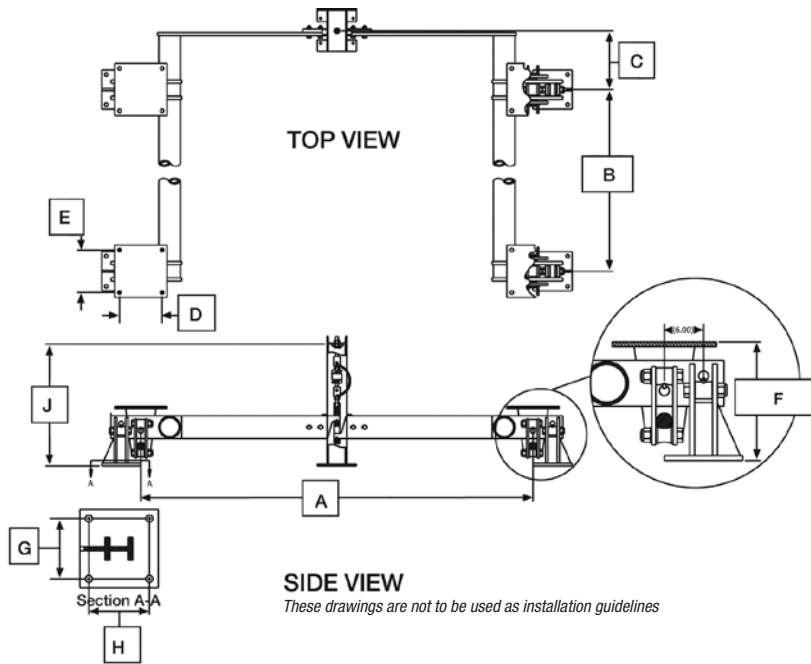
A x B must be equal to or less than 64 square feet. If, over consult factory.

\* Live and dead load

A x B must be equal to or less than 100 square feet. If, over consult factory.

A x B must be equal to or less than 100 square feet. If, over consult factory.

A x B must be equal to or less than 100 square feet. If, over consult factory.



|     |  |
|-----|--|
| A   |  |
| B   |  |
| C   |  |
| D+  |  |
| E+  |  |
| F   |  |
| G** |  |
| H** |  |
| J   |  |

\*\* Stand hole dimensions +Chair hole dimensions.

Capacity:  5K  10K  25K  30K  40K  50K  60K

Material:  Stainless Steel  Mild Steel

NTEP Required:  Yes  No

Finish: \_\_\_\_\_

Load Cell:  Mild Steel  Stainless Steel Hermetically Sealed  
 Model \_\_\_\_\_ Model \_\_\_\_\_

Form #0652 New 08/2021

