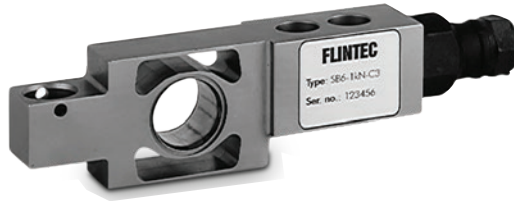


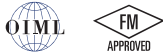
SB6

Stainless Steel, Hermetically Sealed, OIML C3, IP68



Picture is a representation of actual product.

Approvals

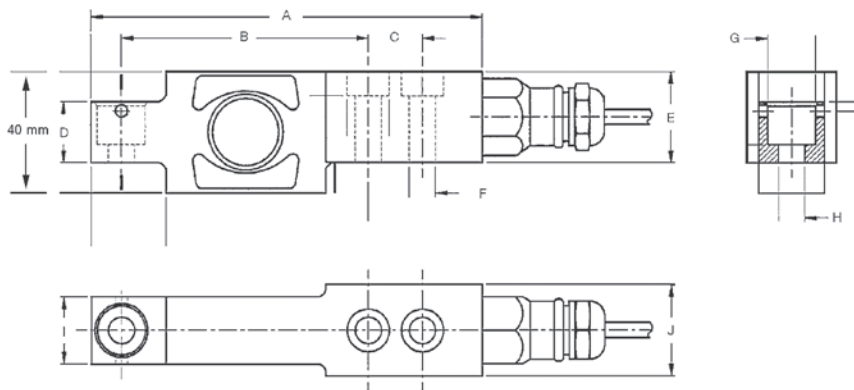


Order Information

| Load Rating | Part # | Est. Weight | Price |
|-------------|--------|-------------|---------|
| 0.2 kN | 41163 | 3 lb | Consult |
| 0.5 kN | 41164 | 3 lb | Consult |
| 1 kN | 41165 | 3 lb | Consult |
| 2 kN | 41166 | 3 lb | Consult |

Dimensions

| Rated Capacity | A | B | C | D | E | F | G | H | I | J |
|----------------|-------|------|------|------|------|-----|------|-----|------|------|
| kN/mm | | | | | | | | | | |
| 0.2 to 2 | 130.0 | 82.0 | 18.0 | 20.0 | 30.0 | 8.7 | 16.0 | 8.7 | 22.0 | 30.0 |



Specifications

- Full Scale Output:**
2.0 mV/V
mV/V/ohm calibration
- Output Resistance:**
1,000 (± 2) ohm
- Input Resistance:**
1,100 (± 50) ohm
- Material/Finish:**
Stainless steel
- Temperature:**
Operating range
0 °F to 150 °F (-18 °C to 65 °C)
- Seal Type:**
Hermetically sealed, IP68
- Safe Overload:**
200% full scale
- Safe Sideload:**
100% full scale
- Rated Excitation:**
5 to 10 VDC (15 V maximum)
- Combined Error:**
0.01% full scale
- Insulation Resistance:**
5,000 megohm
- Cable Length:**
10 ft
- Cable Diameter:**
0.196 in
Polyurethane jacket
- Cable Color Code:**
Green +Excitation
Black -Excitation
White +Signal
Red -Signal
Yellow Shield
- Warranty:**
One-year limited
- Approvals:**
FM
OIML

FLINTEC