

Overhead Weighing

TABLE OF CONTENTS

MSI-3460 Challenger 3	804
<i>Crane Scale</i>	
MSI-4260 Port-A-Weigh	806
<i>Industrial Crane Scale</i>	
MSI-4260 IS Port-A-Weigh	808
<i>Intrinsically Safe Crane Scale</i>	
MSI-4260M Port-A-Weigh	809
<i>Industrial Crane Scale</i>	
MSI-4260M Port-A-Weigh	811
<i>Marine Crane Scale</i>	
MSI-9600HT Hi-Torque Port-A-Weigh Plus	812
<i>High Torque Crane Scale</i>	
MSI-6360 Trans-Weigh	813
<i>Crane Scale</i>	
RL101 Scale	815
<i>Compact Digital Below-the-Hook Scale</i>	
Crane Scale Cart	816
<i>Universal Transport and Storage Cart</i>	
MSI-7300 Dyna-Link 2	817
<i>Digital Tension Dynamometer</i>	
MSI Dyna-Clamp	819
<i>Tension Meter</i>	
MSI Clamp-On	820
<i>Load Cell</i>	
MSI Load Pin Sensors	821
MSI Load Pin Questionnaire	822
MSI Shear Web	823
<i>Load Cell</i>	
MSI Tension Link	824
<i>Load Cell</i>	
Shackle Dimensions	825
MSI-8000	826
<i>RF Remote Display</i>	
MSI-8000HD	827
<i>Indicator/Remote Display</i>	
MSI-8004HD	829
<i>Indicator/RF LED Remote Display</i>	
MSI Scoreboards Wireless RF	831
<i>Featuring LaserLight2 Remote Displays</i>	
TranSend™ MSI-7000	832
<i>Wireless Load Cell Interface System</i>	
TranSend™ MSI-7001	833
<i>Wireless Load Cell Interface System</i>	
TranSend™ MSI-7000HD	835
<i>Wireless Load Cell Interface System</i>	
TranSend™ MSI-7001HD	836
<i>Wireless Load Cell Interface System</i>	
ScaleCore Webserver	837
<i>Wireless Network Router/Webserver</i>	
Rugged Remote	839
Wi-Fi Information Request	840

The following product names, logos, brands and other trademarks featured or referred to within this publication are the property of their respective trademark holders.

MSI-3460 Challenger 3

Crane Scale



Approvals



Standard Features

- Multi-color LED display
- Top lifting eye and bottom swivel hook
- Lb/kg switch selectable
- Six volt rechargeable battery and universal 115/230 VAC, 50/60 Hz battery charger (NA plug standard)
- Meets or exceeds OSHA, ANSI, ASME and other safety design standards (5:1 Ultimate Safety Factor)
- NTEP Certified (250 to 10,000 lb capacities)

Part Number/Price

Part #	Description	Est. Weight	Price
207063	250 lb (125 kg) 0.1 lb (0.05 kg)	22 lb	\$2,700.00
208091	500 lb (250 kg) 0.2 lb (0.1 kg)	22 lb	\$2,700.00
207064	1,000 lb (500 kg) 0.5 lb (0.2 kg)	22 lb	\$2,875.00
208138	2,000 lb (1,000 kg) 1 lb (0.5 kg)	22 lb	\$2,875.00
207065	5,000 lb (2,500 kg) 2 lb (1 kg)	39 lb	\$3,550.00
208092	10,000 lb (5,000 kg) 5 lb (2 kg)	39 lb	\$3,550.00
207067	15,000 lb (7,000 kg) 5 lb (2 kg)	67 lb	\$5,350.00
207633	250 lb (125 kg), RF Modem 0.1 lb (0.05 kg)	22 lb	\$2,875.00
208096	500 lb (250 kg), RF Modem 0.2 lb (0.1 kg) 22 lb	22 lb	\$2,875.00
207635	1,000 lb (500 kg), RF Modem 0.5 lb (0.2 kg) 22 lb	22 lb	\$3,050.00
208140	2,000 lb (1,000 kg), RF Modem 1 lb (0.5 kg)	22 lb	\$3,050.00
207637	5,000 lb (2,500 kg), RF Modem 2 lb (1 kg) 39 lb	39 lb	\$3,725.00
208098	10,000 lb (5,000 kg), RF Modem 5 lb (2 kg) 39 lb	39 lb	\$3,725.00
207639	15,000 lb (7,000 kg), RF Modem 5 lb (2 kg) 67 lb	67 lb	\$5,550.00
207640	250 lb (125 kg), with Wi-Fi 0.1 lb (0.05 kg) 22 lb	22 lb	\$3,025.00
208100	500 lb (250 kg), with Wi-Fi 0.2 lb (0.1 kg) 22 lb	22 lb	\$3,025.00
207642	1,000 lb (500 kg), with Wi-Fi 0.5 lb (0.2 kg) 22 lb	22 lb	\$3,175.00
208141	2,000 lb (1,000 kg), with Wi-Fi 1 lb (0.5 kg) 22 lb	22 lb	\$3,175.00
207644	5,000 lb (2,500 kg), with Wi-Fi 2 lb (1 kg) 39 lb	39 lb	\$3,875.00
208102	10,000 lb (5,000 kg), with Wi-Fi 5 lb (2 kg) 39 lb	39 lb	\$3,875.00
207646	15,000 lb (7,000 kg), with Wi-Fi 5 lb (2 kg)	67 lb	\$5,700.00

Options

(Contact MSI for application consultation)

- RF modem install for connectivity to MSI-8000, MSI-8000HD RF, MSI-8004HD RF remote display, TranSend™ and LaserLight2 remote display (Typical range 100-300 ft line of sight)
- Rugged Remote (control for off, zero, tare and other functions) (Requires 3460RF version, typical range 50 ft line of sight)
- Universal direct power supply (115/230 VAC)
- Audible alarm
- Wi-Fi communication is available for specialty applications

Specifications

Accuracy:

± 0.1% (+1 d) of applied load

Resolution:

2,500 d max standard
(up to 10,000 d max non-standard)

Enclosure:

NEMA 4, IP65, powder coated cast aluminum

Lifting Eye and Hook:

Crosby® or equivalent with 360° non-bearing swivel hook

Design Overload:

200% Safe/500% Ultimate

Functions:

Power, zero, tare, user (programmable)

Display:

Five-digit, 1.5 in (38 mm) LED with programmable brightness control; toggle between red, orange, green digits

Displayable Units:

Pounds or kilogram selectable

Annunciators:

COZ, net, gross, total, peak, low battery, lb/kg, motion, setpoints, ACK IN, ACK OUT, RF

Power:

6 volt rechargeable battery. 115/230 VAC battery charger is included

Operating Time:

Up to 80 hours between charging with typical use. Less with optional RF model link

Temperature:

Certified: 14 °F to 104 °F (-10 °C to 40 °C)
Operating: -40 °F to 104 °F (-40 °C to 40 °C)

Auto-Off Mode:

Select for 15, 30, 45, 60 minutes or off

Auto Sleep Mode:

Power down during non-use and power up with weight change or any key press

Service Counters:

Counts number of lifts over percentage of capacity and lifts over capacity

Filtering:

OFF, LO, HI-1, HI-2 selectable

Warranty:

One-year limited

Approvals:

NTEP 86-021: 250 to 10,000 lb
OIML R76/2006-A-NL1-21.36
CE
UKCA

OVERHEAD WEIGHING

MSI-3460 Challenger 3

Crane Scale

Options/Accessories

Part #	Description	Est. Weight	Price
140049	Battery assembly, 6 volt rechargeable	3 lb	\$165.00
139152	Universal 115/230 VAC, 50/60 Hz battery charger (NA plug standard)	5 lb	\$210.00
139153	Battery charger 115/230 VAC, 50/60 Hz (EC plug standard)	5 lb	\$210.00
197201	Battery charger, 115 VAC, 50/60 Hz (NA plug standard) CEC compliant	5 lb	\$255.00
149549	Universal 115/230 VAC 50/60 Hz (NA plug standard) battery charger for MSI-8000 remote display	3 lb	\$175.00
178004	LaserLight2, 4 in (100 mm) six-digit RF scoreboard (requires MSI-3460 with RF modem)	21 lb	\$2,675.00
178006	LaserLight2, 6 in (150 mm) six-digit RF scoreboard (requires MSI-3460 with RF modem)	37 lb	\$3,175.00
Consult	AC power supply	-	\$325.00
140058	3460 AC conversion kit	1 lb	\$485.00
Consult	Audible alarm	-	\$420.00
Consult	3460 retrofit kit	3 lb	Consult
173014	Rugged remote control (requires MSI-3460 with RF modem)	-	\$355.00
139381	MSI-8000 RF remote display (requires MSI-3460 with RF modem)	5 lb	\$1,500.00
153591	MSI-8000HD ScaleCore RF remote display (requires MSI-3460 with RF modem)	-	\$1,625.00
178281	MSI-8004HD AC, red/green 85~264 VAC, 47~440 Hz, 120~370 VDC	-	\$1,785.00

OVERHEAD
WEIGHING

MSI-4260 Port-A-Weigh

Industrial Crane Scale



Approvals



Measurement
Canada
Approved

Standard Features

- Multi-color LED display
- Top lifting eye or shackle, bottom thrust bearing swivel hook
- 12 volt rechargeable battery and universal 115/230 VAC, 50/60 Hz battery charger (NA plug standard)

Options

(Contact MSI for application consultation)

- Rugged remote control (control for on/off, zero, tare and other functions)
- RF modem install for connectivity to MSI-8000, MSI-8000HD RF, MSI-8004HD RF remote display, TranSend™ and LaserLight2 remote display. Typically 100 to 300 ft, line of sight; for longer range consult factory
- Anti-heat shielding for high temperature applications
- Substitute bottom swivel hook with shackle
- Oversized top lifting eye or shackle
- Oversized bottom hook
- Universal direct power supply; 85 to 265 VAC, 47 to 440 Hz / 130 to 300 VDC
- Wi-Fi communication is available for specialty applications and for use with the ScaleCore Webservice
- Low headroom top adapter
- Audible alarm
- Custom top and bottom interfaces
- Factory Mutual and ATEX approved intrinsically safe models available

Part Number/Price

Part #	Description	Resolution	Est. Weight	Price
197760	500 lb (250 kg), swivel hook, F/A	0.2 lb (0.1 kg)	53 lb	\$5,575.00
197761	2,000 lb (1,000 kg), swivel hook, F/A	1.0 lb (0.5 kg)	53 lb	\$5,600.00
197762	5,000 lb (2,500 kg), swivel hook, F/A	1.0 lb (0.5 kg)	62 lb	\$5,750.00
197763	10,000 lb (5,000 kg), swivel hook, F/A	2.0 lb (1.0 kg)	62 lb	\$6,325.00
197764	20,000 lb (10,000 kg), swivel hook, F/A	5.0 lb (2.0 kg)	105 lb	\$7,300.00
197765	30,000 lb (15,000 kg), swivel hook, F/A	10 lb (5.0 kg)	125 lb	\$7,400.00
197766	50,000 lb (25,000 kg), swivel hook, F/A	10 lb (5.0 kg)	235 lb	\$13,000.00
197767	70,000 lb (35,000 kg), swivel hook, F/A	20 lb (10 kg)	270 lb	\$18,375.00
197768	100,000 lb (50,000 kg), swivel hook, F/A	20 lb (10 kg)	420 lb	\$26,625.00

Specifications

Accuracy:

± 0.1% +1 d of applied load

Resolution:

2,000 to 5,000 d standard
(Up to 10,000 d available)

Enclosure:

NEMA Type 4, IP66 marine grade 356 alloy anodized cast aluminum

Lifting Eye, Shackle & Hook:

Crosby® or equal with 360° thrust-bearing swivel hook

Design Overload:

200% Safe / 500% Ultimate (except where noted)

Functions:

Power, zero, tare, F1 (programmable)

Display:

1.2 in (30 mm), 5-digit, programmable LED display, multi-color (red, orange, green)

Displayable Units:

Pounds or kilograms selectable

Annunciators:

COZ, net, gross, total, peak, low battery, lb/kg, motion, setpoints

Power:

12 V rechargeable battery (115/230 VAC battery charger is included)

Operating Time:

Up to 200 hours between charging with typical use, less with optional RF modem

Temperature:

Certified: 14 °F to 104 °F (-10 °C to 40 °C)
Operating: -40 °F to 122 °F (-40 °C to 50 °C)

Auto-Off Mode:

Select for 15, 30, 45 minutes, 1 hour or off

Auto Sleep Mode:

Power down during non-use and power up with weight change or any key press

Service Counters:

Counts number of lifts over percentage of capacity and lifts over capacity

Filtering:

OFF, LO, HI-1, HI-2 selectable

Warranty:

One-year limited

Approvals:

NTEP 19-122: 500 to 70,000 lb
Measurement Canada AM-6198: 500 to 5,000 lb

OVERHEAD
WEIGHING

MSI-4260 Port-A-Weigh

Industrial Crane Scale

Options/Accessories

Part #	Description	Est. Weight	Price
150971	MSI RF modem option kit (used with MSI-4260, MSI-4260M, MSI-9600HT)	-	\$250.00
139381	MSI-8000 RF remote display (requires MSI-4260 equipped with RF modem)	5 lb	\$1,500.00
173014	RF rugged remote control (requires MSI-4260 equipped with RF modem)	-	\$355.00
153591	MSI-8000HD remote display, AC power and tilt bracket option (requires MSI-4260 equipped with RF modem)	3 lb	\$1,625.00
178281	MSI-8004HD AC, red/green 85~264 VAC, 47~440 Hz, 120~370 VDC (requires MSI-4260 equipped with RF modem)	-	\$1,785.00
159221	Universal crane scale transport cart	180 lb	\$1,340.00
178004	LaserLight2, 4 in (100 mm) six-digit RF scoreboard (requires MSI-4260 equipped with RF modem)	21 lb	\$2,675.00
178006	LaserLight2, 6 in (150 mm) six-digit RF scoreboard (requires MSI-4260 equipped with RF modem)	37 lb	\$3,175.00
Consult	AC direct power supply	-	\$560.00
Consult	Audible alarm	-	\$420.00
Consult	Anti-heat shield	-	\$1,125.00
Consult	4260 retrofit kit	5 lb	Consult
176956	MSI Wi-Fi modem option kit (used in MSI-4260, MSI-4260M, MSI-6360, MSI-9600HT)	-	\$490.00
150367	Battery assembly, 12 V rechargeable	7 lb	\$145.00
138006	Universal 115/230 VAC, 50/60 Hz battery charger (NA plug standard)	4 lb	\$345.00
138007	Universal 115/230 VAC, 50/60 Hz battery charger (UK plug standard)	4 lb	\$370.00
138008	Universal 115/230 VAC, 50/60 Hz battery charger (EC plug standard)	4 lb	\$370.00
149549	Universal 115/ 230 VAC 50/60 Hz (NA plug standard) battery charger for MSI-8000 remote display	3 lb	\$175.00
4260 Sub Hook with Shackle			
Consult	500 to 10,000 lb, 6.5 ton shackle	-	Consult
Consult	20,000 to 30,000 lb, 17 ton shackle	-	Consult
Consult	50,000 lb, 25 ton shackle	-	Consult
Consult	70,000 lb, 40 ton shackle	-	Consult
Consult	100,000 lb, 55 ton shackle	-	Consult
4260 Oversize Lifting Eye/Shackle			
Consult	500 to 10,000 lb capacity	-	Consult
Consult	20,000 to 30,000 lb capacity, adapter with 25 ton shackle	-	Consult
Consult	50,000 to 70,000 lb capacity	-	Consult
Consult	100,000 lb capacity	-	Consult

OVERHEAD
WEIGHING

MSI-4260 IS Port-A-Weigh

Intrinsically Safe Crane Scale



Approvals



Standard Features

- LED display
- Top lifting eye or shackle, bottom thrust bearing swivel hook
- 12 volt rechargeable battery and universal 115/230 VAC, 50/60 Hz battery charger (NA plug standard)

(Contact MSI for application consultation)

Part Number/Price

Part #	Description	Resolution	Price
156013	500 lb (250 kg), swivel hook	0.2 lb (0.1 kg)	\$7,450.00
156014	2,000 lb (1,000 kg), swivel hook	1.0 lb (0.5 kg)	\$7,450.00
156015	5,000 lb (2,500 kg), swivel hook	1.0 lb (0.5 kg)	\$7,450.00
156016	10,000 lb (5,000 kg), swivel hook	2.0 lb (1.0 kg)	\$7,450.00
156017	20,000 lb (10,000 kg), swivel hook	5.0 lb (2.0 kg)	\$9,425.00
156018	30,000 lb (15,000 kg), swivel hook	10 lb (5.0 kg)	\$9,425.00
156019	50,000 lb (25,000 kg), swivel hook	10 lb (5.0 kg)	\$13,900.00
156020	70,000 lb (35,000 kg), swivel hook	20 lb (10 kg)	\$16,425.00
156021	100,000 lb (50,000 kg), swivel hook	20 lb (10 kg)	\$25,300.00

Capacities over 70,000lb are not NTEP

Options/Accessories

Part #	Description	Price
170606	Battery charger	\$330.00
167777	Spare battery	\$295.00

Specifications

Accuracy:

± (0.1% +1 d) of applied load

Resolution:

3,000 to 5,000 d standard
(up to 10,000 d available)

Enclosure:

NEMA Type 4, IP66 marine grade 356 alloy
anodized cast aluminum

Intrinsic Safety:

USA Listings
FM16US0156X
IS Class I, Division 1, Groups C, D; T4 - PN 184530
IS Class II, Division 1, Groups, E, F, G; T4; Class III,
Division 1 - PN 184530
Class I, Zone 0, AEx ia IIB T4 Ga - PN 184530
Class I, Zone 20, AEx ia IIIC T135°C Da - PN 184530
Ta = -20 °C to +50 °C
Canada Listings
FM16CA0092X
Ex ia Class I, Division 1, Groups C, D; T4 - PN 184530
Ex ia Class II, Division 1, Groups E, F, G, Class III,
Division 1; T4 - PN 184530
Class I, Zone 0, Ex ia IIB T4 Ga - PN 184530
Class I, Zone 20, Ex ia IIIC T135°C Da - PN 184530
TA = -10 °C to +50 °C
ATEX / UKEX Listings
FM18ATEX0052X
FM21UKEX0104X
II 1 G Ex ia IIB T4 Ga
II 1 D Ex ia IIIC T135°C Da
-10 °C Ta +50 °C

Lifting Eye, Shackle & Hook:

Crosby® or equal with 360° thrust-bearing
swivel hook

Design Overload:

200% Safe / 500% Ultimate (except where noted)

Functions:

Power, zero, tare, Mode F1 (programmable)

Display:

Five-digit, 1.2 in (30 mm) LED with
programmable brightness control

Displayable Units:

Pounds or kilograms selectable

Annunciators:

COZ, net, gross, total, peak, low battery, lb/kg,
motion, setpoints

Power:

12 V rechargeable battery
115/230 VAC approved battery charger is included

Temperature:

Certified: 14 °F to 104 °F (-10 °C to 40 °C)

Operating Time:

Up to 200 hours between charging with typical use

Auto-Off Mode:

Select for 15, 30, 45 minutes, 1 hour or Off

Auto Sleep Mode:

Power down during non-use and power up with
weight change or any key press

Service Counters:

Counts number of lifts over percentage of capacity
and lifts over capacity

Filtering:

OFF, LO, HI-1, HI-2 selectable

Warranty:

One-year limited

Approvals:

NTEP 19-122: 500 to 70,000 lb
Measurement Canada AM-6198: 500 to 5,000 lb
cFMus Approved

MSI-4260M Port-A-Weigh

Industrial Crane Scale



Standard Features

- LCD display
- IP66 cast aluminum
- Top lifting eye or shackle, bottom thrust bearing swivel hook
- Battery operated, six (6) D cell 1.5V alkaline batteries or 12 volt rechargeable battery (115/230 VAC battery charger is included)

Options

(Contact MSI for application consultation)

- Rugged Remote (control for on/off, zero, tare and other functions)
- RF modem install for connectivity to MSI-8000, MSI-8000HD RF, MSI-8004HD RF remote display, TranSend™ and LaserLight2 remote display
- Wi-Fi communication is available for specialty applications
- Anti-heat shielding for high temperature applications
- Substitute bottom swivel hook with shackle
- Oversized top lifting eye or shackle
- Oversized bottom hook
- Universal direct power supply; 85 to 265 VAC, 47 to 440 Hz/130 to 300 VDC
- Low headroom top adapter
- Audible alarm
- Custom top and bottom interfaces

Specifications

Accuracy:

± 0.1% +1 d of applied load

Resolution:

Max NTEP Approved Class III: 2,500 d
Max NTEP Approved Class IIII: 5,000 d
Max Non-NTEP Approved: 10,000 d

Enclosure:

IP66 cast aluminum

Lifting Eye, Shackle & Hook:

Crosby® or equal with 360° thrust-bearing swivel hook

Design Overload:

200% Safe / 500% Ultimate (except where noted)

Functions:

Power: Turns unit on or off
Zero: Zeros applied load up to 100% of capacity (limited range in NTEP configuration)
Tare: Tares applied load and displays weight in Net mode
User: Programmable as test, total, unit, peak hold, net/gross, view total and print

Display:

Five-digit, 1.75 in (44.5 mm) LCD with programmable brightness control

Displayable Units:

Pounds or kilograms selectable

Annunciators:

CO₂, battery level, net, total, lb/kg, stability, RF and setpoint LEDs

Power:

Battery operated, six (6) D cell 1.5 V alkaline batteries or 12 V rechargeable battery (115/230 VAC battery charger is included)

Operating Time:

Six (6) D Cell 1.5V alkaline batteries:
Up to 1,000 hours of battery life with typical use, less with RF modem
12 volt rechargeable battery: Up to 250 hours between charging with typical use, less with RF modem

Temperature:

Certified: 14 °F to 104 °F (-10 °C to 40 °C)
Operating: -20 °F to 122 °F (-28 °C to 50 °C)

Auto-Off Mode:

Powers off after the scale is not used for the set time (in minutes); 15, 30, 45, 60 or OFF selectable

Auto Sleep Mode:

Power down during non-use after the set time (in minutes) and powers up with weight change or any key press; 5, 15, 30 or OFF selectable

Service Counters:

Counts number of lifts over percentage of capacity and lifts over capacity

Filtering:

OFF, LO, HI-1 or HI-2 selectable

Radio Link:

802.15.4 at 2.4 GHz

Radio Effective Range:

Typically 100 to 300 ft line of sight

Warranty:

One-year limited

Approvals:

NTEP CC 19-122: 500 to 70,000 lb
Measurement Canada AM-6198: 500 to 5,000 lb

Approvals



Measurement
Canada
Approved

Part Number/Price

Part #	Description	Resolution	Est. Weight	Price
4260M with LCD display, Swivel Hook, No RF, 12V SLA Battery				
201951	500 lb (250 kg) with 12V battery F/A	0.2 lb (0.1 kg)	53 lb	\$5,525.00
201953	2,000 lb (1,000 kg) with 12V battery F/A	1.0 lb (0.5 kg)	53 lb	\$5,550.00
201954	5,000 lb (2,500 kg) with 12V battery F/A	1.0 lb (0.5 kg)	62 lb	\$5,900.00
201955	10,000 lb (5,000 kg) with 12V battery F/A	2.0 lb (1.0 kg)	62 lb	\$6,150.00
201956	20,000 lb (10,000 kg) with 12V battery F/A	5.0 lb (2.0 kg)	105 lb	\$8,025.00
201957	30,000 lb (15,000 kg) with 12V battery F/A	10 lb (5.0 kg)	125 lb	\$8,425.00
201958	50,000 lb (25,000 kg) with 12V battery F/A	10 lb (5.0 kg)	235 lb	\$12,875.00
201959	70,000 lb (35,000 kg) with 12V battery F/A	20 lb (10 kg)	270 lb	\$16,850.00
201960	100,000 lb (50,000 kg) with 12V battery F/A	20 lb (10 kg)	420 lb	\$25,625.00
4260M with LCD display, Swivel Hook, No RF, D-Cell Battery				
201999	500 lb (250 kg) with D-cell battery F/A	0.2 lb (0.1 kg)	53 lb	\$5,550.00
202000	2,000 lb (1,000 kg) with D-cell battery F/A	1.0 lb (0.5 kg)	53 lb	\$5,550.00
202001	5,000 lb (2,500 kg) with D-cell battery F/A	1.0 lb (0.5 kg)	62 lb	\$5,900.00
202002	10,000 lb (5,000 kg) with D-cell battery F/A	2.0 lb (1.0 kg)	62 lb	\$6,150.00
202003	20,000 lb (10,000 kg) with D-cell battery F/A	5.0 lb (2.0 kg)	105 lb	\$8,025.00
202004	30,000 lb (15,000 kg) with D-cell battery F/A	10 lb (5.0 kg)	125 lb	\$8,425.00
202005	50,000 lb (25,000 kg) with D-cell battery F/A	10 lb (5.0 kg)	235 lb	\$12,875.00
202006	70,000 lb (35,000 kg) with D-cell battery F/A	20 lb (10 kg)	270 lb	\$16,850.00
202007	100,000 lb (50,000 kg) with D-cell battery F/A	20 lb (10 kg)	420 lb	\$25,625.00

Capacities over 70,000lb are not NTEP and capacities over 5,000lb are not currently Measurement Canada

OVERHEAD
WEIGHING

MSI-4260M Port-A-Weigh

Industrial Crane Scale

Options/Accessories

Part #	Description	Est. Weight	Price
150971	MSI RF modem option kit (used in MSI-4260, MSI-4260M, MSI-9600HT)	-	\$250.00
139381	MSI-8000 RF remote display (requires MSI-4260M equipped with RF modem)	5 lb	\$1,500.00
173014	RF rugged remote control (requires MSI-4260M equipped with RF modem)	-	\$355.00
153591	MSI-8000HD remote display, AC power and tilt bracket option (requires MSI-4260M equipped with RF modem)	3 lb	\$1,625.00
178281	MSI-8004HD AC, red/green 85~264 VAC, 47~440 Hz, 120~370 VDC	-	\$1,785.00
159221	Universal crane scale transport cart	180 lb	\$1,340.00
178004	LaserLight2, 4 in (100 mm) six-digit RF scoreboard (requires MSI-4260M equipped with RF modem)	21 lb	\$2,675.00
178006	LaserLight2, 6 in (150 mm) six-digit RF scoreboard (requires MSI-4260M equipped with RF modem)	37 lb	\$3,175.00
176956	MSI Wi-Fi modem option kit (used in MSI-4260, MSI-4260M, MSI-6360, MSI-9600HT)	-	\$490.00
Consult	4260M Retrofit Kit	-	Consult
Accessories			
150367	Battery assembly, 12V rechargeable	7 lb	\$145.00
138006	Universal 115/230 VAC, 50/60 Hz battery charger (NA plug standard)	4 lb	\$345.00
138007	Universal 115/230 VAC, 50/60 Hz battery charger (UK plug standard)	4 lb	\$370.00
138008	Universal 115/230 VAC, 50/60 Hz battery charger (EC plug standard)	4 lb	\$370.00
149549	Universal 115/ 230 VAC 50/60 Hz (NA plug standard) battery charger for MSI-8000 remote display	3 lb	\$175.00
4260 Sub Hook with Shackle			
Consult	500 to 10,000 lb, 6.5 ton shackle	-	Consult
Consult	20,000 to 30,000 lb, 17 ton shackle	-	Consult
Consult	50,000 lb, 25 ton shackle	-	Consult
Consult	70,000 lb, 40 ton shackle	-	Consult
Consult	100,000 lb, 55 ton shackle	-	Consult
4260 Oversize Lifting Eye/Shackle			
Consult	500 to 10,000 lb capacity	-	Consult
Consult	20,000 to 30,000 lb capacity, adapter with 25 ton shackle	-	Consult
Consult	50,000 to 70,000 lb capacity	-	Consult
Consult	100,000 lb capacity	-	Consult

OVERHEAD
WEIGHING

MSI-4260M Port-A-Weigh

Marine Crane Scale



Standard Features

- LCD display
- IP66 cast aluminum
- Top lifting eye with lower link interface
- Battery operated, six (6) D cell 1.5 V alkaline batteries

Options

(Contact MSI for application consultation)

- Rugged Remote (control for on/off, zero, tare and other functions)
- RF modem install for connectivity to MSI-8000, MSI-8000HD, MSI-8004HD, TranSend™ and LaserLight2 remote display. Typically 100 to 300 ft, line of sight; for longer range consult factory.
- Wi-Fi communication is available for specialty applications

Specifications

Accuracy:

± (0.1% +1 d) of applied load

Resolution:

Max NTEP Approved Class III: 5,000 Divisions
Max Non NTEP Approved: 10,000 Divisions

Enclosure:

IP66 cast aluminum

Lifting Eye, Link & Hook:

Top lifting eye with lower link interface

Design Overload:

200% Safe / 500% Ultimate

Functions:

Power: Turns unit on or off
Zero: Zeros applied load up to 100% of capacity (limited range in NTEP configuration),
Tare: Tares applied load and displays weight in net mode
User: Programmable as test, total, unit, peak hold, net/gross, view total and print

Display:

Five-digit, 1.75 in (44.5 mm) LCD with programmable brightness control

Displayable Units:

Pounds or kilograms selectable

Annunciators:

COZ, battery level, net, total, lb/kg, stability, RF and setpoint LEDs

Power:

Battery operated, six (6) D cell 1.5 V alkaline batteries

Operating Time:

Up to 1,000 hours of battery life with typical use, less with RF modem option

Temperature:

Certified: 14 °F to 104 °F (-10 °C to 40 °C)
Operating: -20° F to 122° F (-28 °C to 50 °C)

Auto-Off Mode:

Powers off after the scale is not used for the set time (in minutes); 15, 30, 45, 60 or off selectable

Auto Sleep Mode:

Power down during non-use after the set time (in minutes) and powers up with weight change or any key press; 5, 15, 30 or OFF selectable

Service Counters:

Counts number of lifts over percentage of capacity and lifts over capacity

Filtering:

OFF, LO, HI-1 or HI-2 selectable

Radio Link:

802.15.4 at 2.4 GHz

Radio Effective Range:

Typically 100 to 300 ft line of sight

Warranty:

One-year limited

Approvals:

NTEP CC 19-122
Measurement Canada AM-6198

Approvals



Measurement
Canada
Approved

Part Number/Price

Part #	Description	Resolution	Est. Weight	Price
194593	5,000 lb	1.0 lb (0.5 kg)	58 lb	\$5,600.00
196908	5,000 lb w/RF	1.0 lb (0.5 kg)	58 lb	\$5,925.00

Options/Accessories

Part #	Description	Est. Weight	Price
139381	MSI-8000 RF remote display (requires MSI-4260M equipped with RF modem)	5 lb	\$1,500.00
173014	RF rugged remote control (requires MSI-4260M equipped with RF modem)	-	\$355.00
153591	MSI-8000HD remote display, AC power and tilt bracket option (requires MSI-4260M equipped with RF modem)	3 lb	\$1,625.00
178281	MSI-8004HD AC, red/green 85~264 VAC, 47~440 Hz, 120~370 VDC	-	\$1,785.00
159221	Universal crane scale transport cart	180 lb	\$1,340.00
178004	LaserLight2, 4 in (100 mm) six-digit RF scoreboard (requires MSI-4260M equipped with RF modem)	21 lb	\$2,675.00
178006	LaserLight2, 6 in (150 mm) six-digit RF scoreboard (requires MSI-4260M equipped with RF modem)	37 lb	\$3,175.00
176956	MSI Wi-Fi modem option kit (used in MSI-4260, MSI-4260M, MSI-6360, MSI-9600HT)	-	\$490.00

OVERHEAD
WEIGHING

MSI-9600HT Hi-Torque Port-A-Weigh Plus

High Torque Crane Scale



Options

(Contact MSI for application consultation)

- Top shackle
- Rugged Remote (control for on/off, zero, tare and other functions)
- Anti-heat shielding for high-temperature applications
- Substitute bottom hook with shackle
- Oversized top or shackle
- Oversized bottom hooks
- Universal direct power supply
- Wi-Fi communication is available for specialty applications
- RF modem install for connectivity to MSI-8000, MSI-8000HD RF, MSI-8004HD RF remote display, TranSend™ and LaserLight2 remote display
- Typically 100 to 300 ft, line of sight; for longer range consult factory
- Low headroom top adapter
- Audible alarm
- Custom top and bottom interfaces

Specifications

Accuracy:

10,000 to 120,000 lb: ± (0.1% +1 d) of capacity
200,000 lb: ± (0.2% +1 d) of capacity

Resolution:

2,400 to 5,000 d standard
(Up to 10,000 d available)

Enclosure:

NEMA Type 4, IP66, marine grade 356 alloy anodized cast aluminum

Shackle and Hook:

Shackle is optional and Crosby® fixed hook provided as standard

Design Overload:

200% Safe / 500% Ultimate (except where noted)

Functions:

Power: Turns unit on or off
Zero: Zeros applied load up to 100% of capacity
Tare: Tares applied load and displays weight in net
Mode F1: Programmable as test, units, net/gross, total and peak hold

Display:

1.5 in (38 mm, 6-digit, programmable LED display, multi-color (red, orange, and green)

Displayable Units:

Pounds or kilograms selectable

Power:

12 V rechargeable battery, 115/230 VAC battery charger included

Operating Time:

Up to 250 hours w/o radio
Up to 75 hours w/ radio

Temperature:

Operating: 14 °F to 131 °F (-10 °C to 55 °C)

Filtering:

OFF, LO, HI-1 or HI-2 selectable

Radio Link:

802.15.4 at 2.4 GHz

Radio Link Effective Range:

Typically 100 to 300 ft line of sight

Warranty:

One-year limited

Standard Features

- Multi-color LED display
- 12 volt rechargeable battery and universal 115/230 VAC, 50/60 Hz battery charger (NA plug standard)
- Hi-torque load train designed for use with powered rotation

Part Number/Price

Part #	Description	Resolution	Est. Weight	Price
214371	10,000 lb (5000 kg) F/A	2.0 lb (1.0 kg)	62 lb	\$14,400.00
214370	30,000 lb (15,000 kg) F/A	10 lb (5.0 kg)	125 lb	\$14,400.00
214369	70,000 lb (35,000 kg) F/A	20 lb (10 kg)	270 lb	\$20,400.00
214477	100,000 lb (50,000 kg) F/A	20 lb (10 kg)	420 lb	Consult
214474	120,000 lb (60,000 kg) F/A	50 lb (20 kg)	550 lb	Consult
214479*	200,000 lb (100,000 kg) F/A	100 lb (50 kg)	1,100 lb	Consult

* 400% Ultimate overload

Options/Accessories

Part #	Description	Est. Weight	Price
144126	Top lifting shackle 9.5 ton for 10,000 lb cap unit	-	Consult
141992	Top lifting shackle Crosby® G2130 17 ton for 30,000 lb cap unit	-	Consult
146335	Top lifting shackle Crosby® G2140 40 ton for 70,000 lb cap unit	-	Consult
146336	Top lifting shackle Crosby® G2140 55 ton for 120,000 lb cap unit	-	Consult
150971	MSI RF modem option kit (used in MSI-4260, MSI-4260M, MSI-9600HT)	3 lb	\$250.00
173014	RF rugged remote control (requires MSI-9600HT equipped with RF modem)	-	\$355.00
153591	MSI-8000HD RF remote display AC powered (no A/D)	180 lb	\$1,625.00
178004	LaserLight2, 4 in (100 mm) six-digit RF scoreboard	21 lb	\$2,675.00
178006	LaserLight2, 6 in (150 mm) six-digit RF scoreboard	37 lb	\$3,175.00
159221	Universal crane scale transport cart	-	\$1,340.00
Consult	AC direct power supply	-	\$560.00
Consult	Anti-heat shield	-	\$1,125.00
Consult	Audible alarm	-	\$420.00
176956	MSI Wi-Fi modem option kit (used in MSI-4260, MSI-4260M, MSI-6360, MSI-9600HT)	-	\$490.00
Consult	9600 Retrofit kit	-	Consult
Accessories			
150367	Battery assembly, 12V rechargeable	7 lb	\$145.00
138006	Universal 115/230 VAC, 50/60 Hz battery charger (NA plug standard)	4 lb	\$345.00
138007	Universal 115/230 VAC, 50/60 Hz battery charger (UK plug standard)	4 lb	\$370.00
138008	Universal 115/230 VAC, 50/60 Hz battery charger (EC plug standard)	4 lb	\$370.00

OVERHEAD WEIGHING

MSI-6360 Trans-Weigh

Crane Scale



Approvals



Standard Features

- Top lifting eye or shackle, bottom thrust bearing swivel hook
- 12 volt rechargeable battery and universal 115/230 VAC, 50/60 Hz battery charger (NA plug standard)
- RF modem install for connectivity to MSI-8000, MSI-8000HD RF, MSI-8004HD RF remote display, TranSend™ and LaserLight2 remote display. Typically 100 to 300 ft, line of sight; for longer range consult factory.
- Meets or exceeds OSHA, ANSI, ASME and other safety design standards (5:1 Ultimate Safety Factor)

Part Number/Price

Part #	Description	Resolution	Est. Weight	Price
215829	500 lb (250 kg) F/A	0.2 lb (0.1 kg)	53 lb	\$6,000.00
215830	2,000 lb (1000 kg) F/A	1.0 lb (0.5 kg)	53 lb	\$6,000.00
215831	5,000 lb (2500 kg) F/A	1.0 lb (0.5 kg)	62 lb	\$6,100.00
215832	10,000 lb (5000 kg) F/A	2.0 lb (1.0 kg)	62 lb	\$6,675.00
215833	20,000 lb (10,000 kg) F/A	5.0 lb (2.0 kg)	105 lb	\$7,725.00
215834	30,000 lb (15,000 kg) F/A	10 lb (5.0 kg)	125 lb	\$7,825.00
215835	50,000 lb (25,000 kg) F/A	10 lb (5.0 kg)	235 lb	\$15,600.00
215836	70,000 lb (35,000 kg) F/A	20 lb (10 kg)	270 lb	\$21,900.00
215837	100,000 lb (50,000 kg) F/A	20 lb (10 kg)	420 lb	\$33,100.00

Options

(Contact MSI for application consultation)

- Anti-heat shielding for high-temperature applications
- Rugged Remote (control for on/off, zero, tare, and other functions)
- Substitute bottom swivel hook with shackle
- Oversized top lifting eye or shackle
- Oversized bottom hook
- Low headroom top adapter
- Universal direct power supply; 85 to 265 VAC, 47 to 440 Hz/130 to 300 VDC
- Wi-Fi communication is available for specialty applications
- Custom top and bottom interfaces
- Crane scale cart

Specifications

Accuracy:

± (0.1% +1 d) of capacity

Resolution:

3,000 to 5,000 d standard
(Up to 10,000 d available)

Enclosure:

NEMA Type 4, IP66, marine grade 356 alloy anodized cast aluminum

Lifting Eye, Shackle and Hook:

Crosby® or equivalent with 360° thrust-bearing swivel hook

Design Overload:

200% Safe / 500% Ultimate

Functions:

On/Off

Displayable Units:

Pounds or kilograms selectable

Power:

12 V rechargeable battery, 115/230 VAC battery charger included

Operating Time:

Up to 75 hours between charging with typical use

Temperature:

Certified: 14 °F to 104 °F (-10 °C to 40 °C)
Operating: -40 °F to 176 °F (-40 °C to 80 °C)

Calibration:

Digital via MSI ScaleCore remote device

Radio Link:

802.15.4 at 2.4 GHz

Radio Link Effective Range:

Typically 100 to 300 ft line of sight

Warranty:

One-year limited

Approvals:

NTEP 19-122: 500 to 70,000 lb

OVERHEAD
WEIGHING

MSI-6360 Trans-Weigh

Crane Scale

Options/Accessories

Part #	Description	Est. Weight	Price
144773	MSI RF Module, XBEE-PRO 802.15.4		\$145.00
139381	MSI-8000 Remote Display	5 lb	\$1,500.00
173014	RF Rugged remote control	1 lb	\$355.00
153591	MSI-8000HD RF remote display AC powered (no A/D)	4 lb	\$1,625.00
178281	MSI-8004HD AC, red/green 85~264 VAC, 47~440 Hz, 120~370 VDC	-	\$1,785.00
178004	4 in LaserLight2 MSI RF	21 lb	\$2,675.00
178006	6 in LaserLight2 MSI RF	37 lb	\$3,175.00
159221	Universal crane scale transport cart	180 lb	\$1,340.00
175308	MSI WiFi Modem 802.11 b/g		\$145.00
Consult	AC power supply	-	\$560.00
Consult	Anti-heat shield	-	\$1,125.00
Consult	Audible alarm	-	\$420.00
Consult	6360 retrofit kit	5 lb	Consult
6360 Sub Hook with Shackle			
Consult	500 to 10,000 lb, 6.5 ton shackle	-	Consult
Consult	20,000 to 30,000 lb, 17 ton shackle	-	Consult
Consult	50,000 lb, 25 ton shackle	-	Consult
Consult	70,000 lb, 40 ton shackle	-	Consult
Consult	100,000 lb, 55 ton shackle	-	Consult
6360 Oversize Lifting Eye/Shackle			
Consult	500 to 10,000 lb capacity	-	Consult
Consult	20,000 to 30,000 lb capacity, adapter with 25 ton shackle	-	Consult
Consult	50,000 to 70,000 lb capacity	-	Consult
Consult	100,000 lb capacity	-	Consult
Accessories			
150367	Battery assembly, 12 volt rechargeable	6.6 lb	\$145.00
138006	Universal 115/230 VAC, 50/60 Hz battery charger (NA plug standard)	4 lb	\$345.00
138007	Universal 115/230 VAC, 50/60 Hz battery charger (UK plug standard)	4 lb	\$370.00
138008	Universal 115/230 VAC, 50/60 Hz battery charger (EC plug standard)	4 lb	\$370.00

OVERHEAD
WEIGHING

RL101 Scale

Compact Digital Below-the-Hook Scale



Remote Control

Standard Features

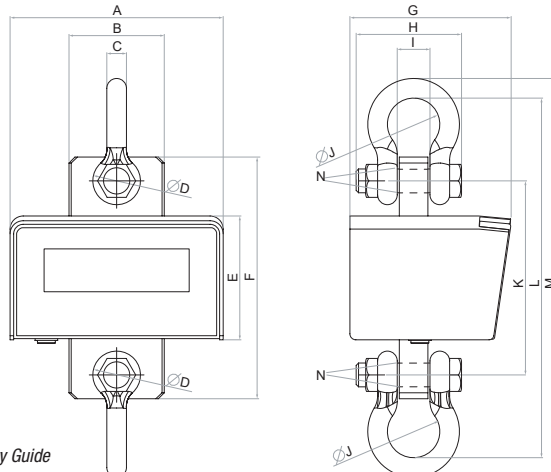
- Low headroom (14.5 to 16.65 in)
- Infrared remote control (up to 25 ft)
- Carrying case
- Single and multi-point calibration
- Upper and lower shackles
- Lift and weigh scale (or device)

Part Number/Price

Part #	Description	Resolution	Est. Weight	Price
219144	3 K Capacity (0 to 600 lbs / 601 to 1,500 lbs / 1,501 to 3,000 lbs)	0.2 / 0.5 / 1 lb	25 lb	\$1,750.00
219145	6 K Capacity (0 to 1,500 lbs / 1,501 to 3,000 lbs / 3,002 to 6,000 lbs)	0.5 / 1 / 2 lb	32 lb	\$1,950.00
219147	12 K Capacity (0 to 3,000 lbs / 3,002 to 6,000 lbs / 6,005 to 12,000 lbs)	1 / 2 / 5 lb	32 lb	\$2,100.00

Dimensions

RL101 3 K / 6 K & 12 K			
A	7.09 in (180 mm)	H	3.48 in (88.5 mm) / 4.76 in (121 mm)
B	3.15 in (80 mm)	I	3.48 in (88.5 mm) / 4.76 in (121 mm)
C	0.63 in (16 mm) / 0.87 in (22 mm)	J	1.69 in (43 mm) / 2.28 in (58 mm)
D	1.58 in (40) / 2.17 in (55 mm)	K	7.72 in (196 mm) / 7.32 in (186 mm)
E	4.09 in (104 mm)	L	13.19 in (335 mm) / 14.92 in (379 mm)
F	9.69 in (246 mm)	M	14.49 in (368 mm) / 16.65 in (423 mm)
G	5.35 in (136 mm)	N	0.83 in (21 mm) / 1.1 in (28 mm)



*Please review the
Overhead Weighing Safety Guide

Specifications

Power:

Batteries: four AA (included)

Battery Life:

Up to 40 hours, standard configuration

Resolution:

3,000 d standard

Annunciators:

COZ, net, gross, low batt, lb/kg/t, motion, active weight range and tare

Keys/Buttons:

Five key: zero, tare, mode, print and on/off

Display:

1 in (25 mm) backlight, LCD

Displayable Units:

Pounds and kilograms, selectable

Accuracy:

± 0.03% of capacity

Design Overload:

150% Safe / 500% Ultimate

Auto-Off Mode:

Off, 1-minute intervals (programmable)

Shackles:

Forged, alloy steel (6:1 safety factor)

Temperature:

Operating: 14 °F to 104 °F (-10 °C to 40 °C)

Rating/Material:

IP54

Oven-fired painted steel

Filtering:

Various: overhead weighing-dYn.0, dYn.1, dYn.2, dYn.3

Warranty:

One-year limited

OVERHEAD
WEIGHING

Crane Scale Cart

Universal Transport and Storage Cart



Standard Features

- Designed to hold MSI-4260, MSI-4260IS, MSI-4260M, MSI-4300, MSI-9600HT, MSI-6360
- Four swivel casters with brake
- Powder coated mild steel

Specifications

Warranty:

One-year limited

Part Number/Price

Part #	Description	Est. Weight	Price
159221	Universal MSI Crane Scale Cart	180 lb	\$1,340.00
Consult	Modified versions of universal MSI Crane Scale Cart	-	Consult

MSI-7300 Dyna-Link 2

Digital Tension Dynamometer



Shown with optional shackles

Part Number/Price

Part #	Description	Resolution	Est. Weight	Price
139162	1,000 lb (500 kg) F/A	0.5 lb (0.2 kg)	8 lb	\$1,700.00
139163	2,500 lb (1,250 kg) F/A	1 lb (0.5 kg)	9 lb	\$1,700.00
139164	5,000 lb (2,500 kg) F/A	2 lb (1.0 kg)	9 lb	\$1,700.00
139165	10,000 lb (5,000 kg) F/A	5 lb (2.0 kg)	11 lb	\$1,825.00
139166	25,000 lb (12,500 kg) F/A	10 lb (5 kg)	19 lb	\$2,450.00
139167	50,000 lb (25,000 kg) F/A	20 lb (10 kg)	29 lb	\$3,150.00
139168*	100,000 lb (50,000 kg) F/A	50 lb (20 kg)	65 lb	\$4,125.00
Optional Configurations (for connectivity to MSI-8000 RF Remote Display) F/A				
139441	1,000 lb (500 kg) RF module	0.5 lb (0.2 kg)	8 lb	\$1,925.00
139442	2,500 lb (1,250 kg) RF module	1 lb (0.5 kg)	9 lb	\$1,925.00
139443	5,000 lb (2,500 kg) RF module	2 lb (1 kg)	9 lb	\$1,925.00
139444	10,000 lb (5,000 kg) RF module	5 lb (2 kg)	11 lb	\$2,050.00
139445	25,000 lb (12,500 kg) RF module	10 lb (5 kg)	19 lb	\$2,625.00
139446	50,000 lb (25,000 kg) RF module	20 lb (10 kg)	29 lb	\$3,350.00
139447*	100,000 lb (50,000 kg) RF module	50 lb (20 kg)	65 lb	\$4,325.00
159168*	120,000 lb (60,000 kg) RF module includes MSI-8000	50 lb (20 kg)	57 lb	Consult
159169*	180,000 lb (90,000 kg) RF module includes MSI-8000	100 lb (50 kg)	74 lb	Consult
159170*	260,000 lb (130,000 kg) RF module includes MSI-8000	100 lb (50 kg)	100 lb	Consult
159171*	380,000 lb (190,000 kg) RF module includes MSI-8000	200 lb (100 kg)	169 lb	Consult
159172**	550,000 lb (275,000 kg) RF module includes MSI-8000	200 lb (100 kg)	336 lb	Consult
MSI-7300 Dyna-Link 2 Wi-Fi				
176813	1,000 lb (500 kg) F/A with Wi-Fi	0.5 lb (0.2 kg)	8 lb	\$1,850.00
176814	2,500 lb (1,250 kg) F/A with Wi-Fi	1 lb (0.5 kg)	9 lb	\$1,950.00
176815	5,000 lb (2,500 kg) F/A with Wi-Fi	2 lb (1.0 kg)	9 lb	\$1,950.00
176816	10,000 lb (5,000 kg) F/A with Wi-Fi	5 lb (2.0 kg)	11 lb	\$2,075.00
176817	25,000 lb (12,500 kg) F/A with Wi-Fi	10 lb (5 kg)	19 lb	\$2,700.00
176818	50,000 lb (25,000 kg) F/A with Wi-Fi	20 lb (10 kg)	29 lb	\$3,525.00
176819	100,000 lb (50,000 kg) F/A with Wi-Fi	50 lb (20 kg)	65 lb	\$4,425.00
176827	120,000 lb (60,000 kg) F/A with Wi-Fi	50 lb (20 kg)	57 lb	Consult
176828	180,000 lb (90,000 kg) F/A with Wi-Fi	100 lb (50 kg)	74 lb	Consult
176829	260,000 lb (130,000 kg) F/A with Wi-Fi	100 lb (50 kg)	100 lb	Consult
176830	380,000 lb (190,000 kg) F/A with Wi-Fi	200 lb (100 kg)	169 lb	Consult
176831	550,000 lb (275,000 kg) F/A with Wi-Fi	200 lb (100 kg)	336 lb	Consult

* 500% Ultimate overload

** 440% Ultimate overload

Standard Features

- LCD display
- Two C-cell alkaline batteries for capacities up to 10,000 lb (5,000 kg)
- Two D-cell alkaline batteries for capacities 25,000 lb (12,500 kg) and above

Options

(Contact MSI for application consultation)

- Crosby® top and bottom shackles
- Portable transport case
- Serial output cable
- Rugged Remote (control for On/Off, Zero, Tare and other functions)
- RF modem install for connectivity to MSI-8000, MSI-8000HD RF, MSI-8004HD RF remote display and TranSend™. Typically 100 to 300 ft, line of sight, for longer range consult factory.
- Audible alarm

Specifications

Accuracy:

- 0.1% FS of rated capacity (up to 100,000 lb)
- 0.5% FS of rated capacity (120,000 lb and above)

Enclosure:

- NEMA Type 4, IP65, anodized corrosion-resistant finish

Material:

- 2024 aircraft grade aluminum
- 100,000 lb and above: Zinc plated, 4340 mild steel

Design Overload:

- 200% Safe / 700% Ultimate* (except where noted)

Functions:

- On/Off, zero, hi-speed peak hold, setpoints, total, tare, auto-off, motion filter

Display:

- 5-digit, 1.22 in (31 mm) tall, LCD - 50,000 lb and lower
- 6-digit, 1.00 in (25 mm) tall, LCD - 100,000 lb and higher

Displayable Units:

- Pounds, kilograms, kilonewtons, tons, metric tons

LED Annunciators:

- Function 1, function 2, setpoint 1, setpoint 2

LCD Annunciators:

- Net, center of zero, stable, battery test, peak hold, total

Power:

- Two each C-cell alkaline batteries for capacities up to 10,000 lb; two each D-cell alkaline batteries for capacities 25,000 to 100,000 lb

Operating Time:

- From 150 to 300 hours in typical use depending on unit capacity and battery configuration.
- Approximately 25 to 30 hours with optional RF modem link installed.

Temperature:

- Operating: -4 °F to 140 °F (-20 °C to 60 °C)

Filtering:

- OFF, LO, HI selectable

Data Output:

- Serial RS-232

Warranty:

- Two-year limited

OVERHEAD
WEIGHING

MSI-7300 Dyna-Link 2

Digital Tension Dynamometer

Options/Accessories

Part #	Description	Est. Weight	Price
151357*	Shackle anchor, bolt type 3.25 ton for 500 lb-5,000 lb unit	1.5 lb	Consult
151355*	Shackle anchor, bolt type 6.5 ton for 10,000 lb unit	3 lb	Consult
141992*	Shackle anchor, bolt type 17 ton for 25,000 lb unit	19.5 lb	Consult
151356*	Shackle anchor, bolt type 25 ton for 50,000 lb unit	31.5 lb	Consult
146336*	Shackle anchor, bolt type 55 ton for 100,000 lb unit	51.5 lb	Consult
151359*	Shackle anchor, bolt type 85 ton for 180,000 lb unit	103 lb	Consult
151360*	Shackle anchor, bolt type 120 ton for 260,000 lb unit	112.5 lb	Consult
151361*	Shackle anchor, bolt type 175 ton for 380,000 lb unit	332.5 lb	Consult
151358*	Shackle anchor, bolt type 250 ton for 550,000 lb unit	650lb	Consult
139381	MSI-8000 RF remote display (requires MSI-7300 equipped with optional RF modem)	5 lb	\$1,500.00
153591	MSI-8000HD RF remote display, A/C powered with tilt stand (requires MSI-7300 equipped with optional RF modem)	5 lb	\$1,625.00
165313	Heavy duty Pelican transport case with precision cut. Heavy duty foam for units up to 10,000 lb capacity	10 lb	\$405.00
145076	Transport crate for 25,000 lb and 50,000 lb capacity unit	35 lb	\$480.00
145073	Transport crate for 100,000 lb capacity unit	42 lb	Consult
139470	RS-232 serial cable for MSI-7300	1 lb	\$180.00
178004	LaserLight2, 4 in (100 mm) six-digit RF scoreboard (requires MSI-7300 equipped with optional RF modem)	21 lb	\$2,675.00
178006	LaserLight2, 6 in (150 mm) six-digit RF scoreboard (requires MSI-7300 equipped with optional RF modem)	37 lb	\$3,175.00
149549	Universal 115/ 230 VAC 50/60 Hz (NA plug standard) battery charger for MSI-8000 remote display	3 lb	\$175.00
173014	Rugged remote control (requires MSI-7300 equipped with optional RF modem)	1 lb	\$355.00
150964	RS-232 13 ft (4 m) serial cable for MSI-8000	1 lb	\$210.00
139438	Audible setpoint (not available with MSI-7300RF or MSI-7300WiFi)	-	\$460.00
149550	Battery charger for MSI-8000 EC plug	-	\$170.00

* 2 shackles will be needed per 7300

MSI Dyna-Clamp

Tension Meter



Approvals



Part Number/Price

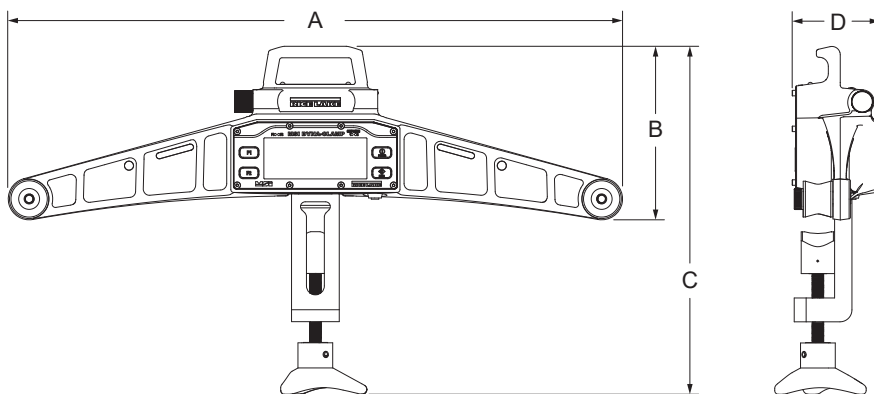
Part #	Description	Tension	Est. Weight	Price
189581	MSI Dyna-Clamp tension meter	12,500 lbf (5,670 kgf / 55.60 kN)	15 lb	\$5,125.00

Options/Accessories

Part #	Description	Price
198418	Heavy-duty carrying case	\$680.00

Dimensions

MSI Dyna-Clamp			
A	25.70 in (652.80 mm)	C	13.75 in-15.50 in (349.25 mm-393.70 mm)
B	7.30 in (185.50 mm)	D	3.70 in (94 mm)



Standard Features

- Dual line LCD display
- Two user-programmable function keys
- IP65 anodized aluminum frame
- RS-232 port
- Up to eight factory calibrations included at no additional cost

Options

(Contact MSI for application consultation)

- Heavy-duty carrying case

Specifications

Power:

Battery operated two AA cells 1.5 V alkaline batteries (can be replaced with rechargeable NiMH cells)

Max Tension:

12,500 lbf (5,670 kgf /55.60 kN)

Operating Time:

Alkaline AA-cells: 24 hours

Wire Rope:

Diameter 3/16 in (5 mm) to 1 in (25 mm)

Accuracy:

±3% of capacity

Units:

lbf, kgf, kN

Resolution:

Standard: 2,500 divisions

Display:

Primary display (bottom) six, 0.7 in (18 mm) numeric digits
Secondary display (top) eight, 0.5 in (13 mm) numeric digits

Function Keys:

Two programmable keys (user-defined) – F1, F2 (test, unit, print, scroll, actfun)
Two permanent keys – power, zero

Setpoints:

Two dedicated setpoints for minimum and maximum allowable wire rope tension (LEDs for measurements outside of allowable range)

Auto-Off Mode:

Prolongs battery life by turning power OFF after 15, 30, 45 or 60 minutes of no activity (user determined)

Enclosure:

IP65 powder-coated aluminum frame

Calibration:

Up to eight factory programmed wire rope calibrations

Temperature:

Operating:
-4 °F to 122 °F (-20 °C to 50 °C)

Operator Use:

Outdoor

Storage:

Indoor

Warranty:

Two-year limited

Approvals:

CE Marked
UKCA

OVERHEAD
WEIGHING

MSI Clamp-On

Load Cell



Part Number/Price

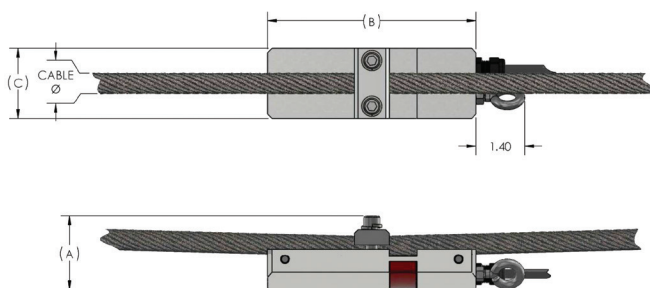
Part #	Description	Price
179080	Load cell assembly Clamp-On for 3/8 to 1/2 in wire rope	\$790.00
179082	Load cell assembly Clamp-On for 9/16 to 3/4 in wire rope	\$940.00
188816	Kit with SCT-2200 for 3/8 to 1/2 in wire rope	\$1,400.00
188817	Kit with SCT-2200 for 9/16 to 3/4 in wire rope	\$1,550.00

Larger diameter clamp ons available - call for pricing

Dimensions

Cable Range	P/N	A	B	C
3/8 - 1/2	179080	Cable + 1.70	6.00	2.00
9/16-3/4	179082	Cable + 1.67	6.00	2.00

*8mm cable can be used with PN 179080



Standard Features

- A durable solution for measuring wire rope tension and preventing overloads for cranes and hoists. Available in two envelopes for accommodating the most common wire ropes. Weight-based setpoints can provide the operator alerts and safety shut-offs based on unsafe load conditions.

Options

(Contact MSI for application consultation)

- Custom sizes available on request
- Pair with an SCT transmitter for basic safety functions

Specifications

System Accuracy of Calibrated Capacity:

3 to 5%

Output Resistance:

350 ohm

Material/Finish:

4340 steel, zinc plated

IP Rating:

IP68

Cable Length:

20 ft integral cable with blunt end termination

Cable Color Code:

Red +Excitation
Black -Excitation
Green +Signal
White -Signal



Optional SCT-2200 transmitter

OVERHEAD
WEIGHING



Standard Features

- Designed and manufactured to each integrated solution. Machined from 17-4 stainless steel for safety, strength and corrosion resistance.

(Contact MSI for application consultation)

For most overhead weighing applications, traditional scales are an ideal solution. However, applications with limited to no headroom require specialty equipment beyond even reduced-height or low-profile crane scales.

One such solution is an MSI load pin sensor. A load pin sensor is a type of load cell that directly replaces clevis, pivot, normal shaft or equalizer pins. Load pin sensors are designed to be permanently installed, so they can continuously monitor vertical or horizontal tension. An integrated load pin provides load monitoring and overload protection without impacting headroom to promote safety and to prevent costly equipment damage.

Rice Lake's industry leading engineers design and manufacture custom load pin sensors for any application. Every load pin is constructed from stainless steel for safety, strength (minimum 5:1) and corrosion resistance.

To receive a quote for a load pin sensor, complete the load pin questionnaire on page 822 or online at www.ricelake.com/questionnaires. For further assistance, contact an MSI overhead weighing specialist.

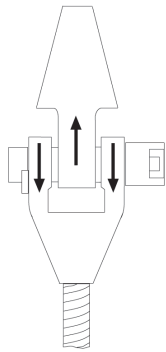
MSI Load Pin Questionnaire

Name: _____

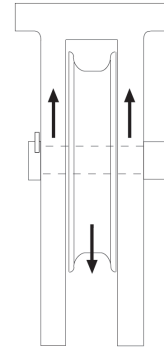
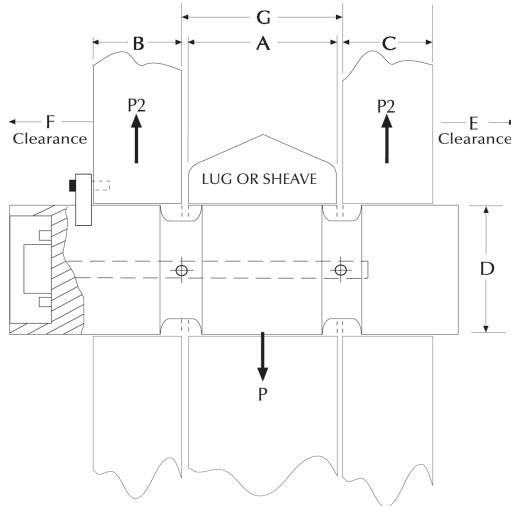
Company: _____

Phone: _____

LOAD PIN CRITICAL DIMENSIONS



Standard Load Sensing Clevis Pin for Wire Rope Sockets Dead-Ends



Sheave/Pulley Load Pins Equalizer/Idler

A=Width	B=Width	C=Width	D=Diameter	E=Clearance	F=Clearance	G=Width
inch	inch	inch	inch	inch	inch	inch

NOTE: Minimum clearance between A and G is 0.0625 inch

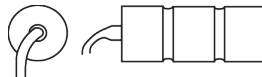
LOAD PIN DATA

Lube port: Yes No _____ # of exits
 Hoist capacity: _____ tons
 Parts of wire rope: _____
 Sensor capacity: _____ tons
 Safety factor: 3:1 5:1 7:1 10:1
 Application: _____

Accuracy requirement: _____
 Temperature requirement: _____
 Output requirement: _____
 Material testing requirements: _____
 Load vector orientation/alignment:
 ← → ↑ ↓

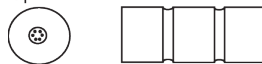
CABLE CONNECTIONS

End-mounted cable:



Sensor's cable length: _____ feet

End-mounted connector:
(standard)



Comments: _____

Side-mounted cable:



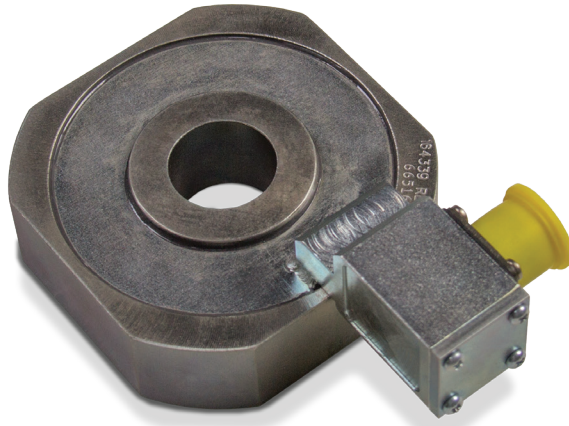
Side-mounted connector:



Recessed connector:



Form #0201 New 10/2024



Standard Features

- Designed to be placed above the trunnion of a load block, this integrated low-profile load cell eliminates headroom loss
- Off-axis compensation

(Contact MSI for application consultation)

Specifications

Accuracy (Static Load):

0.5 to 1% system accuracy of rated capacity

Material:

4340 alloy steel, zinc plated

IP Rating:

IP67

Resistance:

700 ohm

Part Number/Price

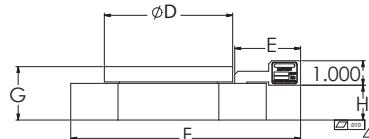
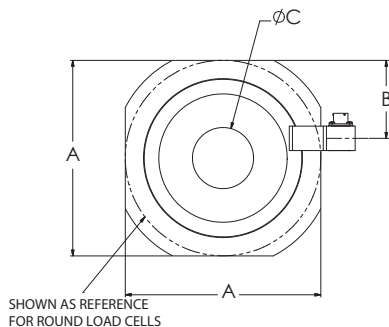
Part #	Description	Est. Weight	Price
160651	10,000 lb/5,000 kg capacity	5 lb	Consult
163595	20,000 lb/10,000 kg capacity	10 lb	Consult
163596	40,000 lb/20,000 kg capacity	20 lb	Consult
163829	60,000 lb/30,000 kg capacity	30 lb	Consult
163597	80,000 lb/40,000 kg capacity	34 lb	Consult
163598	100,000 lb/50,000 kg capacity	38 lb	Consult
159550	120,000 lb/60,000 kg capacity	60 lb	Consult
163599	160,000 lb/80,000 kg capacity	105 lb	Consult
163600	200,000 lb/100,000 kg capacity	215 lb	Consult

Options/Accessories

Part #	Description	Price
165978	Load cell to MSI-7001 interface cable, 6.5 ft	\$345.00
165979	Load cell to MSI-7001 interface cable, 10 ft	\$365.00
165980	Load cell to MSI-7001 interface cable, 16 ft	\$400.00
165989	Load cell to MSI-7001 interface cable, 20 ft	\$430.00
165990	Load cell to MSI-7001 interface cable, 25 ft	\$460.00
165991	Load cell to MSI-7001 interface cable, 32 ft	\$535.00

Dimensions

Part #	Capacity	A	B	C (+0.005-0.000)	D	E	F	G	H	Required Hook Shank Diameter (+0.000,-0.005)
160651	10,000 lb	3.500 in	1.350 in	1.005 in	2.450 in	1.880 in	4.905 in	1.500 in	1.000 in	1.000 in
163595	20,000 lb	6.000 in	2.500 in	1.505 in	3.500 in	2.443 in	7.405 in	1.750 in	1.250 in	1.500 in
163596	40,000 lb	7.500 in	3.150 in	2.005 in	5.000 in	2.580 in	8.905 in	2.000 in	1.375 in	2.000 in
163829	60,000 lb	8.000 in	3.190 in	2.505 in	5.250 in	2.695 in	9.405 in	2.188 in	1.500 in	2.500 in
163597	80,000 lb	8.500 in	3.650 in	3.505 in	5.750 in	2.680 in	9.905 in	2.313 in	1.500 in	3.500 in
163598	100,000 lb	9.125 in	3.873 in	4.005 in	7.000 in	2.382 in	10.530 in	2.668 in	1.875 in	4.000 in
159550	120,000 lb	9.125 in	3.873 in	4.005 in	7.000 in	2.382 in	10.530 in	2.813 in	2.000 in	4.000 in
163599	160,000 lb	16.000 in	7.030 in	6.005 in	14.500 in	2.955 in	17.405 in	4.625 in	2.500 in	6.000 in
163600	200,000 lb	16.000 in	7.030 in	6.005 in	14.500 in	2.955 in	17.405 in	5.125 in	3.000 in	6.000 in



OVERHEAD WEIGHING

MSI Tension Link

Load Cell



Standard Features

- Integrates between a crane block and lifting equipment to provide force measurement for lifted items. This ideal integration for cranes features a 7:1 safety factor for compliance with industrial and military safety requirements.

Options

(Contact MSI for application consultation)

- Crosby® top and bottom shackles

Specifications

Full Scale Output:
0.8 mV/V

Output Resistance:
2,000 ohm

Input Resistance:
1,500 ohm

Material/Finish:
4340 steel

Connector Pin Out:

- A: EX +
- B: Sig +
- C: Sig -
- D: EX -

Accuracy:

0.1% sensor accuracy

Part Number/Price

Part #	Description	Price
181907	2 K 7200 style load cell only	Consult
181908	5 K 7200 style load cell only	Consult
181909	10 K 7200 style load cell only	Consult
178093	25 K 7200 style load cell only	Consult
178094	50 K 7200 style load cell only	Consult
181910	100 K 7200 style load cell only	Consult

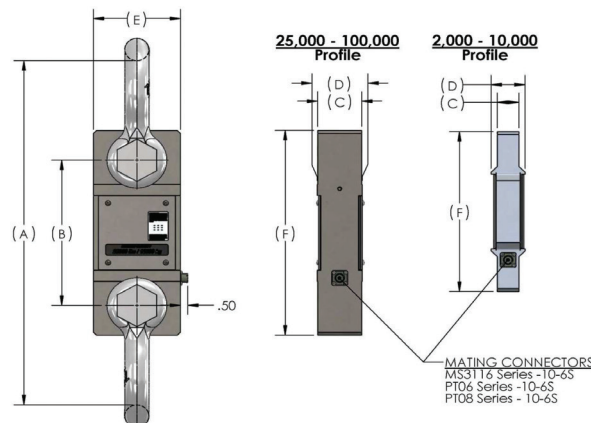
Contact factory for higher capacities

Options/Accessories

Part #	Description	Price
165978	Load cell to MSI-7001 interface cable, 6.5 ft	\$345.00
165979	Load cell to MSI-7001 interface cable, 10 ft	\$365.00
165990	Load cell to MSI-7001 interface cable, 25 ft	\$460.00
134505	Load cell mating cable to bare wires, 10 ft	\$195.00

Dimensions

Capacity (lbs)	P/N	Load Cell Material	(A) Headroom Loss	(B) C-C Length	(C) Lug Thk	(D) Body Thk	(E) Body Width	(F) Body Length	Lug Hole	Crosby Shackle
2,000	181907	Aluminum	13.50 in	8.00 in	0.99 in	2.13 in	4.50 in	9.75 in	0.78 in	3-1/4 T 151357
5,000	181908	Aluminum	13.50 in	8.00 in	0.99 in	2.13 in	4.50 in	9.75 in	0.78 in	3-1/7 T 151357
10,000	181909	Aluminum	16.13 in	8.50 in	1.35 in	2.13 in	5.37 in	10.75 in	1.05 in	6-1/2 T 151355
25,000	178093	Steel	22.39 in	9.26 in	2.24 in	2.24 in	4.80 in	12.76 in	1.67 in	17 T 141992
50,000	178094	Steel	25.74 in	9.76 in	2.74 in	2.81 in	5.43 in	13.76 in	2.05 in	25 T 151356
100,000	181910	Steel	28.49 in	10.74 in	3.09 in	3.09 in	6.86 in	15.74 in	2.30 in	55 T 146336

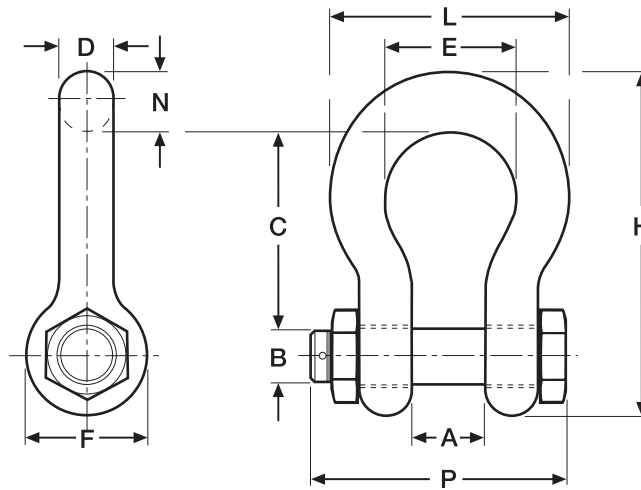


OVERHEAD WEIGHING

Shackle Dimensions

Part Number/Price

Part #	W.L.L. Tons	Size	A	B	C	D	E	F	H	L	N	P	Weight	Price
151357	3 1/4	0.63 in	1.06 in	.75 in	2.38 in	0.63 in	1.69 in	1.56 in	4.22 in	2.94 in	0.69 in	N/A	1.58 lb	Consult
151355	6 1/2	0.88 in	1.44 in	1.00 in	3.31 in	0.88 in	2.28 in	2.13 in	5.75 in	4.03 in	0.97 in	5.00 in	3.95 lb	Consult
141992	17	1.50 in	2.38 in	1.63 in	5.75 in	1.50 in	3.88 in	3.63 in	9.88 in	6.88 in	1.62 in	8.25 in	19.50 lb	Consult
151356	25	1.75 in	2.88 in	2.00 in	7.00 in	1.75 in	5.00 in	4.32 in	11.88 in	8.50 in	2.12 in	9.59 in	31.30 lb	Consult
146334	30	1.50 in	2.38 in	1.63 in	5.75 in	1.50 in	3.88 in	3.63 in	9.88 in	6.88 in	1.62 in	8.25 in	20.80 lb	Consult
146335	40	1.75 in	2.88 in	2.00 in	7.00 in	1.75 in	5.00 in	4.32 in	11.88 in	8.50 in	2.12 in	9.59 in	33.91 lb	Consult
146336	55	2.00 in	3.25 in	2.25 in	7.75 in	2.00 in	5.75 in	5.00 in	13.38 in	9.75 in	2.00 in	11.00 in	51.75 lb	Consult
151359	85	2.5 in	4.12 in	2.75 in	10.50 in	2.72 in	7.25 in	5.69 in	17.84 in	12.87 in	3.12 in	13.58 in	96.00 lb	Consult
151360	120	3.00 in	5.00 in	3.25 in	13.00 in	3.00 in	7.88 in	6.50 in	21.50 in	14.50 in	3.63 in	16.50 in	178.00 lb	Consult
83455	120	3 in	5.00 in	3.25 in	13.00 in	3.11 in	7.88 in	6.50 in	21.50 in	14.36 in	3.63 in	15.13 in	178.00 lb	Consult
151361	175	4.00 in	5.50 in	4.25 in	14.50 in	4.00 in	10.00 in	9.00 in	25.69 in	18.38 in	4.56 in	19.75 in	338.00 lb	Consult
151358	250	4 in	8.50 in	5.00 in	20.00 in	4.50 in	13.00 in	12.00 in	35.00 in	24.50 in	6.50 in	22.68 in	600.00 lb	Consult
Oversized Shackles														
148497	40	1.75 in	2.88 in	2.00 in	10.00 in	2.25 in	6.00 in	4.32 in	15.35 in	10.50 in	2.25 in	9.00 in	45.00 lb	Consult
148393	40	2.25 in	2.88 in	2.00 in	12.50 in	2.25 in	8.00 in	4.32 in	17.85 in	12.50 in	2.25 in	10.00 in	90.00 lb	Consult
148394	50	2.00 in	3.25 in	2.25 in	12.25 in	2.50 in	8.00 in	5.00 in	18.50 in	13.00 in	2.50 in	11.00 in	72.00 lb	Consult
Shims														
146534	(For use with 50,000 to 70,000 ton systems)													Consult



OVERHEAD
WEIGHING

MSI-8000

RF Remote Display



Part Number/Price

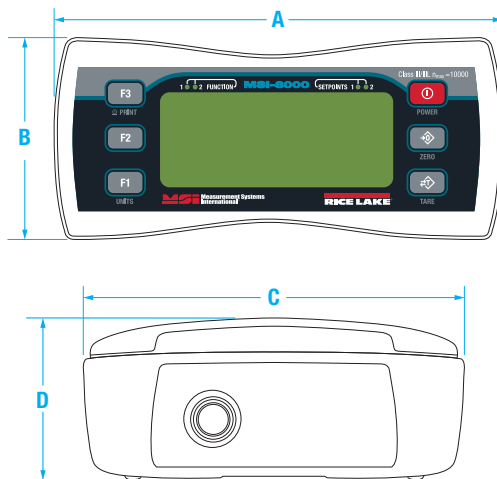
Part #	Description	Est. Weight	Price
139381	MSI-8000 RF remote display	5 lb	\$1,500.00

Options/Accessories

Part #	Description	Est. Weight	Price
149549	Universal 115/230 VAC 50/60 Hz (NA plug standard) battery charger for MSI-8000 RF remote display	3 lb	\$175.00
149550	Universal 115/230 VAC 50/60 Hz (EC plug standard) battery charger for MSI 8000 RF remote display	1 lb	\$170.00
150964	DB9 female serial interface cable for MSI-8000 RF remote display	1 lb	\$210.00
151095	Audible alarm	—	\$330.00

Dimensions

MSI-8000			
A	8.00 in (203 mm)	C	3.85 in (98 mm)
B	3.85 in (98 mm)	D	1.37 in (35 mm)



Standard Features

- LCD display
- Membrane keypad for remote control functionality
- User-definable function keys for added versatility
- Universal 115/230 VAC, 50/60 Hz battery charger (NA plug standard)
- Compatible with all ScaleCore™ based products including: MSI-7300 Dyna-Link 2, MSI-3460 Challenger 3, MSI-4260 Port-A-Weigh, MSI-7000 and MSI-7001 TranSend™, MSI-9600HT and MSI-6360

(Contact MSI for application consultation)

Specifications

Enclosure:

NEMA Type 4, IP65

Weight:

0.98 lb (445 g)

Keypad:

On/Off, zero (100%), tare, print and two user-defined keys for the following functions: peak hold, high resolution, total, view total, net/gross, units switching

Display:

Six-digit 1.0 in (26.4 mm) LCD screen

Units Displayed:

Pounds, kilograms, tons, metric tons, kilonewtons

Annunciators:

COZ, stable, low battery, peak, net, kg, kN, lb, M, ton, setpoint, function LEDs

Power:

Integral lithium-ion battery
Universal 115/230 VAC, 50/60 Hz battery charger (NA plug included)

Operating Time:

Up to 24 hours of continuous use (15 minute auto-shutoff with non-use)

Temperature:

Operating:
-4 °F to 140 °F (-20 °C to 60 °C)

RF Radio Link:

2.4 GHz 802.15.4
Communicates with RF 3460, 4260, 7300, 7000 & 7001

RF Effective Range:

Typically 100 to 300 ft, line of sight; for longer range consult factory

Connector:

Four-pin Turck connector for charging and RS-232 communication

Warranty:

One-year limited

OVERHEAD
WEIGHING

MSI-8000HD

Indicator/Remote Display



Approvals

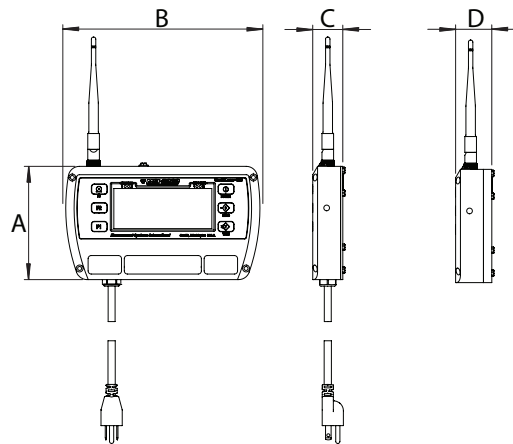


Standard Features

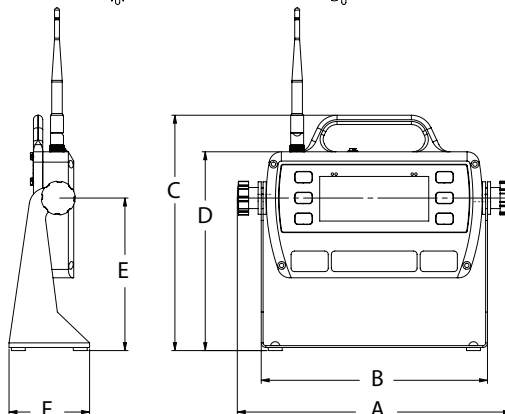
- Compatible with all ScaleCore™ based products
- LCD display
- Time and date
- Membrane keypad for remote-control functionality
- User-definable function keys for added versatility
- Swivel tilt stand

Dimensions

MSI-8000HD	
A	5.09 in (129 mm)
B	8.98 in (228 mm)
C	1.35 in (34 mm)
D	1.63 in (41 mm)



With Tilt Stand	
A	11.06 in (281 mm)
B	9.13 in (232 mm)
C	9.50 in (241 mm)
D	8.02 in (204 mm)
E	6.16 in (156 mm)
F	3.25 in (83 mm)



Options

(Contact MSI for application consultation)

- 18 to 72 VDC power
- Up to 8 configurable relay outputs
- Wi-Fi communications
- Wi-Fi indicators
- 802.15.4 Serial RF
- FHSS
- Wired Ethernet

Specifications

Power:

90 to 267 VAC, 9 to 36 VDC, 18 to 72 VDC,
120 to 300 VDC
Optional battery power module available

Excitation Voltage:

4.8 V current limited and over-voltage protected

RF Remote Channels:

Up to four remote sensors, monitored individually,
in pairs or sum all (non-A/D version only)

Service Counters:

A/D version only

A/D Inputs:

Two independent or summing load cell inputs

Filtering:

Off, Low, Hi-1, Hi-2

RF Radio Link:

2.4 GHz 802.15.4
Compatible with all ScaleCore™ based
products including:
MSI-7300 Dyna-Link 2,
MSI-3460 Challenger 3,
MSI-4260 Port-A-Weigh, MSI-7000 and MSI-7001

RF Effective Range:

Typically 100 to 300 ft, line of sight;
for longer range consult factory

Communication Ports:

Dual RS-232 communication ports

Annunciators:

stable, CO2, peak, kg, kN, lb, M, ton, setpoint,
function LEDs
Channels: 1, 2, 3, 4, TTL

Display:

Six-digit 1.0 in (26.4 mm) LCD

Units Displayed:

Pounds, kilograms, tons, metric tons, kilonewtons

Keys/Buttons:

On/Off, zero (100%), tare, print, and Two user-
defined keys for the following functions: peak hold,
high resolution, total, view total, net/gross,
units switching

Rating/Material:

Enclosure: NEMA Type 4, IP68 milled anodized
aluminum with O-ring gaskets

Temperature:

Certified: 14 °F to 104 °F (-10 °C to 40 °C)
Operating: -4 °F to 140 °F (-20 °C to 60 °C)

Warranty:

One-year limited

Approvals:

NTEP 15-110

OVERHEAD
WEIGHING

MSI-8000HD

Indicator/Remote Display

Part Number/Price

Part #	Description	Est. Weight	Price
153591	ScaleCore RF/remote display/85 to 265 VAC	5 lb (2.5 kg)	\$1,625.00
154853	ScaleCore RF/remote display/internal battery	5 lb (2.5 kg)	\$1,775.00
160476	ScaleCore RF/remote display/7 to 36 VDC	5 lb (2.5 kg)	\$1,575.00
159376	ScaleCore RF/remote display/9 to 36 VDC	5 lb (2.5 kg)	\$1,600.00
158427	Indicator/2 A/D inputs/85 to 265 VAC (non RF)	5 lb (2.5 kg)	\$1,975.00
158428	Indicator/2 A/D inputs/internal battery (non RF)	5 lb (2.5 kg)	\$2,100.00
160478	Indicator/2 A/D inputs/7 to 36 VDC (non RF)	5 lb (2.5 kg)	\$1,775.00
159380	Indicator/2 A/D inputs/9 to 36 VDC (non RF)	5 lb (2.5 kg)	\$1,800.00
158425	RF Indicator/2 A/D inputs/85 to 265 VAC	5 lb (2.5 kg)	\$2,000.00
158426	RF Indicator/2 A/D inputs/internal battery	5 lb (2.5 kg)	\$2,175.00
160477	RF Indicator/2 A/D inputs/7 to 36 VDC	5 lb (2.5 kg)	\$2,000.00
159378	RF Indicator/2 A/D inputs/9 to 36 VDC	5 lb (2.5 kg)	\$2,025.00

Options/Accessories

Part #	Description	Price
155173	MSI-8000HD spare tilt stand option kit	\$94.00
155193	MSI-8000HD Ethernet TCP/IP option kit wired	\$450.00
162178	Antenna extension kit, 6 ft	\$510.00
148624	MSI-8000HD serial RS-232 cable	\$140.00
158779	MSI-8000HD two each coil relay option kit, 250 VAC/30 VDC 5 A or 100 VDC 0.4 A	\$390.00
158780	MSI-8000HD two each solid state relay option kit, 60 V pk 2.7 A	\$390.00
158781	MSI-8000HD two each solid state relay option kit, 200 V pk 0.9 A	\$390.00
149549	Universal 115/230 VAC 50/60 Hz (NA plug standard) battery charger for MSI-8000HD battery powered device	\$175.00
149550	Universal 115/230 VAC 50/60 Hz (international plugs) battery charger for MSI-8000HD battery powered device	\$170.00
171203	Audible alarm kit	\$390.00
176963	Serial print cable (for GoDex printer)	\$175.00
Relays		
172490	Expanded relay kit, four-channel, 12 A 5 V, latching relays	Consult
172492	Expanded relay kit, four-channel, 12 A 5 V, momentary relays	Consult
Consult	Expanded relay kit, four-channel, 0.9 A 200 V pk, AC/DC solid state relays	Consult
172495	Expanded relay kit, eight-channel, 12 A 5 V, momentary relays	Consult
172500	Expanded relays option kit, four-channel, 3 A, 60 V pk solid state Form C relays	Consult
172501	Expanded relays option kit, eight-channel, 3 A 60 V pk, solid state Form C relays	Consult
172502	Expanded relays option kit, eight-channel, 0.9 A 200 V pk, solid state Form C relays	Consult
171676	Expanded relays option kit, eight-channel, 12 A 5 V, latching relays	Consult

OVERHEAD
WEIGHING

MSI-8004HD

Indicator/RF LED Remote Display



Approvals



Measurement
Canada
Approved

Standard Features

- Multicolor LED display
- Backlit membrane keypad for user functioning and controls
- Tilt bracket included
- Color changing display (via setpoints)

Options

(Contact MSI for application consultation)

- Expanded relay outputs
- Battery pack for mobile operation
- Second radio module for additional network connectivity
- Remote display 8 to 32 VDC
- Remote display 5 VDC
- Remote display 9 to 36 VDC
- Indicator 8 to 32 VDC
- Wired ethernet
- Single and dual channel analog output
- Additional antenna kits
- Extended relay option kits

Part Number/Price

Part #	Description	Price
Indicator		
221177	AC Power (85 to 264 VAC), Multi-color display, RF	\$2,025.00
221183	AC Power (85 to 264 VAC), Multi-color display, RF, Instant power-on	\$2,000.00
221179	DC Power (9 to 36 VDC), Multi-color display, RF	\$1,925.00
221181	DC Power (5 VDC), Multi-color display, RF	\$2,225.00
Remote Display		
221184	AC Power (85 to 264 VAC), Multi-color display, RF	\$1,650.00

Specifications

Power:

90 to 267 VAC, 9 to 36 VDC, 18 to 72 VDC,
120 to 300 VDC

Excitation Voltage:

4.8 V current limited and over-voltage protected

Functions:

Peak hold, high resolution, total, view total
net/gross, units switching

Units:

Pounds and kilograms

Channels:

1, 2, 3, 4, TTL

RF Remote Channels:

Up to 4 remote sensors, monitored individually,
in pairs or sum all (non-A/D version only)
(when used with TranSend™)

Service Counters:

A/D version only

A/D Inputs:

Two independent or summing load cell inputs

Relays:

Two 5 V coil, 250 VAC, 5 A relays

Filtering:

Off, Low, Hi-1, Hi-2

RF Radio Link:

2.4 GHz 802.15.4, optional second channel
for Serial RF, 802.11 Wi-Fi

RF Effective Range:

Typically 100 to 300 ft, line of sight; for longer
range consult factory

Communication Ports

Two RS-232 hard wired communication ports

Annunciators:

Stable, COZ, BT, RF, TTL, NET, kg, lb

Display:

Six-digit, 1.5 in (38 mm) LED display with red/green/
orange coloring

Keys/Buttons:

On/Off, zero, tare, print and two user-defined keys

Temperature:

Certified: 23 °F to 104 °F (-5 °C to 40 °C)
Operating: -40 °F to 140 °F (-40 °C to 60 °C)

Rating/Material:

NEMA Type 4, IP65 milled anodized aluminum

Warranty:

One-year limited

Approvals:

NTEP 17-036
Measurement Canada AM-6068

OVERHEAD
WEIGHING

MSI-8004HD

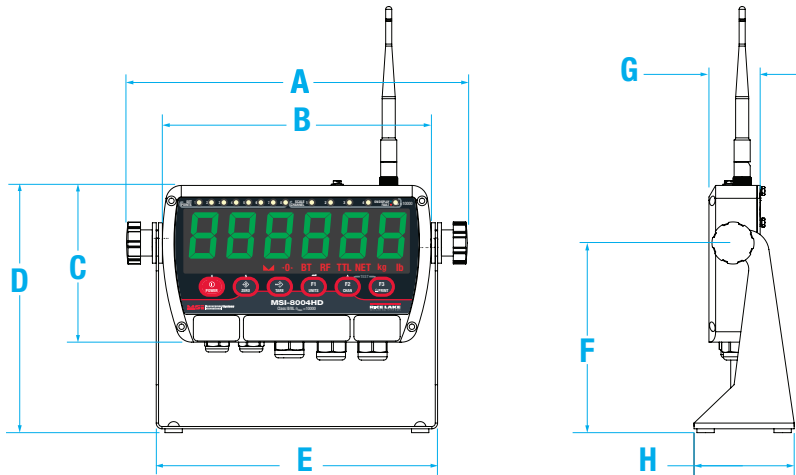
Indicator/RF LED Remote Display

Options/Accessories

Part #	Description	Price
162178	Antenna extension kit, 6 ft	\$510.00
197013	Antenna extension kit, 20 ft	\$545.00
199105	Audible alarm not compatible with battery versions	Consult
22436	Cable assembly, DB9F to bare wires, 6 in	\$70.00
183437	Battery, 5V Li-ion battery with USB power ports. Output 5 V/3.0 A per port (6.0 A max) Rate, 2 A per port (4 A if both ports are used).	\$245.00
187425	8004 option kit, Wi-Fi with TNC connector	\$200.00
187424	8004 option kit, 2nd Xbee with TNC connector	\$210.00
223594	Option Kit, Dual Analog Output, 8004HD	\$575.00
224817	Ethernet (forward module only)	\$240.00

Dimensions

MSI-8004HD			
With Tilt Stand			
A	11.10 in (282 mm)	E	9.13 in (232 mm)
B	8.76 in (223 mm)	F	6.16 in (156 mm)
C	8.02 in (204 mm)	G	3.25 in (83 mm)
D	5.09 in (129 mm)	H	1.66 in (42 mm)



OVERHEAD
WEIGHING

MSI Scoreboards Wireless RF

Featuring LaserLight2 Remote Displays



- Auto Learn mode of communication protocols
- Hold displayed weight (demand input)
- Software selectable standstill mode for no updates while in motion
- Durable weather-tight IP66 enclosure
- Adjustable daylight/night intensity
- Non-glare contrast filtered lens
- Mirror (reverse image) feature
- RS-232, 20 mA and RS-485 communications
- Auto sensing 115/230 VAC power supply
- PEMs for VESA flat-wall mount or side-mounting flange available
- Polyethylene breather vent inhibits internal moisture buildup
- Compatible with: MSI-7300 Dyna-Link 2, MSI-3460 Challenger 3, MSI-4260 Port-A-Weigh, MSI-7000 and MSI-7001 TranSend™, MSI-9600HT, MSI-6360, MSI-8000HD and MSI-8004HD

(Contact MSI for application consultation)

Specifications

Enclosure:

NEMA Type 4, IP66

Display:

Six-digit long-life LED, 4 in or 6 in

Power:

AC/DC power supply 85 to 265 VAC, 47 to 440 Hz/130 to 300 VDC

Radio Link:

Direct sequence spread spectrum at 2.4 GHz

Radio Link Effective Range:

Typically 100 to 300 ft, line of sight; for longer range consult factory

Standard Antenna:

1/2 wave 2 dBi, articulated

Warranty:

One-year limited

Echo Data Output:

RS-232

Standard Features

- Tilt mounting bracket
- Integrated data repeater
- Six high-intensity red digits (double-row discrete LED)

Part Number/Price

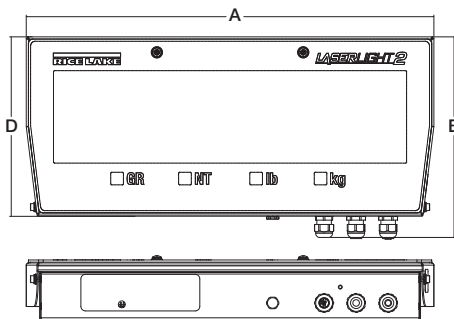
Part #	Description	Est. Weight	Price
178004	LaserLight2, 4 in with ScaleCore RF and tilt bracket		\$2,675.00
178006	LaserLight2, 6 in with ScaleCore RF and tilt bracket		\$3,175.00
178341	Laserlight2, 4 in with tilt bracket		\$2,550.00
178342	Laserlight2, 6 in with tilt bracket		\$3,025.00

Options/Accessories

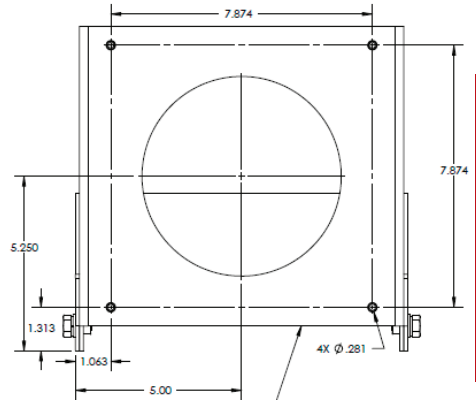
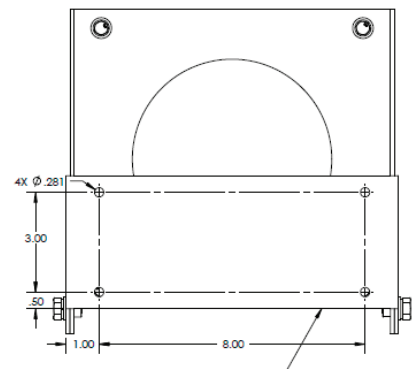
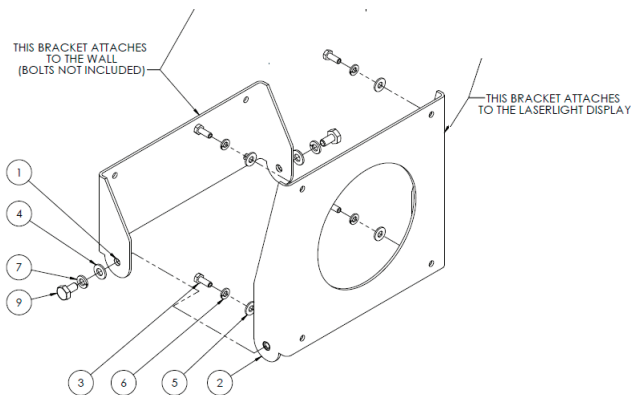
Part #	Description	Est. Weight	Price
162178	Antenna extension kit, 6 ft		\$510.00
197013	Antenna extension kit, 20 ft		\$545.00
178318	Replacement tilt bracket, LaserLight2		\$275.00

Dimensions

MSI Scoreboards Wireless RF			
22 in enclosure (4 in model)		31 in enclosure (6 in model)	
A	22.28 in (565 mm)	C	3.28 in (85 mm)
B	10.96 in (280 mm)	D	9.80 in (250 mm)
A	30.63 in (780 mm)	C	3.73 in (95 mm)
B	13.94 in (355 mm)	D	12.77 in (325 mm)



THIS BRACKET ATTACHES TO THE WALL (BOLTS NOT INCLUDED)



OVERHEAD WEIGHING

TranSend™ MSI-7000

Wireless Load Cell Interface System



Standard Features

- Works with any basic digital weight indicator
- Excitation to load cell(s) provided by the transmitter, not the indicator
- Each transmitter/receiver set is individually paired
- Serial communication cable included with all transmitters
- IP68 milled aluminum enclosure

Options

(Contact MSI for application consultation)

- Multiple antenna selections
- 7 to 36 VDC power (input)

Specifications

Power:

5 to 6 VDC, 85 to 265 VAC

Excitation Voltage:

Transmitter: + 4.8 VDC, 16 × 350 ohm or 32 × 700 ohm load cells

Standard Antenna:

1/2 wave 2 dBi, articulated

Frequency:

Direct sequence spread spectrum at 2.4 GHz, 802.15.4

Effective Range:

Typically 100 to 300 ft, line of sight; for longer range consult factory

Communication Ports:

Full duplex RS-232

Circuit Protection:

RFI, EMI, ESD protection

Temperature:

Operating:
-40 °F to 185 °F (-40 °C to 85 °C)

Rating/Material:

IP68, milled aluminum enclosure

Additional RF Options:

Wi-Fi
802.15.4
FHSS

Warranty:

One-year limited

Part Number/Price

Part #	Description	Est. Weight	Price
Transmitters			
5 to 6 VDC Power Input			
159207	Four-channel transmitter, no relays, RF 802.15.4, 2.4 GHz	2 lb	\$1,125.00
161949	Four-channel transmitter, includes three coil relays, RF 802.15.4, 2.4 GHz	2 lb	\$1,275.00
176648	Four-channel transmitter, no relays, Wi-Fi	2 lb	\$1,175.00
176652	Four-channel transmitter, includes three coil relays, Wi-Fi	2 lb	\$1,350.00
85 to 265 VAC Power Input			
159469	Four-channel transmitter, no relays, RF 802.15.4, 2.4 GHz	2 lb	\$1,175.00
161950	Four-channel transmitter, includes three coil relays, RF 802.15.4, 2.4 GHz	2 lb	\$1,375.00
176647	Four-channel transmitter, no relays, Wi-Fi	2 lb	\$1,250.00
176651	Four-channel transmitter, includes three coil relays, Wi-Fi	2 lb	\$1,450.00
Receivers			
5 to 6 VDC Power Input			
160016	Four-channel receiver to provide an analog output signal: 4 to 20 mA, 0 to 20 mA, 0 to 5 VDC, 0 to 10 VDC, ± 5 VDC, ± 10 VDC, includes three coil relays, RF 802.15.4, 2.4 GHz	2 lb	\$1,350.00
160017	MSI-7000 four-channel receiver to provide RS232 serial output	2 lb	\$1,350.00
85 to 265 VAC Power Input			
159477	Four-channel receiver to provide RS232 serial output	2 lb	\$1,250.00
159475	Four-channel receiver to provide an analog output signal: 4 to 20 mA, 0 to 20 mA, 0 to 5 VDC, 0 to 10 VDC, ± 5 VDC, ± 10 VDC, includes three coil relays, RF 802.15.4, 2.4 GHz	2 lb	\$1,625.00

Options/Accessories

Part #	Description	Price
162172	Charger, TranSend™ for 6 V SLA battery	\$73.00
162173	Battery, TranSend 6 V SLA	\$145.00
162175	Enclosure, TranSend for 6 V SLA battery	\$365.00
160109	AC adapter, TranSend 6 V	\$62.00
143531	Power cord, 6 V SLA battery charger EU	\$33.00
143533	Power cord, 6 V SLA battery charger, Australia	\$54.00
143534	Power cord, 6 V SLA battery charger, UK	\$49.00
160110	265 VAC to 6 VDC wall adapter US/UK/EU/AUS/China	\$62.00
162178	Antenna extension kit, 6 ft coax cable	\$510.00
144345	30 m coaxial cable, for use with non-vehicle mount antenna kits	\$480.00
139313	Antenna kit, vehicle mount. 5 dBi with 5 m coaxial cable	\$160.00
150964	RS-232 13 ft (4 m) serial cable with nine-pin (female) connector	\$210.00
150965	RS-232 13 ft (4 m) serial cable with nine-pin (male) connector	\$180.00
145085	RS-232 serial cable, unterminated	\$145.00

OVERHEAD
WEIGHING

TranSend™ MSI-7001

Wireless Load Cell Interface System



Standard Features

- Works with any basic digital weight indicator
- Excitation to load cell(s) provided by the transmitter, not the indicator
- Each transmitter/receiver set is individually paired
- Serial communication cable included with all transmitters
- IP68 milled aluminum enclosure

Options

(Contact MSI for application consultation)

- Multiple antennas

Specifications

Power:

5 to 6 VDC, 7 to 36 VDC, 85 to 265 VAC

Excitation Voltage:

Transmitter: + 4.8 VDC, 16 × 350 ohm or 32 × 700 ohm load cells

Standard Antenna:

1/2 wave 2 dBi, articulated

Frequency:

Direct sequence spread spectrum at 2.4 GHz, 802.15.4

Effective Range:

Typically 100 to 300 ft, line of sight; for longer range consult factory

Communication Ports:

Full duplex RS-232

Circuit Protection:

RFI, EMI, ESD protection

Temperature:

Operating:
-40 °F to 185 °F (-40 °C to 85 °C)

Rating/Material:

IP68, milled aluminum enclosure

Additional RF Options:

Wi-Fi
802.15.4
FHSS

Warranty:

One-year limited

Part Number/Price

Part #	Description	Est. Weight	Price
Transmitters			
5 to 6 VDC Power Input			
160330	Single-channel transmitter, no relays, RF 802.15.4, 2.4 GHz	2 lb	\$1,050.00
176655	Single-channel transmitter, no relays, Wi-Fi	2 lb	\$1,125.00
7 to 36 VDC Power Input			
160329	Single-channel transmitter, no relays, RF 802.15.4, 2.4 GHz	2 lb	\$1,125.00
176656	Single-channel transmitter, no relays, Wi-Fi	2 lb	\$1,175.00
85 to 265 VAC Power Input			
160328	Single-channel transmitter, no relays, RF 802.15.4, 2.4 GHz	2 lb	\$1,150.00
176654	Single-channel transmitter, no relays, Wi-Fi	2 lb	\$1,225.00
Receivers			
5 to 6 VDC Power Input			
160337	Single-channel receiver to provide a mV signal to a digital weight indicator, RF 802.15.4, 2.4 GHz	2 lb	\$1,125.00
160334	Single-channel receiver to provide an analog output signal: 4 to 20 mA, 0 to 20 mA, 0 to 5 VDC, 0 to 10 VDC, ± 5 VDC, ± 10 VDC, RF 802.15.4, 2.4 GHz	2 lb	\$1,175.00
161941	Single-channel receiver to provide RS232 serial output	2 lb	\$870.00
7 to 36 VDC Power Input			
160336	Single-channel receiver to provide a mV signal to a digital weight indicator, RF 802.15.4, 2.4 GHz	2 lb	\$1,225.00
161939	Single-channel receiver to provide RS232 serial output	2 lb	\$990.00
160333	Single-channel receiver to provide an analog output signal: 4 to 20 mA, 0 to 20 mA, 0 to 5 VDC, 0 to 10 VDC, ± 5 VDC, ± 10 VDC, RF 802.15.4, 2.4 GHz	2 lb	\$1,350.00
85 to 265 VAC Power Input			
160335	Single-channel receiver to provide a mV signal to a digital weight indicator, RF 802.15.4, 2.4 GHz	2 lb	\$1,275.00
161938	Receiver to provide RS232 serial output	2 lb	\$1,075.00
160332	7001AN AC power	-	\$1,400.00

OVERHEAD
WEIGHING

TranSend™ MSI-7001

Wireless Load Cell Interface System

Options/Accessories

Part #	Description	Price
162177	Cordset, TranSend, pre-wired for use with single channel transmitters or non-relay based receivers	\$145.00
164865	Cable, 4 m, one-channel, mV/V output, LC input	\$145.00
165648	Cable, 5 m, one-channel, mV/V output, LC input	\$175.00
165651	Cable, 10 m, one-channel, mV/V output, LC input	\$240.00
162184	Load cell connector, TranSend, field wireable, 4 to 6 mm straight. For use with single channel transmitters and all receivers.	\$65.00
162185	Load cell connector, TranSend, field wireable, 6 to 8 mm straight. For use with single channel transmitters and all receivers.	\$65.00
162186	Load cell connector, TranSend, field wireable, 4 to 6 mm right angle. For use with single channel transmitters and all receivers.	\$65.00
162187	Load cell connector, TranSend, field wireable, 6 to 8 mm right angle. For use with single channel transmitters and all receivers.	\$65.00
145084	Cable, 2 m, one-channel, analog output	\$64.00
144400	Cable, 5 m, one-channel, analog output	\$100.00
168903	Cable, 10 m, one-channel, analog output	\$160.00
Consult	Straight connector, analog output, field wire able, 4-6 mm OD	Consult
Consult	Straight connector, analog output, field wire able, 6-8 mm OD	Consult
Consult	Right angle connector, analog output, field wire able, 4-6 mm OD	Consult
Consult	Right angle connector, analog output, field wire able, 6-8 mm OD	Consult
162172	Charger, TranSend™ for 6 V SLA battery	\$73.00
162173	Battery, TranSend 6 V SLA	\$145.00
162175	Enclosure, TranSend for 6 V SLA battery	\$365.00
160109	AC adapter, TranSend 6 V	\$62.00
143531	Power cord, 6 V SLA battery charger EU	\$33.00
143533	Power cord, 6 V SLA battery charger, Australia	\$54.00
143534	Power cord, 6 V SLA battery charger, UK	\$49.00
160110	265 VAC to 6 VDC wall adapter US/UK/EU/AUS/China	\$62.00
162178	Antenna extension kit, 6 ft coax cable	\$510.00
144345	30 m coaxial cable, for use with non-vehicle mount antenna kits	\$480.00
139313	Antenna kit, vehicle mount. 5 dbi with 5 m coaxial cable	\$160.00
150964	RS-232 13 ft (4 m) serial cable with nine-pin (female) connector	\$210.00
150965	RS-232 13 ft (4 m) serial cable with nine-pin (male) connector	\$180.00
145085	RS-232 serial cable, unterminated	\$145.00

OVERHEAD
WEIGHING

TranSend™ MSI-7000HD

Wireless Load Cell Interface System



Standard Features

- Works with any basic digital weight indicator
- Excitation to load cell(s) provided by the transmitter, not the indicator
- Each transmitter/receiver set is individually paired
- Serial communication cable included with all transmitters
- IP68 milled aluminum enclosure

Options

(Contact MSI for application consultation)

- Multiple antennas

Specifications

Power:

7 to 36 VDC, 9 to 36 VDC, 85 to 265 VAC

Excitation Voltage:

Transmitter: +4.8 VDC, 16 × 350 ohm or 32 × 700 ohm load cells

Standard Antenna:

1/2 wave 2dBi, articulated

Frequency:

Direct sequence spread spectrum at 2.4 GHz, 802.15.4

Effective Range:

Typically 100 to 300 ft, line of sight; for longer range consult factory

Communication Ports:

Full duplex RS-232

Circuit Protection:

RFI, EMI, ESD protection

Temperature:

Operating:
-40 °F to 185 °F (-40 °C to 85 °C)

Rating/Material:

IP68, milled aluminum enclosure

Additional RF Options:

Wi-Fi
802.15.4
FHSS

Warranty:

One-year limited

Part Number/Price

Part #	Description	Est. Weight	Price
Transmitters			
7 to 36 VDC Power Input			
177944	Four-channel 7 to 36 VDC, three coil relays, 802.15.4		\$2,350.00
177997	Four-channel 7 to 36 VDC, three coil relays, Wi-Fi		\$2,350.00
9 to 36 VDC Power Input			
177945	Four-channel 9 to 36 VDC isolated, three coil relays, 802.15.4		\$2,450.00
177998	Four-channel 9 to 36 VDC isolated, three coil relays, Wi-Fi		\$2,475.00
85 to 265 VAC Power Input			
177942	Four-channel 85 to 265 VAC, three coil relays, 802.15.4		\$2,400.00
177995	Four-channel 85 to 265 VAC, three coil relays, Wi-Fi		\$2,425.00

Options/Accessories

Part #	Description	Price
187424	Dual XBee option kit for 7000HD with TNC antenna	\$210.00
162178	Antenna extension kit, 6 ft coax cable	\$510.00
144345	30 m coaxial cable, for use with non-vehicle mount antenna kits	\$480.00
139313	Antenna kit, vehicle mount. 5 dbi with 5 m coaxial cable	\$160.00
148624	RS-232/RS-485 serial cable	\$140.00
143348	Cordset IP68 5-pin male	\$135.00
141263	12 V battery half plate, requires separate power cable	\$1,550.00

OVERHEAD
WEIGHING

TranSend™ MSI-7001HD

Wireless Load Cell Interface System



Standard Features

- Works with any basic digital weight indicator
- Excitation to load cell(s) provided by the transmitter, not the indicator
- Each transmitter/receiver set is individually paired
- Serial communication cable included with all transmitters
- IP68 milled aluminum enclosure

(Contact MSI for application consultation)

Specifications

Power:

5 to 6 VDC, 7 to 36 VDC, 9 to 36 VDC, 85 to 265 VAC

Excitation Voltage:

Transmitter: +4.8 VDC, 16 × 350 ohm or 32 × 700 ohm load cells

Standard Antenna:

1/2 wave 2dBi, articulated

Frequency:

Direct sequence spread spectrum at 2.4 GHz, 802.15.4

Effective Range:

Typically 100 to 300 ft, line of sight; for longer range consult factory

Communication Ports:

Full duplex RS-232

Circuit Protection:

RFI, EMI, ESD protection

Temperature:

Operating: -40 °F to 185 °F (-40 °C to 85 °C)

Rating/Material:

IP68, milled aluminum enclosure

Additional RF Options:

Wi-Fi
802.15.4
FHSS

Warranty:

One-year limited

Part Number/Price

Part #	Description	Est. Weight	Price
Transmitters			
5 to 6 VDC			
178010	Two-channel 5 to 6 VDC, 802.15.4		\$1,325.00
178018	Two-channel 5 to 6 VDC, Wi-Fi		\$1,425.00
7 to 36 VDC			
178011	Two-channel 7 to 36 VDC, 802.15.4		\$1,400.00
178019	Two-channel 7 to 36 VDC, Wi-Fi		\$1,425.00
9 to 36 VAC Isolated			
178012	Two-channel 9 to 36 VDC isolated, 802.15.4		\$1,425.00
178020	Two-channel 9 to 36 VDC isolated, Wi-Fi		\$1,500.00
85 to 265 VAC			
178021	Two-channel 85 to 265 VAC, 802.15.4		\$1,450.00
178017	Two-channel 85 to 265 VAC, Wi-Fi		\$1,475.00

Options/Accessories

Part #	Description	Price
162172	Charger, TranSend™ for 6 V SLA battery	\$73.00
162173	Battery, TranSend 6 V SLA	\$145.00
162175	Enclosure, TranSend for 6 V SLA battery	\$365.00
160109	AC adapter, TranSend 6 V	\$62.00
143531	Power cord, 6 V SLA battery charger EU	\$33.00
143533	Power cord, 6 V SLA battery charger, Australia	\$54.00
143534	Power cord, 6 V SLA battery charger, UK	\$49.00
160110	265 VAC to 6 VDC wall adapter US/UK/EU/AUS/China	\$62.00
162178	Antenna extension kit, 6 ft coax cable	\$510.00
144345	30 m coaxial cable, for use with non-vehicle mount antenna kits	\$480.00
139313	Antenna kit, vehicle mount. 5 dBi with 5 m coaxial cable	\$160.00
148624	RS-232/RS-485 serial cable	\$140.00
143348	Cordset IP68, 5-pin	\$135.00

OVERHEAD WEIGHING

ScaleCore Webserver

Wireless Network Router/Webserver



Approvals



Part Number/Price

Part #	Description	Price
207943	ScaleCore Webserver, 5 VDC and PoE	\$4,025.00
209704	ScaleCore Webserver, 7 to 14 VDC and PoE	\$4,025.00
210817	ScaleCore Webserver, 85 to 265 VAC and PoE wall cube	\$4,025.00

Options/Accessories

Part #	Description	Price
Consult	Extended-range antennas	Consult
213559	MSI-8000 handheld remote display with Wi-Fi, (only to be used with MSI ScaleCore Webserver systems and applications)	\$1,650.00

Standard Features

- Display and control multiple ScaleCore based scales, indicators, remote displays and receivers through network connected devices using a web browser, including cell phones, tablets, and PCs.
- Capable of functioning either with an existing Wi-Fi network or as its own Wi-Fi router
- Can be powered by a dedicated power input or directly through the Ethernet cable where PoE (Power over Ethernet) is supported
- RS-232 communications at up to 460 Kbps
- Scale / load cell summing
- Tiered login to limit scale functionality for different levels of users

(Contact MSI for application consultation)

Specifications

Power:

5 to 6 VDC, 7 to 14 VDC, 85 to 265 VAC, PoE

Effective Range:

Typically 100 to 300 ft, line of sight; for longer range consult factory

Minimum System Requirements:

Will display on any device with a web browser supporting HTML 5
Connected ScaleCore based MSI scales and indicators are required to have the optional Wi-Fi radio modul

Connectivity:

Wi-Fi 2.4 GHz IEEE 802.11g
Gigabit Ethernet
2 × USB 2.0 Interface
RS-232 Serial

Status Annunciators:

Units (lb, kg, short tons (tn), metric tons (t), (NONE) gross/net, motion, center of zero

Enclosure:

IP65, aluminum black powder coated (excludes 85 to 265 VAC model)

Temperature:

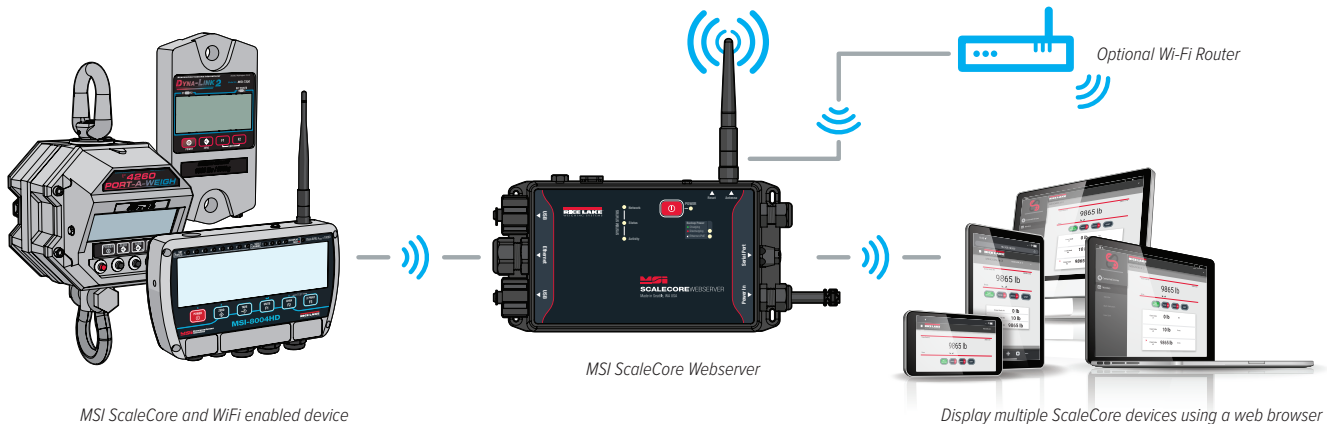
Operating:
-10 °C to 40 °C (14 °F to 104 °F)

Warranty:

One year limited

Approvals:

NTEP 21-098 Classes III and IIII at 10,000d



MSI ScaleCore and WiFi enabled device

MSI ScaleCore Webserver

Display multiple ScaleCore devices using a web browser

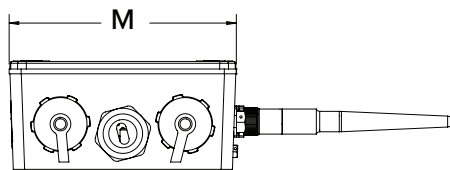
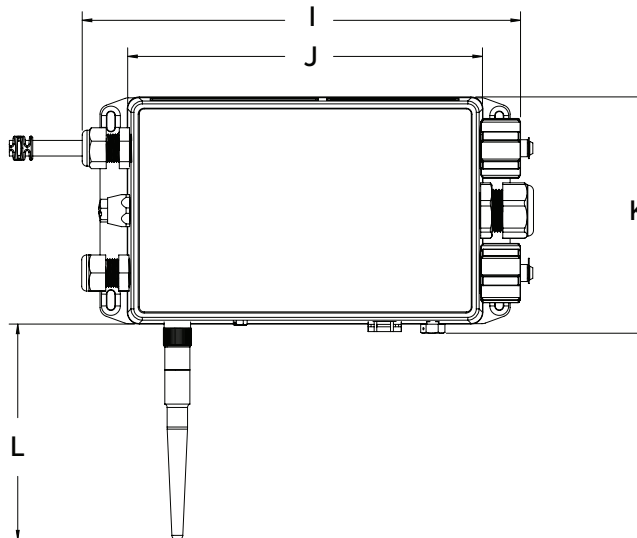
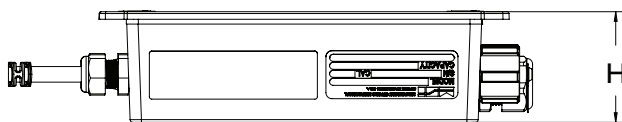
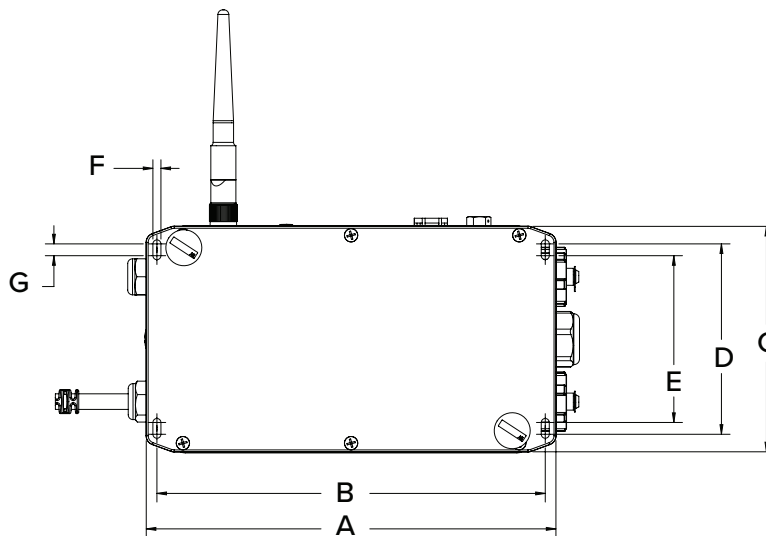
OVERHEAD
WEIGHING

ScaleCore Webserver

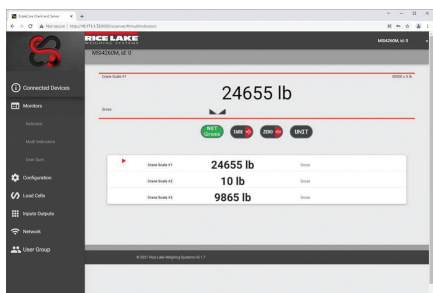
Wireless Network Router/Webserver

Dimensions

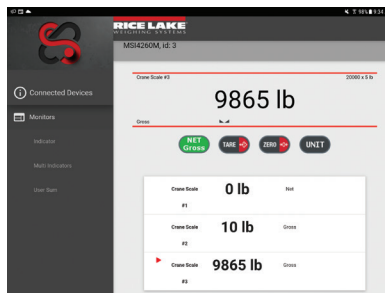
ScaleCore Webserver			
A	8.54 in (217 mm)	H	2.23 in (57 mm)
B	8.09 in (205 mm)	I	9.13 in (232 mm)
C	4.70 in (119 mm)	J	7.40 in (188 mm)
D	3.97 in (101 mm)	K	4.90 in (124 mm)
E	3.47 in (88 mm)	L	4.50 in (114 mm)
F	0.17 in (4 mm)	M	4.70 in (119 mm)
G	0.25 in (6 mm)		



OVERHEAD WEIGHING



Computer Screenshot



Tablet Screenshot



Phone Screenshot

Rugged Remote



Approvals



Part Number/Price

Part #	Description	Price
173014	MSI Rugged Remote control, non-CE	\$355.00
211841	MSI Rugged Remote control, CE approved	\$355.00

Standard Features

- Handheld
- Compatible with: MSI-7300, Dyna-Link 2, MSI-7000 Series, and all MSI Crane Scales
- Four button interface: Power, zero, tare, function

Specifications

Power:

Battery operated, three (3) AAA alkaline batteries

Function:

Power: turns unit on/off

Zero: zeros applied load up to 100% of capacity (limited range in NTEP/OIML configurations)

Tare: tares applied load and displays weight in net mode

User: programmable as test, units, net/gross, total, peak hold and setpoints

Radio Effective Range:

Typically 100 to 300 ft line of sight

Warranty:

One-year limited

Approval:

CE

Wi-Fi Information Request



Product: _____ Electronics Serial Number: _____

In order to customize a Wi-Fi module, the following information is required.

NETWORK TOPOLOGY

- Server (Soft AP) - User's laptop or tablet is connecting directly to the scale. Only one module may be connected at a time in this mode.
- Client - The scale connects to an existing router. This allows a laptop or tablet to connect to multiple scales at once.

SERVER MODE

SSID: _____
The name for the network that the laptop/tablet is connecting to.

Security Mode:

- Open - Allow anyone to connect to the scale
- WPA2 - Require a password to connect to the scale
Password: _____
Only necessary if security mode is set to WPA2.

DHCP:

- On - Assign a dynamic IP to the scale. The laptop/tablet connecting to the scale may have a dynamic IP (**RECOMMENDED**)
- Off - Assign a static IP to the scale. The laptop/tablet connecting to the scale must also have a static IP
IP Address-Static IP of the scale: _____
Net Mask/Gateway to assign to the scale: _____
Port used to connect to the scale (default 2000): _____

CLIENT MODE

SSID: _____
The SSID of the router the scale will connect to.

Security Mode of the router:

- Open
- WPA2 - Password: _____
This is the password used to connect to the router.

DHCP:

- On - Allow the router to assign a dynamic IP to the scale (**RECOMMENDED**)
- Off - Assign a static IP to the scale. This IP must be added to the static IP list in the router
IP Address-Static IP of the scale: _____
Net Mask/Gateway to assign to the scale: _____
Port used to connect to the scale (default 2000): _____