

## 4 Channel Board – FM Approved

# Installation Manual

The 4 channel board is used in many Rice Lake Weighing systems products and is FM approved. Use this document when replacing the board in existing product.



**WARNING** Some procedures described in this manual require work inside the product. These procedures are to be performed by qualified service personnel only.

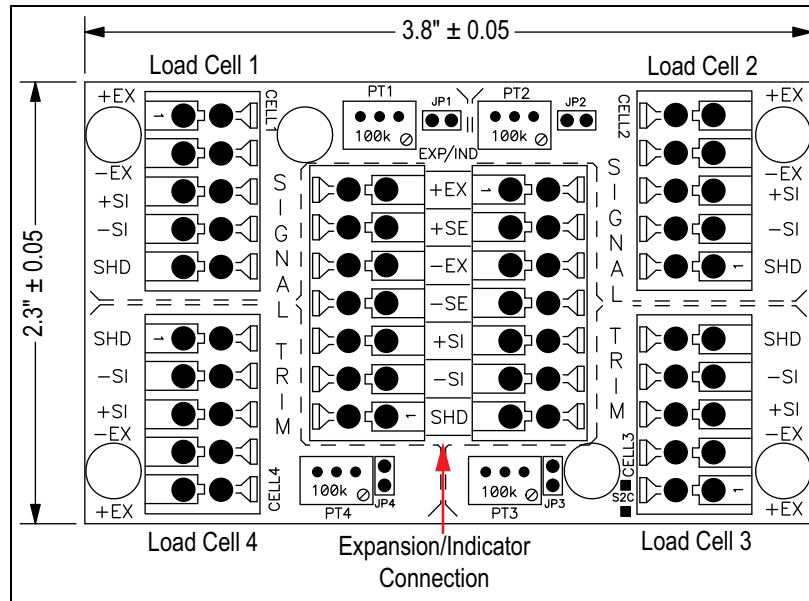


Figure 1. 4-Channel Board PN 88958

## Installation

To replace the board in existing product, follow these steps:

1. Open the product and locate the current 4-channel board.
2. Make a note of the wiring configuration of the current board.
3. Remove the wiring from the board.
4. Loosen mounting screws and remove the board from the product.
5. Install the new board and secure with mounting hardware.
6. Reinstall the wiring as noted in Step 2.
7. Close the product.

Refer to the product manual for additional information.



Manuals can viewed or downloaded on the Rice Lake Weighing Systems website at [www.ricelake.com](http://www.ricelake.com).

## Special Conditions of Use

- Clean the product enclosure with a damp cloth only - Electrostatic Charging Hazard.
- This equipment was examined and approved for connection to a single Indicator only.





© Rice Lake Weighing Systems Specifications subject to change without notice.  
Rice Lake Weighing Systems is an ISO 9001 registered company.

230 W. Coleman St. • Rice Lake, WI 54868 • USA  
U.S. 800-472-6703 • Canada/Mexico 800-321-6703 • International 715-234-9171 • Europe +31 (0)26 472 1319