

# Remote Displays / Scoreboards

## TABLE OF CONTENTS

<b>LASERLIGHT2™</b> .....	<b>902</b>
<i>Four-inch, Six-inch, Four-inch Stop/Go Remote Display</i>	
<b>LASERLIGHT® M-SERIES</b> .....	<b>904</b>
<i>8-, 12-Character Messaging Remote Displays</i>	
<b>LASERLT-60 AND LASERLT-100</b> .....	<b>906</b>
<i>Two-inch, Four-inch Remote Display or Weight Indicator</i>	
<b>RD-232</b> .....	<b>908</b>
<i>0.8-inch LED Remote Display</i>	
<b>RD-300</b> .....	<b>910</b>
<i>1.0-inch LCD Remote Display</i>	

Product names, logos, brands, and other trademarks featured or referred to within this publication are the property of their respective trademark holders.

# LaserLight2™

Four-inch, Six-inch, Four-inch Stop/Go Remote Display



## Specifications

### Display:

6-digit, 7-segment discrete oval red LED lamps  
 Contrast enhanced optical filtering lens  
 1- or 2-place decimal or comma indication  
 4 annunciators for GR, NT, lb, kg  
 4-inch red, green ball/arrow in Stop/Go model

### Maximum Viewing Distance:

4 in: 200 ft (65 m)  
 6 in: 300 ft (100 m)

### Input Interface:

RS-232, RS-485, 20 mA current loop (active or passive, switch selectable)

### Output Interface:

Independently configurable echo out port or RS-232

### Input Data Format:

Baud Rate: 1200, 2400, 4800, 9600 and 19200  
 self-learning or software selectable

### Character Format:

7 or 8 data bits; even, odd, or no parity; 1 or 2 stop bits, self-learning or software selectable

### Update:

Continuous or out-of-motion only; software selectable

### Power Consumption:

AC voltages: 100-240VAC; 50-60Hz  
 4 in: 21 watt  
 6 in: 27 watt

### Time:

Software enable/disable, 12- or 24-hour format

### Date:

Software enable/disable, US or ISO format

### Rating/Material:

IP66 weathertight, mild steel, powder coated

### Dimensions:

4-inch (L x H): 22.28 in x 9.8 in  
 6-inch (L x H): 30.63 in x 12.77 in  
 Stop/Go (L x H): 30.63 in x 12.77 in  
 (flanges add 2.00 in width)

### Weight:

4 in: 20 lb (9 kg)  
 6 in: 25 lb (11 kg)

### Operating Temperature Range:

-40°F to 120°F (-40°C to 49°C)

### Warranty:

Two-year limited warranty

### Approvals:

UL/cUL on specific part numbers

## Standard Features

- Available with a 4 in (100 mm) or 6 in (150 mm) display
- Six high-intensity red digits (double-row discrete LED)
- Time and date displayed when scale is empty
- Auto Learn mode of communication protocols
- Hold displayed weight (demand input)
- Software selectable standstill mode for no updates while in motion
- Durable weathertight IP66 enclosure
- Adjustable daylight/night intensity
- Non-glare contrast filtered lens
- Mirror (reverse image) function
- RS-232, 20 mA and RS-485 communications
- Auto sensing 115/230 VAC power supply
- Wall mounted with side flanges or with VESA mount
- Goretex® breather vent inhibits internal moisture buildup
- Red, green and arrow lights in stop/go version

## APPROVALS\*



\*See Specific Part Numbers

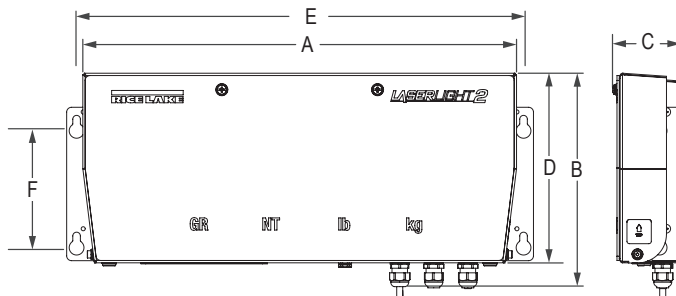
## Dimensions

### 22-inch Enclosure (Four-inch Model)

A	22.28 in (565 mm)	D	9.80 in (250 mm)
B	10.96 in (280 mm)	E	23.00 in (584 mm)
C	3.28 in (85 mm)	F	6.00 in (152 mm) 3/8 inch bolt

### 31-inch Enclosure (Six-inch and Stop/Go Models)

A	30.63 in (780 mm)	D	12.77 in (325 mm)
B	13.94 in (355 mm)	E	31.00 in (787 mm)
C	3.73 in (95 mm)	F	7.75 in (197 mm) 3/8 inch bolt



# LaserLight2™

Four-inch, Six-inch, Four-inch Stop/Go Remote Display

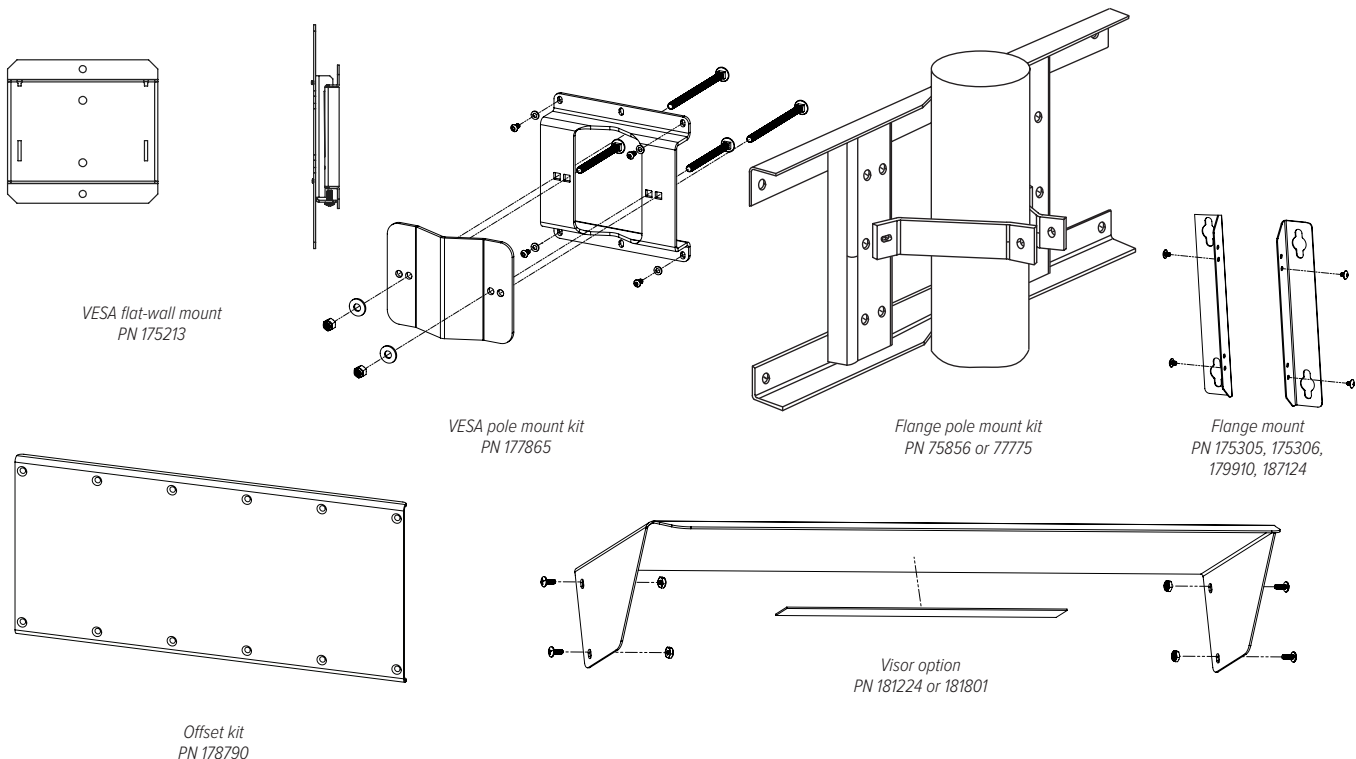
## Part Number/Price

Part #	Description	Est. Weight	Price
<b>Flange Mounted (included)</b>			
167091	LaserLight2 remote display 4-inch (100 mm) includes PN 175305	20lb	\$1,900.00
179521*	LaserLight2 remote display 4-inch (100 mm) marked UL/cUL includes PN 175305	20lb	\$2,100.00
175286	LaserLight2 remote display 4-inch (100 mm) stainless steel includes PN 179910	20lb	\$2,250.00
167092	LaserLight2 remote display 6-inch (150 mm) includes PN 175306	25lb	\$2,400.00
179523*	LaserLight2 remote display 6-inch (150 mm) marked UL/cUL includes PN 175306	25lb	\$2,600.00
167093	LaserLight2 remote display stop/go 4-inch (100 mm) includes PN 175306	25lb	\$2,400.00
179525*	LaserLight2 remote display stop/go 4-inch (100 mm) marked UL/cUL includes PN 175306	25lb	\$2,600.00
187120	LaserLight2 remote display stop/go 4-inch (100 mm) stainless steel includes PN 187124	25lb	\$2,825.00
<b>VESA Mounted (included)</b>			
175860	LaserLight2 remote display 4-inch (100 mm) includes PN 175213	20lb	\$1,925.00
179522*	LaserLight2 remote display 4-inch (100 mm) marked UL/cUL includes PN 175213	20lb	\$2,125.00
175861	LaserLight2 remote display 6-inch (150 mm) includes PN 175213	25lb	\$2,425.00
179524*	LaserLight2 remote display 6-inch (150 mm) marked UL/cUL includes PN 175213	25lb	\$2,625.00
175862	LaserLight2 remote display stop/go 4-inch (100 mm) includes PN 175213	25lb	\$2,425.00
179526*	LaserLight2 remote display stop/go 4-inch (100 mm) marked UL/cUL includes PN 175213	25lb	\$2,625.00

\*UL/cUL on specific models

## Options/Accessories

Part #	Description	Price
175052	Wireless interface, pair of ConnexLink Radios and mount	\$835.00
Consult	LaserLight2 green display (modified LED boards)	Consult
175213	Mount bracket, VESA flat-wall option (included with VESA mounted remote)	\$85.00
175305	Mount bracket, 4-inch flange option (included with flange mounted remote)	\$27.00
175306	Mount bracket, 6-inch flange option (included with flange mounted remote)	\$27.00
179910	Mount bracket, 4-inch stainless steel flange option (included with flange mounted stainless steel remote)	\$30.00
187124	Mount bracket, 6-inch stainless steel flange option (included with flange mounted stainless steel remote)	\$40.00
75856	Pole mount kit, 4-inch flange option (24-inch wide frame for 4-8 inch dia. pole)	\$250.00
77775	Pole mount kit, 6-inch and 4-inch stop/go flange option (32-inch wide frame for 4-8 inch dia. pole)	\$250.00
177865	Pole mount kit, VESA flat-wall option mount for 2-6 inch pole	\$80.00
178790	Offset kit (right or left flag mount) used with universal pole mount (requires PN 177865)	\$75.00
181224	Visor for 22 inch enclosure (not required for weather protection)	\$160.00
181801	Visor for 31 inch enclosure (not required for weather protection)	\$175.00



# LaserLight® M-Series

8-, 12-Character Messaging Remote Displays

Limited Stock Available



3M12 Display



3M8 Display

## Standard Features

- Available with 8- and 12-character display
- 2.75- in (70 mm) high-intensity red character (discrete LED)
- Four annunciators for gross, net, lb, kg
- Auto Learn mode of communication protocols
- Display messages scroll, slide and flash
- Hold displayed weight (demand input)
- Software selectable standstill mode, no updates while in motion
- Software configuration menu
- Durable weathertight enclosure
- Adjustable daylight/night intensity
- Non-glare contrast filtered lens
- Mirror (reverse image) function
- RS-232, 20mA and RS-485 communications
- Auto sensing 115/230 VAC power supply
- Porous polyethylene breather vent

## APPROVALS\*



\*See Specific Part Numbers

## Specifications

### Display:

2.75-in (70 mm) digit; 5 x 7 dot matrix using discrete oval precision optical performance red LED lamps  
Contrast enhanced optical filtering lens  
1- or 2-place decimal or comma indication  
4 annunciators for GR, NT, lb, kg

### Input Interface:

RS-232, RS-485, 20 mA current loop (active or passive, switch selectable)

### Maximum Viewing Distance:

150 ft (50 m)

### Output Interface:

Independently configurable echo out port, RS-232 or 20 mA current loop (active or passive, switch selectable)

### Input Data Format:

Baud Rate: 1200, 2400, 4800, 9600, and 19200 self learning or software selectable  
Character Format: 7 or 8 data bits; even, odd or no parity; 1 or 2 stop bits, self learning or software selectable

### Update:

Continuous or out-of-motion only; software selectable

### Power Consumption:

8-character: 21 watt  
12-character: 27 watt

### Time Option:

Software enable/disable, 12- or 24-hour format

### Date Option:

Software enable/disable, US or ISO format

### Rating/Material:

Weatherproof, mild steel, powder coated

### Weight:

8-character: 16 lb (7 kg)  
12-character: 22 lb (10 kg)

### Operating Temperature Range:

-40°F to 120°F (-40°C to 49°C)

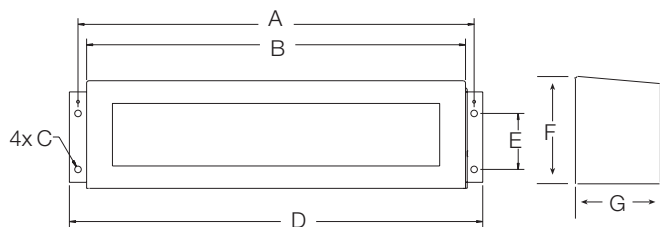
### Warranty:

Two-year limited warranty

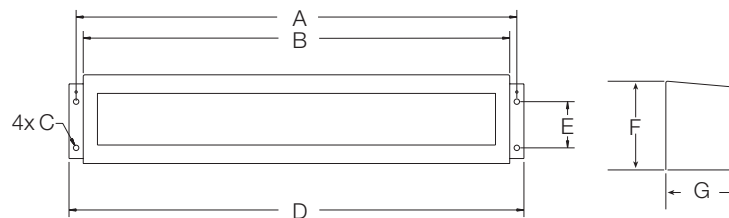
### Approvals:

UL/cUL on specific part numbers

Dimensions			
3M8 Enclosure			
A	23.00 in (584 mm)	E	3.25 in (83 mm)
B	22.00 in (559 mm)	F	6.25 in (159 mm)
C	0.38 in (10 mm)	G	5.00 in (127 mm)
D	24.00 in (610 mm)		
3M12 Enclosure			
A	31.00 in (787 mm)	E	3.25 in (83 mm)
B	30.00 in (762 mm)	F	6.25 in (159 mm)
C	0.38 in (10 mm)	G	5.00 in (127 mm)
D	32.00 in (813 mm)		



LaserLight 3M8



LaserLight 3M12

# LaserLight® M-Series

Eight, Twelve Character Messaging Remote Display

## Part Number/Price

Part #	Description	Est. Weight	Price
<b>85137</b>	LaserLight 3M8 messaging 8-character	22 lb	\$1,750.00
<b>Consult*</b>	LaserLight 3M8 messaging 8-character, marked UL/cUL	22 lb	\$1,850.00
<b>85152</b>	LaserLight 3M12 messaging 12-character	27 lb	\$2,100.00
<b>Consult*</b>	LaserLight 3M12 messaging 12-character, marked UL/cUL	27 lb	\$2,300.00

\* LaserLights with UL/cUL approval

## Options/Accessories

Part #	Description	Price
<b>75853</b>	Time and date	\$135.00
<b>75854</b>	Visor for LaserLight 3M8, 22 inch	\$158.00
<b>85343</b>	3M8 LaserLight pole mount kit	\$250.00
<b>85344</b>	3M12 LaserLight pole mount kit	\$250.00
<b>75936</b>	Additional operating manual	\$31.00
<b>103178</b>	Wireless RFI interface, includes pair of ConnexLink™ radios (for 3M12 only)	\$835.00

# LaserLT-60 and LaserLT-100

Two-inch, Four-inch Remote Display or Weight Indicator



LaserLT-60



LaserLT-100

## Specifications

### Display:

6-digit, 7-segment discrete oval red LED lamps, single width  
2.4 in (60 mm) or 4 in (100 mm) digit  
Decimal/comma indication in any position  
Annunciators for NT, Stability, COZ

### Maximum Viewing Distance:

LaserLT-60: 2.4 in digit 75 ft (25 m)  
LaserLT-100: 4 in digit 150 ft (50 m)

### Input Interface:

RS-232, RS-485

### Output Interface:

RS-232, RS-485

### Input Data Format:

Baud Rate: 1200 to 115.2 K software selectable  
Even parity 7 data bits, or no parity 8 data bits

### Update:

Software selectable 1-20/sec

### Digital I/O:

Two inputs, 12-24 VDC  
Two outputs, 48 VAC, 60 VDC max

### Rating/Material:

304 stainless steel, IP68

### Weight:

10 lb

### Operating Temperature:

-40°F to 120°F (-40°C to 49°C)

### Warranty:

One-year limited warranty

### Approvals:

CE marked

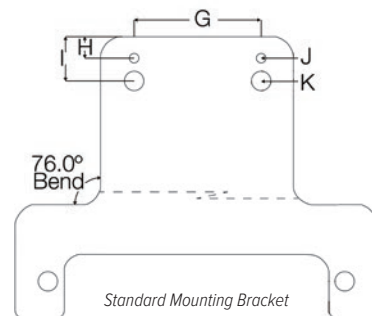
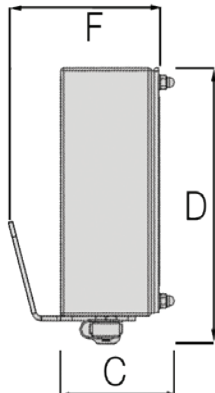
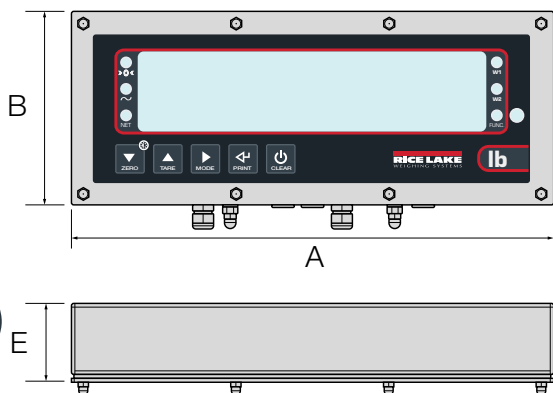
## Standard Features

- Available as a 2.4 in (60 mm) or 4 in (100 mm) display
- Six-digit display with high-intensity LEDs
- Auto Learn mode, weight value only
- Configuration for format length, weight location, termination character
- Manual Configuration mode for reading weight, variables and bitmap bytes
- Parameters for motion, overload, decimal point, net character, COZ
- Status LEDs for Zero, Motion, Net, Unit 1, Unit 2
- Integrated five-key waterproof keypad with configurable scale commands
- Adjustment for six levels of brightness through the keypad
- Includes removable back wall-mount bracket
- Fitted with anti-condensation air valve to regulate humidity and pressure
- Powered with 110 - 240 VAC or 12 to 24 VDC

## APPROVALS



Dimensions			
<b>LaserLT-60</b>			
A	16.14 in (410 mm)	D	7.28 in (185 mm)
B	6.50 in (165 mm)	E	2.64 in (67 mm)
C	3.03 in (77 mm)	F	4.84 in (123 mm)
<b>LaserLT-100</b>			
A	16.93 in (430 mm)	D	7.63 in (194 mm)
B	7.28 in (185 mm)	E	2.52 in (64 mm)
C	2.52 in (64 mm)	F	3.98 in (101 mm)
<b>Mount Bracket</b>		<b>Hole Dimensions</b>	
G	2.36 in (60 mm)	J	0.24 in (6 mm)
H	0.39 in (10 mm)	K	0.39 in (10 mm)
I	0.81 in (21 mm)		



# LaserLT-60 and LaserLT-100

Two-inch, Four-inch Remote Display or Weight Indicator

## Part Number/Price

Part #	Description	Price
<b>Remote Display</b>		
185253	LaserLT-60 remote display, 2.4 in (60 mm) LED	\$1,300.00
185255	LaserLT-100 remote display, 4.0 in (100 mm) LED	\$1,600.00
<b>Weight Indicator</b>		
197453*	LaserLT-60, indicator with weighing functionality 2.4 in (60 mm) LED	\$1,350.00
197454*	LaserLT-100, indicator with weighing functionality 4.0 in (100 mm) LED	\$1,650.00

\*See Instrumentation catalog section for LaserLT models that are configurable as a weight indicator (using SCT-1100 firmware).

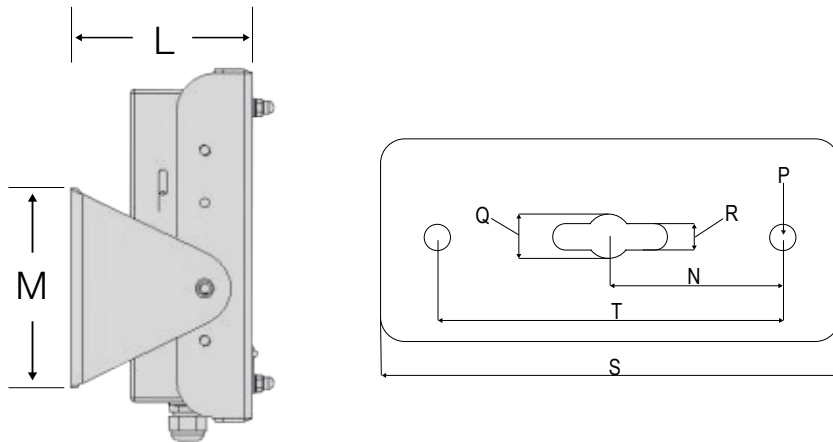
- Max 10,000 divisions or multi-range
- A/D 24 bit 4-channel conversion
- Connect 4 cells with summing or up to 4 independent weighing systems

## Options/Accessories

Part #	Description	Price
185256	Mount bracket, 2 tilting side brackets for LaserLT-100	\$60.00
185258	Visor for LaserLT-100	\$150.00

## Dimensions

Optional Side Bracket		Hole Dimensions	
L	3.98 in (101 mm)	Q	0.43 in (11 mm)
M	1.97 in (50 mm)	R	0.28 in (7 mm)
N	1.57 in (40 mm)	S	4.13 in (105 mm)
P	0.28 in (7 mm)	T	3.15 in (80 mm)



LaserLT-100  
Optional Side Bracket

# RD-232

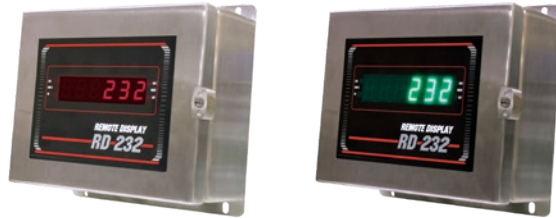
0.8-inch LED Remote Display



RD-232 NEMA Type 4X FRP Enclosure



RD-232 Compact Stainless Steel Wall Mount Enclosure



RD-232 NEMA Type 4X Stainless Steel Wall Mount Enclosure

## Specifications

**Display:**

6-digit, 7-segment, 0.8 in (20.32 mm)  
Light Emitting Diode (LED)  
Red (standard intensity)  
Green (sunlight visible)

**Status Annunciators:**

lb, kg, gross, net

**Operating Voltage:**

115 VAC, 230 VAC available  
DC Voltage Range: 6.2-18 VDC

**Input Interface:**

RS-232, 20 mA active or passive current loop  
ASCII compatible

**Baud Rate:**

Selectable: 300, 600, 1200, 2400, 4800,  
9600, 19200

**Operating Temperature:**

-13°F to 104°F (-25°C to 40°C)

**Rating/Material:**

NEMA Type 4X FRP or optional stainless steel

**Weight:**

Approximately 5 lb (2.3 kg)  
Stainless steel unit, approximately 8 lb (3.6 kg)

**Warranty:**

One-year limited warranty

## Standard Features

- NEMA Type 4X Fiberglass Reinforced Polyester (FRP) wall-mount enclosure
- Optional NEMA Type 4X stainless steel wall-mount enclosure or NEMA Type 12 panel-mount version
- Easy-to-read six-digit 0.8 in (20.3 mm) LED red (standard intensity) or green (sunlight visible)
- AC or DC operation
- Four status annunciators
- Full floating decimal point
- RS-232 or 20 mA current loop active or passive interface
- Compatible with a variety of digital weighing indicators; DIP switch selectable intuitive data receiver interprets serial strings

**Dimensions**

**FRP Enclosure**

A	8.00 in (203 mm)	D	4.00 in (101 mm)
B	9.50 in (241 mm)	E	9.00 in (222 mm)
C	6.00 in (152 mm)		

**Stainless Steel Enclosure**

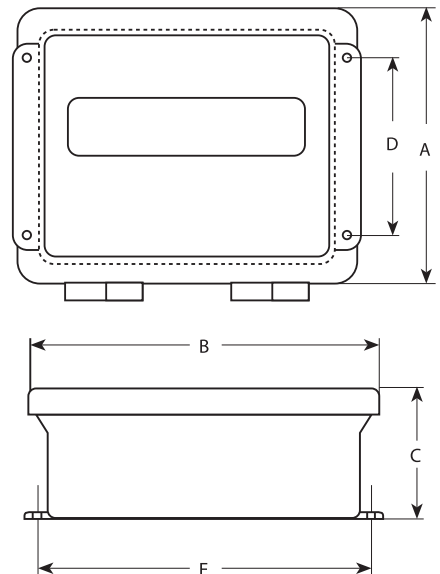
A	8.00 in (203 mm)	D	8.63 in (219 mm)
B	10.00 in (254 mm)	E	8.00 in (203 mm)
C	4.31 in (109 mm)		

**Compact Enclosure**

A	6.25 in (158 mm)	D	5.25 in (133 mm)
B	9.25 in (234 mm)	E	8.50 in (215 mm)
C	2.00 in (50 mm)		

**Panel Mount**

A	5.88 in (149 mm)	D	5.12 in (130 mm)
B	7.88 in (200 mm)	E	7.12 in (180 mm)
C	2.00 in (50 mm)		





# RD-232

0.8-inch LED Remote Display

## Part Number/Price

Part #	Description	Est. Weight	Price
<b>Red LED</b>			
<b>32716</b>	RD-232, 115 VAC/12 VDC, FRP enclosure, red LED	5 lb	\$1,000.00
<b>68786</b>	RD-232, 115 VAC/12 VDC, compact stainless steel wall mount enclosure, red LED	5 lb	\$1,000.00
<b>32717</b>	RD-232, 115 VAC/12 VDC, NEMA Type 4X stainless steel wall mount enclosure, red LED	8 lb	\$1,250.00
<b>32727</b>	RD-232, 115 VAC/12 VDC, panel mount, red LED	3 lb	\$950.00
<b>34748</b>	RD-232, 230 VAC/12 VDC, no power cord, FRP enclosure, red LED	5 lb	\$1,100.00
<b>Green LED</b>			
<b>178168</b>	RD-232, 117 VAC/12 VDC, FRP enclosure, green LED	5 lb	\$1,000.00
<b>178169</b>	RD-232, 117 VAC/12 VDC, compact stainless steel wall mount enclosure, green LED	5 lb	\$1,000.00
<b>178170</b>	RD-232, 117 VAC/12 VDC, NEMA Type 4X stainless steel wall mount enclosure, green LED	8 lb	\$1,250.00
<b>178171</b>	RD-232, 220 VAC/12 VDC, FRP enclosure, no power cord, green LED	5 lb	\$1,100.00

*Specify interfacing indicator when ordering a remote display*

## Options/Accessories

Part #	Description	Price
<b>33210</b>	Additional operating manual (RD-232/RD-300)	\$23.00

# RD-300

1.0-inch LCD Remote Display



RD-300 NEMA Type 4X FRP Enclosure



RD-300 Compact Stainless Enclosure



RD-300 NEMA Type 4X Stainless Steel Enclosure

## Specifications

**Display:**

6-digit, 7-segment, 0.8 in (20.32 mm)  
Light Emitting Diode (LED)

**Status Annunciators:**

lb, kg, gross, net

**Operating Voltage:**

115 VAC, 230 VAC available  
DC Voltage Range: 6.2-18 VDC

**Input Interface:**

RS-232, 20 mA active or passive current loop  
ASCII compatible

**Baud Rate:**

Selectable: 300, 600, 1200, 2400, 4800,  
9600, 19200

**Operating Temperature:**

-13°F to 104°F (-25°C to 40°C)

**Rating/Material:**

NEMA Type 4X FRP or optional stainless steel

**Weight:**

Approximately 5 lb (2.3 kg)  
Stainless steel unit,  
approximately 8 lb (3.6 kg)

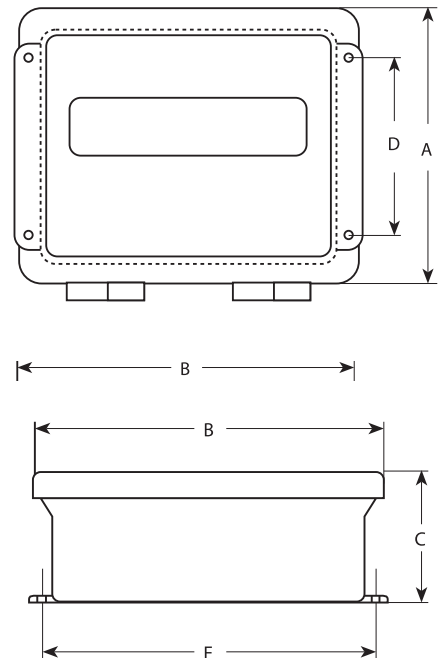
**Warranty:**

One-year limited warranty

## Standard Features

- NEMA Type 4X Fiberglass Reinforced Polyester (FRP) wall mount enclosure
- Optional NEMA Type 4X stainless steel wall mount enclosure
- Easy-to-read 1 in (25.4 mm) Liquid Crystal Display (LCD)
- RS-232 and 20 mA active current loop interface
- Status annunciators
- AC operation
- Backlight for dark conditions
- Compatible with a variety of digital weight indicators; intuitive data receiver automatically interprets serial strings
- 115 VAC and 230 VAC available

Dimensions			
<b>FRP Enclosure</b>			
A	8.00 in (203 mm)	D	4.00 in (101 mm)
B	9.50 in (241 mm)	E	8.75 in (222 mm)
C	6.00 in (133 mm)		
<b>Stainless Steel Enclosure</b>			
A	8.00 in (203 mm)	D	8.63 in (219 mm)
B	10.00 in (254 mm)	E	8.00 in (203 mm)
C	4.31 in (109 mm)		
<b>Compact Enclosure</b>			
A	6.25 in (158 mm)	D	5.25 in (133 mm)
B	9.25 in (234 mm)	E	8.50 in (215 mm)
C	2.00 in (50 mm)		
<b>Panel Mount</b>			
A	5.88 in (149 mm)	D	5.12 in (130 mm)
B	7.88 in (200 mm)	E	7.12 in (180 mm)
C	2.00 in (50 mm)		



# RD-300

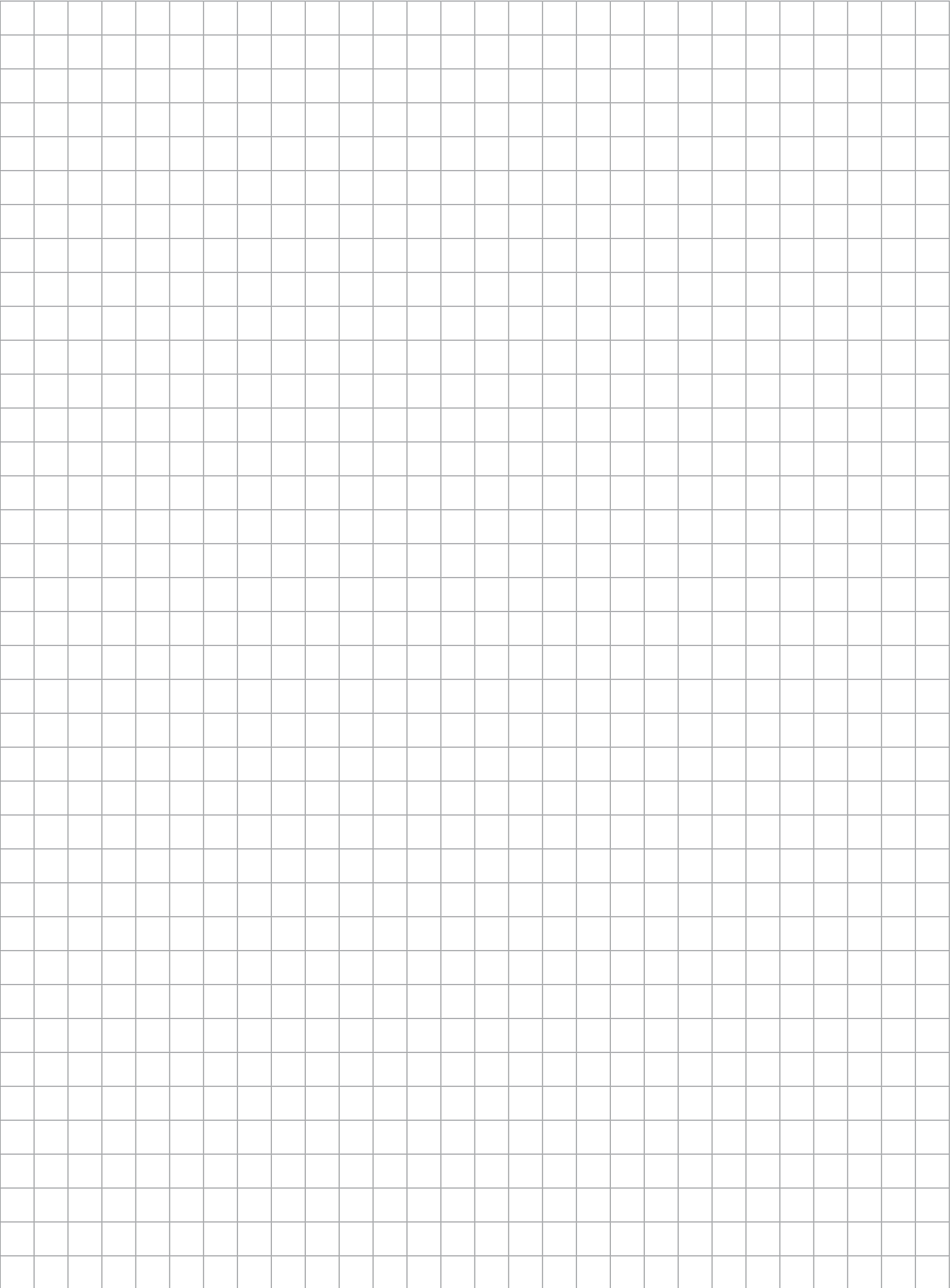
1.0-inch LCD Remote Display

## Part Number/Price

Part #	Description	Est. Weight	Price
68782	RD-300 AC, compact stainless steel enclosure with backlight	5 lb	\$1,025.00
22532	RD-300 AC, FRP enclosure with backlight	5 lb	\$1,025.00
22536	RD-300 AC, NEMA Type 4X stainless steel enclosure with backlight	8 lb	\$1,275.00
22540	RD-300 AC, panel mount with backlight	3 lb	\$950.00
34750	RD-300 AC, 230 VAC, FRP enclosure with backlight	5 lb	\$1,125.00

## Options/Accessories

Part #	Description	Price
33210	Additional operating manual (RD-300/RD-232)	\$23.00

A large grid of empty cells, intended for use as a scoreboard or remote display. The grid consists of 20 columns and 30 rows of squares.