

# Mettler Toledo® DigiTOL® Retrofit Kit

Stainless Steel, Rice Lake Weighing Systems/Flintec

LOAD CELLS /  
WEIGH MODULES

## RC1 Load Cells



Shown here with the JB8SP signal trim junction box.  
Picture is a representation of actual product.

## Load Cell Approvals



## DigiTOL Retrofit Order information

Description	Part #	Price
8 mount kit, RC1-25 t (250kN) load cells, JB8SP junction box	<b>78713</b>	Consult
8 mount kit, RC1-25 t (250 kN) load cells, JB8SPT junction box	<b>224897</b>	Consult
10 mount kit, RC1-25 t (250 kN) load cells, two JB8SP junction boxes	<b>78714</b>	Consult
10 mount kit RC1-25 t (250 kN) load cells, two JB8SPT junction boxes	<b>224898</b>	Consult
12 mount kit, RC1-25 t (250kN) load cells, three JB8SP junction boxes	<b>152774</b>	Consult
12 mount kit RC1-25 t (250 kN) load cells, two JB8SPT junction boxes	<b>224899</b>	Consult

## Complete Kit Includes

- Eight, ten or twelve Flintec® NTEP Certified stainless steel, hermetically sealed rocker column load cells
- Upper and lower cups
- NEMA Type 4X signal trim junction boxes with transient protection
- 100 ft of hostile environment EL147HE SURVIVOR® load cell cable
- Grounding straps (JB8SPT kits only)

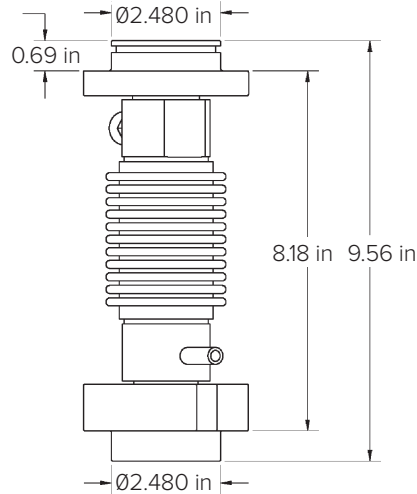
## Standard Features

- Load cells are NTEP Certified 1:10,000 divisions, Class III\*
- Converts existing Mettler Toledo DigiTOL scale to an analog-based load cell weighing system
- One-year limited warranty

\*Consult your local Weights & Measures Authorities for local Legal for Trade requirements

## Applications

- Mettler Toledo DigiTOL truck scale conversion



RC1-25 t

# Mettler Toledo® DigiTOL® Retrofit Kit

Stainless Steel, Rice Lake Weighing Systems/Flintec

LOAD CELLS /  
WEIGH MODULES

## RC3 Load Cells



Shown here with the JB8SP signal trim junction box  
Picture is a representation of actual product

### Load Cell Approvals



### DigiTOL Retrofit Order information

Description	Part #	Price
8 mount kit RC3-50 t load cells, two EL304A junction boxes (truck/truck combo)	<b>129844</b>	Consult
8 mount kit RC3-50 t load cells, two EL304A junction boxes (truck only)	<b>154347</b>	Consult
8 mount kit RC3-50 t load cells, one JB8SPT junction boxes (truck/truck combo)	<b>224900</b>	Consult
8 mount kit RC3-50 t load cells, one JB8SPT junction boxes (truck only)	<b>224901</b>	Consult
10 mount kit RC3-50 t load cells, two JB8SPT junction boxes (truck/truck combo)	<b>111367</b>	Consult
10 mount kit RC3-50 t load cells, three EL304A junction boxes (truck only)	<b>154348</b>	Consult
10 mount kit RC3-50 t load cells, two JB8SPT junction boxes (truck/truck combo)	<b>224902</b>	Consult
10 mount kit RC3-50 t load cells, two JB8SPT junction boxes (truck only)	<b>224903</b>	Consult
12 mount kit RC3-50 t load cells, three EL304A junction boxes (truck only)	<b>154349</b>	Consult
12 mount kit RC3-50 t load cells, two JB8SPT junction boxes (truck only)	<b>224904</b>	Consult

### Complete Kit Includes

- Eight, ten or twelve Flintec® NTEP Certified stainless steel, hermetically sealed rocker column load cells
- Upper and lower cups
- NEMA Type 4X signal trim junction boxes with transient protection
- 100 ft of hostile environment EL147HE SURVIVOR® load cell cable
- Grounding straps (JB8SPT kits only)

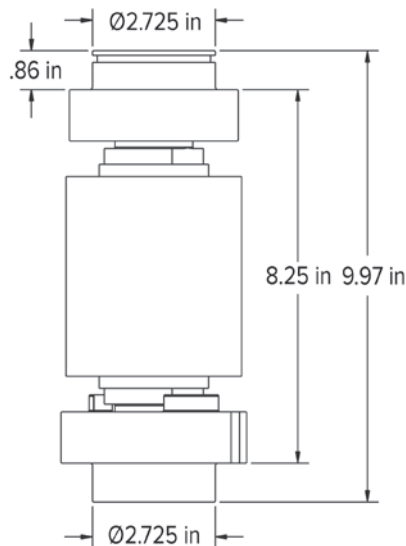
### Standard Features

- Load cells are NTEP Certified 1:10,000 divisions, Class IIII\*
- Converts existing Mettler Toledo DigiTOL scale to an analog-based load cell weighing system
- One-year limited warranty

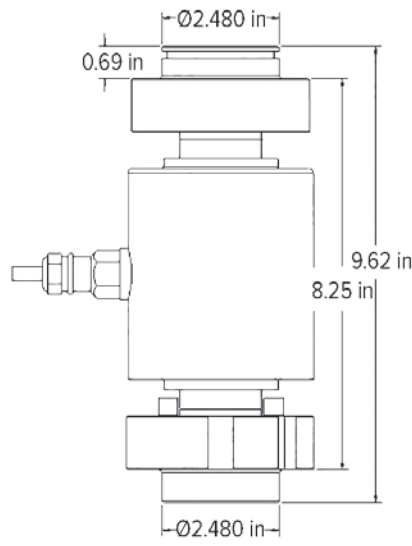
\*Consult your local Weights & Measures Authorities for local Legal for Trade requirements

### Applications

- Mettler Toledo DigiTOL truck scale conversion



RC3-50 t  
TRACK



RC3-50 t  
TRUCK