

LaserLT RD-1550



Part Number/Price



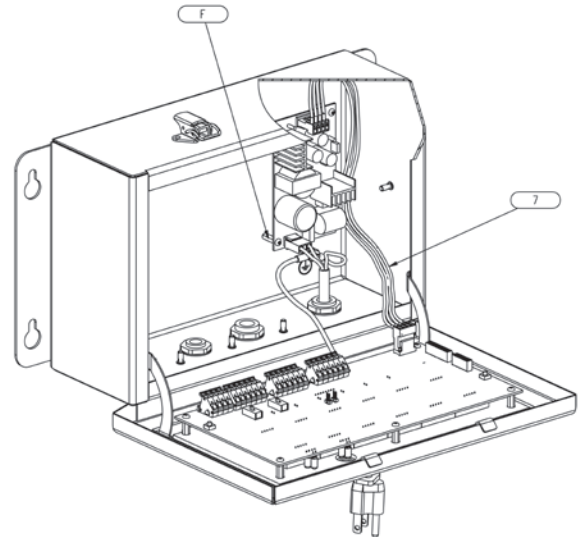
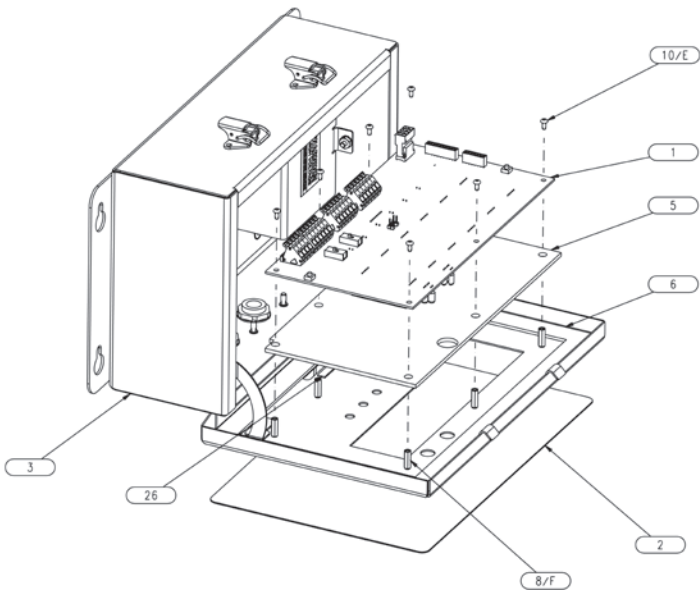
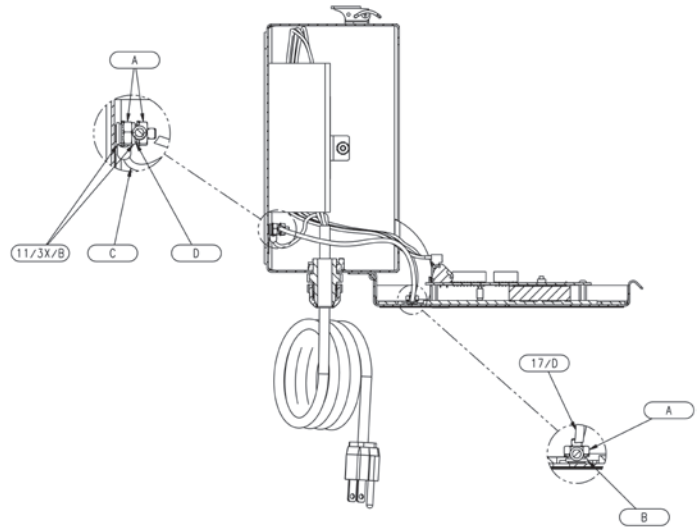
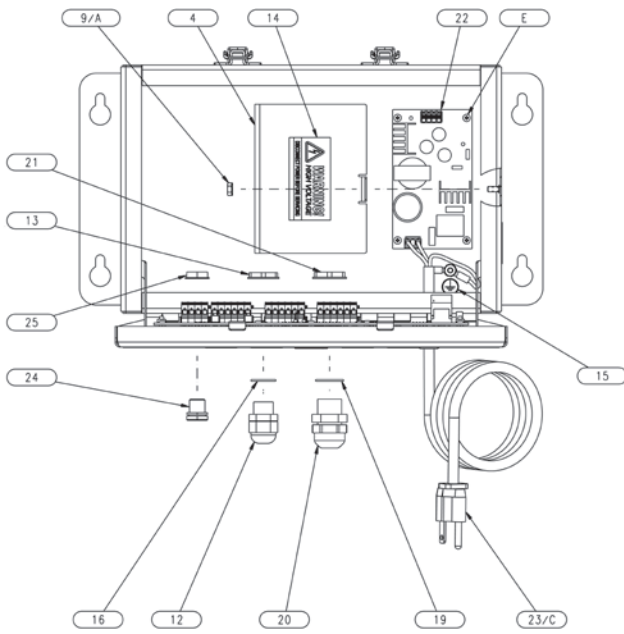
Ref#	Part#	Description	Price
1	110384	Board assembly, LED remote	Consult
2	111848	Overlay, membrane switch	Consult
3	113535	Enclosure, LaserLT RD1550	Consult
4	113542	Cover, power supply	Consult
5	113769	Lens, display front red	Consult
6	114019	Gasket, enclosure LaserLT	Consult
7	114433	Cable assembly, power supply	Consult
8/F	114549	Standoff, FEM-FEM 4-40NC	Consult
	115525	Parts kit, LaserLT	Consult
Components of Part #115525			
	15133	Washer, lock no. 8 type A	Consult
	15631	Cable tie, 3 in nylon	Consult
	16159	Bag, plastic Ziploc 3 x 5	Consult
	19538	Post only, slotted black	Consult
	53075	Clamp, ground cable shield	Consult
9/A	14626	Nut, kep 8-32 NC hex	Consult
10/E	14825	Screw, MACH 4-40NC x 1/4	Consult
11/B	15134	Washer, lock no 8 type A	Consult
12	15626	Cable, grip black PG9	Consult
13	15627	Locknut, black PCN9	Consult
14	16861	Label, warning high voltage	Consult
16	30375	Seal ring, nylon PG9	Consult
17/D	40672	Wire assembly ground 9in	Consult
19	68599	Seal ring, nylon PG11	Consult
20	68600	Cord grip, PG11	Consult
21	68601	Nut, PG11	Consult
22	76556	Power supply, 85-265VAC	Consult
22	97475	Power supply, DC/DC 9-36VDC	Consult
23/C	85202	Power cord assembly, 120VAC	Consult
	15888	Terminal block, 3 position for DC unit	Consult
24	88733	Vent, breather sealed	Consult
25	88734	Nut, breather vent	Consult
	85791	Fuse 2.5 amp, 5 x 20	Consult
	114035	Operating manual LaserLT	Consult
	112262	ReFlash cable	Consult

(See Diagram Laser LT-A)

Remote Displays

REMOTE DISPLAYS
LaserLT RD-1550

Remote Displays



LaserLT-A