

17-INCH-WIDE
SEAT

550-10-1

DIGITAL CHAIR SCALE

The Rice Lake 550-10-1 digital chair scale is designed for patients who find it difficult to, or cannot, stand. The molded plastic seat is easy to clean, comfortable and safe up to 660 pounds. Swing-up arms enable easy access from either side, and a flip-up footrest can be used for additional patient comfort. A large push-button display lights up for easy viewing and an audible beep sounds at the end of each weigh cycle.

FEATURES

- Enameled tubular steel frame
- Four heavy-duty locking caster wheels
- Swing-up arms
- Flip-up footrest
- Large 1-inch LCD display
- Unit of measure toggle or locking
- Motiontrap™ movement compensation technology
- EMR capable
- Serial and USB data communication ports
- Bluetooth® BLE 4.0 available, part number selectable
- Tare function
- Hold function
- BMI (body mass index) function
- Factory calibrated

SPECIFICATIONS

Capacity:

660 × 0.2 lb (300 × 0.1 kg)

Power:

9 VDC provided by six AA alkaline batteries (included) or 120 V/230 VAC adapter (optional)

Battery Type:

Six AA alkaline (included)

Battery Use:

25 hours continuous use with batteries
Automatic power-off can be configured

Display:

5-digit LCD display, 0.75 in (1.9 cm) digit height

Operating Temperature:

50 °F to 104 °F (10 °C to 40 °C)

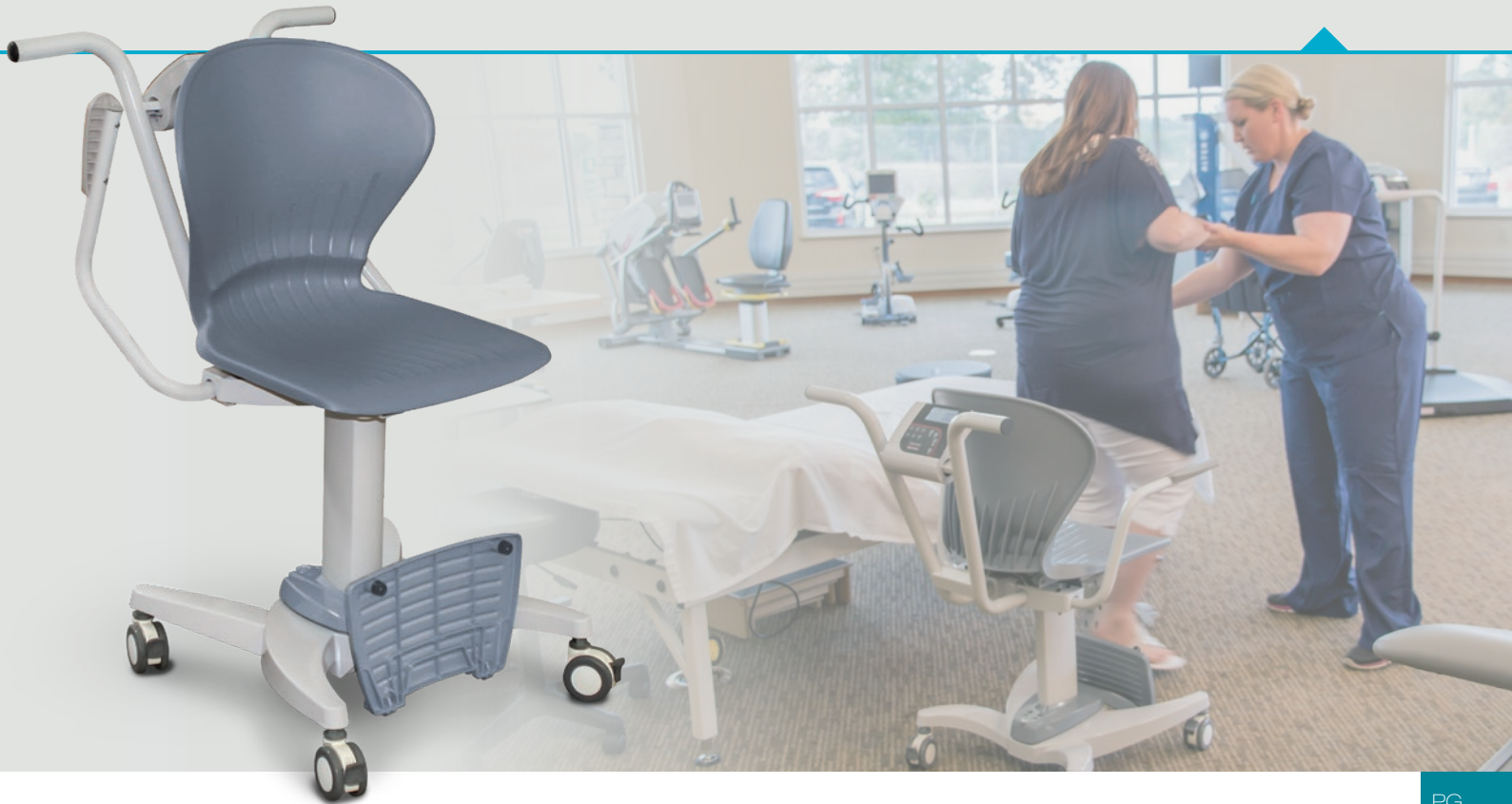
Approvals:

c-Met, E113986

Warranty:

Two-year limited





DIGITAL CHAIR SCALE

MODEL	CAPACITY	COMMUNICATION	PART #
550-10-1	660 × 0.2lb (300 × 0.1 kg)	USB	119114
550-10-1BLE	660 × 0.2lb (300 × 0.1 kg)	Bluetooth® BLE 4.0	194740

OPTIONS

DESCRIPTION	PART #
9 VDC adapter, 120 V/230 V auto switching c-MET* <i>Medical grade power supply</i>	115655
9 VDC adapter, 120 V/230 V auto switching*	133077
9 VDC adapter, 230 V**	102508
Epson TM-U220 tape printer	81076
Cable, RS232 scale to printer, 6 ft, 25-pin D-Sub (male) to RJ45	186830
Cable, USB 6 ft USB-A (male) to USB-B (male)	79074
Cable, Communication DB9 (female) to RJ45 (male), 4 conductor	217091

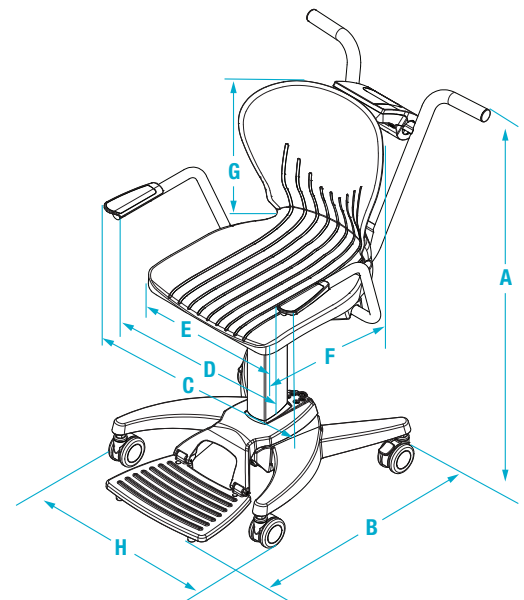
*NEMA 1-15 Plug  **CEE 7/16 Plug 

SHIPPING WEIGHT

MODEL #	PART #	L (IN)	W (IN)	H (IN)	PACKAGE WGT. (LB)	DIM WGT. (LB)	SHIPPING WGT. (LB)
550-10-1	119114	29	27	29	54	164	164
550-10-1BLE	194740	29	27	29	54	164	164

DIMENSIONS

	INCHES	CENTIMETERS		INCHES	CENTIMETERS
A	37.4	95.0	E	17.0	43.2
B	33.4	85.0	F	16.0	40.6
C	25.2	64.0	G	17.0	43.2
D	21.0	53.3	H	20.5	52.0



An ISO 9001 Registered Company ©2024 Rice Lake Weighing Systems 03/24
Specifications subject to change without notice. Visit ricelake.com

