

# Vehicle Scales

---

## TABLE OF CONTENTS

<b>Vehicle Scales</b> .....	<b>933</b>
<b>SURVIVOR® Truck and Rail Scales</b> .....	<b>934</b>
<b>RailBoss®</b> .....	<b>935</b>
<i>Rail Scale</i>	
<b>RoughDeck® AX</b> .....	<b>938</b>
<i>Tandem Axle Scale</i>	
<b>AX3040</b> .....	<b>939</b>
<i>Tandem Axle Scale</i>	
<b>RoughDeck® AX-1</b> .....	<b>940</b>
<i>Axle Scale</i>	
<b>Load Ranger</b> .....	<b>942</b>
<i>Wireless Wheel Pad Scale</i>	
<b>Load Ranger Cart</b> .....	<b>944</b>
<i>Transport Cart</i>	

The following product names, logos, brands and other trademarks featured or referred to within this publication are the property of their respective trademark holders.

# SURVIVOR® Truck and Rail Scales

For more information on Rice Lake's full line of SURVIVOR® truck and rail scales, please visit our website at [www.ricelake.com](http://www.ricelake.com) or call 800-472-6703 and ask to speak with a heavy capacity team member.



## Truck Scales:

[www.ricelake.com/survivor](http://www.ricelake.com/survivor)

### SURVIVOR OTR

Heavy-duty, top access, concrete or steel deck scales

### SURVIVOR OTR-LP

Heavy-duty, steel deck, low-profile scale for existing foundations

### SURVIVOR OTR-XV

Extreme-duty, top access, concrete or steel deck scales

### SURVIVOR ATV

Heavy- or extreme-duty, top access portable steel deck scales

### SURVIVOR SR

Heavy-duty, low-profile, concrete or steel deck siderail scales

### SURVIVOR PT

Heavy-duty, pit-type, concrete or steel deck scales

### SURVIVOR Multi-Platform

Weigh In-motion OTR concrete or steel deck scales

### SURVIVOR ATV-M

Portable, self-contained levertronic, steel deck scales

### SURVIVOR PT-M

Pit-type, levertronic, concrete deck scales

## Rail Scales:

[www.ricelake.com/railscales](http://www.ricelake.com/railscales)

### SURVIVOR RT

Pit-type, rail/truck combination scales

### SURVIVOR PL

Low-profile, pitless scales

### RailBoss®

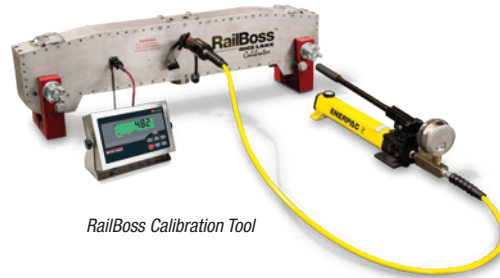
Full- or double-draft rail scales

VEHICLE SCALES

**Refurbishment Program Available**  
for existing RailBoss scales



\* Non-Legal for Trade



RailBoss Calibration Tool

Approvals



Part Number/Price

Part #	Description	Est. Weight	Price
<b>Kits</b>			
164748	RailBoss assembly kit, full draft, 90 RA rail V2	2,280 lb	\$40,900.00
164749	RailBoss assembly kit, double draft, 90 RA rail V2	1,150 lb	\$20,400.00
193391	RailBoss assembly kit, full draft, 100 ARAA	2,500 lb	\$41,100.00
193390	RailBoss assembly kit, double draft, 100 ARAA	1,100 lb	\$20,500.00
215172	RailBoss assembly kit, full draft, 100 ARAA	2,300 lb	\$46,000.00
188023	RailBoss assembly kit, double draft, 100 AREA	1,100 lb	\$21,500.00
162515	RailBoss assembly kit, full draft, 115 RE rail V2	2,550 lb	\$41,100.00
162516	RailBoss assembly kit, double draft, 115 RE rail V2	1,275 lb	\$20,500.00
164752	RailBoss assembly kit, full draft, 132 RE rail V2	2,800 lb	\$41,500.00
164753	RailBoss assembly kit, double draft, 13 2RE rail V2	1,400 lb	\$20,800.00
194678	RailBoss assembly kit, full draft, 133 AREA	2,900 lb	\$41,500.00
194679	RailBoss assembly kit, double draft, 133 AREA	1,450 lb	\$20,800.00
169763	RailBoss assembly kit, full draft, 136 AREA	3,000 lb	\$43,600.00
169762	RailBoss assembly kit, double draft, 136 AREA	1,500 lb	\$21,900.00
<b>Single Rail Gauge Assemblies</b>			
164750	RailBoss 90 lb gauge assembly V2 (does not include cable)	290 lb	\$5,400.00
193389	RailBoss 100 ARAA gauge assembly V2 (does not include cable)	300 lb	\$5,400.00
188013	RailBoss 100 ARAA gauge assembly V2 (does not include cable)	320 lb	\$5,400.00
162517	RailBoss 115 lb gauge assembly V2 (does not include cable)	320 lb	\$5,400.00
164754	RailBoss 132 lb gauge assembly V2 (does not include cable)	350 lb	\$5,400.00
194677	RailBoss 133 AREA gauge assembly V2 (does not include cable)	370 lb	\$5,400.00
169761	RailBoss 136 AREA gauge assembly V2 (does not include cable)	390 lb	\$5,400.00

NOTE: Instrumentation with RailBoss software must be ordered separately and is not included with the RailBoss assembly kit

**Standard Features**

- Full-draft or double-draft
- 80,000 lb axle capacity
- 320,000 lb full scale capacity
- 40,000 lb rail section capacity
- 90 RA, 100 ARA-A, 115 RE, 132 RE, 133 RE or 136 RE rail sections
- 5 ft 10 in rail sections, pre-drilled for joint bars
- Quick-disconnect cable connection with MS style connector

**Full-draft Package Includes**

- Eight 5 ft 10 in rail sections
- 30 ft of connecting cable per rail section
- Pre-drilled joint bars with connection hardware
- Two Rice Lake junction boxes with transient protection
- 30 ft of homerun cable

**Double-draft Package Includes**

- Four 5 ft 10 in rail sections
- 30 ft of connecting cable per rail section
- Pre-drilled joint bars with connection hardware
- One Rice Lake junction box with transient protection
- 30 ft of homerun cable

**Optional Features**

- Custom rail sizes are available
- 1280 Enterprise™ Series indicator with RailBoss software for full-draft or double-draft applications\*
- 920j® indicator with RailBoss software for full-draft or double-draft applications\*
- Custom cable lengths

\*Non-Legal for Trade

**Calibration Unit**

**Standard Features**

- 482 Legend® Series indicator
- Attachment hardware for 90 RA, 115RE and 132RE rail

**Specifications**

**Load Cells:**

40,000 lb

**Accuracy:**

± 0.25% error typical, interchangeable with other gauged rail products

**Full Scale Output:**

0.8 mV/V ± 0.2%

**Input Resistance:**

765 ± 5 ohm

**Output Resistance:**

700 ± 5 ohm

**Full Scale Capacity:**

320,000 lb

**Axle Capacity:**

80,000 lb

**Warranty:**

Two-year limited

**Intrinsic Safety:**

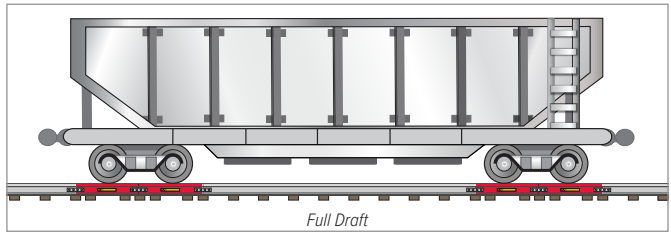
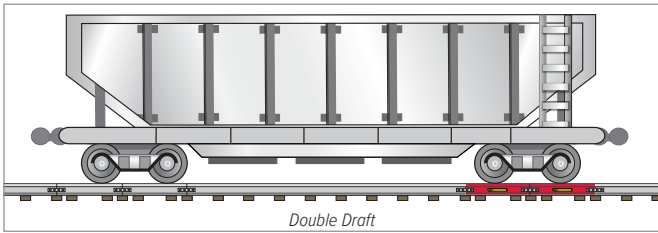
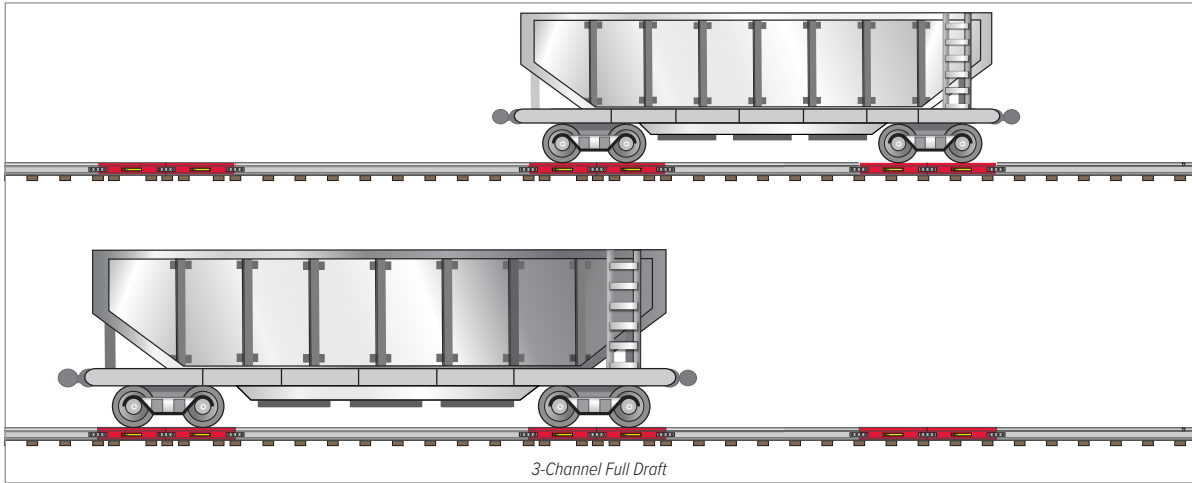
cFMus  
Class I, II, III, Division 1, Groups ABCDEFG  
T4

VEHICLE SCALES

## Part Number/Price

Part #	Description	Est. Weight	Price
<b>Instrumentation</b>			
190949	Single-channel 1280 indicator double draft with RailBoss software	11 lb	\$3,850.00
190951	Dual-channel 1280 indicator full draft with RailBoss software	11 lb	\$4,050.00
190952	Three-channel 1280 indicator full draft with RailBoss software	11 lb	\$4,525.00
<b>Hardware</b>			
126391	90 RA 24 in short toe joint bar set, 4 sets required (2 bars with bolts and nuts)	40 lb	\$1,350.00
129620	100 RE short toe joint bar set, 4 sets required (2 bars with bolts and nuts)	58 lb	\$1,225.00
193468	100 ARAA short tow joint bar set, 4 sets required (2 bars with bolts and nuts)	45 lb	\$1,225.00
126389	115 RE 24 in short toe joint bar set, 4 sets required (2 bars with bolts and nuts)	50 lb	\$1,050.00
126390	132 RE 24 in short toe joint bar set, 4 sets required (2 bars with bolts and nuts)	60 lb	\$1,225.00
194674	133 ARAA short tow joint bar set, 4 sets required (2 bars with bolts and nuts)	70 lb	\$1,225.00
126390	136 ARAA short tow joint bar set, 4 sets required (2 bars with bolts and nuts)	80 lb	\$1,225.00
126111	90 RA isolation joint bar set, 4 sets required (2 bars with bolts and nuts)	40 lb	\$1,225.00
112702	115 RE isolation joint bar set, 4 sets required (2 bars with bolts and nuts)	50 lb	\$1,225.00
119771	132 RE isolation joint bar set, 4 sets required (2 bars with bolts and nuts)	60 lb	\$1,225.00
194673	133 ARAA isolation joint bar set, 4 sets required (2 bars with bolts and nuts)	70 lb	\$1,225.00
194344	136 ARAA isolation joint bar set, 4 sets required (2 bars with bolts and nuts)	80 lb	\$1,225.00
198086	100 RA isolation joint bar set, 4 sets required (2 bars with bolts and nuts)	-	\$1,225.00
163004	30 ft interface cable	-	\$625.00
164873	60 ft interface cable	-	\$775.00
164874	100 ft interface cable	-	\$1,050.00
188909	Adapter cable from AWT Weighline to Rice Lake RailBoss	-	\$650.00
<b>Calibration Equipment</b>			
115564	RailBoss calibration/test unit	300 lb	\$12,900.00
119068	RailBoss calibration/test unit rental (one week)	300 lb	\$800.00
208171	Coupler, flush face, no drip for Enerpac FR400 pump	-	\$425.00

NOTE: Instrumentation with RailBoss software must be ordered separately and is not included with the RailBoss assembly kit.



**VEHICLE SCALES**

02:41 PM 10/15/2024

**FULL DRAFT** Change Rail Car

Scale 1      Scale 2

5000 lb      7500 lb

Press Capture Button

12500 lb Gross  
0 lb Tare  
12500 lb Net

Capture  
Return to Weigh Screen

Full-draft RailBoss software display with a 1280 indicator

10/15/2024 11:32AM SCALE #1

Scale #1      Scale #2

100050      97000

---

Rail Truck #1: 100050 lb      197050 lb Gross

Rail Truck #2: 97000 lb      98000 lb Tare

   99050 lb Net

Ticket Printed - Exit Scale

Double Draft      Reprint

Double-draft RailBoss software display with a 920i indicator

# RoughDeck® AX

Tandem Axle Scale



## Standard Features

- System includes two platforms with anchor brackets and four on/off ramps with anchor tabs (anchor bolts not included)

### Scale

- (L x W x H) 84 x 32 x 6 in
- Axle capacity, tandem platforms: 60,000 lb (two scales 30,000 lb each)
- Includes two 3/4-10 NC eye bolts for lifting scale during installation
- Contains four environmentally sealed, IP67 20,000 lb single-ended shear beam load cells per platform
- Treaded top plate with side access junction box
- JB4SS TuffSeal® signal trim junction box
- Top access foot adjustment holes
- Carbon steel captured ball feet
- 20 ft SURVIVOR® EL147HE cable
- Non-Legal for Trade

### Ramps

- (L x W x H) 60 x 32 x 6 in
- Treaded top plate

## Specifications

### End Loading Capacity:

133% full scale at 30,000 lb

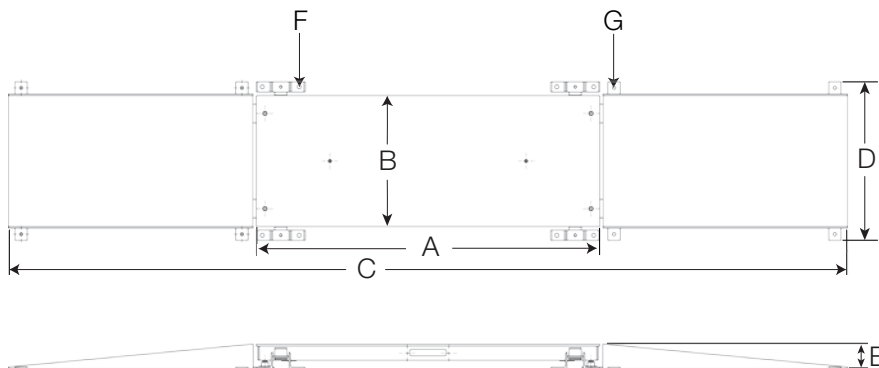
### Warranty:

Load cells: Two-year

All other components: One-year limited

## Part Number/Price

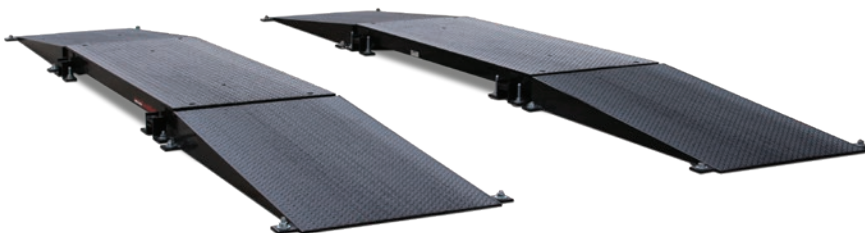
Part #	Description	Dimensions (L x W x H)	Est. Weight	Price
107637	60,000 lb (30,000 lb each)	84 x 32 x 6 in	3,600 lb	\$17,495.00



## Dimensions

RoughDeck AX	
A	84.00 in
B	32.00 in
C	205.50 in
D	38.75 in
E	6.00 in
F	1.00 in
G	0.75 in

Note: 1 in = 25.4 mm



VEHICLE SCALES



## Standard Features

### Scales

- Sizes: 7 ft, 12 ft and 14 ft lengths
- Steel or aluminum construction
- Axle capacity, tandem platforms: 60,000 or 80,000 lb (30,000 or 40,000 lb each)
- Includes four 5/8-11 NC eye bolts for lifting scale during installation
- Contains two load cells per platform
- Treaded top plate with four lifting eyes
- JB4SS TuffSeal® signal trim junction box
- 10 ft EL146HE Interconnect cable with MS-type connectors to go between weigh pads
- 50 ft EL147HE cable to connect weigh pad to indicator
- Non-Legal for Trade

### Ramps

- (L x W) 7 ft and 12 ft scales: 5.63 x 32.00 in, 14 ft scale: 5.75 x 32.00 in
- Steel or aluminum
- Anchor bolts not included

## Specifications

### Construction:

Steel or aluminum

### Accuracy:

±3%

### End Loading Capacity:

133% full scale at 30,000 lb  
100% full scale at 40,000 lb

### Warranty:

One-year limited

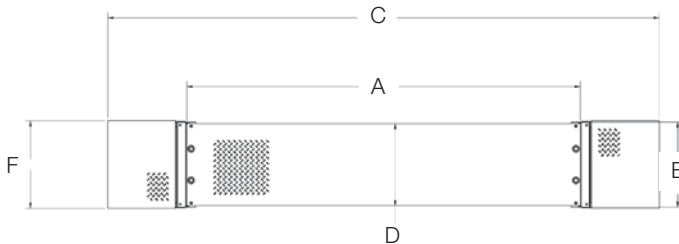
## Dimensions

AX3040			
7 ft steel			
A	83.60 in	E	31.00 in
B	90.90 in	F	32.00 in
C	141.25 in	G	5.63 in
D	30.00 in		
12 ft steel			
A	143.60 in	E	31.00 in
B	150.90 in	F	32.00 in
C	201.2 in	G	5.63 in
D	30.00 in		
14 ft steel			
A	167.60 in	E	31.00 in
B	174.90 in	F	32.00 in
C	225.25 in	G	5.75 in
D	30.00 in		
7 ft aluminum			
A	83.60 in	E	31.00 in
B	90.90 in	F	32.00 in
C	141.25 in	G	5.63 in
D	30.00 in		

Note: 1 in = 25.4 mm

## Part Number/Price

Part #	Description	Dimensions (L x W x H)	Est. Weight	Price
<b>Steel Construction - Painted Black 2 Scales with Connecting Cables and 4 Ramps</b>				
112330	60,000 lb (30,000 lb each)	7 ft x 2.5 ft x 5.63 in	2,500 lb	\$15,595.00
111748	80,000 lb (40,000 lb each)	12 ft x 2.5 ft x 5.63 in	4,400 lb	\$18,450.00
112328	80,000 lb (40,000 lb each)	14 ft x 2.5 ft x 5.75 in	5,200 lb	\$24,495.00
<b>Steel Construction - Painted Black 2 Scales with Connecting Cables, Without Ramps</b>				
204097	60,000 lb (30,000 lb each)	7 ft x 2.5 ft x 5.63 in	2,500 lb	\$13,095.00
204099	80,000 lb (40,000 lb each)	12 ft x 2.5 ft x 5.63 in	4,400 lb	\$15,950.00
204100	80,000 lb (40,000 lb each)	14 ft x 2.5 ft x 5.75 in	5,200 lb	\$21,995.00
<b>Aluminum Construction - Glass Beaded 2 Scales with Connecting Cables and 4 Ramps</b>				
112329	60,000 lb (30,000 lb each)	7 ft x 2.5 ft x 5.63 in	1,250 lb	\$18,375.00
<b>Aluminum Construction - Glass Beaded with Connecting Cables, Without Ramps</b>				
204101	60,000 lb (30,000 lb each)	7 ft x 2.5 ft x 5.63 in	1,250 lb	\$15,395.00
<b>Ramps with Hardware (Qty. 2)</b>				
204102	(2) Ramps steel construction - painted black with hardware			\$1,265.00
204103	(2) Ramps aluminum construction - glass beaded with hardware			\$1,495.00



# RoughDeck® AX-1

Axle Scale



## Standard Features

- Sizes: 7.5 ft, 9.5 ft or 11.5 ft lengths
- Capacity: 50,000 lb
- Includes two 1-8 NC eye bolts
- Contains four environmentally sealed, IP67, 20,000 lb single-ended load cells
- Treaded top plate
- JB4SS TuffSeal® signal trim top access junction box
- Top access foot adjustment holes
- Carbon steel captured ball feet
- 20 ft SURVIVOR® EL147HE cable
- Non-Legal for Trade

## Options:

- Ramps: 10 × 4 ft, treaded top plate
- Scale frame

## Specifications

### End Loading Capacity:

80% full scale at 50,000 lb

### Warranty:

Load cells: Two-year  
All other components:  
One-year limited

## Part Number/Price

Part #	Dimensions (L × W × H)	Capacity	Est. Weight	Price
<b>Scale only</b>				
169649	7.5 ft × 9.6 ft × 6.0 in	50,000 lb	3,350 lb	\$17,375.00
169650	9.5 ft × 9.6 ft × 6.0 in	50,000 lb	4,150 lb	\$19,575.00
169651	11.5 ft × 9.6 ft × 6.0 in	50,000 lb	5,500 lb	\$21,735.00
<b>Scale, bundled with scale frame</b>				
169645	8.0 ft × 10.1 ft × 6.75 in	50,000 lb	4,350 lb	\$19,995.00
169647	10.0 ft × 10.1 ft × 6.75 in	50,000 lb	5,400 lb	\$22,675.00
169648	12.0 ft × 10.1 ft × 6.75 in	50,000 lb	7,000 lb	\$26,895.00

## Options/Accessories

Part #	Dimensions (L × W × H)	Est. Weight	Price
<b>Scale frame only</b>			
169652	8.0 ft × 10.1 ft × 6.75 in	1,000 lb	\$3,040.00
169653	10.0 ft × 10.1 ft × 6.75 in	1,250 lb	\$3,535.00
169654	12.0 ft × 10.1 ft × 6.75 in	1,500 lb	\$5,395.00
<b>Ramp, attaches to scale frame</b>			
169655	10 × 4 ft, single ramp	1,600 lb	\$3,545.00
169656	10 × 4 ft, ramp set	3,200 lb	\$7,095.00
<b>Ramp, attaches to scale</b>			
169657 *	10 × 4 ft, single ramp	1,675 lb	\$3,545.00
169658	10 × 4 ft, ramp set	3,350 lb	\$7,095.00

\*Consult factory for quote on riser plate for opposite end of scale.

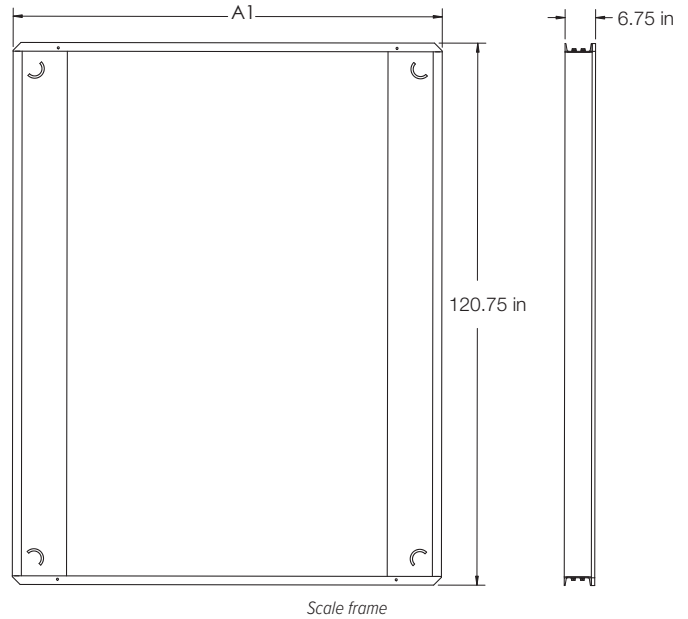
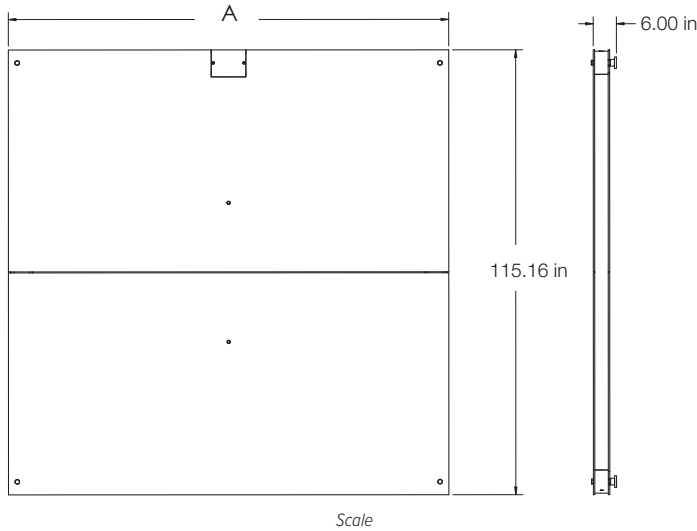


Scale shown with optional ramps

VEHICLE SCALES

# RoughDeck® AX-1

Axle Scale



## Dimensions

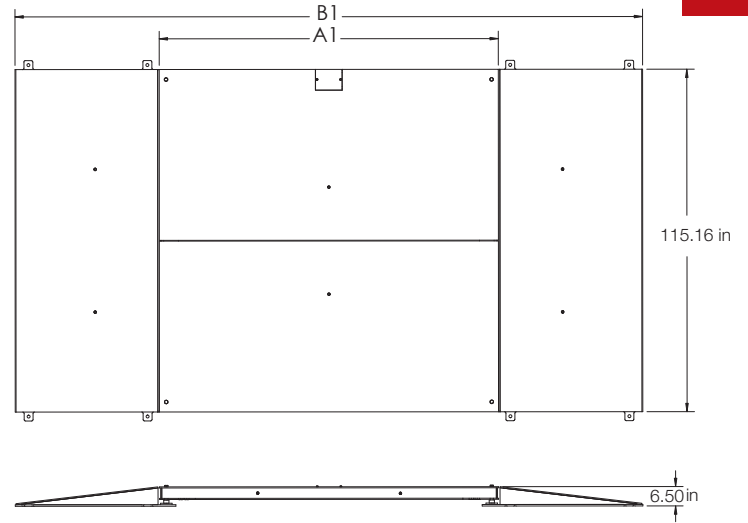
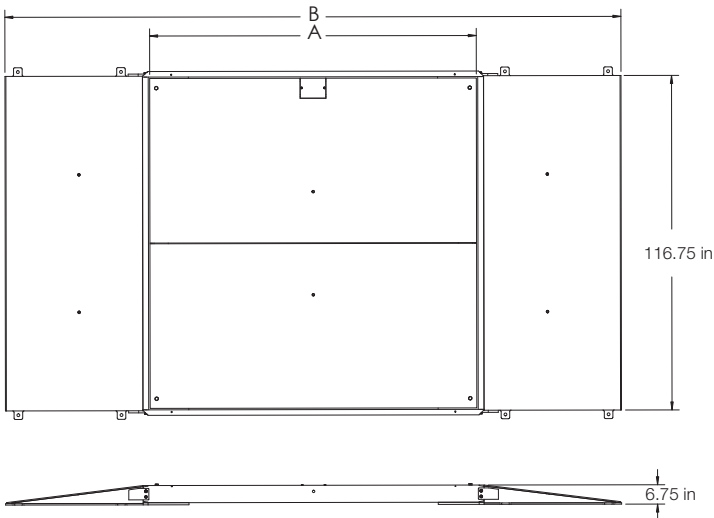
RoughDeck AX-1	
<b>PN 169649</b>	
A	90.00 in
<b>PN 169650</b>	
A	114.00 in
<b>PN 169651</b>	
A	138.00 in

Note: 1 in = 25.4 mm

<b>PN 169652</b>	
A1	95.75 in
<b>PN 169653</b>	
A1	119.75 in
<b>PN 169654</b>	
A1	143.75 in

Note: 1 in = 25.4 mm

VEHICLE SCALES



<b>PN 169645</b>			
A	90.00 in	B	191.75 in
<b>PN 169647</b>			
A	114.00 in	B	215.75 in
<b>PN 169648</b>			
A	138.00 in	B	239.75 in

Note: 1 in = 25.4 mm

<b>PN 169649</b>			
A1	90.00 in	B1	187.00 in
<b>PN 169650</b>			
A1	114.00 in	B1	211.00 in
<b>PN 169651</b>			
A1	138.00 in	B1	235.00 in

Note: 1 in = 25.4 mm

# Load Ranger

Wireless Wheel Pad Scale



## Part Number/Price

Part #	Description	Est. Weight	Price
227314	Remote indicator with integrated printer in carrying case	15 lb	\$2,200.00

Part #	Size (W × L × H), Capacity	Est. Weight	Price
<b>RF-MD 2.4 GHz</b>			
212096	1 ft 10 in × 1 ft 8 in × 2.28 in, 3,300 × 1 lb	40 lb	\$2,295.00
212097	1 ft 10 in × 1 ft 8 in × 2.28 in, 6,600 × 2 lb	40 lb	\$2,295.00
212098	1 ft 10 in × 1 ft 8 in × 2.28 in, 13,200 × 5 lb	40 lb	\$2,295.00
212099	1 ft 10 in × 1 ft 8 in × 2.28 in, 22,000 × 10 lb	40 lb	\$2,495.00
212100	1 ft 10 in × 1 ft 8 in × 2.28 in, 33,000 × 10 lb	40 lb	\$2,495.00
<b>RF-WD 2.4 GHz</b>			
212101	2 ft 6 in × 1 ft 10 in × 2.28 in, 13,200 × 5 lb	65 lb	\$2,875.00
212102	2 ft 6 in × 1 ft 10 in × 2.28 in, 22,000 × 10 lb	65 lb	\$2,875.00
212103	2 ft 6 in × 1 ft 10 in × 2.28 in, 33,000 × 10 lb	65 lb	\$2,875.00
<b>RF-WD 2.4 GHz NTEP</b>			
212835	2 ft 6 in × 1 ft 10 in × 2.28 in, 22,000 × 20 lb (NTEP Class III)	65 lb	\$3,520.00
<b>RF-XWD 2.4 GHz</b>			
212104	3 ft 1 in × 2 ft × 2.28 in, 13,200 × 5 lb	105 lb	\$3,520.00
212105	3 ft 1 in × 2 ft × 2.28 in, 22,000 × 10 lb	105 lb	\$3,520.00
212106	3 ft 1 in × 2 ft × 2.28 in, 33,000 × 10 lb	105 lb	\$3,520.00
212107	3 ft 1 in × 2 ft × 2.28 in, 44,000 × 20 lb	105 lb	\$3,520.00

## Options/Accessories

Part #	Description	Price
181881	Aluminum ramp for Load Ranger MD models (single ramp only)	\$280.00
181882	Aluminum ramp for Load Ranger WD models (single ramp only)	\$310.00
181883	Aluminum ramp for Load Ranger XWD models (single ramp only)	\$340.00
182053	Printer paper roll, 57 mm x 30 m, 12 mm core 51 mm OD	\$3.00
185064	Load Ranger wheel pad charger, 110 VAC version with US plug	\$130.00
192591	Load Ranger Ai-1 remote indicator power adapter, 120-230 VAC version with US plug	\$95.00

Note: Bluetooth models are discontinued, 2.4 GHz models are not compatible with discontinued Bluetooth models without upgrade kits.

## Standard Features

- Up to 16 individual pads communicate wireless to the indicator
- Industrial RF radio module to communicate with optional indicator
- Integrated wheels and nonslip rubber under platform
- Internal rechargeable battery with 40 hours of battery life
- Built-in indicator on each scale with 1 in character display
- IP67 rating
- Cover plate protects built-in indicator

## Optional Remote Indicator with Integrated Printer in Carrying Case

- ABS carrying case: 1 ft × 1 ft 6 in × 7 in
- Backlit graphic display with touchscreen technology
- Internal battery with 10 hours of battery life
- Real-time clock
- Permanent data storage
- Direct thermal receipt printer

## Wheel Weighing Software

- Multi-scale function mode weighs with up to 16 individual pads (eight sets)
- Static axle weighing function, up to two channels
- Calculation of center of gravity
- Semi-automatic and preset tare
- Selection of displayed data on LCD touchscreen
- 1,000 field database
- Print and display list of last 3,500 vehicles

## Options/Accessories

- Leveling modules
- Aluminum ramps
- NTEP Class III (*Select sizes and capacities only, consult factory for more information*)

## Specifications

### Power:

Battery: NIMH, 6VDC, 4.5Ah, rechargeable, approx 40 hours  
Charger: 120 VDC, UL approved wall adapter

### Display:

1 in character display on each scale

### System Accuracy:

0.05% of rated capacity

### Communication:

Wireless 2.4 GHz

### Construction:

Aluminum alloy

### Temperature:

Operating: 14 °F to 104 °F (-10 °C to 40 °C)  
Storage: -4 °F to 140 °F (-20 °C to 60 °C)

### Effective Wireless Communication Range:

Up to 160 ft (50 m) line of sight typical

### Warranty:

Two-year limited

### Approvals:

NTEP 20-003P Class III

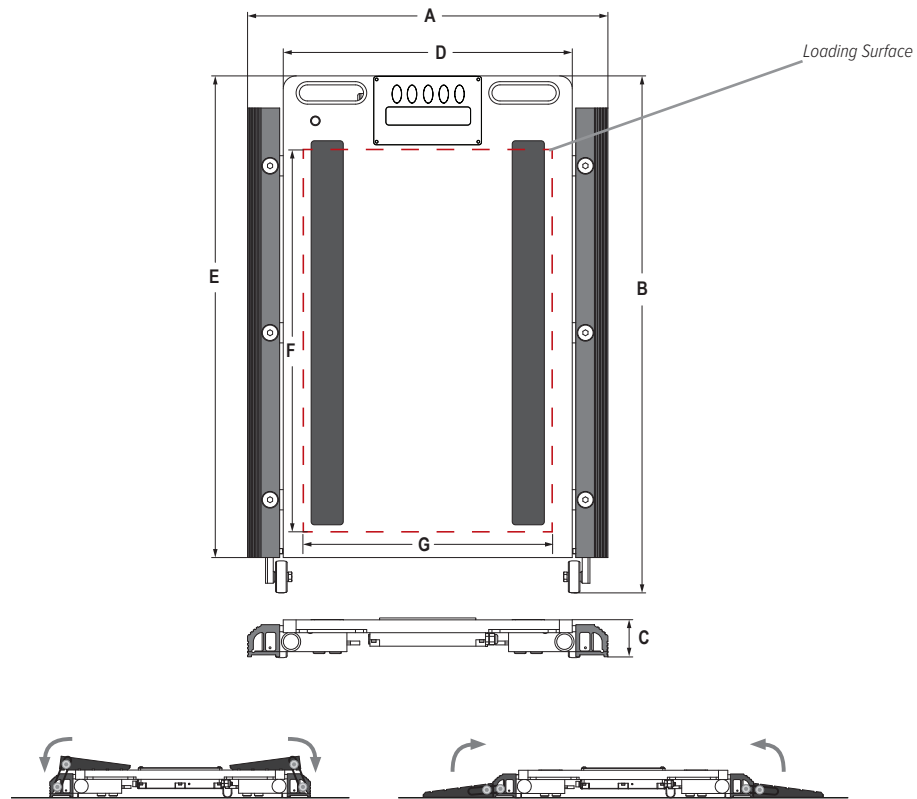


NTEP Class III approved for law enforcement.

## Dimensions

Platform			
	RF-MD	RF-WD	RF-XWD
A	1 ft 8 in (511 mm)	1 ft 10 in (564 mm)	2 ft (611 mm)
B	2 ft (611 mm)	2 ft 8 in (813 mm)	3 ft 3 in (991 mm)
C	2.28 in (58 mm)	2.28 in (58 mm)	2.28 in (58 mm)
D	1 ft 4 in (406 mm)	1 ft 6 in (457 mm)	1 ft 8 in (511 mm)
E	1 ft 10 in (564 mm)	2 ft 6 in (750 mm)	3 ft 1 in (950 mm)

Loading Surface			
	RF-MD	RF-WD	RF-XWD
F	1 ft 3 in (381 mm)	1 ft 11 in (584 mm)	2 ft 5 in (737 mm)
G	1 ft 4 in (406 mm)	1 ft 6 in (457 mm)	1 ft 8 in (511 mm)



Optional aluminum ramps

VEHICLE SCALES

# Load Ranger Cart

Transport Cart



## Standard Features

- Can hold up to four, six or eight Load Ranger wheel pads (with or without optional ramps) and one Load Ranger remote indicator case
- Two swivel, locking casters and two rigid casters to insure the safety of the scales during transit
- Painted mild steel
- Bottom surface, heavy duty plastic to offer scratch resistance for Load Rangers
- Integrated forklift channels
- Cam latch closures
- AC power strip, US plug

## Specifications

### Warranty:

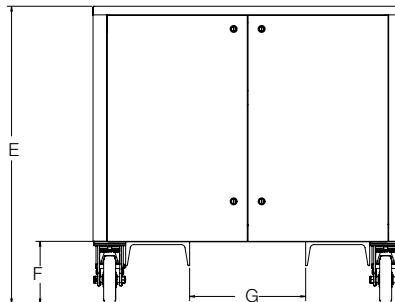
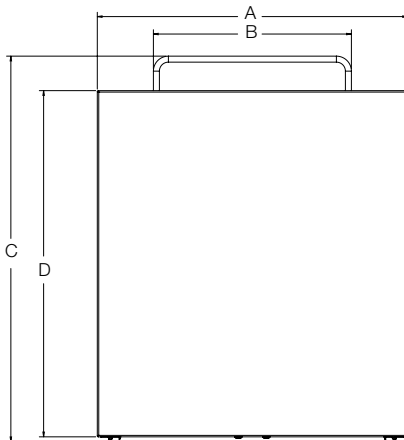
One-year limited

## Part Number/Price

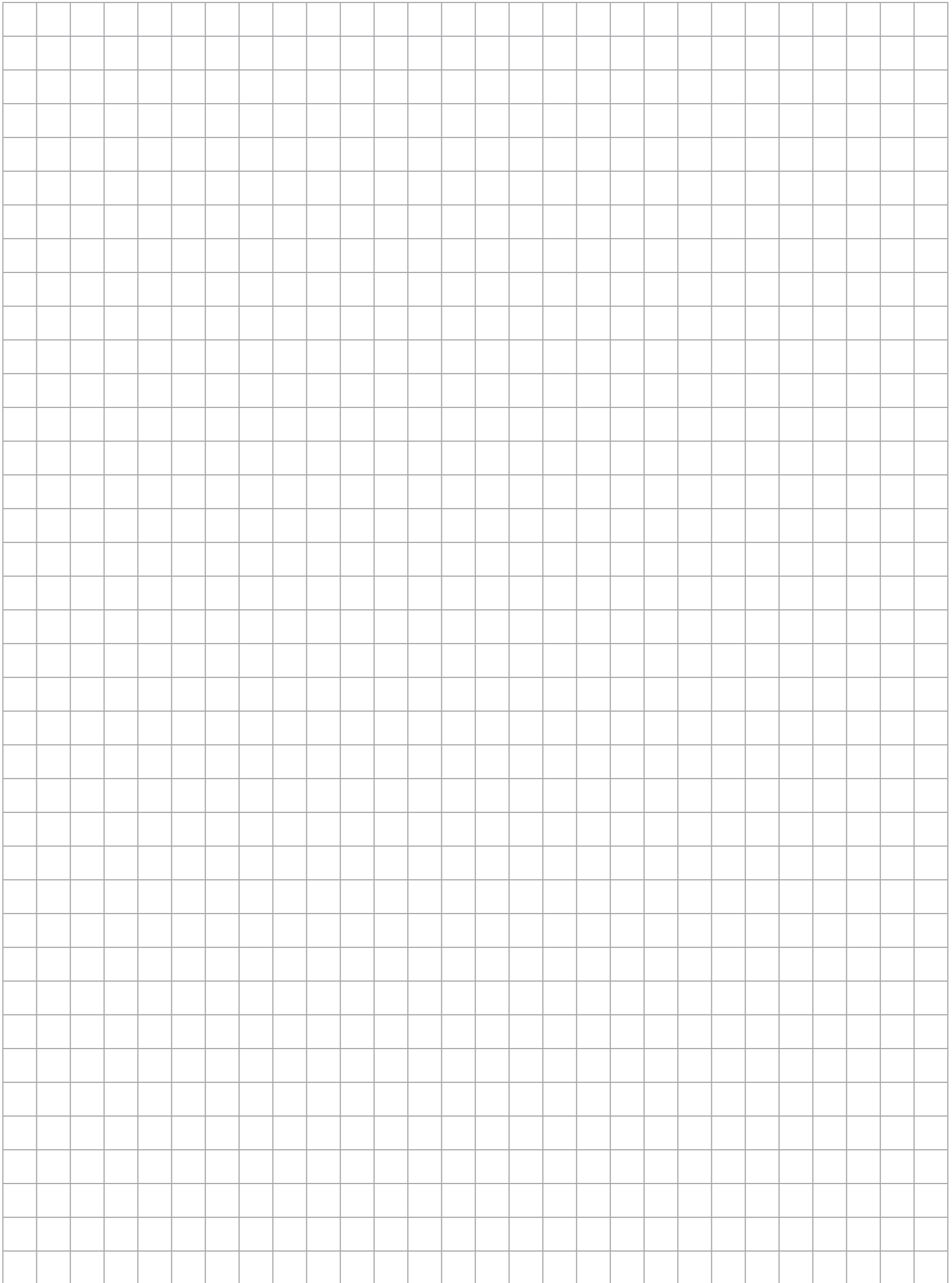
Part #	Description	Est. Weight	Price
225058	Load Ranger transport cart for up to 4 Load Ranger wheel pads	480 lb	\$3,995.00
203078	Load Ranger transport cart for up to 6 Load Ranger wheel pads	540 lb	\$4,595.00
221488	Load Ranger transport cart for up to 8 Load Ranger wheel pads	610 lb	\$5,595.00

## Dimensions

Load Ranger Cart, 4 Bay			
A	31.80 in (808 mm)	E	37.17 in (944 mm)
B	24.75 in (629 mm)	F	7.80 in (198 mm)
C	47.87 in (1,216 mm)	G	9.26 in (235 mm)
D	43.50 in (1,105 mm)		
Load Ranger Cart, 6 Bay			
A	40.80 in (1,036 mm)	E	37.17 in (944 mm)
B	24.75 in (629 mm)	F	7.80 in (198 mm)
C	47.87 in (1,216 mm)	G	16.25 in (413 mm)
D	43.50 in (1,105 mm)		
Load Ranger Cart, 8 Bay			
A	50.30 in (1,278 mm)	E	37.17 in (944 mm)
B	24.75 in (629 mm)	F	7.80 in (198 mm)
C	47.87 in (1,216 mm)	G	25.75 in (654 mm)
D	43.50 in (1,105 mm)		

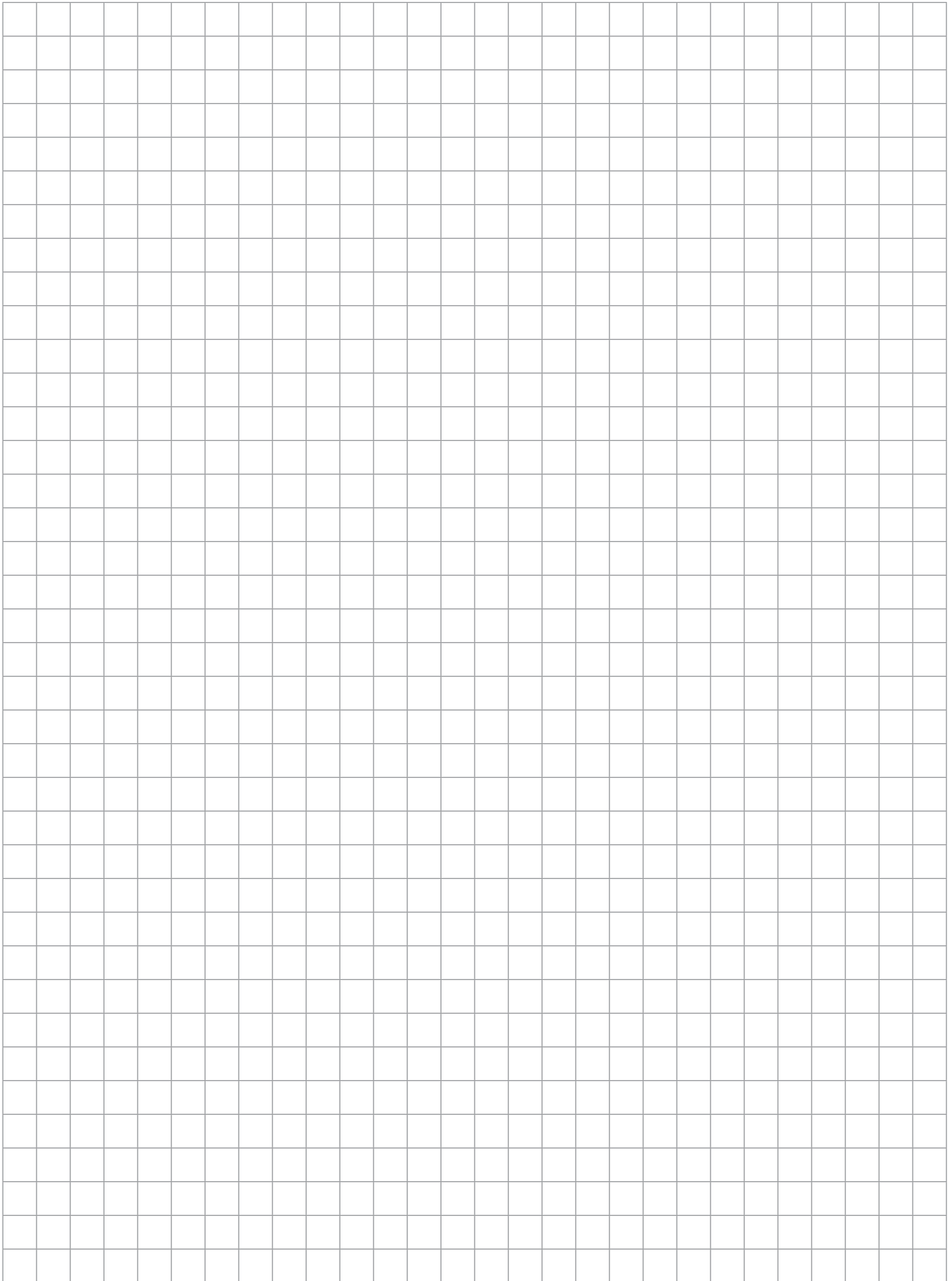


VEHICLE SCALES



VEHICLE SCALES





VEHICLE SCALES

