



Picture is a representation of actual product.

Approvals

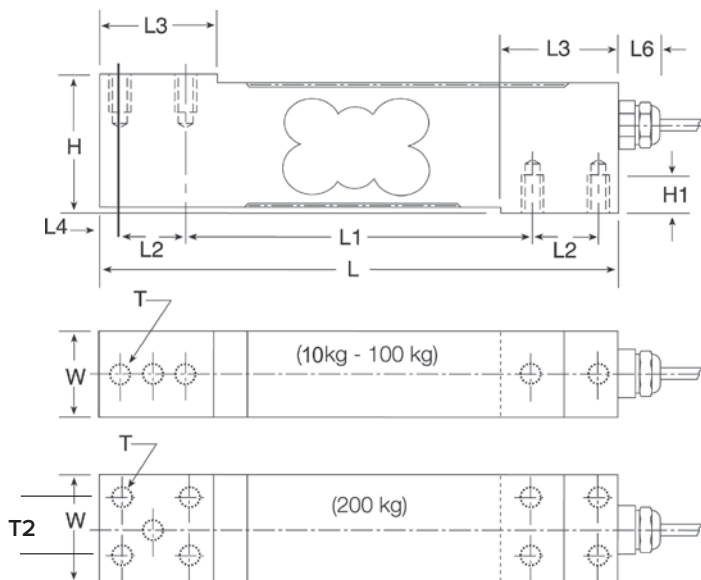


Order Information

Load Rating	Part #	Est. Weight	Price
NTEP Certified			
10 kg	41405	3 lb	Consult
15 kg	41233	3 lb	Consult
30 kg	41234	3 lb	Consult
50 kg	41235	3 lb	Consult
75 kg	41236	3 lb	Consult
Non-NTEP Certified			
100 kg	41237	3 lb	Consult
200 kg	41406	4 lb	Consult

Dimensions

Rated Capacity	H	H1	L	L1	L2	L3	L4	L6	W	T	T2
kg/mm											
10 to 100	40.0	10.0	150.0	100.0	19.0	32.0	6.0	20.0	25.4	1/4-20 UNC x 19.1 DP	N/A
200	40.0	10.0	150.0	100.0	19.0	32.0	6.0	20.0	38.1	1/4-20 UNC x 19.1 DP	25.4



Interchangeable Products

FLINTEC
PC1..... page 229

Specifications

- Full Scale Output:**
2.0 mV/V
- Output Resistance:**
330 (± 25) ohm
- Input Resistance:**
390 (± 20) ohm
- Material/Finish:**
Stainless steel
- Temperature:**
Operating range
0 °F to 150 °F (-18 °C to 65 °C)
- Seal Type:**
Environmentally sealed, IP67
- Safe Overload:**
200% full scale
- Rated Excitation:**
5 VDC (15 V maximum)
- Combined Error:**
0.02% full scale
- Insulation Resistance:**
5,000 megohm
- Cable Length:**
10 ft
- Cable Diameter:**
0.196 in polyurethane jacket
- Max Platform Size:**
18 × 18 in
- Cable Color Code:**
Green +Excitation
Black -Excitation
White +Signal
Red -Signal
Yellow Shield
- Warranty:**
Two-year limited
- Approvals:**
FM
NTEP 00-125

**RICE LAKE
LOAD CELLS**