

Vehicle Scales

TABLE OF CONTENTS

SURVIVOR® Truck and Rail Scales	934
RailBoss®	935
<i>Full Draft or Double Draft</i>	
RoughDeck® AX	938
<i>Tandem Axle Scale</i>	
AX3040	939
<i>Tandem Axle Scale</i>	
RoughDeck® AX-1	940
<i>Axle Scale</i>	
Load Ranger	942
<i>Wireless Wheel Pad Scale</i>	
Load Ranger Cart	944
<i>Transport Cart</i>	

The following product names, logos, brands and other trademarks featured or referred to within this publication are the property of their respective trademark holders.

SURVIVOR® Truck and Rail Scales

For more information on Rice Lake's full line of SURVIVOR® truck and rail scales, please visit our website at www.ricelake.com or call 800-472-6703 and ask to speak with a heavy capacity team member.



Truck Scales:

www.ricelake.com/survivor

SURVIVOR® OTR

Heavy-duty, top access, concrete or steel deck scales

SURVIVOR® OTR-LP

Heavy-duty, steel deck, low profile scale for existing foundations

SURVIVOR® OTR-XV

Extreme duty, top access, concrete or steel deck scales

SURVIVOR® ATV

Heavy or extreme duty, top access portable steel deck scales

SURVIVOR® SR

Heavy-duty, low profile, concrete or steel deck siderail scales

SURVIVOR® PT

Heavy-duty, pit-type, concrete or steel deck scales

SURVIVOR® Multi-Platform

SURVIVOR® ATV-M

Portable, self-contained levertronic, steel deck scales

SURVIVOR® PT-M

Pit-type, levertronic, concrete deck scales

Rail Scales:

www.ricelake.com/railscales

SURVIVOR® RT

Pit-type, rail/truck combination scales

SURVIVOR® PL

Low profile, pitless scales

RailBoss®

Full- or double-draft rail scales

VEHICLE SCALES



*Non-Legal for Trade

Approvals



Part Number/Price

Part #	Description	Est. Weight	Price
Kits			
164748	RailBoss assembly kit, full draft, 90 RA rail V2	2,280 lb	\$40,900.00
215171	RailBoss assembly kit, full draft, 90 RA rail, qty 8 joint bars	2,350 lb	\$46,300.00
164749	RailBoss assembly kit, double draft, 90 RA rail V2	1,150 lb	\$20,400.00
193391	RailBoss assembly kit, full draft, 100 ARA-A	2,500 lb	\$41,100.00
215173	RailBoss assembly kit, full draft, 100 ARA-A rail, qty 8 joint bars	2,350 lb	\$46,000.00
193390	RailBoss assembly kit, double draft, 100 ARA-A	1,100 lb	\$20,500.00
215172	RailBoss assembly kit, full draft, 100 ARA-A	2,300 lb	\$46,000.00
188023	RailBoss assembly kit, double draft, 100 AREA	1,100 lb	\$21,500.00
162515	RailBoss assembly kit, full draft, 115RE rail V2	2,550 lb	\$41,100.00
215174	RailBoss assembly kit, full draft, 115RE rail, qty 8 joint bars	2,400 lb	\$45,300.00
162516	RailBoss assembly kit, double draft, 115RE rail V2	1,275 lb	\$20,500.00
164752	RailBoss assembly kit, full draft, 132RE rail V2	2,800 lb	\$41,500.00
215175	RailBoss assembly kit, full draft, 132RE rail, qty 8 joint bars	2,450 lb	\$46,400.00
164753	RailBoss assembly kit, double draft, 132RE rail V2	1,400 lb	\$20,800.00
194678	RailBoss assembly kit, full draft, 133 AREA	2,900 lb	\$41,500.00
215176	RailBoss assembly kit, full draft, 133 AREA rail, qty 8 joint bars	2,500 lb	\$46,400.00
194679	RailBoss assembly kit, double draft, 133 AREA	1,450 lb	\$20,800.00
169763	RailBoss assembly kit, full draft, 136 AREA	3,000 lb	\$43,600.00
215177	RailBoss assembly kit, full draft, 136 AREA rail, qty 8 joint bars	2,550 lb	\$48,500.00
169762	RailBoss assembly kit, double draft, 136 AREA	1,500 lb	\$21,900.00
Single Rail Gauge Assemblies			
164750	RailBoss 90 lb gauge assembly V2 (does not include cable)	290 lb	\$5,400.00
193389	RailBoss 100 ARA-A gauge assembly V2 (does not include cable)	300 lb	\$5,400.00
188013	RailBoss 100 ARA-A gauge assembly V2 (does not include cable)	320 lb	\$5,400.00
162517	RailBoss 115 lb gauge assembly V2 (does not include cable)	320 lb	\$5,400.00
164754	RailBoss 132 lb gauge assembly V2 (does not include cable)	350 lb	\$5,400.00
194677	RailBoss 133 AREA gauge assembly V2 (does not include cable)	370 lb	\$5,400.00
169761	RailBoss 136 AREA gauge assembly V2 (does not include cable)	390 lb	\$5,400.00

NOTE: Instrumentation with RailBoss software must be ordered separately and is not included with the RailBoss assembly kit

Standard Features

- 80,000 lb axle capacity
- 320,000 lb full scale capacity
- 40,000 lb rail section capacity
- 90 RA, 100 ARA-A, 115 RE, 132 RE, 133 RE or 136 RE rail sections
- 5 ft 10 in rail sections, pre-drilled for joint bars
- Quick-disconnect cable connection with MS style connector

Full Draft Package Includes

- (8) 5 ft 10 in rail sections
- 30 ft of connecting cable per rail section
- Pre-drilled joint bars with connection hardware
- (2) Rice Lake junction boxes with transient protection
- 30 ft of homerun cable

Double Draft Package Includes

- (4) 5 ft 10 in rail sections
- 30 ft of connecting cable per rail section
- Pre-drilled joint bars with connection hardware
- (1) Rice Lake junction box with transient protection
- 30 ft of homerun cable

Optional Features

- Custom rail sizes are available
- 1280 Enterprise™ Series indicator with RailBoss software for full-draft or double-draft applications*
- 920i® indicator with RailBoss software for full-draft or double-draft applications*
- Custom cable lengths

*Non-Legal for Trade

Calibration Unit

Standard Features

- 482 Legend Series indicator
- Attachment hardware for 90 RA, 115RE and 132RE rail

Specifications

Load Cells:

40,000 lb

Accuracy:

= 0.25% error typical, interchangeable with other gauged rail products

Full Scale Output:

0.8 mV/V ± 0.2%

Input Resistance:

765 ± 5 ohm

Output Resistance:

700 ± 5 ohm

Full Scale Capacity:

320,000 lb

Axle Capacity:

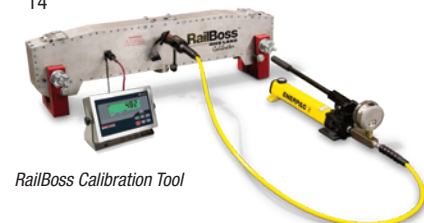
80,000 lb

Warranty:

Two-year limited

Intrinsic Safety:

cFMus
Class I, II, III, Division 1, Groups ABCDEFG
T4

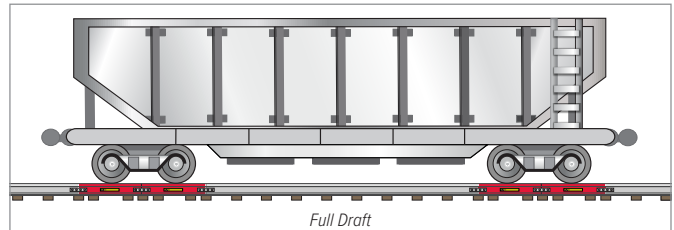
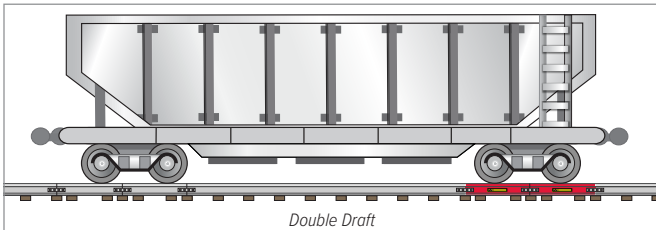
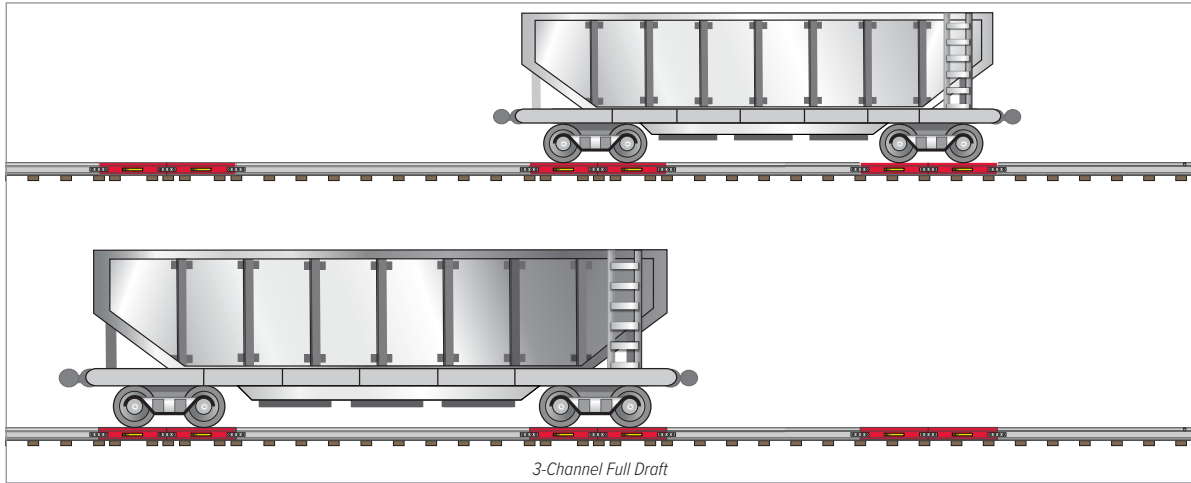


RailBoss Calibration Tool

Part Number/Price

Part #	Description	Est. Weight	Price
Instrumentation			
119073	Single-channel 920i® indicator double draft with RailBoss software	10 lb	\$2,650.00
119072	Dual-channel 920i® indicator full draft with RailBoss software	10 lb	\$2,750.00
126304	Three-channel 920i® indicator full draft with RailBoss software	10 lb	\$2,825.00
190949	Single-channel 1280 indicator double draft with RailBoss software	11 lb	\$3,350.00
190951	Dual-channel 1280 indicator full draft with RailBoss software	11 lb	\$3,500.00
190952	Three-channel 1280 indicator full draft with RailBoss software	11 lb	\$3,850.00
Hardware			
126391	90 RA 24 in short toe joint bar set, 4 sets required (2 bars with bolts and nuts)	40 lb	\$1,350.00
129620	100 RE Short toe joint bar set, 4 sets required (2 bars with bolts and nuts)	58 lb	\$1,225.00
193468	100 ARA-A short tow joint bar set, 4 sets required (2 bars with bolts and nuts)	45 lb	\$1,225.00
126389	115 RE 24 in short toe joint bar set, 4 sets required (2 bars with bolts and nuts)	50 lb	\$1,050.00
126390	132 RE 24 in short toe joint bar set, 4 sets required (2 bars with bolts and nuts)	60 lb	\$1,225.00
194674	133 AREA short tow joint bar set, 4 sets required (2 bars with bolts and nuts)	70 lb	\$1,225.00
126390	136 AREA short tow joint bar set, 4 sets required (2 bars with bolts and nuts)	80 lb	\$1,225.00
126111	90 RA isolation joint bar set, 4 sets required (2 bars with bolts and nuts)	40 lb	\$1,225.00
112702	115 RE isolation joint bar set, 4 sets required (2 bars with bolts and nuts)	50 lb	\$1,225.00
119771	132 RE isolation joint bar set, 4 sets required (2 bars with bolts and nuts)	60 lb	\$1,225.00
194673	133 AREA isolation joint bar set, 4 sets required (2 bars with bolts and nuts)	70 lb	\$1,225.00
194344	136 AREA isolation joint bar set, 4 sets required (2 bars with bolts and nuts)	80 lb	\$1,225.00
198086	100RA Isolation Joint Bar Set, 4 sets required (2 bars with bolts and nuts)	-	\$1,225.00
163004	30 ft interface cable	-	\$625.00
164873	60 ft interface cable	-	\$775.00
164874	100 ft interface cable	-	\$1,050.00
188909	Adaptor cable from AWT Weighline to Rice Lake RailBoss	-	\$650.00
Calibration Equipment			
115564	RailBoss calibration/test unit	300 lb	\$12,900.00
119068	Railboss calibration/test until rental	300 lb	\$700.00
208171	Coupler, flush face, no drip for Enerpac FR400 pump	-	\$425.00

NOTE: Instrumentation with RailBoss software must be ordered separately and is not included with the RailBoss assembly kit



VEHICLE SCALES

02:41 PM 01/25/2017

FULL DRAFT Change Rail Car

Scale 1 Scale 2

5000 lb 7500 lb

Press Capture Button

12500 lb Gross
0 lb Tare
12500 lb Net

Capture

Return to Weigh Screen

Full-draft RailBoss software display with a 1280 indicator

01/03/2018 11:32AM SCALE #1

Scale #1 Scale #2

100050 97000

Rail Truck #1: 100050 lb 197050 lb Gross

Rail Truck #2: 97000 lb 98000 lb Tare

99050 lb Net

Ticket Printed - Exit Scale

Double Draft Reprint

Double-draft RailBoss software display with a 920i indicator

RoughDeck® AX

Tandem Axle Scale



Standard Features

- System includes two platforms with anchor brackets and four on/off ramps with anchor tabs (anchor bolts not included)

Scale

- (L x W x H): 84 x 32 x 6 in
- Axle capacity - tandem platforms - 60,000 lb (two scales 30,000 lb each)
- Includes (2) 3/4-10 NC eye bolts for lifting scale during installation
- Contains four environmentally sealed, IP67 20,000 lb single-ended shear beam load cells per platform
- Treaded top plate with side access junction box
- JB4SS TuffSeal® signal trim junction box
- Top access foot adjustment holes
- Carbon steel captured ball feet
- 20 ft SURVIVOR® EL147HE cable
- Non-Legal for Trade

Ramps

- (L x W x H) 60 x 32 x 6 in
- Treaded top plate

Specifications

End Loading Capacity:

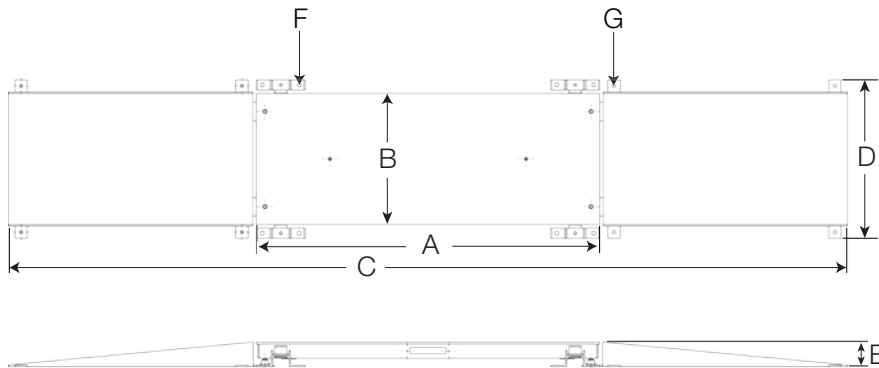
133% full scale at 30,000 lb

Warranty:

Load cells: Two -years
All other components:
One-year limited

Part Number/Price

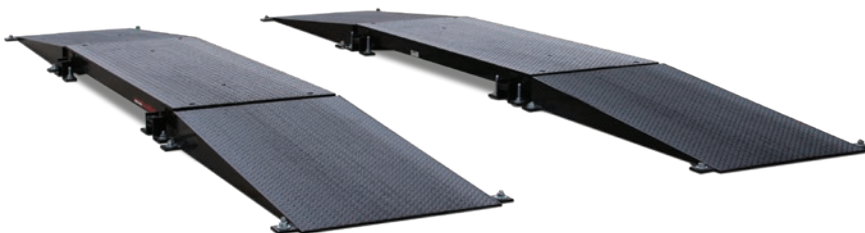
Part #	Description	Dimensions (L x W x H)	Est. Weight	Price
107637	60,000 lb (30,000 lb each)	84 x 32 x 6 in	3,600 lb	\$16,500.00



Dimensions

A	84.00 in
B	32.00 in
C	205.50 in
D	38.75 in
E	6.00 in
F	1.00 in
G	0.75 in

Note: 1 in = 25.4 mm



VEHICLE SCALES



Standard Features

- System includes two platforms and four on/off ramps (anchor bolts not included)

Scale

- Sizes: 7 ft, 12 ft and 14 ft lengths
- Construction: Steel or aluminum
- Axle capacity - tandem platforms - 60,000 or 80,000 lb (30,000 or 40,000 lb each)
- Includes (4) 5/8-11 NC eye bolts for lifting scale during installation
- Contains two load cells per platform
- Treaded top plate with four lifting eyes
- JB4SS TuffSeal® signal trim junction box
- 10 ft EL146HE Interconnect cable with MS-type connectors to go between weigh pads
- 50 ft EL147HE cable to connect weigh pad to indicator
- Non-Legal for Trade

Ramps

- (L x W): Two 5.25 x 32.00 in
- Steel or aluminum

Specifications

Construction:

Steel or aluminum

Accuracy:

±3%

End Loading Capacity:

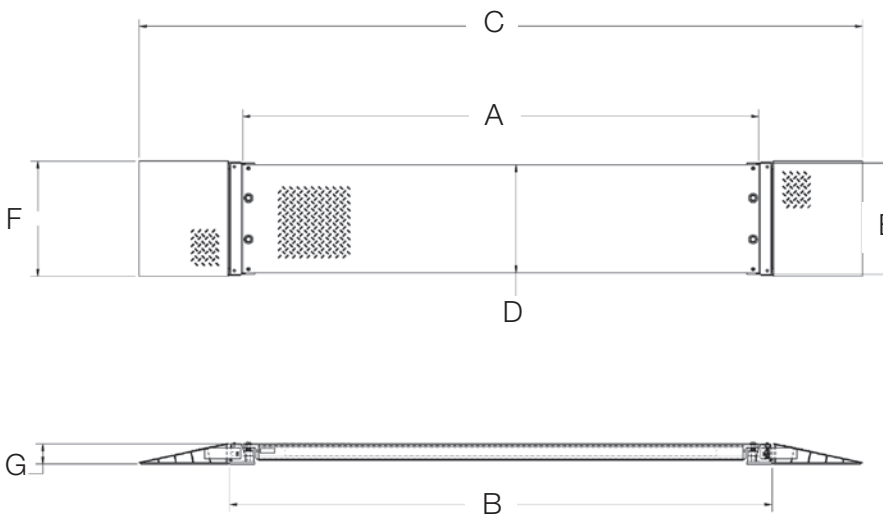
133% full scale at 30,000 lb
100% full scale at 40,000 lb

Warranty:

One-year limited

Part Number/Price

Part #	Description	Dimensions (L x W x H)	Est. Weight	Price
Steel Construction - Painted Black				
112330	60,000 lb (30,000 lb each)	7 ft x 2.5 ft x 5.63 in	2,500 lb	\$14,850.00
111748	80,000 lb (40,000 lb each)	7 ft x 2.5 ft x 5.63 in	4,400 lb	\$17,580.00
112328	80,000 lb (40,000 lb each)	14 ft x 2.5 ft x 5.75 in	5,200 lb	\$23,325.00
Aluminum Construction - Glass Beaded				
112329	60,000 lb (30,000 lb each)	7 ft x 2.5 ft x 5.63 in	1,250 lb	\$17,485.00



Dimensions

7 ft steel

A	83.60 in	E	31.00 in
B	90.90 in	F	32.00 in
C	141.25 in	G	5.63 in
D	30.00 in		

12 ft steel

A	143.60 in	E	31.00 in
B	150.90 in	F	32.00 in
C	201.2 in	G	5.63 in
D	30.00 in		

14 ft steel

A	167.60 in	E	31.00 in
B	174.90 in	F	32.00 in
C	225.25 in	G	5.75 in
D	30.00 in		

7 ft aluminum

A	83.60 in	E	31.00 in
B	90.90 in	F	32.00 in
C	141.25 in	G	5.63 in
D	30.00 in		

Note: 1 in = 25.4 mm



RoughDeck® AX-1

Axle Scale



Standard Features

- Sizes: 7.5 ft, 9.5 ft or 11.5 ft lengths
- Capacity: 50,000 lb
- Includes (2) 1-8 NC eye bolts
- Contains four environmentally sealed, IP67, 20,000 lb single-ended load cells
- Treaded top plate
- JB4SS TuffSeal® signal trim top access junction box
- Top access foot adjustment holes
- Carbon steel captured ball feet
- 20 ft SURVIVOR® EL147HE cable
- Non-Legal for Trade

Options:

- Ramps: 10 × 4 ft, treaded top plate
- Scale frame

Specifications

End Loading Capacity:

80% full scale at 50,000 lb

Warranty:

Load cells: Two -years
All other components:
One-year limited

Part Number/Price

Part #	Dimensions (L × W × H)	Capacity	Est. Weight	Price
Scale only				
169649	7.5 ft × 9.6 ft × 6.0 in	50,000 lb	3,350 lb	\$16,550.00
169650	9.5 ft × 9.6 ft × 6.0 in	50,000 lb	4,150 lb	\$18,630.00
169651	11.5 ft × 9.6 ft × 6.0 in	50,000 lb	5,500 lb	\$20,700.00
Scale, bundled with scale frame				
169645	8.0 ft × 10.1 ft × 6.75 in	50,000 lb	4,350 lb	\$19,035.00
169647	10.0 ft × 10.1 ft × 6.75 in	50,000 lb	5,400 lb	\$21,580.00
169648	12.0 ft × 10.1 ft × 6.75 in	50,000 lb	7,000 lb	\$25,610.00

Options/Accessories

Part #	Dimensions (L × W × H)	Est. Weight	Price
Scale frame only			
169652	8.0 ft × 10.1 ft × 6.75 in	1,000 lb	\$2,900.00
169653	10.0 ft × 10.1 ft × 6.75 in	1,250 lb	\$3,365.00
169654	12.0 ft × 10.1 ft × 6.75 in	1,500 lb	\$5,325.00
Ramp, attaches to scale frame			
169655	10 × 4 ft, single ramp	1,600 lb	\$3,375.00
169656	10 × 4 ft, ramp set	3,200 lb	\$6,750.00
Ramp, attaches to scale			
169657 *	10 × 4 ft, single ramp	1,675 lb	\$3,375.00
169658	10 × 4 ft, ramp set	3,350 lb	\$6,750.00

*Consult factory for quote on riser plate for opposite end of scale.

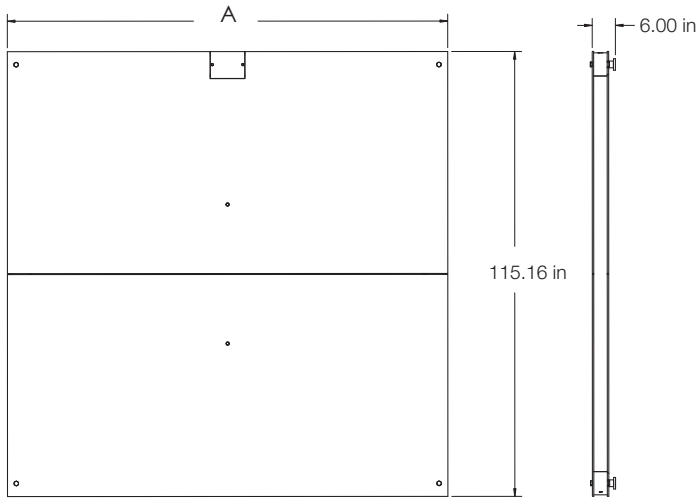


Scale shown with optional ramps

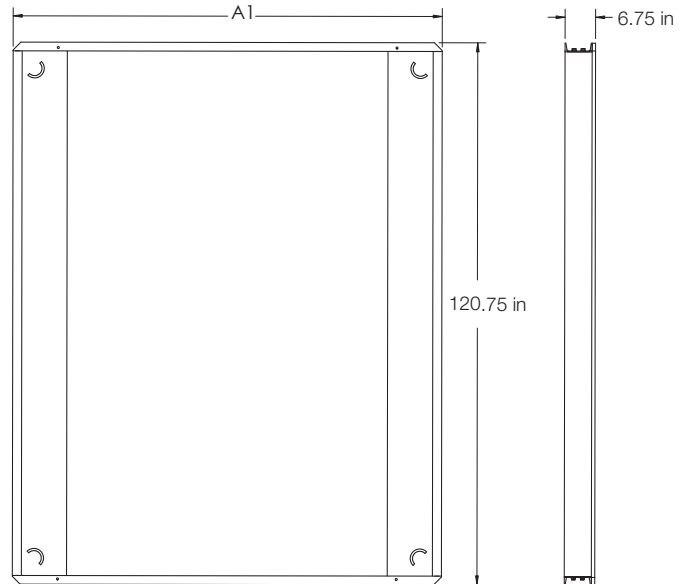
VEHICLE SCALES

RoughDeck® AX-1

Axle Scale



Scale



Scale frame

Dimensions

PN 169649	
A	90.00 in
PN 169650	
A	114.00 in
PN 169651	
A	138.00 in

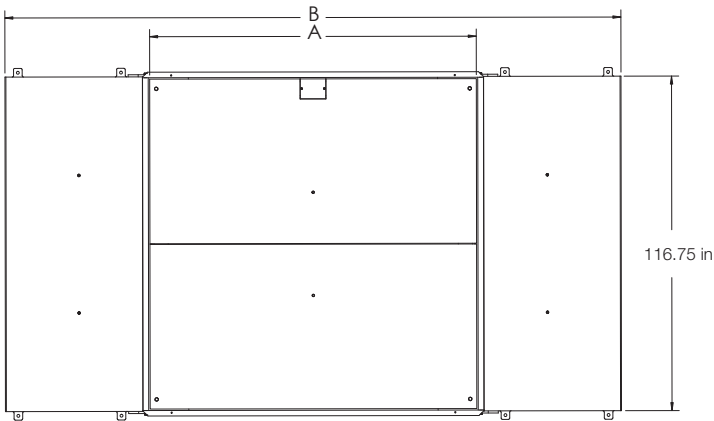
Note: 1 in = 25.4 mm

Dimensions

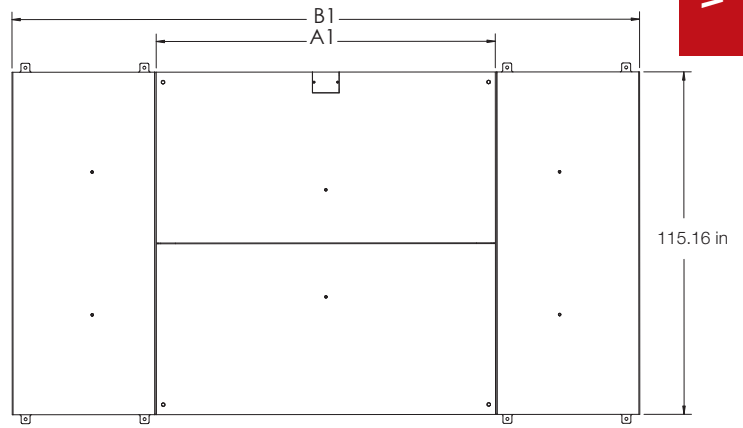
PN 169652	
A1	95.75 in
PN 169653	
A1	119.75 in
PN 169654	
A1	143.75 in

Note: 1 in = 25.4 mm

VEHICLE SCALES



Scale in scale frame with ramps



Scale with ramps

Dimensions

PN 169645			
A	90.00 in	B	191.75 in
PN 169647			
A	114.00 in	B	215.75 in
PN 169648			
A	138.00 in	B	239.75 in

Note: 1 in = 25.4 mm

Dimensions

PN 169649			
A1	90.00 in	B1	187.00 in
PN 169650			
A1	114.00 in	B1	211.00 in
PN 169651			
A1	138.00 in	B1	235.00 in

Note: 1 in = 25.4 mm

Load Ranger

Wireless Wheel Pad Scale



Part Number/Price

Part #	Description	Price
212108	Remote indicator with integrated printer in carrying case	\$2,100.00

Part #	Size	Graduation	Price
Load Ranger RF-MD			
212096	1 ft 10 in × 1 ft 8 in × 2.28 in	3,300 × 1 lb	\$2,195.00
212097	1 ft 10 in × 1 ft 8 in × 2.28 in	6,600 × 2 lb	\$2,195.00
212098	1 ft 10 in × 1 ft 8 in × 2.28 in	13,200 × 5 lb	\$2,195.00
212099	1 ft 10 in × 1 ft 8 in × 2.28 in	22,000 × 10 lb	\$2,375.00
212100	1 ft 10 in × 1 ft 8 in × 2.28 in	33,000 × 10 lb	\$2,375.00
Load Ranger RF-WD			
212101	2 ft 6 in × 1 ft 10 in × 2.28 in	13,200 × 5 lb	\$2,730.00
212102	2 ft 6 in × 1 ft 10 in × 2.28 in	22,000 × 10 lb	\$2,730.00
212103	2 ft 6 in × 1 ft 10 in × 2.28 in	33,000 × 10 lb	\$2,730.00
212835	2 ft 6 in × 1 ft 10 in × 2.28 in (NTEP Class III)	22,000 × 20 lb	\$3,350.00
Load Ranger RF-XWD			
212104	3 ft 1 in × 2 ft × 2.28 in	13,200 × 5 lb	\$3,350.00
212105	3 ft 1 in × 2 ft × 2.28 in	22,000 × 10 lb	\$3,350.00
212106	3 ft 1 in × 2 ft × 2.28 in	33,000 × 10 lb	\$3,350.00
212107	3 ft 1 in × 2 ft × 2.28 in	44,000 × 20 lb	\$3,350.00

Options/Accessories

Part #	Description	Price
190916	RS-485 cable used to connect wheel pad directly to indicator	\$185.00
188744	RS-485 cable, 10 m, used in a 7 pad or more hybrid-wireless system to join two pads together (for use with Bluetooth versions of Load Ranger pads only)	\$185.00
181881	Aluminum ramp for Load Ranger MD models (single ramp only)	\$265.00
181882	Aluminum ramp for Load Ranger WD models (single ramp only)	\$300.00
181883	Aluminum ramp for Load Ranger XWD models (single ramp only)	\$325.00
182053	Printer paper roll, 57 mm x 30 m, 12 mm core 51 mm OD	\$3.00
185064	Load Ranger wheel pad charger, 110 VAC version with US plug	\$100.00
192591	Load Ranger Ai-1 remote indicator power adapter, 120-230 VAC version with US plug	\$90.00
212110	Load Ranger wheel pad 2.4GHz radio upgrade kit	\$525.00
212111	Load Ranger Ai-1 remote indicator 2.4GHz radio upgrade kit	\$525.00

Standard Features

- Up to 16 individual pads communicate wireless to the indicator
- Industrial RF radio module to communicate with optional indicator
- Integrated wheels and nonslip rubber under platform
- Internal rechargeable battery with 40 hours of battery life
- Built-in indicator on each scale with 1 in character display
- IP67 rating
- Cover plate protects built-in indicator

Optional Remote indicator with integrated Printer in Carrying Case

- ABS carrying case: 1 ft × 1 ft 6 in × 7 in
- Backlit graphic display with touchscreen technology
- Internal battery with 10 hours of battery life
- Real-time clock
- Permanent data storage
- Direct thermal receipt printer

Wheel Weighing Software

- Multi-scale function mode weighs with up to 16 individual pads (eight sets)
- Static axle weighing function, up to two channels
- Calculation of center of gravity
- Semi-automatic and preset tare
- Selection of displayed data on LCD touchscreen
- 1,000 field database
- Print and display list of last 3,500 vehicles

Options/Accessories

- Leveling modules
- Aluminum ramps
- NTEP Class III (*Select sizes and capacities only, consult factory for more information*)

Specifications

Construction:

Aluminum alloy

Display:

1 in character display on each scale

System Accuracy:

0.05% of rated capacity

Power Supply:

Rechargeable battery
Approximately 40 hours of battery life
Includes UL approved AC wall adaptor

Operating Temperature:

14 °F to 104 °F (-10 °C to 40 °C)

Storage Temperature:

-4 °F to 140 °F (-20 °C to 60 °C)

Effective Wireless Communication Range:

Up to 160 ft (50m) line of sight typical

Warranty:

Two-year limited

Approvals:

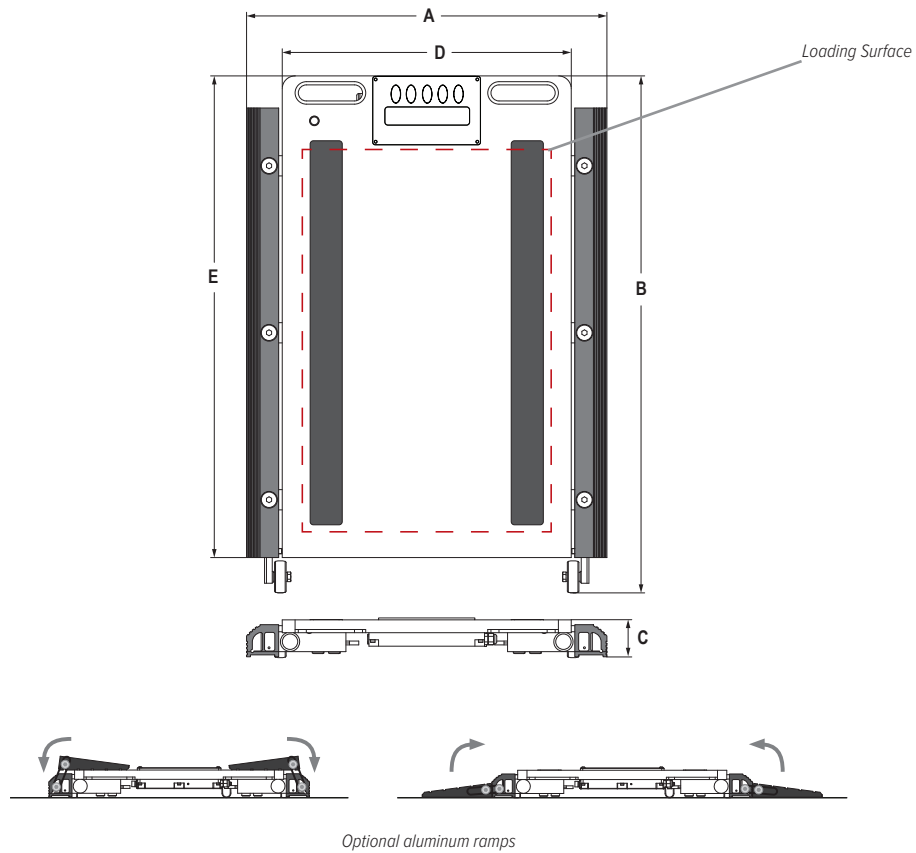
NTEP CC 20-003P Class III
(*Select sizes and capacities only, consult factory for more information*)



NTEP Class III approved for law enforcement.

Platform Dimensions			
	RF-MD	RF-WD	RF-XWD
A	1 ft 8 in (511 mm)	1 ft 10 in (564 mm)	2 ft (611 mm)
B	2 ft (611 mm)	2 ft 8 in (813 mm)	3 ft 3 in (991 mm)
C	2.28 in (58 mm)	2.28 in (58 mm)	2.28 in (58 mm)
D	1 ft 4 in (406 mm)	1 ft 6 in (457 mm)	1 ft 8 in (511 mm)
E	1 ft 10 in (564 mm)	2 ft 6 in (750 mm)	3 ft 1 in (950 mm)

Loading Surface Dimensions	
RF-MD	1 ft 3 in × 1 ft 4 in (381 × 406 mm)
RF-WD	1 ft 11 in × 1 ft 6 in (584 × 457 mm)
RF-XWD	2 ft 5 in × 1 ft 8 in (737 × 511 mm)



VEHICLE SCALES

Load Ranger Cart

Transport Cart



Standard Features

- Can hold up to six Load Ranger wheel pads (with or without optional ramps) and one Load Ranger remote indicator case
- Two swivel, locking casters and two rigid casters
- Painted mild steel
- Integrated forklift channels
- Cam latch closures

Options/Accessories

- AC power strip for charging

Specifications

Warranty:

One-year limited

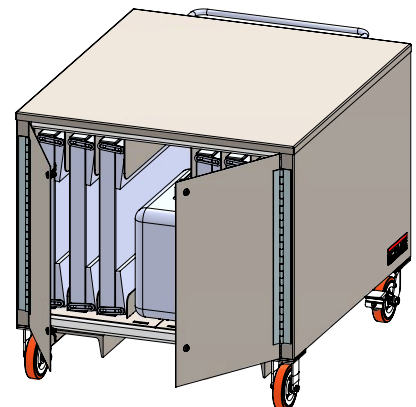
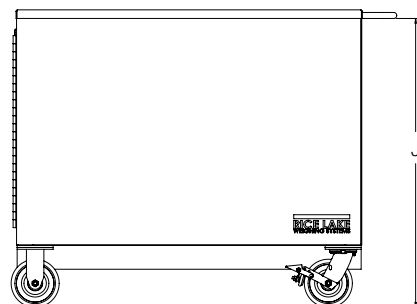
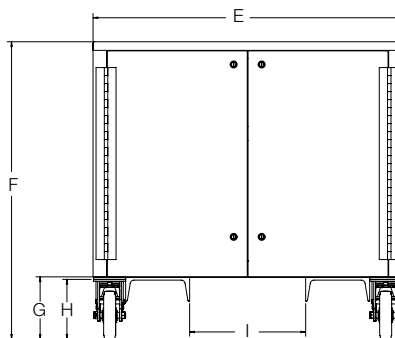
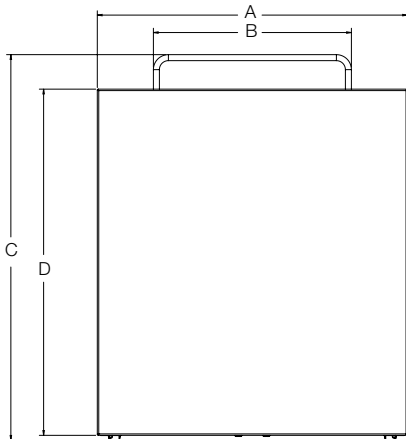
Part Number/Price

Part #	Description	Price
203078	Load Ranger transport cart for up to 6 Load Ranger wheel pads	\$3,995.00

Options/Accessories

Part #	Description	Price
Consult	AC power strip	Consult

Dimensions			
A	38.77 in (985 mm)	F	37.18 in (944 mm)
B	24.75 in (629 mm)	G	7.80 in (198 mm)
C	48.20 in (1,224 mm)	H	7.48 in (190 mm)
D	43.27 in (1,099 mm)	I	14.50 in (368 mm)
E	38.65 in (982 mm)	J	36.10 in (917 mm)



VEHICLE SCALES