

## TABLE OF CONTENTS

<b>Rice Lake RS-130/RS-160</b> .....	<b>912</b>
<i>Battery-Operated Price Computing Scales</i>	
<b>Ishida Astra II</b> .....	<b>913</b>
<i>Price Computing Scale with Printer</i>	
<b>Ishida Astra II Standard Label Formats</b> .....	<b>915</b>
<b>BenchPro™ BP-R</b> .....	<b>916</b>
<i>Multi-Purpose Digital Bench Scale</i>	
<b>QuikSharp™</b> .....	<b>918</b>
<i>Sharpener</i>	
<b>Range: 5 lb and 10 lb</b> .....	<b>918</b>
<i>Stainless Steel / Avoirdupois Set</i>	

Product names, logos, brands and other trademarks featured or referred to within this publication are the property of their respective trademark holders.

# Rice Lake RS-130/RS-160

Battery-Operated Price Computing Scales



RS-130 Pole



RS-160 Bench

## Standard Features

- Toggle between lb/kg/oz\*
- Nine PLU keys for direct price lookups
- Function keys: change, unit, zero, tare
- Backlit LCD display, 0.45 in (11.5 mm) character height
- Cash back calculation
- Large stainless steel platter
- In-use cover
- Pole swivels to face desired direction
- Battery charge indicator
- Internal sealed battery
- Customer display
- NTEP Certified, Legal for Trade

\*Not Measurement Canada Approved

## Specifications

### Display Items:

- Weight: Five-digits
- Unit price: Five-digits
- Total price: Six-digits

### Accuracy:

1/3,000

### Display:

Backlit LCD, 0.453 in (11.5 mm) character height

### Power Source:

DC 6V/25 mA rechargeable battery with AC adaptor included AC 115V/0.1A (max) (100+ hours battery life, 8 to 10 hours to recharge)

### Weight:

10 lb (4.5 kg)

### Preset Key:

Nine direct price lookups

### Operating Temperature:

14 °F to 104 °F (-10 °C to 40 °C)

### Classification:

NTEP CC 04-067, Class III 3000d

\*Not Measurement Canada Approved

### Warranty:

One-year limited

## Approvals



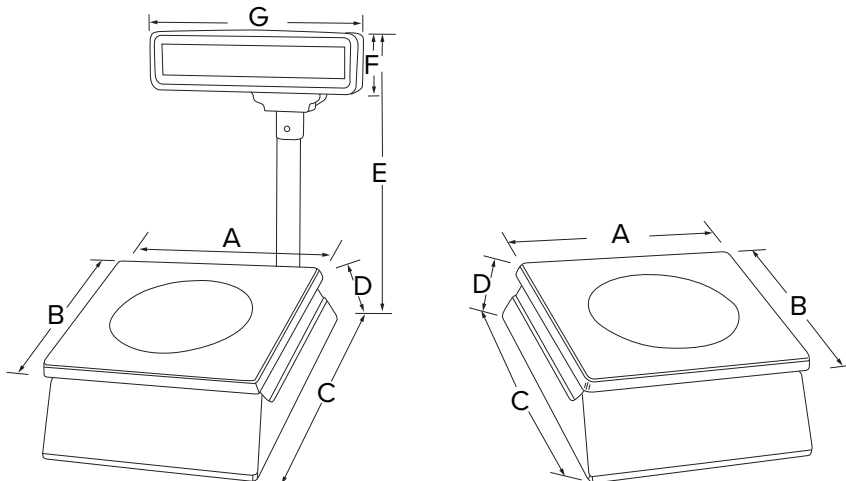
## Part Number/Price

Part #	Model	Capacity	Est. Weight	Price
167941	RS-130 Bench	30 lb × 0.01 lb 15 kg × 0.005 kg 480 oz × 0.2 oz	12 lb	\$383.50
168100	RS-130 Pole	30 lb × 0.01 lb 15 kg × 0.005 kg 480 oz × 0.2 oz	13 lb	\$395.00
167942	RS-160 Bench	60 lb × 0.02 lb 30 kg × 0.01 kg 960 oz × 0.5 oz	12 lb	\$394.00
168101	RS-160 Pole	60 lb × 0.02 lb 30 kg × 0.01 kg 960 oz × 0.5 oz	13 lb	\$406.50

NOTE: Buy quantity of 5 and get a 50% discount

## Options/Accessories

Part #	Description	Price
169634	Additional operating manual	\$15.00
169635	Additional calibration instructions	\$5.00
85711	Additional in-use cover	\$6.50
47976	Fish platter, (W × D) 9.5 × 13.5 in	\$104.00
47977	Produce platter, (W × D) 9.5 × 13.5 in	\$82.00
85710	Replacement rechargeable battery, 6V	\$23.50



## Dimensions: Bench

Unit			
A	300 mm	C	330 mm
B	240 mm	D	120 mm

## Dimensions: Pole

A	300 mm	E	410 mm
B	240 mm	F	78 mm
C	330 mm	G	280 mm
D	120 mm		

RETAIL SCALES

# Ishida Astra II

Price Computing Scale with Printer



## Approvals



## Part Number/Price

Part #	Model	Capacity	Est. Weight	Price
185822	Astra II Bench	30 lb × 0.01 lb	25 lb	\$1,863.00
185823	Astra II Pole	30 lb × 0.01 lb	25 lb	\$1,957.00
190641	Astra II Lite software CD			N/C
190642	Astra II Lite license file (for one computer only not transferable)			\$149.00

## Options/Accessories

Part #	Description	Price
47977	Produce platter (sits on top platter included with scale)	\$82.00
47976	Fish platter (sits on top platter included with scale)	\$104.00
47341	Continuous roll thermal journal paper, 64 mm W × 50 m L (for reports only)	\$5.50
184273*	Technical manual	\$15.00
184270*	Additional operating manual	\$15.00
184274*	Additional operation card	\$15.00
170916	Additional operator keysheet insert	\$26.50
47732	2.36 × 1.73 in (60 × 44 mm)	\$93.00
47733	2.52 × 1.85 in (64 × 47 mm)	\$93.00
47735	2.52 × 2.32 (64 × 59 mm)	\$93.00
47736	Pre-printed safe handling instructions, 2.52 × 2.32 in (64 × 59 mm)	\$93.00
47743 ***	Extended text, 2.52 × 3.34 in (64 × 85 mm)	\$93.00
47745	Pre-printed safe handling instructions on top of label, 2.52 × 3.34 in (64 × 85 mm)	\$93.00
47753	Blank 2.52 × 1.46 in (64 × 37 mm)	\$93.00
47754	Blank 2.52 × 1.85 in (64 × 47 mm)	\$93.00
47762	Non-bar code, 2.52 × 2.32 in (64 × 37 mm)	\$93.00
105346	Blank 2.52 × 3.34 in (64 × 85 mm)	\$93.00

Label stock, please consult factory for case quantity pricing. Examples shown on page 915

Labels sold by the case-12 rolls per case.

\* Manuals and software programs can be downloaded at no charge from our website at [www.ricelake.com](http://www.ricelake.com)

\*\*\* Safe handling instructions can also be printed by scale

## Standard Features

- 84 one-touch preset keys, 168 presets (assign two items/key)
- Programmable function keys
- Blue alphanumeric LCD display (23 digits, 16 segments)
- Print speed of 3.9 in (100 mm) per second
- Convenient side-loading label feature
- TCP/IP 10/100 Base -T Ethernet
- USB port (for data backup and restore)
- Proportional tare
- Customer display
- NTEP Certified, Legal for Trade

## Specifications

### Capacity:

30 × 0.01 lb

### Weighing Resolution:

3,000 display divisions maximum

### Display Types:

LCD, blue alphanumeric (23 digits, 16 segments)

### Display Items:

Tare: Four digits  
Unit price: Five digits  
Total price: Six digits

### Preset Keys:

84 one-touch preset keys 168 presets (assign two items/key)

### Memory Capacity:

2 MB

### Communications:

TCP/IP 10/100 Base- T Ethernet

### Platter:

14.5 × 10.5 in (368 × 268 mm)

### Printing Speed:

3.9 in (100 mm) per second

### Printing:

Direct thermal 2.2 in (56 mm) (448 dot, 8 dot/mm)

### Label Size:

Width: 1.5 to 2.5 in (38 to 64 mm) {min}  
Length: 1.2 to 6.9 in (30 to 175 mm) {max}

### Label Roll:

Inside diameter: 1.6 in (40 mm)  
Outside diameter: 3.9 in (100 mm)

### Label Backing Paper:

Width: Up to 2.6 in (66 mm)

### Power Supply:

AC 100 to 240 V, 50/60 Hz

### Power Consumption:

Standby: 50 w  
In operation: 100 w

### Classification:

NTEP CC 07-005  
UL Listed

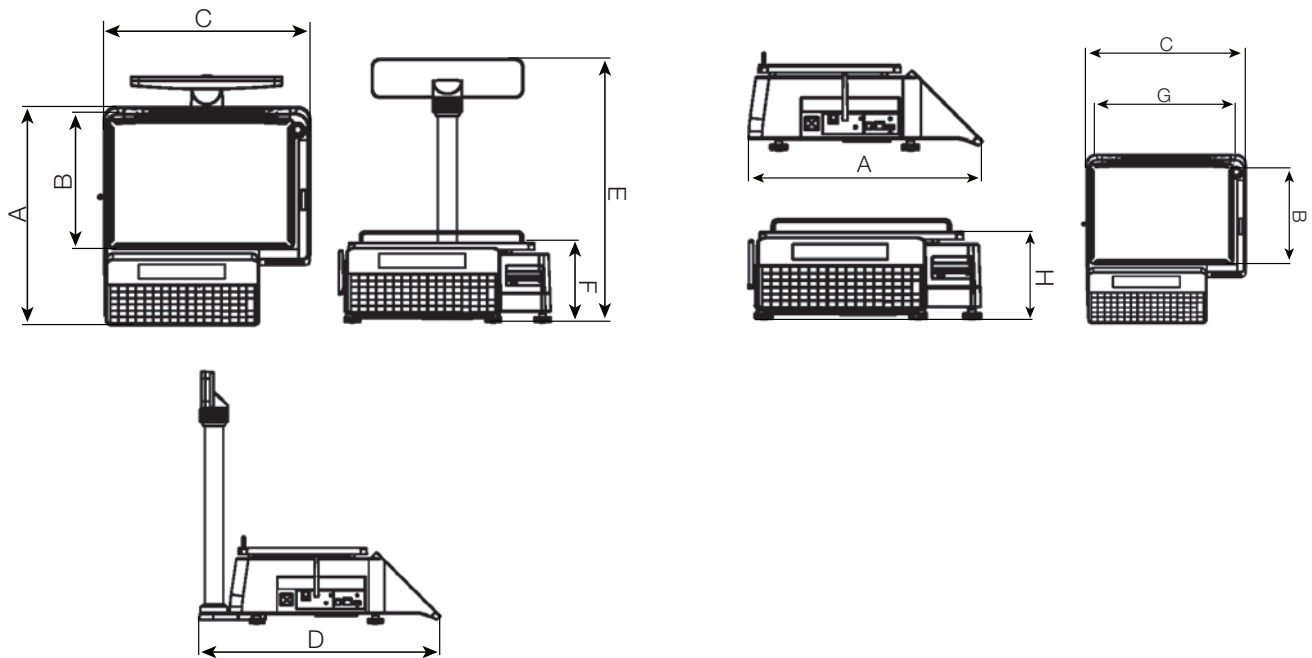
### Warranty:

One-year limited

# Ishida Astra II

Price Computing Scale with Printer

<b>Dimensions: Bench</b>
<b>Unit</b>
17.2 × 16.1 × 6.3 in (437 × 410 × 159 mm)
<b>Stainless Steel Platter</b>
10.5 × 14.6 in (268 × 370 mm)
<b>Dimensions: Pole</b>
<b>Unit</b>
17.2 × 16.1 × 6.3 in (437 × 410 × 159 mm)
<b>Stainless Steel Platter</b>
10.5 × 14.6 in (268 × 370 mm)
<b>Unit with Pole</b>
19.7 × 16.1 × 20.6 in (500 × 410 × 524 mm)



RETAIL SCALES

# Ishida Astra II Standard Label Formats

Titles on labels are pre-printed (SELL BY, PACKED ON, \$ LB, NET WT, TOTAL PRICE)

Maximum description text per label

Formats 1-5..... 1 name line + 2 ingredient lines

Format 6..... 1 name line + 6 ingredient lines

Format 7..... 1 name line + 17 ingredient lines

Format 8..... 1 name line + 6 ingredient lines

## Format 1

SELL BY	PACKED ON	\$/LB.	WEIGHT(LB.)
TOTAL PRICE(\$)			

### Example PN 47732

**60 x 44 STD.**  
Part #47732 800 Labels Per Roll

SELL BY	PACKED ON	\$/LB.	WEIGHT(LB.)
SEP28.15	SEP27.15	0.00	0.71

0 200000 200003 1000

**TOTAL PRICE(\$)**  
**\$0.00**

RICE LAKE/ISHIDA  
230 W. Coleman St. Rice Lake, WI (800) 472-6703

## Format 5

PACKED ON	\$/LB.	NET WT.	TOTAL PRICE
SELL BY			
TOTAL PRICE			

### Example PN 47762

**60 x 37 NON BAR CODE**  
Part #47762 1000 Labels Per Roll

PACKED ON	\$/LB.	NET WT.	TOTAL PRICE
SEP27.15	0.00	0.71	\$0.00

SELL BY  
SEP28.15

1000

RICE LAKE/ISHIDA  
230 W. Coleman St. Rice Lake, WI (800) 472-6703

## Format 2

SELL BY	PACKED ON	\$/LB.	NET WT.
TOTAL PRICE			

### Example PN 47733

**64 x 47 STD.**  
Part #47733 800 Labels Per Roll

SELL BY	PACKED ON	\$/LB.	NET WT.
SEP28.15	SEP27.15	0.00	0.71

0 200000 200003 1000

**TOTAL PRICE**  
**\$0.00**

RICE LAKE/ISHIDA  
230 W. Coleman St. Rice Lake, WI (800) 472-6703

## Format 6

SELL BY	PACKED ON	\$/LB.	NET WT.
TOTAL PRICE			

### Example PN 47735

**64 x 59 EXTENDED TEXT**  
Part #47735 625 Labels Per Roll

SELL BY	PACKED ON	\$/LB.	NET WT.
SEP28.15	SEP27.15	5.99	0.14

**TOTAL PRICE**  
**\$0.84**

RICE LAKE/ISHIDA  
230 W. Coleman St. Rice Lake, WI (800) 472-6703

## Format 3

SELL BY	PACKED ON	\$/LB.	NET WT. (LB.)
TOTAL PRICE \$			

### Example PN 47743

**64 x 85 SAFE HANDLING**  
Part #47743 425 Labels Per Roll

**SAFE HANDLING INSTRUCTIONS**  
THIS PRODUCT WAS PREPARED FROM INSPECTED AND PASSED MEAT AND/OR POULTRY. SOME FOOD PRODUCTS MAY CONTAIN BACTERIA THAT COULD CAUSE ILLNESS IF THE PRODUCT IS MISHANDLED OR COOKED IMPROPERLY. FOR YOUR PROTECTION, FOLLOW THESE SAFE HANDLING INSTRUCTIONS:

- KEEP REFRIGERATED OR FROZEN, THAW IN REFRIGERATOR OR MICROWAVE.
- KEEP RAW MEAT AND POULTRY SEPARATE FROM OTHER FOODS. WASH WORKING SURFACES (INCLUDING CUTTING BOARDS, UTENSILS, AND HANDS) IMMEDIATELY AFTER TOUCHING RAW MEAT OR POULTRY.
- COOK THOROUGHLY.
- KEEP HOT FOODS HOT. REFRIGERATE LEFTOVERS IMMEDIATELY OR DISCARD.

SELL BY	PACKED ON	\$/LB.	NET WT. (LB.)
SEP28.15	SEP27.15	0.00	0.71

0 200000 200003 1000

**TOTAL PRICE \$**  
**\$0.00**

RICE LAKE/ISHIDA  
230 W. Coleman St. Rice Lake, WI (800) 472-6703

## Format 7

SELL BY	PACKED ON	\$/LB.	NET WT. (LB.)
TOTAL PRICE \$			

### Example PN 47743

**64 x 85 EXTENDED TEXT**  
Part #47743 425 Labels Per Roll

SELL BY	PACKED ON	\$/LB.	NET WT. (LB.)
SEP28.15	SEP27.15	0.00	0.71

0 200000 200353

**TOTAL PRICE \$**  
**\$0.35**

RICE LAKE/ISHIDA  
230 W. Coleman St. Rice Lake, WI (800) 472-6703

## Format 4

**SAFE HANDLING INSTRUCTIONS**  
THIS PRODUCT WAS PREPARED FROM INSPECTED AND PASSED MEAT AND/OR POULTRY. SOME FOOD PRODUCTS MAY CONTAIN BACTERIA THAT COULD CAUSE ILLNESS IF THE PRODUCT IS MISHANDLED OR COOKED IMPROPERLY. FOR YOUR PROTECTION, FOLLOW THESE SAFE HANDLING INSTRUCTIONS:

- KEEP REFRIGERATED OR FROZEN, THAW IN REFRIGERATOR OR MICROWAVE.
- KEEP RAW MEAT AND POULTRY SEPARATE FROM OTHER FOODS. WASH WORKING SURFACES (INCLUDING CUTTING BOARDS, UTENSILS, AND HANDS) IMMEDIATELY AFTER TOUCHING RAW MEAT OR POULTRY.
- COOK THOROUGHLY.
- KEEP HOT FOODS HOT. REFRIGERATE LEFTOVERS IMMEDIATELY OR DISCARD.

NET WT (LBS)	PRICE/LB (\$)	DATE

**TOTAL PRICE**

### Example PN 47736

**64 x 59 SAFE HANDLING**  
Part #47736 625 Labels Per Roll

**SAFE HANDLING INSTRUCTIONS**  
THIS PRODUCT WAS PREPARED FROM INSPECTED AND PASSED MEAT AND/OR POULTRY. SOME FOOD PRODUCTS MAY CONTAIN BACTERIA THAT COULD CAUSE ILLNESS IF THE PRODUCT IS MISHANDLED OR COOKED IMPROPERLY. FOR YOUR PROTECTION, FOLLOW THESE SAFE HANDLING INSTRUCTIONS:

- KEEP REFRIGERATED OR FROZEN, THAW IN REFRIGERATOR OR MICROWAVE.
- KEEP RAW MEAT AND POULTRY SEPARATE FROM OTHER FOODS. WASH WORKING SURFACES (INCLUDING CUTTING BOARDS, UTENSILS, AND HANDS) IMMEDIATELY AFTER TOUCHING RAW MEAT OR POULTRY.
- COOK THOROUGHLY.
- KEEP HOT FOODS HOT. REFRIGERATE LEFTOVERS IMMEDIATELY OR DISCARD.

NET WT (LBS)	PRICE/LB (\$)	DATE
0.71	0.00	SEP27.15 SEP28.15

0 200000 200003 1000

**TOTAL PRICE**  
**\$0.00**

RICE LAKE/ISHIDA  
230 W. Coleman St. Rice Lake, WI (800) 472-6703

## Format 8

**SAFE HANDLING INSTRUCTIONS**  
THIS PRODUCT WAS PREPARED FROM INSPECTED AND PASSED MEAT AND/OR POULTRY. SOME FOOD PRODUCTS MAY CONTAIN BACTERIA THAT COULD CAUSE ILLNESS IF THE PRODUCT IS MISHANDLED OR COOKED IMPROPERLY. FOR YOUR PROTECTION, FOLLOW THESE SAFE HANDLING INSTRUCTIONS:

- KEEP REFRIGERATED OR FROZEN, THAW IN REFRIGERATOR OR MICROWAVE.
- KEEP RAW MEAT AND POULTRY SEPARATE FROM OTHER FOODS. WASH WORKING SURFACES (INCLUDING CUTTING BOARDS, UTENSILS, AND HANDS) IMMEDIATELY AFTER TOUCHING RAW MEAT OR POULTRY.
- COOK THOROUGHLY.
- KEEP HOT FOODS HOT. REFRIGERATE LEFTOVERS IMMEDIATELY OR DISCARD.

SELL BY	PACKED ON	\$/LB.	NET WT.
TOTAL PRICE			

### Example PN 47745

**64 x 85 REDUCED S.H.**  
Part #47745 425 Labels Per Roll

**SAFE HANDLING INSTRUCTIONS**  
THIS PRODUCT WAS PREPARED FROM INSPECTED AND PASSED MEAT AND/OR POULTRY. SOME FOOD PRODUCTS MAY CONTAIN BACTERIA THAT COULD CAUSE ILLNESS IF THE PRODUCT IS MISHANDLED OR COOKED IMPROPERLY. FOR YOUR PROTECTION, FOLLOW THESE SAFE HANDLING INSTRUCTIONS:

- KEEP REFRIGERATED OR FROZEN, THAW IN REFRIGERATOR OR MICROWAVE.
- KEEP RAW MEAT AND POULTRY SEPARATE FROM OTHER FOODS. WASH WORKING SURFACES (INCLUDING CUTTING BOARDS, UTENSILS, AND HANDS) IMMEDIATELY AFTER TOUCHING RAW MEAT OR POULTRY.
- COOK THOROUGHLY.
- KEEP HOT FOODS HOT. REFRIGERATE LEFTOVERS IMMEDIATELY OR DISCARD.

SELL BY	PACKED ON	\$/LB.	NET WT.
SEP28.15	SEP27.15	3.30	0.72

0 200000 202383

**TOTAL PRICE**  
**\$2.38**

RICE LAKE/ISHIDA  
230 W. Coleman St. Rice Lake, WI (800) 472-6703

RETAIL SCALES

# BenchPro™ BP-R

Multi-Purpose Digital Bench Scale



BP-R 10 × 10 with optional tabletop display pole PN 183103 and customer display PN 180901

Approvals



## Part Number/Price

Part #	Capacity	Dimensions	Est. Weight	Price
182374	15 × 0.005 lb (6 × 0.002 kg) / 15 lb × 0.1 oz	6 × 10 in	12 lb	\$730.00
182375	30 × 0.01 lb (15 × 0.005 kg) / 30 lb × 0.2 oz	6 × 10 in	12 lb	\$730.00
182376	15 × 0.005 lb (6 × 0.002 kg) / 15 lb × 0.1 oz	10 × 10 in	15 lb	\$730.00
182377	30 × 0.01 lb (15 × 0.005 kg) / 30 lb × 0.2 oz	10 × 10 in	15 lb	\$730.00
179733	15 × 0.005 lb (6 × 0.002 kg) / 15 lb × 0.1 oz	12 × 14 in	17 lb	\$572.50
179732	30 × 0.01 lb (15 × 0.005 kg) / 30 lb × 0.2 oz	12 × 14 in	17 lb	\$572.50

## Options/Accessories

Part #	Description	Est. Weight	Price
174783	Column bracket and post (12 × 14 scale only)	2 lb	\$50.00
180901	Second customer display, BenchPro BP-R no keyboard with 68 in cable	4 lb	\$72.00
174784	Second remote operator display, BenchPro BP-R with 68 in cable	4 lb	\$88.00
183103	16 in (H) tabletop display post for use with second display, customer or remote operator	4 lb	\$215.00
178501	USB-RS-232 serial adapter	1 lb	\$60.00
196179	Wedgelink cable for direct RS-232 output, 9600-N-8-1	1 lb	\$247.00



Operator display



Customer display (optional)

## Standard Features

- Large six-digit backlight LCD display with 1 in (29 mm) characters protected by heavy-duty tempered glass
- Powered USB HID point of sale interface – plug and play USB interface provides power and communications
- Nine-pin RS-232 interface for use with SMA, NCI and ECR
- Four AA alkaline battery operation for portability (BP-R 12 × 14 scale only) (batteries not included)
- Gravitational compensation allows for adjustment of factory calibration to meet your local gravity setting, non-approved

## Specifications

### Dynamic Response:

0 to 1,000d, 1.0 sec, maximum average  
1,000d +, 1.5 sec, maximum average

### Power:

In-line power supply  
Input: 100 to 240 VAC, +10% -15%, 3-wire w/ground  
Standard terminated with USA 3-prong plug  
Output: 12 V at 0.1 amps DC minimum  
Frequency: 50/60 Hz +/- 3 Hz, standard  
Approvals: UL, CE, EN, CUL

### Battery Power - BP 1214 Series Only:

Battery Type: Four AA alkaline batteries (not included)  
Approx Life: 250 hrs (sleep mode) or 80 hrs (continuous use) Backlight on 80 hrs (sleep mode) or 50 hrs (continuous use)

### Construction:

BP Series 0602 and 1010: Powder coat painted mild steel base plate and load bridge with stainless steel weight platter  
BP Series 1214: DieCast aluminum load bridge and base housing with stainless steel weight platter

### Display:

Minimum key press life of 500,000 cycles, ABS plastic housing with Zero, Gross/Brutto, Net, W1/W2/W3 annunciators

### Dimensions:

(L × W × H)  
5.25 × 2.21 × 1.09 in includes an 18 in cable with RJ-45 connection to scale

### RS-232 Cable:

10 ft DB 9-pin male to female, straight pass through and null modem

### USB Cable:

46 in (1,168 mm) A/B type USB cable

### USB HID:

USB 2.0 full speed; Vendor ID: 1C19;  
Product ID: 0002

### Cleaning:

Use of mild soap and water with a wet cloth

### Approvals:

NTEP CC# 17-002  
CE approved  
Canada Weights and Measures AM - 6050

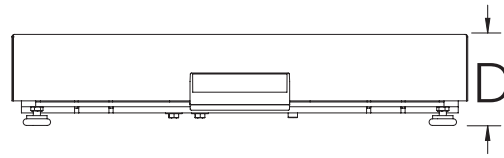
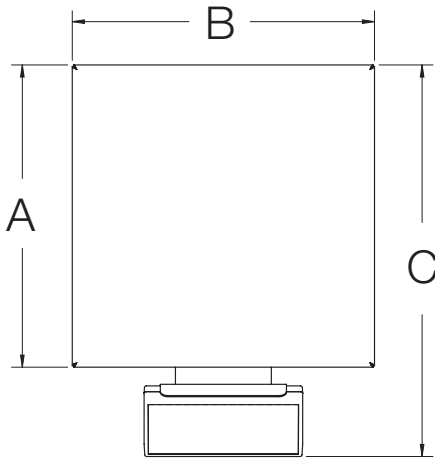
### Warranty:

Two-year limited

RETAIL SCALES

## Dimensions

	A	B	C	D
6 × 10 in	6.0 in	10.0 in	9.0 in	2.4 in
10 × 10 in	10.0 in	10.0 in	13.0 in	2.5 in
12 × 14 in	12.0 in	14.0 in	14.5 in	2.7 in



BP-R 12 × 14 scale



BP-R 06 × 10 scale



BP-R 12 × 14 scale with optional column bracket & post

# QuikSharp™

Sharpener



## Standard Features

- Tungsten carbide sharpener
- Ceramic honing rods
- Reversible blades

## Specifications

### Blades:

Tungsten carbide

### Dimensions:

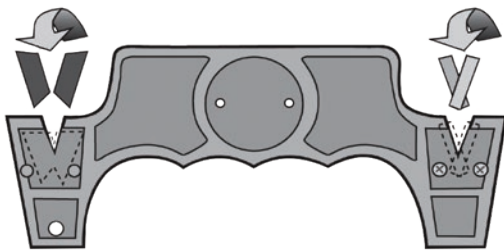
(L × W × H)  
6 × 0.75 × 2.5 in  
(152 × 19 × 64 mm)

### Honing Rods:

Ceramic

## Part Number/Price

Part #	Description	Weight	Price
78720	Intruder QuikSharp™ complete knife sharpening system	2.25 oz	\$13.00



## HOW TO REVERSE CARBIDE BLADES AND CERAMIC RODS

1. Remove screws to open sharpener.
2. Reverse blades or rods as shown.
3. Replace screws and reassemble sharpener.

Reversible blades have a total expected life of four to five years with normal use.

## Range: 5 lb and 10 lb

Stainless Steel / Avoirdupois Set

## ASTM

### Class 5

Set Range	Part #	Price	Optional Certificate Accredited
(3) 10 lb	12638	\$925.00	\$235.00
5 lb x (6) (30 lb)	12640	\$1,070.00	\$470.00

## Weight Set Contents

(3) 10 lb	(6) 5 lb
12638	12640
(3) 10 lb	(6) 5 lb
3 pcs. 30 lb set wt.	6 pcs. 30 lb set wt.



RETAIL SCALES