

Checkweighers

NEW
Pricing

Prices printed in this catalog may no longer be valid for all products. Please visit www.ricelake.com or call 800-472-6703 for current pricing.

TABLE OF CONTENTS

Checkweighers	303
CW-90	304
<i>Over/Under Checkweigher</i>	
CW-90X	306
<i>Over/Under Washdown Checkweigher</i>	

CHECKWEIGHERS

Product names, logos, brands and other trademarks featured or referred to within this publication are the property of their respective trademark holders.

CW-90

Over/Under Checkweigher



WeighVault
REVOLUTION
SCALE SOFTWARE

Specifications

Power AC:

Line Voltages: 115/230 VAC

Frequency:

50/60 Hz

Power Consumption:

1.5 A at 115 VAC (8 W)

0.75 A at 230 VAC (8 W)

Measurement Rate:

960, 480, 240, 120, 60, 30, 15, 7.5 per second

System Linearity:

±0.01% full scale

Digital I/O:

Four channels on CPU board

Circuit Protection:

RFI, EMI, ESD protection

Display:

Large 0.8 in, 14 segment, six digit high-intensity red LED display

Scale Frame:

AISI304L, straight line finish, Ra=45 ± 10

Scale Cover:

AISI304L, straight line finish, Ra=45 ± 10

Annunciators:

Designators for %, kg, gm, lb, oz, center of zero, G/B, N, T, PT, neg, motion

Temperature :

Certified: 14 °F to 104 °F (-10 °C to 40 °C)

Rating/Material:

IP66, stainless steel

Resolution:

Display: 100,000

Load Cell:

Aluminum, environmentally sealed

Warranty:

Two-year limited

Approvals:

Indicator:

NTEP 08-092, Class III/IIIL 10,000 d

Measurement Canada AM-5710, Class III 10,000 d

OIML R76/2006-GBI-10.02

EU Legal for Trade TC11569

CE Marked

cULus Listed

Scale:

NTEP 95-072, Class III 5,000 d

Measurement Canada AM-5082

NSF

Approvals



Measurement
Canada
Approved



EU
LEGAL
FOR TRADE
CERTIFIED



Standard Features

- Membrane keypad consisting of: zero, units, print, tare, over, under, ID, target, 0-9, clear, decimal, enter, menu, power
- 304 stainless steel
- PreVent™ breather vent
- Storage for up to 50 IDs
- Unit of measure: kg, g, lb, oz, lb/oz (lb/oz is not Legal for Trade)
- High-intensity LED display
- Battery backed time and date
- Two full-duplex RS-232 serial ports
- Configurable print formats
- Audit trail tracking
- Optional communications: Ethernet, USB or fiber optic
- Four configurable Digital I/O
- Auto-print capability
- Accumulator
- Factory calibrated

Scale

- Aluminum, environmentally sealed load cell
- 304 stainless steel
- Meets HACCP requirements
- Five-point overload protection

Part Number/Price

Part #	Capacity	Platform Dimensions	Column Height	Est. Weight	Price
115 VAC					
105957 [†]	5 × 0.001 lb (2.5 × 0.0005 kg) or (80 × 0.02 oz)	10 × 10 × 4.25 in	12 in	29 lb	\$1,885.00
105958 [†]	10 × 0.002 lb (5 × 0.001 kg) or (160 × 0.05 oz)	10 × 10 × 4.25 in	12 in	29 lb	\$1,885.00
105959 [†]	25 × 0.005 lb (10 × 0.002 kg) or (400 × 0.1 oz)	10 × 10 × 4.25 in	12 in	29 lb	\$1,885.00
105960 [†]	25 × 0.005 lb (10 × 0.002 kg) or (400 × 0.1 oz)	12 × 12 × 4.25 in	12 in	33 lb	\$1,980.00
105961 [†]	50 × 0.01 lb (25 × 0.005 kg) or (800 × 0.2 oz)	12 × 12 × 4.25 in	12 in	33 lb	\$1,980.00
105962 [†]	100 × 0.02 lb (50 × 0.01 kg) or (1,600 × 0.5 oz)	12 × 12 × 4.25 in	12 in	33 lb	\$1,980.00
230 VAC					
118891 [†]	2.5 × 0.0005 kg (5 × 0.001 lb) or (80 × 0.02 oz)	10 × 10 × 4.25 in	12 in	29 lb	\$1,885.00
118892 [†]	5 × 0.001 kg (10 × 0.002 lb) or (160 × 0.05 oz)	10 × 10 × 4.25 in	12 in	29 lb	\$1,885.00
118893 [†]	10 × 0.002 kg (25 × 0.005 lb) or (400 × 0.1 oz)	10 × 10 × 4.25 in	12 in	29 lb	\$1,885.00
118895 [†]	10 × 0.002 kg (25 × 0.005 lb) or (400 × 0.1 oz)	12 × 12 × 4.25 in	12 in	33 lb	\$1,980.00
118896 [†]	25 × 0.005 kg (50 × 0.01 lb) or (800 × 0.2 oz)	12 × 12 × 4.25 in	12 in	33 lb	\$1,980.00
118897 [†]	50 × 0.01 kg (100 × 0.02 lb) or (1,600 × 0.5 oz)	12 × 12 × 4.25 in	12 in	33 lb	\$1,980.00
230 VAC CE marked/OIML approved					
106123 ^{††}	3 × 0.001 kg	254 × 254 × 108 mm	305 mm	13.2 kg	\$1,885.00
106124 ^{††}	6 × 0.002 kg	254 × 254 × 108 mm	305 mm	13.2 kg	\$1,885.00
106125 ^{††}	15 × 0.005 kg	254 × 254 × 108 mm	305 mm	13.2 kg	\$1,885.00
106126 ^{††}	15 × 0.005 kg	305 × 305 × 108 mm	305 mm	15 kg	\$1,980.00
106127 ^{††}	30 × 0.01 kg	305 × 305 × 108 mm	305 mm	15 kg	\$1,980.00
106128 ^{††}	60 × 0.02 kg	305 × 305 × 108 mm	305 mm	15 kg	\$1,980.00



Options/Accessories

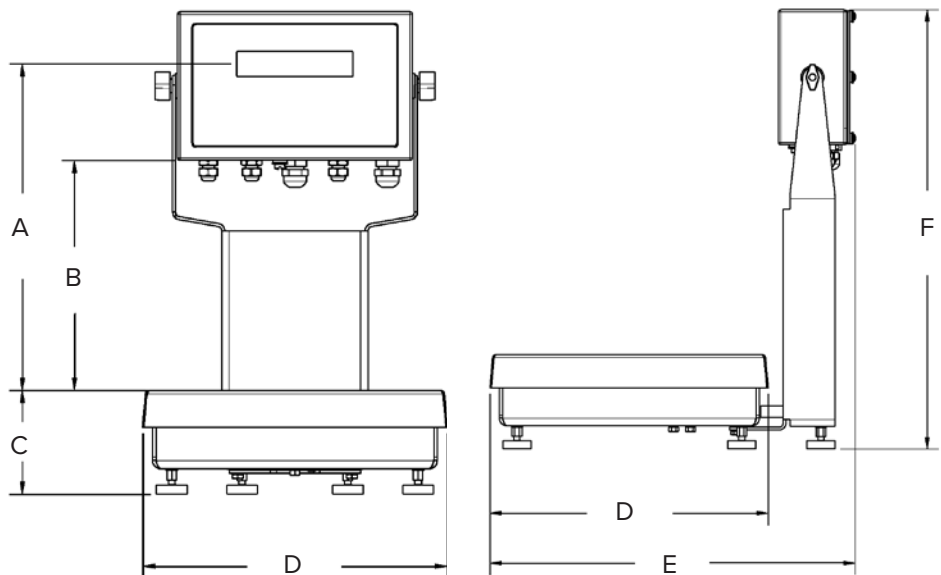
Part #	Description	Price
200578	Ethernet TCP/IP and cable with attached cord grip	\$595.00
77142	Ethernet TCP/IP card	\$545.00
206272	Wireless LAN card RS232/Wi-Fi 802.11 a/b	\$610.00
171968	Firmware download cable	\$39.00
78026	Fiber-optic, duplex cable 100 ft	\$185.00
80892	Fiber-optic cutter	\$15.00
117358	WeighVault™ (requires part number 200578, 77142 or 206272)	\$265.00

Note: 1 in=25.4 mm

Dimensions

CW-90		
	10 × 10 in	12 × 12 in
A	13.25 in	13.25 in
B	9.25 in	9.25 in
C	4.25 in	4.25 in
D	10.25 in	12.25 in
E	14.25 in	16.25 in
F	19.50 in	19.50 in

Note: 1 in=25.4 mm



CHECKWEIGHERS

CW-90X

Over/Under Washdown Checkweigher



Specifications

Power AC:

Line Voltages: 115/230 VAC

Frequency:

50/60 Hz

Power Consumption:

1.5 A at 115 VAC (8 W)

0.75 A at 230 VAC (8 W)

Measurement Rate:

960, 480, 240, 120, 60, 30, 15, 7.5 per second

System Linearity:

±0.01% full scale

Digital I/O:

Four channels on CPU board

Circuit Protection:

RFI, EMI, ESD protection

Display:

Large 0.8 in, 14 segment, six digit high-intensity red LED display

Scale Frame:

AISI304L, straight line finish, Ra=45 ± 10

Scale Cover:

AISI304L, straight line finish, Ra=45 ± 10

Annunciators:

Designators for %, kg, gm, lb, oz, center of zero, G/B, N, T, PT, neg, motion

Temperature:

Certified: 14 °F to 104 °F (-10 °C to 40 °C)

Rating/Material:

IP69K, stainless steel

Resolution:

Display: 100,000

Load Cell:

IP69K, hermetically sealed
Stainless steel

Warranty:

Three-year limited

Approvals:

Indicator:

NTEP 08-092, Class III/IIIL 10,000 d

Measurement Canada AM-5710, Class III 10,000 d

OIML R76/2006-GBI-10.02

EU Legal for Trade TC11569

CE Marked

cULus Listed

Scale:

NTEP 95-072, Class III 5,000 d

Measurement Canada AM-5082

NSF

Approvals



Measurement
Canada
Approved



EU
LEGAL
FOR TRADE
CERTIFIED



Standard Features

- Piezo keypad : zero, units, print, tare, over, under, ID, target, enter, menu, power
- 304 stainless steel
- PreVent™ breather vent
- Storage for up to 50 IDs
- Unit of measure: kg, g, lb, oz, lb/oz (lb/oz is not Legal for Trade)
- High-intensity LED display
- Battery backed time and date
- Two full-duplex RS-232 serial ports
- Configurable print formats
- Audit trail tracking
- Optional communications: Ethernet, USB or fiber optic
- Four configurable Digital I/O
- Auto print capability
- Accumulator
- Factory calibrated

Scale Base

- 304 stainless steel
- Meets HACCP requirements
- Five point overload protection

Part Number/Price

Part #	Capacity	Platform Dimensions	Column Height	Est. Weight	Price
115 VAC					
105963†	5 × 0.001 lb (2.5 × 0.0005 kg) or (80 × 0.02 oz)	10 × 10 × 4.25 in	12 in	29lb	\$2,525.00
105965†	10 × 0.002 lb (5 × 0.001 kg) or (160 × 0.05 oz)	10 × 10 × 4.25 in	12 in	29lb	\$2,525.00
105966†	25 × 0.005 lb (10 × 0.002 kg) or (400 × 0.1 oz)	10 × 10 × 4.25 in	12 in	29lb	\$2,525.00
105967†	25 × 0.005 lb (10 × 0.002 kg) or (400 × 0.1 oz)	12 × 12 × 4.25 in	12 in	33lb	\$2,620.00
105968†	50 × 0.01 lb (25 × 0.005 kg) or (800 × 0.2 oz)	12 × 12 × 4.25 in	12 in	33lb	\$2,620.00
105969†	100 × 0.02 lb (50 × 0.01 kg) or (1,600 × 0.5 oz)	12 × 12 × 4.25 in	12 in	33lb	\$2,620.00
230 VAC					
118899†	2.5 × 0.0005 kg (5 × 0.001 lb) or (80 × 0.02 oz)	10 × 10 × 4.25 in	12 in	29lb	\$2,525.00
118900†	5 × 0.001 kg (10 × 0.002 lb) or (160 × 0.05 oz)	10 × 10 × 4.25 in	12 in	29lb	\$2,525.00
118901†	10 × 0.002 kg (25 × 0.005 lb) or (400 × 0.1 oz)	10 × 10 × 4.25 in	12 in	29lb	\$2,525.00
118902†	10 × 0.002 kg (25 × 0.005 lb) or (400 × 0.1 oz)	12 × 12 × 4.25 in	12 in	33lb	\$2,620.00
118903†	25 × 0.005 kg (50 × 0.01 lb) or (800 × 0.2 oz)	12 × 12 × 4.25 in	12 in	33lb	\$2,620.00
118904†	50 × 0.01 kg (100 × 0.02 lb) or (1,600 × 0.5 oz)	12 × 12 × 4.25 in	12 in	33lb	\$2,620.00
230 VAC CE marked/OIML approved					
106129††	3 × 0.001 kg	254 × 254 × 108 mm	305 mm	13.2 kg	\$2,525.00
106130††	6 × 0.002 kg	254 × 254 × 108 mm	305 mm	13.2 kg	\$2,525.00
106131††	15 × 0.005 kg	254 × 254 × 108 mm	305 mm	13.2 kg	\$2,525.00
106132††	15 × 0.005 kg	305 × 305 × 108 mm	305 mm	15 kg	\$2,620.00
106133††	30 × 0.01 kg	305 × 305 × 108 mm	305 mm	15 kg	\$2,620.00
106134††	60 × 0.02 kg	305 × 305 × 108 mm	305 mm	15 kg	\$2,620.00



Options/Accessories

Part #	Description	Price
200578	Ethernet TCP/IP and cable with attached cord grip	\$595.00
77142	Ethernet TCP/IP card	\$545.00
206272	Wireless LAN card RS232/Wi-Fi 802.11 a/b	\$610.00
171968	Firmware download cable	\$39.00
78026	Fiber-optic, duplex cable 100 ft	\$185.00
80892	Fiber-optic cutter	\$15.00
117358	WeighVault™ (requires part number 200578, 77142 or 206272)	\$265.00

Dimensions

CW-90X		
	10 × 10 in	12 × 12 in
A	13.25 in	13.25 in
B	9.25 in	9.25 in
C	4.25 in	4.25 in
D	10.25 in	12.25 in
E	14.25 in	16.25 in
F	19.50 in	19.50 in

Note: 1 in=25.4 mm

