

REMOTE DISPLAYS

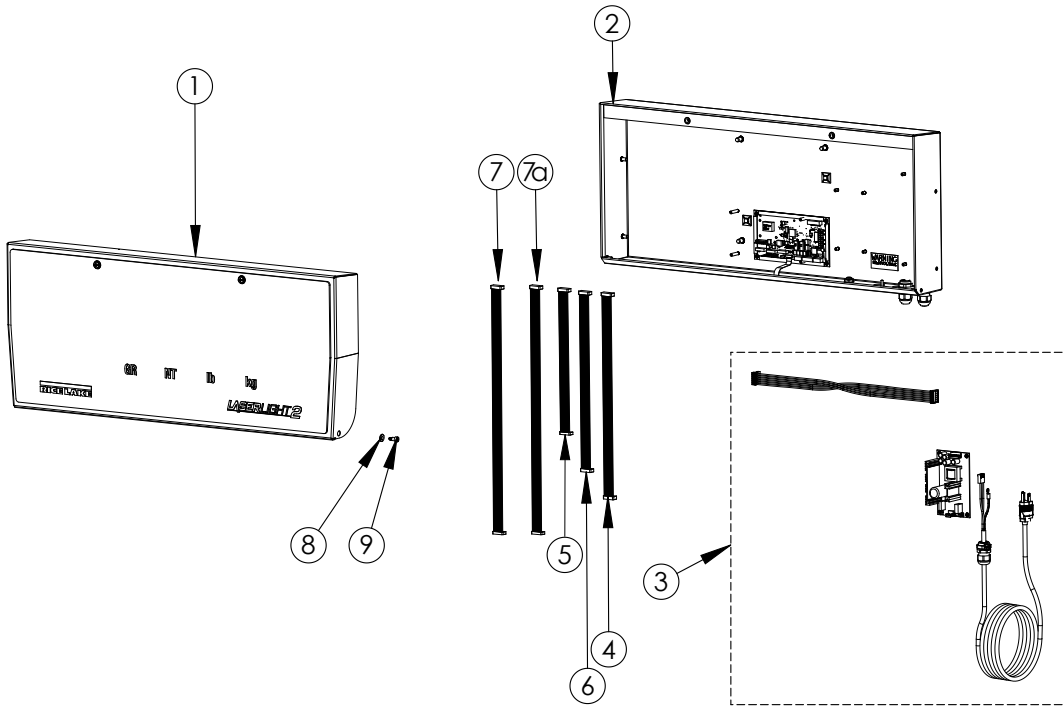
LaserLight® 2

4 Inch, 6 Inch, 4 Inch Stop/Go

Part Number/Price

Ref#	Part#	Description	4"	6"	4" Stop/Go	Price
1	173599	Front panel assembly see page 262				Consult
2	173146	Cabinet assembly see page 259				Consult
3	174488	Power kit assembly see page 260				Consult
4	169391	Cable, ribbon 16 in			1X	Consult
5	76224	Cable, ribbon 8 in		2X		Consult
6	76225	Cable, ribbon 14 in	3X	1X	1X	Consult
7	104284	Cable, ribbon 23 in			1X	Consult
7a	104283	Cable, CPU to traffic light 23 in			1X	Consult
8	173144	Washer, black nylon	•	•	•	Consult
9	178043	U-Nut, 1/4-20 tapped barrel free spin	•	•	•	Consult
Components of Parts Kit #92056 (used in all 3 models)						
	15631	Cable tie, 3 in nylon				Consult
	66730	Filter, cylindrical EMI				Consult
	76513	CONN, 4 Pos screw terminal				Consult
	76514	CONN, 6 Pos screw terminal				Consult

Remote Displays



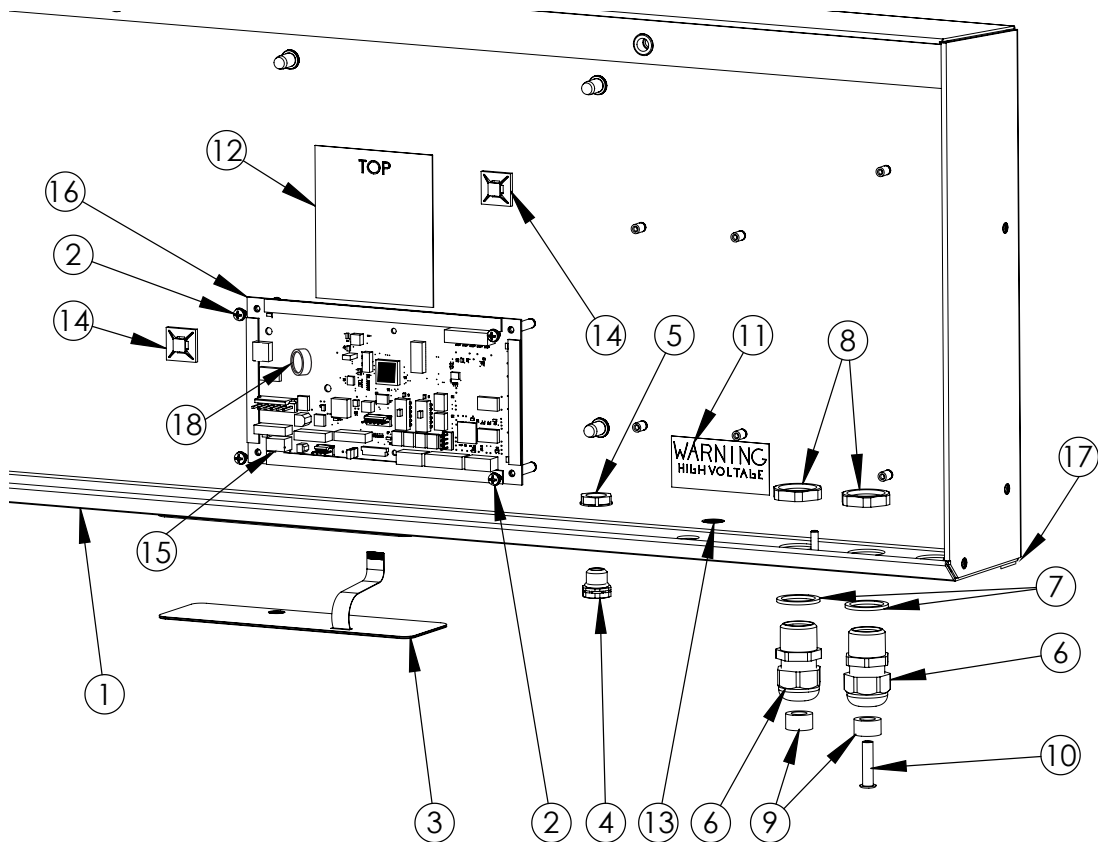
LaserLight2
Parts Illustration

REMOTE DISPLAYS
LaserLight® 2
 4 Inch, 6 Inch, 4 Inch Stop/Go

Remote Displays

Part Number/Price

Ref#	Part#	Description	4"	6"	4" Stop/Go	Price
—	181411	Cabinet		•	•	Consult
	173597	Cabinet	•			Consult
1	181411	Rear panel assembly		•	•	Consult
	181408	Rear panel assembly	•			Consult
2	14839	Screw, Mach 6-32NC x 1/4	•	•	•	Consult
3	166345	Overlay	•	•	•	Consult
4	88733	Vent, breather sealed	•	•	•	Consult
5	88734	Nut, breather vent	•	•	•	Consult
6	15628	Cord Grip, 1/2 NPT black	•	•	•	Consult
7	30376	Seal Ring, nylon 1/2 NPT	•	•	•	Consult
8	15630	Locknut, 1/2 NPT black	•	•	•	Consult
9	15665	Gland, Reducing 1/2 NPT	•	•	•	Consult
10	19538	Post Plug, slotted black	•	•	•	Consult
11	16861	Label, warning high	•	•	•	Consult
12	177093	Label, serial comm pin out	•	•	•	Consult
13	16892	Label, ground protective	•	•	•	Consult
14	15650	Mount, cable tie 3/4 in	•	•	•	Consult
15	177369	Ambient Light Sensor	•	•	•	Consult
16	178869	Board, CPU LaserLight 2 - blue board	•	•	•	Consult
17	26408	Bumper, self adhesive 3/4 rubber	•	•	•	Consult
18	69291	Battery, 3V coin lithium	•	•	•	Consult



LaserLight2
 Cabinet Assembly

REMOTE DISPLAYS

LaserLight® 2

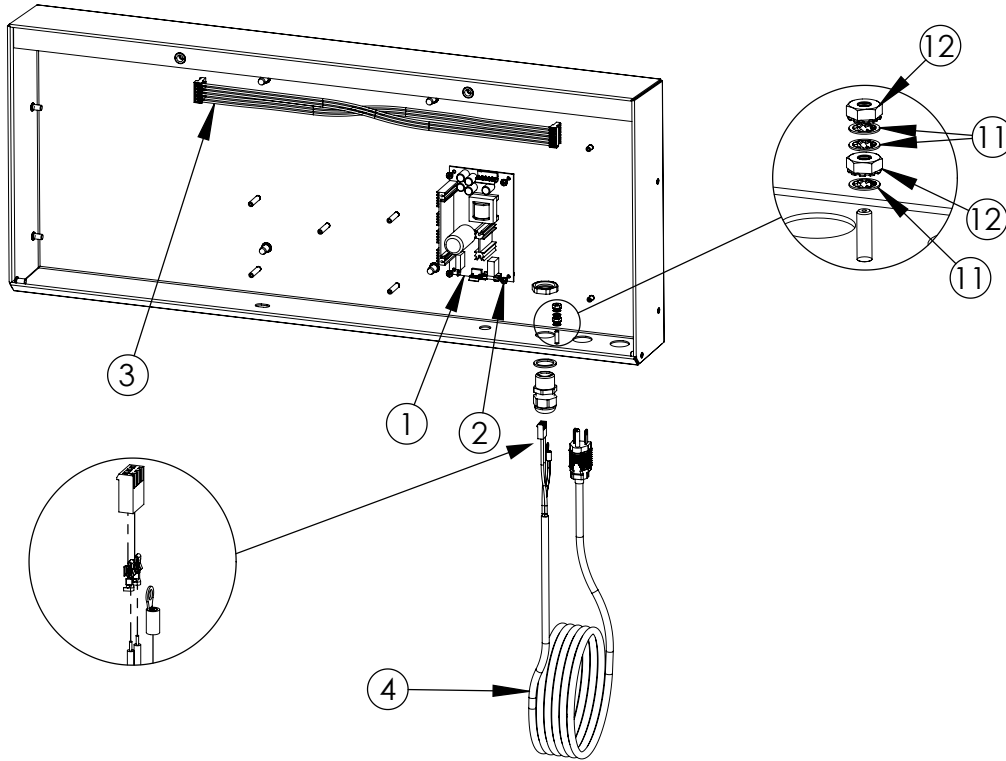
4 Inch, 6 Inch, 4 Inch Stop/Go

Remote Displays



Part Number/Price

Ref#	Part#	Description	Price
1	175551	Power supply, 12V board	Consult
	174488	Power supply, UL	Consult
2	14839	Screw, Mach 6-32NC x 1/4	Consult
3	169272	Cable assembly, power supply	Consult
4	169520	Power cord assembly remote	Consult
	175475	Power cord assembly, GFCI	Consult
11	15134	Washer, Lock No. 8 Type A	Consult
12	14626	Nut, Kep 8-32NC HEX	Consult



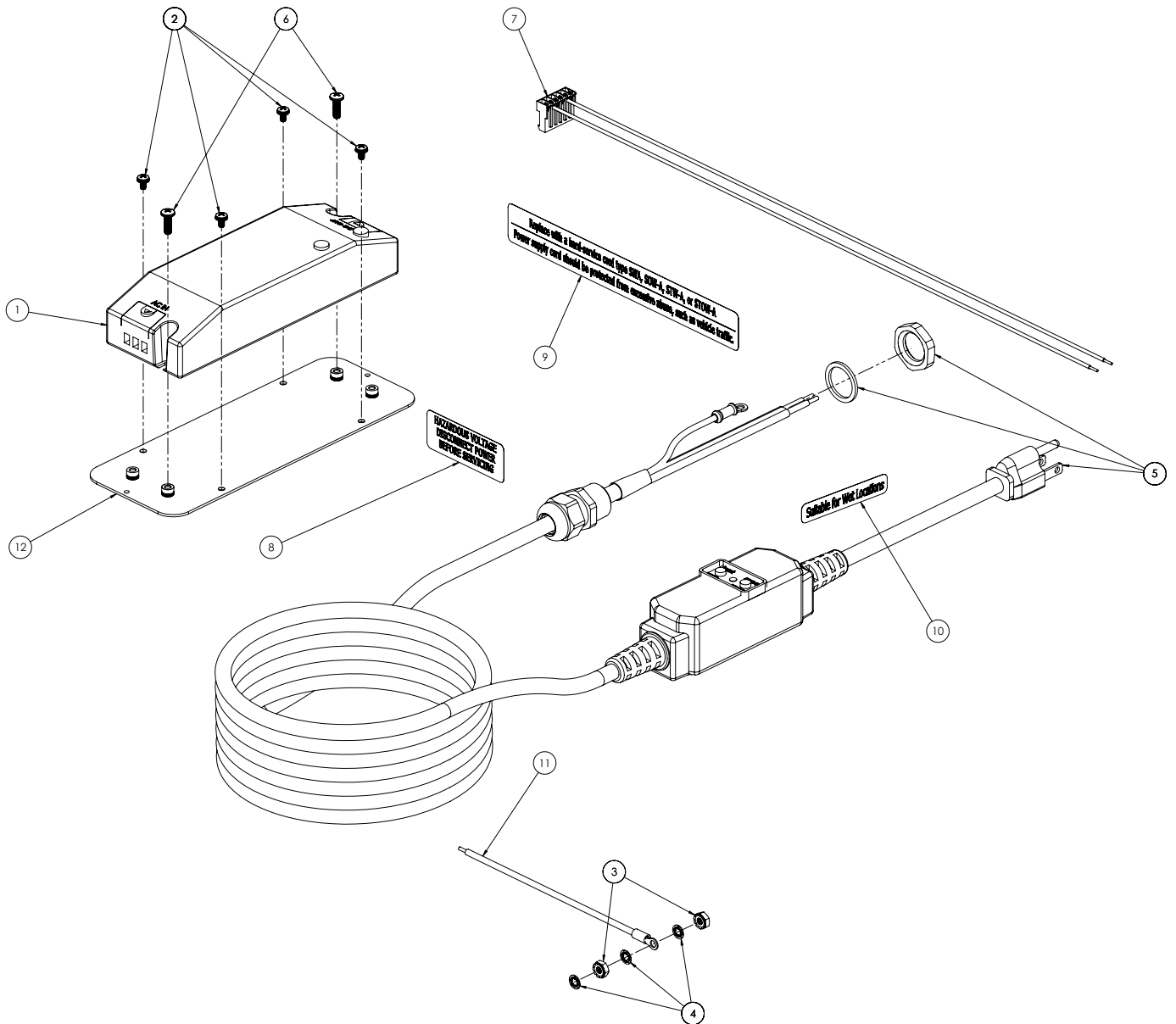
Power Kit Assembly

REMOTE DISPLAYS
LaserLight® 2
 4 Inch, 6 Inch, 4 Inch Stop/Go

Remote Displays

Part Number/Price

Ref#	Part#	Description	Price
1	175563	Power Supply, 12V 60W board	Consult
2	14839	Screw, Mach 6-32NC x 1/4	Consult
3	14626	Nut, Kep #8-32NC Hex	Consult
4	15132	Washer, lock NO 8 Type A	Consult
5	175475	Power Cord Assembly, GFCI	Consult
6	49953	Screw, Mach 8-32NC x 1/2 PPH SST	Consult
7	175476	Cable assembly, Power supply to CPU	Consult
8	176246	Label, Hazardous voltage	Consult
9	167323	Label, Replace cord type	Consult
10	176248	Label, Suitable for wet locations	Consult
11	36719	Wire assembly, Ground 6 in with #8 eye	Consult
12	174486	Bracket, power supply adapter	Consult



Power Kit Assembly UL

REMOTE DISPLAYS

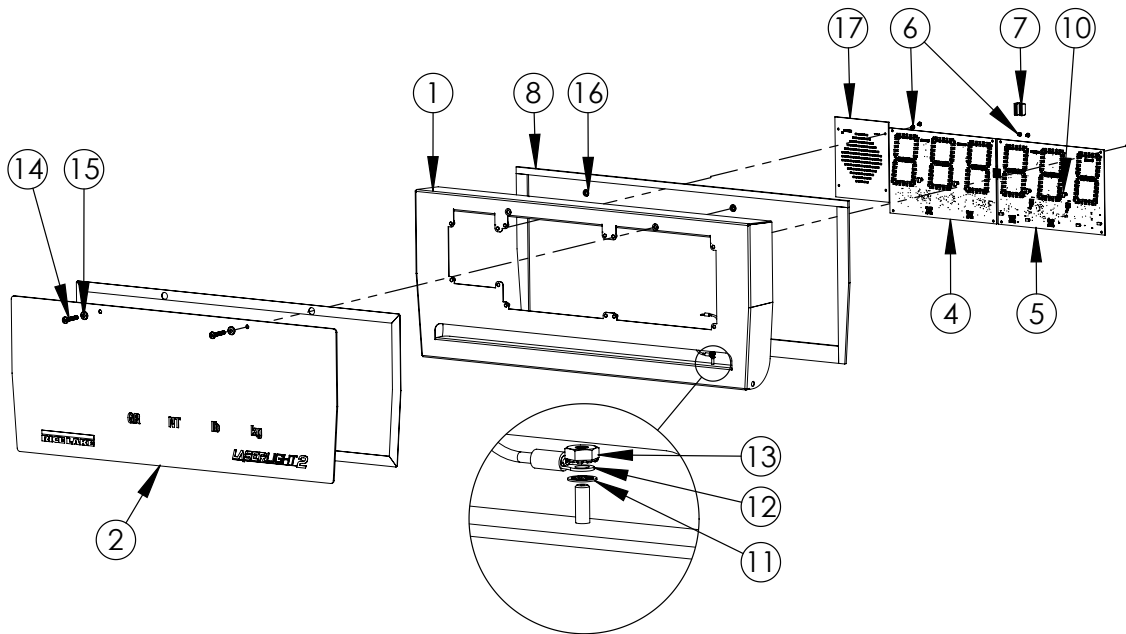
LaserLight® 2

4 Inch, 6 Inch, 4 Inch Stop/Go

Remote Displays



Ref#	Part#	Description	4"	6"	4" Stop/Go	Price
1	181412	Front Cabinet, 31 in			•	Consult
	181410	Front Cabinet, 31 in		•		Consult
	181409	Front Cabinet, 22 in	•			Consult
2	173824	Lens, display			•	Consult
	169715	Lens, display		•		Consult
	167134	Lens, display	•			Consult
4	167401	Board, Display primary	•		•	Consult
	168033	Board, Display primary		•		Consult
5	167402	Board, Display secondary	•		•	Consult
	168034	Board, Display secondary		•		Consult
6	14839	Screw, Mach 6-32NC x 1/4	•	•	•	Consult
7	76226	Cable, Ribbon 5 in long	•	•		Consult
8	170174	Gasket		•	•	Consult
	167238	Gasket	•			Consult
10	175212	Standoff, Plastic press-in	•	•	•	Consult
11	15134	Washer, Lock NO 8 Type A	•	•	•	Consult
12	15601	Ground Wire, 6 in/w No. 8	•	•	•	Consult
13	14626	Nut, Kep 8-32NC HEX	•	•	•	Consult
14	175781	Machine Screw, 1/4-20 x 1-1/2	•	•	•	Consult
15	166634	Washer, 1/4 in high pressure sealing	•	•	•	Consult
16	166653	Retainer, Pushnut bolt 1/4	•	•	•	Consult
17	103651	Board Assy, LED traffic			•	Consult



Front Panel Assembly