

LaserLight3™

Color Messaging Remote Display



Standard Features

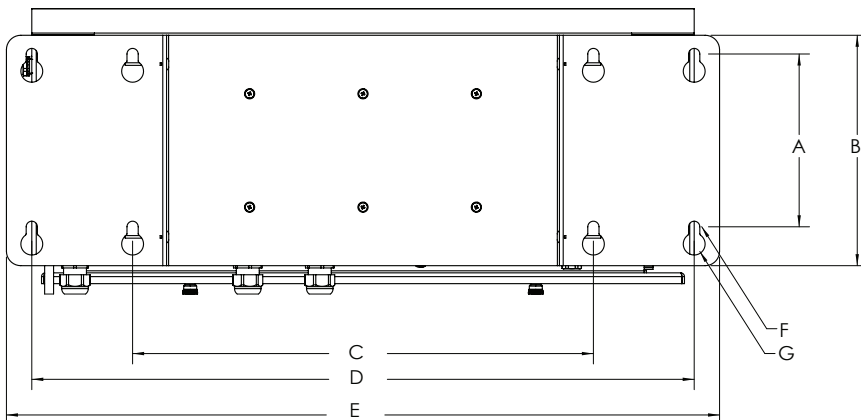
- Vibrant 128- by 32-pixel LED color display with non-glare lens; high-intensity digits up to 5 inches tall
- Color commands change background and foreground text
- Auto Learn identifies and interprets the source weight data string for maximum compatibility with a wide range of indicators
- Versatile layout choices include mirror mode, 1-line, 2-line and quadrant format
- Dynamic messaging views can scroll, slide or flash
- Display stop/go light symbols/arrows with digits up to 4 inches tall
- Selectable time/date when weight is at zero
- Integrated weathertight keypad for sending configurable scale commands to the indicator
- Durable IP66 enclosure with Gore-Tex® breather vent to inhibit internal moisture
- RS-232, RS-422, 20 mA and Ethernet TCP/IP
- Mounting options include VESA, flange and pole configurations

Options

- Wireless LAN, Wi-Fi interface 802.11 a/b/g/n
- Wireless interface, pair of ConnexLink radios and mount
- Pole mount kit for 4 to 8 inch pole
- VESA kit for 2 to 6-inch pole
- Sunshade visor, 8-inch painted steel

Dimensions

| LaserLight3 | | | |
|-------------|-------------------|---|--------------------|
| A | 6.00 in (152 mm) | E | 25.00 in (6.35 mm) |
| B | 8.00 in (203 mm) | F | 0.39 in (10 mm) |
| C | 16.00 in (406 mm) | G | 0.76 in (19 mm) |
| D | 23.00 in (584 mm) | | |



Specifications

Power Consumption:

AC voltages: 100 to 240 VAC; 50/60 Hz
120 watt (120 VAC)
95 watt (12 VDC)

Output Interface:

Ethernet TCP/IP, independently configurable echo port

Input Data Format:

Baud Rate: 1200, 2400, 4800, 9600, 19200, 38400, 57600 and 115200 self-learning or configurable

Update:

Continuous or out-of-motion modes
Message interrupt mode

Digital I/O:

Four I/O read or set
5 V logic

Communication Ports:

Ethernet TCP/IP, RS-232, RS-485,
20 mA current loop

Character Format:

7 or 8 data bits; even, odd, or no parity;
1 or 2 stop bits

Maximum Viewing Distance:

4-inch character: 100 ft (30 m)
5-inch character: 150 ft (46 m)

Viewing Angle:

160°

Display:

Bright, outdoor color LED lamps
128 × 32-pixel, 4 mm pitch
Decimal or comma indication
Weight display with units and mode
Message display 1, 2 or 4 lines
Stop/go and directional arrow

Keys/Buttons:

Integrated keypad

Time:

Software enable, 12- or 24-hour format

Date:

Software enable, US or ISO format

Temperature:

Operating: -40 °F to 120 °F (-40 °C to 49 °C)

Rating/Material:

IP66 weathertight
Mild steel, powder-coated

Weight:

Without wall mount: 14.19 lb (7.81 kg)
With wall mount: 20.48 lb (10.66 kg)
With sunshade and wall mount: 29.79 lb (14.88 kg)

Warranty:

Two-year limited

Part Number/Price

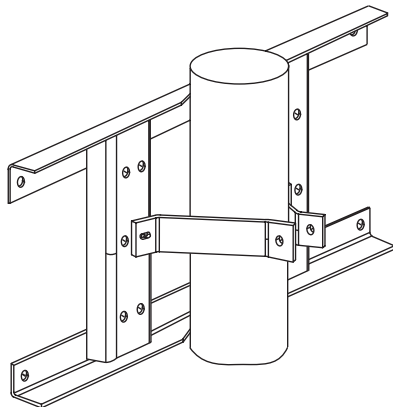
| Part # | Description | Est. Weight | Price |
|-------------------------|--|-------------|---------|
| Remote Display | | | |
| 214825 | LaserLight3 color 5-in (127 mm) messaging remote display | 20 lb | Consult |
| Weight Indicator | | | |
| 205780 | LaserLight3 large display weight indicator | 20 lb | Consult |

Options/Accessories

| Part # | Description | Price |
|--------|--|---------|
| 224940 | Cantilever side-mount, mild steel, allows display to be turned for viewing, yellow powder coated finish. | Consult |
| 212745 | Pole mount kit, VERSA flat-wall for 2 to 6 in diameter pole, 6 fasteners (M4 × 8 mm) | Consult |
| 75856 | Pole mount kit, 4 in flange style, 24 in wide frame for use with 4 to 8 in diameter pole | Consult |
| 208807 | Sunshade, 8 in | Consult |
| 209118 | Wireless LAN, RS-232/Wi-Fi interface 802.11 a/b/g/n XPico module | Consult |
| 212753 | RF interface, paired ConnexLink radios transceiver kit and mount | Consult |



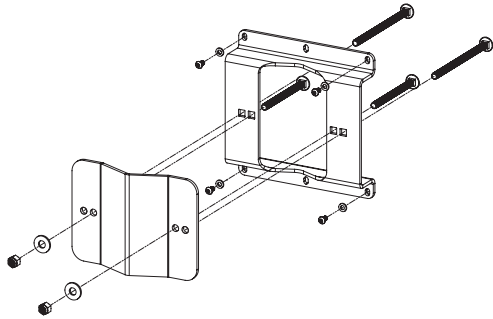
Pictured with optional sunshade visor and legacy mode stop/go



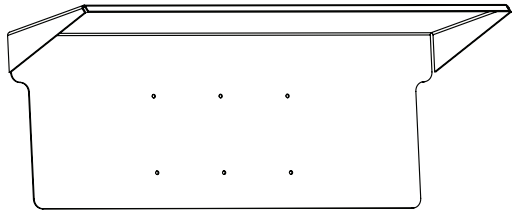
*Flange pole-mount kit
PN 75856*



Cantilever side-mount pictured with optional VESA pole-mount kit



*VESA pole-mount kit
PN 212745*



*Sunshade
PN 208807*

**REMOTE DISPLAYS /
SCOREBOARD**