

MSI-4300
Port-A-Weigh Plus

DIGITAL CRANE SCALE



RICE LAKE[®]
WEIGHING SYSTEMS

To be the best by every measure[®]

800-874-4320

www.ricelake.com/msi

MSI-4300 PORT-A-WEIGH PLUS

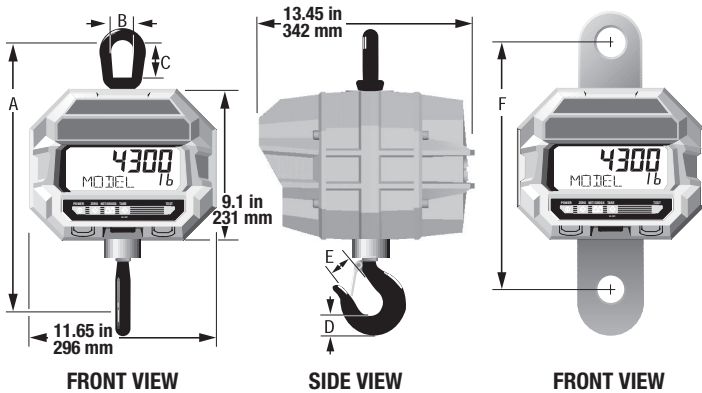
DIGITAL CRANE SCALE



The Port-A-Weigh Plus is world renowned for safe and reliable use in heavy-duty industrial crane scale applications. No other crane scale compares with the advanced features and benefits provided by the MSI-4300.

Port-A-Weigh Plus includes an extra large 1.6 inch (40 mm) alphanumeric LCD display with adjustable backlighting providing user-friendly visibility from a distance in day or night conditions. Full digital calibration and self-diagnostic circuitry ensure simple and cost-effective maintenance over a long and useful product life. All electronics are securely shock mounted in a robust NEMA 4/IP66 enclosure including dual O-ring sealing gaskets to ensure watertight integrity in washdown and marine applications. The Port-A-Weigh Plus is the ideal crane scale for all heavy-duty applications in nearly any industrial environment.

Specifications and Dimensions



Note: 50/70/100,000 lb models come standard with top shackle and bottom swivel hook.

| Capacity | Resolution** | A* | B* | C* | D* | E* | F | Hook | Eye Nut or Shackle | Approx. Shipping Weight |
|-----------------------------------|------------------|--------------------|---------------------|--------------------|--------------------|--------------------|--------------------|---------------------|--------------------------|-------------------------|
| 500 lb 250 kg | 0.2 lb 0.1 kg | 18.3 in 465 mm | 2.25 in 57.1 mm | 3.06 in 77.7 mm | 1.44 in 37.0 mm | 1.41 in 36.0 mm | — | 5 ton alloy swivel | CR #7 eye nut | 53 lb 24 kg |
| 2,000 lb 1,000 kg | 1 lb 0.5 kg | 18.3 in 465 mm | 2.25 in 57.1 mm | 3.06 in 77.7 mm | 1.44 in 37.0 mm | 1.41 in 36.0 mm | — | 5 ton alloy swivel | CR #7 eye nut | 53 lb 24 kg |
| 5,000 lb 2,500 kg | 1 lb 0.5 kg | 20.5 in 521 mm | 2.50 in 64.0 mm | 3.50 in 89.0 mm | 1.81 in 46.0 mm | 1.69 in 42.9 mm | — | 7 ton alloy swivel | CR #8 eye nut | 62 lb 28 kg |
| 10,000 lb 5,000 kg | 2 lb 1 kg | 20.5 in 521 mm | 2.50 in 64.0 mm | 3.50 in 89.0 mm | 1.81 in 46.0 mm | 1.69 in 42.9 mm | — | 7 ton alloy swivel | CR #8 eye nut | 62 lb 28 kg |
| 20,000 lb 10,000 kg | 5 lb 2 kg | 28.5 in 724 mm | 4.00 in 101.6 mm | 6.25 in 159 mm | 2.62 in 66.5 mm | 2.41 in 61.2 mm | — | 15 ton alloy swivel | CR #11 eye nut | 105 lb 47 kg |
| 30,000 lb 15,000 kg | 10 lb 5 kg | 30.0 in 762 mm | 4.00 in 101.6 mm | 6.25 in 159 mm | 3.00 in 76.2 mm | 3.19 in 81.0 mm | — | 22 ton alloy swivel | CR #11 eye nut | 125 lb 55 kg |
| 50,000 lb 25,000 kg*** | 10 lb 5 kg | 41.0 in 1041 mm | 5.00 in 127 mm | 6.00 in 152 mm | 3.62 in 92.0 mm | 3.63 in 92.0 mm | 15.0 in 381 mm | 30 ton alloy swivel | CR 25 ton shackle # 2130 | 235 lb 106 kg |
| 70,000 lb**** 35,000 kg**** | 20 lb 10 kg | 43.2 in 1097 mm | 5.00 in 127 mm | 6.00 in 152 mm | 4.56 in 116 mm | 3.75 in 95.0 mm | 15.0 in 381 mm | 37 ton alloy swivel | CR 40 ton shackle # 2140 | 270 lb 121 kg |
| 100,000 lb***** 50,000 kg***** | 20 lb 10 kg | 52.1 in 1324 mm | 5.75 in 146 mm | 6.65 in 169 mm | 5.06 in 129 mm | 4.25 in 108 mm | 16.25 in 413 mm | CR 45 ton S1 swivel | CR 55 ton shackle # 2140 | 420 lb 189 kg |

CR = Crosby® or equivalent (Crosby is a registered trademark of The Crosby Group, LLC.)

* These dimensions also apply to 50/70/100,000 lb models with hook and shackle

** Resolution subject to change for NTEP Certified and OIML units

*** Ultimate overload: 490% of kg capacity

**** Ultimate overload: 475% of lb capacity / 430% of kg capacity

***** Ultimate overload: 450% of kg capacity

Specifications

| | |
|---|--|
| Accuracy: | + (0.1% +1 d) of applied load |
| Resolution: | 3000 to 5000 d standard (up to 10,000 d available) |
| Enclosure: | NEMA 4 IP66, marine grade 356 alloy anodized cast aluminum |
| Top Lifting Eye, Shackle & Hook: | Crosby® or equal with 360° thrust-bearing swivel hook |
| Design Overload: | 200% safe / 500% ultimate (except as noted) |
| Functions: | POWER, ZERO, NET/GROSS, TARE and programmable TEST/USER |
| Display: | Six-digit, 1.6 in (40 mm) LCD (upper) Eight-digit, 0.8 in (20 mm) LCD (lower) with adjustable display contrast |
| Displayable Units: | Pounds, kilograms, tons, and metric tons selectable |
| Power: | 12 volt rechargeable battery. 115/230VAC battery charger included |
| Operating Time: | 300 hours with typical use |
| Operating Temperature: | 5°F to 122°F (-15°C to 50°C) |
| Filtering: | OFF, LO, Medium and HI selectable |

Options and Accessories

- NTEP Certified (contact factory for current USA and International approvals)
- Universal direct power supply: 85-265VAC, 47-440 Hz/130-300 VDC
- D-Cell alkaline battery power
- Substitute shackle for bottom swivel hook (for possible headroom loss reduction)
- Oversized top lifting eye or shackle (for oversized crane hook interface)
- Oversized bottom swivel hook
- Low headroom adapter (for in-block installation)
- Audible alarm
- Marine/Fishing configuration (contact factory for further information)

Your Rice Lake Weighing Systems distributor is:

RICE LAKE
WEIGHING SYSTEMS®
To be the best by every measure®

230 W. Coleman St. • Rice Lake, WI 54868 • USA
TEL: 715-234-9171 • FAX: 715-234-6967 • www.ricelake.com

An ISO 9001 registered company © 2014 Rice Lake Weighing Systems PN 154315 10/14
Specifications subject to change without notice.