

Livestock Scales

TABLE OF CONTENTS

ROUGHDECK® SLV	582
<i>Single Animal Livestock Scale</i>	
ROUGHDECK® EQ	584
<i>Equine Floor Scale and Indicator Package</i>	
FARM BARS	586

The following product names, logos, brands and other trademarks featured or referred to within this publication are the property of their respective trademark holders.

RoughDeck® SLV

Single Animal Livestock Scale



Specifications

End Load Capacity:

125% full scale

Outside Dimension:

(L x W) 8 ft x 3 ft

(L x W) 8 ft x 4 ft

Cable Length:

20 ft (6 m)

Capacity:

8 ft x 3 ft: 4,000 lb x 1 lb

8 ft x 4 ft: 4,000 lb x 1 lb

Warranty:

Two-year limited warranty (scale only)

Approvals:

NTEP CC 92-001 Class III 4,000d

Capacity not to exceed 4,000 x 1lb and platform size not to exceed 32 sq ft.

Standard Features

- Mild steel construction
- Rugged diamond safety treadplate deck
- Rigid structural steel channel frame
- NEMA Type 4X stainless steel side-access junction box without quick connector
- Signal trim summing board
- Four adjustable stainless steel SUREFOOT™ support feet
- 20 ft (6 m) SURVIVOR® EL147HE hostile environment load cell cable
- Four alloy steel load cells

APPROVALS



Part Number/Price

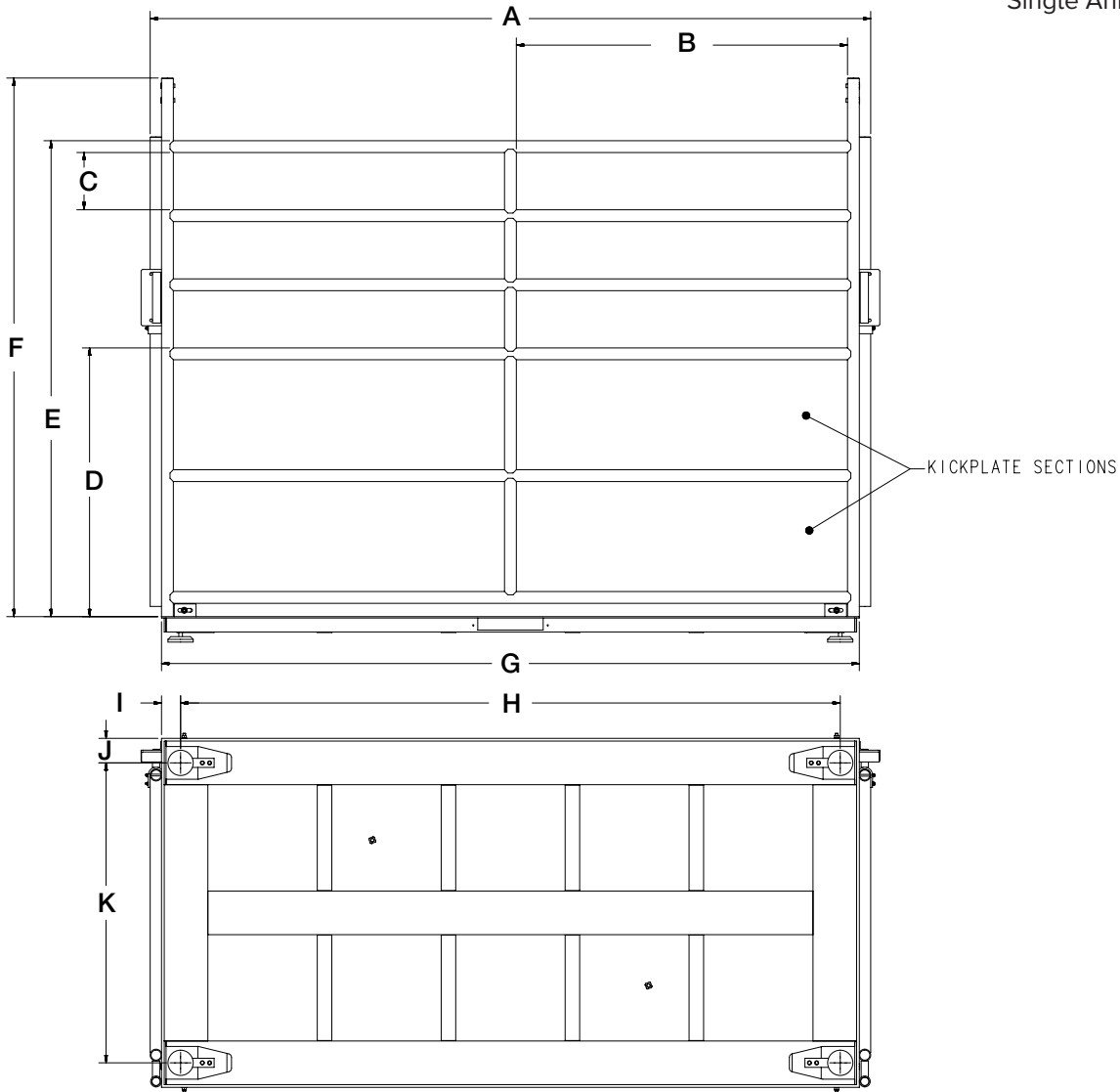
Part #	Outside Dimensions	Capacity	Est. Weight	Price
103617	8 ft x 3 ft	4,000 lb, 20 ft without Quick Connect, modified to fit gate and rack (scale platform only)	565 lb	\$3,100.00
78452	8 ft x 3 ft	4,000 lb, 20 ft without Quick Connect (gate and rack not included) (scale platform only)	565 lb	\$3,100.00
103619	8 ft x 4 ft	4,000 lb, 20 ft without Quick Connect, modified to fit gate and rack (scale platform only)	750 lb	\$3,200.00
78453	8 ft x 4 ft	4,000 lb, 20 ft without Quick Connect (gate and rack not included) (scale platform only)	750 lb	\$3,200.00
RoughDeck SLV 4,000 lb Bundle Package (Ships Assembled)				
124192	8 ft x 3 ft	Includes: scale, 2 swing gates and racks, kick plates, 482 digital indicator, factory calibration	1,200 lb	\$5,700.00
160100	8 ft x 3 ft	Includes: scale, 2 sliding gates and racks, kick plates, 482 digital indicator, factory calibration	1,310 lb	\$8,300.00
124193	8 ft x 4 ft	Includes: scale, 2 swing gates and racks, kick plates, 482 digital indicator, factory calibration	1,500 lb	\$6,100.00

Options/Accessories

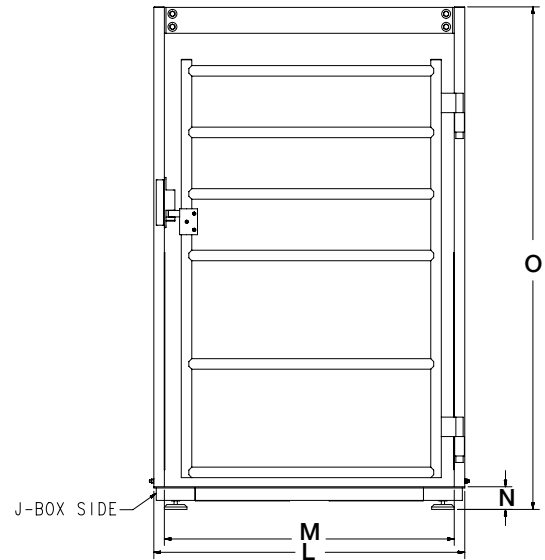
Part #	Description	Price
Consult	Smooth deck instead of diamond safety tread plate	N/C
Consult	Stainless steel load cells (RL32018S IP66) and hardware	\$120.00 list price add-on
Consult	Stainless steel hermetically sealed load cells (RL32218S-HE IP69K) and hardware	\$440.00 list price add-on
Consult	Angle iron bolted to scale for wood deck provisions (wood to be supplied by customer)	\$225.00
Consult	Rubber mat	Consult
Consult	Slide gate	Consult
18777	Floor anchor plates, mild steel (set of 2)	\$38.00
18778	Floor anchor plates, stainless steel (set of 2)	\$50.00

RoughDeck® SLV

Single Animal Livestock Scale



Dimensions			
3 ft x 8 ft			
A	99.12 in	I	2.63 in
B	45.56 in	J	3.38 in
C	7.88 in	K	29.25 in
D	36.95 in	L	36.00 in
E	65.45 in	M	32.75 in
F	74.00 in	N	3.50 in
G	95.00 in	O	77.58 in
H	90.75 in		
4 ft x 8 ft			
A	99.12 in	I	2.63 in
B	45.56 in	J	3.38 in
C	7.88 in	K	41.25 in
D	36.95 in	L	48.00 in
E	65.45 in	M	44.75 in
F	74.00 in	N	3.50 in
G	95.00 in	O	77.58 in
H	90.75 in		



RoughDeck® EQ

Equine Floor Scale and Indicator Package



RoughDeck EQ
with two optional
guide rails installed

Specifications

End Load Capacity:

100% full scale at 2,500 lb X 0.5 lb

Cable Length:

20 ft (6.1m) for connecting junction box to indicator

Threaded Eyebolt:

One lifting hole located in center of scale for easy install (requires 1/2-20NF eyebolt, not included)

Warranty:

Two year limited warranty

Standard Features

- Package includes RoughDeck EQ 4 ft x 6 ft x 4.25 in floor scale, 20 ft of hostile environment load cell cable and indicator
- Heavy-duty design with structural steel channel frame
- Four IP66 alloy steel, shear beam load cells
- 20 ft SURVIVOR® EL147HE hostile environment load cell cable
- TuffSeal® JB4SS stainless steel, NEMA Type 4X junction box with signal trim card
- Side-access junction box
- Diamond tread-plate for safety topped with 4 ft x 6 ft x 0.75 in stall mat to reduce noise and instill equine comfort
- 4 adjustable stainless steel SUREFOOT™ support feet
- Powder-coated black matte finish

482 Legend Series Digital Display

- AC power 100-240 VDC
- LCD backlit display for a variety of environments
- Battery backed time and date
- Standard RS-232 serial ports for connecting to a variety of peripherals

Part Number/Price

Part #	Size (W x L x H)	Capacity	Est. Weight	Price
RoughDeck EQ Floor Scale with 482 Indicator				
207811	4 ft x 6 ft x 4.25 in	2,500 lb X 0.5 lb	610 lb	\$3,500.00

Options/Accessories

Part #	Description	Price
Consult	Access ramps	+ Consult list price add-on
Consult	Smooth deck instead of diamond safety tread plate	N/C
12839*	50 lb cast iron calibration weights	\$141.00
207812	Guide rail, 5.66 ft long x 4.36 ft high, field installable, black matte finish	+\$295.00 list price add-on
18777	Floor anchor plates	\$38.00

*Quantity of 5 weights is recommended for 10% of capacity.

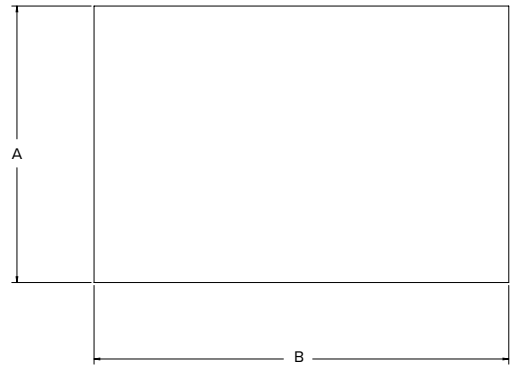
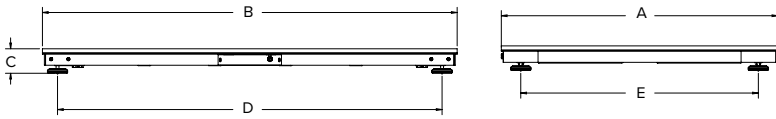
RoughDeck® EQ

Equine Floor Scale and Indicator Package

Dimensions

4 ft x 6 ft x 4.25 in - No Optional Guide Rail

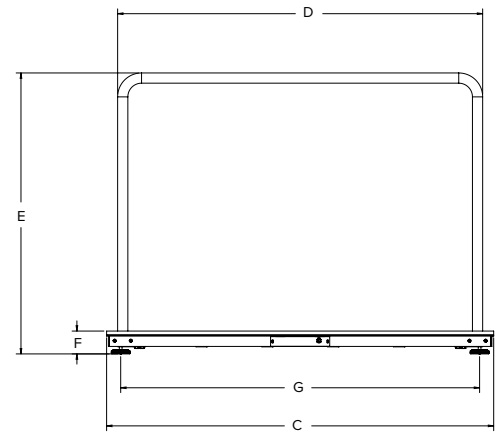
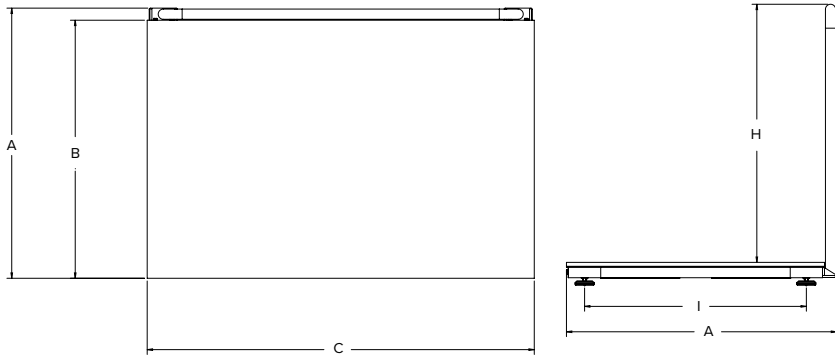
A	48.00 in	D	66.76 in
B	72.00 in	E	41.25 in
C	4.25 in		



Dimensions

4 ft x 6 ft x 4.25 in with One Optional Guide Rail

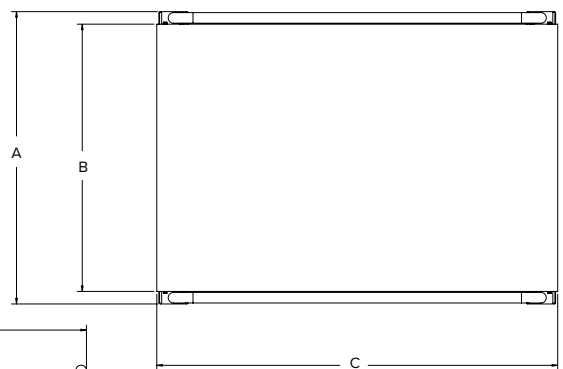
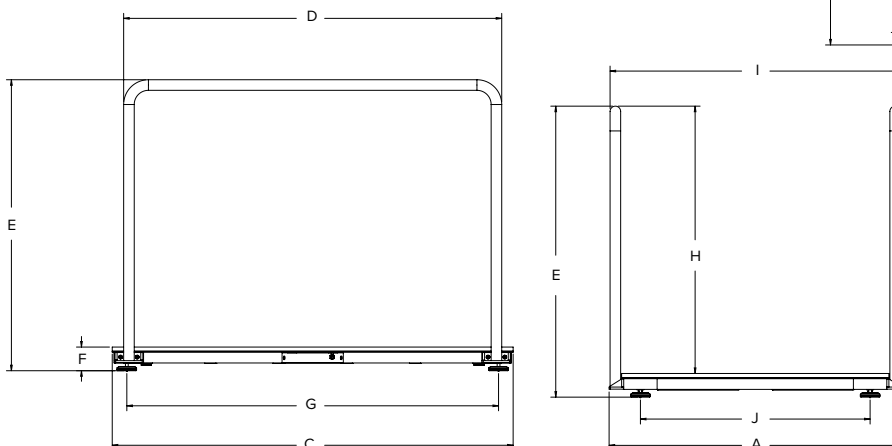
A	50.25 in	F	4.25 in
B	48.00 in	G	66.76 in
C	72.00 in	H	48.00 in
D	67.90 in	I	41.25 in
E	52.26 in		



Dimensions

4 ft x 6 ft x 4.25 in with Two Optional Guide Rails

A	50.25 in	F	4.25 in
B	48.00 in	G	66.76 in
C	72.00 in	H	48.00 in
D	67.90 in	I	52.15 in
E	52.26 in	J	41.25 in



Farm Bars



Standard Features

- Indicator cable length 12 ft
- 3 ft ArmorGuard cable included
- Kit includes 482 Legend Series digital weight indicator
- Factory calibrated when sold with instrumentation
- Capacities from 2,500 lb to 10,000 lb

Dimensions, Farm Bar 2,500U

L	L-7 in	D	D + 6 in	H
22 in	15 in	19.75 in	25.75 in	4 in

Dimensions, Farm Bar 5,000U

L	L-7 in	D	D + 6	H
26 in	19 in	23.75 in	29.75 in	4 in
33 in	26 in	30.75 in	36.75 in	4 in
36 in	29 in	33.75 in	39.75 in	4 in
40 in	33 in	37.75 in	43.75 in	4 in
44 in	37 in	41.75 in	47.75 in	4 in
48 in	41 in	45.75 in	51.75 in	4 in

Dimensions, Farm Bar 10,000U

L	L-7 in	D	D + 6	H
32 in	25 in	29.75 in	35.75 in	4 in
36 in	29 in	33.75 in	39.75 in	4 in
48 in	41 in	45.75 in	51.75 in	4 in
60 in	53 in	57.75 in	63.75 in	4 in
72 in	65 in	69.75 in	75.75 in	4 in

Specifications

Safe Overload:

150%

Full Scale Output (FS):

3mV/V nominal**

** Output is standardized for each model of load bar, consult factory for details

Maximum Excitation:

15 VDC

Nonlinearity:

0.02% full scale

Hysteresis:

0.02% full scale

Thermal Sensitivity Shift:

0.0008% of reading/° F

Thermal Zero Shift:

0.0015% FS/° F

Side Discrimination:

1,000:1

Bridge Resistance:

350 ohms

Temperature Range:

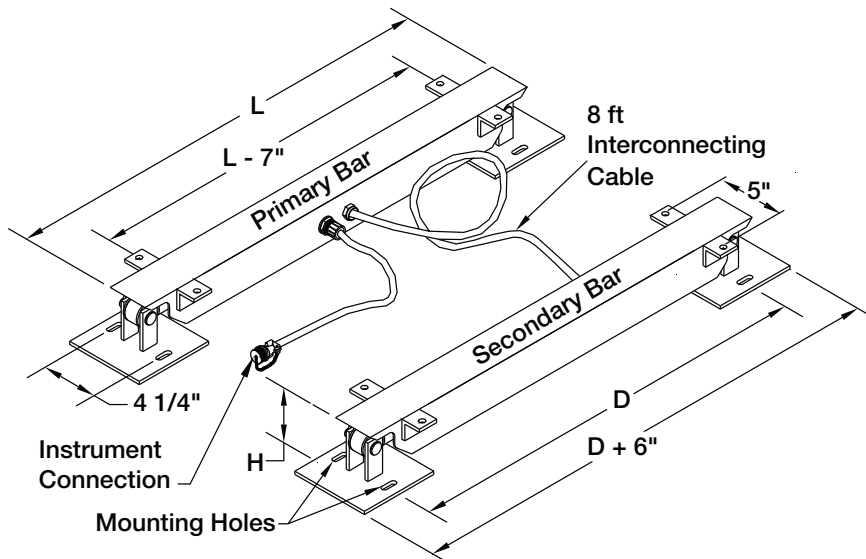
-40 to 111°F (-40 to 44° C)

Cable Configuration:

8 ft between bars and 12 ft for the indicator

Warranty:

Two-year limited warranty



Farm Bars

Part Number/Price

Part #	Size L x W x H	Description	Est. Weight	Price
With Instrumentation				
2,500 lb Capacity				
127519	22 x 2 x 4 in	2,500 lb 22 – Farm Bar Kit, 22 in with 482, 2,500 capacity, square pads	98 lb	\$3,100.00
5,000 lb Capacity				
130259	26 x 2 x 4 in	5,000 lb 26 – Farm Bar Kit, 26 in with 482, 5,000 capacity, square pads	117 lb	\$3,500.00
127761	33 x 2 x 4 in	5,000 lb 33 – Farm Bar Kit, 33 in with 482, 5,000 capacity, square pads	123 lb	\$3,500.00
130264	36 x 2 x 4 in	5,000 lb 36 – Farm Bar Kit, 36 in with 482, 5,000 capacity, square pads	128 lb	\$3,500.00
128678	40 x 2 x 4 in	5,000 lb 40 – Farm Bar Kit, 40 in with 482, 5,000 capacity, square pads	134 lb	\$3,500.00
128679	44 x 2 x 4 in	5,000 lb 44 – Farm Bar Kit, 44 in with 482, 5,000 capacity, square pads	140 lb	\$3,500.00
130269	48 x 2 x 4 in	5,000 lb 48 – Farm Bar Kit, 48 in with 482, 5,000 capacity, square pads	146 lb	\$3,500.00
10,000 lb Capacity				
185436	32 x 2 x 4 in	10,000 lb 32 – Farm Bar Kit, 32 in with 482, 10,000 capacity, square pads	152 lb	\$4,300.00
127498	36 x 2 x 4 in	10,000 lb 36 – Farm Bar Kit, 36 in with 482, 10,000 capacity, square pads	152 lb	\$4,300.00
127502	48 x 2 x 4 in	10,000 lb 48 – Farm Bar Kit, 48 in with 482, 10,000 capacity, square pads	175 lb	\$4,300.00
127504	60 x 2 x 4 in	10,000 lb 60 – Farm Bar Kit, 60 in with 482, 10,000 capacity, square pads	210 lb	\$4,300.00
127506	72 x 2 x 4 in	10,000 lb 72 – Farm Bar Kit, 72 in with 482, 10,000 capacity, square pads	230 lb	\$4,300.00
Without Instrumentation				
2,500 lb Capacity				
152016	22 x 2 x 4 in	2,500 lb 22 – Farm Bar set, with square pads	92 lb	\$2,700.00
5,000 lb Capacity				
152018	26 x 2 x 4 in	5,000 lb 26 – Farm Bar set, with square pads	111 lb	\$3,100.00
152019	33 x 2 x 4 in	5,000 lb 33 – Farm Bar set, with square pads	117 lb	\$3,100.00
152020	36 x 2 x 4 in	5,000 lb 36 – Farm Bar set, with square pads	122 lb	\$3,100.00
152021	40 x 2 x 4 in	5,000 lb 40 – Farm Bar set, with square pads	128 lb	\$3,100.00
152022	44 x 2 x 4 in	5,000 lb 44 – Farm Bar set, with square pads	134 lb	\$3,100.00
152023	48 x 2 x 4 in	5,000 lb 48 – Farm Bar set, with square pads	140 lb	\$3,100.00
10,000 lb Capacity				
185437	32 x 2 x 4 in	10,000 lb 32 – Farm Bar set, with square pads	146 lb	\$3,900.00
152024	36 x 2 x 4 in	10,000 lb 36 – Farm Bar set, with square pads	146 lb	\$3,900.00
152025	48 x 2 x 4 in	10,000 lb 48 – Farm Bar set, with square pads	169 lb	\$3,900.00
152026	60 x 2 x 4 in	10,000 lb 60 – Farm Bar set, with square pads	204 lb	\$3,900.00
152027	72 x 2 x 4 in	10,000 lb 72 – Farm Bar set, with square pads	224 lb	\$3,900.00

Options/Accessories

Part #	Description	Price
159788	Extension cable, farm bar, 10 ft long	\$225.00
127556	Home Run Cable, 12 ft. long, 4-pin male to blunt end, for indicator	\$105.00
164582	482 Indicator, with internal rechargeable battery	\$1,125.00
23113	Printer TM-U295	\$650.00
71630	Scale tickets, 500/pack	\$60.00
15547	Blunt end to DB25, RS-232 cable for printer to indicator	\$70.00

