



Picture is a representation of actual product.

Approvals



Available upon request

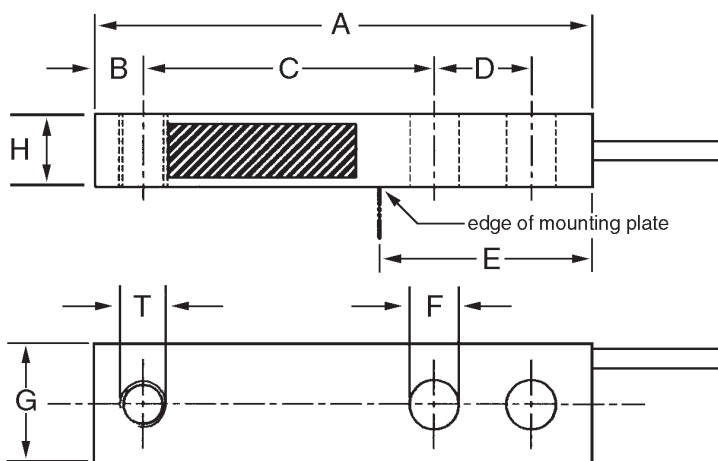
Order Information

Load Rating	Part #	Est. Weight	Price
NTEP Certified			
500 kg	84839	2lb	Consult
1,000 kg	84840	2lb	Consult
2,000 kg	84841	2lb	Consult
Non-NTEP Certified			
200 kg	84838	2lb	Consult

Dimensions

Rated Capacity	A	B	C	D	E	F	G	H	T*
kg/mm									
200	128.5	12.7	76.2	25.4	53.8	13(2x)	31.8	16.1	1/2-20 UNF
500	128.5	12.7	76.2	25.4	53.8	13(2x)	31.8	16.1	1/2-20 UNF
1,000	128.5	12.7	76.2	25.4	53.8	13(2x)	31.8	19.1	1/2-20 UNF
2,000	130.2	12.7	76.2	25.4	53.8	13(2x)	31.8	25.4	1/2-20 UNF

*Metric thread is available



Specifications

Full Scale Output:

2.0 mV/V
mV/V/ohm calibration

Output Resistance:

1,000 (± 2) ohm

Input Resistance:

1,100 (± 50) ohm

Material/Finish:

Stainless steel

Temperature:

Compensated range
14 °F to 104 °F (-10 °C to 40 °C)
Operating range
0 °F to 150 °F (-18 °C to 65 °C)

Seal Type:

Environmentally sealed, IP67

Safe Overload:

200% full scale

Safe Sideload:

100% full scale

Rated Excitation:

5 to 10 VAC/DC (15 V maximum)

Combined Error:

0.030%

Insulation Resistance:

5,000 megohm

Cable Length:

10 ft

Also available in 30 ft

Cable Diameter:

0.196 in

Polyurethane jacket

Cable Color Code:

Green +Excitation
Black -Excitation
White +Signal
Red -Signal
Yellow Shield

Warranty:

One-year limited

Approvals:

NTEP
EX
OIML (Available upon request)