

New Pricing

Effective May 15

2022

Load Cell Guide



RICE LAKE[®]
WEIGHING SYSTEMS

800-472-6703

www.ricelake.com

Train for Excellence

Rice Lake Weighing Systems' training courses have something to offer everyone. From general product lines to programming and sales, Rice Lake classes are built to benefit the student, no matter the experience level.

Learn online or in-person—there are even specialty classes designed for unique product lines.

Learn from Rice Lake experts and gain skills you and your team can use during real-world sales and service calls.



**Apply for a
class today!**

Visit www.ricelake.com/training

to view our complete training schedule, review course descriptions and fill out an application,

or call 800-472-6703 and ask to speak with our training coordinator.

Table of Contents

Customer Assistance

Table of Contents	1
INTERCHANGEABLE PRODUCTS	
Rice Lake	5
VPG BLH	9
VPG Celtron	10
Flintec	10
HBM	11
VPG Revere	12
VPG Sensortronics	13
VPG Tedeo-Huntleigh	14
Shipping Information	15
Customer Assistance	21
Terms and Conditions	22
Warranty and Limitation of Liability	24
Using Ingress Protection (IP) Ratings	28
Weigh Module Application	29

Survivor® Weigh Modules

Table of Contents	31
SURVIVOR Paramounts® HE	32
RL1700 HE	34
RL1600 HE	36
RL1855 HE-HS	38
RL2100 HE	40

Rice Lake Weigh Modules

Table of Contents	43
ITCM	44
ITCM SS	46
ITCM HE	48
RL50210TA	50
65059	52
RL50219SS-TA	54
Paramounts® EP	56
Paramounts® HS	58
RLBTM	60
RL1800 Series	62
RL1800 Series Painted Load Cell Version	64
RL1900 Series	66
RLTM	68
RL9000TWM Series	70
RL9000TWM-HT	74

RL2200 Series	76
RL2200SS Series	78
RLC	80
220 Universal Mount	82
EZ Mount 1 with RL72020	84
EZ Mount 1 SS with RL72020SS	86
EZ Mount 1 with Painted RL72020P	88
EZ Mount 1 with RL70000	90
EZ Mount 1 with RL70000SS	92
EZ Mount 1 with Painted RL70000	94
EZ Mount 1 HE	96
RL1600 Series	98
RL1600 Series	100
RL1600 Series SS	102
RL1600 Series Painted Load Cell Version	104
MVS Mount/MVS	106
Translink™ Parallel Link	108
Motor Truck Scale Electronic Conversion Kit	109
MagnaMount®	111
Mettler Toledo™ DigiTOL® Retrofit Kit	112
Electronic Floor Scale Underdeck Kits	114

Rice Lake Weighing Systems Load Cells

Table of Contents	117
S-BEAM	
RL20000I	128
RL20000SS	129
RL20000ST	130
RL20001I	131
RL20001HE	132
RLETS	133
SINGLE-ENDED BEAM	
RL32018	134
RL32018 Painted	135
RL32018S	136
RL32018S-P	137
RL32018S-HE	138
RL32019S-HE	139
RL32218S-HE	140
RL9018SS	141
RL30000I	142
RL30002 Thru Hole	143
RLH35	144
RL39123	145
RL32018S-T	146

RL30745	147
RL35023S Painted	148
RLETB	149
RLHTO	150
RLSSB	151
RLSB250/RLSB250T	152
RL50219SS	153
RL50210	154
RL60040SST	155
RL40BBS	156
RL32011WB-L	157
RL32011WB-T	158
DOUBLE-ENDED BEAM	
RL72020	159
RL72020SS	160
RL72020P	161
RL72019SS	162
RL70000	163
RL70000 Painted	164
RL70000SS	165
RL75016	166
RL75016 Painted	167
RL75016SS	168
RL75016SS-W	169
RL75016WHE	170
RL75058I	171
RL75058I for Rice Lake Coil Scale	172
RL75058-LP	173
RL75058S-LP	174
RL75060S	175
RL75223	176
RLDB50000S	177
RL75040	178
COMPRESSION CANISTER	
RLCSP1	179
RL8C2P1SST	180
ROCKER COLUMN	
RLSCA-50K	181
RL70510-30 t/RL80453-100,000 lb	182
RL75114-50K	183
COMPRESSION DISK	
RL90000	184
RLPC3SS	185
RLPC4SS-HE	186
SINGLE POINT	
RLPC6	187
RLPWM15HE	188
RLPWM15	189
RLPCBC-60	190

Table of Contents

RL1521A.....	191
RL1010.....	192
RLSP4.....	193
RLPWM12.....	194
RLPWM16.....	195
RL1042.....	196
RL1040.....	197
RL1140.....	198
RL1380.....	199
RL1385.....	200
RL1260.....	201
RL260FD.....	202
RL26018A.....	203
RL1250.....	204
RL1218A.....	205
RL42018A.....	206
RLFLS.....	207
PLANAR BEAM	
RLBLP.....	208
TENSION LINK	
RL2010.....	209
MSI Load Pin Sensors.....	210
MSI Load Pin Questionnaire.....	211
MSI Tension Link Load Cell.....	212
MSI Clamp-On Load Cell.....	214
VPG BLH	
Table of Contents.....	215
COMPRESSION CANISTER	
C2P1.....	216
C3P1.....	217
TENSION CANISTER	
T2P1.....	218
T3P1.....	219
VPG Celtron	
Table of Contents.....	221
S-BEAM	
STC.....	223
STC.....	224
STC SS.....	225
STC-HSS.....	226
SINGLE-ENDED BEAM	
SQB.....	227
SQB-HSS.....	228
MBB.....	229
SEB.....	230
DSR.....	231

MDB.....	232
CLB.....	233
SINGLE POINT	
LPS.....	234
LOC Heavy Capacity.....	235
COMPRESSION DISK	
LCD.....	236
Flintec	
Table of Contents.....	237
S-BEAM	
UB1.....	240
UB6.....	241
SINGLE-ENDED BEAM	
SLB.....	242
SB4.....	243
SB5.....	244
BK2.....	245
SB6.....	246
SB10.....	247
SB14.....	248
ROCKER COLUMN	
RC1.....	249
RC3.....	250
SINGLE POINT	
PCB.....	251
PC1.....	252
PC3.....	253
PC4.....	254
PC6.....	255
PC7.....	256
PC2.....	257
PLANAR BEAM	
PB.....	258
HBM	
Table of Contents.....	259
SINGLE-ENDED BEAM	
H35.....	260
BBS.....	261
Z6.....	262
ROCKER COLUMN	
C16A.....	263
SINGLE POINT	
SP4M.....	264
PW15.....	265
PW15AH.....	266
PWS.....	267

Interface

Table of Contents.....	269
COMPRESSION DISK	
1200 Series.....	270
3200 Series.....	271
TENSION/COMPRESSION	
SML.....	272
WMC.....	273
WMC Miniature Sealed.....	274

VPG Revere

Table of Contents.....	275
S-BEAM	
363.....	279
9363.....	280
BSP.....	281
SINGLE-ENDED BEAM	
5123.....	282
9123.....	283
9523.....	284
ACB.....	285
9102.....	286
5102.....	287
5723.....	288
SHB.....	289
SSB.....	290
DOUBLE-ENDED BEAM	
5103.....	291
9103.....	292
5223.....	293
9223.....	294
9803.....	295
9323.....	296
9423.....	297
COMPRESSION CANISTER	
ASC.....	298
RLC.....	299
CP.....	300
CSP.....	301
792.....	302
SINGLE POINT	
462.....	303
HPS.....	304
HPSM.....	305
LOAD CELL	
AX3040.....	306

Table of Contents

VPG Sensortronics

Table of Contents	307
S-BEAM	
60001	311
60050	312
60063	313
SINGLE-ENDED BEAM	
65023A-5297	314
65023A-5107-10	315
65023A-5507	316
65023A	317
65023SS	318
65023S	319
65083	320
65083S	321
60040	322
SINGLE POINT	
60048SS	323
60051	324
60060	325
DOUBLE-ENDED BEAM	
65016	326
65016W	327
65016WH	328
65058A	329
65058S	330
65061A	331
65040A	332
65040S	333
65040A-1127W	334
ROCKER COLUMN	
65114	335

VPG Tedeo-Huntleigh

Table of Contents	337
S-BEAM	
620	341
SINGLE-ENDED BEAM	
3411/3421	342
3510-NTEP	343
3510-OIML	344
355	345
SINGLE POINT	
1022	346
1010/1015	347
1030	348
1042	349

1040	350
1130	351
1140	352
1240	353
1142	354
1260	355
1260S	356
1263	357
1250	358
1320	359
1510	360
240	361
9010	362
PLANAR BEAM	
380	363
COMPRESSION DISK	
220	364
120	365
VPG Tedeo-Huntleigh Model 9010 Application Definition Form	366

Hardware and Accessories

Table of Contents	367
Load Cell Mounting Hardware Safety Guidelines	368
Mounting Assembly Component Identification	369
Jam Nuts	369
Eye Nuts	370
Coupling Nuts	370
Clevis Mount Assemblies	371
Load Cell Eye Bolts	372
Rod End Ball Joints	373
Connecting Links	374
Load Cell Isolators	374
Threaded Adaptors	375
ITCM Hardware Kits	376
Grounding Strap	377
Load Receiver Plate	377
Ball Bearings	378
Load Cups	378
Cardinal® Wire Rope Assemblies	379
Wire Rope Assemblies	379
Custom Wire Ropes	379
Custom Wire Rope Definition Form	380
Spherical Washer Sets	381
Weldless End Links	381
Load Cell Spacers	382
Load Button	382
Load Button Insert Kit	382
Flintec® Adjustable Rubber Foot	383
Surefoot™	383
Bench Scale Feet	384
Polyurethane Rubber Leveling Feet	384
Captured Ball Floor Scale Leveling Feet	385
Leveling Pads	386
Leveling Mount	386
Leveling Pad Stems	386
Summit® 3000 Scale Base	387
Floor Scale Base	387
RoughDeck® Scale Base	387
Complete Custom Cable Services	388
EL147, 6 Wire	390
EL147RP Plus, 6 Wire	390
EL147HE, 6 Wire	391
EL147IS, 6 Wire	391
EL146, 4 Wire	392
EL146HE, 4 Wire	392
EL144 Communications Cable	393
BCD Cable	393
Fiber-Optic Cable	394
SURVIVOR® EL620HE	394
SURVIVOR® Cable Armor	394
Mettler Toledo® Power Cell® Homerun Cable	395
EL148HE Mettler Toledo®	395
Load Cell Conduit Adaptors	395
Cord Grip Assemblies	396
EL214 Cable Splicing Kit	396
EL214T Cable Splicing Kit	396
Flintec® Load Cell Cable Replacement Kits	397
EL215 Cable Splicing Kit	397
Five-Position Connectors, Shell Plugs, Receptacles	398
Seven-Position Connectors, Shell Plugs, Receptacles	398
Six-Position Connectors, Shell Plugs, Receptacles	398
T-Strip Molding	399
T-Grip Molding	399
Electronic Scale Tickets	400
Mechanical Scale Tickets	401
Printer Dust Covers	402
Printer Cables	403

Table of Contents

Static Brushes.....	404
Ionizing Strips.....	404
Ionizing Strip Accessories.....	404
Crimper and Lead Seals.....	405
Desiccants.....	405
Industrial Corrosion Inhibitor.....	405
Static Control Table Mat and Floor Mat.....	406
Static Control Wrist Strap.....	406
Static Shielding Bags.....	407
Static-Safe Service Kit.....	407
Rice Lake's Scale Technician Kits.....	408

Junction Boxes / Simulators

Table of Contents.....	409
JB4SS.....	410
JB4ES.....	411
JB4SP and JB4SPT.....	412
JB4EP and JB4EPT.....	413
EL204.....	414
EL504.....	415
JB8SP.....	416
JB8SPT.....	417
EL304A.....	418
JB1010T.....	419
JB1010ST.....	420
Replacement Junction Boxes, Boards or Components.....	421
iQUBE ²	422
EL168.....	425
TP75 DC.....	425
UJB3T6 DC.....	426
TP232 RS-232.....	427
Ranger 1.....	427
Ranger 3.....	428
Transducer Simulator 4.....	428
Ranger 5.....	429
Ranger 7.....	429

Manufacturer	Model	Manufacturer	Model	Page #
Artech	20210	Rice Lake	RL20000I S-beam	page 128
Artech	SS20210	Rice Lake	RL20000SS S-beam	page 129
Artech	30310	Rice Lake	RL30000I Single-ended Beam	page 142
Artech	SS30310	Rice Lake	RL39123 Single-ended Beam	page 145
Artech	SS30610	Rice Lake	RLSSB Single-ended Beam	page 151
Artech	50210	Rice Lake	RL50210 Single-ended Beam	page 154
Artech	50210	Rice Lake	RL60040SST Single-ended Beam	page 155
Artech	70210	Rice Lake	RL70000 Double-ended Beam	page 163
Artech	SS70210	Rice Lake	RL70000SS Double-ended Beam	page 165
Artech	80210	Rice Lake	RL75223 Double-ended Beam	page 176
Artech	80310	Rice Lake	RL75040 Double-ended Beam	page 178
Artech	61022	Rice Lake	RL1521A Single Point	page 191
Cardinal	SB2500	Rice Lake	RLSB250 Single-ended Beam	page 152
Cardinal	DB50000S	Rice Lake	RLDB50000S Double-ended Beam	page 177
Cardinal	SCA-50K	Rice Lake	RLSCA-50 Rocker Column	page 181
Fairbanks	3-481XX-1	Rice Lake	RL40BBS Single-ended Beam	page 156
Fairbanks	3-48660-1	Rice Lake	RL40BBS Single-ended Beam	page 156
Fairbanks	LCFHR4020-2	Rice Lake	RL75114-50K Rocker Column	page 183
Fairbanks	LCFHR4020-2A	Rice Lake	RL70510-30T	page 182
Fairbanks	LCGHR4020-2I	Rice Lake	RL80453 100,000 lb	page 182
Fairbanks	4900 Series Checkweighers	Rice Lake	RL1521A Single Point	page 191
Fairbanks	3-38065-X, 3-38066-X	VPG BLH	C2P1 Compression Canister	page 216
Fairbanks	3-38054-X	VPG BLH	C3P1 Compression Canister	page 217
Fairbanks	657090, 657091	VPG BLH	T2P1 Tension Canister	page 218
Fairbanks	3-39897-X, 3-40766-X	VPG BLH	T3P1 Tension Canister	page 219
Flintec	PC6	Rice Lake	RLPC6 Single Point	page 187
Flintec	PC 42	Rice Lake	RL1042 Single Point	page 196
Flintec	PCB	Rice Lake	RL1250 Potted Single Point	page 204
HBM	B35	Rice Lake	RL39123 Single-ended Beam	page 145
HBM	SB3	Rice Lake	RLSSB Single-ended Beam	page 151
HBM	BBS	Rice Lake	RL40BBS Single-ended Beam	page 156
HBM	PW15AH	Rice Lake	RLPWM15HE Single Point	page 188
HBM	SP4	Rice Lake	RLSP4 Single Point	page 193
HBM	PW16	Rice Lake	RLPWM16 Single Point	page 195
HBM	SP4	Rice Lake	RL1042 Single Point	page 196
HBM	PWS	Rice Lake	RL1380 Single Point	page 199
HBM	PW16	Rice Lake	RL1260 Single Point	page 201
HBM	PW12	Rice Lake	RL1250 Potted Single Point	page 204
HBM	C10	VPG BLH	C2P1 Compression Canister	page 216
HBM	PW12	Rice Lake	RLPWM12 Single Point	page 194
Howe Richardson	244699-000X	Rice Lake	RLCSP1 Compression Canister	page 179
Interface	MB	VPG Celtron	MBB Single-ended Beam	page 229

Rice Lake

Manufacturer	Model	Manufacturer	Model	Page #
Mettler Toledo	TB601019-008 (500 lb, 2,500 lb, 5,000 lb)	Rice Lake	RLH35 Single-ended Beam	page 144
Mettler Toledo	TB601016-020 (1,000 lb, 4,000 lb)	Rice Lake	RLH35 Single-ended Beam	page 144
Mettler Toledo	TB600529 (500 lb)	Rice Lake	RL30745 Single-ended Beam	page 147
Mettler Toledo	TB600363 (1,250 lb)	Rice Lake	RL30745 Single-ended Beam	page 147
Mettler Toledo	TB600342 (2,500 lb)	Rice Lake	RL30745 Single-ended Beam	page 147
Mettler Toledo	TB600343 (5,000 lb)	Rice Lake	RL30745 Single-ended Beam	page 147
Mettler Toledo	TB600364 (10,000 lb)	Rice Lake	RL30745 Single-ended Beam	page 147
Mettler Toledo	THC	Rice Lake	RL30745 Single-ended Beam	page 147
Mettler Toledo	10049200A, 10014900A	VPG BLH	C2P1 Compression Canister	page 216
Mettler Toledo	10011900A, 10049300A	VPG BLH	C2P1 Compression Canister	page 216
Mettler Toledo	1004400A, KN713700	VPG BLH	C3P1 Compression Canister	page 217
Mettler Toledo	KB200570, 10049100A	VPG BLH	C3P1 Compression Canister	page 217
Mettler Toledo	10048X00A, KN75066	VPG BLH	T3P1 Tension Canister	page 219
NMB	C2G1	VPG Celtron	LPS Single Point	page 234
Rice Lake	RL71000HE	Rice Lake	RL70000SS Double-ended Beam	page 165
Rice Lake	RL75016WHE	Rice Lake	RL75016SS Double-ended Beam	page 168
Rice Lake	RL75016SS	Rice Lake	RL75016WHE Double-ended Beam	page 170
Rice Lake	RL1042	Rice Lake	RLSP4 Single Point	page 193
Rice Lake	RL1250	Rice Lake	RLPWM12 Single Point	page 194
Rice Lake	RL1260	Rice Lake	RLPWM16 Single Point	page 195
Rice Lake	RLPWM16	Rice Lake	RL1260 Single Point	page 201
Rice Lake	RLPWM12	Rice Lake	RL1250 Potted Single Point	page 204
Rice Lake	RL20000	VPG Celtron	STC Low Capacity S-beam	page 223
Rice Lake	RL20001	VPG Celtron	STC S-beam	page 224
Rice Lake	RL35023	VPG Celtron	SQB Single-ended Shear Beam	page 227
Rice Lake	RL75016	VPG Celtron	DSR Double-ended Shear Beam	page 231

Manufacturer	Model	Manufacturer	Model	Page #
Rice Lake	RL75058	VPG Celtron	CLB Double-ended Beam	page 233
Rice Lake	RL1521A	VPG Celtron	LPS Single Point	page 234
Rice Lake	RLPMM12	VPG Celtron	LOC Single Point Heavy Capacity	page 235
Rice Lake	RL90000	VPG Celtron	LCD Compression Disk	page 236
Sensortronics	65040A-XX-1127W	Rice Lake	RL75223 Double-ended Beam	page 176
Streeter Amet	3760XXX	Rice Lake	RLCSP1 Compression Canister	page 179
Streeter Richardson	2011611, 2011612	VPG BLH	C2P1 Compression Canister	page 216
Streeter Richardson	2011613, 2011614, 201617	VPG BLH	C2P1 Compression Canister	page 216
Streeter Richardson	2011711, 2011712	VPG BLH	T2P1 Tension Canister	page 218
Streeter Richardson	20117XX	VPG BLH	T3P1 Tension Canister	page 219
Thurman	TSC 800	Rice Lake	RL75223 Double-ended Beam	page 176
Thurman	TSC 840	Rice Lake	RL75040 Double-ended Beam	page 178
Unibridge	DL90000	Rice Lake	RL75223 Double-ended Beam	page 176
VPG BLH	C2G1	Rice Lake	RL1521A Single Point	page 191
VPG BLH	C2G1	VPG Celtron	LPS Single Point	page 234
VPG Celtron	STC	Rice Lake	RL200001 S-beam	page 131
VPG Celtron	DSR	Rice Lake	RL75016 Double-ended Beam	page 166
VPG Celtron	DSR-HSS	Rice Lake	RL75016SS Double-ended Beam	page 168
VPG Celtron	CLB	Rice Lake	RL75058 Double-ended Beam	page 171
VPG Celtron	DLB	Rice Lake	RL75040 Double-ended Beam	page 178
VPG Celtron	LCD	Rice Lake	RL90000 Compression Disk	page 184
VPG Celtron	LPS	Rice Lake	RL1521A Single Point	page 191
VPG Celtron	LOC	Rice Lake	RL1040 Potted and Unpotted Single Point	page 197
VPG Celtron	LOC	Rice Lake	RL1250 Potted Single Point	page 204
VPG Revere	9363	Rice Lake	RL20000SS S-beam	page 129
VPG Revere	5123	Rice Lake	RL30000 Single-ended Beam	page 142
VPG Revere	9123	Rice Lake	RL39123 Single-ended Beam	page 145
VPG Revere	SSB	Rice Lake	RLSSB Single-ended Beam	page 151
VPG Revere	5503	Rice Lake	RL50210 Single-ended Beam	page 154
VPG Revere	5503	Rice Lake	RL60040SST Single-ended Beam	page 155
VPG Revere	5103	Rice Lake	RL70000 Double-ended Beam	page 163
VPG Revere	9103	Rice Lake	RL70000SS Double-ended Beam	page 165
VPG Revere	5203	Rice Lake	RL75016 Double-ended Beam	page 166
VPG Revere	9203	Rice Lake	RL75016SS Double-ended Beam	page 168
VPG Revere	5223	Rice Lake	RL75223 Double-ended Beam	page 176
VPG Revere	CSP	Rice Lake	RLCSP1 Compression Canister	page 179
VPG Revere	692B	Rice Lake	RLCSP1 Compression Canister	page 179
VPG Revere	792	Rice Lake	RL8C2P1SST Compression Canister	page 180
VPG Revere	CBU	VPG Celtron	MBB Single-ended Beam	page 229

Rice Lake

Manufacturer	Model	Manufacturer	Model	Page #
VPG Revere	5203	VPG Celtron	DSR Double-ended Shear Beam	page 231
VPG Sensortronics	60001	Rice Lake	RL200001I S-beam	page 131
VPG Sensortronics	60063	Rice Lake	RL20001HE S-beam	page 132
VPG Sensortronics	60040	Rice Lake	RL50210 Single-ended Beam	page 154
VPG Sensortronics	60040	Rice Lake	RL60040SST Single-ended Beam	page 155
VPG Sensortronics	60007	Rice Lake	RL40BBS Single-ended Beam	page 156
VPG Sensortronics	65016	Rice Lake	RL75016 Double-ended Beam	page 166
VPG Sensortronics	65016W	Rice Lake	RL75016SS Double-ended Beam	page 168
VPG Sensortronics	65016WH	Rice Lake	RL75016SS Double-ended Beam	page 168
VPG Sensortronics	65016W	Rice Lake	RL75016WHE Double-ended Beam	page 170
VPG Sensortronics	65016WH	Rice Lake	RL75016WHE Double-ended Beam	page 170
VPG Sensortronics	65058	Rice Lake	RL75058I Double-ended Beam	page 171
VPG Sensortronics	65058S	Rice Lake	RL75060S Double-ended Beam	page 175
VPG Sensortronics	65040A	Rice Lake	RL75040 Double-ended Beam	page 178
VPG Sensortronics	65088-1000	Rice Lake	RLCSP1 Compression Canister	page 179
VPG Sensortronics	60063	VPG Celtron	STC Low Capacity S-beam	page 223
VPG Sensortronics	60001	VPG Celtron	STC S-beam	page 224
VPG Sensortronics	60050	VPG Celtron	STC SS S-beam	page 225
VPG Sensortronics	65023	VPG Celtron	SQB Single-ended Shear Beam	page 227
VPG Sensortronics	65007	VPG Celtron	MBB Single-ended Beam	page 229
VPG Sensortronics	65016	VPG Celtron	DSR Double-ended Shear Beam	page 231
VPG Sensortronics	65058	VPG Celtron	CLB Double-ended Beam	page 233
VPG Tedea-Huntleigh	3411	Rice Lake	RL30000IS Single-ended Beam	page 142
VPG Tedea-Huntleigh	3510 kg	Rice Lake	RLHT0 Single-ended Beam	page 150
VPG Tedea-Huntleigh	1022	Rice Lake	RL1521A Single Point	page 191
VPG Tedea-Huntleigh	1010	Rice Lake	RL1010 Potted and Unpotted Single Point	page 192
VPG Tedea-Huntleigh	1042	Rice Lake	RLSP4 Single Point	page 193
VPG Tedea-Huntleigh	1250	Rice Lake	RLPWM12 Single Point	page 194
VPG Tedea-Huntleigh	1260	Rice Lake	RLPWM16 Single Point	page 195
VPG Tedea-Huntleigh	1042	Rice Lake	RL1042 Single Point	page 196
VPG Tedea-Huntleigh	1040	Rice Lake	RL1040 Potted and Unpotted Single Point	page 197
VPG Tedea-Huntleigh	1260	Rice Lake	RL1260 Single Point	page 201
VPG Tedea-Huntleigh	1250	Rice Lake	RL1250 Potted Single Point	page 204
VPG Tedea-Huntleigh	1022	VPG Celtron	LPS Single Point	page 234
VPG Tedea-Huntleigh	1250	VPG Celtron	LOC Single Point Heavy Capacity	page 235
VPG/HBM	PW12	VPG Celtron	LOC Single Point Heavy Capacity	page 235

Manufacturer	Model	Manufacturer	Model	Page #
Fairbanks	3-38065-X, 3-38066-X	VPG BLH	C2P1 Compression Canister	page 216
Fairbanks	3-38054-X	VPG BLH	C3P1 Compression Canister	page 217
Fairbanks	657090, 657091	VPG BLH	T2P1 Tension Canister	page 218
Fairbanks	3-39897-X, 3-40766-X	VPG BLH	T3P1 Tension Canister	page 219
HBM	C10	VPG BLH	C2P1 Compression Canister	page 216
Interface	MB	VPG Celtron	MBB Single-ended Beam	page 229
Mettler Toledo	10049200A, 10014900A	VPG BLH	C2P1 Compression Canister	page 216
Mettler Toledo	10011900A, 10049300A	VPG BLH	C2P1 Compression Canister	page 216
Mettler Toledo	1004400A, KN713700	VPG BLH	C3P1 Compression Canister	page 217
Mettler Toledo	KB200570, 10049100A	VPG BLH	C3P1 Compression Canister	page 217
Mettler Toledo	10048X00A, KN75066	VPG BLH	T3P1 Tension Canister	page 219
NMB	C2G1	VPG Celtron	LPS Single Point	page 234
Rice Lake	RL20000	VPG Celtron	STC Low-capacity S-beam	page 223
Rice Lake	RL20001	VPG Celtron	STC S-beam	page 224
Rice Lake	RL35023	VPG Celtron	SQB Single-ended Shear Beam	page 227
Rice Lake	RL75016	VPG Celtron	DSR Double-ended Shear Beam	page 231
Rice Lake	RL75058	VPG Celtron	CLB Double-ended Beam	page 233
Rice Lake	RL1521A	VPG Celtron	LPS Single Point	page 234
Rice Lake	RL1250	VPG Celtron	LOC Single Point Heavy Capacity	page 235
Rice Lake	RLPWM12	VPG Celtron	LOC Single Point Heavy Capacity	page 235
Rice Lake	RL90000	VPG Celtron	LCD Compression Disk	page 236
Streeter Richardson	2011611, 2011612	VPG BLH	C2P1 Compression Canister	page 216
Streeter Richardson	2011613, 2011614, 2011617	VPG BLH	C2P1 Compression Canister	page 216
Streeter Richardson	2011711, 2011712	VPG BLH	T2P1 Tension Canister	page 218
Streeter Richardson	20117XX	VPG BLH	T3P1 Tension Canister	page 219
VPG BLH	C2G1	VPG Celtron	LPS Single Point	page 234
VPG Revere	CBU	VPG Celtron	MBB Single-ended Beam	page 229
VPG Revere	5203	VPG Celtron	DSR Double-ended Shear Beam	page 231
VPG Sensortronics	60063	VPG Celtron	STC Low-capacity S-beam	page 223
VPG Sensortronics	60001	VPG Celtron	STC S-beam	page 224
VPG Sensortronics	60050	VPG Celtron	STC SS S-beam	page 225
VPG Sensortronics	65023	VPG Celtron	SQB Single-ended Shear Beam	page 227
VPG Sensortronics	65007	VPG Celtron	MBB Single-ended Beam	page 229
VPG Sensortronics	65016	VPG Celtron	DSR Double-ended Shear Beam	page 231
VPG Sensortronics	65058	VPG Celtron	CLB Double-ended Beam	page 233
VPG Tedea-Huntleigh	1022	VPG Celtron	LPS Single Point	page 234
VPG Tedea-Huntleigh	1250	VPG Celtron	LOC Single Point Heavy Capacity	page 235
VPG/HBM	PW12	VPG Celtron	LOC Single Point Heavy Capacity	page 235

INTERCHANGEABLE PRODUCTS

VPG Celtron

Manufacturer	Model	Manufacturer	Model	Page #
Interface	MB	VPG Celtron	MBB Single-ended Beam	page 229
NMB	C2G1	VPG Celtron	LPS Single Point	page 234
Rice Lake	RL20000	VPG Celtron	STC Low-capacity S-beam	page 223
Rice Lake	RL20001	VPG Celtron	STC S-beam	page 224
Rice Lake	RL35023	VPG Celtron	SQB Single-ended Shear Beam	page 227
Rice Lake	RL75016	VPG Celtron	DSR Double-ended Shear Beam	page 231
Rice Lake	RL75058	VPG Celtron	CLB Double-ended Beam	page 233
Rice Lake	RL1521A	VPG Celtron	LPS Single Point	page 234
Rice Lake	RL1250	VPG Celtron	LOC Single Point Heavy Capacity	page 235
Rice Lake	RLPWM12	VPG Celtron	LOC Single Point Heavy Capacity	page 235
Rice Lake	RL90000	VPG Celtron	LCD Compression Disk	page 236
VPG BLH	C2G1	VPG Celtron	LPS Single Point	page 234
VPG Revere	CBU	VPG Celtron	MBB Single-ended Beam	page 229
VPG Revere	5203	VPG Celtron	DSR Double-ended Shear Beam	page 231
VPG Sensortronics	60063	VPG Celtron	STC Low-capacity S-beam	page 223
VPG Sensortronics	60001	VPG Celtron	STC S-beam	page 224
VPG Sensortronics	60050	VPG Celtron	STC SS S-beam	page 225
VPG Sensortronics	65023	VPG Celtron	SQB Single-ended Shear Beam	page 227
VPG Sensortronics	65007	VPG Celtron	MBB Single-ended Beam	page 229
VPG Sensortronics	65016	VPG Celtron	DSR Double-ended Shear Beam	page 231
VPG Sensortronics	65058	VPG Celtron	CLB Double-ended Beam	page 233
VPG Tedeo-Huntleigh	1022	VPG Celtron	LPS Single Point	page 234
VPG Tedeo-Huntleigh	1250	VPG Celtron	LOC Single Point Heavy Capacity	page 235
VPG/HBM	PW12	VPG Celtron	LOC Single Point Heavy Capacity	page 235

INTERCHANGEABLE PRODUCTS

Flintec

Manufacturer	Model	Manufacturer	Model	Page #
Fairbanks	LCF-HR4050-3	Flintec	SLB Single-ended Beam	page 242
Fairbanks	LCF-HR4020-1	Flintec	RC1 Rocker Column	page 249
Fairbanks	LCFHR4020-2A	Flintec	RC3 Rocker Cell	page 250
Rice Lake	RL1250	Flintec	PCB Single Point	page 251
Rice Lake	RLPC6	Flintec	PC6 Single Point	page 255
VPG Celtron	LOC	Flintec	PCB Single Point	page 251
VPG Tedeo-Huntleigh	1250	Flintec	PCB Single Point	page 251

Manufacturer	Model	Manufacturer	Model	Page #
Fairbanks	3-481XX-1, 3-486XX-1	HBM	BBS Single-ended Beam	page 261
Fairbanks	3-53581-X, 3-52921-1	HBM	PW15 Single Point	page 265
HBM	SS4	HBM	H35 Single-ended Beam	page 260
Mettler Toledo	TB601019-008 (500 lb, 2,500 lb, 5,000 lb)	HBM	H35 Single-ended Beam	page 260
Rice Lake	RL39123	HBM	BBS Single-ended Beam	page 261
Rice Lake	RL30745	HBM	Z6 Single-ended Beam	page 262
Rice Lake	RLBLC	HBM	SP4M Single Point	page 264
Rice Lake	RL1250	HBM	PW15AH Single Point	page 266
Rice Lake	RLPWM16	HBM	PWS Single Point	page 267
Rice Lake	RL1260	HBM	BBS Single-ended Beam	page 261
Rice Lake	RLPWM15	HBM	Z6 Single-ended Beam	page 262
Rice Lake	RL1380	HBM	Z6 Single-ended Beam	page 262
VPG BLH	LBG1	HBM	BBS Single-ended Beam	page 261
VPG Celtron	HBB	HBM	Z6 Single-ended Beam	page 262
VPG Sensortronics	60007			
VPG Tedeo-Huntleigh	355			
VPG Tedeo-Huntleigh	1250			
VPG Tedeo-Huntleigh	1260			

INTERCHANGEABLE PRODUCTS
VPG Revere

CUSTOMER ASSISTANCE

www.ricelake.com | Phone: 800-472-6703

RICE LAKE

Manufacturer	Model	Manufacturer	Model	Page #
Artech	30310	VPG Revere	5123 Single-ended Beam	page 282
Artech	30410	VPG Revere	5723 Link Beam	page 288
Artech	90210	VPG Revere	CP Compression Canister	page 300
Artech	90310	VPG Revere	CSP Compression Canister	page 301
Artech	90405	VPG Revere	792 Compression Canister	page 302
Cardinal	CP1	VPG Revere	CP Compression Canister	page 300
HBM	B35	VPG Revere	9123 Single-ended Beam	page 283
HBM	Z6	VPG Revere	SHB Single-ended Beam	page 289
HBM	SB3	VPG Revere	SSB Single-ended Beam	page 290
Howe Richardson	20908XXX	VPG Revere	CP Compression Canister	page 300
Howe Richardson	244699-000X	VPG Revere	CSP Compression Canister	page 301
NV Technology	BLC-2-XX-N	VPG Revere	9803 Double-ended Beam	page 295
NV Technology	BLC-1-N-WP	VPG Revere	9323 Double-ended Beam	page 296
NV Technology	BLC-1-N	VPG Revere	9423 Double-ended Beam	page 297
VPG Revere	5102	VPG Revere	9102 Single-ended Beam	page 286
VPG Revere	9102	VPG Revere	5102 Single-ended Beam	page 287
VPG Revere	392B	VPG Revere	CP Compression Canister	page 300
VPG Revere	692B	VPG Revere	CSP Compression Canister	page 301
Rice Lake	RL20000	VPG Revere	363 S-beam	page 279
Rice Lake	RL20000SS	VPG Revere	9363 S-beam	page 280
Rice Lake	RL20000ST	VPG Revere	9363 S-beam	page 280
Rice Lake	RL30000	VPG Revere	5123 Single-ended Beam	page 282
Rice Lake	RL39123	VPG Revere	9123 Single-ended Beam	page 283
Rice Lake	RL39523	VPG Revere	9523 Single-ended Beam	page 284
Rice Lake	RLHBB	VPG Revere	SHB Single-ended Beam	page 289
Rice Lake	RLSSB	VPG Revere	SSB Single-ended Beam	page 290
Rice Lake	RL70000	VPG Revere	5103 Double-ended Beam	page 291
Rice Lake	RL70000SS	VPG Revere	9103 Double-ended Beam	page 292
Rice Lake	RL71000HE	VPG Revere	9103 Double-ended Beam	page 292
Rice Lake	RL75223	VPG Revere	5223 Double-ended Beam	page 293
Rice Lake	RLCSP1	VPG Revere	CSP Compression Canister	page 301
Rice Lake	RL8C2P1SST	VPG Revere	792 Compression Canister	page 302
Streeter Amet	3753070, 3752030, 3752040, 3751940	VPG Revere	CP Compression Canister	page 300
Streeter Amet	3760XXX	VPG Revere	CSP Compression Canister	page 301
Thurman	TSC 800	VPG Revere	5223 Double-ended Beam	page 293
Thurman	10088970A-50K	VPG Revere	9803 Double-ended Beam	page 295
VPG Celtron	HBB	VPG Revere	SHB Single-ended Beam	page 289
VPG Tedeo-Huntleigh	3411	VPG Revere	5123 Single-ended Beam	page 282
VPG Tedeo-Huntleigh	355	VPG Revere	SHB Single-ended Beam	page 289

VPG Sensortronics

Manufacturer	Model	Manufacturer	Model	Page #
Artech	50210	VPG Sensortronics	60040 Single-ended Beam	page 322
Artech	80210	VPG Sensortronics	65040A-1127W Double-ended Beam	page 332
Fairbanks	65023A-XX-5164	VPG Sensortronics	65023A-5297 Single-ended Beam	page 317
Fairbanks	Rodan 90814-40k	VPG Sensortronics	65061A Double-ended Beam	page 331
Fairbanks	Rodan 91088-50k	VPG Sensortronics	65061A Double-ended Beam	page 331
Fairbanks	63951	VPG Sensortronics	65114 Rocker Column	page 335
NCI	Mark III	VPG Sensortronics	60051 Single Point	page 324
NCI	Mark IX	VPG Sensortronics	60051 Single Point	page 324
NCI/Weigh-Tronix	Mark V	VPG Sensortronics	60048SS Single Point	page 323
Pennsylvania	65023A-XX-5141	VPG Sensortronics	65023A-5107-10 Single-ended Beam	page 315
Revere Transducers	5203	VPG Sensortronics	65016 Double-ended Beam	page 326
Rice Lake	RL20001	VPG Sensortronics	60001 S-beam	page 311
Rice Lake	RL20001HE	VPG Sensortronics	60063 S-beam	page 313
Rice Lake	RL35023	VPG Sensortronics	65023A Single-ended Beam	page 317
Rice Lake	RL30002	VPG Sensortronics	65023A Single-ended Beam	page 317
Rice Lake	RL35023S	VPG Sensortronics	65023SS Single-ended Beam	page 318
Rice Lake	RL35023S	VPG Sensortronics	65023S Single-ended Beam	page 319
Rice Lake	RL35083	VPG Sensortronics	65083 Single-ended Beam	page 320
Rice Lake	RL35082	VPG Sensortronics	65083S Single-ended Beam	page 321
Rice Lake	RL50210	VPG Sensortronics	60040 Single-ended Beam	page 322
Rice Lake	RL75016	VPG Sensortronics	65016 Double-ended Beam	page 326
Rice Lake	RL75016WHE	VPG Sensortronics	65016W Double-ended Beam	page 327
Rice Lake	RL75016WHE	VPG Sensortronics	65016WH Double-ended Beam	page 328
Rice Lake	RL75058	VPG Sensortronics	65058A Double-ended Beam	page 329
Rice Lake	RL75060S	VPG Sensortronics	65058S Double-ended Beam	page 330
Rice Lake	RL75040	VPG Sensortronics	65040A Double-ended Beam	page 332
Rice Lake	RL75040	VPG Sensortronics	65040S Double-ended Beam	page 333
Rice Lake	RL75223	VPG Sensortronics	65040A-1127W Double-ended Beam	page 334
Thurman	TSC 840	VPG Sensortronics	65040A Double-ended Beam	page 332
Thurman	TSC 800	VPG Sensortronics	65040A-1127W Double-ended Beam	page 334
VPG Celtron	STC	VPG Sensortronics	60001 S-beam	page 311
VPG Celtron	STC-SS	VPG Sensortronics	60050 S-beam	page 312
VPG Celtron	SQB	VPG Sensortronics	65023A Single-ended Beam	page 317
VPG Celtron	SQB-HSS	VPG Sensortronics	65083 Single-ended Beam	page 320
VPG Celtron	DSR	VPG Sensortronics	65016 Double-ended Beam	page 326
VPG Celtron	DSR-HSS	VPG Sensortronics	65016W Double-ended Beam	page 327
VPG Celtron	CLB	VPG Sensortronics	65058A Double-ended Beam	page 329
VPG Celtron	DLB	VPG Sensortronics	65040A Double-ended Beam	page 332
VPG Revere	5503	VPG Sensortronics	60040 Single-ended Beam	page 322
VPG Revere	5223	VPG Sensortronics	65040A-1127W Double-ended Beam	page 334
VPG Sensortronics	65023 SS	VPG Sensortronics	65023S Single-ended Beam	page 319
VPG Sensortronics	65016WH	VPG Sensortronics	65016W Double-ended Beam	page 327
VPG Sensortronics	65016W	VPG Sensortronics	65016WH Double-ended Beam	page 328
VPG Sensortronics	65040A	VPG Sensortronics	65040S Double-ended Beam	page 333

VPG Tedeia-Huntleigh

Manufacturer	Model	Manufacturer	Model	Page #
Flintec	PCB	VPG Tedeia-Huntleigh	1250 Potted Single Point	page 358
HBM	Z6	VPG Tedeia-Huntleigh	355 Single-ended Beam	page 345
HBM	PW16	VPG Tedeia-Huntleigh	1260 Single Point	page 355
NMB	C2G1	VPG Tedeia-Huntleigh	1022 Single Point	page 346
VPG Revere	SHB	VPG Tedeia-Huntleigh	355 Single-ended Beam	page 345
Rice Lake	RL30000	VPG Tedeia-Huntleigh	3411/3421 Single-ended Beam	page 342
Rice Lake	RL39123	VPG Tedeia-Huntleigh	3411/3421 Single-ended Beam	page 342
Rice Lake	RLHTO	VPG Tedeia-Huntleigh	3510 kg Single-ended Beam	page 344
Rice Lake	RLHBB	VPG Tedeia-Huntleigh	355 Single-ended Beam	page 345
Rice Lake	RL1521A	VPG Tedeia-Huntleigh	1022 Single Point	page 346
Rice Lake	RL1010	VPG Tedeia-Huntleigh	1010/1015 Potted and Unpotted Single Point	page 347
Rice Lake	RL1042	VPG Tedeia-Huntleigh	1042 Single Point	page 349
Rice Lake	RL1042	VPG Tedeia-Huntleigh	1042S Single Point	page 349
Rice Lake	RL1040	VPG Tedeia-Huntleigh	1040 Potted and Unpotted Single Point	page 350
Rice Lake	RL1140	VPG Tedeia-Huntleigh	1140 Single Point	page 352
Rice Lake	220	VPG Tedeia-Huntleigh	220 Compression	page 364
Rice Lake	RL1260	VPG Tedeia-Huntleigh	1260 Single Point	page 355
Rice Lake	RL1260	VPG Tedeia-Huntleigh	1260S Single Point	page 356
Rice Lake	RL1250	VPG Tedeia-Huntleigh	1250 Potted Single Point	page 358
VPG BLH	C2G1	VPG Tedeia-Huntleigh	1022 Single Point	page 346
VPG Celtron	SQB-HSS	VPG Tedeia-Huntleigh	3510 lbs Single-ended Beam	page 343
VPG Celtron	HBB	VPG Tedeia-Huntleigh	355 Single-ended Beam	page 345
VPG Celtron	LPS	VPG Tedeia-Huntleigh	1022 Single Point	page 346
VPG Celtron	LOC	VPG Tedeia-Huntleigh	1040 Potted and Unpotted Single Point	page 350
VPG Celtron	LOC	VPG Tedeia-Huntleigh	1250 Potted Single Point	page 358
VPG Celtron	HOC	VPG Tedeia-Huntleigh	1320 Single Point	page 359
VPG Revere	5123	VPG Tedeia-Huntleigh	3411/3421 Single-ended Beam	page 342
VPG Revere	9123	VPG Tedeia-Huntleigh	3411/3421 Single-ended Beam	page 342
VPG Sensortronics	65083	VPG Tedeia-Huntleigh	3510 lbs Single-ended Beam	page 343
VPG Tedeia-Huntleigh	1260	VPG Tedeia-Huntleigh	1260S Single Point	page 356
Weigh-Tronix	MK29	VPG Tedeia-Huntleigh	1130 Single Point	page 351

Shipping Information

FREIGHT SERVICES OFFERED	"SMALL PACK"	LTL	TRUCK LOAD
Nationwide Same Day Service	Y* ***	Y*	N
Next Day (AM)	Y**	Y**	Y**
Next Day (END OF DAY)	Y	Y**	Y**
2 Day	Y	Y	Y
3 Day	Y	Y	Y
Ground	Y	Y	Y
Canada	Y	Y	Y
Mexico	Y	Y	Y
Express Freight (Air-over 150 lb)***	Y	Y	N
International (Sea)	Y	Y	Y
International (Air)	Y	Y	N

* Subject to cost/distance

** Subject to distance

*** Subject to flight availability and proximity of nearest airport

Same Day Services

These services do not carry the same service guarantees that standard delivery schedules do and are subject to availability.

Small Parcel Services

We ship with internationally recognized parcel carriers based on delivery time and services offered.

Determining Dimensional Weight for Small Parcel Shipments for Air and Ground

When shipping via air services, couriers require that the shipping weight be determined by the greater of the actual weight of the boxed product or its dimensional shipping weight. The formula for calculating dimensional shipping weight is as follows:

Domestic shipments via Ground or Air: $L \times W \times H/139$.

International air shipments $L \times W \times H/139$.

Please note: Rice Lake Weighing Systems takes the added precaution of double-boxing some of our electronic products and balances. This may result in higher dimensional weight charges by the carrier. Even with this added precaution, we suggest that you always ship high precision and fragile products via air services to reduce excessive handling.

Less Than Truck Load (LTL)

Full service LTL coverage for the continental United States, Puerto Rico, Canada and Mexico.

Note: A standard LTL delivery is considered to be one that ships from either a company or partner dock to arrival at a standard commercial address with disposition of the goods at the rear of the truck to enable off loading by material handling equipment provided by the consignee at either ground level or via loading dock. Allied to this, the freight in question should be palletized and secured in a way to facilitate the safe handling of the freight with no one dimension over seven feet, six inches.

Any LTL delivery falling outside of this criteria may well accrue accessorial charges levied by the carrier in line with their tariff rules. It is recommended that any potential accessorial cost are discussed at the time of order placement so that these costs can be billed appropriately at the time of shipment. If this is not the case, Rice Lake reserves the right to charge the customer retrospectively for any accessorial costs incurred during the delivery process.

Accessorial charges include, but are not limited to the following:

Lift gate, call for appointment and guaranteed delivery: Day and by 10:30 a.m. (where available). Excessive length, inside delivery

NOTE: To inside of first threshold crossed only, high cost delivery areas such as government sites and mines, re-delivery, re-consignment, residential and restricted access shipments. All prices are available on request.

Full Truckload

Various truckload providers give us the ability to ship to the contiguous United States, Alaska, Canada and Mexico.

Forwarders (International Freight)

We can provide service through a forwarder of our choice, or select one of your preferred forwarders.

Air freight: All of our forwarders are internationally recognized brands.

Ocean freight: All of our forwarders are internationally recognized brands.

Shipping Information

Rice Lake Weighing Systems Freight Claims Procedure

Incidents can happen anytime between a package's departure from Rice Lake's loading dock and the time you receive it. For that reason, we are asking you to follow the procedures below when receiving a shipment.

The Bill of Lading (BOL) or Delivery Receipt (D/R) is the only record of the product's condition when it arrives at your site. If you do not inspect a shipment before signing, you are essentially waiving the right to collect on a damage claim regardless of whether the damage is visible or concealed. Your signature on a delivering carrier's BOL or D/R constitutes acceptance of the merchandise "as is." This proof is essential in filing a claim and holding the responsible parties accountable for items damaged or missing while in transit. Remember, once you sign, the goods and the responsibility are yours.

Receiving a Shipment

- Check immediately for possible damage during shipment. Inspect, examine and inventory your delivery as it is unloaded.
- Open cartons and containers. Any suspicion of damage or shortage must be noted on the BOL or D/R. This information must include the item, discrepancy and condition of the item in question. If this is NOT noted, the liability to prove the damage was done by the delivering carrier is your responsibility.
- The driver cannot leave your receiving dock until the BOL or D/R is signed, regardless if they are behind schedule or not. Do not be intimidated by the driver.

Damaged Shipment

- **Discovered Damage:** If the box, crate or merchandise is visibly damaged, beyond what you would consider to be normal shipping wear and tear, refuse the delivery and request a Return Authorization Number from the driver in order for the shipment to be sent back to its origin at no charge.
- **Concealed Damage:** Immediately document and photograph the damage and packaging. Keep all crating and packaging material with the damaged item(s) for inspection by the company's claim inspector until told to either return or dispose of the item(s). The item should be moved minimally; only to an area where it can be inspected by the carrier or their agent.
- Keep a second copy of the BOL or D/R noting the damage and the driver's signature.
- Call your Rice Lake Weighing Systems customer service representative to report the shortage and/or damage. Ideally, the call should be made before the driver leaves the site.

At this point, a claim for concealed damage will be started and an inspection will be requested. The inspector will determine if the damage was possibly caused by the carrier. A report and claim must be filed with the carrier within seven days after delivery. The sooner concealed damage is discovered and reported, the better.

Small Parcel Shipments

In general, it is the policy of small parcel carriers to NOT deliver damaged packages but rather take them back to the distribution center for evaluation. HOWEVER, that does not always happen. Occasionally if the package is deemed to be ok, it will be re-taped and delivered to the consignee. If damage is noticed while still at the distribution center, a notation should have been entered into the system.

If you do receive a package that appears to be damaged you can either refuse as damaged or you can accept the damaged package and report the damage (immediately) to your customer service representative here at Rice Lake with the tracking number. They will, in turn, contact the relevant team member from their support group so the claims process can be started. It should be noted that **Drivers do not normally note the package was damaged until it is brought back to the distribution center and a clerk does that.**

Customer Service Contacts

At Rice Lake Weighing Systems we strive to give you the best customer service in the industry. You can depend on our knowledgeable staff to deliver decisive, courteous assistance when you need it most.

Customer Service Representative Hours (CST):

Monday through Friday 6:30 AM to 6:30 PM; Saturday 8:00 AM to Noon

United States and Canada Field Sales



Michael Bordino
Southeast Region
715-434-5079



Tim Campbell
Great Lakes Region
715-434-5067



Jeff Canfield
Allegheny Region
715-434-5081



Jim Gruchalla
Lower Midwest
715-434-5084



Chris Hanson
Midsouth Region
715-434-5069



Reggie Mabe
Eastern Canada Region
715-434-5049



Monte Martinson
Upper Midwest Region
715-736-6466



Jim O'Brien
Northeast Region
715-736-6487



Murray Stewart
Western Canada Region
715-434-5194



Jeff White
Southwest Region
715-434-5047



Steve Delaney
Mid-Southwest Region
715-434-5293



Jon Spencer
Northwest Region
715-434-5370



Zach Hovey
Field Sales
715-434-5171

International Field Sales



Manuel Talancon
International Sales Director



Martin Devilla
Rice Lake de Mexico
715-434-5258



Jose Mathew
Southeast Asia
715-434-5048



Jaap Oosterlee
Master Brand Europe
715-434-5816



Frank Da Silva
Central/South America
715-736-6498



Alan Mostowfi
Middle East/Balkans
+39 344 2532967



Phil Maillols
Oceania
+61 45 144 1755



Marco Casolari
Northern Europe
+39 329 6499997



Steve Cox
England/Ireland
+44 07716 329 580



Luca Prampolini
Spain/Portugal/
Eastern Europe
+39 344 2528841



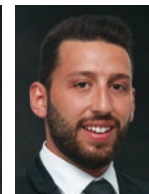
Andrea Mazzone
Italy
+39 377 1697446



Stefano Ferli
Italy/OEM
+39 351 273 1978



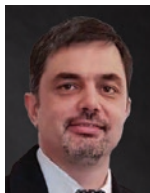
Vitaliy Domalchuk
Central Europe/Russia
+39 344 2686947
+49 174 3048927



Alessio Balatti
France
+39 344 2528126



Philippe Chikh
France
+33 613 028 310



Mathieu Favreau
France
+33 613 028 310



Alessandro Mattioli
China/Italy
+39 0536 843 418



May Deng
China
+86-21-66314055



Massimo Zanotti
Africa
+39 348 8707493



Paolo Picotti
Italy
+39 348 5213857

Customer Service Contacts

Customer Relations



Mark O. Johnson
Chief Executive Officer



Mark Johnson, Jr.
President



Steve Parkman
Chief Operating Officer



Nick Peterson
Chief Financial Officer



Joe Grell
Vice President Heavy Capacity



Steve Hersman
Vice President of Global Sales



Tom Kowalski
Vice President of Technology



Patrick Ranfranz
Vice President of Marketing



Dominic Hodkiewicz
Vice President of Manufacturing



Tom Guest
Sales Resource Manager



Tim Donahue
Senior Manager, Product Management



Guru Ganesh
Managing Director, India



Walter Hendriks
Managing Director, Master Brand, Europe



Massimo Corrandini
General Manager Engineering Modena, Italy



Enrico Tosi
General Manager Business/HR/Finance Modena, Italy



Kevin Marshall
Logistics Manager



Jim Norvid
Director of Mechanical Engineering



Brandi Harder
Quality Manager



Keven Jensen
Training and Warranty Coordinator

Inside Sales



Deanna Stanley
Inside Sales Manager



Shannon Abel



Eric Butzler



Becky Clausen



John Haselwander



Sonya Hegle



Stacie Lashmett-Stoebert



Gene Marquardt



Jason Mathews



Len Nicpon



Matt Piazza



KC Peterson



Ray Pumala



Ali Richter



Mike Solie



Sam Solie



Jamie Springer



John Tennant



Lynnette Thompson



Kally Wagner

Customer Service Contacts

Sales Engineers



Kyle Messerly
Technical Support
Manager



John Eisele



Doug Hagie



Chris Lancaster



Sharon Miller



Efrain Molinari
Habla Español



Mike Schilling



Marvin Stodola

Medical/Animal Sales



Staci Wiesner
715-434-5124

Heavy Capacity Sales



Karen Hansen



Tony Zillmer



Mike Solie

International Region



**Jennifer
Krahenbuhl**



Gloria Miranda
Habla Español



Bobbie Stiver
Habla Español
Parle Français

Livestock Sales



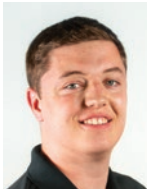
Andy Burish
Product Manager



Len Nicpon



Gene Marquardt



Mike Solie



Tony Zillmer

MSI



Phil Gray
Director of
Operations



Bob Davis
Field Sales Engineer



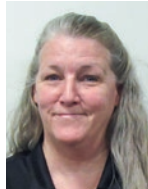
Patrick Hillman
Technical Sales &
Service Specialist



Rob Nelson
Engineering
Manager



Jack Nelson
Technical Sales
Specialist



Sue Radowick
Inside Sales

Customer Service Contacts

Technical Support



Kyle Messerly
Technical Support
Manager



Alan Dobrowolski



Joe Heinicke



Mark Hopland



Peter Jacobs



Torey Nelson



Brehven Oehlke



Preston Reed



Brady Reetz



Scott Ross



Greg Stager
Parle Francais



Gabriel Ruberti



Layne Siverling



Joel Thompson



Mark Ware

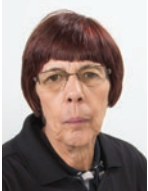


Don O'Connell
Retail

Repair Department



Phil Stoeberl
Electronic Assembly
Repair Manager



Diane Gagner
Warranty>Returns



Lisa Maciosek
Warranty>Returns



Randee Bauch



David Deitz



Deb Hayton



Chad Dobrowolski



Tracy Lavalier



Joe Robinson



Brian Veitch

Receptionists



Terica Schamberger
Support Department
Supervisor/Sales
Referral Coordinator



Laura Brooten



Chantel Holmes



Tawni Moin



Trish Schultz

Financial Services



Lynette Marshall
Financial Services
Manager



Wendy Boese
Senior Account
Analyst



Terri Brinker
Account Analyst



Nicole Dostal
Senior Account
Analyst



Marcia Fankhauser
Account Analyst



Katie Garling
Invoicing Clerk



Leanne Madsen
Account Analyst



Melissa Olson
Account Analyst

Customer Assistance

Product Support

Rice Lake Weighing Systems strives to provide you with the most current and accurate information in our Load Cell Guide. Manufacturers occasionally change specifications or prices after the publication is printed, which is beyond our control. Please consult our sales staff or our website at www.ricelake.com for the most current information.

Returns

Our commitment to our distributors states that if any standard product purchased from Rice Lake Weighing Systems does not work, or if the incorrect product is shipped, return it in its original shipping container with all accessories for full credit or replacement within 30 days of purchase. Always inspect the product upon receipt.

Please note that if the incorrect amount of product was shipped, Rice Lake Weighing Systems must be contacted within 30 days of the purchase. Upon notification, we will immediately correct the situation.

We may, at our option, assess a restocking charge if the equipment was incorrectly specified for the application intended, and/or damaged beyond reasonable repair. The restocking charge is directly proportional to the amount of time and material required to return the item to resalable condition—we will make every effort to do this quickly and economically. Equipment that has been abused and/or shows signs of excessive wear, and cannot be reconditioned and resold, will not be accepted for return.

As Applied to Drop Shipments

All Rice Lake Weighing Systems return guidelines apply to products drop-shipped to your end-user customer. If a perceived error occurs, Rice Lake Weighing Systems will investigate to the best of our ability to determine if the error occurred prior to shipping, during shipping or at the end-user site. If our records and subsequent investigation indicate that the shipment was correct when it left our factory, our responsibility extends only to the distributor, not their end-user. Our standard product warranty notes that our coverage extends only to equipment and systems properly installed by a distributor.

Trademark Recognition

The following product names, logos, brands and other trademarks featured or referred to within this publication are the property of their respective trademark holders.

Revere Technologies®

DigiTol®

Flintec®

Artech®

VPG-Celtron®

VPG-Sensortronics®

VPG-Tedea-Huntleigh®

HBM®

Mettler-Toledo®

Toledo™

NCI™

Howe™

PreVent™

Cardinal®

Masstron®

Fairbanks®

Weigh-Tronix®

Avery Weigh-Tronix®

Thurman®

Unibridge®

Howe Richardson®

Streeter Amet®

VPG-BLH®

NMB®

Streeter Richardson®

Interface®

VPG-Revere®

NV Technology®

Pennsylvania®

Power Cell®

Hecon®

Terms and Conditions

The terms “buyer,” “authorized reseller,” and “customer” as used herein, shall mean the party placing the purchase order with Rice Lake Weighing Systems. No contractual relationship between Rice Lake Weighing Systems and said party shall arise until such time as a purchase order has been accepted by Rice Lake Weighing Systems and such acceptance has been indicated on a written acknowledgment. Orders shall be subject to Rice Lake Weighing Systems’ standard terms and conditions as printed below, subject to correction for clerical errors.

Any conditions stipulated by the buyer which are in contradiction to these sales terms and conditions shall only be valid if expressly acknowledged by Rice Lake Weighing Systems in writing.

1. Prices

(a) Rice Lake Weighing Systems (Rice Lake) prices are net 30 days Ex Works Rice Lake plants. Orders are subject to approval of our credit department with rights reserved to change or withdraw credit terms without notice and to terminate any orders when invoices for work done thereon have gone unpaid for 60 days.

(b) Prices do not include taxes of any kind by federal, state, municipality or other governmental authority, which Rice Lake may be required to collect or pay with respect to the sale or shipment of goods sold hereunder. Regardless of when any such taxes are determined or become payable, all taxes would be the responsibility of the customer and would be in addition to the prices quoted hereon.

(c) This quotation is made upon the basis of the cost of materials and labor as of the date of this quotation. A change in such costs shall give Rice Lake the right to alter prices to reflect such changes in cost.

(d) Requests for additional documentation, drawings, audits of factories or inspection of equipment in-process, additional testing, additional inspections and record retention will be quoted as a separate item even if we have already issued quotations for products and services.

2. Shipment, Title, Risk of Loss

(a) All shipments are Ex Works point of shipment. Title and risk of loss or damage passes to the customer upon presentation of the goods to the customer’s carrier at Rice Lake’s facility.

3. Quantity, Materials and Tolerances

(a) Rice Lake assumes no responsibility for loss or damage occurring by reason of delay or inability to deliver caused by fires, strikes, accidents, embargoes, car shortages, delays of carriers, insurrection, riots, acts of the civil or military authorities, nor will we assume responsibility for any reason whatever for damages of any kind on account of failure to deliver at the time specified. The customer shall indemnify and hold Rice Lake harmless from all direct and consequential costs and damages resulting from such loss or delay.

4. Weight Calibration Services

The uncertainty of measurement is included in the decision rule in determining pass/fail criteria of the Maximum Permissible Error (MPE).

5. Patents

If this quotation covers parts made specifically for the customer, the customer agrees to indemnify and hold Rice Lake harmless against any loss resulting from infringement of patents or trademarks, or from claims of such infringements and shall pay all legal and defense costs incurred by Rice Lake in the defense of such actions.

6. Software

Unless specifically otherwise stated, any and all software associated or part of any product sold, loaned on trial or demonstration to the customer is to be considered proprietary to Rice Lake. The customer agrees not to duplicate for distribution or to sell or distribute in any way without the prior written consent of Rice Lake.

7. Changes and Cancellation: Rejection, Claims

(a) Orders placed with Rice Lake are not subject to cancellation, change or reduction in amount or suspension of deliveries except with Rice Lake’s consent and upon terms that indemnify Rice Lake against loss. Unless confirmed in writing, all verbal agreements are void.

(b) Rice Lake will not be responsible for changes in design, deliveries or other instructions, unless they are furnished in writing. The customer agrees to pay for all tooling charges caused by changes in design or specifications.

(c) Samples submitted shall be deemed approved unless written rejection is received within two weeks of submission.

(d) Manufactured parts will be shipped and billed as they are produced.

(e) Claims for shortage or rejections for defects must be made within 10 days of receipt of goods. Credit will be rendered on such defective parts after we have had an opportunity to inspect them, provided they are returned to our factory, transportation charges prepaid, within 30 days, and provided they have not been altered or defaced in any way.

8. Tooling and Designing

(a) In consideration of the engineering service necessary in the designing of jigs, fixtures and tooling not being charged for, but being quoted on the basis of labor and material only, and not at their fair market value, such jigs, fixtures and tooling shall remain in our possession for at least one year. Thereafter, the customer desiring delivery of such jigs, fixtures and tooling shall pay an engineering charge of 50 percent of the original price of said jigs, fixtures and tooling and accept same as-is.

(b) When requested, we will submit suggestions concerning design and construction of parts, but we will not accept responsibility of liability for the practicability of these suggestions if adopted by the customer.

9. Delivery and Adjustment to Price

(a) If the customer requests that the goods be manufactured and shipped on a date (or dates) earlier than originally agreed to by Rice Lake and the customer, and Rice Lake agrees to the earlier date (or dates), any increase in the cost of performance incurred by Rice Lake resulting from earlier manufacture and shipment will be included in an adjustment of the purchase price to be made by Rice Lake and will be paid by the customer.

Terms and Conditions

(b) Should shipments be held beyond scheduled date for convenience of the customer, goods will be billed and charges will be made for warehousing, trucking and other expenses incident to such delay. Reasonable and sufficient care is taken by Rice Lake in crating its goods. Rice Lake cannot be held responsible for breakage after having received “in-good-order” receipts from the transportation carrier. All claim for loss and damage must be made by the customer to the carrier, but we will assist insofar as practical in securing satisfactory adjustment of such claims.

10. Payment and Liens

(a) All invoices shall be due and payable when submitted for payment in accordance with the revisions of Rice Lake terms. No withholding of funds, back charges or credits against amounts otherwise due to Rice Lake will be permitted unless specifically agreed to in writing by Rice Lake. Settlement of any amounts due to the customer will be negotiated as separate items and not as offsets against amounts otherwise due to Rice Lake from the customer for products sold hereunder.

(b) Any unpaid account for work done shall constitute a lien on any jigs, fixtures, manufactured parts and raw materials in Rice Lake possession. In the event any account remains open and unpaid for 90 days, Rice Lake reserves the right to use the customer’s jigs and fixtures to make parts therefrom, and to sell or dispose of manufactured parts and raw materials.

(c) The customer shall not assign or transfer any rights or obligations arising from this proposal, or monies payable thereunder, without the prior written consent of Rice Lake, and any such assignment or transfer made without such written consent shall be deemed null and void.

11. Additional Provisions

(a) Errors—stenographic and clerical errors are subject to correction.

(b) These terms and conditions constitute the entire contract between the customer and Rice Lake, transcending any oral arrangements or representations which may be inconsistent therewith.

(c) This quotation is made under and shall be governed by the laws of the state of Wisconsin.

12. Resale of Rice Lake Weighing Systems Products

In order to ensure compliance with the U.S. Export Administration Regulations we ask you to comply with the following:

(a) The customer shall not export or re-export Rice Lake Weighing Systems products, either directly or indirectly, in contravention of any applicable law, statute or regulation and will first obtain any required licenses or authorizations from the relevant government authority when necessary as prescribed by law.

(b) The customer confirms that it is familiar with and complies with the relevant national and international export control regulations and embargo regulations. The customer furthermore confirms that it is in particular familiar with and complies with the U.S. Department of Commerce, Export Administration Regulations; U.S. Department of Treasury, OFAC Sanctions; the U.S. Department of Defense, ITAR requirements and the U.S. Department of State regulations.

(c) If deemed necessary, Rice Lake Weighing Systems, in individual cases may make further requests from the customer for information required for export compliance.

(d) Should it be necessary for the customer to obtain an export license from the appropriate authorities pursuant to the aforementioned regulations, the customer shall apply for such a license autonomously and at their own expense.

The foregoing warranties are exclusive and in lieu of all other express and implied warranties whatsoever, including but not limited to implied warranties of merchantability and fitness for a particular purpose. Rice Lake shall not be subject to any other obligations or liabilities whatsoever with respect to parts manufactured or supplied by Rice Lake or services rendered by it.

Anything herein to the contrary notwithstanding, Rice Lake shall not be liable for incidental and consequential damages, and in substitution for all remedies which the customer may have under any applicable law. The customer’s sole and exclusive remedy against Rice Lake for any breach of warranty or any other breach relating to goods delivered pursuant hereto shall be for repair or replacement (at Rice Lake’s option) of the goods or parts effected by such breach.

Warranties

Standard Product Limited Warranty

Rice Lake Weighing Systems (Rice Lake) warrants that all Rice Lake brand equipment and systems properly installed by an Authorized Reseller or original equipment manufacturer (OEM) will operate per written specifications as confirmed by the authorized reseller/OEM and accepted by Rice Lake. All systems and components are warranted against defects in materials and workmanship for one (1) year from the date of shipment from Rice Lake, unless otherwise stated in the product catalog or manual. Rice Lake warrants that the equipment sold here under will conform to the current written specifications authorized by Rice Lake. Rice Lake warrants the equipment against faulty workmanship and defective materials. If any equipment fails to conform to these warranties, **Rice Lake will, at its option, repair or replace such goods returned within the warranty period subject to the following conditions:**

Upon discovery by the Customer of such nonconformity, Rice Lake will be given prompt written notice with a detailed explanation of the alleged deficiencies.

Individual electronic components returned to Rice Lake for warranty purposes must be packaged to prevent electrostatic discharge (ESD) damage in shipment. Packaging requirements are listed in the publication, “Protecting Your Components From Static Damage in Shipment,” available from the Rice Lake Equipment Return Department.

Examination of such equipment by Rice Lake confirms that the non-conformity actually exists, and was not caused by accident, misuse, neglect, alteration, improper installation, improper repair, or improper testing. Rice Lake shall be the sole judge of all alleged non-conformities.

Warranty and Limitation of Liability

Such equipment has not been modified, altered, or changed by any person other than Rice Lake or its duly authorized repair agents.

Cutting the load cell cable will void the warranty.

Rice Lake will have a reasonable time to repair or replace the defective equipment. The Customer is responsible for shipping the product to Rice Lake. Rice Lake is responsible for shipping the product back to the Customer.

In no event will Rice Lake be responsible for travel time or on-location repairs, including assembly or disassembly of equipment. Nor will Rice Lake be liable for the cost of any repairs made by others.

On all intrinsically safe equipment, any field repair or modifications voids any and all warranties expressed or implied and void F.M. approval.

Any loose hardware, screws, washers or non-ESD bags of hardware stored inside indicator will void warranty. This could cause harm to repair technician or damage CPU board.

If just the board is sent in for repair, the serial number of the product the board is from should accompany the board.

These warranties exclude all other warranties, expressed or implied, including without limitation warranties of merchantability or fitness for a particular purpose. Neither Rice Lake nor the authorized reseller will, in any event, be liable for incidental or consequential damages at the point of use. Rice Lake and the Customer agree that Rice Lake's sole and exclusive liability here under is limited to repair or replacement of such goods. In accepting this warranty, the Customer waives any and all other claims to warranty.

Should the seller be other than Rice Lake, the Customer agrees to look only to the seller for warranty claims. No terms, conditions, understanding, or agreements purporting to modify the terms of this warranty shall have any legal effect unless made in writing and signed by a corporate officer of Rice Lake and the Customer.

Carrier Product Damage

As part of our commitment to customer satisfaction and in accordance with ISO 9001 standards, we make every attempt to pack our products so they will arrive in new condition. Occasionally due to rough handling or carelessness of carrier, product may arrive in a damaged condition. When this happens, don't assume that the shipment left Rice Lake in that condition or that the original packing was not sufficient.

The receiver, whether it is the authorized reseller or their Customer, is responsible for making a notation of damaged or missing items when signing the carrier's delivery receipt. If you or your Customer are not sure whether there is damage, we suggest adding a statement "CONDITION UNKNOWN" to the delivery receipt. In the event that damage or missing items are not properly documented at time of receipt, the carrier is relieved of responsibility and the receiver is then responsible for the cost to get the product back to new condition.

After the damage or shortage has been properly noted with the carrier, contact Rice Lake immediately and keep all the original packaging material for inspection by the carrier's representative. It is also helpful in the claim process to take pictures of the condition of the packaging and damage.

When drop-shipping items to your Customers, it is imperative that you advise them of their responsibility in accepting shipments from common carriers. Even if the equipment is not expected to be installed or used for a period of time, the shipment must be inspected at time of receipt in order to preserve their rights for making a claim.

Custom Software Limited Warranty

Rice Lake Weighing Systems (Rice Lake) warrants that (a) the software will perform in accordance with the specification and accompanying written endorsement by the Customer for a period of 90 days from the date of receipt; (b) any hardware accompanying the software will be free from defects in materials and workmanship under normal use and service for a period of one (1) year from the date of shipment from Rice Lake; and (c) the Customer should perform inspection and testing of software products prior to installation.

This limited warranty is void if failure of the software or hardware has resulted from accident, abuse, misapplication, or incorrect Customer specification. Any replacement software will be warranted for the remainder of the original warranty period or 30 days, whichever is longer.

If the software fails to conform to these warranties, Rice Lake will, at its option, repair or replace such goods returned within the warranty period subject to the following conditions:

Upon discovery by the Customer of such nonconformity, Rice Lake will be given prompt written notice with a detailed explanation of the alleged deficiencies.

Examination of software by Rice Lake confirms that the nonconformity exists, and was not caused by accident, misuse, neglect, alteration, improper installation, improper repair, improper testing, or incorrect Customer specification. Rice Lake shall be the sole judge of all alleged non-conformities.

Rice Lake will have a reasonable time to repair or replace the software. The Customer is responsible for shipping charges both ways.

In no event will Rice Lake be responsible for travel time or on-location repairs, including assembly or disassembly of equipment. Nor will Rice Lake be liable for the cost of any repairs made by others.

These warranties exclude all other warranties, expressed or implied, including without limitation warranties of merchantability or fitness for a particular purpose. Neither Rice Lake nor the authorized reseller will, in any event, be liable for incidental or consequential damages at the point of use.

Rice Lake and Customer agree that Rice Lake's sole and exclusive liability here under is limited to repair or replacement of such goods. In accepting this warranty, the Customer waives any and all other claims to warranty.

Warranty and Limitation of Liability

Should the seller be other than Rice Lake, the Customer agrees to look only to the seller for warranty claims.

No terms, conditions, understanding, or agreements purporting to modify the terms of this warranty shall have any legal effect unless made in writing and signed by a corporate officer of Rice Lake and the Customer.

Return Policies

Our commitment to our Customers states that if any standard product purchased from Rice Lake does not work, or if the incorrect product is shipped, **return it in its original shipping carton with all accessories in “like new” condition for full credit or replacement within 30 days of purchase. Electronic components returned to Rice Lake must be properly packaged to prevent electrostatic discharge (ESD) damage in shipment.** Packaging requirements are listed in the publication, “Protecting Your Components from Static Damage in Shipment,” available online or from our Returns Department. This policy and the 30-day limit also apply to any products drop-shipped directly from the manufacturer.

Please note that if an incorrect quantity of product was shipped, Rice Lake must be contacted within 10 days of the purchase. Upon notification, we will immediately correct the situation.

A restocking charge will apply if equipment is not in like-new condition. The restocking charge is directly proportional to the amount of time and material required to return the item to resalable condition—we will make every effort to do this quickly and economically. Equipment that has been abused and/or shows signs of excessive wear and cannot be reconditioned and resold will not be accepted for return or credit after excessive wear or has been modified.

As Applied to Drop Shipments

All Rice Lake return guidelines apply to products drop-shipped directly from the manufacturer. If a perceived error occurs, Rice Lake will investigate to the best of our ability to determine if the error occurred prior to shipping, during shipping, or at the end user site. If our records and subsequent investigation indicate that the shipment was correct when it left our factory, our responsibility extends only to the authorized reseller, not their end user. Our standard product warranty notes that our coverage extends only to equipment and systems **properly installed by an authorized reseller.**

Obtaining an RMA

A return authorization number (RMA) is required for all materials being returned to Rice Lake for credit. Flat rate repairs require purchase orders at time of RMA issuance. When returning equipment for repair or warranty reimbursement consideration, these simple steps will help to expedite your request:

1. Contact our Returns Department.
2. Please have your customer number and both the item description and detailed findings of product problem for repair.
3. Please have the original sales order or invoice number for items to be returned for credit or warranty.
NOTE: See return policy
4. An RMA number will be given for eligible returns. This RMA number may also be faxed or emailed per your request.

Return Shipments Outside the United States for Repair, Warranty, Calibration or Other Services and Re-export.

For shipment to the USA:

1. The commercial invoice must include the following statement:
 - i. “These goods are being returned for maintenance under”
 - ii. Goods Made in the USA -- “HTS 9801.00.1012”
 - iii. Goods NOT made in the USA -- “HTS 9801.00.2500”
2. The commercial invoice must list items individually and include the fair market value of the item based on its present condition for customs purposes only.
3. Please reference original Rice Lake commercial invoice number and date item was purchased if applicable.
4. Please note that failure to follow these procedures may cause delay and will certainly incur extra charges that will NOT be absorbed by Rice Lake.

Return Shipments Outside the United States Other Than for Repair, or Service Work Not Being Returned.

For shipment to the USA:

1. The commercial invoice must include the following statement:
 - i. Goods Made in the USA -- “HTS 9801.00.1045”
 - ii. Goods NOT made in the USA -- “HTS 9801.00.2500”
2. The commercial invoice must list items individually and include the fair market value of the item based on its present condition for customs purposes only.
3. Please reference original Rice Lake commercial invoice number and date item was purchased if applicable.
4. Please note that failure to follow these procedures may cause delay and possible reduction in your refund.
5. Please be advised that you may qualify for a refund of your duties and should contact your local customs authority for instructions and forms.

Special Order, Modified, Non-Catalog, or Non-Stock Items

Due to the added resources and difficulty in reselling special or non-standard products, returns or credit are not allowed for special order equipment, special software programs, equipment physically modified or altered in the field, discrete electronic components, relays, manuals, or opened software packages.

Calibration Test Weights

All weights returned for credit will be assessed a restocking charge because of the required inspection and verification. Credit is not allowed for serialized weights, calibration or traceable services performed on weights.

Warranty and Limitation of Liability

Calibration Test Weights

No returns will be accepted for items that are specifically modified for the Customer's requirements. Examples of such modifications may include, but not necessarily limited to:

1. Weights that have been specifically built to the customer's specifications.
2. Standard product specifically modified to the customer's specifications.
3. Standard product engraved with serial numbers at the customer's request.
4. Laboratory procedure charges.
5. Laboratory documentation fees.

Balances

Balances returned for credit within 30 days of purchase may be subject to a restocking fee if assessed by balance manufacturer.

Balance Repair Policy and Rates

We offer repair support on the following balance models:

- All Rice Lake brand models: Once we receive the equipment and the RMA form, an estimate will be prepared.

A minimum charge of one hour will apply. All balance repairs are covered by a 90-day limited warranty on parts and workmanship performed and noted under the scope of the specific repair.

Balances must be packaged to adequately protect them from damage in transit. Please refer to "How to Prepare a Balance for Shipment" available on our website and from our Returns Department.

How to Prepare a Balance for Shipment

The best and most effective method for shipping a balance at any time and for any reason is to use the original manufacturer's packaging materials and subsequently double box it as described below. Teach your Customers to retain the packing set. Please remember that due to the nature of the equipment, new packaging materials can be very expensive.

In the event that the original manufacturer's packaging materials are not available, follow these instructions for top loading balances.

1. Remove the weighing platform cover, support buttons, weighing platform, floor plate and other devices installed in the weighing chamber. Pack these pieces individually in bubble wrap and tape the wrapping closed. Follow this same procedure for AC adapters and power cords. Please note that AC adapters and power cords are necessary to adequately evaluate the problem.
2. Examine the device (refer to the operating instructions) and if necessary, re-install or tighten any shipping screws/retaining devices to prevent damage to the weighing mechanism during shipment.
3. If the floor plate is not removable, ensure it is securely in place and cannot come loose during shipment, even if the balance is inverted. Do NOT invert the balance to test the security of the floor plate.
4. Clean the device of any loose debris or potential contaminants to our testing facility.
5. Prepare and sign a Statement of Decontamination (form #0679). This form MUST be included in a separate packing list envelope on the outside of the box with the "Statement of Decontamination Form" statement clearly visible.
6. Using Scotch tape or "speed" tape, tape all the glass doors on the device CLOSED. Be sure the tape is securely affixed and will not come off during shipment. Please note that on some devices, the glass breeze-break around the weighing chamber can actually be disassembled and packed separate prior to shipment. Refer to the manufacturer's operating instructions. If this is a feature of the device being return, disassemble the breeze break and pack it in its own packing material and box.
7. Use a large box that will provide a minimum of 3 inches of space around the device for loose-fill packing material.
8. Place a padding of foam or Styrofoam (at least 1/2 inch thick) at the bottom of the box.
9. Place the balance in a large plastic bag and seal the bag closed.
10. Please put the device on top of the foam padding or Styrofoam from step 8 above.
11. Ensure that there is at least three inches of clearance between the top of the balance and the top of the box.
12. Using generous amounts of anti-static loose-fill packing material, fill all the spaces around the balance. Shake the box to cause the material to settle and add additional loose fill as necessary.
13. Place the small box containing all the items from step 1 above on top of the loose fill covering the balance. Add additional loose fill to completely cover all items within the box.
14. Double pack this box in another box that will again provide an additional two inches of space around the inner box. Fill all existing space between the inner and outer box with copious amounts of anti-static loose fill packing material.
15. Seal the box and include all the necessary documentation on the outside of the box. Don't forget the Decontamination Form (form #0679) from step 5 above.

Repair Service Policies

Our Service Department is staffed Monday through Friday from 6:30 A.M. to 6:30 P.M., and Saturday from 8:00 A.M. to noon, Central time. For those utilizing the conveniences of the internet, we have an e-mail address dedicated to technical support. Please contact Rice Lake at service@ricelake.com for answers to your technical questions and the status of repair products during normal business hours.

We provide quality and timely repairs for the products we sell. Flat rate repair is offered for selected models of indicators, printers and remote displays. Prior to returning a product for repair, our returns department will work with you to determine some key factors that will help Rice Lake better serve you. Please provide the following via phone to extensions 5348 or an RMA form.

Warranty and Limitation of Liability

- Customer Number: Without a customer number we cannot issue an RMA number.
- Ship-to Address: Your customer number will bring up the bill-to address. You must inform Rice Lake of the ship-to address if it's different than the bill-to address.
- **Original sales and invoice orders: Required on warranty claims.**
- Freight Type: Unless stated otherwise, we ship the device back to you utilizing the same freight type in which we received it. If Rice Lake is responsible for freight charges, the carrier will be selected at the sole discretion of Rice Lake.
- **Definition of Product and Problem: Please provide as much detail as possible regarding the type of product, application and problem.**
- Purchase Order Number for Flat Rate Repair: Once we receive the equipment and the RMA, equipment for flat rate repair will be processed immediately. Other equipment will be evaluated and a minimum evaluation charge will apply (contact the factory for exact pricing).

You may be asked about the possibility of a new replacement product. It may be in your customer's best interest to explore the option of purchasing a new product if the repair will exceed 50 percent of authorized reseller net price, since new products carry full-warranty benefits.

Please note our hourly service rate on all current Rice Lake products. Contact the factory for exact pricing. There is a 120-day limited warranty on parts and workmanship performed and noted under the scope of the specific repair.

California Proposition 65 Rice Lake Weighing Systems Statement

Proposition 65 requires businesses to inform Californians about exposures to chemicals that are known to cause cancer, birth defects or other reproductive harm. These chemicals may be in the products you purchase, or they may be exposed to you at home, at the workplace or within the environment. Proposition 65 enables Californians to make informed decisions about their exposures to these chemicals.

Rice Lake Weighing Systems wants to be proactive in regards to Proposition 65 and provide information about the products we produce, distribute and use to manufacture equipment we sell.

We are providing this warning based on the knowledge that one or more chemicals included in the California Proposition 65 list known to cause cancer, birth defects or other reproductive harm may be present in Rice Lake Weighing Systems products and workplaces.



WARNING: Chemicals listed in California Proposition 65 known to cause cancer, birth defects or other reproductive harm may be present only in trace amounts or contained within Rice Lake Weighing Systems products and proper encapsulation equipment. This warning is provided out of an abundance of caution to enable you to be an informed consumer.

More information about California Proposition 65 can be found at www.P65Warnings.ca.gov

Using Ingress Protection (IP) Ratings

For load cell sealing techniques, Rice Lake Weighing Systems uses the Ingress Protection (IP) rating system. We find the IP numbers and their definitions are suitable for the classification of load cells and only apply IP numbers to such cells. The IP numbers on a load cell further specify the treatment a specific cell can endure in environments more severe than simple washdown.

All load cell cables should be run through conduit to increase protection against moisture ingress

Example: Protection level offered by an IP67 rated product

IP 67

Protection against solid objects

First number (in this case 6)

- 0 No protection
- 1 Protected from solid objects up to 50 mm (e.g., accidental touch by hands)
- 2 Protected from solid objects up to 12 mm (e.g., fingers)
- 3 Protected from solid objects more than 2.5 mm (e.g., tools and small wires)
- 4 Protected from solid objects more than 1 mm (e.g., small wires)
- 5 Protected from dust; limited entrance (no harmful deposit)
- 6 Totally protected from dust

Protection against liquids

Second number (in this case 7)

- 0 No protection
- 1 Protected from vertically-falling drops of water (e.g., condensation)
- 2 Protected from direct sprays of water up to 15° from vertical
- 3 Protected from direct sprays of water up to 60° from vertical
- 4 Protected from water sprayed from all directions; limited entrance allowed
- 5 Protected from low pressure jets of water from all directions; limited entrance allowed
- 6 Protected from strong jets of water (e.g., for use on ship decks); limited entrance allowed
- 7 Protected from the effects of immersion between 15 cm and 1 m for 30 minutes
- 8 Protected from extended periods of immersion under pressure

IP Numbers with Hermetically Sealed (HS) or Environmentally Protected (EP) Ratings

Rating	Protection
EP	Dust proof, not protected from moisture or water
IP65	Dust proof, protected from splashes and low-pressure jets
IP66	Dust proof, protected from strong water jets
IP67	Dust proof, protected from temporary immersion in water 1 meter deep for 30 minutes
IP68	Dust proof, protected from continuous immersion in water under more severe conditions than IP67
IP66/68	Dust proof, protected from strong water jets and/or constant immersion
IP69K	Dust proof, protected from high pressure washing and steam cleaning

Weigh Module Application



This Weigh Module Application form will help you and your customer choose the best weigh module kit for their application. It has the most commonly asked questions and the back can be used to sketch the application, make notes or draw the bolt pattern needed to mate the legs and mount plates. A copy should be made for your files for future reference.

CONTACT INFORMATION

Sales Organization _____ Sales Person _____
Dealer/Customer Number _____ Email _____
Phone _____ Address _____
City _____ State _____ Zip _____

APPLICATION NOTES

Is the application washdown? Yes No High Pressure Steam
Ambient temperature that load cells will be exposed to _____
List of chemicals that load cells will be exposed to _____
Is weighing environment considered explosive, if so please provide class, group and division area is classified as _____
Is FM approval required for the load cells? Yes No
Is ATEX approval required for the load cells? Yes No
Are NTEP Certified load cells required? (Legal for Trade) Yes No
Type of vessel being weighed _____
 Tension Compression Vertical Horizontal
Configuration of vessel? Round Square Rectangle
Number of supports or weigh points? _____
Product being weighed _____
Desired material of load cell? Stainless Alloy steel Aluminum
Desired material of mount assembly? Stainless Alloy steel
Live load of material? _____ lbs _____ kgs
Dead load of vessel? _____ lbs _____ kgs
Any mixers or motors that are part of the vessel. If yes, location and size (horsepower) _____
Will there be shock loading? Yes No If yes, provide calculation or description _____

Notes: _____

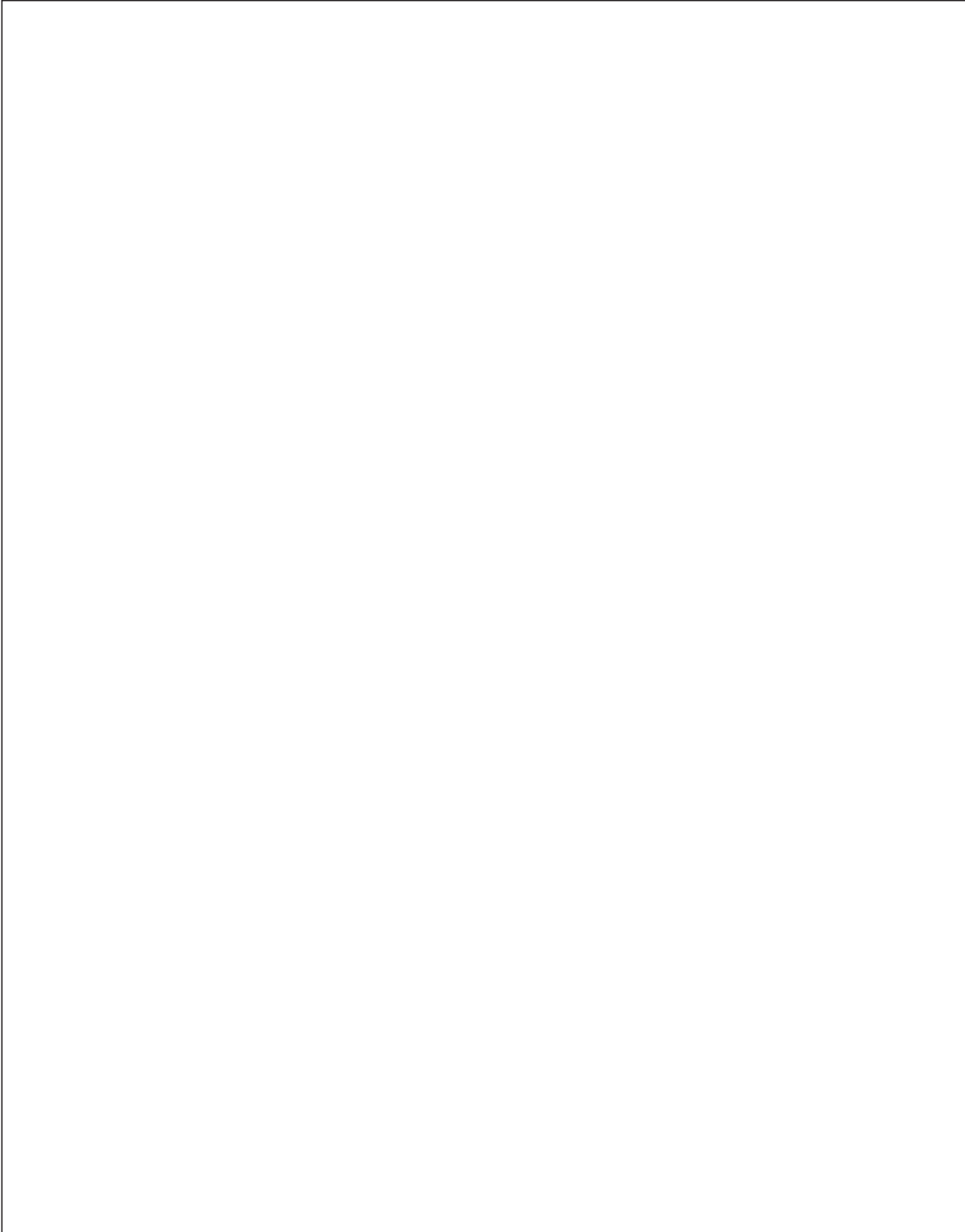
An ISO 9001 Registered Company ©2021 Rice Lake Weighing Systems 11/21 Prices and specifications subject to change without notice. Visit ricelake.com for current prices.

CUSTOMER ASSISTANCE

www.ricelake.com | Phone: 800-472-6703



Any modifications desired for the weigh module, i.e. top or bottom plate size, bolt hole pattern?
If so, please provide sketch below:



Survivor Weigh Modules

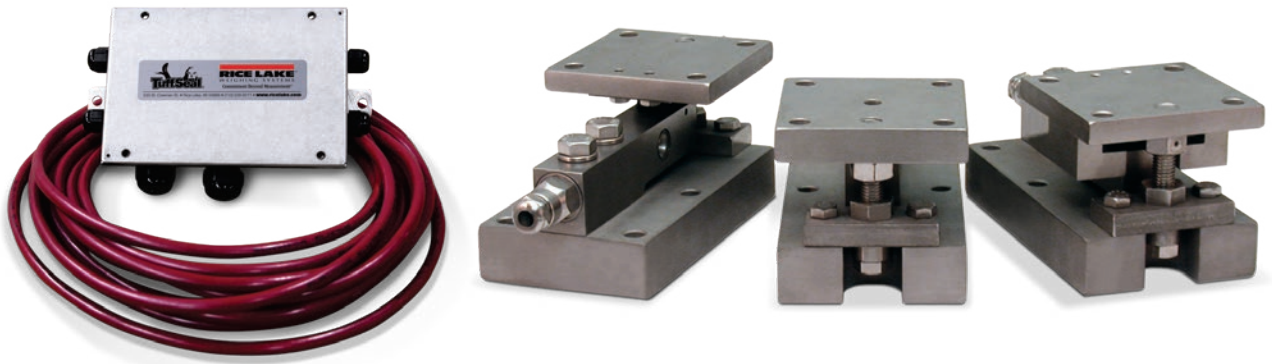
TABLE OF CONTENTS

SURVIVOR® PARAMOUNTS® HE	32
<i>Medium-capacity Weigh Module Systems</i>	
RL1700 HE	34
<i>Light- to Medium-capacity Weigh Modules</i>	
RL1600 HE	36
<i>Medium-capacity Weigh Modules</i>	
RL1855 HE-HS	38
<i>Medium-capacity Weigh Modules with Hermetically Sealed Load Cells</i>	
RL2100 HE	40
<i>Heavy-capacity Weigh Modules</i>	

Product names, logos, brands, and other trademarks featured or referred to within this publication are the property of their respective trademark holders.

SURVIVOR® Paramounts® HE

Medium-capacity Weigh Module Systems



Picture is a representation of actual product.

Consisting of three different weigh module designs, the Paramounts system offers superior accuracy, even in applications with extreme expansion, contraction and vibration. The fixed-pin module acts as the vessel's primary reference point, enabling rotation. A single side-stop module is then paired with the fixed-pin module to permit mechanical expansion and contraction in one direction. The vessel then becomes a high-accuracy weighing system with the addition of one to six free-sliding modules. This system offers the free motion necessary to eliminate unwanted mechanical side loads, as well as the strength needed to keep the vessel in check. This gives the Paramounts system its industry-leading reputation for exceptional accuracy in unfriendly environments. Integral jacking/shipping bolts enhance safety by preventing accidental lift-off, facilitating quick field removal of load cells and eliminating load cell damage during transportation. Matched outputs and field-replaceable cable simplify installation and enhance serviceability. The Paramounts system represents the ultimate combination of convenience, accuracy and control.

Complete Kit Includes:

- One JB4SS NEMA Type 4X stainless steel signal trim junction box
- One fixed-pin module, one side-stop module, and one or two free-sliding assemblies. Each module is complete with a FLINTEC SB4 or SB10 (520 lb) stainless steel hermetically sealed load cell.
- 25 ft of hostile environment EL147HE SURVIVOR® load cell cable

Standard Features:

- Capacities (per module): (2.3 kN-100 kN)
- All stainless steel construction
- Bolt-in-place design; module bolts directly to tank leg without requiring additional load buttons or mounting plates
- Hermetically sealed, stainless steel load cells
- Load cell outputs are matched to $\pm 0.07\%$, minimizing maintenance costs
- Unique design allows for thermal expansion/contraction
- Low-profile, self-checking design
- Jacking screw allows empty vessel to be lifted clear of load cell for maintenance
- Unique patented blind load hole technology minimizes unwanted side and eccentric loading
- Vessel is free to slide laterally on PTFE-coated surfaces
- Two-year limited warranty

Applications

- Medium-capacity, blenders and tanks
- Batching/blending
- Pharmaceutical processing
- Food processing
- Petroleum refining and batching

Load Cell Certifications



Except 520lb

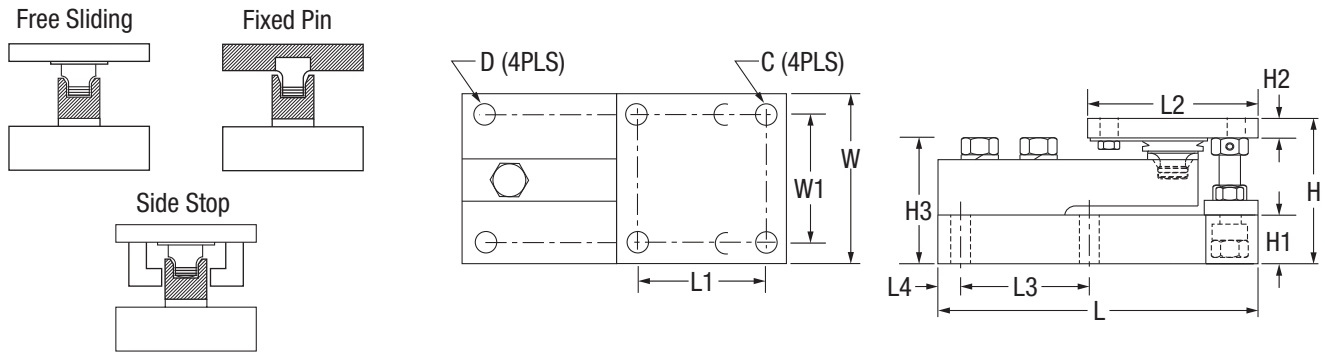


IP66/69K



SURVIVOR® Paramounts® HE

Medium-capacity Weigh Module Systems



Dimensions

Rated Capacity	C	D	H	H1	*H2	**H2	H3	L	L1	L2	L3	L4	W	W1
kN/in														
2.3 kN	0.38	0.44	3.49	1.00	0.50	0.75	2.98	7.51	3.00	4.00	3.00	0.50	4.00	3.00
5-23 kN	0.44	0.44	3.58	1.25	0.50	0.75	3.06	7.51	3.00	4.00	3.00	0.50	4.00	3.00
50 kN	0.56	0.56	4.66	1.50	0.62	1.00	4.09	9.19	3.87	5.00	3.87	0.56	5.00	3.87
100 kN	0.69	0.69	6.41	2.00	0.75	1.25	5.73	11.46	4.75	6.00	4.75	0.69	6.00	4.75

*Side stop and free sliding units **Fixed pin units

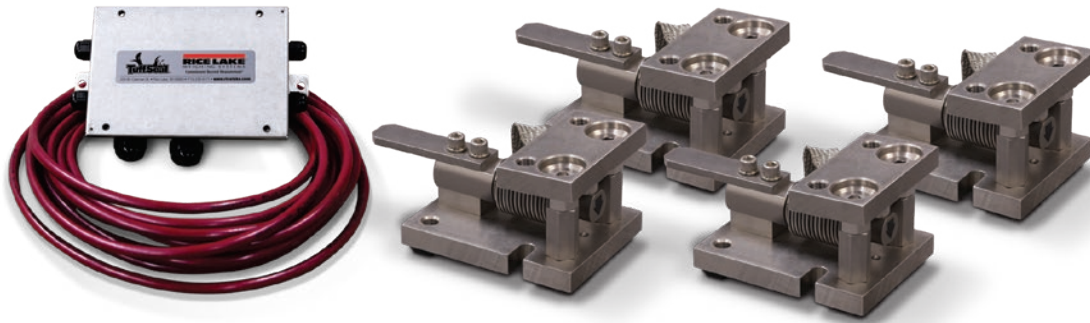
Order Information

Load Rating (Per Module)	Part #	Price
NTEP Certified/OIML C3 3-Module Kit		
5 kN	29883	\$4,125.00
10 kN	29884	\$4,125.00
23 kN	29885	\$4,125.00
50 kN	29886	\$5,580.00
NTEP Certified/OIML C3 4-Module Kit		
5 kN	29879	\$5,482.00
10 kN	29880	\$5,482.00
23 kN	29881	\$5,482.00
50 kN	29882	\$7,038.00
Non-NTEP Certified 3-Module Kit		
2.3 kN	38207	\$4,680.00
5 kN	17991	\$4,012.00
10 kN	17992	\$4,012.00
23 kN	17993	\$4,012.00
50 kN	17994	\$5,205.00
100 kN	17995	\$5,952.00
Non-NTEP Certified 4-Module Kit		
2.3 kN	38208	\$5,925.00
5 kN	17998	\$5,225.00
10 kN	17999	\$5,225.00
23 kN	18000	\$5,225.00
50 kN	18001	\$6,566.00
100 kN	18002	\$8,284.00
*Conduit adapter, 1/2-14 NPT	17703	\$50.00

*Must be factory installed

SURVIVOR WEIGH MODULES RL1700 HE

Light- to Medium-capacity Weigh Modules



Picture is a representation of actual product.

The RL1700 HE offers precision-machined, weldless construction to maximize washdown cleaning effectiveness. This design, coupled with integral jacking/shipping bolts, eases installation and minimizes maintenance costs. OIML C3 certified load cells in capacities from 5 kg to 5,000 kg provide accurate, consistent weighments. Ideal for multi-ingredient micro-batching applications, the RL1700 HE provides exceptional performance in hostile environments. The RL1700 HE offers a guaranteed waterproof rating to ensure reliable performance in moisture-laden environments.

Complete Kit Includes:

- One JB4SS NEMA Type 4X stainless steel signal-trim junction box
- Three or four RL1700 HE stainless steel compression mounts
- Three or four RL9018SS (5-250 kg) or RLHTO (500-5,000 kg) stainless steel, hermetically sealed single-ended beam load cells
- 25 ft of hostile environment EL147HE SURVIVOR® load cell cable

Standard Features:

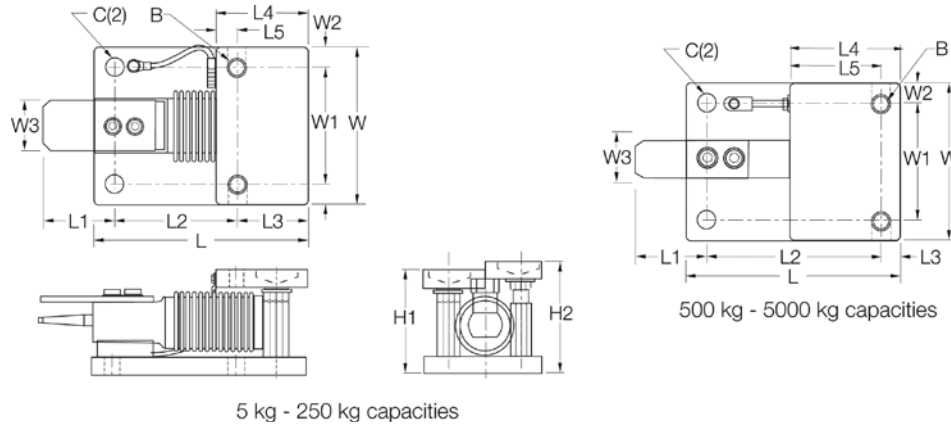
- All stainless steel construction
- Hermetically sealed, stainless steel load cells, IP66/68, guaranteed waterproof
- OIML certified load cells from 5 -5,000 kg
- Bolt-in-place design; module bolts directly to tank leg without requiring additional load buttons or mounting plates
- Self-checking with lift-off/tip-over protection and jacking/shipping bolts
- Load cell is isolated from overload in all directions
- Weldless construction retains less residue and allows fast, thorough cleaning
- Two-year limited warranty

Applications

- Multi-ingredient micro-batching
- Meat and poultry processing
- Batching/blending
- Dye/ink blending

Load Cell Certifications





Dimensions

Rated Capacity	C	B	*H1	**H2	L	L1	L2	L3	L4	L5	W	W1	W2	W3
kg/mm														
5-250	12.9	1/2-20 UNF	80.0	86.1	131.8	63.7	76.0	42.0	56.0	14.0	96.0	70.0	12.9	25.4
500-2,000	12.9	5/8-18 UNF	101.6	109.4	165.0	70.0	129.5	14.9	80.0	59.9	110.0	70.0	20.0	31.7
5,000	20.0	3/4-10 UNC	135.0	143.0	215.0	81.0	161.0	20.0	90.0	70.5	150.0	90.0	30.0	40.0

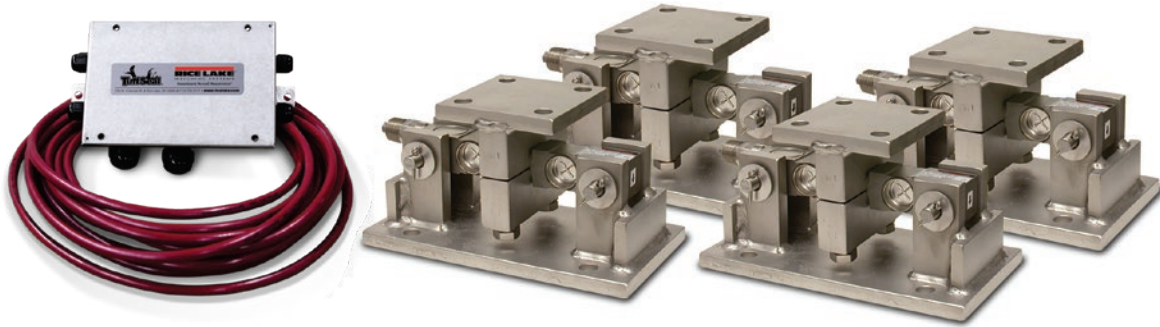
* In weighing position ** In jacked-up position for load cell shipping or removal

Order Information

Load Rating (Per Module)	Part #	Price
Single Module (Includes Load Cell)		
5 kg	32687	\$975.00
10 kg	32688	\$975.00
20 kg	32689	\$975.00
50 kg	32690	\$975.00
100 kg	32691	\$975.00
200 kg	32692	\$975.00
250 kg	32693	\$975.00
500 kg	32974	\$1,187.00
1,000 kg	32973	\$1,187.00
2,000 kg	32972	\$1,187.00
5,000 kg	32971	\$1,463.00
3-Module Kit		
5 kg	32920	\$3,143.00
10 kg	32921	\$3,143.00
20 kg	32922	\$3,143.00
50 kg	32923	\$3,143.00
100 kg	32924	\$3,143.00
200 kg	32925	\$3,143.00
250 kg	32926	\$3,143.00
500 kg	32980	\$3,763.00
1,000 kg	32981	\$3,763.00
2,000 kg	32982	\$3,763.00
5,000 kg	32983	\$4,690.00
4-Module Kit		
5 kg	32927	\$4,150.00
10 kg	32928	\$4,150.00
20 kg	32929	\$4,150.00
50 kg	32930	\$4,150.00
100 kg	32931	\$4,150.00
200 kg	32932	\$4,150.00
250 kg	32933	\$4,150.00
500 kg	32984	\$4,955.00
1,000 kg	32985	\$4,955.00
2,000 kg	32986	\$4,955.00
5,000 kg	32987	\$5,856.00

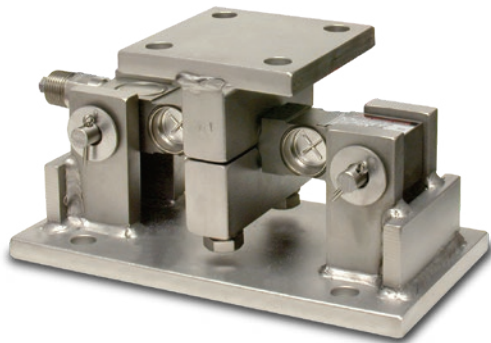
RL1600 HE

Medium-capacity Weigh Modules



Picture is a representation of actual product.

The RL1600 HE mounting module kit utilizes several Rice Lake Weighing Systems components to provide an unmatched level of performance in tank and hopper weighing applications. The RL1600 HE kit is ideally suited for indoor and outdoor process control operations in the medium-capacity ranges. Each module incorporates self-checking capabilities for thermal expansion and contraction.



Fabricated stainless steel module with RL75016WHE double-ended beam load cell.

Complete Kit Includes:

- One JB4SS NEMA Type 4X stainless steel signal trim junction box
- Three or four RL1600 HE stainless steel compression mounts
- Three or four RL75016 WHE stainless steel, hermetically sealed double-ended shear beam load cells
- 25 ft of hostile environment EL147HE SURVIVOR® load cell cable

Standard Features:

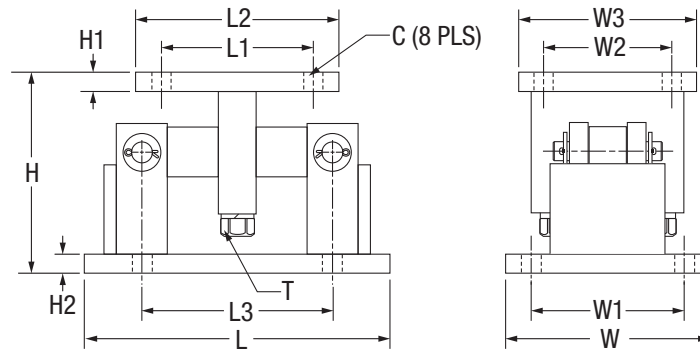
- Capacities (per module): 1,000-25,000lb
- All stainless steel construction
- Self-checking, easy-to-use design allows module to be bolted directly to tank leg without requiring additional mounting plates or load buttons
- Hermetically sealed IP66/69K protected load cells
- Double-ended shear beam design, center loaded

Applications

- Medium-capacity tanks, bins and hoppers
- Bulk material management
- Ingredient batching, mixing and blending

Load Cell Certifications





Dimensions

Rated Capacity	C	H	H1	H2	L	L1	L2	L3	T	W	W1	W2	W3
lb/in													
1,000-5,000	0.56	5.00	0.50	0.50	9.25	2.75	4.00	6.25	1/2-13 UNC	5.00	3.75	2.75	4.00
10,000-25,000	0.78	7.87	0.75	0.75	12.00	6.00	8.00	7.50	3/4-10 UNC	8.00	6.00	6.00	8.00

Order Information

Load Rating (Per Module)	Part #	Price
Single Module (Does Not Include Load Cell)		
1,000-5,000 lb	17813	\$657.00
10,000-25,000 lb	17815	\$1,283.00
3-Module Kit		
1,000 lb	46723	\$4,563.00
1,500 lb	119673	\$4,563.00
2,000 lb	119675	\$4,563.00
2,500 lb	46724	\$4,563.00
5,000 lb	46725	\$4,563.00
10,000 lb	46726	\$6,540.00
15,000 lb	46727	\$6,540.00
20,000 lb	84664	\$6,540.00
25,000 lb	46728	\$6,540.00
4-Module Kit		
1,000 lb	46729	\$5,753.00
1,500 lb	119674	\$5,753.00
2,000 lb	119676	\$5,753.00
2,500 lb	46730	\$5,753.00
5,000 lb	46731	\$5,753.00
10,000 lb	46732	\$8,554.00
15,000 lb	46733	\$8,554.00
20,000 lb	84665	\$8,554.00
25,000 lb	46734	\$8,554.00
Dummy Load Cells (Mild Steel)		
1,000-5,000 lb	18236	\$26.00
10,000-25,000 lb	18237	\$42.00

Shims*

	Part #	Price
1,000 lb–5,000 lb		
0.0625	150852	\$5.00
0.125	150853	\$10.00
0.250	150854	\$16.00
10,000 lb–25,000 lb		
0.0625	150855	\$15.00
0.125	150856	\$24.00
0.250	150857	\$62.00
50,000 lb–75,000 lb		
0.0625	150858	\$21.00
0.125	150859	\$31.00
0.250	150861	\$77.00

*Shims match the top plate

RL1855 HE-HS

Medium-capacity Weigh Modules with Hermetically Sealed Load Cells



Picture is a representation of actual product.

The internal height adjustment feature of the SURVIVOR® RL1855 HE weigh module reduces the need for shims or external hardware, simplifying installation. The standard conduit adapter allows for connection to conduit for cable protection. With standard NTEP Certified, 1:5000 division Class III load cells, the RL1855 HE weigh module provides an accurate weighing system when properly installed. Highly versatile, the RL1855 HE weigh module offers worry-free operation in a wide variety of rugged applications.

Complete Kit Includes:

- One JB4SS NEMA Type 4X stainless steel signal trim junction box
- Three or four RL1855 HE stainless steel mounts
- Three or four RL32218S-HE hermetically sealed NTEP Certified load cells
- 25 ft of hostile environment EL147HE SURVIVOR® load cell cable

Standard Features:

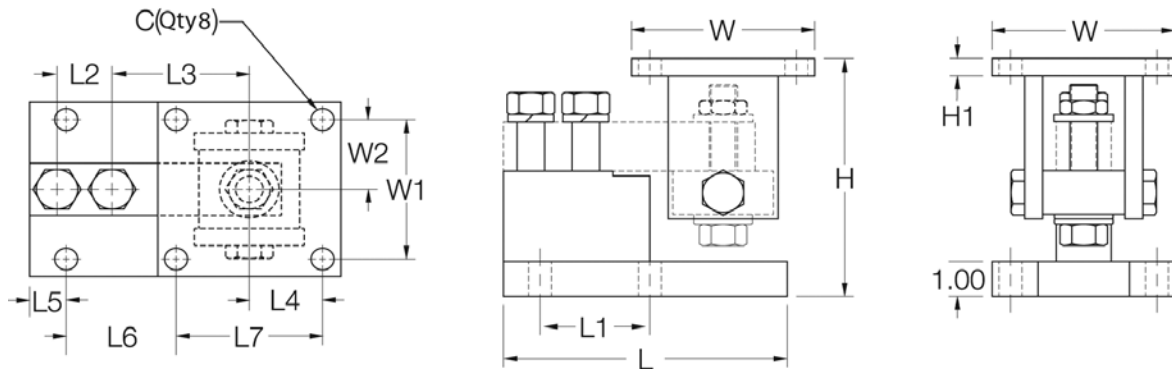
- All stainless steel construction
- Hermetically sealed, stainless steel IP69K
- NTEP Certified load cells, 5,000 d Class III multiple load cell
- Self-checking design with lift off/tip off protection
- Two-year limited warranty

Applications

- Medium-capacity hoppers, bins and tanks
- Batching/blending

Load Cell Certifications





Dimensions

Rated Capacity	C	H min/max	H1	L	L1	L2	L3	L4	L5	L6	L7	W	W1	W2
lb/in														
1,000-4,000	0.62	5.25/5.56	0.50	6.00	2.00	1.00	3.00	2.00	0.68	1.94	4.00	5.00	4.00	2.00
5,000-10,000	0.62	6.12/6.62	0.50	7.75	3.00	1.50	3.75	2.00	1.03	2.97	4.00	5.00	4.00	2.00

Order Information

Load Rating (Per Module)	Part #	Price
Single Modules (Includes Load Cell)		
1,000 lb	170857	\$1,060.00
2,500 lb	170858	\$1,060.00
4,000 lb	170859	\$1,060.00
5,000 lb	170860	\$1,140.00
10,000 lb	170861	\$1,140.00
3-Module Kit		
1,000 lb	170862	\$3,339.00
2,500 lb	170863	\$3,339.00
4,000 lb	170864	\$3,339.00
5,000 lb	170865	\$3,588.00
10,000 lb	170866	\$3,588.00
4-Module Kit		
1,000 lb	170867	\$4,340.00
2,500 lb	170868	\$4,340.00
4,000 lb	170869	\$4,340.00
5,000 lb	170870	\$4,728.00
10,000 lb	170871	\$4,728.00

RL2100 HE

Heavy-capacity Weigh Modules



Picture is a representation of actual product.

Incorporating an articulating load plate, hardened load pin and double-ended beam load cell into one simple design, the RL2100HE tolerates eccentric loads and side loads of up to 100 percent of capacity. The RL2100 HE comes standard with NTEP Certified, 1:5000 division Class III L load cells, yielding up to 0.02 percent total error. An integral conduit adapter offers added washdown protection. These standard features give the RL2100 HE accuracy and dependability in one heavyweight package. The simple load introduction and load cell design provides consistent accuracy in washdown applications, making the RL2100 HE ideal for high-capacity hostile environments.

Complete Kit Includes:

- One JB4SS NEMA Type 4X stainless steel signal-trim junction box
- Three or four RL2100 HE stainless steel compression mounts
- Three or four RL75060S stainless steel, welded seal double-ended beam load cells
- 25 ft of hostile environment EL147HE SURVIVOR® load cell cable

Standard Features:

- All stainless steel construction
- Welded seal, stainless steel load cells, IP67, guaranteed waterproof
- NTEP Certified load cells, 5,000 d, Class III L/10,000 d, Class III L multiple cell
- Bolt-in-place design; module bolts directly to tank leg without requiring additional load buttons or mounting plates
- Self-checking design with lift-off/tip-over protection
- Two-year limited warranty

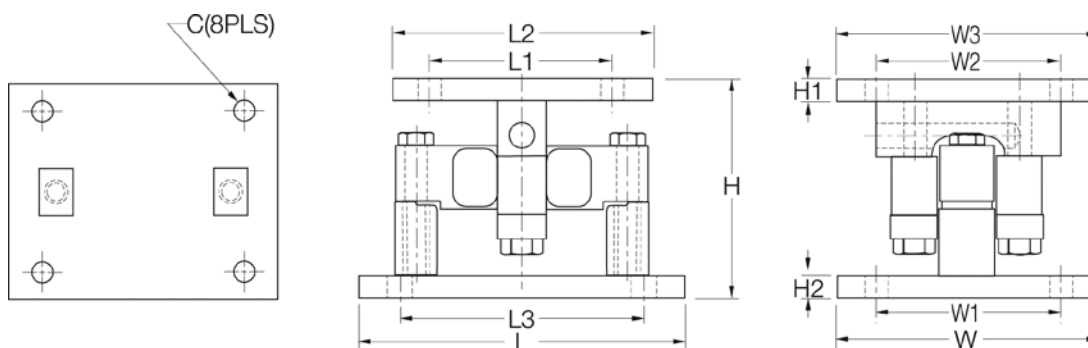
Applications

- Heavy-capacity tanks, blenders, reactors and bulk inventory management
- Petroleum refining process control
- Blending/batching

Load Cell Certifications



SURVIVOR WEIGH MODULES
RL2100 HE
 Heavy-capacity Weigh Modules



Dimensions

Rated Capacity	C	H	H1	H2	L	L1	L2	L3	W	W1	W2	W3
lb/in												
20,000-25,000	0.78	6.85	0.75	0.75	10.00	6.00	8.00	7.50	8.00	6.00	6.00	8.00
35,000-100,000	1.13	9.42	1.00	1.00	16.00	6.50	9.00	11.50	10.00	7.50	6.50	9.00

Order Information

Load Rating (Per Module)	Part #	Price
Single Module (Includes Load Cell)		
20,000 lb	32951	\$1,749.00
25,000 lb	65541	\$1,749.00
35,000 lb	32952	\$2,793.00
50,000 lb	32953	\$2,793.00
60,000 lb	32954	\$2,793.00
75,000 lb	32955	\$2,793.00
100,000 lb	32956	\$4,790.00
3-Module Kit		
20,000 lb	32970	\$5,500.00
25,000 lb	65984	\$5,500.00
35,000 lb	32969	\$8,660.00
50,000 lb	32968	\$8,660.00
60,000 lb	32967	\$8,660.00
75,000 lb	32966	\$8,660.00
100,000 lb	32965	\$14,268.00
4-Module Kit		
20,000 lb	32964	\$7,260.00
25,000 lb	65983	\$7,260.00
35,000 lb	32963	\$11,114.00
50,000 lb	32962	\$11,114.00
60,000 lb	32961	\$11,114.00
75,000 lb	32960	\$11,114.00
100,000 lb	32959	\$18,942.00

A large grid of empty cells, consisting of 28 columns and 40 rows, occupying the central portion of the page. The grid is used for recording data related to the Survivor Weigh Modules.

Weigh Modules

TABLE OF CONTENTS	
ITCM	44
<i>Isolated Tension Cell Modules</i>	
ITCM SS	46
<i>Stainless Steel Isolated Tension Cell Modules</i>	
ITCM HE	48
<i>Stainless Steel, Welded Seal, NTEP Certified Isolated Tension Cell Modules</i>	
RL50210TA	50
<i>Mini Tank Weighing Module</i>	
65059	52
<i>Mini Tank Weighing Module, VPG-Sensortronics</i>	
RL50219SS-TA	54
<i>Mini Tank Weighing Module, Stainless Steel</i>	
PARAMOUNTS® EP	56
<i>Environmentally Protected, Mild Steel, Light- to Medium-capacity Tank Weighing Systems</i>	
PARAMOUNTS® HS	58
<i>Hermetically Sealed, Mild Steel, Light- to Medium-capacity Tank Weighing Systems</i>	
RLBTM	60
<i>Mild Steel/Stainless Steel Weigh Modules</i>	
RL1800 SERIES	62
<i>Mild Steel/Stainless Steel Weigh Modules</i>	
RL1800 SERIES PAINTED LOAD CELL VERSION	64
<i>Stainless Steel Weigh Modules</i>	
RL1900 SERIES	66
<i>Stainless Steel Weigh Modules</i>	
RLTM	68
<i>Stainless Steel Tank Weigh Modules</i>	
RL9000TWM SERIES	70
<i>Stainless Steel, Tank, Hopper and Vessel Weighing Assembly</i>	
RL9000TWM-HT	74
<i>Tank, Hopper and Vessel Weigh Module</i>	
RL2200 SERIES	76
<i>Tank, Hopper and Vessel Weighing Assembly</i>	
RL2200SS SERIES	78
<i>Stainless Steel, Tank, Hopper and Vessel Weighing Assembly</i>	
RLC	80
<i>Stainless Steel Weigh Modules, VPG Revere</i>	
220 UNIVERSAL MOUNT	82
<i>Stainless Steel Weigh Modules, VPG Tedeo-Huntleigh</i>	
EZ MOUNT 1 WITH RL72020	84
<i>Mild Steel Weigh Modules, Rice Lake Weighing Systems</i>	
EZ MOUNT 1 SS WITH RL72020SS	86
<i>Stainless Steel Weigh Modules, Rice Lake Weighing Systems</i>	
EZ MOUNT 1 WITH PAINTED RL72020P	88
<i>Rice Lake Weighing Systems</i>	
EZ MOUNT 1 WITH RL70000	90
<i>Mild Steel Weigh Modules, Rice Lake Weighing Systems</i>	
EZ MOUNT 1 WITH RL70000SS	92
<i>Stainless Steel Weigh Modules, Rice Lake Weighing Systems</i>	
EZ MOUNT 1 WITH PAINTED RL70000	94
<i>Rice Lake Weighing Systems</i>	
EZ MOUNT 1 HE	96
<i>Stainless Steel Weigh Modules, Hermetically Sealed, Rice Lake Weighing Systems</i>	
RL1600 SERIES	98
<i>Cast Iron Weigh Modules</i>	
RL1600 SERIES	100
<i>Mild Steel Weigh Modules</i>	
RL1600 SERIES SS	102
<i>Stainless Steel Weigh Modules</i>	
RL1600 SERIES PAINTED LOAD CELL VERSION	104
<i>Stainless Steel Weigh Modules</i>	
MVS MOUNT/MVS	106
<i>Conversion Kit</i>	
TRANSLINK™ PARALLEL LINK	108
<i>Truck Scale Assembly, Rice Lake Weighing Systems</i>	
MOTOR TRUCK SCALE ELECTRONIC CONVERSION KIT	109
<i>Rice Lake Weighing Systems</i>	
MAGNAMOUNT®	111
<i>Tank, Truck and Railroad Track Assembly</i>	
METTLER TOLEDO™ DIGITOL® RETROFIT KIT	112
<i>Stainless Steel, Rice Lake Weighing Systems/Flintec</i>	
ELECTRONIC FLOOR SCALE UNDERDECK KITS	114

Product names, logos, brands, and other trademarks featured or referred to within this publication are the property of their respective trademark holders.



Picture is a representation of actual product.

The ITCM Series utilizes several Rice Lake Weighing Systems components to provide an unmatched level of performance in tank and hopper weighing applications and mechanical scale conversions. The ITCM incorporates clevis and unique rod-end ball joint assemblies to reduce the overall length to less than half of the traditional tension cell mounts, while providing correct load alignment. In addition, the load cell is completely electrically isolated from stray currents, which are a major cause of load cell failure. To complete the design, a grounding strap connects the two clevis assemblies to further provide safety to your load cells.



Module with RL20000I s-beam load cell.

Complete Kit Includes

- Three or four ITCM assemblies with RL20000I NTEP Certified s-beam load cells
- One JB4SS NEMA Type 4X stainless steel signal trim junction box
- 25 ft of hostile environment EL147HE SURVIVOR® load cell cable

Standard Features

- Capacities (per module): 100-20,000 lb
- Clevis mounts with nylon insulating washers
- 20,000 lb ITCM rod-end ball joints
- Load cell is completely isolated from stray currents
- Grounding strap provides alternative path to ground
- Complete package for ease of installation
- Provides correct loading even in difficult installations
- Lower overall height compared to other isolated tension assemblies
- Zinc-plated clevis assemblies
- 20,000 lb capacity is not electrically isolated

Applications

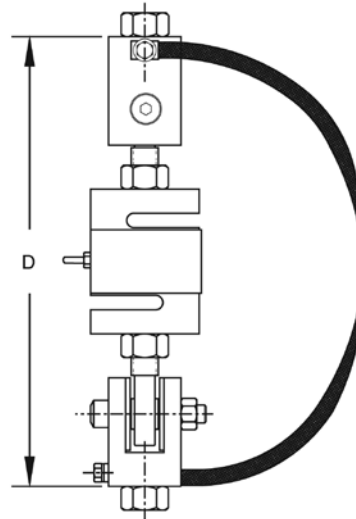
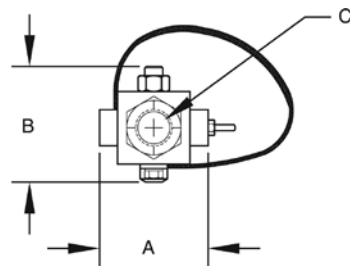
- Suspended hoppers and tanks
- Mechanical scale conversions
- Use as a single module or in multiples

Load Cell Certifications



Load Rating Dimensions Per Module

Load Cell Capacity	A	B	C	D	Single Module	Price	3-Module Kit	Price	4-Module Kit	Price
lb/in										
100	2.00	1.81	3/8-16 UNC 1/2-13 UNC	7.00 (ref)	17851 17831	\$556.00 \$556.00	18003 18004	\$1,935.00 \$1,935.00	18027 18028	\$2,493.00 \$2,493.00
150	2.00	1.81	3/8-16 UNC 1/2-13 UNC	7.00 (ref)	30337 30336	\$556.00 \$556.00	30357 30358	\$1,935.00 \$1,935.00	30359 30360	\$2,493.00 \$2,493.00
200	2.00	1.81	3/8-16 UNC 1/2-13 UNC	7.00 (ref)	30335 30338	\$556.00 \$556.00	30361 30362	\$1,935.00 \$1,935.00	30363 30364	\$2,493.00 \$2,493.00
250	2.00	1.81	3/8-16 UNC 1/2-13 UNC	7.00 (ref)	17852 17832	\$556.00 \$556.00	18005 18006	\$1,935.00 \$1,935.00	18029 18030	\$2,493.00 \$2,493.00
500	2.68	2.68	1/2-13 UNC 5/8-11 UNC 3/4-10 UNC	9.50 (ref)	17853 17858 17833	\$609.00 \$609.00 \$609.00	18007 18008 18009	\$2,078.00 \$2,078.00 \$2,078.00	18031 18032 18033	\$2,682.00 \$2,682.00 \$2,682.00
750	2.68	2.68	1/2-13 UNC 5/8-11 UNC 3/4-10 UNC	9.50 (ref)	17854 17859 17834	\$609.00 \$609.00 \$609.00	18010 18011 18012	\$2,078.00 \$2,078.00 \$2,078.00	18034 18035 18036	\$2,682.00 \$2,682.00 \$2,682.00
1,000	2.68	2.68	1/2-13 UNC 5/8-11 UNC 3/4-10 UNC	9.50 (ref)	17855 17860 17835	\$609.00 \$609.00 \$609.00	18013 18014 18015	\$2,078.00 \$2,078.00 \$2,078.00	18037 18038 18039	\$2,682.00 \$2,682.00 \$2,682.00
1,500	2.68	2.68	1/2-13 UNC 5/8-11 UNC 3/4-10 UNC	9.50 (ref)	17856 17861 17836	\$609.00 \$609.00 \$609.00	18016 18017 18018	\$2,078.00 \$2,078.00 \$2,078.00	18040 18041 18042	\$2,682.00 \$2,682.00 \$2,682.00
2,000	2.68	2.68	1/2-13 UNC 5/8-11 UNC 3/4-10 UNC	9.50 (ref)	17857 17862 17837	\$609.00 \$609.00 \$609.00	18019 18020 18021	\$2,078.00 \$2,078.00 \$2,078.00	18043 18044 18045	\$2,682.00 \$2,682.00 \$2,682.00
2,500	2.68	2.68	5/8-11 UNC 3/4-10 UNC	9.50 (ref)	17863 17838	\$609.00 \$609.00	18022 18023	\$2,078.00 \$2,078.00	18046 18047	\$2,682.00 \$2,682.00
3,000	3.37	3.37	3/4-10 UNC	10.50 (ref)	30339	\$636.00	30365	\$2,199.00	30366	\$2,793.00
5,000	3.37	3.37	3/4-10 UNC 1-8 UNC	12.25 (ref)	17864 17839	\$832.00 \$832.00	18024 18025	\$2,743.00 \$2,743.00	18048 18049	\$3,577.00 \$3,577.00
10,000	3.37	3.37	1-8 UNC	12.25 (ref)	17840	\$832.00	18026	\$2,743.00	18050	\$3,577.00
15,000	4.00	4.12	1 1/4-7 UNC	18.00 (ref)	17960	\$1,722.00	30353	\$5,438.00	30354	\$7,134.00
20,000	5.00	4.12	1 1/2-6 UNC	20.00 (ref)	17961	\$2,030.00	30355	\$5,438.00	30356	\$8,358.00



WEIGH MODULES
ITCM SS

Stainless Steel Isolated Tension Cell Modules



Picture is a representation of actual product.

The ITCM Series utilizes several Rice Lake Weighing Systems components to provide an unmatched level of performance in tank and hopper weighing applications and mechanical scale conversions. The ITCM SS incorporates clevis and unique rod-end ball joint assemblies to reduce the overall length to less than half of the traditional tension cell mounts, while providing correct load alignment. In addition, the load cell is completely electrically isolated from stray currents, which are a major cause of load cell failure. To complete the design, a grounding strap connects the two clevis assemblies to further provide safety to your load cells.



Module with RL20000ST s-beam load cell.

Complete Kit Includes

- Three or four ITCM assemblies with RL20000ST NTEP Certified s-beam load cells
- One JB4SS NEMA Type 4X stainless steel signal trim junction box
- 25 ft of hostile environment EL147HE SURVIVOR® load cell cable

Standard Features

- Capacities (per module): 100-5,000 lb
- Clevis mounts with nylon insulating washers
- PTFE lined rod-end ball joints
- Load cell is completely isolated from stray currents
- Grounding strap provides alternative path to ground
- Complete package for ease of installation
- Provides correct loading even in difficult installations
- Lower overall height compared to other isolated tension assemblies

Applications

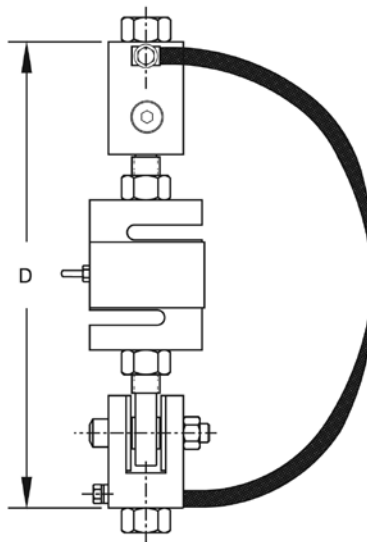
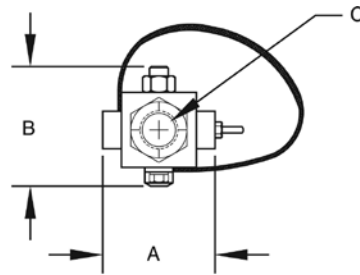
- Suspended hoppers and tanks
- Mechanical scale conversions
- Use as a single module or in multiples

Load Cell Certifications



Load Rating Dimensions Per Module

Load Cell Capacity	A	B	C	D	Single Module	Price	3-Module Kit	Price	4-Module Kit	Price
100	2.00	1.81	3/8-16 UNC 1/2-13 UNC	7.00 (ref)	46765 46766	\$874.00 \$874.00	46735 46736	\$2,782.00 \$2,782.00	46751 46752	\$3,562.00 \$3,562.00
250	2.00	1.81	3/8-16 UNC 1/2-13 UNC	7.00 (ref)	46767 46768	\$874.00 \$874.00	46737 46738	\$2,782.00 \$2,782.00	46753 46754	\$3,562.00 \$3,562.00
500	2.68	2.68	1/2-13 UNC 5/8-11 UNC	9.50 (ref)	46769 46770	\$874.00 \$874.00	46739 46740	\$2,782.00 \$2,782.00	46755 46756	\$3,562.00 \$3,562.00
750	2.68	2.68	1/2-13 UNC 5/8-11 UNC	9.50 (ref)	46771 46772	\$874.00 \$874.00	46741 46742	\$2,782.00 \$2,782.00	46757 46758	\$3,562.00 \$3,562.00
1,000	2.68	2.68	1/2-13 UNC 5/8-11 UNC	9.50 (ref)	46773 46774	\$874.00 \$874.00	46743 46744	\$2,782.00 \$2,782.00	46759 46760	\$3,562.00 \$3,562.00
2,500	2.68	2.68	5/8-11 UNC 3/4-10 UNC	9.50 (ref)	46775 46776	\$874.00 \$874.00	46745 46746	\$2,782.00 \$2,782.00	46761 46762	\$3,562.00 \$3,562.00
3,000	3.37	3.37	3/4-10 UNC	10.75 (ref)	46777	\$938.00	46747	\$3,069.00	46763	\$3,842.00
5,000	3.37	3.37	3/4-10 UNC	12.00 (ref)	46778	\$1,627.00	46748	\$5,067.00	46764	\$6,560.00



ITCM HE

Stainless Steel, Welded Seal, NTEP Certified Isolated Tension Cell Modules



Picture is a representation of actual product.

The ITCM Series utilizes several Rice Lake Weighing Systems components to provide an unmatched level of performance in tank and hopper weighing applications and mechanical scale conversions. The ITCM HE incorporates clevis and unique rod-end ball joint assemblies to reduce the overall length to less than half of the traditional tension cell mounts, while providing correct load alignment. In addition, the load cell is completely electrically isolated from stray currents, which are a major cause of load cell failure. To complete the design, a grounding strap connects the two clevis assemblies to further provide safety to your load cells.



Module with RL20001HE s-beam load cell.

Complete Kit Includes

- Three or four ITCM assemblies with RL20001HE stainless steel, welded seal
- NTEP Certified s-beam load cells
- One JB4SS NEMA Type 4X stainless steel signal trim junction box
- 25 ft of hostile environment EL147HE SURVIVOR® load cell cable

Standard Features

- Capacities (per module): 500-5,000 lb
- Clevis mounts with nylon insulating washers
- PTFE-lined rod-end ball joints
- Load cell is completely isolated from stray currents
- Grounding strap provides alternative path to ground
- Complete package for ease of installation
- Provides correct load ing even in difficult installations
- Lower overall height compared to other isolated tension assemblies

Applications

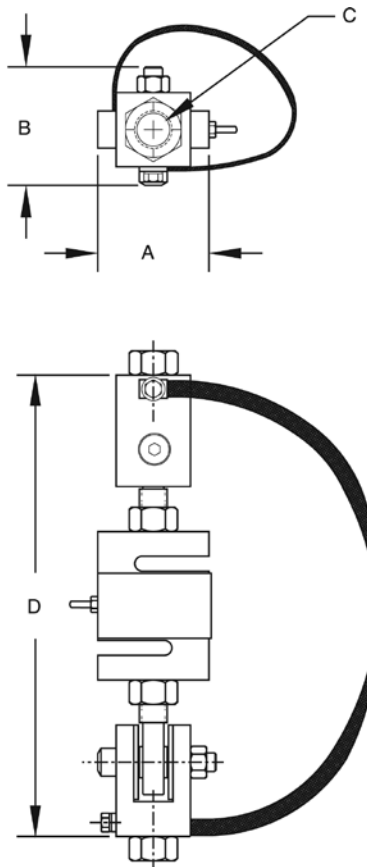
- Suspended hoppers and tanks
- Mechanical scale conversions
- Use as a single module or in multiples

Load Cell Certifications



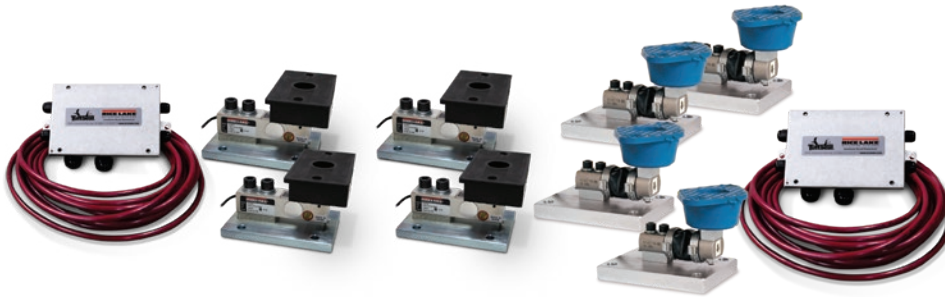
Load Rating Dimensions Per Module

Load Cell Capacity lb/in	A	B	C	D	Single Module	Price	3-Module Kit	Price	4-Module Kit	Price
500	2.68	2.68	1/2-13 UNC 5/8-11 UNC 3/4-10 UNC	9.50 (ref)	46599 46600 46601	\$1,600.00 \$1,600.00 \$1,600.00	46561 46562 46563	\$4,675.00 \$4,675.00 \$4,675.00	46580 46581 46582	\$6,233.00 \$6,233.00 \$6,233.00
750	2.68	2.68	1/2-13 UNC 5/8-11 UNC 3/4-10 UNC	9.50 (ref)	46602 46603 46604	\$1,600.00 \$1,600.00 \$1,600.00	46564 46565 46566	\$4,675.00 \$4,675.00 \$4,675.00	46583 46584 46585	\$6,233.00 \$6,233.00 \$6,233.00
1,000	2.68	2.68	1/2-13 UNC 5/8-11 UNC 3/4-10 UNC	9.50 (ref)	46605 46606 46607	\$1,600.00 \$1,600.00 \$1,600.00	46567 46568 46569	\$4,675.00 \$4,675.00 \$4,675.00	46586 46587 46588	\$6,233.00 \$6,233.00 \$6,233.00
1,500	2.68	2.68	1/2-13 UNC 5/8-11 UNC 3/4-10 UNC	9.50 (ref)	46608 46609 46610	\$1,600.00 \$1,600.00 \$1,600.00	46570 46571 46572	\$4,675.00 \$4,675.00 \$4,675.00	46589 46590 46591	\$6,233.00 \$6,233.00 \$6,233.00
2,000	2.68	2.68	1/2-13 UNC 5/8-11 UNC 3/4-10 UNC	9.50 (ref)	46611 46612 46613	\$1,600.00 \$1,600.00 \$1,600.00	46573 46574 46575	\$4,675.00 \$4,675.00 \$4,675.00	46592 46593 46594	\$6,233.00 \$6,233.00 \$6,233.00
2,500	2.68	2.68	5/8-11 UNC 3/4-10 UNC	9.50 (ref)	46614 46615	\$1,600.00 \$1,600.00	46576 46577	\$4,675.00 \$4,675.00	46595 46596	\$6,233.00 \$6,233.00
3,000	3.37	3.37	3/4-10 UNC	10.00 (ref)	46616	\$1,600.00	46578	\$4,675.00	46597	\$6,233.00
5,000	3.37	3.37	3/4-10 UNC	12.62 (ref)	46617	\$2,375.00	46579	\$7,006.00	46598	\$9,290.00



RL50210TA

Mini Tank Weighing Module



Picture is a representation of actual product.

The RL50210TA weigh module kit provides a cost-effective alternative for your customers' weighing needs. A variety of features makes this kit easy to install and an exceptional choice for various indoor weighing applications where checking requirements are low. Environmentally protected load cells, neoprene isolation/compression mounts and other Rice Lake Weighing Systems components are the keys to this module's outstanding performance.



NTEP Certified 1,000lb mild steel load cell shown.



RL50210TA mild steel (50lb-250lb)

Complete Kit Includes

- Three or four RL50210 cantilever beam load cells (50 lb - 250 lb mild steel)
- Three or four RL30000 single-ended beam load cells (500 lb mild steel)
- Three or four RL32018 single-ended beam load cells (1,000 lb - 2,500 lb mild steel)
- Three or four RL39123 single-ended beam load cells (500 lb stainless steel)
- Three or four RL32018S single-ended beam load cells (1,000 lb - 2,500 lb stainless steel)
- Three or four neoprene isolation/compression mounts
- One JB4SS NEMA Type 4X stainless steel signal trim junction box
- 25 ft of hostile environment EL147HE SURVIVOR® load cell cable

Standard Features

- NTEP Certified load cells
- Zinc plated mild steel or stainless Steel assemblies
- Weighing ranges from 50 lb to 2,500 lb per module
- Neoprene isolation mounts allow for minor misalignment, thermal expansion and shock absorption
- Overload stop provides durability

Applications

- Small tanks and hoppers
- Conveyor/In-motion weighing
- Small platform scales where minor shock loading may be a problem

Optional Features

- Stainless steel modules available in 500 lb capacities with RL39123 stainless steel load cells

Load Cell Certifications



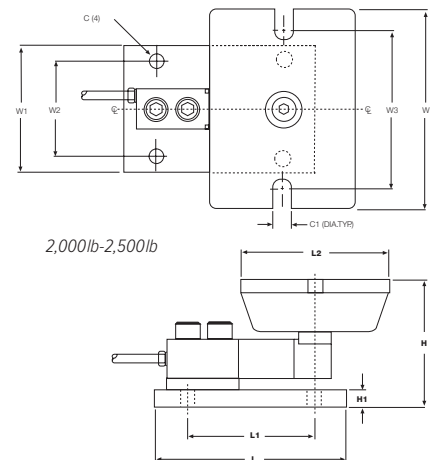
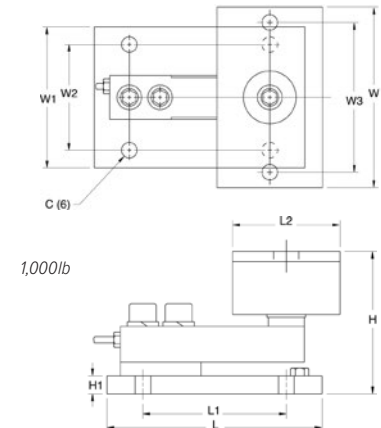
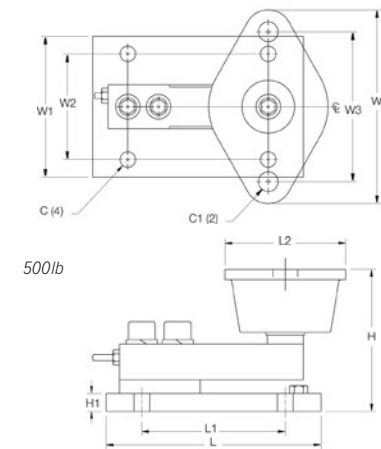
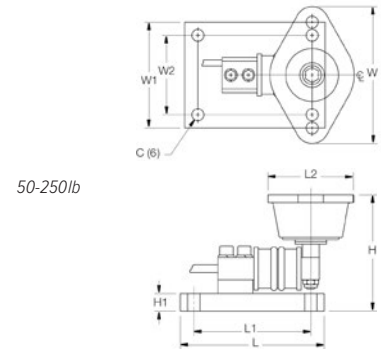
WEIGH MODULES
RL50210TA
 Mini Tank Weighing Module

Dimensions

Rated Capacity	C	C1	H	H1	L	L1	L2	W	W1	W2	W3
lb/in											
50-250	0.34	—	3.13	0.50	4.00	3.25	2.38	3.88	3.00	2.25	—
500	0.44	0.56	3.88	0.50	6.00	4.00	3.38	5.50	4.00	3.00	4.13
1,000	0.44	—	4.00	0.50	6.00	4.00	3.00	5.13	4.00	3.00	4.13
2,000-2,500	0.44	0.56	4.00	0.50	6.00	4.00	4.62	6.25	4.00	3.00	5.00

Order Information

Load Rating (Per Module)	Part #	Price																																																			
Mild Steel Single Module (Includes Load Cell)																																																					
50 lb	17844	\$460.00																																																			
100 lb	17845	\$460.00																																																			
150 lb	17846	\$460.00																																																			
250 lb	17847	\$460.00																																																			
500 lb	17848	\$610.00																																																			
1,000 lb	17849	\$610.00																																																			
2,000 lb	17948	\$610.00																																																			
2,500 lb	17949	\$610.00																																																			
Mild Steel 3-Module Kit																																																					
50 lb	18051	\$1,616.00																																																			
100 lb	18052	\$1,616.00																																																			
150 lb	18053	\$1,616.00																																																			
250 lb	18054	\$1,525.00																																																			
500 lb	18055	\$2,088.00																																																			
1,000 lb	18056	\$2,088.00																																																			
2,000 lb	30398	\$2,088.00																																																			
2,500 lb	30396	\$2,088.00																																																			
Mild Steel 4-Module Kit																																																					
50 lb	18057	\$2,078.00																																																			
100 lb	18058	\$2,078.00																																																			
150 lb	18059	\$2,078.00																																																			
250 lb	18060	\$2,078.00																																																			
500 lb	18061	\$2,645.00																																																			
1,000 lb	18062	\$2,645.00 </tr <tr> <td>2,000 lb</td> <td>30397</td> <td>\$2,645.00</td> </tr> <tr> <td>2,500 lb</td> <td>30395</td> <td>\$2,645.00</td> </tr> <tr> <td colspan="3">Stainless Steel Single Module (Includes Load Cell)</td> </tr> <tr> <td>500 lb</td> <td>17954</td> <td>\$715.00</td> </tr> <tr> <td>1,000 lb</td> <td>17955</td> <td>\$675.00</td> </tr> <tr> <td>2,000 lb</td> <td>17956</td> <td>\$675.00</td> </tr> <tr> <td>2,500 lb</td> <td>17957</td> <td>\$675.00</td> </tr> <tr> <td colspan="3">Stainless Steel 3-Module Kit</td> </tr> <tr> <td>500 lb</td> <td>30394</td> <td>\$2,375.00</td> </tr> <tr> <td>1,000 lb</td> <td>30404</td> <td>\$2,375.00</td> </tr> <tr> <td>2,000 lb</td> <td>30402</td> <td>\$2,375.00</td> </tr> <tr> <td>2,500 lb</td> <td>30400</td> <td>\$2,375.00</td> </tr> <tr> <td colspan="3">Stainless Steel 4-Module Kit</td> </tr> <tr> <td>500 lb</td> <td>30393</td> <td>\$3,111.00</td> </tr> <tr> <td>1,000 lb</td> <td>30403</td> <td>\$2,935.00</td> </tr> <tr> <td>2,000 lb</td> <td>30401</td> <td>\$2,935.00</td> </tr> <tr> <td>2,500 lb</td> <td>30399</td> <td>\$2,935.00</td> </tr>	2,000 lb	30397	\$2,645.00	2,500 lb	30395	\$2,645.00	Stainless Steel Single Module (Includes Load Cell)			500 lb	17954	\$715.00	1,000 lb	17955	\$675.00	2,000 lb	17956	\$675.00	2,500 lb	17957	\$675.00	Stainless Steel 3-Module Kit			500 lb	30394	\$2,375.00	1,000 lb	30404	\$2,375.00	2,000 lb	30402	\$2,375.00	2,500 lb	30400	\$2,375.00	Stainless Steel 4-Module Kit			500 lb	30393	\$3,111.00	1,000 lb	30403	\$2,935.00	2,000 lb	30401	\$2,935.00	2,500 lb	30399	\$2,935.00
2,000 lb	30397	\$2,645.00																																																			
2,500 lb	30395	\$2,645.00																																																			
Stainless Steel Single Module (Includes Load Cell)																																																					
500 lb	17954	\$715.00																																																			
1,000 lb	17955	\$675.00																																																			
2,000 lb	17956	\$675.00																																																			
2,500 lb	17957	\$675.00																																																			
Stainless Steel 3-Module Kit																																																					
500 lb	30394	\$2,375.00																																																			
1,000 lb	30404	\$2,375.00																																																			
2,000 lb	30402	\$2,375.00																																																			
2,500 lb	30400	\$2,375.00																																																			
Stainless Steel 4-Module Kit																																																					
500 lb	30393	\$3,111.00																																																			
1,000 lb	30403	\$2,935.00																																																			
2,000 lb	30401	\$2,935.00																																																			
2,500 lb	30399	\$2,935.00																																																			



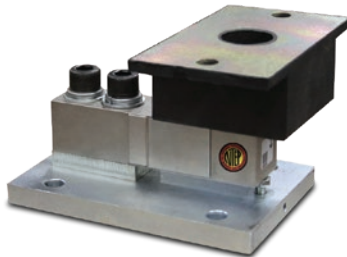
WEIGH MODULES
65059

Mini Tank Weighing Module, VPG Sensortronics



Picture is a representation of actual product.

The 65059 weigh module kit provides a cost-effective alternative for your customers' low-range weighing needs. A variety of features makes this kit easy to install and an exceptional choice for various indoor weighing applications where checking requirements are low. Environmentally protected load cells, neoprene isolation/compression mounts and other Rice Lake Weighing Systems components are the keys to this module's outstanding performance.



Module with VPG Sensortronics 65023 single-ended shear beam load cell; capacities (per module): NTEP Certified 1,000lb load cell shown.



65059 mild steel (50lb-250lb)

Complete Kit Includes

- One JB4SS NEMA Type 4X stainless steel signal trim junction box
- Three or four 60040 cantilever beam load cells (50 lb - 250 lb mild steel models)
- Three or four 65023-500-0107 single-ended beam load cells (500 lb mild steel models)
- Three or four 65023A1K-5107 single-ended beam load cells (1,000 lb - 2,500 lb mild steel models)
- Three or four 65023-500-0113 single-ended beam load cells (500 lb stainless steel model)
- Three or four 65023S1K-5113 single-ended beam load cells (1,000 lb - 2,500 lb stainless steel models)
- Three or four neoprene isolation/compression mounts
- 25 ft of hostile environment EL147HE SURVIVOR® load cell cable

Standard Features

- Zinc plated, mild steel modules
- Lower weighing ranges from 50 lb - 500 lb per module
- Environmentally protected load cells
- Neoprene isolation/compression mounts allow for minor misalignment, thermal expansion and shock absorption
- Overload stop for 500 lb modules provides durability

Applications

- Small tanks and hoppers
- Conveyor/In-motion weighing
- Small platform scales where minor shock loading may be a problem

Load Cell Certifications

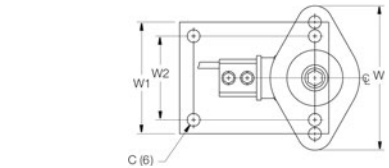


Dimensions

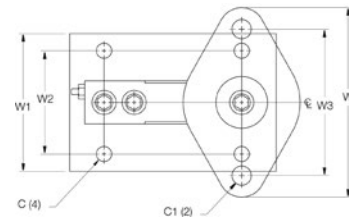
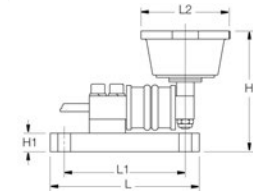
Rated Capacity	C	C1	H	H1	L	L1	L2	W	W1	W2	W3
lb/in											
50-250	0.34	—	3.13	0.50	4.00	3.25	2.38	3.88	3.00	2.25	—
500	0.44	0.56	3.88	0.50	6.00	4.00	3.38	5.50	4.00	3.00	4.13
1,000	0.44	—	4.00	0.50	6.00	4.00	3.00	5.13	4.00	3.00	4.13
2,000-2,500	0.44	0.56	4.00	0.50	6.00	4.00	4.62	6.25	4.00	3.00	5.00

Order Information

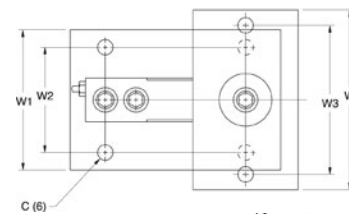
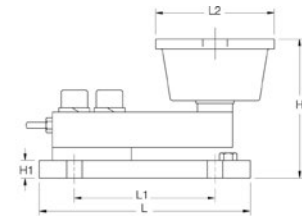
Load Rating (Per Module)	Part #	Price
Mild Steel Single Module (Includes Load Cell)		
50 lb	17825	\$460.00
100 lb	17826	\$460.00
150 lb	17827	\$460.00
250 lb	17828	\$460.00
500 lb	17829	\$609.00
1,000 lb	17830	\$609.00
2,000 lb	17946	\$609.00
2,500 lb	17947	\$609.00
Mild Steel 3-Module Kit		
50 lb	18063	\$1,616.00
100 lb	18064	\$1,616.00
150 lb	18065	\$1,616.00
250 lb	18066	\$1,616.00
500 lb	18067	\$2,088.00
1,000 lb	18068	\$2,088.00
2,000 lb	30413	\$2,088.00
2,500 lb	30412	\$2,088.00
Mild Steel 4-Module Kit		
50 lb	18069	\$2,078.00
100 lb	18070	\$2,078.00
150 lb	18071	\$2,078.00
250 lb	18072	\$2,078.00
500 lb	18073	\$2,645.00
1,000 lb	18074	\$2,645.00
2,000 lb	30414	\$2,645.00
2,500 lb	30411	\$2,645.00
Stainless Steel Single Module (Includes Load Cell)		
500 lb	17950	\$715.00
1,000 lb	17951	\$715.00
2,000 lb	17952	\$715.00
2,500 lb	17953	\$715.00
Stainless Steel 3-Module Kit		
500 lb	30392	\$2,375.00
1,000 lb	30410	\$2,375.00
2,000 lb	30408	\$2,375.00
2,500 lb	30406	\$2,375.00
Stainless Steel 4-Module Kit		
500 lb	30391	\$3,111.00
1,000 lb	30409	\$3,111.00
2,000 lb	30407	\$3,111.00
2,500 lb	30405	\$3,111.00



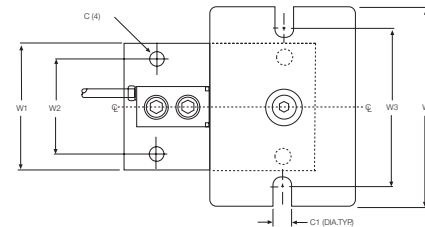
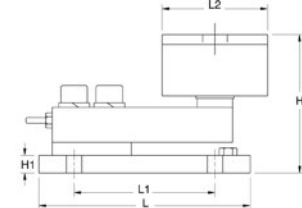
50-250lb



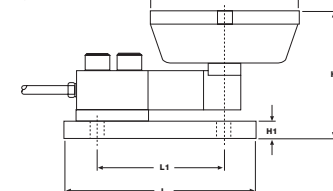
500lb



1,000lb



2,000lb-2,500lb



WEIGH MODULES

RL50219SS-TA

Mini Tank Weighing Module, Stainless Steel



Picture is a representation of actual product.

The RL50219SS-TA weigh module kit provides a cost-effective alternative for your customers' low-range weighing needs. A variety of features makes this kit easy to install and an exceptional choice for various indoor weighing applications where checking requirements are low. Environmentally protected load cells, neoprene isolation/compression mounts and other Rice Lake Weighing Systems components are the keys to this module's outstanding performance.



RL50219SS-TA stainless (50lb-250lb)

Complete Kit Includes

- One JB4SS NEMA Type 4X stainless steel signal trim junction box
- Three or four RL50219SS cantilever beam load cells (50-250 lb models)
- Three or four stainless steel single-ended beam load cells (500 lb models)
- Three or four neoprene isolation/compression mounts
- 25 ft of hostile environment EL147HE SURVIVOR® load cell cable

Standard Features

- Stainless steel modules
- Lower weighing ranges from 50-500 lb per module
- Environmentally protected load cells
- Neoprene isolation/compression mounts allow for minor misalignment, thermal expansion and shock absorption
- Overload stop for 500 lb modules provides durability

Applications

- Small tanks and hoppers
- Conveyor/In-motion weighing
- Small platform scales where minor shock loading may be a problem

WEIGH MODULES RL50219SS-TA

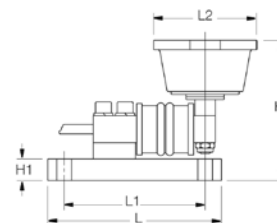
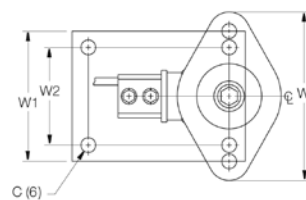
Mini Tank Weighing Module, Stainless Steel

Dimensions

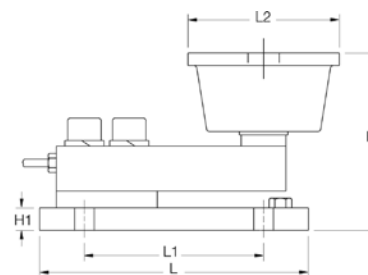
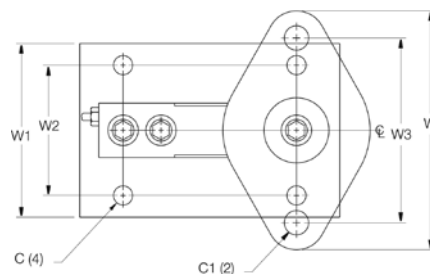
Rated Capacity	C	C1	H	H1	L	L1	L2	W	W1	W2	W3
lb/in											
50-250	0.34	—	3.13	0.50	4.00	3.25	2.38	3.88	3.00	2.25	—
500	0.44	0.56	3.88	0.50	6.00	4.00	3.38	5.50	4.00	3.00	4.13

Order Information

Load Rating (Per Module)	Part #	Price
Single Module (Includes Load Cell)		
50 lb	196829	\$695.00
75 lb	196830	\$695.00
100 lb	196831	\$695.00
150 lb	196832	\$695.00
250 lb	196833	\$695.00
500 lb	17954	\$715.00
3-Module Kit		
50 lb	196840	\$2,364.00
75 lb	196841	\$2,364.00
100 lb	196842	\$2,364.00
150 lb	196843	\$2,364.00
250 lb	196844	\$2,364.00
500 lb	30394	\$2,375.00
4-Module Kit		
50 lb	196845	\$3,058.00
75 lb	197015	\$3,058.00
100 lb	196846	\$3,058.00
150 lb	196848	\$3,058.00
250 lb	196849	\$3,058.00
500 lb	30393	\$3,111.00



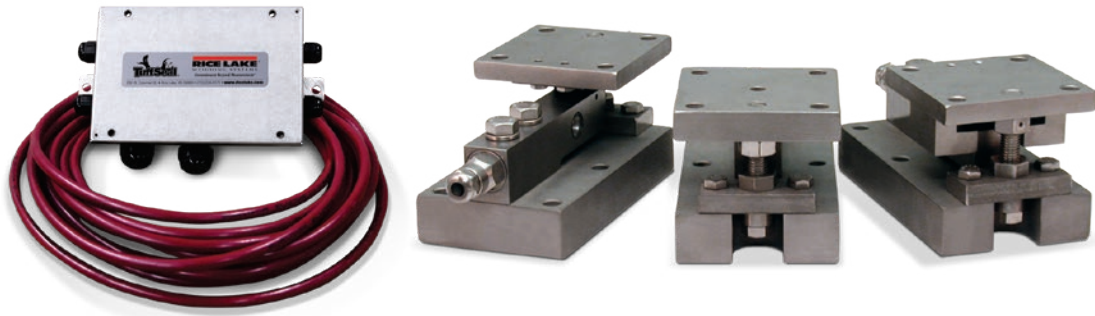
50-250lb



500lb

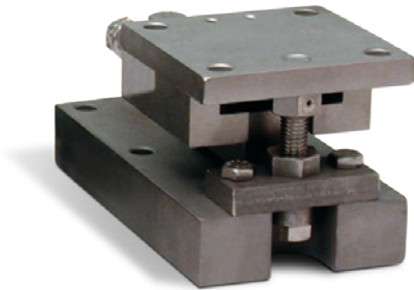
Paramounts® EP

Environmentally Protected, Mild Steel, Light- to Medium-capacity Tank Weighing Systems

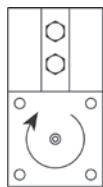


Picture is a representation of actual product.

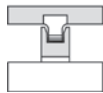
The Paramounts EP system offers all the design advantages of the Paramounts system in applications where the extensive sealing of the SB4 load cell is not necessary. Paramounts EP provides a low-cost alternative for the superior mechanical loading system found in the standard Paramounts. Economy and performance are in one complete weighing system.



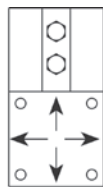
Free-sliding module with Flintec SB5 single-ended beam load cell.



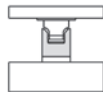
A: FIXED PIN



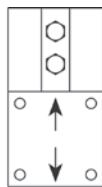
Fixed-pin Mount



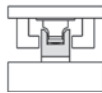
B: FREE SLIDING



Free-sliding Mount



C: SIDE STOP



Side-stop Mount

Complete Kit Includes

- One JB4SS NEMA Type 4X stainless steel signal trim junction box
- One fixed-pin module, one side-stop module, and one or two free-sliding assemblies. Each module is complete with a Flintec SB5 NTEP Certified 1:5000d, Class III, stainless steel environmentally protected load cell
- 25 ft of hostile environment EL147HE SURVIVOR® load cell cable

Standard Features

- Capacities (per module): 1,125-22,500 lb
- NTEP Certified load cells
- Unique design allows for thermal expansion/contraction
- Jacking screw allows empty vessel to be lifted clear of load cell for maintenance
- Unique blind load hole eliminates unwanted side and eccentric loads
- Vessel is free to slide laterally on PTFE-coated surfaces
- Load cell outputs are matched to $\pm 0.07\%$ allowing replacement without further calibration

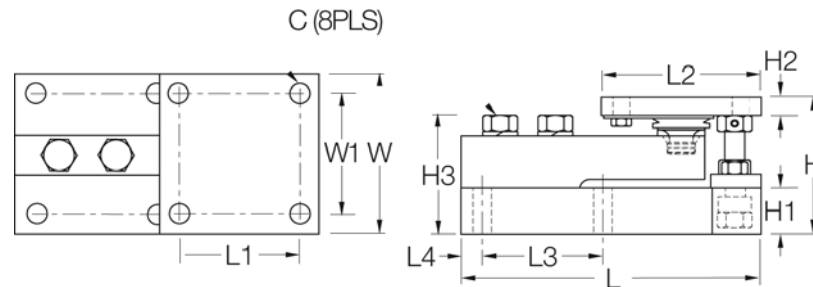
Applications

- Light- to medium-capacity tanks and hoppers
- Process measurement and control

Load Cell Certifications



Available



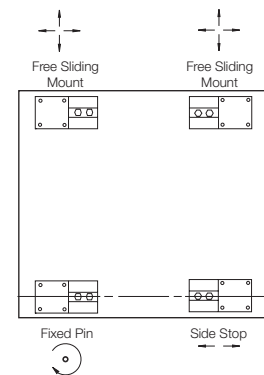
Dimensions

Rated Capacity	C	H	H1	*H2	**H2	H3	L	L1	L2	L3	L4	W	W1
kN/in													
5-23	0.44	3.58	1.25	0.50	0.75	3.06	7.51	3.00	4.00	3.00	0.50	4.00	3.00
50	0.56	4.66	1.50	0.62	1.00	4.09	9.19	3.87	5.00	3.87	0.56	5.00	3.87
100	0.69	6.41	2.00	0.75	1.25	5.73	11.46	4.75	6.00	4.75	0.69	6.00	4.75

* Side-stop and free-sliding units ** Fixed-pin units

Order Information

Load Rating (Per Module)	Part #	Price
NTEP Certified 3-Module Kits		
5 kN	33683	\$2,575.00
10 kN	33682	\$2,575.00
23 kN	33681	\$2,575.00
50 kN	33680	\$2,965.00
NTEP Certified 4-Module Kits		
5 kN	33678	\$3,433.00
10 kN	33677	\$3,433.00
23 kN	33676	\$3,433.00
50 kN	33675	\$4,372.00
Non-NTEP Certified 3-Module Kit		
100 kN	33679	\$4,712.00
Non-NTEP Certified 4-Module Kit		
100 kN	33674	\$5,803.00

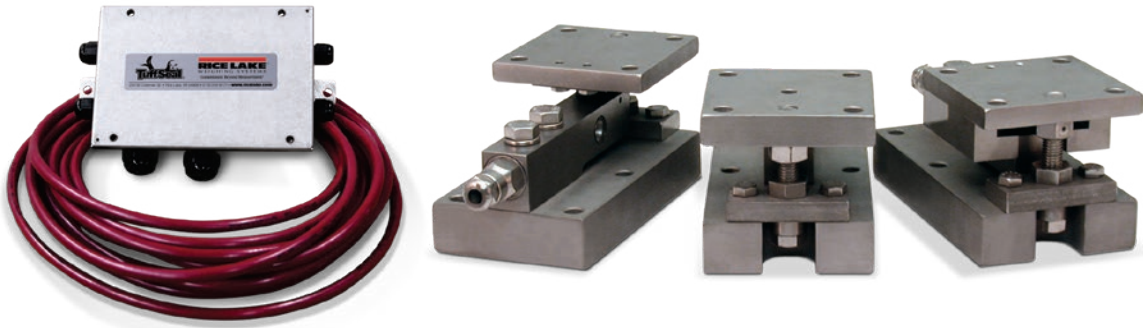


VESSEL ARRANGEMENT

When arranged as illustrated, the vessel is fixed at one corner but is able to slide freely as indicated. This ensures that there is minimal side loading on the cells and at the same time the vessel is self-checking. The unique, patented blind load hole technology used in these mounts introduces the load at the neutral axis of the load cell which helps minimize the effects of side loads.

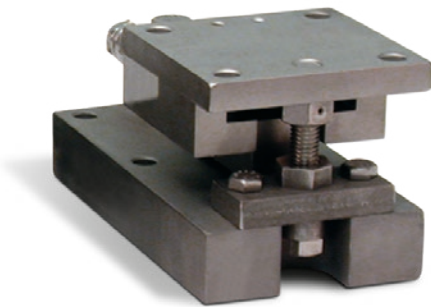
Paramounts® HS

Hermetically Sealed, Mild Steel, Light- to Medium-capacity Tank Weighing Systems

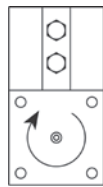


Picture is a representation of actual product.

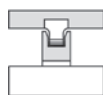
The Paramounts tank weighing system consists of one fixed-pin mount which allows only the top plate to rotate, one side-stop mount which allows the top plate to slide along the cell only, and one or more free-sliding mount(s) which allows the top plate to slide freely in all directions. This system provides self checking while maintaining unparalleled system accuracy.



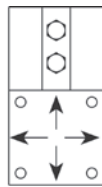
Free-sliding module with Flintec SB4 bending beam load cell.



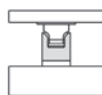
A: FIXED PIN



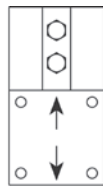
Fixed-Pin Mount



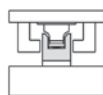
B: FREE SLIDING



Free-Sliding Mount



C: SIDE STOP



Side-Stop Mount

Complete Kit Includes

- One JB4SS NEMA Type 4X stainless steel signal trim junction box
- One fixed-pin module, one side-stop module, and one or two free-sliding assemblies. Each module is complete with a FLINTEC SB4 or SB10 (520 lb) stainless steel hermetically sealed load cell
- 25 ft of hostile environment EL147HE SURVIVOR® load cell cable

Standard Features

- Capacities (per module): 520-22,500 lb
- Unique design allows for thermal expansion/contraction
- Jacking screw allows empty vessel to be lifted clear of load cell for maintenance
- Unique blind load hole eliminates unwanted side and eccentric loads
- Vessel is free to slide laterally on PTFE-coated surfaces
- Load cell outputs are matched to $\pm 0.07\%$ allowing replacement without further calibration

Optional Features

- NTEP Certified load cells available: Capacities 1,125 -11,250 lb

Applications

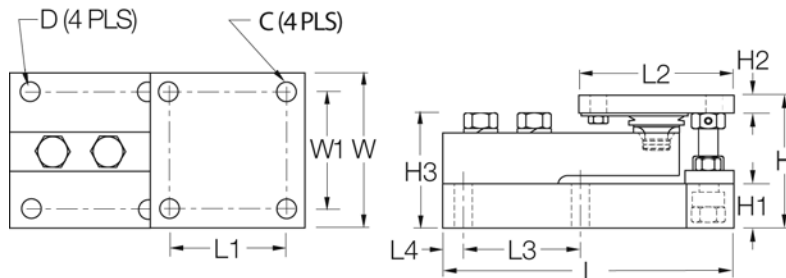
- Light- to medium-capacity tanks and hoppers
- Mixers and blenders
- Process measurement and control

Load Cell Certifications



Paramounts® HS

Hermetically Sealed, Mild Steel, Light- to Medium-capacity Tank Weighing Systems



Dimensions

Rated Capacity	C	D	H	H1	*H2	**H2	H3	L	L1	L2	L3	L4	W	W1
lb/in														
2.3 kN	0.38	0.44	3.49	1.00	0.50	0.75	2.98	7.51	3.00	4.00	3.00	0.50	4.00	3.00
5 kN-23 kN	0.44	0.44	3.58	1.25	0.50	0.75	3.06	7.51	3.00	4.00	3.00	0.50	4.00	3.00
50 kN	0.56	0.56	4.66	1.50	0.62	1.00	4.09	9.19	3.87	5.00	3.87	0.56	5.00	3.87
100 kN	0.69	0.69	6.41	2.00	0.75	1.25	5.73	11.46	4.75	6.00	4.75	0.69	6.00	4.75

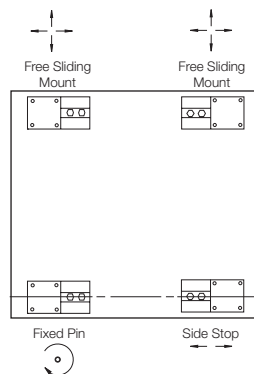
* Side-stop and free-sliding units ** Fixed-pin units

Order Information

Load Rating (Per Module)	Part #	Price
NTEP Certified 3-Module Kit		
5 kN	29871	\$3,280.00
10 kN	29872	\$3,280.00
23 kN	29873	\$3,280.00
50 kN	29874	\$4,000.00
NTEP Certified 4-Module Kit		
5 kN	29875	\$4,415.00
10 kN	29876	\$4,415.00
23 kN	29877	\$4,415.00
50 kN	29878	\$4,975.00

Order Information

Load Rating (Per Module)	Part #	Price
Non-NTEP Certified 3-Module Kit		
2.3 kN	38205	\$4,170.00
5 kN	17977	\$3,175.00
10 kN	17978	\$3,175.00
23 kN	17979	\$3,175.00
50 kN	17980	\$3,842.00
100 kN	17981	\$4,970.00
Non-NTEP Certified 4-Module Kit		
2.3 kN	38206	\$5,560.00
5 kN	17984	\$4,192.00
10 kN	17985	\$4,192.00
23 kN	17986	\$4,192.00
50 kN	17987	\$4,755.00
100 kN	17988	\$6,000.00
**Conduit adapter 1/2-14 NPT	17703	\$50.00

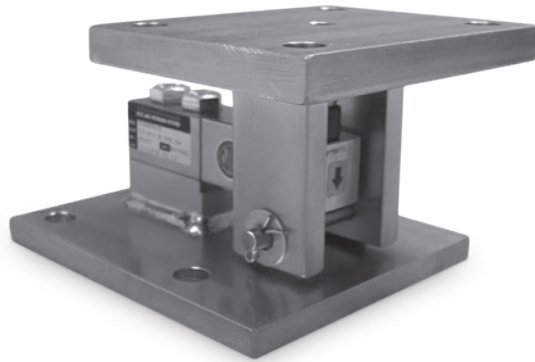


VESSEL ARRANGEMENT

When arranged as illustrated, the vessel is fixed at one corner but is able to slide freely as indicated. This ensures that there is minimal side loading on the cells and at the same time the vessel is self-checking. The unique, patented blind load hole technology used in these mounts introduces the load at the neutral axis of the load cell which helps minimize the effects of side loads.

WEIGH MODULES RLBTM

Mild Steel/Stainless Steel Weigh Modules



Does not include load cell.
Picture is a representation of actual product.

The RLBTM mount was specifically created to take advantage of the improved load introduction accuracy of the ball and cup design. This multi-purpose mount is ideal for both indoor and outdoor applications, and can be used with a variety of single-ended beam load cells. Available in both mild and stainless steel, the RLBTM offers superior accuracy at an affordable price. These assemblies are also quick and easy to install, making the RLBTM the perfect choice for low-capacity, multi-purpose weighing needs.

Dimensions

Rated Capacity	A	B	C	D	E	F	G	H	I
250-5,000 SE*	8.00	5.00	6.00	4.50	3.50	4.75	4.00	7.00	0.63

*SE refers to small envelope

Mild Steel Order Information

Load Rating (Per Module)	Part #	Price
Single Module (Does NOT Include Load Cell)		
250 lb-5,000 lb SE	53059	\$410.00

Stainless Steel Order Information

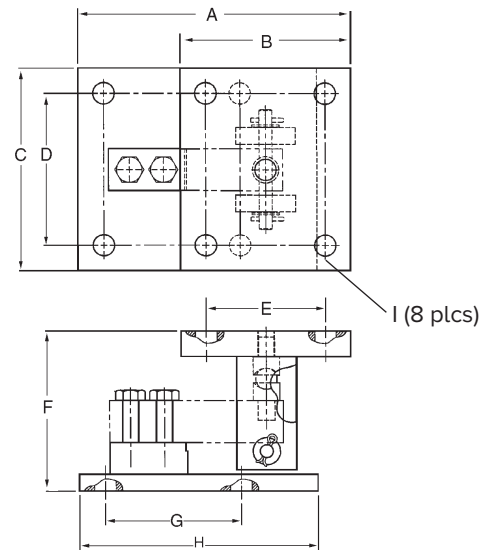
Load Rating (Per Module)	Part #	Price
Single Module (Does NOT Include Load Cell)		
250 lb-5,000 lb SE	53066	\$625.00

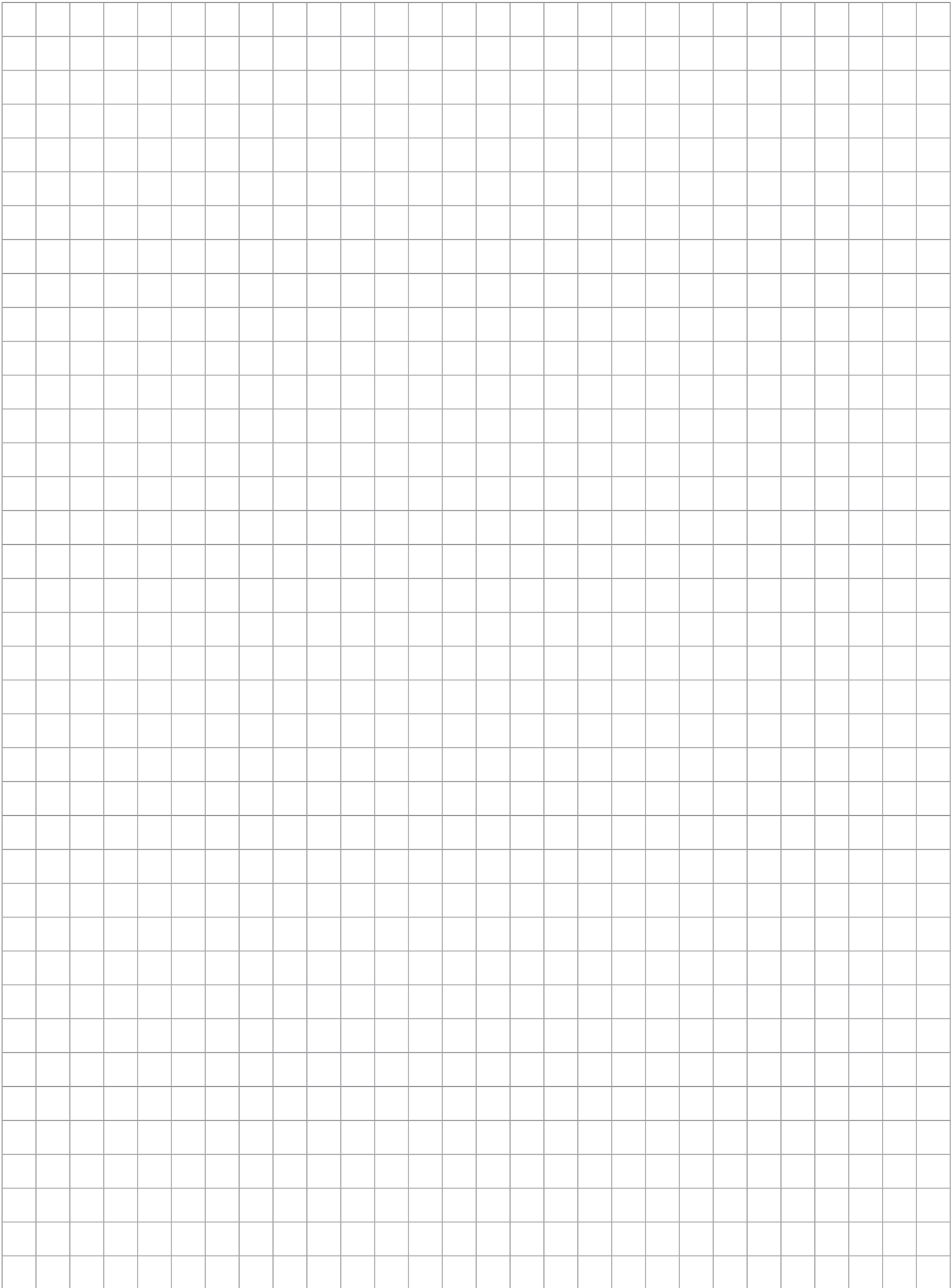
Standard Features

- Capacities (per module): 250-5,000 lb SE
- Zinc plated, mild steel construction or stainless steel construction
- Self-checking, multi-directional movement
- Design incorporates a ball and cup for self centering
- The RLBTM will accommodate a standard shear beam 250-5,000 lb SE load cell that has a threaded load hole. RL30000, RL39123, RL35023, RL35082, RL35083

Applications

- Light- to medium-capacity tanks and hoppers
- Conveyors





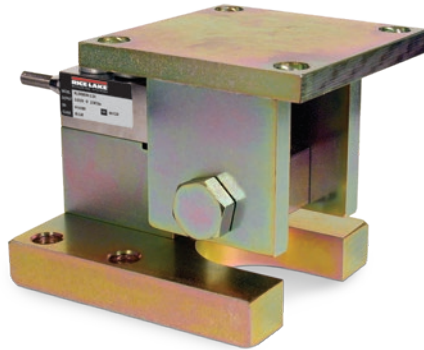
RL1800 Series

Mild Steel/Stainless Steel Weigh Modules



Picture is a representation of actual product

The RL1800 Series mounting assembly kit utilizes several Rice Lake Weighing Systems components to provide an unmatched level of performance in tank and hopper weighing applications. The RL1800 Series kit is ideally suited for indoor and outdoor process control operations with medium-range capacities. Each module combines multi-directional movement and self-checking capabilities. The load cells used are NTEP Certified in capacities of 1,000 lb to 10,000 lb.



Module with RL32018 single-ended beam load cell.

Complete Kit Includes

- One JB4SS NEMA Type 4X stainless steel signal trim junction box
- Three or four RL1800 mild steel or stainless steel compression mounts
- Three or four RL32018 single-ended beam load cells, RL32018S used in stainless steel
- 25 ft of hostile environment EL147HE SURVIVOR® load cell cable

Standard Features

- Capacities (per module): 250-10,000 lb
- NTEP Certified cells in 1,000-10,000 lb capacities, except 3,000 lb
- Zinc plated mild steel/stainless steel construction
- Center-pivoted, tension loading design
- Self-checking, multi-directional movement
- Load is suspended on high-strength bolt instead of wire rope
- Design incorporates spherical washers for self centering
- Stainless steel kit includes RL32018S NTEP Certified load cell

Applications

- Conveyors
- Medium-capacity tanks and hoppers

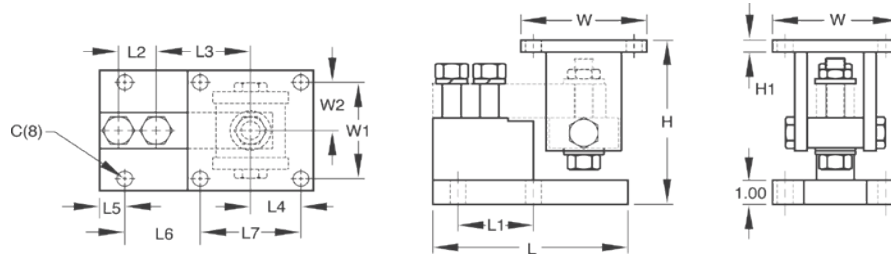
Load Cell Certifications



Except 250lb and 500lb

RL1800 Series

Mild Steel/Stainless Steel Weigh Modules



Dimensions

Rated Capacity	C	H Min/ Max	H1	L	L1	L2	L3	L4	L5	L6	L7	W	W1	W2
Mild Steel Construction														
lb/in														
250-5,000 SE	0.62	5.25/5.56	0.50	6.00	2.00	1.00	3.00	2.00	0.68	1.94	4.00	5.00	4.00	2.00
5,000 LE-10,000	0.62	6.12/6.62	0.50	7.75	3.00	1.50	3.75	2.00	1.03	2.97	4.00	5.00	4.00	2.00
Stainless Steel Construction														
lb/in														
1,000-4,000	0.62	5.25/5.56	0.50	6.00	2.00	1.00	3.00	2.00	0.68	1.94	4.00	5.00	4.00	2.00
5,000-10,000	0.62	6.12/6.62	0.50	7.75	3.00	1.50	3.75	2.00	1.03	2.97	4.00	5.00	4.00	2.00

Mild Steel Order Information

Load Rating (Per Module)	Part #	Price
Single Module (Does NOT Include Load Cell)		
250 lb-5,000 lb SE	17817	\$380.00
5,000 lb LE-10,000 lb	17819	\$408.00
3-Module Kit		
250 lb*	18075	\$2,290.00
500 lb*	18076	\$2,290.00
1,000 lb	18077	\$2,290.00
2,000 lb	18078	\$2,290.00
2,500 lb	18079	\$2,290.00
3,000 lb	18080	\$2,290.00
4,000 lb	18081	\$2,290.00
5,000 lb SE	18082	\$2,290.00
5,000 lb LE	18083	\$2,640.00
10,000 lb	18084	\$2,640.00
4-Module Kit		
250 lb*	18085	\$2,973.00
500 lb*	18086	\$2,973.00
1,000 lb	18087	\$2,973.00
2,000 lb	18088	\$2,973.00
2,500 lb	18089	\$2,973.00
3,000 lb	18090	\$2,973.00
4,000 lb	18091	\$2,973.00
5,000 lb SE	18092	\$2,973.00
5,000 lb LE	18093	\$3,418.00
10,000 lb	18094	\$3,418.00

SE=Small envelope; LE=Large envelope

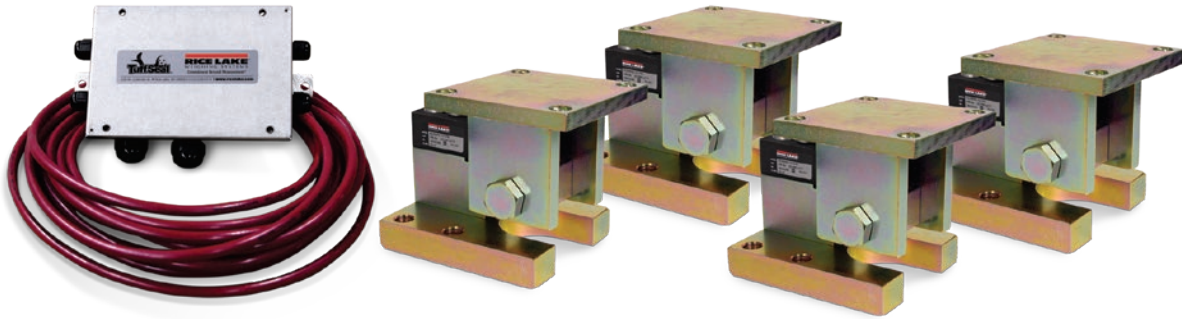
* Non-NTEP Certified using RL30000 or RL32018 load cells.

Stainless Steel Order Information

Load Rating (Per Module)	Part #	Price
Single Module (Does NOT Include Load Cell)		
250 lb-4,000 lb	17818	\$610.00
5,000 lb-10,000 lb	17820	\$645.00
3-Module Kit		
1,000 lb	18095	\$3,100.00
2,000 lb	18096	\$3,100.00
2,500 lb	18097	\$3,100.00
4,000 lb	18099	\$3,100.00
5,000 lb LE	18100	\$3,355.00
10,000 lb	18101	\$3,355.00
4-Module Kit		
1,000 lb	18102	\$4,129.00
2,000 lb	18103	\$4,129.00
2,500 lb	18104	\$4,129.00
4,000 lb	18106	\$4,129.00
5,000 lb LE	18107	\$4,478.00
10,000 lb	18108	\$4,478.00
Dummy Cell		
Dummy load cell 1k-5k SE	22980	\$53.00

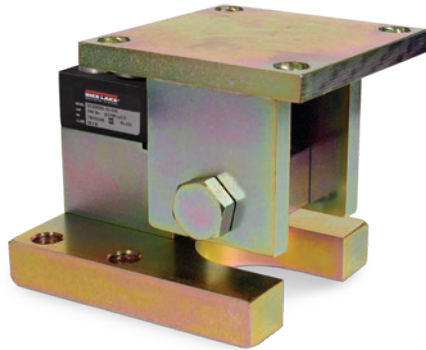
RL1800 Series Painted Load Cell Version

Stainless Steel Weigh Modules



Picture is a representation of actual product

The RL1800 Series mounting assembly kit utilizes several Rice Lake Weighing Systems components to provide an unmatched level of performance in tank and hopper weighing applications. The RL1800 Series kit is ideally suited for indoor and outdoor process control operations with medium-range capacities. Each module combines multi-directional movement and self-checking capabilities. The load cells used are NTEP Certified in capacities of 1,000 lb to 10,000 lb.



Module with RL35023S painted single-ended beam load cell.

Complete Kit Includes

- One JB4SS NEMA Type 4X stainless steel signal trim junction box
- Three or four RL1800 stainless steel compression mounts
- Three or four RL35023S painted stainless steel single-ended beam load cells
- 25 ft of hostile environment EL147HE SURVIVOR® load cell cable

Standard Features

- Capacities (per module): 1,000-10,000 lb
- NTEP Certified cells in 1,000-10,000 lb capacities
- Stainless steel construction
- Center-pivoted, tension loading design
- Self-checking, multi-directional movement
- Load is suspended on high-strength bolt instead of wire rope
- Design incorporates spherical washers for self centering
- Painted load cells for corrosion protection

Applications

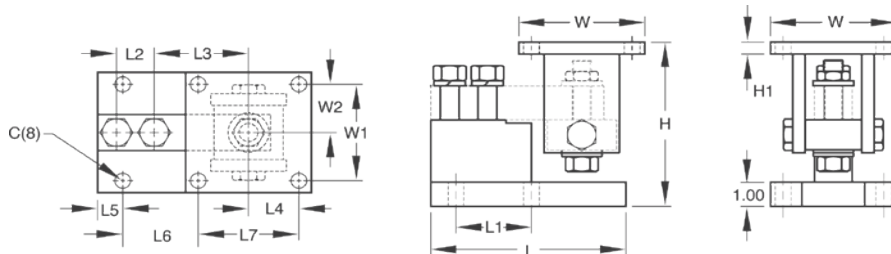
- Conveyors
- Medium-capacity tanks and hoppers

Load Cell Certifications



RL1800 Series Painted Load Cell Version

Stainless Steel Weigh Modules



Dimensions

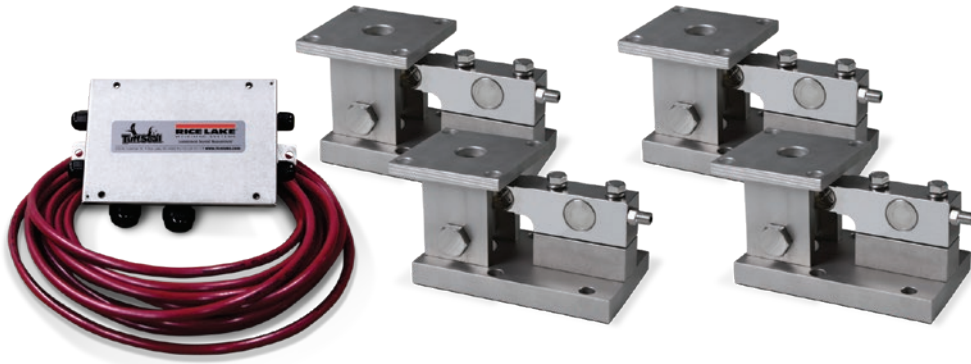
Rated Capacity	C	H Min/ Max	H1	L	L1	L2	L3	L4	L5	L6	L7	W	W1	W2
lb/in														
1,000-4,000	0.62	5.25/5.56	0.50	6.00	2.00	1.00	3.00	2.00	0.68	1.94	4.00	5.00	4.00	2.00
5,000-10,000	0.62	6.12/6.62	0.50	7.75	3.00	1.50	3.75	2.00	1.03	2.97	4.00	5.00	4.00	2.00

Stainless Steel Order Information

Load Rating (Per Module)	Part #	Price
Single Module (Does NOT Include Load Cell)		
1,000 lb-4,000 lb	17818	\$610.00
5,000 lb-10,000 lb	17820	\$645.00
3-Module Kit		
1,000 lb	188177	\$3,085.00
2,000 lb	188179	\$3,085.00
2,500 lb	188181	\$3,085.00
4,000 lb	188183	\$3,085.00
5,000 lb	188185	\$3,340.00
10,000 lb	188187	\$3,340.00
4-Module Kit		
1,000 lb	188178	\$4,112.00
2,000 lb	188180	\$4,112.00
2,500 lb	188182	\$4,112.00
4,000 lb	188184	\$4,112.00
5,000 lb	188186	\$4,450.00
10,000 lb	188188	\$4,450.00

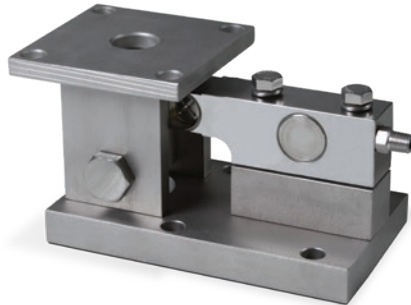
RL1900 Series

Stainless Steel Weigh Modules



Picture is a representation of actual product

The RL1900 Series weigh module kit utilizes several Rice Lake Weighing Systems components to provide an unmatched level of performance in tank and hopper weighing applications. The RL1900 kit is ideally suited for tank, hopper and bin weighing operations with medium-range capacities. Each module combines multi-directional movement and self-checking capabilities. The welded-seal, stainless steel RLSSB load cell withstands washdown environments that may present problems to other cells.



Module with welded-seal RLSSB single-ended beam load cell.

Complete Kit Includes

- One JB4SS NEMA Type 4X stainless steel signal trim junction box
- Three or four RL1900 stainless steel compression mounts
- Three or four RLSSB welded stainless steel single-ended beam load cells
- 25 ft of hostile environment EL147HE SURVIVOR® load cell cable

Standard Features

- NTEP Certified load cells, 1:5000d, Class III single cell
- Capacities (per module): 1,000-10,000lb
- 304 stainless steel construction
- Center-pivoted, tension loading design
- Welded-seal stainless steel load cells, IP67
- Self-checking, multi-directional movement
- Easy load cell replacement
- Load is suspended on high-strength bolt instead of wire rope
- Design incorporates spherical washers

Optional Features

- Also compatible with RTI SSB load cells

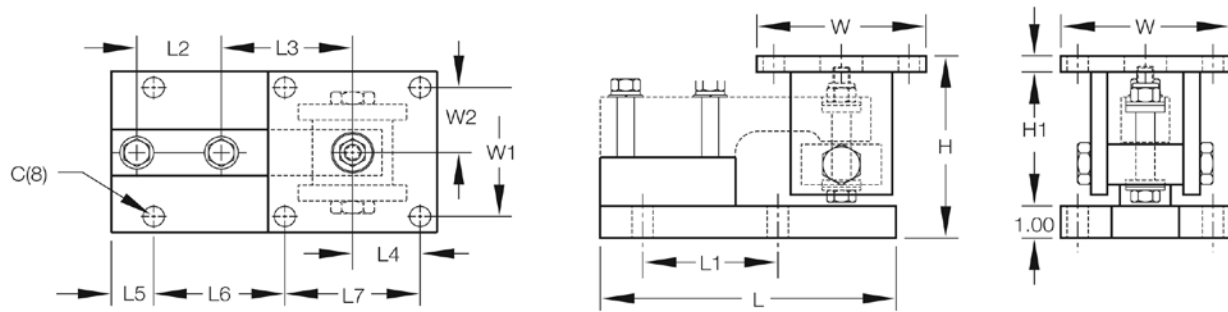
Applications

- Medium-capacity tanks, bins and hoppers
- Washdown applications

Load Cell Certifications



WEIGH MODULES
RL1900 Series
 Stainless Steel Weigh Modules



Dimensions

Rated Capacity	C	H Min/Max	H1	L	L1	L2	L3	L4	L5	L6	L7	W	W1	W2
lb/in														
1,000-5,000	0.62	5.38/5.62	0.50	8.75	4.00	2.50	3.88	2.00	1.12	4.00	4.00	5.00	4.00	2.00
10,000	0.81	6.88/7.50	1.00	9.75	5.00	2.63	4.88	2.25	1.00	5.00	4.50	6.00	4.50	2.25

Order Information

Load Rating (Per Module)	Part #	Price
Single Module (Does NOT Include Load Cell)		
1,000 lb-5,000 lb	17841	\$667.00
10,000 lb	17843	\$725.00
3-Module Kit		
1,000 lb	18109	\$4,187.00
2,000 lb	18110	\$4,187.00
5,000 lb	18111	\$4,187.00
10,000 lb	18112	\$4,665.00
4-Module Kit		
1,000 lb	18113	\$5,575.00
2,000 lb	18114	\$5,575.00
5,000 lb	18115	\$5,575.00
10,000 lb	18116	\$6,175.00

WEIGH MODULES

RLTM

Stainless Steel Tank Weigh Modules



Picture is a representation of actual product.

The RLTM weigh module assembly features a stainless steel, welded-seal RL30745 or RL32018S-T NTEP Certified load cell and a fully stainless mount including all associated hardware. Using a rocker pin-loading concept, this design provides accurate weighing in most conditions. Standard features include both overload and overlift protection, making it ideal for most outdoor, low-capacity tank and vessel weighing applications. Each Rice Lake RLTM module is provided standard with one load cell with 30 ft of cable and one mount.

Complete Kit Includes

- One JB4SS NEMA Type 4X stainless steel signal trim junction box
- Three or four Rice Lake RLTM stainless steel mounting assemblies
- Three or four RL30745 or RL32018S-T stainless steel load cells
- 25 ft of hostile environment EL147HE SURVIVOR® load cell cable

Standard Features

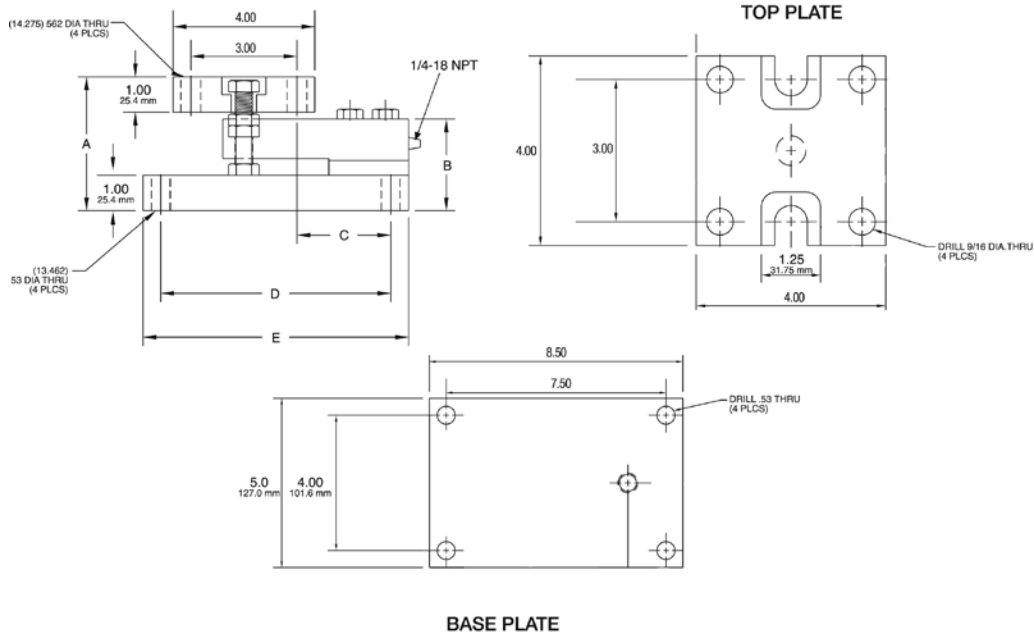
- Capacities: 500-10,000 lb
- Stainless steel
- Overload and over lift protection
- Rocker pin loading
- Welded-seal load cells
- Integral lateral stops
- 30 ft cable on load cells

Applications

- Lower capacity tank and vessel weighing
- Process control and batching

Load Cell Certifications:





Dimensions

Rated Capacity	A	B	C	D	E
500-2,500	3.77	2.59	2.62	6.50	7.50
5,000	3.99	2.83	2.62	6.50	7.50
10,000	4.27	3.08	3.88	7.50	8.50

Order Information

Load Rating (Per Module)	Part #	Price
Single Module (Includes Load Cell)		
500 lb	159288	\$1,057.00
1,250 lb	159289	\$1,057.00
2,500 lb	159290	\$1,057.00
5,000 lb	159291	\$1,277.00
10,000 lb	159292	\$1,277.00
3-Module Kit		
500 lb	162942	\$3,297.00
1,250 lb	162944	\$3,297.00
2,500 lb	162945	\$3,297.00
5,000 lb	162946	\$4,080.00
10,000 lb	162947	\$4,080.00
4-Module Kit		
500 lb	162948	\$4,350.00
1250 lb	162949	\$4,350.00
2500 lb	162950	\$4,350.00
5000 lb	162951	\$5,240.00
10,000 lb	162953	\$5,240.00

WEIGH MODULES

RL9000TWM Series

Stainless Steel, Tank, Hopper and Vessel Weighing Assembly



Picture is a representation of actual product.

The RL9000TWM Series stainless steel weigh module is ideal for use in tank, hopper, vessel and many other applications. The low-profile design offers an economical solution in a competitive marketplace. This rugged, high-precision mount is designed for easy installation and does not require check rods or other stabilizing hardware. The stainless steel construction and welded seal offer additional protection in washdown areas.

Specifications

Full Scale Output:
3 ($\pm 0.1\%$) mV/V

Bridge Resistance:
350 ohms

Material/Finish:
Stainless steel

Operating Temperature:
0° F to 150° F (-17° C to 65° C)

Seal Type:
Welded-seal, IP67

Safe Overload:
150% full scale

Rated Excitation:
5-10 VDC

Insulation Resistance:
5,000 megohms

Non-linearity:
1 k-100 k 0.05% full scale
150 k-450 k 0.1% full scale

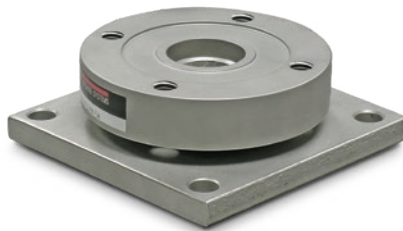
Non-repeatability:
1-100 k=0.02% full scale
150-450 k=0.03% full scale

Cable Length:
25 ft

Deflection at Capacity:
1-15 k=0.002in
20-50 k=0.004in
60-100 k=0.007in
150-200 k=0.007in
250-400 k=0.009in

Cable Color Code:
Green +Excitation
Black -Excitation
White +Signal
Red -Signal

Warranty:
Two-year limited



Assembly with integral
RL9000TWM compression disk load cell.

Complete Kit Includes

- One JB4SS NEMA Type 4X stainless steel signal trim junction box
- Three or four stainless steel mounting assemblies
- 25 ft of hostile environment EL147HE SURVIVOR® load cell cable

Standard Features

- Capacities: 1,000-450,000lb
- Very low profile design
- 3 mV/V output
- Self-centering
- Self-checking assembly
- Offers 100% sideload, 100% uplift and 150% static safe load and 300% ultimate static overload protection
- Stainless steel construction
- Welded seal
- Weighs accurately with as much as a 3° non-parallel load
- Includes 25 ft load cell cable

Optional Features

- Stainless steel top plates (150,000- 450,000 lb have mild steel painted base plate)

Applications

- Tank, hopper or vessel weighing

Load Cell Certifications



RL9000TWM Series

Stainless Steel, Tank, Hopper and Vessel Weighing Assembly

Order information

Load Rating (Per Module)	Part #	Price
Single Module		
1,000 lb	84353	\$710.00
2,500 lb	84354	\$710.00
5,000 lb	84355	\$710.00
10,000 lb	84356	\$710.00
15,000 lb	84357	\$710.00
20,000 lb	84358	\$1,350.00
25,000 lb	84359	\$1,350.00
35,000 lb	84360	\$1,350.00
50,000 lb	84361	\$1,350.00
60,000 lb	84362	\$2,255.00
75,000 lb	84363	\$2,255.00
100,000 lb	84364	\$2,255.00
150,000 lb	84365	\$4,600.00
200,000 lb	84366	\$4,600.00
250,000 lb	84368	\$6,750.00
300,000 lb	84369	\$6,750.00
400,000 lb	84370	\$6,750.00
450,000 lb	84371	\$6,750.00
3-Module Kit		
1,000 lb	98974	\$2,355.00
2,500 lb	98980	\$2,355.00
5,000 lb	98981	\$2,355.00
10,000 lb	98982	\$2,355.00
15,000 lb	98983	\$2,355.00
20,000 lb	98984	\$4,275.00
25,000 lb	98985	\$4,275.00
35,000 lb	98986	\$4,275.00
50,000 lb	98987	\$4,275.00
60,000 lb	98988	\$6,930.00
75,000 lb	98989	\$6,930.00
100,000 lb	98990	\$6,930.00
150,000 lb	98991	\$13,935.00
200,000 lb	98992	\$13,935.00
250,000 lb	98993	\$20,415.00
300,000 lb	98994	\$20,415.00
400,000 lb	98995	\$20,415.00
450,000 lb	98996	\$20,415.00
4-Module Kit		
1,000 lb	98997	\$2,970.00
2,500 lb	98998	\$2,970.00
5,000 lb	98999	\$2,970.00
10,000 lb	99000	\$2,970.00
15,000 lb	99001	\$2,970.00
20,000 lb	99002	\$5,530.00
25,000 lb	99003	\$5,530.00
35,000 lb	99004	\$5,530.00
50,000 lb	99005	\$5,530.00
60,000 lb	99006	\$9,110.00
75,000 lb	99007	\$9,110.00
100,000 lb	99008	\$9,110.00
150,000 lb	99009	\$18,435.00
200,000 lb	99010	\$18,435.00
250,000 lb	99011	\$27,050.00

Load Rating (Per Module)	Part #	Price
300,000 lb	99012	\$27,050.00
400,000 lb	99013	\$27,050.00
450,000 lb	99014	\$27,050.00
Top Plates (Stainless Steel) with bolts		
1,000 lb - 15,000 lb	91207	\$125.00
20,000 lb - 50,000 lb	91210	\$285.00
60,000 lb - 100,000 lb	91211	\$465.00
150,000 lb - 200,000 lb	91213	\$740.00
250,000 lb - 450,000 lb	91215	\$1,710.00
Top Plates (Mild Steel) with bolts		
1,000 lb - 15,000 lb	124758	\$60.00
20,000 lb - 50,000 lb	125141	\$115.00
60,000 lb - 100,000 lb	124759	\$165.00
150,000 lb - 200,000 lb	124760	\$262.00
250,000 lb - 450,000 lb	124761	\$388.00
Dummy Weigh Modules (non-functioning)		
1,000 lb - 10,000 lb	158749	\$100.00
15,000 lb	158750	\$130.00
20,000 lb - 50,000 lb	158752	\$145.00
60,000 lb - 100,000 lb	158753	\$160.00
150,000 lb - 200,000 lb	158754	\$410.00
250,000 lb - 450,000 lb	158755	\$435.00

150,000lb - 450,000lb have mild steel painted base plates

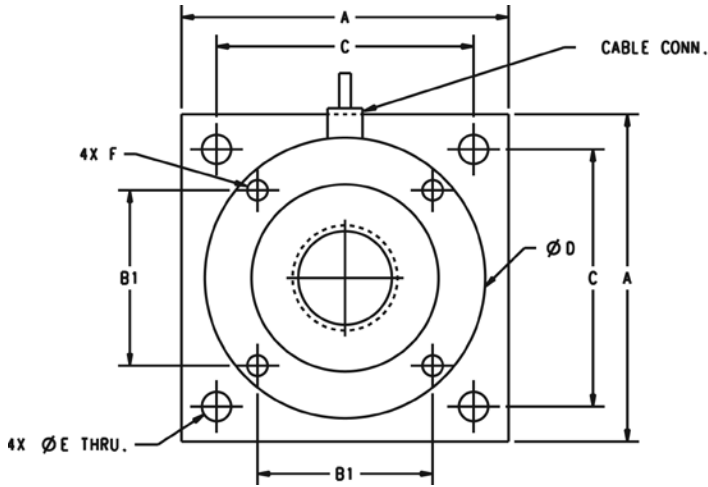
Order information

Capacity	Thickness	Material	Part #	Price
Shims				
1,000 lb - 15,000 lb	0.0625	SST	167001	\$3.00
1,000 lb - 15,000 lb	0.125	SST	167002	\$4.00
1,000 lb - 15,000 lb	0.250	SST	167003	\$11.00
1,000 lb - 15,000 lb	0.0625	MS	167004	\$2.50
1,000 lb - 15,000 lb	0.125	MS	167005	\$2.75
1,000 lb - 15,000 lb	0.250	MS	167006	\$3.25
20,000 lb - 50,000 lb	0.0625	SST	167008	\$4.75
20,000 lb - 50,000 lb	0.125	SST	167009	\$6.75
20,000 lb - 50,000 lb	0.250	SST	167010	\$14.00
20,000 lb - 50,000 lb	0.0625	MS	167011	\$3.00
20,000 lb - 50,000 lb	0.125	MS	167012	\$2.75
20,000 lb - 50,000 lb	0.250	MS	167013	\$4.00
60,000 lb - 100,000 lb	0.0625	SST	167014	\$8.50
60,000 lb - 100,000 lb	0.125	SST	167015	\$17.00
60,000 lb - 100,000 lb	0.250	SST	167016	\$31.00
150,000 lb - 200,000 lb	0.0625	SST	167020	\$10.50
150,000 lb - 200,000 lb	0.125	SST	167021	\$15.50
150,000 lb - 200,000 lb	0.250	SST	167022	\$55.00
250,000 lb - 450,000 lb	0.0625	SST	167026	\$20.00
250,000 lb - 450,000 lb	0.125	SST	167027	\$22.00
250,000 lb - 450,000 lb	0.250	SST	167028	\$70.00

Shims match dimensions of base plate and optional top plate

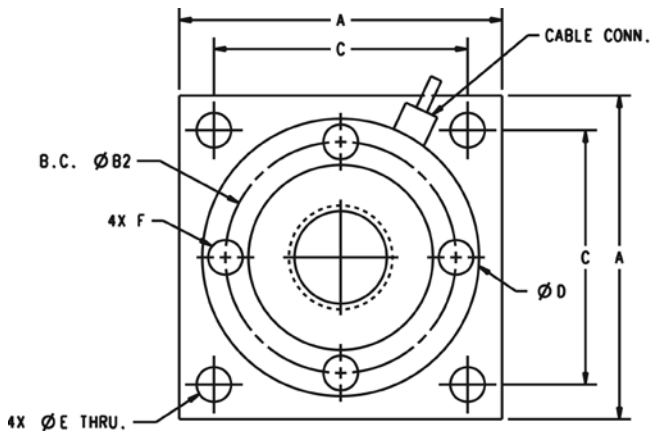
RL9000TWM Series

Stainless Steel, Tank, Hopper and Vessel Weighing Assembly



Dimensions (inches)

Rated Capacity lb/in	A	B1	C	D	E	F	G	H	I	Conduit Adapter
1,000-10,000	4.00	2.00	3.25	3.50	0.40	3/8-16 UNC	1.35	0.375	0.75	N/A
15,000	4.00	2.00	3.25	3.50	0.40	3/8-16 UNC	1.60	0.625	0.75	N/A
20,000-50,000	7.00	3.75	5.50	6.00	0.63	1/2-13 UNC	2.48	0.75	1.30	1/2-14 NPT
60,000-100,000	8.00	4.25	6.50	7.00	0.81	3/4-16 UNC	2.50	1.00	1.30	1/2-14 NPT

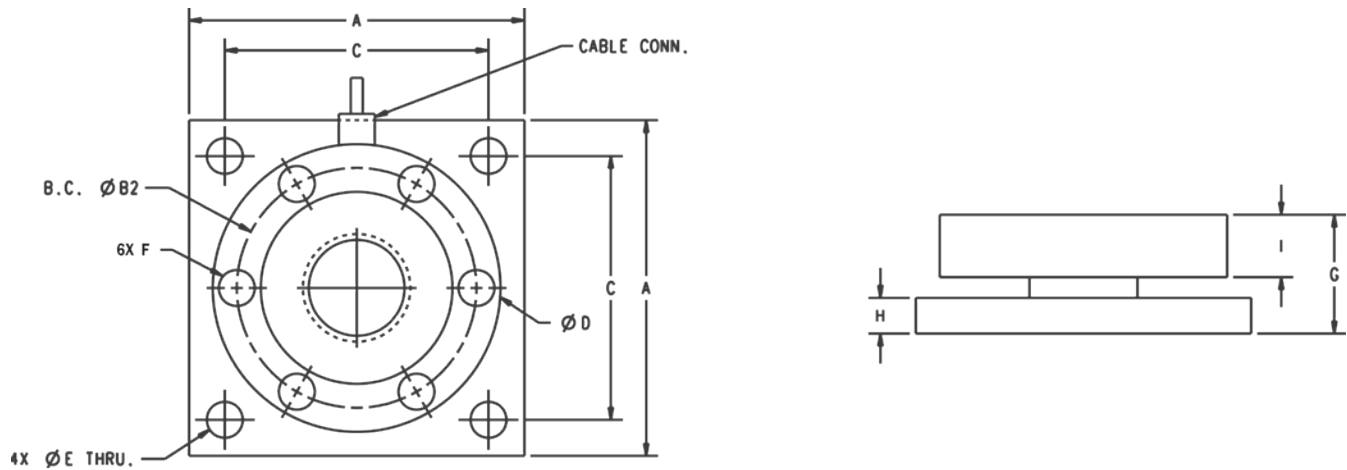


Dimensions (inches)

Rated Capacity lb/in	A	B2	C	D	E	F	G	H	I	Conduit Adapter
150,000-200,000	10.0	7.825	8.00	9.00	1.10	1-14 UNF	4.75	2.00	1.70	1/2-14 NPT

RL9000TWM Series

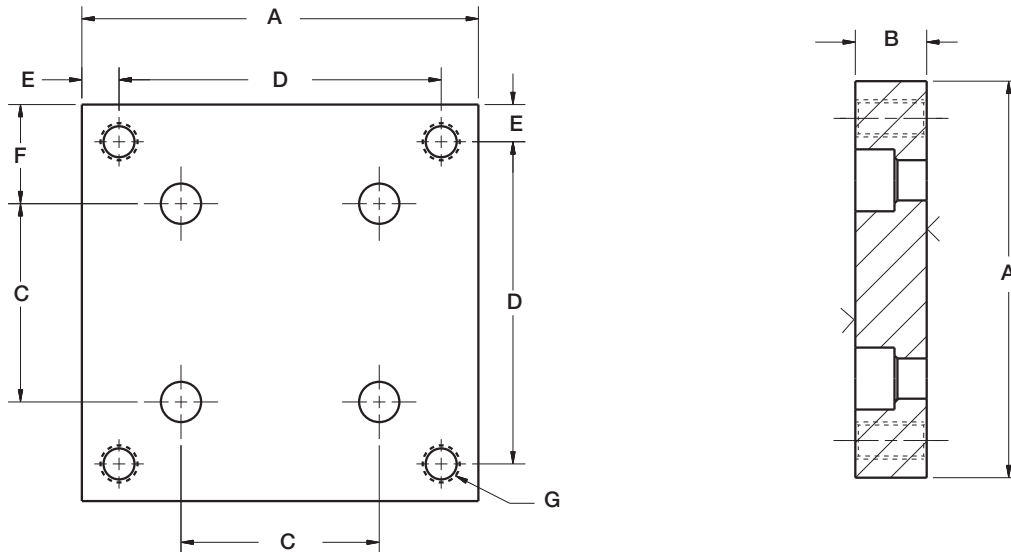
Stainless Steel, Tank, Hopper and Vessel Weighing Assembly



Dimensions

Rated Capacity	A	B2	C	D	E	F	G	H	I	Conduit Adapter
lb/in										
250,000-450,000	11.00	7.75	9.00	9.00	1.30	7/8-14 UNF	6.42	3.00	2.25	1/2-14 NPT

Optional Top Plates

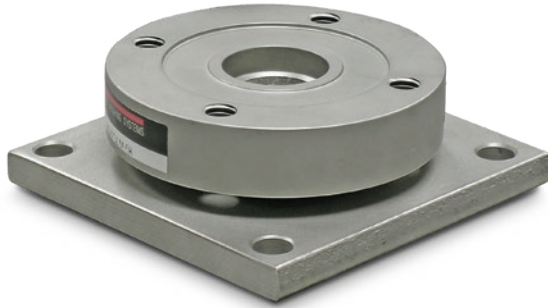


Dimensions

Rated Capacity	A	B	C	D	E	F	G
lb/in							
1,000-15,000	4.00	0.72	2.00	3.25	0.38	1.00	3/8-16 UNC
20,000-50,000	7.00	0.97	3.75	5.50	0.75	1.62	5/8-11 UNC
60,000-100,000	8.00	1.46	4.25	6.50	0.75	1.88	3/4-16 UNF
150,000-200,000	10.00	1.94	5.53	8.00	1.00	2.25	1-14 UNS
250,000-450,000	11.00	2.94	7.75 B.C.	9.00	1.00	1.00	1-1/4-12 UNF

RL9000TWM-HT

Tank, Hopper and Vessel Weigh Module



Picture is a representation of actual product.

The RL9000TWM-HT weigh module is part of the popular RL9000TWM Series weigh module. The RL9000TWM-HT is a high temperature version that is designed to operate in temperatures up to 400°F.

The integral 25ft of PTFE cable complements the RL9000TWM-HT weigh module.

Specifications

Full Scale Output:

3 (± 0.1%) mV/V

Bridge Resistance:

700 ohms

Material/Finish:

Stainless steel

Safe Overload:

150% full scale

Non-linearity:

0.05% full scale

Non-repeatability:

0.02% full scale

Operating Temperature:

0° F to 400° F (-17° C to 204° C)

Insulation Resistance:

5,000 megohm

Seal Type:

Welded seal, IP67

Deflection at Capacity:

1-15k =0.002 in
20-50 k =0.004 in

Cable Length:

25 ft PTFE jacket

Cable Color Code:

Green +Excitation
Black -Excitation
White +Signal
Red -Signal

Warranty:

Two-year limited

Standard Features

- Capacities: 1,000-50,000 lb
- Very low profile design
- 3 mV/V output
- Self-centering
- Self-checking assembly
- Offers 100% side load, 100% uplift and 150% safe load and 300% ultimate overload protection
- Stainless steel construction
- Welded seal
- Weighs accurately with as much as a 3° non-parallel load
- Integral 25 ft PTFE cable

Optional Features

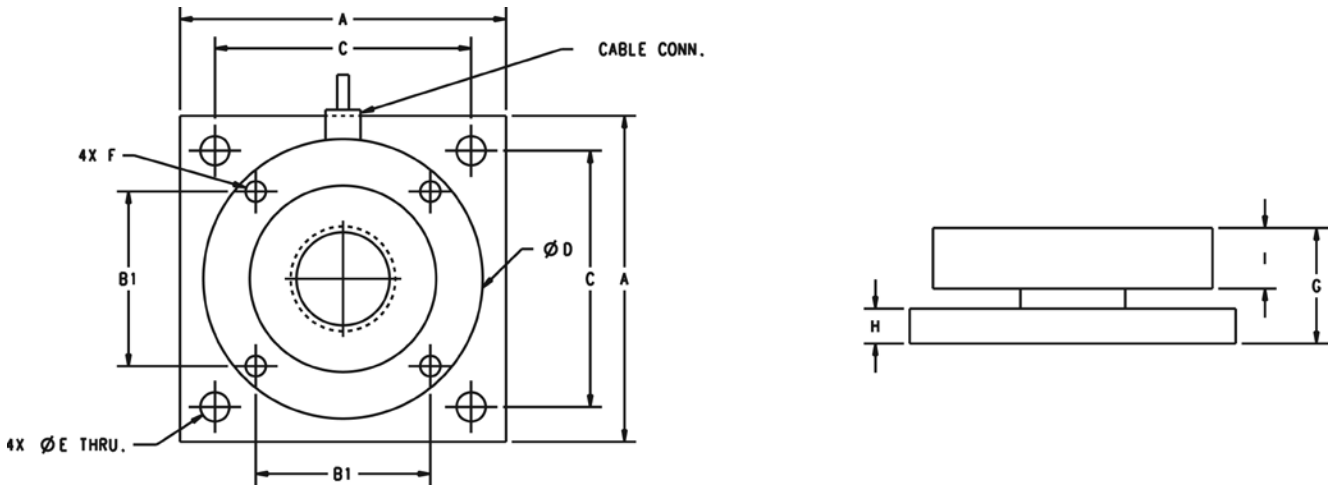
- Stainless steel top plates
- Higher capacities available upon request

Applications

- Tank, hopper or vessel weighing
- High temperature applications

WEIGH MODULES
RL9000TWM-HT
Tank, Hopper and Vessel Weigh Module

WEIGH MODULES



Dimensions

Rated Capacity	A	B1	C	D	E	F	G	H	I	Conduit Adapter
lb/in										
1,000-10,000	4.00	2.00	3.25	3.50	0.40	3/8-16 UNC	1.35	0.375	0.75	—
15,000	4.00	2.00	3.25	3.50	0.40	3/8-16 UNC	1.60	0.625	0.75	—
20,000-50,000	7.00	3.75	5.50	6.00	0.63	1/2-13 UNC	2.48	0.750	1.30	1/2-14NPT

Order Information

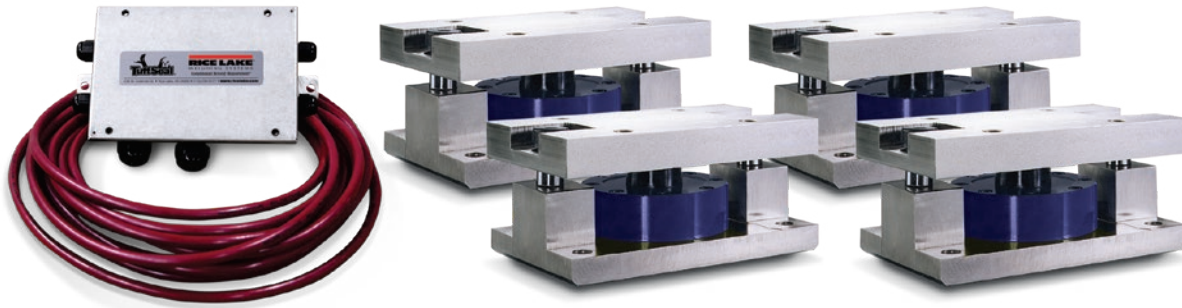
Load Rating (per module)	Part #	Price
Single Module		
1,000 lb	117050	\$1,225.00
2,500 lb	117051	\$1,225.00
5,000 lb	117052	\$1,225.00
10,000 lb	117140	\$1,225.00
15,000 lb	117053	\$1,225.00
20,000 lb	117054	\$1,945.00
25,000 lb	117055	\$1,945.00
35,000 lb	117056	\$1,945.00
50,000 lb	117057	\$1,945.00
Top Plates (Stainless Steel) with bolts		
1,000 lb-15,000 lb	91207	\$125.00
20,000 lb-50,000 lb	91210	\$285.00
Top Plates (Mild Steel) with bolts		
1,000-15,000 lb	124758	\$60.00
20,000-50,000 lb	125141	\$115.00

www.ricelake.com | Phone: 800-472-6703

RICE LAKE

RL2200 Series

Tank, Hopper and Vessel Weighing Assembly



Picture is a representation of actual product

The RL2200 Series mounts are ideal for use in tank, hopper, vessel and many other applications. The low-profile design allows for economical solutions in a competitive marketplace. This rugged, high-precision mount is designed for easy installation and does not require check rods or other stabilizing hardware. The RL2200 mount has the added feature of self centering, allowing for side loads without sacrificing performance.

Specifications

Full Scale Output:

4.0 mV/V
2.0 mV/V (2,500 lb)

Bridge Resistance:

350 ohms nominal

Material/Finish:

High-alloy steel, painted

Safe Overload:

150% full scale

Rated Excitation:

5-10 VDC (20 V maximum)

Nonlinearity:

0.05% full scale

Hysteresis:

0.03% full scale

Temperature:

Compensated range
15°F to 115°F (-9°C to 46°C)

Insulation Resistance:

5,000 megohm

Seal Type:

Environmentally sealed

Cable Length:

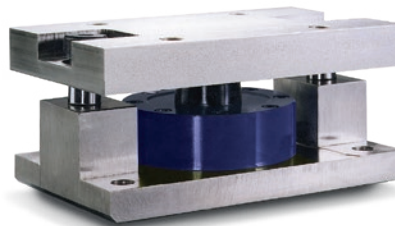
30 ft

Cable Color Code:

Red +Excitation
Black -Excitation
White +Signal
Green -Signal

Warranty:

Two-year limited warranty



Assembly with integral RL2200 compression disk load cell.

Complete Kit Includes

- One JB4SS NEMA Type 4X stainless steel signal trim junction box
- Three or four RL2200 high-alloy, zinc-plated steel mounting assemblies
- Three or four RL2200 compression disk load cells
- 25 ft of hostile environment EL147HE SURVIVOR® load cell cable

Standard Features

- Capacities: 2,500-50,000 lb
- Low-profile design
- High 4 mV/V output (2 mV/V, 2,500 lb)
- Self-centering in all directions, able to withstand excessive side loads
- Self-checking assembly

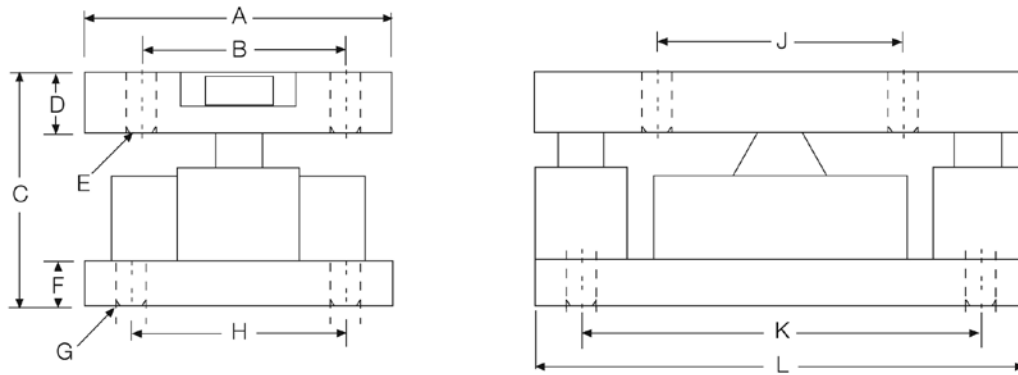
Applications

- Tank, hopper or vessel weighing
- Belt or roller conveyors
- Scale platforms and screw feeders

WEIGH MODULES

RL2200 Series

Tank, Hopper and Vessel Weighing Assembly



Dimensions

Rated Capacity	A	B	C	D	E	F	G	H	J	K	L
lb/in											
2,500-10,000	5.00	3.50	4.00	1.00	0.52	1.0	0.52	3.50	4.00	6.50	8.00
25,000-50,000	6.00	4.50	5.00	1.25	0.78	1.0	0.78	4.50	5.00	7.75	10.0

Order Information

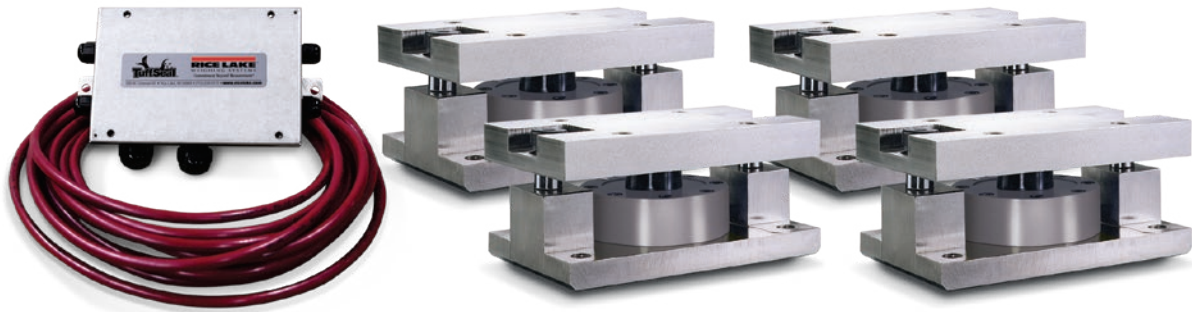
Load Rating (Per Module)	Part #	Price
Single Module		
2,500 lb	76656	\$1,870.00
5,000 lb	45849	\$1,870.00
10,000 lb	45848	\$1,870.00
25,000 lb	45847	\$2,517.00
50,000 lb	45846	\$2,517.00
3-Module Kit		
2,500 lb	76897	\$5,595.00
5,000 lb	42811	\$5,595.00
10,000 lb	42812	\$5,595.00
25,000 lb	42813	\$7,219.00
50,000 lb	42814	\$7,219.00
4-Module Kit		
2,500 lb	76898	\$7,398.00
5,000 lb	42815	\$7,398.00
10,000 lb	42816	\$7,398.00
25,000 lb	42817	\$8,565.00
50,000 lb	42818	\$8,565.00

Replacement Load Cell Order Information

Load Rating (Per Module)	Part #	Price
2,500 lb	76654	\$1,325.00
5,000 lb	45708	\$1,325.00
10,000 lb	45709	\$1,325.00
25,000 lb	45710	\$1,669.00
50,000 lb	45711	\$1,669.00

RL2200SS Series

Stainless Steel, Tank, Hopper and Vessel Weighing Assembly



Picture is a representation of actual product.

The RL2200SS Series mounts are ideal for use in tank, hopper, vessel and many other applications. The low-profile design allows for economical solutions in a competitive marketplace. This rugged, high-precision mount is designed for easy installation and does not require check rods or other stabilizing hardware. The RL2200SS mount has the added feature of self centering, allowing for side loads without sacrificing performance.

Specifications

Full Scale Output:

4.0 mV/V
2.0 mV/V (2,500 lb)

Bridge Resistance:

350 ohms nominal

Material/Finish:

Stainless steel

Safe Overload:

150% full scale

Rated Excitation:

5-10 VDC (20 V maximum)

Nonlinearity:

0.05% full scale

Hysteresis:

0.03% full scale

Temperature:

Compensated range:
15°F to 115°F (9°C to 46°C)

Insulation Resistance:

5,000 megohm

Seal Type:

Hermetically sealed, IP66/68

Cable Length:

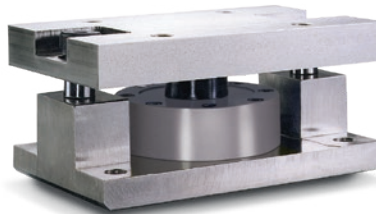
30 ft

Cable Color Code:

Red +Excitation
Black -Excitation
White +Signal
Green -Signal

Warranty:

Two-year limited warranty



Assembly with integral RL2200SS compression disk load cell.

Complete Kit Includes

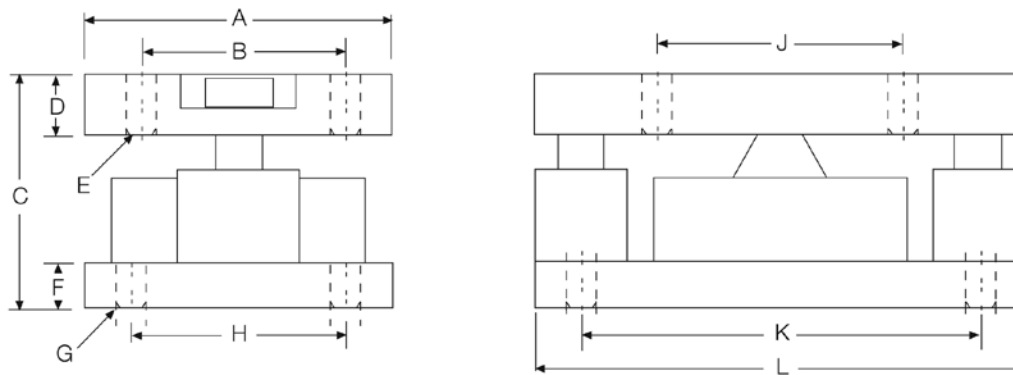
- One JB4SS NEMA Type 4X stainless steel signal trim junction box
- Three or four RL2200 stainless steel mounting assemblies
- Three or four RL2200SS stainless steel, hermetically sealed, compression disk load cells
- 25 ft of hostile environment EL147HE SURVIVOR® load cell cable

Applications

- Tank, hopper or vessel weighing
- Belt or roller conveyors
- Scale platforms and screw feeders

RL2200SS Series

Stainless Steel, Tank, Hopper and Vessel Weighing Assembly



Dimensions

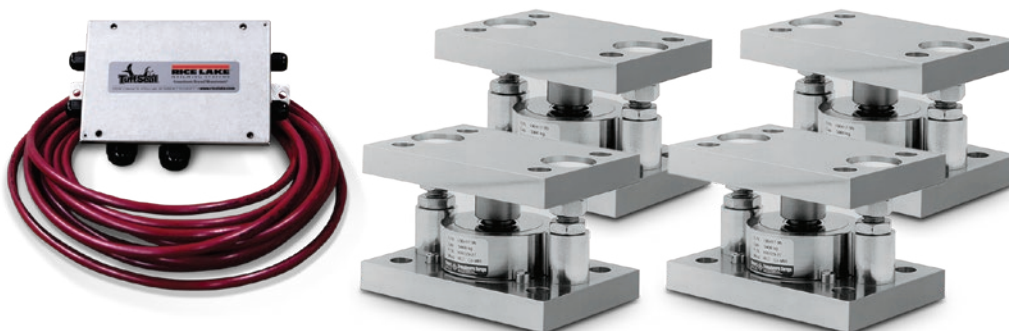
Rated Capacity	A	B	C	D	E	F	G	H	J	K	L
lb/in											
2,500-10,000	5.00	3.50	4.00	1.00	0.52	1.00	0.52	3.50	4.00	6.50	8.00
25,000-50,000	6.00	4.50	5.00	1.25	0.78	1.00	0.78	4.50	5.00	7.75	10.00

Order Information

Load Rating (Per Module)	Part #	Price
Single Module		
2,500 lb	76657	\$2,708.00
5,000 lb	45845	\$2,708.00
10,000 lb	45844	\$2,708.00
25,000 lb	45843	\$4,580.00
50,000 lb	45842	\$4,580.00
3-Module Kit		
2,500 lb	76899	\$7,695.00
5,000 lb	46478	\$7,695.00
10,000 lb	46479	\$7,695.00
25,000 lb	46480	\$13,409.00
50,000 lb	46481	\$13,409.00
4-Module Kit		
2,500 lb	76900	\$10,176.00
5,000 lb	46482	\$10,176.00
10,000 lb	46483	\$10,176.00
25,000 lb	46484	\$17,490.00
50,000 lb	46485	\$17,490.00

Replacement Load Cell Order Information

Load Rating (Per Module)	Part #	Price
2,500 lb	76655	\$1,563.00
5,000 lb	45712	\$1,563.00
10,000 lb	45713	\$1,563.00
25,000 lb	45714	\$2,565.00
50,000 lb	45715	\$2,565.00



Picture is a representation of actual product.

The RLC self-aligning silo mount, together with the RLC load cell family, are an ideal solution for process control, batch weighing, silo/hopper and belt scale applications. The RLC mount incorporates a removable rocker pin design that uses hardened stainless steel components on all load-bearing surfaces. The fully stainless steel construction guarantees long-term reliability.



Module with hermetically sealed RLC compression canister load cell.

Complete Kit Includes

- One JB4SS NEMA Type 4X stainless steel signal trim junction box
- Three or four RLC stainless steel compression mounts
- Three or four RLC stainless steel hermetically sealed compression disk load cells
- 25 ft of hostile environment EL147HE SURVIVOR® load cell cable

Standard Features

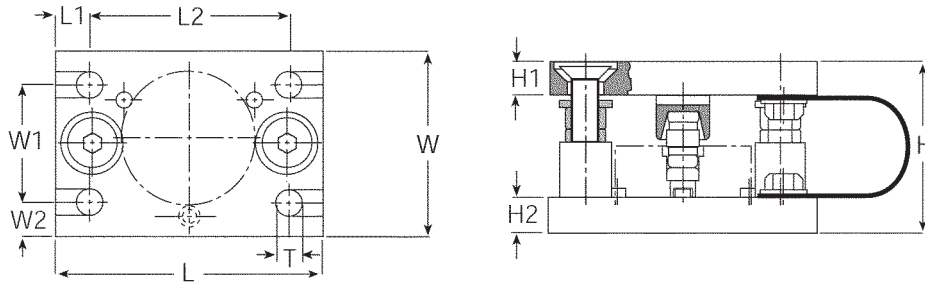
- Capacities (per module): 0.5-5 t
- Matched output load cells eliminate trimming
- 304 stainless steel construction
- Rocker pin design allows movement in all directions
- Hermetically sealed, IP66/68 stainless steel load cells
- Easy load cell replacement
- Integral jacking/shipping bolts

Applications

- Medium-capacity tanks, bins and hoppers
- Washdown applications
- Process control and batch weighing

Load Cell Certifications





Dimensions

Rated Capacity	H	H1	H2	L	L1	L2	T	W	W1	W2
ton/mm										
0.5-1	80.0	20.0	15.0	150.0	15.0	120.0	14 (top plate)	100.0	70.0	15.0
2-5	100.0	20.0	20.0	160.0	20.0	120.0	13.8 (bottom plate)	110.0	70.0	20.0

Order Information

Load Rating (Per Module)	Part #	Price
Single Module (Includes Load Cell)		
0.5t	36401	\$1,198.00
1t	36402	\$1,198.00
2t	36403	\$1,383.00
3.5t	36404	\$1,383.00
5t	36405	\$1,383.00
3-Module Kit		
0.5t	36406	\$3,885.00
1t	36407	\$3,885.00
2t	36408	\$4,065.00
3.5t	36409	\$4,065.00
5t	36410	\$4,065.00
4-Module Kit		
0.5t	36411	\$5,083.00
1t	36412	\$5,083.00
2t	36413	\$5,422.00
3.5t	36414	\$5,422.00
5t	36415	\$5,422.00

Replacement Rocker Pin Set*

Load Rating (Per Module)	Part #	Price
250 kg - 1t	170875	\$132.00
2t - 5t	170876	\$132.00
10t	170877	\$132.00

*Kit includes upper cup, rocker pin and grease

220 Universal Mount

Stainless Steel Weigh Modules, VPG Tedeá-Huntleigh



Picture is a representation of actual product

The 220 Universal Mount is designed to be used with the VPG® Tedeá-Huntleigh Model 220 load cell. The mount incorporates built-in jacking bolts to prevent damage to the load cell during installation. Its stainless steel construction is designed to be used in the harshest of environments.

Specifications

Full Scale Output:
2.0 mV/V

Bridge Resistance:
1,000 ohms, nominal

Material/Finish:
Stainless steel

Operating Temperature Range:
14°F to 104°F (-10°C to 40°C)

Seal Type:
Hermetically sealed, IP68

Safe Overload:
150% at center loading point, full scale

Rated Excitation:
5-10 VDC (15 V maximum)

Combined Error:
0.020% full scale

Insulation Resistance:
2,000 megaohm

Cable Length:
5,000 kg=5 m
10,000-20,000 kg=10 m
30,000 kg=20 m

Cable Color Code:
Blue +Excitation
Black -Excitation
White +Signal
Red -Signal
Green +Sense
Grey -Sense

Warranty:
One-year limited warranty



Module with hermetically sealed 220 compression load cell.

Complete Kit Includes

- One JB4SS NEMA Type 4X stainless steel signal trim junction box
- Three or four 220 stainless steel compression mounts
- Three or four 220 stainless steel hermetically sealed compression disk load cells
- 25 ft of hostile environment EL147HE SURVIVOR® load cell cable

Standard Features

- Capacities (per module): 5,000-30,000 kg
- Matched output load cells eliminate trimming
- 304 stainless steel construction
- Hermetically sealed, IP68 stainless steel load cells
- Easy load cell replacement
- Integral jacking/shipping bolts

Applications

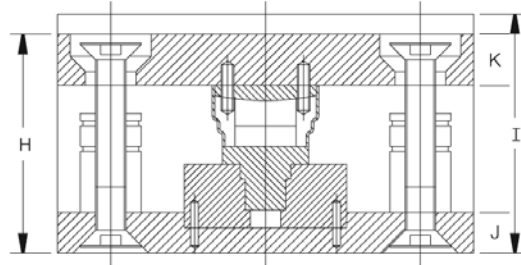
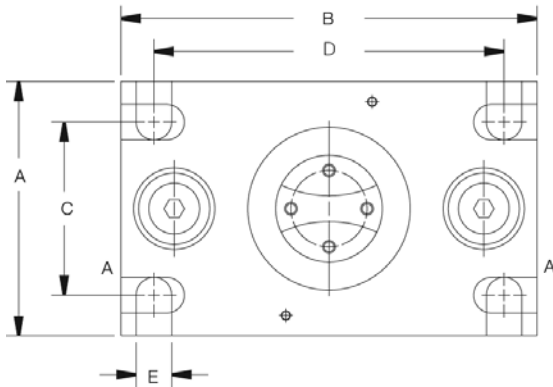
- Medium- to high-capacity tanks, bins and hoppers
- Washdown applications
- Process control and batch weighing

Load Cell Certifications



220 Universal Mount

Stainless Steel Weigh Modules, VPG Tedeo-Huntleigh



Dimensions

Rated Capacity	A	B	C	D	E	H	I	J	K
kg/mm									
5,000-10,000	127.0	203.0	90.0	170.0	18.0	107.0	118.0	19.1	25.4
20,000-30,000	152.0	245.0	115.0	208.0	24.0	148.0	156.0	31.8	25.4

Order Information

Load Rating (Per Module)	Part #	Price
3-Module Kit (Includes Load Cell)		
5,000 kg	66208	\$6,355.00
10,000 kg	66209	\$6,355.00
20,000 kg	66210	\$7,200.00
30,000 kg	66211	\$7,200.00
4-Module Kit (Includes Load Cell)		
5,000 kg	66212	\$8,369.00
10,000 kg	66213	\$8,369.00
20,000 kg	66214	\$9,672.00
30,000 kg	66215	\$9,672.00

Replacement Mount Parts

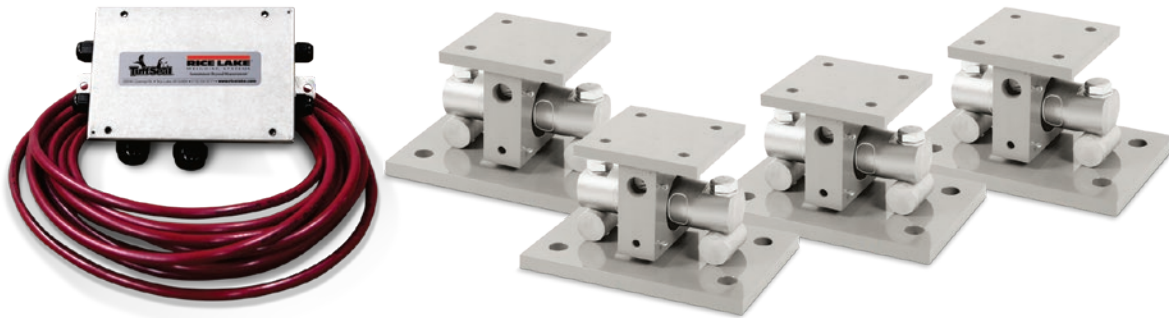
Load Rating (Per Module)	Part #	Price
Saddle 5 t-10 t	170879	\$132.00
Rolling cylinder 5 t-10 t	170882	\$111.00
Load adaptor 5 t	170880	\$117.00
Load adaptor 10 t	170881	\$165.00
Rubber boot 5 t-10 t	171211	\$37.00
Saddle 20 t-30 t	170884	\$127.00
Rolling cylinder 20 t-30 t	170885	\$58.00
Load adaptor 20 t-30 t	170883	\$111.00
Rubber boot 20 t-30 t	171212	\$32.00

NEW

WEIGH MODULES

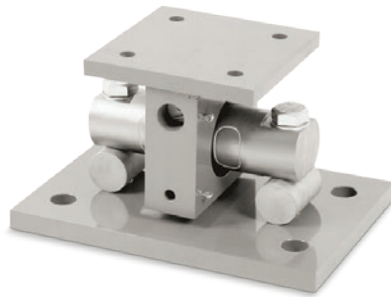
EZ Mount 1 with RL72020

Mild Steel Weigh Modules, Rice Lake Weighing Systems



Picture is a representation of actual product.

The EZ Mount 1 Series weigh modules utilize the double-ended beam design with an articulating top plate to provide superior accuracy in any loading condition. The double-ended beam design means there is less cumbersome hardware and each module has a lower profile than modules of different configurations. NTEP Certified and FM approved RL72020 Series load cells give you accuracy and dependability in many applications, including intrinsically safe and explosion proof areas.



Module with RL72020 double-ended shear beam load cell.

Complete Kit Includes

- One JB4SS NEMA Type 4X stainless steel signal trim junction box
- Three or four EZ Mount 1 mild steel compression mounts
- Three or four RL72020 double-ended shear beam load cells
- 25 ft of hostile environment EL147HE SURVIVOR® load cell cable

Standard Features

- Capacities (per module): 5,000-250,000 lb
- NTEP Certified load cells
- Unique sliding pin design compensates for thermal expansion/contraction
- Self-checking
- Easy load cell replacement
- Simplified design allows bolting directly to tank and floor
- Center-loaded double-ended shear beam design
- Low-profile design
- Painted mild steel construction

Optional Features

- Kits available with VPG® Revere 5103 load cell, capacities in 5,000-150,000 lb

Applications

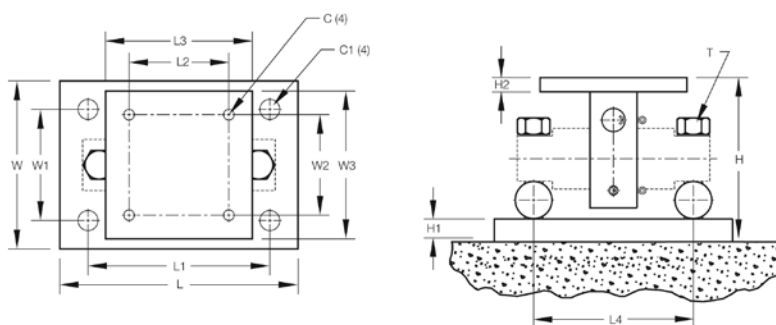
- Medium- to heavy-capacity tank and hopper weighing applications

Load Cell Certifications



EZ Mount 1 with RL72020

Mild Steel Weigh Modules, Rice Lake Weighing Systems



Dimensions

Rated Capacity	C	C1	H	H1	H2	L	L1	L2	L3	L4	T	W	W1	W2	W3
lb/in															
5,000-20,000	0.56	1.06	5.31	0.75	0.50	11.00	8.00	3.00	6.00	6.87	5/8-18 UNF	7.50	4.00	3.00	6.00
30,000-60,000	0.68	1.19	8.43	1.00	0.75	15.00	11.50	5.12	8.00	8.50	1-14 UNS	10.00	6.00	5.12	8.00
100,000	0.81	1.38	10.37	1.25	1.25	18.00	14.00	7.50	10.00	9.50	1-14 UNS	12.00	9.00	7.50	10.00
150,000	0.81	1.38	10.37	1.25	1.25	18.00	14.00	7.50	10.00	9.50	1-14 UNS	12.00	9.00	7.50	10.00
200,000-250,000	1.06	1.88	16.75	2.00	2.00	26.00	20.00	9.00	12.00	13.00	1 1/2-12 UNS	12.00	6.00	9.00	12.00

Order Information

Load Rating (Per Module)	Part #	Price
Single Module (Does NOT Include Load Cell)		
5,000 lb - 20,000 lb	17823	\$345.00
30,000 lb - 60,000 lb	17824	\$927.00
100,000 lb	17850	\$1,277.00
150,000 lb	29012	\$1,277.00
200,000 lb - 250,000 lb	26068	\$2,915.00
3-Module Kit		
5,000 lb	208881	\$3,265.00
10,000 lb	208882	\$3,265.00
20,000 lb	208883	\$3,265.00
30,000 lb	208884	\$5,210.00
40,000 lb	208885	\$5,210.00
50,000 lb	208886	\$5,210.00
60,000 lb	208887	\$5,210.00
100,000 lb	208888	\$8,432.00
150,000 lb	208889	\$8,432.00
4-Module Kit		
5,000 lb	208892	\$4,240.00
10,000 lb	208893	\$4,240.00
20,000 lb	208894	\$4,240.00
30,000 lb	208895	\$6,577.00
40,000 lb	208896	\$6,577.00
50,000 lb	208897	\$6,577.00
60,000 lb	208898	\$6,577.00
100,000 lb	208899	\$10,955.00
150,000 lb	208900	\$10,955.00

VPG Revere 5103 Order Information

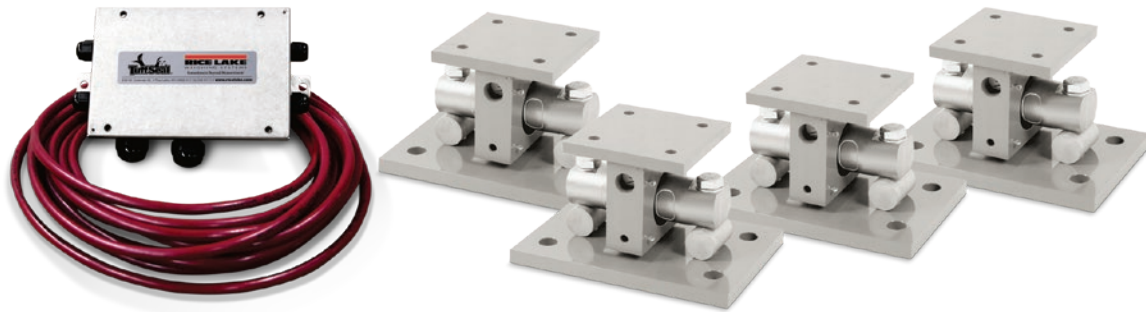
Load Rating (Per Module)	Part #	Price
3-Module Kit		
5,000 lb	18175	\$3,375.00
10,000 lb	18176	\$3,375.00
20,000 lb	18177	\$3,375.00
30,000 lb	32169	\$5,321.00
40,000 lb	32171	\$5,321.00
50,000 lb	18178	\$5,485.00
60,000 lb	18179	\$5,485.00
100,000 lb	18180	\$8,544.00
150,000 lb	18181	\$8,544.00
4-Module Kit		
5,000 lb	18182	\$4,351.00
10,000 lb	18183	\$4,351.00
20,000 lb	18184	\$4,351.00
30,000 lb	32170	\$6,731.00
40,000 lb	32172	\$6,731.00
50,000 lb	18185	\$6,911.00
60,000 lb	18186	\$6,911.00
100,000 lb	18187	\$11,130.00
150,000 lb	18188	\$11,130.00
Dummy Load Cells		
5,000 lb - 20,000 lb	33749	\$90.00
30,000 lb - 60,000 lb	74016	\$122.00
100,000 lb	94175	\$265.00
150,000 lb	158715	\$265.00
Grounding Kit		
5,000 lb-60,000 lb	126419	\$21.00

NEW

WEIGH MODULES

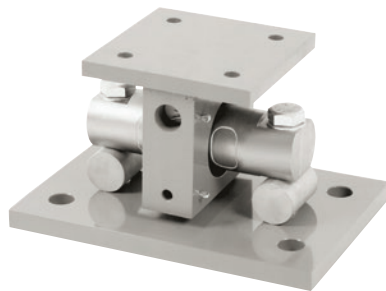
EZ Mount 1 SS with RL72020SS

Stainless Steel Weigh Modules, Rice Lake Weighing Systems



Picture is a representation of actual product.

The EZ Mount 1 Series weigh module utilizes the double-ended beam design with an articulating top plate to provide superior accuracy in any loading condition. The double-ended beam design means there is less cumbersome hardware and each module has a lower profile than modules of different configurations. NTEP certified and FM approved RL72020SS Series load cells give you accuracy and dependability in many applications, including intrinsically safe and explosion proof areas.



Module with RL72020SS double-ended shear beam load cell.

Complete Kit Includes

- One JB4SS NEMA Type 4X stainless steel signal trim junction box
- Three or four EZ Mount 1 stainless steel compression mounts
- Three or four RL72020SS stainless steel double-ended shear beam load cells
- 25 ft of hostile environment EL147HE SURVIVOR® load cell cable

Standard Features

- Capacities (per module): 5000-150,000 lb
- Unique sliding pin design compensates for thermal expansion/contraction
- NTEP Certified load cells (10 k - 100 k)
- Self-checking
- Easy load cell replacement
- Simplified design allows bolting directly to tank and floor
- Center-loaded double-ended shear beam design
- Low-profile design
- 304 stainless steel construction

Optional Features

- Kits available with VPG® Revere 9103 load cell, capacities in 5,000 lb-150,000 lb

Applications

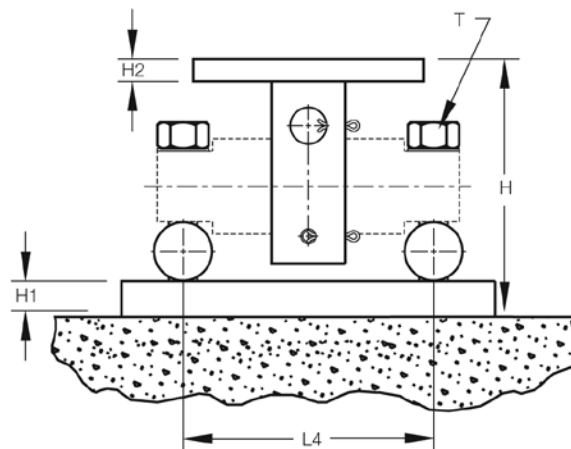
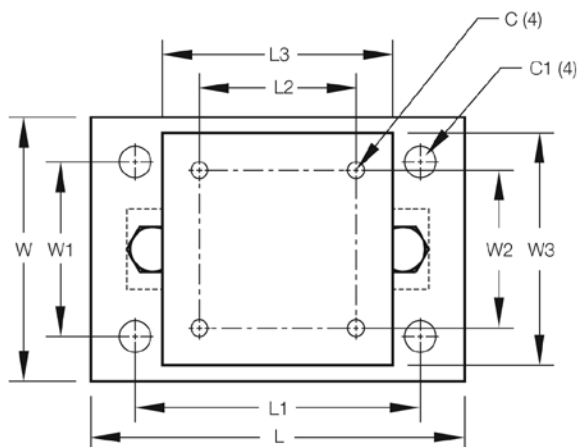
- Medium to heavy-capacity tank and hopper weighing applications

Load Cell Certifications



EZ Mount 1 SS with RL72020SS

Stainless Steel Weigh Modules, Rice Lake Weighing Systems



Dimensions

Rated Capacity	C	C1	H	H1	H2	L	L1	L2	L3	L4	T	W	W1	W2	W3
lb/in															
5,000-20,000	0.56	1.06	5.31	0.75	0.50	11.00	8.00	3.00	6.00	6.87	5/8-18 UNF	7.50	4.00	3.00	6.00
30,000-60,000	0.68	1.19	8.43	1.00	0.75	15.00	11.50	5.12	8.00	8.50	1-14 UNS	10.00	6.00	5.12	8.00
100,000	0.81	1.38	10.37	1.25	1.25	18.00	14.00	7.50	10.00	9.50	1-14 UNS	12.00	9.00	7.50	10.00
150,000	0.81	1.38	10.37	1.25	1.25	18.00	14.00	7.50	10.00	9.50	1-14 UNS	12.00	9.00	7.50	10.00

Order Information

Load Rating (Per Module)	Part #	Price
Single Module (Does NOT Include Load Cell)		
5,000 lb-20,000 lb	17943	\$845.00
30,000 lb-60,000 lb	17944	\$2,330.00
100,000 lb	17945	\$4,278.00
150,000 lb	29011	\$4,278.00
3-Module Kit		
5,000 lb*	208914	\$5,173.00
10,000 lb	208917	\$5,173.00
20,000 lb	208918	\$5,173.00
30,000 lb	208919	\$10,282.00
40,000 lb	208920	\$10,282.00
50,000 lb	208921	\$10,282.00
60,000 lb	208922	\$10,282.00
100,000 lb	208923	\$18,968.00
150,000 lb*	208924	\$18,968.00

* Non-NTEP Certified

Load Rating (Per Module)	Part #	Price
4-Module Kit		
5,000 lb*	208925	\$6,705.00
10,000 lb	208926	\$6,705.00
20,000 lb	208927	\$6,705.00
30,000 lb	208928	\$13,530.00
40,000 lb	208929	\$13,530.00
50,000 lb	208930	\$13,530.00
60,000 lb	208931	\$13,530.00
100,000 lb	208932	\$25,222.00
150,000 lb*	208933	\$25,222.00
Dummy Load Cells (Mild Steel)		
5,000 lb-20,000 lb	33749	\$90.00
30,000 lb-60,000 lb	74016	\$122.00
100,000 lb	94175	\$265.00
150,000 lb	158715	\$265.00
Grounding Kit		
5,000 lb-60,000 lb	126419	\$21.00

Includes ground strap and mounting hardware per mount

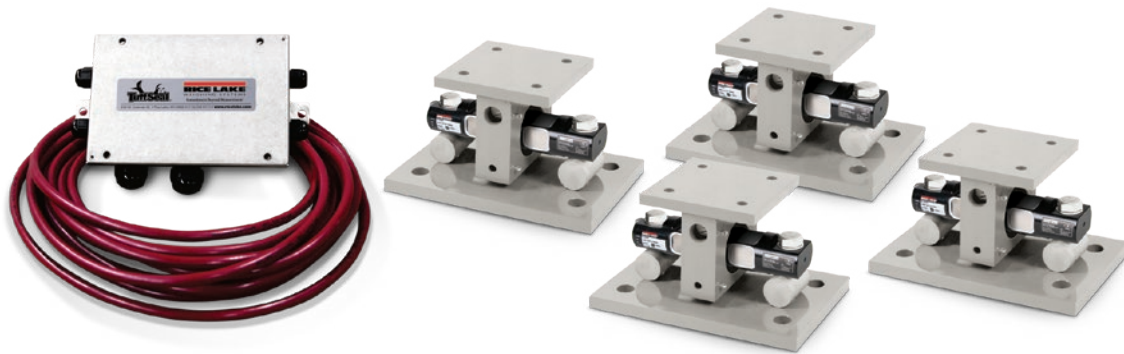
NEW

WEIGH MODULES

EZ Mount 1 with Painted RL72020P

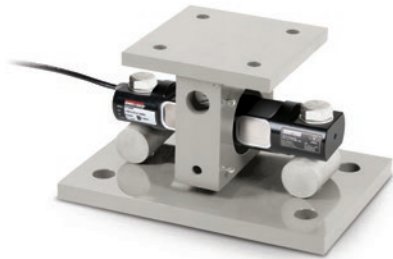
Rice Lake Weighing Systems

WEIGH MODULES



Picture is a representation of actual product.

The EZ Mount 1 Series weigh module utilizes the double-ended beam design with an articulating top plate to provide superior accuracy in any loading condition. The double-ended beam design means there is less cumbersome hardware and each module has a lower profile than modules of different configurations. NTEP certified and FM approved RL72020P painted load cells give you accuracy and dependability in fertilizer applications, including intrinsically safe and explosion proof areas.



Module with RL72020P painted double-ended shear beam load cell.

Complete Kit Includes

- One JB4SS NEMA Type 4X stainless steel signal trim junction box
- Three or four EZ Mount 1 stainless steel compression mounts
- Three or four RL72020P alloy painted double-ended shear beam load cells
- 25 ft of hostile environment EL147HE SURVIVOR® load cell cable

Standard Features

- Capacities (per module): 5,000-150,000 lb
- Unique sliding pin design compensates for thermal expansion/contraction
- NTEP Certified load cells (5-150 k)
- Self-checking
- Easy load cell replacement
- Simplified design allows bolting directly to tank and floor
- Center-loaded double-ended shear beam design
- Low-profile design
- 304 stainless steel construction (mount)

Applications

- Medium- to heavy-capacity tank and fertilizer hopper weighing applications

Load Cell Certifications

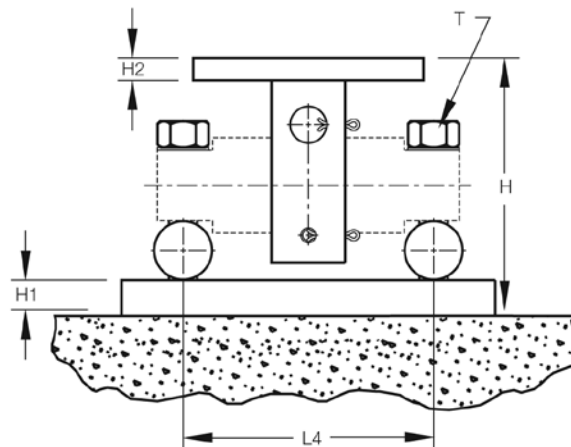
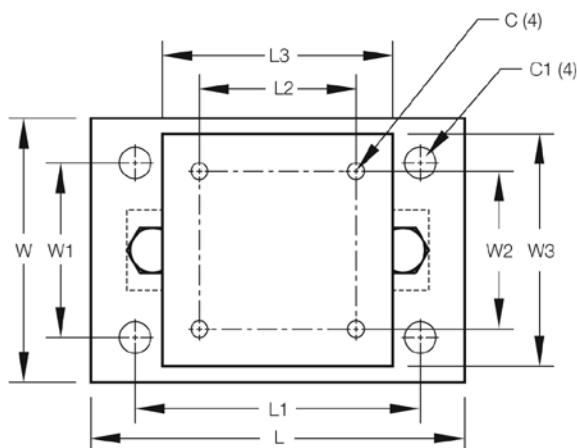


www.ricelake.com | Phone: 800-472-6703

RICE LAKE

EZ Mount 1 with Painted RL72020P

Rice Lake Weighing Systems



Dimensions

Rated Capacity	C	C1	H	H1	H2	L	L1	L2	L3	L4	T	W	W1	W2	W3
lb/in															
5,000-20,000	0.56	1.06	5.31	0.75	0.50	11.00	8.00	3.00	6.00	6.87	5/8-18 UNF	7.50	4.00	3.00	6.00
30,000-60,000	0.68	1.19	8.43	1.00	0.75	15.00	11.50	5.12	8.00	8.50	1-14 UNS	10.00	6.00	5.12	8.00
100,000	0.81	1.38	10.37	1.25	1.25	18.00	14.00	7.50	10.00	9.50	1-14 UNS	12.00	9.00	7.50	10.00
150,000	0.81	1.38	10.37	1.25	1.25	18.00	14.00	7.50	10.00	9.50	1-14 UNS	12.00	9.00	7.50	10.00

Order Information

Load Rating (Per Module)	Part #	Price
Single Module (Does NOT Include Load Cell)		
5,000 lb-20,000 lb	17943	\$845.00
30,000 lb-60,000 lb	17944	\$2,330.00
100,000 lb	17945	\$4,278.00
150,000 lb	29011	\$4,278.00
3-Module Kit		
5,000 lb*	208957	\$4,658.00
10,000 lb	208959	\$4,658.00
20,000 lb	208961	\$4,658.00
30,000 lb	208963	\$9,535.00
40,000 lb	208965	\$9,535.00
50,000 lb	208967	\$9,535.00
60,000 lb	208969	\$9,535.00
100,000 lb	208971	\$17,910.00
150,000 lb*	208973	\$17,910.00

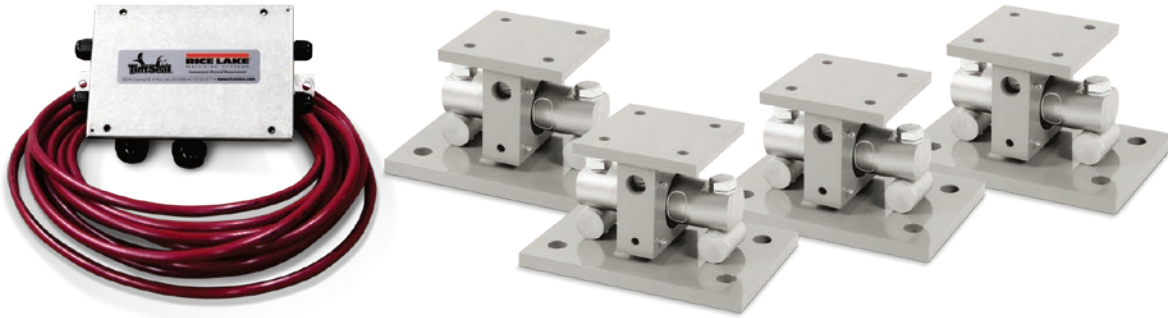
* Non-NTEP Certified

Load Rating (Per Module)	Part #	Price
4-Module Kit		
5,000 lb*	208958	\$6,228.00
10,000 lb	208960	\$6,228.00
20,000 lb	208962	\$6,228.00
30,000 lb	208964	\$12,715.00
40,000 lb	208966	\$12,715.00
50,000 lb	208968	\$12,715.00
60,000 lb	208970	\$12,715.00
100,000 lb	208972	\$23,845.00
150,000 lb*	208974	\$23,845.00
Dummy Load Cells (Mild Steel)		
5,000 lb-20,000 lb	33749	\$90.00
30,000 lb-60,000 lb	74016	\$122.00
100,000 lb	94175	\$265.00
150,000 lb	158715	\$265.00
Grounding Kit		
5,000 lb-60,000 lb	126419	\$21.00

Includes ground strap and mounting hardware per mount

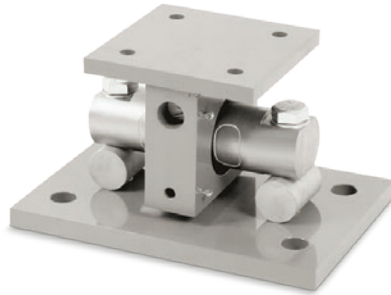
EZ Mount 1 with RL70000

Mild Steel Weigh Modules, Rice Lake Weighing Systems



Picture is a representation of actual product.

The EZ Mount 1 Series weigh modules utilize the double-ended beam design with an articulating top plate to provide superior accuracy in any loading condition. The double-ended beam design means there is less cumbersome hardware and each module has a lower profile than modules of different configurations. NTEP Certified and FM approved RL70000 Series load cells give you accuracy and dependability in many applications, including intrinsically safe and explosion proof areas.



Module with RL70000 double-ended shear beam load cell.

Complete Kit Includes

- One JB4SS NEMA Type 4X stainless steel signal trim junction box
- Three or four EZ Mount 1 mild steel compression mounts
- Three or four RL70000 double-ended shear beam load cells
- 25 ft of hostile environment EL147HE SURVIVOR® load cell cable

Standard Features

- Capacities (per module): 5,000-250,000 lb
- NTEP Certified load cells
- Unique sliding pin design compensates for thermal expansion/contraction
- Self-checking
- Easy load cell replacement
- Simplified design allows bolting directly to tank and floor
- Center-loaded double-ended shear beam design
- Low-profile design
- Painted mild steel construction

Optional Features

- Kits available with VPG® Revere 5103 load cell, capacities in 5,000-150,000 lb

Applications

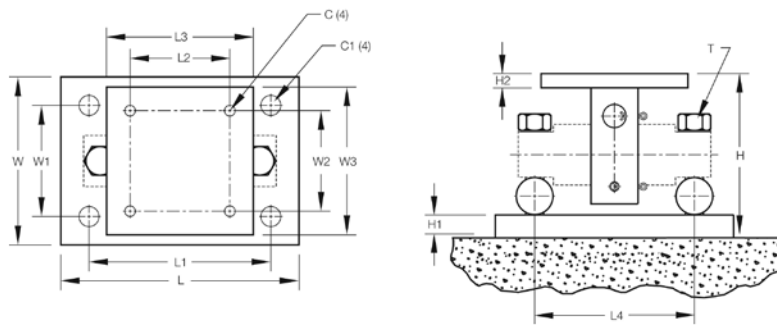
- Medium- to heavy-capacity tank and hopper weighing applications

Load Cell Certifications



EZ Mount 1 with RL70000

Mild Steel Weigh Modules, Rice Lake Weighing Systems



Dimensions

Rated Capacity	C	C1	H	H1	H2	L	L1	L2	L3	L4	T	W	W1	W2	W3
lb/in															
5,000-20,000	0.56	1.06	5.31	0.75	0.50	11.00	8.00	3.00	6.00	6.87	5/8-18 UNF	7.50	4.00	3.00	6.00
30,000-60,000	0.68	1.19	8.43	1.00	0.75	15.00	11.50	5.12	8.00	8.50	1-14 UNS	10.00	6.00	5.12	8.00
100,000	0.81	1.38	10.37	1.25	1.25	18.00	14.00	7.50	10.00	9.50	1-14 UNS	12.00	9.00	7.50	10.00
150,000	0.81	1.38	10.37	1.25	1.25	18.00	14.00	7.50	10.00	9.50	1-14 UNS	12.00	9.00	7.50	10.00
200,000-250,000	1.06	1.88	16.75	2.00	2.00	26.00	20.00	9.00	12.00	13.00	1 1/2-12 UNS	12.00	6.00	9.00	12.00

Order Information

Load Rating (Per Module)	Part #	Price
Single Module (Does NOT Include Load Cell)		
5,000 lb-20,000 lb	17823	\$345.00
30,000 lb-60,000 lb	17824	\$927.00
100,000 lb	17850	\$1,277.00
150,000 lb	29012	\$1,277.00
200,000 lb-250,000 lb	26068	\$2,915.00
3-Module Kit		
5,000 lb	18163	\$3,265.00
10,000 lb	18164	\$3,265.00
20,000 lb	18165	\$3,265.00
30,000 lb	32164	\$5,210.00
40,000 lb	32167	\$5,210.00
50,000 lb	18166	\$5,210.00
60,000 lb	18167	\$5,210.00
100,000 lb	18168	\$8,432.00
150,000 lb	43290	\$8,432.00
4-Module Kit		
5,000 lb	18169	\$4,240.00
10,000 lb	18170	\$4,240.00
20,000 lb	18171	\$4,240.00
30,000 lb	32165	\$6,577.00
40,000 lb	32166	\$6,577.00
50,000 lb	18172	\$6,577.00
60,000 lb	18173	\$6,577.00
100,000 lb	18174	\$10,955.00
150,000 lb	43291	\$10,955.00

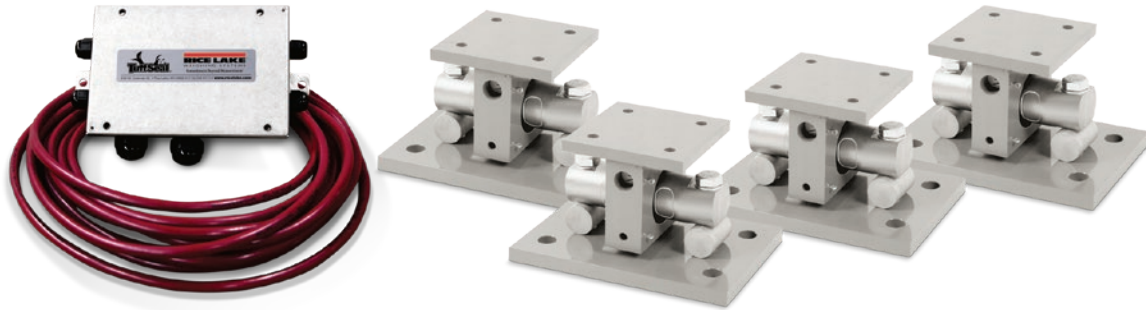
VPG Revere 5103 Order Information

Load Rating (Per Module)	Part #	Price
3-Module Kit		
5,000 lb	18175	\$3,375.00
10,000 lb	18176	\$3,375.00
20,000 lb	18177	\$3,375.00
30,000 lb	32169	\$5,321.00
40,000 lb	32171	\$5,321.00
50,000 lb	18178	\$5,485.00
60,000 lb	18179	\$5,485.00
100,000 lb	18180	\$8,544.00
150,000 lb	18181	\$8,544.00
4-Module Kit		
5,000 lb	18182	\$4,351.00
10,000 lb	18183	\$4,351.00
20,000 lb	18184	\$4,351.00
30,000 lb	32170	\$6,731.00
40,000 lb	32172	\$6,731.00
50,000 lb	18185	\$6,911.00
60,000 lb	18186	\$6,911.00
100,000 lb	18187	\$11,130.00
150,000 lb	18188	\$11,130.00
Dummy Load Cells		
5,000 lb-20,000 lb	33749	\$90.00
30,000 lb-60,000 lb	74016	\$122.00
100,000 lb	94175	\$265.00
150,000 lb	158715	\$265.00
Grounding Kit		
5,000 lb-60,000 lb	126419	\$21.00

Includes ground strap and mounting hardware per mount

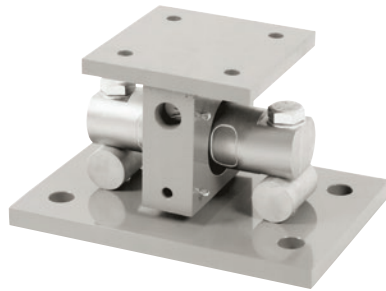
EZ Mount 1 with RL70000SS

Stainless Steel Weigh Modules, Rice Lake Weighing Systems



Picture is a representation of actual product.

The EZ Mount 1 Series weigh module utilizes the double-ended beam design with an articulating top plate to provide superior accuracy in any loading condition. The double-ended beam design means there is less cumbersome hardware and each module has a lower profile than modules of different configurations. NTEP certified and FM approved RL70000SS Series load cells give you accuracy and dependability in many applications, including intrinsically safe and explosion proof areas.



Module with RL70000SS double-ended shear beam load cell.

Complete Kit Includes

- One JB4SS NEMA Type 4X stainless steel signal trim junction box
- Three or four EZ Mount 1 stainless steel compression mounts
- Three or four RL70000SS stainless steel double-ended shear beam load cells
- 25 ft of hostile environment EL147HE SURVIVOR® load cell cable

Standard Features

- Capacities (per module): 5,000-150,000 lb
- Unique sliding pin design compensates for thermal expansion/contraction
- NTEP Certified load cells (10-100 k)
- Self-checking
- Easy load cell replacement
- Simplified design allows bolting directly to tank and floor
- Center-loaded double-ended shear beam design
- Low-profile design
- 304 stainless steel construction

Optional Features

- Kits available with VPG® Revere 9103 load cell, capacities in 5,000-150,000 lb

Applications

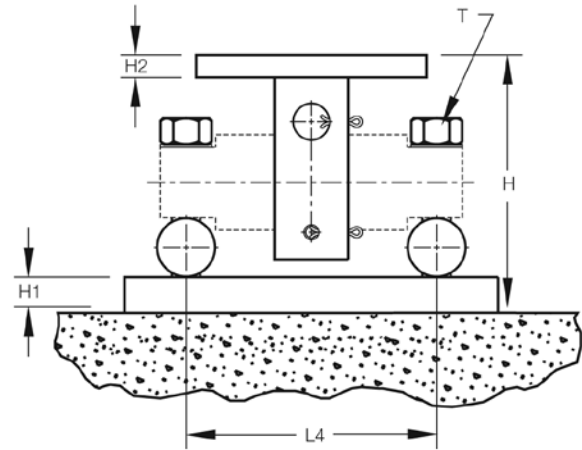
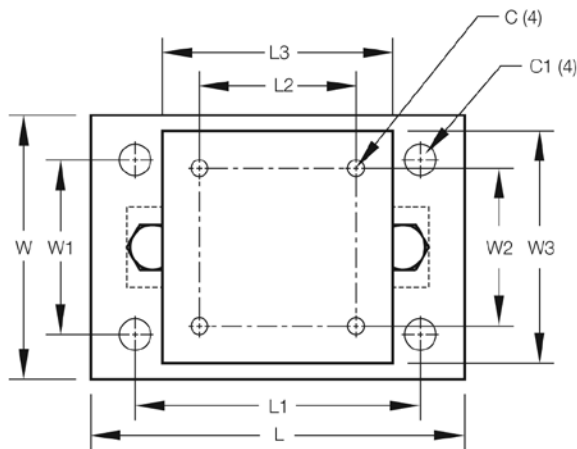
- Medium to heavy-capacity tank and hopper weighing applications

Load Cell Certifications



EZ Mount 1 with RL70000SS

Stainless Steel Weigh Modules, Rice Lake Weighing Systems



Dimensions

Rated Capacity lb/in	C	C1	H	H1	H2	L	L1	L2	L3	L4	T	W	W1	W2	W3
5,000-20,000	0.56	1.06	5.31	0.75	0.50	11.00	8.00	3.00	6.00	6.87	5/8-18 UNF	7.50	4.00	3.00	6.00
30,000-60,000	0.68	1.19	8.43	1.00	0.75	15.00	11.50	5.12	8.00	8.50	1-14 UNS	10.00	6.00	5.12	8.00
100,000	0.81	1.38	10.37	1.25	1.25	18.00	14.00	7.50	10.00	9.50	1-14 UNS	12.00	9.00	7.50	10.00
150,000	0.81	1.38	10.37	1.25	1.25	18.00	14.00	7.50	10.00	9.50	1-14 UNS	12.00	9.00	7.50	10.00

Order Information

Load Rating (Per Module)	Part #	Price
Single Module (Does NOT Include Load Cell)		
5,000 lb-20,000 lb	17943	\$845.00
30,000 lb-60,000 lb	17944	\$2,330.00
100,000 lb	17945	\$4,278.00
150,000 lb	29011	\$4,278.00
3-Module Kit		
5,000 lb*	36195	\$4,945.00
10,000 lb	36196	\$4,945.00
20,000 lb	36197	\$4,945.00
30,000 lb	36198	\$9,582.00
40,000 lb	36199	\$9,582.00
50,000 lb	36200	\$9,695.00
60,000 lb	36201	\$9,695.00
100,000 lb	36202	\$17,908.00
150,000 lb*	43288	\$17,908.00

* Non-NTEP Certified

Load Rating (Per Module)	Part #	Price
4-Module Kit		
5,000 lb*	36203	\$6,625.00
10,000 lb	36204	\$6,625.00
20,000 lb	36205	\$6,625.00
30,000 lb	36206	\$13,010.00
40,000 lb	36207	\$13,010.00
50,000 lb	36208	\$13,317.00
60,000 lb	36209	\$13,317.00
100,000 lb	36210	\$25,222.00
150,000 lb*	43289	\$25,222.00
Dummy Load Cells (Mild Steel)		
5,000 lb-20,000 lb	33749	\$90.00
30,000 lb-60,000 lb	74016	\$122.00
100,000 lb	94175	\$265.00
150,000 lb	158715	\$265.00
Grounding Kit		
5,000 lb-60,000 lb	126419	\$21.00

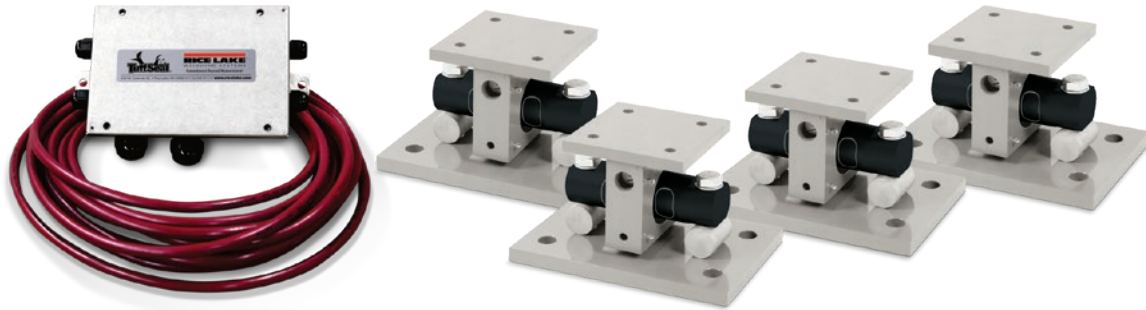
Includes ground strap and mounting hardware per mount

NEW

WEIGH MODULES

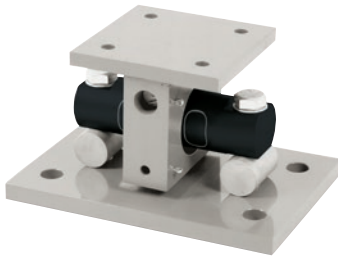
EZ Mount 1 with Painted RL70000

Rice Lake Weighing Systems



Available in configurations with three or four mounting assemblies.
Picture is a representation of actual product.

The EZ Mount 1 Series weigh module utilizes the double-ended beam design with an articulating top plate to provide superior accuracy in any loading condition. The double-ended beam design means there is less cumbersome hardware and each module has a lower profile than modules of different configurations. FM approved RL70000 painted load cells give you accuracy and dependability in fertilizer applications, including intrinsically safe and explosion proof areas.



Module with RL70000 painted double-ended shear beam load cell.

Complete Kit Includes

- One JB4SS NEMA Type 4X stainless steel signal trim junction box
- Three or four EZ Mount 1 stainless steel compression mounts
- Three or four RL70000 alloy painted double-ended shear beam load cells
- 25 ft of hostile environment EL147HE SURVIVOR® load cell cable

Standard Features

- Capacities (per module): 5,000-150,000 lb
- NTEP Certified load cells (5-150 k)
- Unique sliding pin design compensates for thermal expansion/contraction
- Self-checking
- Easy load cell replacement
- Simplified design allows bolting directly to tank and floor
- Center-loaded double-ended shear beam design
- Low-profile design
- 304 stainless steel construction (mount)

Applications

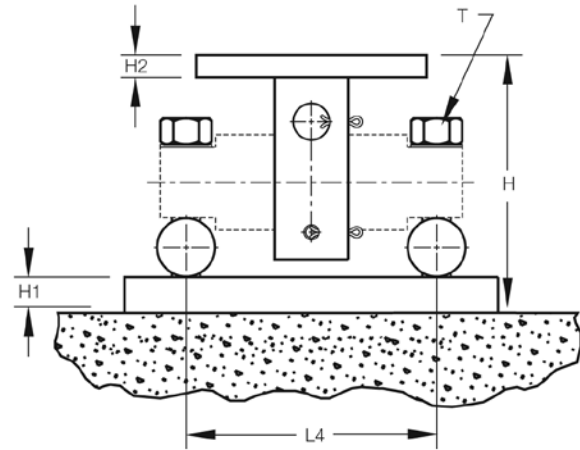
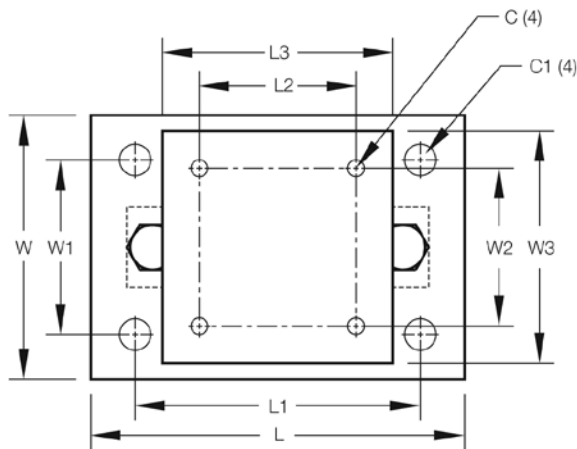
- Medium-to heavy-capacity tank and fertilizer hopper weighing applications

Load Cell Certifications



EZ Mount 1 with Painted RL70000

Rice Lake Weighing Systems



Dimensions

Rated Capacity lb/in	C	C1	H	H1	H2	L	L1	L2	L3	L4	T	W	W1	W2	W3
5,000-20,000	0.56	1.06	5.31	0.75	0.50	11.00	8.00	3.00	6.00	6.87	5/8-18 UNF	7.50	4.00	3.00	6.00
30,000-60,000	0.68	1.19	8.43	1.00	0.75	15.00	11.50	5.12	8.00	8.50	1-14 UNS	10.00	6.00	5.12	8.00
100,000	0.81	1.38	10.37	1.25	1.25	18.00	14.00	7.50	10.00	9.50	1-14 UNS	12.00	9.00	7.50	10.00
150,000	0.81	1.38	10.37	1.25	1.25	18.00	14.00	7.50	10.00	9.50	1-14 UNS	12.00	9.00	7.50	10.00

Order Information

Load Rating (Per Module)	Part #	Price
Single Module (Does NOT Include Load Cell)		
5,000 lb-20,000 lb	17943	\$845.00
30,000 lb-60,000 lb	17944	\$2,330.00
100,000 lb	17945	\$4,278.00
150,000 lb	29011	\$4,278.00
3-Module Kit		
5,000 lb*	207819	\$4,658.00
10,000 lb	207820	\$4,658.00
20,000 lb	207821	\$4,658.00
30,000 lb	207822	\$9,535.00
40,000 lb	207823	\$9,535.00
50,000 lb	207824	\$9,535.00
60,000 lb	207825	\$9,535.00
100,000 lb	207826	\$17,910.00
150,000 lb*	207827	\$17,910.00

* Non-NTEP Certified

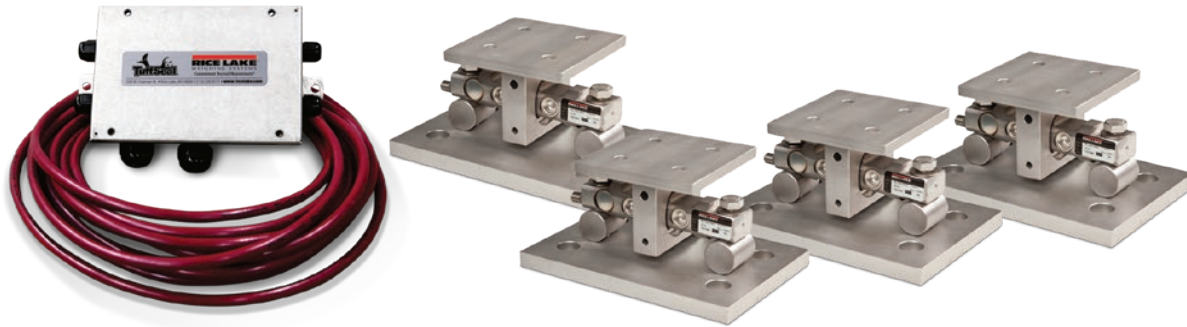
Load Rating (Per Module)	Part #	Price
4-Module Kit		
5,000 lb*	207829	\$6,228.00
10,000 lb	207830	\$6,228.00
20,000 lb	207831	\$6,228.00
30,000 lb	207832	\$12,715.00
40,000 lb	207833	\$12,715.00
50,000 lb	207834	\$12,715.00
60,000 lb	207835	\$12,715.00
100,000 lb	207836	\$23,845.00
150,000 lb*	207837	\$23,845.00
Dummy Load Cells (Mild Steel)		
5,000 lb-20,000 lb	33749	\$90.00
30,000 lb-60,000 lb	74016	\$122.00
100,000 lb	94175	\$265.00
150,000 lb	158715	\$265.00
Grounding Kit		
5,000 lb-60,000 lb	126419	\$21.00

Includes ground strap and mounting hardware per mount

WEIGH MODULES

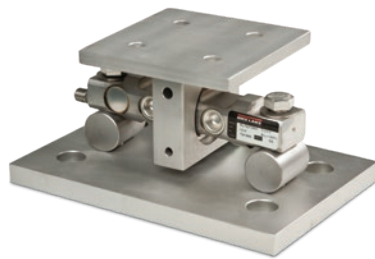
EZ Mount 1 HE

Stainless Steel Weigh Modules, Hermetically Sealed, Rice Lake Weighing Systems



Picture is a representation of actual product.

The EZ Mount 1 HE Series weigh modules utilize the double-ended beam design with an articulating top plate to provide superior accuracy in any loading condition. The double-ended beam design means there is less cumbersome hardware and each module has a lower profile than modules of different configurations. The RL72019SS Series load cells give you accuracy and dependability in any environment. Their stainless steel, hermetically sealed design also make them the ideal solution in harsh environments where moisture is present.



Module with RL72019SS double-ended shear beam load cell.

Complete Kit Includes

- One JB4SS NEMA Type 4X stainless steel signal trim junction box
- Three or four EZ Mount 1 stainless steel compression mounts
- Three or four RL72019SS hermetically sealed stainless steel double-ended shear beam load cells
- 25 ft of hostile environment EL147HE SURVIVOR® load cell cable

Standard Features

- Capacities (per module): 5,000-60,000 lb
- Unique sliding pin design compensates for thermal expansion/contraction
- Self-checking
- Easy load cell replacement
- Simplified design allows bolting directly to tank and floor
- Center-loaded, double-ended shear beam design
- Low-profile design
- 304 stainless steel construction

Applications

- Medium- to heavy-capacity tank and hopper weighing applications

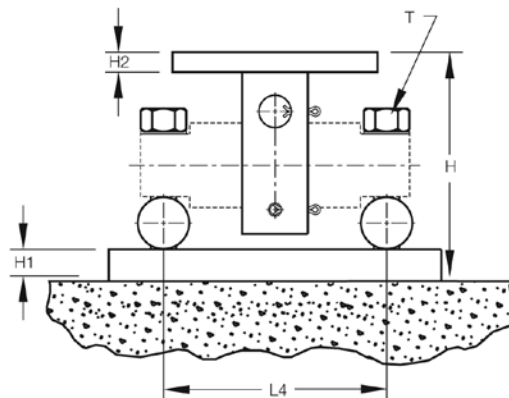
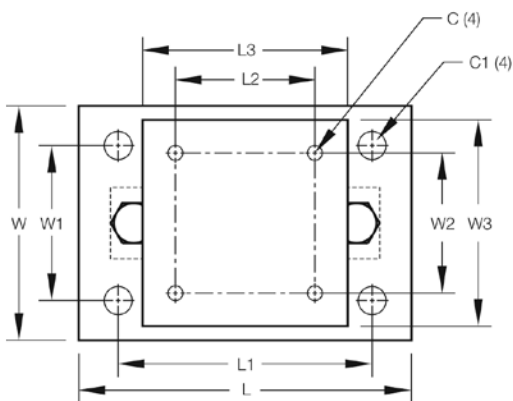
Load Cell Certifications



pending

EZ Mount 1 HE

Stainless Steel Weigh Modules, Hermetically Sealed, Rice Lake Weighing Systems



Dimensions

Rated Capacity	C	C1	H	H1	H2	L	L1	L2	L3	L4	T	W	W1	W2	W3
lb/in															
5,000-20,000	0.56	1.06	5.31	0.75	0.50	11.00	8.00	3.00	6.00	6.87	5/8-18 UNF	7.50	4.00	3.00	6.00
30,000-60,000	0.68	1.19	8.43	1.00	0.75	15.00	11.50	5.12	8.00	8.50	1-14 UNS	10.00	6.00	5.12	8.00

NOTES: Mounting bolts (T) may project on lower side of base plate. Foundation plate not included

Order Information

Load Rating (Per Module)	Part #	Price
3-Module Kit		
5,000 lb	46695	\$6,115.00
10,000 lb	46696	\$6,115.00
20,000 lb	46697	\$6,115.00
30,000 lb	46698	\$12,015.00
40,000 lb	46699	\$12,015.00
50,000 lb	46700	\$12,015.00
60,000 lb	46701	\$12,015.00
4-Module Kit		
5,000 lb	46702	\$8,230.00
10,000 lb	46703	\$8,230.00
20,000 lb	46704	\$8,230.00
30,000 lb	46705	\$15,695.00
40,000 lb	46706	\$15,695.00
50,000 lb	46707	\$15,695.00
60,000 lb	46708	\$15,695.00
Dummy Load Cells (Mild Steel)		
5,000 lb-20,000 lb	33749	\$90.00
30,000 lb-60,000 lb	74016	\$122.00
Grounding Kit		
5,000 lb-60,000 lb	126419	\$21.00

Includes ground strap and mounting hardware

Shims

	Part #	Price
5,000 lb-20,000 lb, Stainless Steel		
0.0625 in	150886	\$8.50
0.125 in	150888	\$12.25
0.250 in	150889	\$26.00
30,000 lb-60,000 lb, Stainless Steel		
0.0625 in	150890	\$15.00
0.125 in	150891	\$22.00
0.250 in	150892	\$59.00
100,000 lb-150,000 lb, Stainless Steel		
0.0625 in	150893	\$22.00
0.125 in	150894	\$36.00
0.250 in	150896	\$93.00
5,000 lb-20,000 lb, Mild Steel		
0.0625 in	150874	\$3.00
0.125 in	150876	\$4.25
0.250 in	150877	\$4.50
30,000 lb-60,000 lb, Mild Steel		
0.0625 in	150878	\$4.25
0.125 in	150880	\$7.00
0.250 in	150881	\$7.25
100,000 lb-150,000 lb, Mild Steel		
0.0625 in	150882	\$6.25
0.125 in	150884	\$10.25
0.250 in	150885	\$11.00

WEIGH MODULES

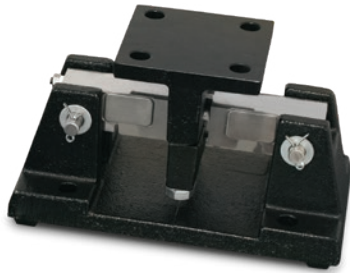
RL1600 Series

Cast Iron Weigh Modules

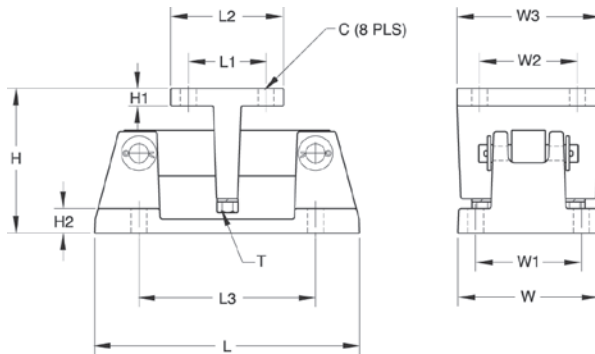


Picture is a representation of actual product.

The RL1600 Series mounting module kit utilizes several Rice Lake Weighing Systems components to provide an unmatched level of performance in tank and hopper weighing applications. The RL1600 Series kit is ideally suited for indoor and outdoor process control operations in the medium- to high-capacity ranges. Each module incorporates self-checking capabilities for thermal expansion and contraction.



Cast iron module with RL75016 double-ended beam load cell.



Dimensions

Rated Capacity	C	H	H1	H2	L	L1	L2	L3	T	W	W1	W2	W3
lb/in													
1,000-5,000	0.56	5.00	0.50	0.50	9.31	2.75	4.00	6.25	1/2-13 UNC	5.00	3.75	2.75	4.00
10,000-25,000	0.78	7.89	0.75	0.75	12.00	6.00	8.00	7.50	3/4-10 UNC	8.00	6.00	6.00	8.00

Complete Kit Includes

- One JB4SS NEMA Type 4X stainless steel signal trim junction box
- Three or four RL1600 cast iron compression mounts
- Three or four RL75016 double-ended shear beam load cells
- 25 ft of hostile environment EL147HE SURVIVOR® load cell cable

Standard Features

- Capacities (per module): 1,000-25,000 lb
- Cast iron construction
- Self-checking easy-to-use design allows module to be bolted directly to tank leg without requiring additional mounting plates or load buttons
- Environmentally protected load cells
- Double-ended beam design, center loaded

Optional Features

- Kits available with VPG® Sensortronics 65016 load cells, capacities (per module): 1,000-25,000 lb

Applications

- Medium- to heavy-capacity tanks, bins and hoppers
- Bulk material management

Order Information

Load Rating (Per Module)	Part #	Price
Single Module (Does NOT Include Load Cell)		
1,000 lb-5,000 lb	17964	\$175.00
10,000 lb-25,000 lb	17965	\$340.00
3-Module Kit		
1,000 lb	25663	\$2,258.00
1,500 lb	25664	\$2,258.00
2,000 lb	25665	\$2,258.00
2,500 lb	25666	\$2,258.00
3,000 lb	25667	\$2,258.00
5,000 lb	25668	\$2,258.00
10,000 lb	25669	\$2,952.00
15,000 lb	25671	\$2,952.00
20,000 lb	25672	\$2,952.00
25,000 lb	25674	\$2,952.00
4-Module Kit		
1,000 lb	25675	\$2,888.00
1,500 lb	25676	\$2,888.00
2,000 lb	25677	\$2,888.00
2,500 lb	25678	\$2,888.00
3,000 lb	25679	\$2,888.00
5,000 lb	25680	\$2,888.00
10,000 lb	25681	\$3,810.00
15,000 lb	25682	\$3,810.00
20,000 lb	25683	\$3,810.00
25,000 lb	25684	\$3,810.00

Load Cell Upgrade

RL75016SS Stainless Steel Load Cells
Three mount kits, 1,000 lb to 25,000 lb \$75.00 added to list price
Four mount kits, 1,000 lb to 25,000 lb \$100.00 added to list price
RL75016WHE Stainless Steel Hermetic Load Cells
Three mount kits 1,000 lb to 5,000 lb \$390.00, 10 k-25 k \$435.00 added to list price
Four mount kits 1,000 lb to 5,000 lb \$520.00, 10 k-25 k \$580.00 added to list price

Contact factory for a 50,000 lb to 75,000 lb upgrade

VPG Sensortronics 65016 Order Information

Load Rating (Per Module)	Part #	Price
3-Module Kit		
1,000 lb	25685	\$2,655.00
1,500 lb	25686	\$2,655.00
2,500 lb	25688	\$2,655.00
5,000 lb	25690	\$2,655.00
10,000 lb	25691	\$3,350.00
15,000 lb	25692	\$3,350.00
20,000 lb	25693	\$3,350.00
25,000 lb	25694	\$3,350.00
4-Module Kit		
1,000 lb	25695	\$3,445.00
1,500 lb	25696	\$3,445.00
2,500 lb	25698	\$3,445.00
5,000 lb	25700	\$3,445.00
10,000 lb	25701	\$4,399.00
15,000 lb	25702	\$4,399.00
20,000 lb	25703	\$4,399.00
25,000 lb	25704	\$4,399.00
Dummy Load Cells		
1,000 lb-5,000 lb	18236	\$26.00
10,000 lb-25,000 lb	18237	\$42.00

Shims, Mild Steel

	Part #	Price
1,000 lb-5,000 lb		
0.0625 in	150844	\$2.00
0.125 in	150845	\$3.00
0.250 in	150846	\$3.00
10,000 lb-25,000 lb		
0.0625 in	150847	\$5.00
0.125 in	150848	\$7.50
0.250 in	150849	\$8.00

RL1600 Series

Mild Steel Weigh Modules

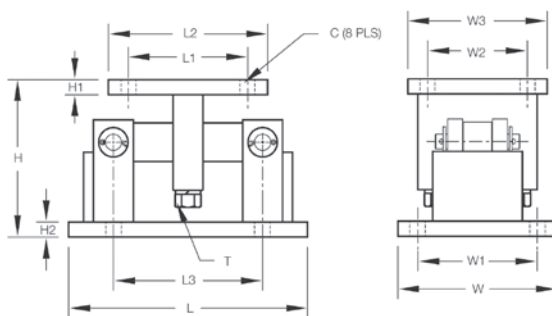


Picture is a representation of actual product.

The RL1600 Series mounting module kit utilizes several Rice Lake Weighing Systems components to provide an unmatched level of performance in tank and hopper weighing applications. The RL1600 Series kit is ideally suited for indoor and outdoor process control operations in the medium- to high-capacity ranges. Each module incorporates self-checking capabilities for thermal expansion and contraction.



Mild steel module with RL75016 double-ended beam load cell.



Dimensions

Rated Capacity	C	H	H1	H2	L	L1	L2	L3	T	W	W1	W2	W3
1,000-5,000	0.56	5.00	0.50	0.50	9.25	2.75	4.00	6.25	1/2-13 UNC	5.00	3.75	2.75	4.00
10,000-25,000	0.78	7.87	0.75	0.75	12.00	6.00	8.00	7.50	3/4-10 UNC	8.00	6.00	6.00	8.00
50,000-75,000	0.78	9.25	1.00	1.00	16.25	6.50	9.00	11.50	1 1/4-7 UNC	12.00	9.50	6.50	9.00

Complete Kit Includes

- One JB4SS NEMA Type 4X stainless steel signal trim junction box
- Three or four RL1600 mild steel compression mounts
- Three or four RL75016 double-ended shear beam load cells
- 25 ft of hostile environment EL147HE SURVIVOR® load cell cable

Standard Features

- Capacities (per module): 1,000-75,000 lb
- Self-checking, easy-to-use design allows module to be bolted directly to tank leg without requiring additional mounting plates or load buttons
- Environmentally protected load cells
- Double-ended shear beam design, center loaded
- Painted mild steel construction

Optional Features

- Kits available with VPG® Sensortronics 65016 load cells, capacities (per module): 1,000 -75,000 lb

Applications

- Medium- to heavy-capacity tanks, bins and hoppers
- Bulk material management

Load Cell Certifications



WEIGH MODULES
RL1600 Series
 Mild Steel Weigh Modules

Order Information

Load Rating (Per Module)	Part #	Price
Single Module (Does NOT Include Load Cell)		
1,000 lb-5,000 lb	17812	\$175.00
10,000 -25,000 lb	17814	\$340.00
50,000 lb	17816	\$1,140.00
75,000 lb	25346	\$1,140.00
3-Module Kit		
1,000 lb	18117	\$2,258.00
1,500 lb	18118	\$2,258.00
2,000 lb	18119	\$2,258.00
2,500 lb	18120	\$2,258.00
3,000 lb	18121	\$2,258.00
5,000 lb	18122	\$2,258.00
10,000 lb	18123	\$2,952.00
15,000 lb	18124	\$2,952.00
20,000 lb	18125	\$2,952.00
25,000 lb	18126	\$2,952.00
50,000 lb	18127	\$6,138.00
75,000 lb	25348	\$6,138.00
4-Module Kit		
1,000 lb	18129	\$2,888.00
1,500 lb	18130	\$2,888.00
2,000 lb	18131	\$2,888.00
2,500 lb	18132	\$2,888.00
3,000 lb	18133	\$2,888.00
5,000 lb	18134	\$2,888.00
10,000 lb	18135	\$3,810.00
15,000 lb	18136	\$3,810.00
20,000 lb	18137	\$2,888.00
25,000 lb	18138	\$3,810.00
50,000 lb	18139	\$8,199.00
75,000 lb	25349	\$8,199.00

VPG Sensortronics 65016 Order Information

Load Rating (Per Module)	Part #	Price
3-Module Kit		
1,000 lb	18189	\$2,655.00
1,500 lb	18190	\$2,655.00
2,500 lb	18192	\$2,655.00
5,000 lb	18194	\$2,655.00
10,000 lb	18195	\$3,350.00
15,000 lb	18196	\$3,350.00
20,000 lb	18197	\$3,350.00
25,000 lb	18198	\$3,350.00
50,000 lb	18199	\$6,633.00
75,000 lb	25350	\$6,633.00
4-Module Kit		
1,000 lb	18201	\$3,445.00
1,500 lb	18202	\$3,445.00
2,500 lb	18204	\$3,445.00
5,000 lb	18206	\$3,445.00
10,000 lb	18207	\$4,399.00
15,000 lb	18208	\$4,399.00
20,000 lb	18209	\$4,399.00
25,000 lb	18210	\$4,399.00
50,000 lb	18211	\$8,692.00
75,000 lb	25351	\$8,692.00
Dummy Load Cells		
1,000 lb-5,000 lb	18236	\$26.00
10,000 lb-25,000 lb	18237	\$42.00
50,000 lb	18238	\$56.00

Shims, Mild Steel

	Part #	Price
1,000 lb-5,000 lb		
0.0625 in	150844	\$2.00
0.125 in	150845	\$3.00
0.250 in	150846	\$3.00
10,000 lb-25,000 lb		
0.0625 in	150847	\$5.00
0.125 in	150848	\$7.50
0.250 in	150849	\$8.00
50,000 lb-75,000 lb		
0.0625 in	150850	\$7.00
0.125 in	150851	\$9.00
0.250 in	150866	\$7.50

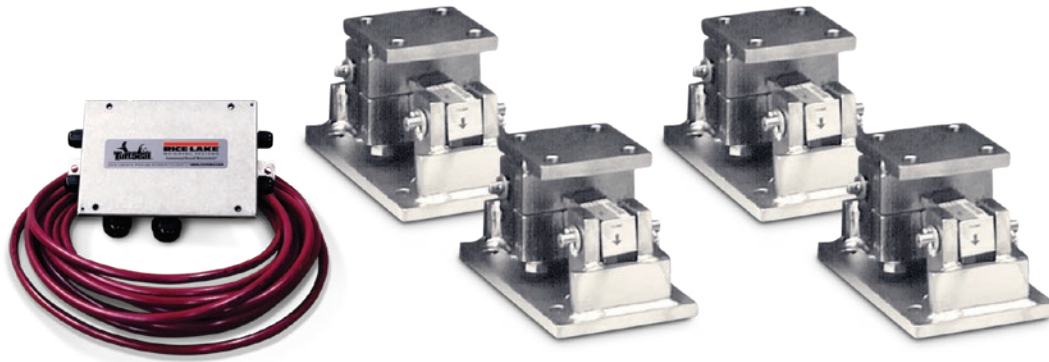
Load Cell Upgrade

RL75016SS Stainless Steel Load Cells	
Three mount kits, 1,000 lb-25,000 lb	\$75.00 added to list price
Four mount kits, 1,000 lb 25,000 lb	\$100.00 added to list price
RL75016WHE Stainless Steel Hermetic Load Cells	
Three mount kits 1,000 lb-5,000 lb	\$390.00, 10,000 lb-25,000 lb \$435.00 added to list price
Four mount kits 1,000 lb-5,000 lb	\$520.00, 10,000 lb-25,000 lb \$580.00 added to list price

Contact factory for a 50,000 lb to 75,000 lb adder for stainless only

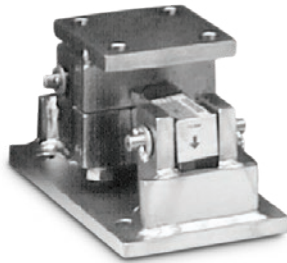
RL1600 Series SS

Stainless Steel Weigh Modules

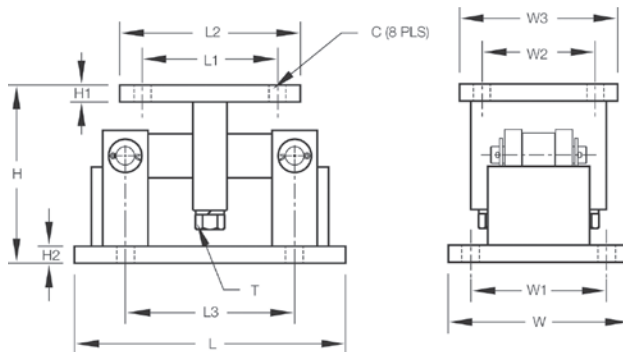


Picture is a representation of actual product.

The RL1600 Series mounting module kit utilizes several Rice Lake Weighing Systems components to provide an unmatched level of performance in tank and hopper weighing applications. The RL1600 Series kit is ideally suited for indoor and outdoor process control operations in the medium- to high-capacity ranges. Each module incorporates self-checking capabilities for thermal expansion and contraction.



Fabricated stainless steel module with RL75016SS double-ended beam load cell.



Dimensions

Rated Capacity	C	H	H1	H2	L	L1	L2	L3	T	W	W1	W2	W3
lb/in													
1,000-5,000	0.56	5.00	0.50	0.50	9.25	2.75	4.00	6.25	1/2-13 UNC	5.00	3.75	2.75	4.00
10,000-25,000	0.78	7.87	0.75	0.75	12.00	6.00	8.00	7.50	3/4-10 UNC	8.00	6.00	6.00	8.00
50,000-75,000	0.78	9.25	1.00	1.00	16.25	6.50	9.00	11.50	1 1/4-7 UNC	12.00	9.50	6.50	9.00

Complete Kit Includes

- One JB4SS NEMA Type 4X stainless steel signal trim junction box
- Three or four RL1600 stainless steel compression mounts
- Three or four RL75016 SS stainless steel double-ended shear beam load cells
- 25 ft of hostile environment EL147HE SURVIVOR® load cell cable

Standard Features

- Capacities (per module): 1,000-75,000 lb
- 304 stainless steel construction
- Self-checking, easy-to-use design allows module to be bolted directly to tank leg without requiring additional mounting plates or load buttons
- Environmentally protected load cells
- Double-ended shear beam design, center loaded

Optional Features

- Kits available with VPG® Sensortronics 65016W SS load cells

Applications

- Medium- to heavy-capacity tanks, bins and hoppers
- Bulk material management

Load Cell Certifications



WEIGH MODULES

RL1600 Series SS

Stainless Steel Weigh Modules

Order Information

Load Rating (Per Module)	Part #	Price
Single Module (Does NOT Include Load Cell)		
1,000 lb-5,000 lb	17813	\$657.00
10,000 lb-25,000 lb	17815	\$1,283.00
50,000 lb	17842	\$3,032.00
75,000 lb	25347	\$3,032.00
3-Module Kit		
1,000 lb	18141	\$3,736.00
1,500 lb	18142	\$3,736.00
2,000 lb	18143	\$3,736.00
2,500 lb	18144	\$3,736.00
5,000 lb	18145	\$3,736.00
10,000 lb	18146	\$5,645.00
15,000 lb	18147	\$5,645.00
20,000 lb	18148	\$5,645.00
25,000 lb	18149	\$5,645.00
50,000 lb	18150	\$12,800.00
75,000 lb	25352	\$12,800.00
4-Module Kit		
1,000 lb	18152	\$4,876.00
1,500 lb	18153	\$4,876.00
2,000 lb	18154	\$4,876.00
2,500 lb	18155	\$4,876.00
5,000 lb	18156	\$4,876.00
10,000 lb	18157	\$7,711.00
15,000 lb	18158	\$7,711.00
20,000 lb	18159	\$7,711.00
25,000 lb	18160	\$7,711.00
50,000 lb	18161	\$17,283.00
75,000 lb	25353	\$17,283.00

VPG Sensortronics 65016W Order Information

Load Rating (Per Module)	Part #	Price
3-Module Kit		
1,000 lb	18213	\$4,007.00
1,500 lb	18214	\$4,007.00
2,500 lb	18216	\$4,007.00
5,000 lb	18217	\$4,007.00
10,000 lb	18218	\$6,095.00
15,000 lb	18219	\$6,095.00
20,000 lb	18220	\$6,095.00
25,000 lb	18221	\$6,095.00
50,000 lb	18222	\$13,356.00
75,000 lb	25354	\$13,356.00
4-Module Kit		
1,000 lb	18224	\$5,263.00
1,500 lb	18225	\$5,263.00
2,500 lb	18227	\$5,263.00
5,000 lb	18228	\$5,263.00
10,000 lb	18229	\$8,045.00
15,000 lb	18230	\$8,045.00
20,000 lb	18231	\$8,045.00
25,000 lb	18232	\$8,045.00
50,000 lb	18233	\$17,617.00
75,000 lb	25355	\$17,617.00
Dummy Load Cells (Mild Steel)		
1,000 lb-5,000 lb	18236	\$26.00
10,000 lb-25,000 lb	18237	\$42.00
50,000 lb	18238	\$56.00

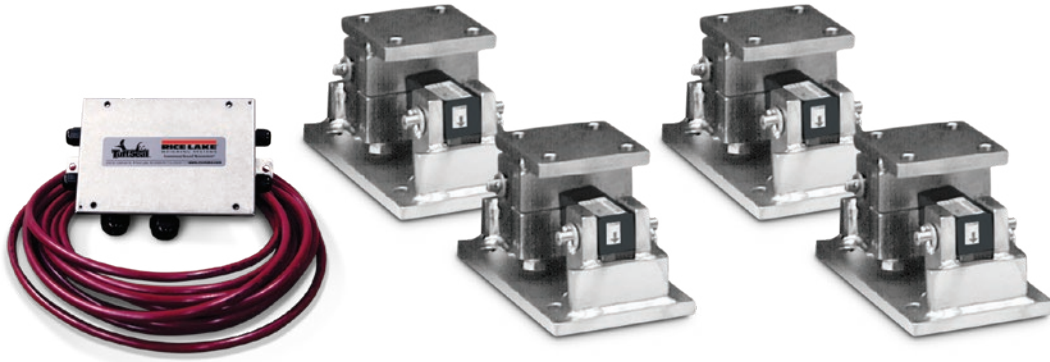
Shims, Stainless

	Part #	Price
1,000 lb-5,000 lb		
0.0625	150852	\$5.00
0.125	150853	\$10.00
0.250	150854	\$16.00
10,000 lb-25,000 lb		
0.0625	150855	\$15.00
0.125	150856	\$24.00
0.250	150857	\$62.00
50,000 lb-75,000 lb		
0.0625	150858	\$21.00
0.125	150859	\$31.00
0.250	150861	\$77.00

WEIGH MODULES

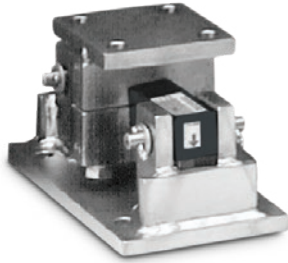
RL1600 Series Painted Load Cell Version

Stainless Steel Weigh Modules

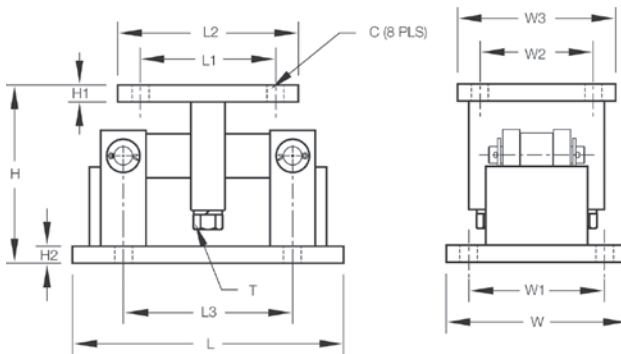


Picture is a representation of actual product.

The RL1600 Series mounting module kit utilizes several Rice Lake Weighing Systems components to provide an unmatched level of performance in tank and hopper weighing applications. The RL1600 Series is ideally suited for applications where corrosive materials are weighed such as fertilizer. Each module incorporates self-checking capabilities for thermal expansion and contraction.



Module with RL75016 painted double-ended beam cell



Dimensions

Rated Capacity	C	H	H1	H2	L	L1	L2	L3	T	W	W1	W2	W3
lb/in													
1,000-5,000	0.56	5.00	0.50	0.50	9.25	2.75	4.00	6.25	1/2-13 UNC	5.00	3.75	2.75	4.00
10,000-25,000	0.78	7.87	0.75	0.75	12.00	6.00	8.00	7.50	3/4-10 UNC	8.00	6.00	6.00	8.00
50,000-75,000	0.78	9.25	1.00	1.00	16.25	6.50	9.00	11.50	1 1/4-7 UNC	12.00	9.50	6.50	9.00

Complete Kit Includes

- One JB4SS NEMA Type 4X stainless steel signal trim junction box
- Three or four RL1800 stainless steel compression mounts
- Three or four RL75016 painted alloy steel double ended shear beam load cells
- 25 ft of hostile environment EL147HE SURVIVOR® load cell cable

Standard Features

- Capacities (per module): 1,000-75,000 lb
- Self-checking, easy-to-use design allows module to be bolted directly to tank leg without requiring additional mounting plates or load buttons
- Environmentally protected load cells
- Double-ended shear beam design, center loaded

Applications

- Medium-to heavy-capacity tanks, bins and hoppers
- Bulk material management

Load Cell Certifications



RL1600 Series Painted Load Cell Version

Stainless Steel Weigh Modules

Order Information

Load Rating (Per Module)	Part #	Price
Single Module (Does NOT Include Load Cell)		
1,000 lb-5,000 lb	17813	\$657.00
10,000 lb-25,000 lb	17815	\$1,283.00
50,000 lb	17842	\$3,032.00
75,000 lb	25347	\$3,032.00
3-Module Kit		
1,000 lb	199023	\$3,736.00
1,500 lb	199025	\$3,736.00
2,000 lb	199027	\$3,736.00
2,500 lb	199029	\$3,736.00
3,000 lb	199031	\$3,736.00
5,000 lb	199033	\$3,736.00
10,000 lb	199035	\$5,645.00
15,000 lb	199037	\$5,645.00
20,000 lb	199038	\$5,645.00
25,000 lb	199040	\$5,645.00
50,000 lb	199042	\$12,800.00
75,000 lb	199044	\$12,800.00
4-Module Kit		
1,000 lb	199024	\$4,876.00
1,500 lb	199026	\$4,876.00
2,000 lb	199028	\$4,876.00
2,500 lb	199030	\$4,876.00
3,000 lb	199032	\$4,876.00
5,000 lb	199034	\$4,876.00
10,000 lb	199036	\$7,711.00
15,000 lb	199056	\$7,711.00
20,000 lb	199039	\$7,711.00
25,000 lb	199041	\$7,711.00
50,000 lb	199043	\$17,283.00
75,000 lb	199045	\$17,283.00

Shims, Stainless

	Part #	Price
1,000 lb-5,000 lb		
0.0625	150852	\$5.00
0.125	150853	\$10.00
0.250	150854	\$16.00
10,000 lb-25,000 lb		
0.0625	150855	\$15.00
0.125	150856	\$24.00
0.250	150857	\$62.00
50,000 lb-75,000 lb		
0.0625	150858	\$21.00
0.125	150859	\$31.00
0.250	150861	\$77.00

MVS Mount/MVS

Conversion Kit



Picture is a representation of actual product.

The MVS utilizes the center-loaded double-ended shear beam load cell design. The mount is self-centering, which eliminates the need of costly check rods. This results in a pendulum suspension effect that eliminates binding, protects the load cells from damaging side load common on truck scales and automatically returns the mount to dead center. The mount is easy to install and promises high performance and long life.

Complete Kit Includes

- 4 to 10 RL75058-LP 75,000 lb load cells with 35 ft or 60 ft cables
- 4 to 10 MVS mounts
- JB8SPT junction box (JB1010 on 10 module kit)
- 100 ft of hostile environment EL147HE SURVIVOR® load cell cable

Standard Features

- Capacity design: 10,000-125,000 lb
- Mild steel construction
- Specially hardened center link
- Self-checking design
- Self-centering design
- Accommodates thermal expansion and contraction

Optional Features

- VPG® Sensortronics 65058 or VPG® Celtron CLB

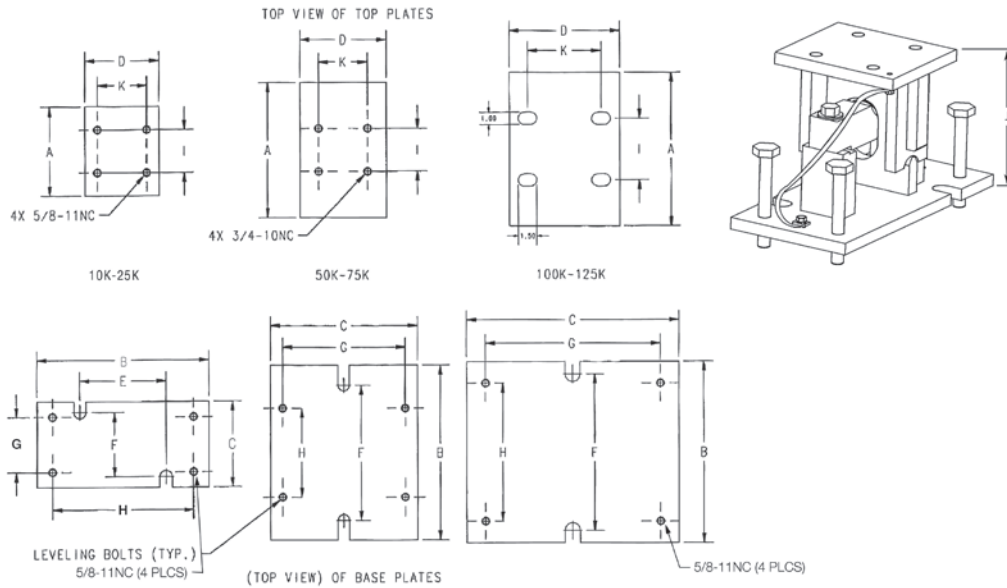
Applications

- Truck scale conversion
- Heavy-capacity horizontal tanks

Load Cell Certifications:



WEIGH MODULES
MVS Mount/MVS
 Conversion Kit



Dimensions

Rated Capacity	A	B	C	D	E	F	G	H	I	J	K
lb/in											
10,000-25,000	7.25	14.00	7.00	6.00	7.00	5.25	4.50	11.50	3.50	8.50	4.00
50,000-75,000	11.00	14.25	12.00	7.00	—	11.00	10.00	7.25	3.50	11.53	4.00
100,000-125,000	12.50	14.75	17.25	9.00	—	12.75	14.25	11.25	5.00	14.21	6.00

Order Information

Load Rating (Per Module)	Part #	Price
MVS Mount (Does NOT Include Load Cell)		
10,000 lb-25,000 lb	71200	\$695.00
50,000 lb-75,000 lb	46441	\$810.00
100,000 lb-125,000 lb	68520	\$1,405.00
MVS Conversion Kits (Includes 75,000 lb* Load Cells, Mounts and Junction Box)		
4-module kit	68495	\$7,287.00
6-module kit	68496	\$10,722.00
8-module kit	68497	\$14,580.00
10-module kit	68498	\$18,915.00
Dummy Load Cell		
50 lb-75,000 lb	169388	\$175.00
100,000 lb-125,000 lb	159696	\$212.00

Custom heights available; Consult
 * Consult for other capacity requirements

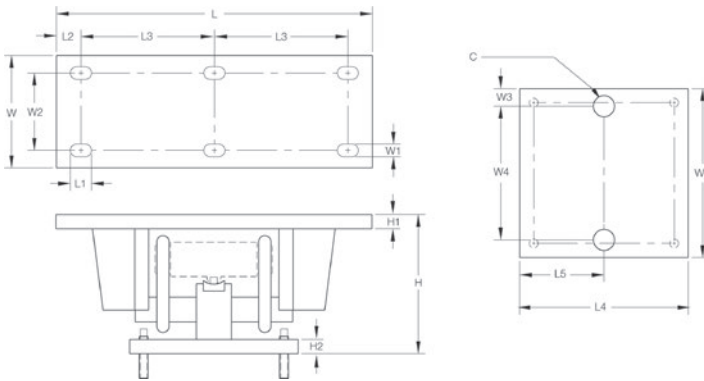
Translink™ Parallel Link

Truck Scale Assembly, Rice Lake Weighing Systems



Mount only; does not include load cell.
Picture is a representation of actual product.

The Translink parallel link truck scale assembly is designed for use with Rice Lake Weighing Systems' RL75223 and RL75040, VPG® Revere's 5223 or VPG® Sensortronics 65040A load cells. This design allows the scale platform to move freely in all directions on a horizontal plane while causing the platform to self-center because of the pendulous action of the links. The unique parallel link design eliminates the need for costly and troublesome checkrods. Simply install platform bumpers and forget about over-travel. This mount is ideal for heavy-capacity weighbridges.



Dimensions

Rated Capacity	C	H	H1	H2	L	L1	L2	L3	L4	L5	W	W1	W2	W3	W4	W5
50,000-100,000 (RL75223, 5223)	1.50	12.93	1.00	1.00	22.50	1.50	1.75	9.50	11.75	5.88	7.75	0.91	5.25	1.25	9.25	11.75
25,000-40,000 (RL75040, 65040A)	1.50	9.88	1.00	1.00	18.50	1.50	1.75	7.50	11.75	5.88	7.75	0.91	5.25	1.25	9.25	11.75
50,000-75,000 (RL75040, 65040A)	1.50	12.82	1.00	1.00	22.50	1.50	1.75	9.50	11.75	5.88	7.75	0.91	5.25	1.25	9.25	11.75

Order Information

Load Rating (Per Module)	Part #	Price
For Use With RL75223, 5223 Load Cells		
50,000 lb-100,000 lb	17970	\$845.00
For Use With RL75040, 65040A Load Cells		
25,000 lb-40,000 lb	17971	\$845.00
50,000 lb-75,000 lb	17972	\$845.00

Mount only; does not include load cell

Standard Features

- Capacities: 25,000-100,000 lb
- Center-supported, end-loaded double-ended shear beam design
- Free movement in all directions in the horizontal plane with virtually no friction
- Links provide optimal loading conditions for the cell
- Completely self-centering
- Requires no check rods
- Utilizes cells with 3 mV/V output
- Models available are RL75223 and RL75040, VPG® Revere 5223 and VPG® Sensortronics 65040A load cells

Applications

- Truck scale mount
- Heavy-capacity horizontal tanks

Motor Truck Scale Electronic Conversion Kit

Rice Lake Weighing Systems



Complete Kit Includes

- One JB8SP NEMA Type 4X signal-trim junction box with individual and section trimming capability (six- and eight-mount kits) or one JB4SP NEMA Type 4X signal-trim junction box (four-mount kits)
- One UJB3T6 DC transient protector
- Four, six or eight Translink mounting assemblies with RL75040 or RL75223 load cells
- 100 ft of hostile environment EL147HE SURVIVOR® load cell cable

Picture is a representation of actual product.

Full electronic performance can be achieved at a fraction of the cost of a new scale and pit. The Motor Truck Scale (MTS) electronic conversion kit is designed to transform an existing scale pit and weighbridge into a fully electronic vehicle scale. Designed for quick installation without removing the platform or reconfiguring the pit, the conversion kit can often be installed in a matter of days, minimizing downtime. This ease of installation is important when considering installations where it is not feasible to completely remove the existing scale.

Standard Features

- Cost and time efficient installation; no need to remove weighbridge
- Converts existing scale capacities of 40,000-300,000 lb
- Four, six or eight-mount kits for two, three or four section conversions
- Translink™ heavy-capacity mounting assemblies
- Free movement in all directions in the horizontal plane with virtually no friction
- Completely self-centering
- Requires no check rods
- Capacity per mount: 25,000-100,000 lb
- Utilizes cells with 3 mV/V output

Optional Features

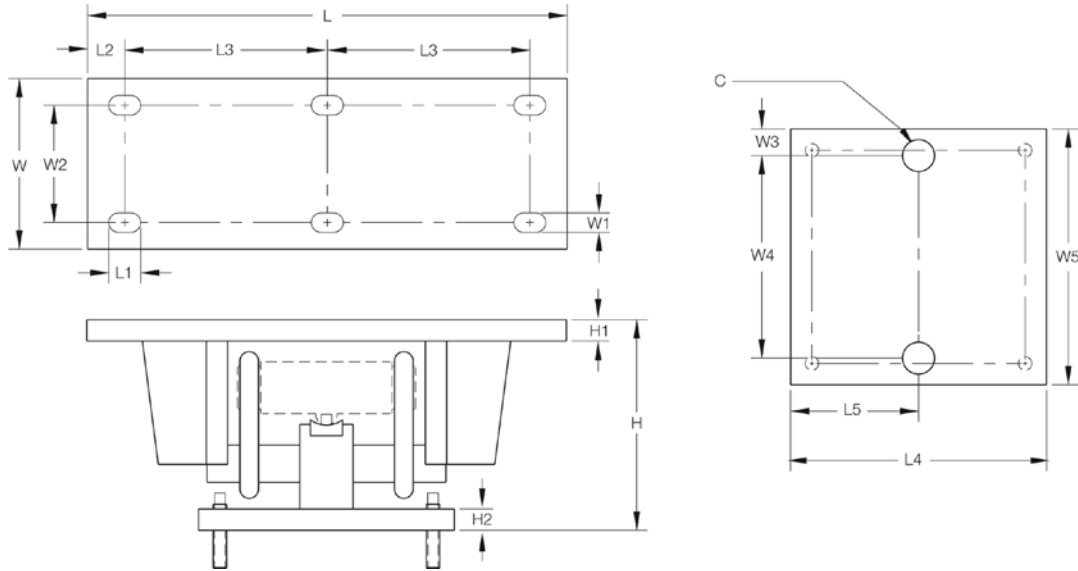
- Custom heights available; consult
- VPG® Sensortronics 65040A or VPG® Revere 5223 load cells

Applications

- Updating existing mechanical motor truck scales
- Replacing unsatisfactory electronic motor truck scales
- Conversion of heavy-capacity scales into fully electronic vehicle scales where the existing scale cannot be removed

Motor Truck Scale Electronic Conversion Kit

Rice Lake Weighing Systems



Dimensions

Rated Capacity	C	H*	H1	H2	L	L1	L2	L3	L4	L5	W	W1	W2	W3	W4**	W5
50,000-100,000 (RL75223)	1.50	12.93	1.00	1.00	22.50	1.50	1.75	9.50	11.75	5.88	7.75	0.91	5.25	1.25	9.25	11.75
25,000-40,000 (RL75040)	1.50	9.88	1.00	1.00	18.50	1.50	1.75	7.50	11.75	5.88	7.75	0.91	5.25	1.25	9.25	11.75
50,000-75,000 (RL75040)	1.50	12.82	1.00	1.00	22.50	1.50	1.75	9.50	11.75	5.88	7.75	0.91	5.25	1.25	9.25	11.75

*Custom heights available; consult **Custom hole spacing for existing bolt patterns is available; consult

Order Information

Scale Suggested Capacity	Load Cell Capacity (Per Module)	Part #	Load Cell Used In Kit	Price
4-Module Kit (Includes Weigh Modules Load Cells, Junction Box, and Transient Protection)				
40,000 lb	25,000 lb	30513	RL75040	\$6,164.00
60,000 lb	40,000 lb	30514	RL75040	\$6,694.00
6-Module Kit (Includes Weigh Modules Load Cells, Junction Box and Transient Protection)				
100,000 lb	50,000 lb	30515	RL75040	\$10,525.00
120,000 lb	60,000 lb	30516	RL75040	\$10,525.00
8-Module Kit (Includes Weigh Modules Load Cells, Junction Box and Transient Protection)				
120,000 lb	60,000 lb	30517	RL75040	\$13,579.00
200,000 lb	75,000 lb	30518	RL75040	\$13,579.00
300,000 lb	100,000 lb	30512	RL75223	\$16,467.00

SD refers to super duty, 100,000 lb capacity welded-seal load cells

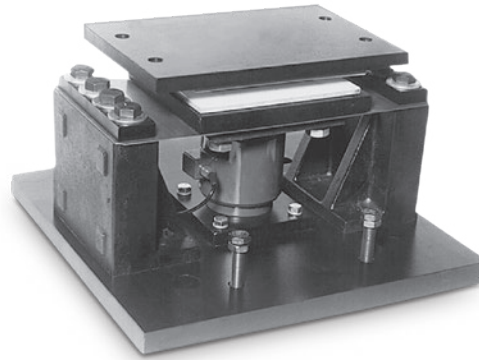
Standard Features

- Capacities: 50,000 lb, 100,000 lb and 200,000 lb
- Protects load cell from shock and side loads
- Low-profile design
- High-strength load bearing plate made of highgrade carbon steel hardened to Rockwell C 48-54
- PTFE coated shock absorbing pads
- Compatible with VPG[®] Revere CP and CSP and Rice Lake Weighing Systems' RLCSP1 NTEP Certified load cells

Applications

- Truck scale mount*
- Heavy-capacity horizontal tanks*
- Railroad track mount*

*Check rods required



Mount only; does not include load cell.
 Picture is a representation of actual product.

The Magna Mount tank, truck and railroad scale assembly is designed for use with Rice Lake Weighing Systems' RLCSP1 or VPG[®] Revere CP or CSP load cells. The shielded-cell load cell mounting assembly is a highly reliable design that shields the load cell from shock and side load effects, assuring accurate weighing even under adverse loading conditions.

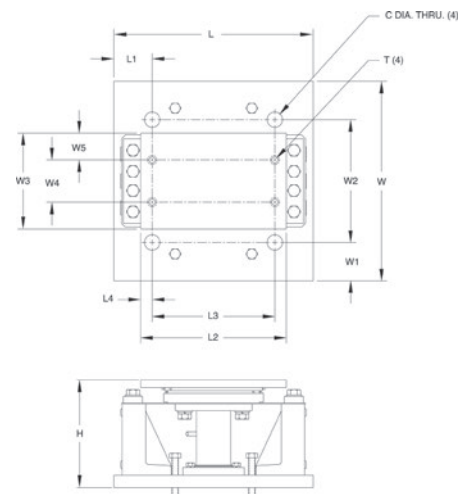
Dimensions

Rated Capacity	C	H	L	L1	L2	L3	L4	T	W	W1	W2	W3	W4	W5
lb/in														
50,000	1.25	7.39	13.00	1.75	11.25	8.50	1.37	3/4-10 UNC	12.00	1.75	8.50	8.00	4.50	1.75
100,000	1.50	11.29	20.00	2.25	18.00	15.50	1.25	7/8-9 UNC	17.00	2.50	12.00	9.00	5.50	1.75
200,000	2.00	14.10	26.00	5.00	19.00	16.00	1.50	1-8 UNC	26.00	5.00	16.00	12.50	5.50	3.50

Order Information

Load Rating (Per Module)	Part #	Price
50,000 lb	21723	\$1,855.00
100,000 lb	21724	\$2,210.00
200,000 lb	17974	\$3,145.00

Mount only; does not include load cell



WEIGH MODULES

Mettler Toledo® DigiTOL® Retrofit Kit

Stainless Steel, Rice Lake Weighing Systems/Flintec

RC1 Load Cells



Shown here with the JB8SP signal trim junction box.
Picture is a representation of actual product.

These kits are designed to provide a cost effective solution for replacing Mettler Toledo™ DigiTOL® digital load cells with analog load cells. The Flintec® RC1 and RC3 load cells are stainless steel and hermetically sealed to provide years of trouble-free service.

DigiTOL Retrofit Order information

Description	Part #	Price
8 mount kit (RC1-56,000) 1 JB8SP junction box	78713	\$9,323.00
10 mount kit (RC1-56,000) 2 JB8SP junction boxes	78714	\$11,337.00
12 mount kit (RC1-56,000) 3 EL304 junction boxes	152774	\$13,987.00

Complete Kit Includes

- One JB8SP or two JB8SP signal trim junction boxes (8 and 10 mount kit)
- Three EL304 signal trim boxes in 12 mount kits
- 8, 10 or 12 Flintec RC1-250 KN load cells with upper and lower load cups
- 8, 10 or 12 Flintec RC3 load cells with upper and lower load cups
- 100 ft of hostile environment EL147HE SURVIVOR® load cell cable
- Cups included

Standard Features

- Stainless steel hermetically sealed load cells
- Converts existing Mettler Toledo DigiTOL scale to an analog based load cell weighing system
- 8, 10 or 12 load cells and cups, plus junction box and home run cable
- Load cells are NTEP Certified 1:10,000 divisions, Class III*
- Rocker design load cells
- Load cups

*Consult your local Weights & Measures Authorities for local Legal for Trade requirements

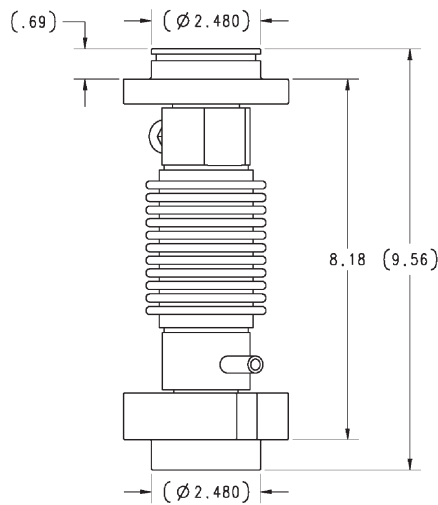
Applications

- Mettler Toledo® DigiTOL® truck scale conversion

Warranty

- One-year limited warranty

Load Cell Certifications:



RC1-250KN

Mettler Toledo® DigiTOL® Retrofit Kit

Stainless Steel, Rice Lake Weighing Systems/Flintec

RC3 Load Cells



Complete Kit Includes

- One JB8SP or two JB8SP signal trim junction boxes (8 and 10 mount kit)
- Three EL304 signal trim boxes in 12 mount kits
- 8, 10 or 12 Flintec® RC1-250 KN load cells with upper and lower load cups
- 8, 10 or 12 Flintec® RC3 load cells with upper and lower load cups
- 100 ft of hostile environment EL147HE SURVIVOR® load cell cable
- Cups included

Standard Features

- Stainless steel hermetically sealed load cells
- Converts existing Mettler Toledo DigiTOL scale to an analog based load cell weighing system
- 8, 10 or 12 load cells and cups plus junction box and home run cable
- Load cells are NTEP Certified 1:10,000 divisions, Class IIII*
- Rocker design load cells
- Load cups

*Consult your local Weights & Measures Authorities for local Legal for Trade requirements

Applications

- Mettler Toledo® DigiTOL® truck scale conversion

Warranty

- One-year limited warranty

Load Cell Certifications

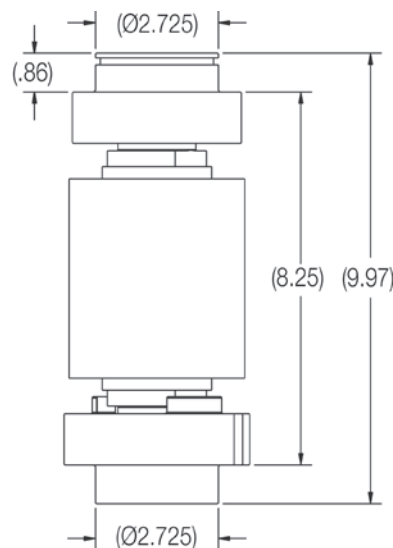


Shown here with the JB8SP signal trim junction box
Picture is a representation of actual product

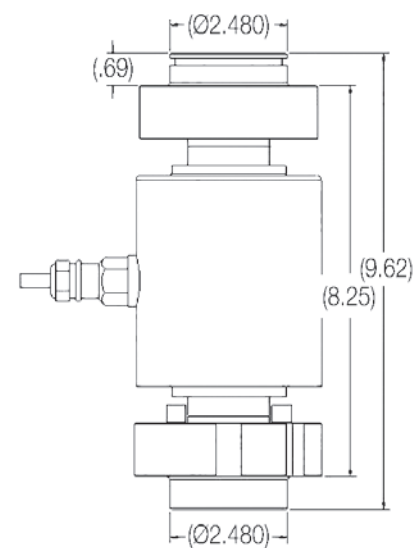
This kit is designed to provide a cost effective solution for replacing Mettler Toledo® DigiTOL® digital load cells with analog load cells. The Flintec® RC3 load cell is stainless steel and hermetically sealed to provide years of trouble-free service.

DigiTOL Retrofit Order information

Description	Part #	Price
8 mount kit (RC3-50T) RR/track 2 EL304 junction boxes	129844	\$12,715.00
8 mount (RC3-50T) truck 2 EL304 junction boxes	154347	\$12,715.00
10 mount kit (RC3-50T) RR/track 2 JB8SP junction boxes	111367	\$15,683.00
10 mount kit (RC3-50T) truck 3 EL304 junction boxes	154348	\$15,683.00
12 mount kit (RC3-50T) truck 3 EL304 junction boxes	154349	\$18,216.00



RC3-50t
RR TRACK



RC3-50t
TRUCK

Electronic Floor Scale Underdeck Kits



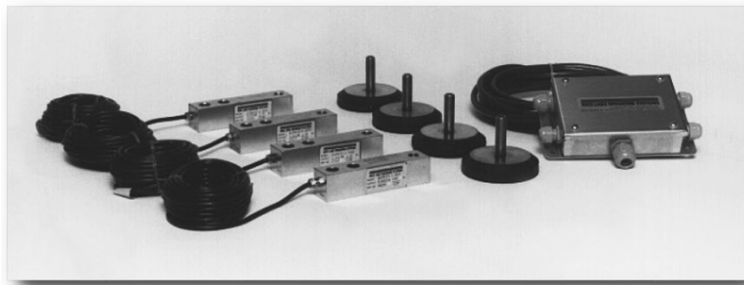
Economical Kit

Kit Includes

(4) VPG® Celtron SQB alloy steel NTEP Certified 5,000 d, Class III load cells
(1) JB4SS stainless steel NEMA Type 4X junction box
(4) SureFoot® high-accuracy stainless steel support feet
20 ft EL147HE load cell cable
(4) mounting plates and (8) load cell bolts

Order Information

Scale Base Capacity	Part #	Price
1,000 lb for 2,000 lb base	26436	\$980.00
2,500 lb for 5,000 lb base	26437	\$980.00
4,000 lb for 10,000 lb base	26438	\$980.00



Standard Precision Applications Kit

Kit Includes

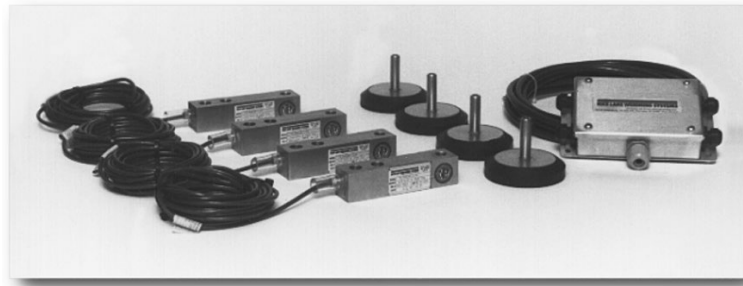
(4) Rice Lake RL32018 alloy steel NTEP Certified 5,000 d, Class III load cells
(1) JB4SS stainless steel NEMA Type 4X junction box
(4) SureFoot high-accuracy stainless steel support feet
20 ft EL147HE load cell cable
(4) mounting plates and (8) load cell bolts

NOTES: The use of NTEP Certified load cells in a scale base does not constitute approval of the completed base. Consult with local or state jurisdiction for compliance requirements.

Order Information

Scale Base Capacity	Part #	Price
1,000 lb for 2,000 lb base	19032	\$1,060.00
2,500 lb for 5,000 lb base	19033	\$1,060.00
4,000 lb for 10,000 lb base	19034	\$1,060.00

Electronic Floor Scale Underdeck Kits



Underdeck kits are provided to meet the application needs of the electronic floor scale producer and are an easy source for rebuilding existing floor scales. Underdeck kits are provided with mounting plates and load cell bolts for easy installation.

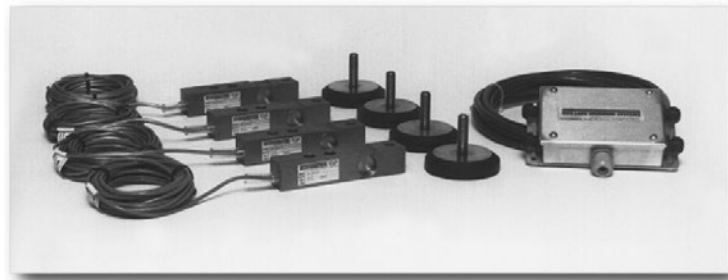
Chemical, Dry Corrosive & Non-Washdown Applications Kit

Kit Includes

- (4) VPG® Celtron SQB-HSS stainless steel NTEP Certified 5,000 d, Class III load cells
- (1) JB4SS stainless steel NEMA Type 4X junction box
- (4) SureFoot® high-accuracy stainless steel support feet
- 20 ft EL147HE load cell cable
- (4) mounting plates and (8) load cell bolts

Order Information

Scale Base Capacity	Part #	Price
1,000 lb for 2,000 lb base	19035	\$1,378.00
2,500 lb for 5,000 lb base	19036	\$1,378.00
4,000 lb for 10,000 lb base	19037	\$1,378.00



Wet Applications Kit

Kit Includes

- (4) Rice Lake RL32018S-HE welded-seal stainless steel NTEP Certified 5,000 d, Class III load cells
- (1) JB4SS stainless steel NEMA Type 4X junction box
- (4) SureFoot® high-accuracy stainless steel support feet
- 20 ft EL147HE load cell cable
- (4) mounting plates and (8) load cell bolts

Order Information

Scale Base Capacity	Part #	Price
1,000 lb for 2,000 lb base	19038	\$1,706.00
2,500 lb for 5,000 lb base	19039	\$1,706.00
4,000 lb for 10,000 lb base	19040	\$1,706.00

A large grid of empty cells, approximately 30 columns wide and 45 rows high, intended for data entry or calculations.

Rice Lake Weighing Systems

TABLE OF CONTENTS

S-BEAMS

Page 128

RL20000I, ALLOY STEEL



Ideally suited for scale conversions and general-purpose weighing. Compact and rugged design. Capacities range from 25 lb to 20,000 lb. Complete with 20 ft of load cell cable.



Page 129

RL20000SS, STAINLESS STEEL



For suspended applications or mechanical scale conversions, this model provides the additional protection of stainless steel necessary in dry, corrosive environments. Available in capacities ranging from 50 lb to 20,000 lb.



Page 130

RL20000ST, STAINLESS STEEL



For suspended applications or mechanical scale conversions, this model provides the additional protection of stainless steel necessary in dry, corrosive environments. Available in capacities ranging from 50 lb to 5,000 lb.



Page 131

RL20001I, ALLOY STEEL



Ideally suited for scale conversions, tension applications and general-purpose weighing. Compact and rugged design. Capacities range from 250 lb to 20,000 lb. Complete with 20 ft of load cell cable.



Page 132

RL20001HE, STAINLESS STEEL



The RL20001HE is a full stainless steel, welded-seal, S-beam available in capacities ranging from 500 lb to 10,000 lb. This model is featured in our ITCM HE products, and is ideal for the harshest tension mounting applications. NTEP Certified in capacities ranging from 500 lb to 5,000 lb.



Page 133

RLETS, ALLOY STEEL



Ideally suited for scale conversions and general-purpose weighing. OIML approved and metric envelope capacities ranging from 250 kg to 2,500 kg. Complete with 6 m of load cell cable.



SINGLE-ENDED BEAMS

Page 134

RL32018, ALLOY STEEL



The Rice Lake RL32018 is an alloy steel single-ended beam cell offered from 250 lb to 20,000 lb. Each load cell has 20 ft of cable and is FM approved and NTEP Certified from 1,000 lb to 10,000 lb.



Rice Lake Weighing Systems

SINGLE-ENDED BEAMS

Page 135

RL32018, ALLOY STEEL PAINTED



The Rice Lake RL32018 is a painted alloy steel single-ended beam cell offered from 500 lb to 20,000 lb. Each load cell has 20 ft of cable and is FM approved and NTEP Certified from 1,000 lb to 10,000 lb. Ideal for fertilizer applications.



Page 136

RL32018S, STAINLESS STEEL



The RL32018S stainless steel load cell is available in capacities from 250 lbs to 20,000 lbs. Sealed to IP66 standards, each cell includes 20 ft of cable and is FM approved. NTEP Certified from 1,000 lb to 10,000 lbs.



Page 137

RL32018S-P, STAINLESS STEEL



The RL32018S-P stainless steel load cell is available in capacities from 1,000 lb to 10,000 lb. Sealed to IP69K, it has a 3 mV output and is FM approved. Comes complete with 20 ft of PTFE cable.



Page 138

RL32018S-HE, STAINLESS STEEL



The Rice Lake RL32018S-HE is a hermetically sealed, stainless steel single-ended beam load cell with 20 ft of PTFE jacketed cable for protection in harsh environments. Sealed to IP69K standards this cell is 3 mV/V and NTEP Certified from 1,000 lb to 10,000 lb.



Page 139

RL32019S-HE, STAINLESS STEEL



The RL32019S-HE is a stainless steel single-ended beam with 2 mV/V and 30 ft of PTFE jacketed cable. Hermetically sealed to IP69K for tough environments. Available from 1,000 lb to 10,000 lb.



Page 140

RL32218S-HE, STAINLESS STEEL



The RL32218S-HE model is similar to the RL32019S-HE but with 20 ft of PTFE cable. As with the RL32019S-HE, this model is also hermetically sealed and comes in capacities from 1,000 lb to 10,000 lb.



Page 141

RL9018SS, STAINLESS STEEL



The Rice Lake RL9018SS is a stainless steel, single-ended beam load cell that is hermetically sealed with an IP68/IP69K rating. It has NTEP Certified for capacities from 5 kg to 500 kg. Each load cell comes with 3 m of cable.



Page 142

RL30000I, ALLOY STEEL



This threaded hole, single-ended beam designed for low-profile scales and process applications. NTEP Certified cells in capacities ranging from 1,000 lb to 10,000 lb. Non-NTEP Certified cells in 250 lb, 500 lb and 20,000 lb capacities. Complete with 20 ft of load cell cable.



Page 143

RL30002, ALLOY STEEL



Single-ended beam designed for low-profile scales and process applications. NTEP Certified cells in capacities ranging from 1,000 lb to 5,000 lb SE; Complete with 20 ft of load cell cable.



Rice Lake Weighing Systems

SINGLE-ENDED BEAMS

Page 144

RLH35, STAINLESS STEEL



Stainless steel construction and integral mounting foot as well as dimensional and electrical interchangeability with several load cell manufacturers. Capacities range from 500 lb to 5,000 lb. Each cell comes with 20 ft of load cell cable.



Page 145

RL39123, STAINLESS STEEL



Single-ended beam in stainless steel. Designed for low-profile scales and process applications. Capacities range from 250 lb to 10,000 lb. Complete with 20 ft or 30 ft of load cell cable.



Page 146

RL32018S-T, STAINLESS STEEL



The RL32018S-T is a replacement for the RL30745 load cell used in the RLTm weigh modules as well as a replacement for the Mettler Toledo® Model 745. Complete with 15 ft or 30 ft of cable, it is NTEP Certified as well as FM approved.



Page 147

RL30745, STAINLESS STEEL



This stainless steel, welded-seal, single-ended beam provides excellent protection against corrosive and washdown environments. This model is also a direct replacement cell for the Mettler Toledo® 745 Mount. It is ideally suited for low-profile platforms and vessel weighing. Available in capacities ranging from 500 lb to 10,000 lb. Complete with 30 ft load cell cable.



Page 148

RL35023S, STAINLESS STEEL, PAINTED



The RL35023S painted load cell is a version of the RL35023S stainless steel load cell listed above but with the added protection of a proprietary coating. This coating will protect the load cell element in dry chemical applications that would normally cause standard stainless steel load cells to fail. The most common application is fertilizer.



Page 149

RLETB, ALLOY STEEL



Single-ended beam designed for low-profile scales and process applications. OIML approved and metric envelope capacities range from 1,000 kg to 5,000 kg. Complete with 6 m of load cell cable.



Page 150

RLHTO, STAINLESS STEEL



Low profile and hermetic sealing combined with high accuracy makes the RLHTO ideally suited for low-profile platforms, pallet truck weighers, tanks and silos. Hermetically sealed and polyurethane shielded cable enable it to function in harsh environments while maintaining its operating specifications. Capacities range from 500 kg to 5,000 kg. Complete with 5 m of load cell cable.



Page 151

RLSSB, STAINLESS STEEL



Rugged and precise single-ended beam offers welded-seal protection and stainless steel construction. Designed for use in the most hostile environments. Applications include platform scales, materials testing and process weighing. Capacities range from 1,000 lb to 10,000 lb. Complete with 15 ft of load cell cable.



Rice Lake Weighing Systems

SINGLE-ENDED BEAMS

Page 152

RLSB250/RLSB250T, STAINLESS STEEL



Interchangeable with Cardinal® SB2500. Stainless steel construction with welded seal. NTEP Certified capacity of 2,500 lb - 10,000 lb available. Comes complete with 15 ft or 20 ft of load cell cable.



Page 153

RL50219SS, STAINLESS STEEL



The RL50219SS is a direct replacement for the RL50210SS stainless cantilever beam cell. It is IP67 and comes with 20ft of cable. Used in the RL50210SS-TA weigh modules in capacities from 25 lb to 500 lb.



Page 154

RL50210, ALLOY STEEL



Designed for tension or compression loading applications. Capacities range from 25 lb to 500 lb. Complete with 20 ft of load cell cable.



Page 155

RL60040SST, STAINLESS STEEL



Designed for tension or compression loading applications. Capacities range from 25 lb to 500 lb. Complete with 20 ft of load cell cable. Stainless steel construction.

DISCONTINUED

Page 156

RL40BBS, ALLOY STEEL



Designed for precision force and weight measurement. Capacities range from 50 lb to 2,500 lb. Complete with 10 ft of load cell cable.

Page 157

RL32011WB-L, STAINLESS STEEL



The Legal for Trade RL32011WB-L is our direct link-style replacement for the Avery Weigh-Tronix® Weigh Bar®, improved upon with stainless steel construction and IP67 rating for a variety of floor scale, mount assembly and truck scale designs. Standard capacities range from 1,250 lb to 10,000 lb.



Page 158

RL32011WB-T, STAINLESS STEEL



The RL32011WB-T, used in many floor scale models, is a direct replacement for the threaded style Avery Weigh-Tronix® Weigh Bar®, with improved stainless steel construction and a potted IP67 housing. Available in 1,250 lb or 2,500 lb capacities.



DOUBLE-ENDED BEAMS

Page 159

RL72020, ALLOY STEEL



The RL72020 is an alloy steel, double-ended beam load cell ideal for truck, tank and hopper applications. The RL72020 is available in capacities of 5,000 lb to 250,000 lb and is complete with 30 ft of load cell cable.



Page 160

RL72020SS, STAINLESS STEEL



The RL72020SS is a stainless steel, double-ended beam load cell with an environmental seal and Legal for Trade NTEP certification. Available in capacities of 5,000 lb to 150,000 lb, the RL72020SS is complete with 30 ft of cable.



Rice Lake Weighing Systems

DOUBLE-ENDED BEAMS

Page 161

RL72020P, STAINLESS STEEL



Ideal for fertilizer, tank and hopper applications, the RL72020P is a painted alloy steel, double-ended beam load cell. Capacities range from 5,000 lb to 250,000 lb and the RL72020P comes with 30 ft of load cell cable.



Page 162

RL72019SS, STAINLESS STEEL



The RL72019SS is a direct replacement for the RL72010MH load cell. It is stainless steel and has a welded seal. Complete with 25 ft of cable and is available in capacities from 5,000 lb to 60,000 lb.



Page 163

RL70000, ALLOY STEEL



Double-ended beam with center loading. Designed for truck, tank and hopper applications. Capacities range from 5,000 lb to 250,000 lb. Complete with 30 ft of load cell cable.



Page 164

RL70000, ALLOY STEEL PAINTED



The RL70000 painted alloy steel, double-ended beam load cell is designed for tank and hopper applications. Ideal for fertilizer applications. Available in capacities ranging from 5,000 lb to 250,000 lb and complete with 30 ft of load cell cable.



Page 165

RL70000SS, STAINLESS STEEL



Stainless steel double-ended beam load cell designed for truck, track and process weighing. High accuracy, low profile and tolerances to non-axial loading and redundant seal. Capacities range from 5,000 lb to 150,000 lb. Complete with 30 ft of load cell cable.



Page 166

RL75016, ALLOY STEEL



The RL75016 is an alloy steel double-ended beam load cell with center loading. It is designed for tank and hopper applications. Capacities range from 1,000 lb to 75,000 lb. The load cell comes with 25 feet of load cell cable.



Page 167

RL75016, ALLOY STEEL, PAINTED



The RL75016 painted double-ended beam with center loading is designed for tank and hopper applications. This painted load cell is a version of the RL75016 load cell but with the added protection of a proprietary coating. This coating will protect the load cell element in dry chemical applications that would normally cause standard cells to fail. Capacities range from 1,000 lb to 75,000 lb. Complete with 25 ft of load cell cable.



Page 168

RL75016SS, STAINLESS STEEL



Double-ended beam with center loading. Designed for tank and hopper applications. Stainless steel provides protection against corrosive materials. Capacities range from 1,000 lb to 75,000 lb. Complete with 25 ft of load cell cable.



Page 169

RL75016SS-W, STAINLESS STEEL



A double-ended beam, stainless steel load cell designed for tank and hopper applications. Capacities range from 1,000 lb to 50,000 lb.

Rice Lake Weighing Systems

DOUBLE-ENDED BEAMS

Page 170

RL75016WHE, STAINLESS STEEL



Double-ended beam with center loading. Designed for tank and hopper applications. Stainless steel construction and hermetic sealing provide protection in hostile environments. Capacities range from 1,000 lb to 25,000 lb. Complete with 25 ft of load cell cable.



Page 171

RL75058I, ALLOY STEEL



Nickel plated and environmentally sealed with stainless steel side plates. Designed for center link loading and compatibility with the Unilink or similar suspension systems up to 75,000 lb. Capacities range from 10,000 lb to 125,000 lb. Complete with 35 ft of load cell cable. Models with 60 ft or 100 ft of load cell cable are available as well.



Page 172

RL75058I, ALLOY STEEL FOR COIL SCALE



Nickel plated and environmentally sealed with stainless steel side plates. Used in the Rice Lake Weighing Systems coil scale. 20,000 lb to 75,000 lb, complete with 35 ft of load cell cable.



Page 173

RL75058-LP, ALLOY STEEL



The RL75058-LP high-alloy steel, nickel plated load cell has built-in lightning protection and is available in capacities from 10,000 lb to 125,000 lb. Sealed to IP67, it has a 3 mV output and is cFMus approved and NTEP Certified.



Page 174

RL75058S-LP, STAINLESS STEEL



The RL75058S-LP is a stainless steel, hermetically sealed load cell with built-in lightning protection. It is available in capacities 10,000 lb to 125,000 lb with an IP68/IP69K rating.



Page 175

RL75060S, STAINLESS STEEL



With a welded seal and NTEP Certification to 10,000 divisions, the RL75060S provides the ultimate in durability and accuracy in high-capacity process measurement and control. It is also ideal for vehicle weighing in hostile environments. Capacities range from 20,000 lb to 100,000 lb. Complete with 35 ft of load cell cable.



Page 176

RL75223, ALLOY STEEL



Very high performance end-loaded, center-supported shear beam designed for low-profile truck and track scales in harsh environments. Welded seal provides superior protection. Parallel link loading provides free movement in all horizontal directions with virtually no friction. Compatible with Translink Mounts. Capacities range from 50,000 lb to 100,000 lb. Complete with 40 ft of load cell cable.



Page 177

RLDB50000S-50K, STAINLESS STEEL



The RLD50000S is a stainless steel, welded-seal load cell designed as an interchangeable load cell for the Cardinal® DB50000S. It is NTEP Certified for 10,000 divisions and has 35 ft of cable standard.



Rice Lake Weighing Systems

DOUBLE-ENDED BEAMS

Page 178

RL75040, ALLOY STEEL



Double-ended beam load cell. Nickel plated and environmentally sealed with stainless steel plates. Designed for center mounting and double link loading, compatible with Unilink/Translink suspension up to 75,000 lb. Capacities range from 25,000 lb to 125,000 lb. Complete with 35 ft of load cell cable. Optional 40 ft or 50 ft cable available with some capacities.



COMPRESSION CANISTERS

Page 179

RLCSP1, STAINLESS STEEL



Welded-seal, stainless steel canister cell designed for vehicle and process applications. High capacity load cell is built for reliability, durability and extreme precision. RLCSP1 cells are ideal for applications where optimal precision and durability are needed. Capacities range from 25,000 lb to 200,000 lb. Complete with 35 ft of load cell cable.



Page 180

RL8C2P1SST, STAINLESS STEEL



Single-column design with low deflection, hermetically sealed for trouble-free operation. Stainless steel for use in harsh environments. Compact and rugged. Capacities range from 50,000 lb to 200,000 lb. Complete with 35 ft of load cell cable.



Page 181

RLSCA, STAINLESS STEEL



RLSCA load cell is designed to be a replacement for Cardinal® SCA products. It features all stainless steel construction and welded sealing to provide IP67 environmental protection. This package includes a load cell and two retrofit cups that allow the RLSCA to match up with various field applications. Backed by NTEP IIIIL 10M Certification, this unit provides an easy-to-install and easy-to-access alternative to similar products on the market. Available in a 50,000 lb package, the RLSCA includes 30 ft of standard load cell cable.



Page 182

RL70510-30T/RL80453-100,000 LB, STAINLESS STEEL



The RL70510 and RL80453 rocker cells are replacements for the Fairbanks® 70510 and 80453 rocker cells found in many truck scales. They are stainless and hermetically sealed.



Page 183

RL75114-50K, STAINLESS STEEL



The RL75114 is a stainless steel hermetically sealed rocker column designed to interchange with the Fairbanks® part number 64166. It has 30 ft of overbraided cable to protect it from abrasion and rodents. NTEP Certified.



COMPRESSION DISK

Page 184

RL90000, ALLOY STEEL



Environmentally sealed low-profile compression disk. Models with capacities of 5,000 lb and 10,000 lb can also be used in tension loading applications. Shear web design provides excellent performance and its low profile makes it ideal for applications where height is critical. Capacities range from 5,000 lb to 100,000 lb. Complete with 50 ft of load cell cable.



Rice Lake Weighing Systems

COMPRESSION DISK

Page 185

RLPC3 SS, STAINLESS STEEL



Stainless steel, environmentally sealed single- point ideally suited for bench scales. NTEP Certified and OIML approved with capacities from 7 kg to 150 kg, 10 ft of cable standard.



Page 186

RLPC4SS-HE, STAINLESS STEEL



The RLPC4SS-HE is a stainless steel hermetically sealed single- point designed for bench scales used in wash down applications. Capacities from 10 kg to 100 kg and is NTEP Certified and OIML approved.



SINGLE POINTS

Page 187

RLPC6, STAINLESS STEEL



The RLPC6 is a stainless steel, hermetically sealed single -point load cell. Can be used in any application where moisture is a problem. The RLPC6 is NTEP Certified and is provided with 10 ft of cable. Capacity from 10 kg to 200 kg.



Page 188

RLPWM15HE, STAINLESS STEEL



The RLPWM15HE is the latest in a line of hermetically sealed stainless steel single points offered by Rice Lake. The unique sealing techniques employed provide the RLPWM15HE with true hermetic sealing to IP69K. Available in capacities ranging from 10 kg to 100 kg. NTEP Certified and comes complete with 10 ft of load cell cable.



Page 189

RLPWM15, STAINLESS STEEL



The environmentally sealed RLPWM15 replaces HBM®'s PW15 for many bench scale types. This stainless steel model with both NTEP Certification and FM approval comes in a range of capacities from 10 kg to 150 kg. Complete with 10 ft of load cell cable.



Page 190

RLPCBC-60, STAINLESS STEEL



The RLPCBC-60 is a stainless steel, hermetically sealed, single- point load cell. Can be used in applications where moisture is a problem. It is NTEP Certified and comes complete with 10 ft of load cell cable. Capacity ranges are 50 kg to 1,000 kg.



Page 191

RL1521A, ALUMINUM



The RL1521A is a very low-profile single-point load cell designed for electronic bench scales and platform scales where only one load cell is used. Intended as a replacement for the VPG® BLH and NMB® C2G1, capacities range from 3 kg to 35 kg.



Page 192

RL1010, ALUMINUM



Off-center loading load cell designed for direct mounting of the weighing platform and simplifying construction of platform scales. Long-term stability and durability are maintained. Load cells with potted cavities are available for improved performance in damp environments. Potted models in capacities ranging from 7 kg to 90 kg with 10 ft of load cell cable; unpotted models in capacities of 3 kg and 5 kg with 3 ft of load cell cable. NTEP Certified from 10 kg to 50 kg.



Rice Lake Weighing Systems

SINGLE POINTS

Page 193

RLSP4, ALUMINUM



The RLSP4 is a low-profile, off-center load cell designed for use in retail, postal and platform scale applications. This high accuracy single point is manufactured from aluminum, and is moment compensated for optimal accuracy. The product is protected by a quality gauge coating compound that provides a barrier against high humidity environments. This product is available in capacities ranging from 5 kg to 100 kg, and comes standard with 10 ft of load cell cable.



Page 194

RLPWM12, ALUMINUM



The RLPWM12 is ideal for platform, hanging scales and other low-capacity beam applications. An aluminum, single point load cell with capacities ranging from 50 kg to 1,000 kg, this load cell is NTEP Certified. Complete with 10 ft of load cell cable.



Page 195

RLPWM16, ALUMINUM



A single point, aluminum load cell with capacities ranging from 50 kg to 635 kg, this load cell has a potted cavity and offers excellent performance in damp environments. Complete with 10 ft of load cell cable.



Page 196

RL1042, ALUMINUM



A low-profile single point for platform weighing, this model is constructed of aluminum, and is a two-beam design. This design offers high immunity to side forces and is specially coated to provide humidity resistance. The unit is available in capacities ranging from 1 kg to 100 kg. Complete with 10 ft of load cell cable.



Page 197

RL1040, ALUMINUM



Low-profile, off-center loading load cell. Designed for direct mounting of a weighing platform, hanging scales and other low-capacity beam applications. Long-term stability and durability are maintained. Potted cavities provide improved performance in damp environments. NTEP Certified capacities range from 5 kg to 100 kg. Complete with 10 ft of load cell cable.



Page 198

RL1140, STAINLESS STEEL



This single-point cell is constructed of stainless steel. The RL1140 is ideal for platform scales, packaging and process weighing equipment. Capacities range from 15 kg to 150 kg. Complete with 10 ft of load cell cable.



Page 199

RL1380, STAINLESS STEEL



This single-point cell is constructed of stainless steel, and is designed for high performance in moist environments. These features provide an excellent option when stainless steel is required for an application. The RL1380 is available in capacities ranging from 7 kg to 60 kg. Complete with 10 ft of load cell cable.



Page 200

RL1385, STAINLESS STEEL



Low-profile, off-center loading load cell. Designed for direct mounting of a weighing platform, hanging scales and other low-capacity beam applications. Stainless steel construction and a unique humidity-resistant protective coating provides long-term stability, even in harsh environments. Potted cavities provide improved performance in damp environments. Capacities range from 10 kg to 200 kg. Complete with 10 ft of load cell cable.

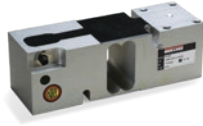


Rice Lake Weighing Systems

SINGLE POINTS

Page 201

RL1260, ALUMINUM



High-capacity, off-center loading aluminum load cell. This model is of the two-beam design, and is specially coated to assure durability in harsh environments. Capacities range from 50 kg to 635 kg. Complete with 10 ft of load cell cable.



Page 202

RL260FD, STAINLESS STEEL



The RL260FD is a Rice Lake fluid dampened load cell. The stainless steel housing and standard breather tube provides excellent protection in most applications. It is available from 2 kg to 50 kg capacities. This load cell is NTEP Certified and FM approved.



Page 203

RL26018A, ALUMINUM



The Rice Lake RL26018A aluminum, single -point load cell is ideal for bench scales and comes in capacities from 50 kg to 635 kg. It is NTEP and FM approved and is environmentally sealed to IP67. Complete with 10 ft of cable.



Page 204

RL1250, ALUMINUM



High-capacity, off-center loading load cell accurately weighs loads from 50 kg to 1,000 kg. Long-term stability and durability are maintained. These load cells with potted cavities offer excellent performance in damp environments.



Page 205

RL1218A, ALUMINUM



The Rice Lake RL1218A aluminum, single -point load cell is a high-capacity, off-center loading load cell. It weighs loads from 50 kg to 1,000 kg. These load cells, with potted cavities, offer excellent performance in damp environments.



Page 206

RL42018A, ALUMINUM



Rice Lake's RL42018A is an aluminum, IP66 single- point load cell. The RL42018A is available in capacities ranging from 3 kg to 100 kg and has NTEP Certified and FM approvals. 10 ft of cable is included.



Page 207

RLFLS, STAINLESS STEEL



Interchangeable with the Avery Weigh-Tronix® FLS, Rice Lake's single-point RLFLS is a solid choice for many bench scale applications. The potted RLFLS is stainless steel and rated at IP67, available in a capacities 50 lb and 75 lb.

PLANAR BEAMS

Page 208

RLBLP, ALUMINUM



Very low-profile aluminum sensor that can be used in bench scales in low-profile floor scales. Available in capacities ranging from 15 kg to 150 kg.

Rice Lake Weighing Systems

TENSION LINK

Page 209

RL2010 TENSION LINK



The RL2010 tension link load cell ranges in capacities 5,000 lb to 500,000 lb. This proves to be the perfect choice for those unique tension applications. It is constructed of stainless steel for years of trouble-free service.

MSI

Page 210

MSI LOAD PIN SENSORS



A key component of MSI's integrated overhead weighing solutions is the Load Pin Sensor. Typically designed and manufactured specifically to each integrated solution, the MSI load pin is strictly industrial grade. Each load pin design is precision machined from 17-4 stainless steel for safety, strength and corrosion resistance.

Page 211

MSI LOAD PIN QUESTIONNAIRE

Page 212

MSI TENSION LINK



The MSI Tension Link integrates between a crane block and lifting equipment to provide force measurement for lifted items, making it an ideal integration for cranes. The MSI Tension Link features a 7:1 safety factor for compliance with industrial and military safety requirements.

Page 214

MSI CLAMP-ON



The MSI Clamp-on load cell is a durable solution for measuring wire rope tension, providing dependable overload detection and prevention for overhead cranes and hoists. Available in two envelopes for accommodating most common wire ropes, 0.375-0.500 inch and 0.5625-0.75 inch, the MSI Clamp-on installs quickly and easily to the wire rope dead end. Weight-based setpoints can be used to communicate with crane electronics providing operator alerts and safety shut offs based on unsafe load conditions.

S-BEAM

RL20000I

Alloy Steel, Environmentally Sealed, NTEP Certified 1:5,000 III/1:10,000 IIII, IP67



APPROVALS



Interchangeable Products

ARTECH®
20210 (1-14 UNF) (15,000 lb thread is 1-12 UNF for Rice Lake model)

Weigh Module Available

RICE LAKE WEIGHING SYSTEMS
ITCM Isolated Tension Cell Mountpage 44

Dimensions

Picture is a representation of actual product

Rated Capacity	A	B	C	D	E
lb/in					
25-300	1/4-28 UNF	0.75	0.50	2.00	2.50
500-1,500	1/2-20 UNF	1.00	0.75	2.00	2.50
2,000-2,500	1/2-20 UNF	1.25	1.00	2.00	2.50
3,000	1/2-20 UNF	1.25	1.00	3.00	4.00
5,000-10,000	3/4-16 UNF	1.25	1.00	3.00	4.00
15,000	1-12 UNF	1.50	1.25	4.00	5.50
20,000	1 1/4-12 UNF	2.25	2.00	5.00	7.00

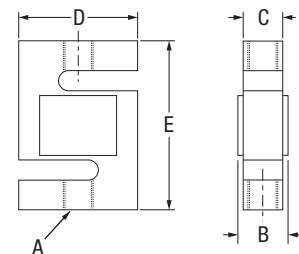
Order Information

Load Rating	Part #	Est. Weight	Price
25 lb	21428	2 lb	\$290.00
50 lb	21429	2 lb	\$290.00
75 lb	21430	2lb	\$290.00
100 lb	21431	2 lb	\$290.00
150 lb	21432	2 lb	\$290.00
200 lb	21433	2 lb	\$290.00
250 lb	21434	2 lb	\$290.00
300 lb	21435	2 lb	\$290.00
500 lb	21436	2 lb	\$290.00
750 lb	21437	2 lb	\$290.00
1,000 lb	21438	2 lb	\$290.00
1,500 lb	21439	2 lb	\$290.00
2,000 lb***	21356	2 lb	\$358.00
2,000 lb	21440	2 lb	\$290.00
2,500 lb	21441	2 lb	\$290.00
3,000 lb	21442	4 lb	\$334.00
5,000 lb***	17044	4 lb	\$505.00
5,000 lb	21443	4 lb	\$466.00
10,000 lb	21444	4 lb	\$466.00
15,000 lb	21445	7 lb	\$588.00
20,000 lb***	17045	17 lb	\$993.00
20,000 lb	21446	17 lb	\$927.00
Conduit Adapter Kit* (must be factory installed to maintain warranty)			
3/8-24 nipple	31533*	1lb	\$37.00
3/8-24 to 1/4-18 NPT	31534*	1lb	\$37.00
Replacement Agriculture Scale Load Cell - 40 ft Cable			
10,000 lb	151746	5 lb	\$493.00

*PN 31533 and PN 31534 must be installed together to form the Conduit Adapter Kit
 ***These load cells have 30ft or 35ft of cable and trimmed outputs and are used in many batch plants

Specifications

- Full Scale Output:** 3.0 mV/V
- Output Resistance:** 350 (± 3) ohm
- Input Resistance:** 385 (± 5) ohm
- Material/Finish:** High-alloy steel, nickel plated
- Temperature:** Compensated range 14° F to 104° F (-10° C to 40° C)
Operating range 0° F to 150° F (-18° C to 65° C)
- Seal Type:** Environmentally sealed, IP67
- Safe Overload:** 150% full scale
- Rated Excitation:** 5-10 VDC (15 V maximum)
- Combined Error:** 0.02% full scale
- Insulation Resistance:** 5,000 megohms
- Cable Length:** 20 ft
- Cable Diameter:** 0.200 in polyurethane jacket
- Cable Color Code:** Red +Excitation
Black -Excitation
Green +Signal
White -Signal
- Warranty:** Two-year limited warranty
- Approvals:** NTEP
cFMus



Stainless Steel, Environmentally Sealed, NTEP Certified 1:10,000 Class III L Single Cell, IP67

Interchangeable Products

VPG® REVERE

9363 page 280

ARTECH®

SS2010 —

Weigh Module Available

RICE LAKE WEIGHING SYSTEMS

ITCM Isolated Tension Cell

Mount page 44

Specifications

Full Scale Output:

3.0 (± 0.008) mV/V

Output Resistance:

350 (± 3.5) ohm

Input Resistance:

390 (± 15) ohm

Material/Finish:

Stainless steel

Temperature:

Compensated range
14°F to 104°F (-10°C to 40°C)
Operating range
0°F to 150°F (-18°C to 65°C)

Seal Type:

Environmentally sealed, IP67

Safe Overload:

150% full scale

Rated Excitation:

5-10 VDC (15 V maximum)

Combined Error:

0.03% full scale

Insulation Resistance:

5,000 megohms

Cable Length:

20 ft

Cable Color Code:

Red +Excitation
Black -Excitation
Green +Signal
White -Signal

Warranty:

Two-year limited warranty

Approvals:

cFMus
NTEP

APPROVALS



Dimensions

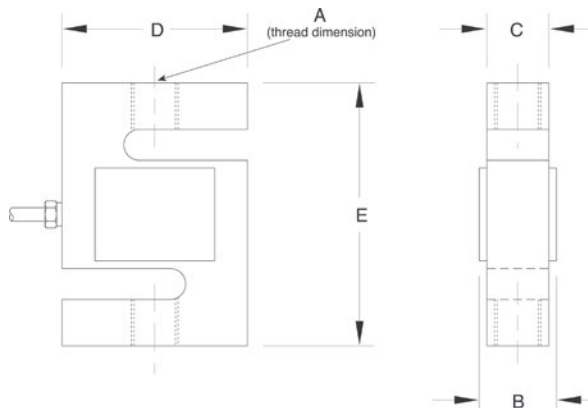
Picture is a representation of actual product

Rated Capacity	A	B	C	D	E
lb/in					
50-300	1/4-28 UNF	0.65	0.46	2.00	2.40
500-1,000	1/2-20 UNF	0.90	0.71	2.00	2.40
2,500	1/2-20 UNF	1.15	0.96	2.00	2.40
3,000	1/2-20 UNF	1.15	0.96	3.00	3.90
5,000	3/4-16 UNF	1.15	0.96	3.00	3.90
10,000	3/4-16 UNF	1.40	1.21	3.00	3.90
15,000	1-14 UNS	1.63	1.46	3.44	5.50
20,000	1 1/4-12 UNF	1.88	1.68	4.44	7.00

Order Information

Load Rating	Part #	Est. Weight	Price
NTEP Certified			
100 lb	46511	2 lb	\$312.00
250 lb	46503	2 lb	\$312.00
300 lb	181826	2 lb	\$312.00
500 lb	46504	2 lb	\$312.00
750 lb	46505	2 lb	\$312.00
1,000 lb	46506	2 lb	\$312.00
2,500 lb	46507	2 lb	\$312.00
3,000 lb	46508	4 lb	\$345.00
5,000 lb	46509	4 lb	\$503.00
10,000 lb	46510	4 lb	\$525.00
Non-NTEP Certified			
50 lb	17013	2 lb	\$312.00
15,000 lb	158375	7 lb	\$715.00
20,000 lb	158376	13 lb	\$948.00
Conduit Adapter Kit* (must be factory installed to maintain warranty)			
3/8-24 nipple	31533*	1 lb	\$37.00
3/8-24 to 1/4-18 NPT	31534*	1 lb	\$37.00

* PN 31533 and PN 31534 must be installed together to form the Conduit Adapter Kit



RL20000ST

Stainless Steel, Environmentally Sealed, NTEP Certified 1:10,000 Class III Single Cell, IP67



APPROVALS



Specifications

- Full Scale Output:**
3.0 mV/V
- Output Resistance:**
350 (±3.5) ohm
- Input Resistance:**
430 (± 60) ohm
- Material/Finish:**
Stainless steel
- Temperature:**
Compensated range
14° F to 104° F (-10° C to 40° C)
Operating range
0° F to 150° F (-18° C to 65° C)
- Seal Type:**
Environmentally sealed, IP67

Dimensions

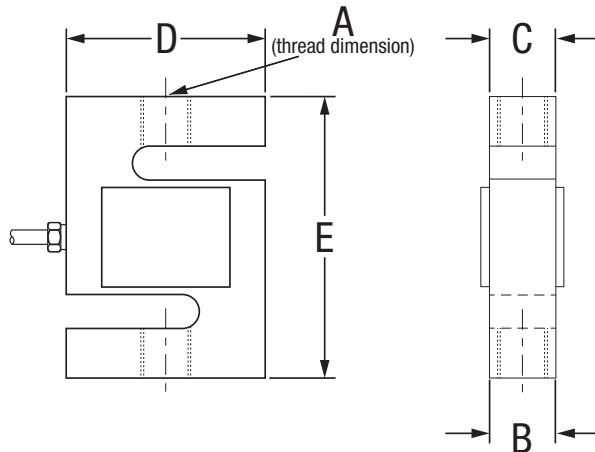
Picture is a representation of actual product

Rated Capacity	A	B	C	D	E
50-300	1/4-28 UNF	0.65	0.46	2.00	2.40
500-1,000	1/2-20 UNF	0.90	0.71	2.00	2.40
1,500-2,500	1/2-20 UNF	1.15	0.96	2.00	2.40
3,000	1/2-20 UNF	1.15	0.96	3.00	3.90
5,000	3/4-16 UNF	1.15	0.96	3.00	3.90

Order Information

Load Rating	Part #	Est. Weight	Price
50 lb	72741	2 lb	\$334.00
100 lb	72742	2 lb	\$334.00
200 lb	72743	2 lb	\$334.00
250 lb	72744	2 lb	\$334.00
300 lb	72745	2 lb	\$334.00
500 lb	72746	2 lb	\$334.00
750 lb	72747	2 lb	\$334.00
1,000 lb	72748	2 lb	\$334.00
1,500 lb	72749	2 lb	\$334.00
2,000 lb	72750	2 lb	\$334.00
2,500 lb	72751	2 lb	\$334.00
3,000 lb	72752	4 lb	\$440.00
5,000 lb	72753	4 lb	\$545.00
Conduit Adapter Kit* (must be factory installed to maintain warranty)			
3/8-24 nipple	31533*	1 lb	\$37.00
3/8-24 to 1/4-18 NPT	31534*	1 lb	\$37.00

*PN 31533 and PN 31534 must be installed together to form the Conduit Adapter Kit.



- Safe Overload:**
150% full scale
- Rated Excitation:**
5-10 VDC (15 V maximum)
- Combined Error:**
0.03% full scale
- Insulation Resistance:**
5,000 megohms
- Cable Length:**
20 ft
- Cable Diameter:**
0.190 in polyurethane jacket
- Cable Color Code:**
Red +Excitation
Black -Excitation
Green +Signal
White -Signal
- Warranty:**
Two-year limited warranty
- Approvals:**
cFMus
NTEP

Alloy Steel, Environmentally Sealed, NTEP Certified Single Cell 1:5,000 III/1:10,000 IIIIL, IP67

Interchangeable Products

VPG® CELTRON

STC..... page 224

VPG® SENSORTRONICS®

60001.....page 311**Weigh Module Available**

RICE LAKE WEIGHING SYSTEMS

ITCM**Isolated Tension Cell****Mount**.....page 44**APPROVALS**

Picture is a representation of actual product

Specifications**Full Scale Output:**

3.0 mV/V

Output Resistance:

350 (± 3) ohm

Input Resistance:

385 (± 5) ohm

Material/Finish:

High-alloy steel, nickel plated

Temperature:

Compensated range

14° F to 104° F (-10° C to 40° C)

Operating range

0° F to 150° F (-18° C to 65° C)

Seal Type:

Environmentally sealed, IP67

Safe Overload:

150% full scale

Rated Excitation:

5-10 VAC/DC (15 V maximum)

Combined Error:

0.02% full scale

Insulation Resistance:

5,000 megohms

Cable Length:

20 ft

Cable Diameter:

0.200 in polyurethane jacket

Cable Color Code:

Red +Excitation

Black -Excitation

Green +Signal

White -Signal

Warranty:

Two-year limited warranty

Approvals:

cFMus

NTEP

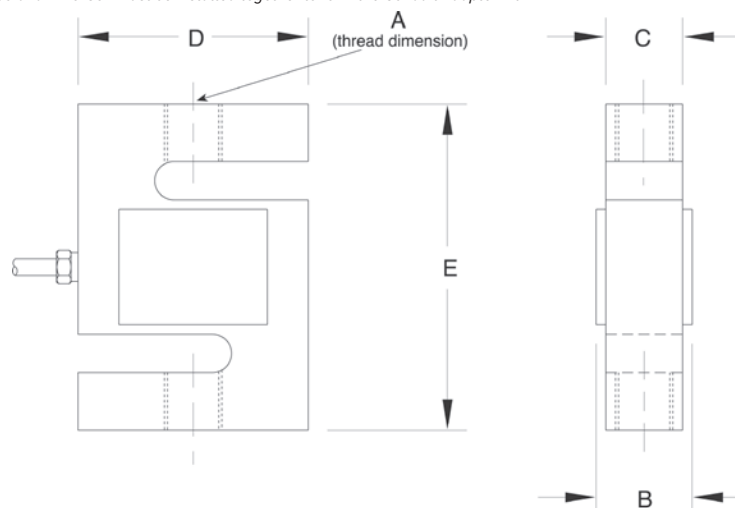
Dimensions

Rated Capacity	A	B	C	D	E
lb/in					
250	3/8-24 UNF	0.75	0.50	2.00	3.00
500-2,000	1/2-20 UNF	1.00	0.75	2.00	3.00
2,500-3,000	1/2-20 UNF	1.25	1.00	2.00	3.00
5,000	3/4-16 UNF	1.25	1.00	3.00	4.25
10,000	3/4-16 UNF	1.25	1.00	3.50	4.75
15,000	1-14 UNS	1.50	1.25	4.00	5.50
20,000	1 1/4-12 UNF	2.25	2.00	5.00	7.00

Order Information

Load Rating	Part #	Est. Weight	Price
250 lb	21402	2 lb	\$290.00
500 lb	21403	2 lb	\$290.00
750 lb	21404	2 lb	\$290.00
1,000 lb	21405	2 lb	\$290.00
1,500 lb	21406	2 lb	\$290.00
2,000 lb	21407	3 lb	\$290.00
2,500 lb	21408	4 lb	\$290.00
3,000 lb	21409	3 lb	\$334.00
5,000 lb	21410	4 lb	\$466.00
10,000 lb	21411	5 lb	\$466.00
15,000 lb	21412	7 lb	\$588.00
20,000 lb	21413	16 lb	\$927.00
Conduit Adapter Kit* (must be factory installed to maintain warranty)			
3/8-24 nipple	31533*	1 lb	\$37.00
3/8-24 to 1/4-18 NPT	31534*	1 lb	\$37.00

*PN 31533 and PN 31534 must be installed together to form the Conduit Adapter Kit



S-BEAM

RL20001HE

Stainless Steel, Welded Seal, NTEP Certified 1:5,000 Class III/1:10,000 Class IIIL Single Cell, IP68



APPROVALS



Interchangeable Products

VPG® SENSORTRONICS®
60063 page 313

Weigh Module Available

RICE LAKE WEIGHING SYSTEMS
ITCM HE Isolated Tension Cell Mount..... page 48

Specifications

Full Scale Output:
2.0 mV/V

Bridge Resistance:
350 ohm, nominal

Material/Finish:
Stainless steel

Temperature:
Compensated range
14°F to 104°F (-10°C to 40°C)
Operating range
0°F to 150°F (-18°C to 65°C)

Seal Type:
Welded-seal, IP68

Safe Overload:
150% full scale

Rated Excitation:
5-10 VDC (15 V maximum)

Combined Error:
0.02% full scale

Insulation Resistance:
5,000 megohms

Cable Length:
20 ft

Cable Diameter:
0.200 in polyurethane jacket

Cable Color Code:
Red +Excitation
Black -Excitation
Green +Signal
White -Signal

Warranty:
Two-year limited warranty

Approvals:
cFMus
NTEP

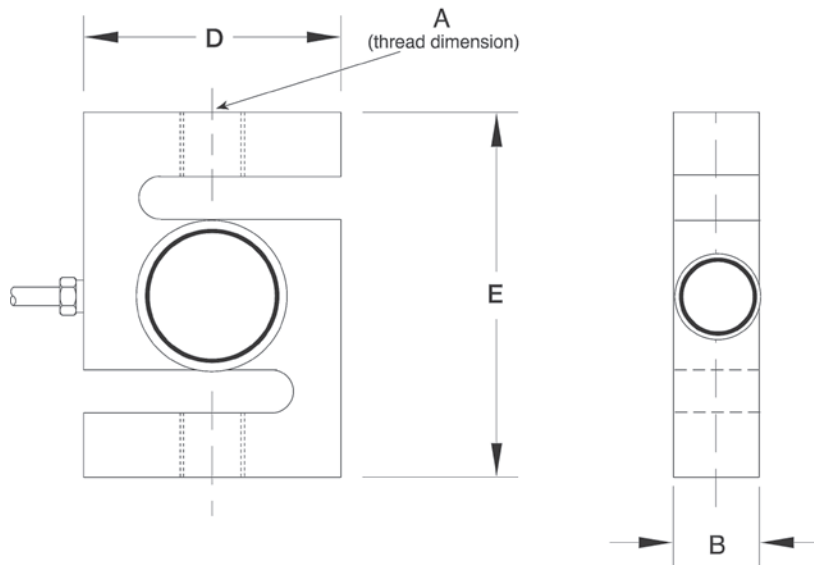
Dimensions

Picture is a representation of actual product

Rated Capacity	A	B	D	E
500-3,000	1/2-20 UNF	1.00	2.00	3.00
5,000-10,000	3/4-16 UNF	1.00	3.50	4.75

Order Information

Load Rating	Part #	Est. Weight	Price
NTEP Certified			
500 lb	46469	2 lb	\$900.00
750 lb	46470	2 lb	\$900.00
1,000 lb	46471	2 lb	\$900.00
1,500 lb	46472	2 lb	\$900.00
2,000 lb	46473	2 lb	\$900.00
2,500 lb	46474	2 lb	\$900.00
3,000 lb	46475	2 lb	\$900.00
5,000 lb	46476	5 lb	\$1,205.00
Non-NTEP Certified			
10,000 lb	36292	5 lb	\$1,205.00



Specifications

Full Scale Output:

3.0 mV/V ±0.25%

Bridge Resistance:

350 ohm, nominal

Material/Finish:

Alloy steel

Temperature:

Operating range
0°F to 150°F (-18°C to 65°C)

Seal Type:

Environmentally sealed, IP67

Safe Overload:

150% full scale

Rated Excitation:

5-10 VAC/DC (15V maximum)

Combined Error:

0.02% full scale

Insulation Resistance:

5,000 megohms

Cable Length:

6 m

Cable Diameter:

0.200 in polyurethane jacket

Cable Color Code:

Red +Excitation
Black -Excitation
Green +Signal
White -Signal

Warranty:

Two-year limited warranty

Approvals:

cFMus
OIML

APPROVALS



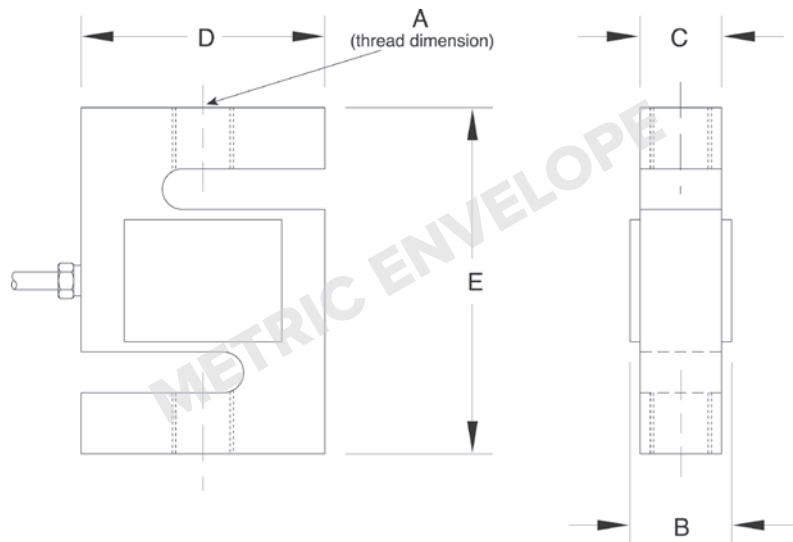
Dimensions

Picture is a representation of actual product

Rated Capacity	A	B	C	D	E
kg/mm					
250-1,000	M12 × 1.75-6H	25.4	19.1	50.8	76.0
2,500	M20 × 1.5-6H	31.8	25.4	76.2	108.0

Order Information

Load Rating	Part #	Est. Weight	Price
250 kg	31254	2 lb	\$312.00
500 kg	31255	2 lb	\$312.00
1,000 kg	31256	2 lb	\$312.00
2,500 kg	31257	3 lb	\$487.00



SINGLE-ENDED BEAM RL32018

Alloy Steel, Environmentally Sealed, NTEP Certified 1:5,000 Class III Multiple Cell, IP66



APPROVALS



Interchangeable Products

VPG® SENSORTRONICS®
65023A..... page 317
 VPG® CELTRON
SQB.....page 227

Weigh Module Available

RICE LAKE WEIGHING SYSTEMS
RL50210TA..... page 50
 RICE LAKE WEIGHING SYSTEMS
RL1800 Series..... page 62

Dimensions

Picture is a representation of actual product

Rated Capacity	A	B	C	D	E	F	G	H	I	J	K	L	M	N
lb/in														
250-500	1.00	0.59	0.96	2.20	1.24	5.12	0.53	0.70	1/2-20 UNF	3.00	1.00	0.62	0.25	0.13
1,000-5,000 SE	1.24	0.59	0.96	2.20	1.24	5.12	0.53	0.70	1/2-20 UNF	3.00	1.00	0.62	0.25	0.13
5,000 LE-10,000	1.50	-	1.45	2.99	1.50	6.75	0.80	0.70	3/4-16 UNF	3.75	1.50	0.75	-	-
15,000-20,000	2.00	-	-	4.00	2.00	8.75	1.06	-	1-14 UNS	4.90	2.00	1.00	-	-

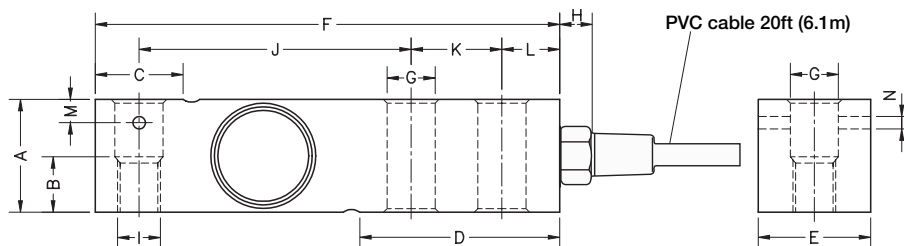
Call Rice Lake for additional information

Order Information

Load Rating	Part #	Est. Weight	Price
NTEP Certified			
1,000 lb	189152	2 lb	\$312.00
1,500 lb	191732	2 lb	\$312.00
2,000 lb	189153	2 lb	\$312.00
2,500 lb	189154	2 lb	\$312.00
3,000 lb	189155	5 lb	\$312.00
4,000 lb	189156	5 lb	\$312.00
5,000 lb SE	189157	5 lb	\$312.00
5,000 lb LE	189158	5 lb	\$398.00
10,000 lb	189159	5 lb	\$398.00
Non-NTEP Certified			
250 lb	189150	2 lb	\$312.00
500 lb*	189151	2 lb	\$312.00
15,000 lb*	189160	10 lb	\$683.00
20,000 lb*	189161	10 lb	\$683.00
With Over Braid Cable			
20,000 lb*	197558	10 lb	\$768.00

SE=small envelope; LE=large envelope

* Pending NTEP



Specifications

Full Scale Output:
 3.0 mV/V ±0.05% current matched

Output Resistance:
 350 (± 3) ohm

Input Resistance:
 400 (± 20) ohm

Material/Finish:
 Alloy steel, nickel plated

Temperature:
 Compensated range
 -14° F to 104° F (-10° C to 40° C)
 Operating range
 0° F to 150° F (-18° C to 65° C)

Seal Type:
 Environmentally sealed, IP66

Safe Overload:
 150% full scale

Safe Sideload:
 100% full scale

Rated Excitation:
 10 VDC (15 V maximum)

Combined Error:
 0.017% full scale

Insulation Resistance:
 >5,000 megohms

Deflection:
 0.2-0.4 mm

Cable Length:
 20 ft

Cable Color Code:
 Red +Excitation
 Black -Excitation
 Green +Signal
 White -Signal

Warranty:
 Two-year limited warranty

Approvals:
 cFMus
 NTEP

NEW

SINGLE-ENDED BEAM

RL32018 Painted

Alloy Steel, Environmentally Sealed, NTEP Certified 1:5,000 Class III Multiple Cell, IP66

Interchangeable Products

- VPG® SENSORTRONICS®
65023A..... page 317
- VPG® CELTRON
SQB.....page 227

Weigh Module Available

- RICE LAKE WEIGHING SYSTEMS
RL50210TA..... page 50
- RICE LAKE WEIGHING SYSTEMS
RL1800 Series..... page 62



APPROVALS



Specifications

- Full Scale Output:**
3.0 mV/V ±0.05% current matched
- Output Resistance:**
350 (± 3) ohm
- Input Resistance:**
400 (± 20) ohm
- Material/Finish:**
Alloy steel, nickel plated, painted
- Temperature:**
Compensated range
-14° F to 104° F (-10° C to 40° C)
Operating range
0° F to 150° F (-18° C to 65° C)

Seal Type:
Environmentally sealed, IP66

Safe Overload:
150% full scale

Safe Sideload:
100% full scale

Rated Excitation:
10 VDC (15 V maximum)

Combined Error:
0.017% full scale

Insulation Resistance:
>5,000 megohms

Deflection:
0.2-0.4 mm

Cable Length:
20 ft

Cable Color Code:
Red +Excitation
Black -Excitation
Green +Signal
White -Signal

Warranty:
Two-year limited warranty

Approvals:
cFMus
NTEP

Dimensions

Picture is a representation of actual product

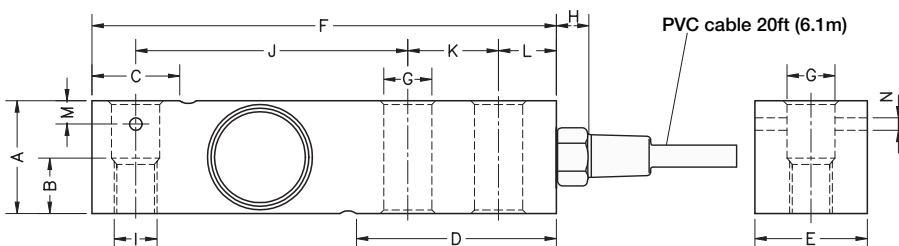
Rated Capacity	A	B	C	D	E	F	G	H	I	J	K	L	M	N
1,000-5,000 SE	1.24	0.59	0.96	2.20	1.24	5.12	0.53	0.70	1/2-20 UNF	3.00	1.00	0.62	0.25	0.13
5,000 LE-10,000	1.50	-	1.45	2.99	1.50	6.75	0.80	0.70	3/4-16 UNF	3.75	1.50	0.75	-	-
15,000-20,000	2.00	-	-	4.00	2.00	8.75	1.06	-	1-14 UNS	4.90	2.00	1.00	-	-

Call Rice Lake for additional information

Order Information

Load Rating	Part #	Est. Weight	Price
NTEP Certified			
1,000 lb	207842	2 lb	\$344.00
1,500 lb	207843	2 lb	\$344.00
2,000 lb	207844	2 lb	\$344.00
2,500 lb	207845	2 lb	\$344.00
3,000 lb	207846	5 lb	\$344.00
4,000 lb	207847	5 lb	\$344.00
5,000 lb SE	207848	5 lb	\$344.00
5,000 lb LE	207850	5 lb	\$434.00
10,000 lb	207851	5 lb	\$434.00
Non-NTEP Certified			
15,000 lb	207852	10 lb	\$715.00
20,000 lb	207853	10 lb	\$715.00

SE=small envelope; LE=large envelope



RICE LAKE WEIGHING SYSTEMS

www.ricelake.com | Phone: 800-472-6703

RICE LAKE

SINGLE-ENDED BEAM RL32018S

Stainless Steel, Environmentally Sealed, NTEP Certified 1:5,000 Class III Multiple Cell, IP66



APPROVALS



Picture is a representation of actual product

Dimensions

Rated Capacity	A	B	C	D	E	F	G	H	I	J	K	L	M	N
250-500	1.00	0.59	0.96	2.20	1.24	5.12	0.53	0.70	1/2-20 UNF	3.00	1.00	0.62	0.25	0.13
1,000-5,000 SE	1.24	0.59	0.96	2.20	1.24	5.12	0.53	0.70	1/2-20 UNF	3.00	1.00	0.62	0.25	0.13
5,000 LE-10,000	1.50	-	1.45	2.99	1.50	6.75	0.80	0.70	3/4-16 UNF	3.75	1.50	0.75	-	-
15,000-20,000	2.00	-	-	4.00	2.00	8.75	1.06	-	1-14 UNS	4.90	2.00	1.00	-	-

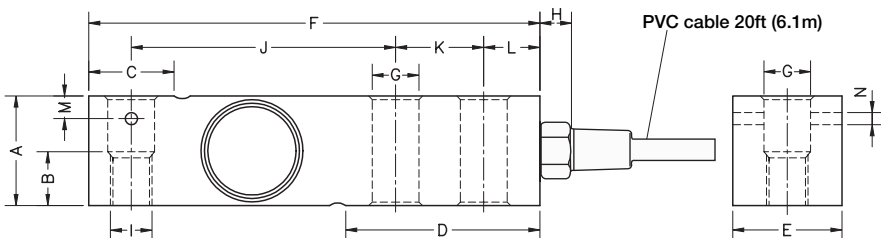
Call Rice Lake for additional information

Order Information

Load Rating	Part #	Est. Weight	Price
NTEP Certified			
1,000 lb	189164	3 lb	\$344.00
2,000 lb	189165	3 lb	\$344.00
2,500 lb	189166	3 lb	\$344.00
4,000 lb	189167	3 lb	\$344.00
5,000 lb SE	189168	3 lb	\$344.00
5,000 lb LE	189169	5 lb	\$440.00
10,000 lb	189170	5 lb	\$440.00
Non-NTEP Certified			
250 lb	189162	3 lb	\$344.00
500 lb*	189163	3 lb	\$344.00
15,000 lb*	189171	10 lb	\$736.00
20,000 lb*	189172	10 lb	\$736.00

SE=small envelope; LE=large envelope

*Pending NTEP



Interchangeable Products

RICE LAKE WEIGHING SYSTEMS	
RL35023S	page 148
VPG® SENSORTRONICS®	
65023S	page 319
VPG® SENSORTRONICS®	
65023SS	page 318
VPG® CELTRON	
SQB-HSS	page 228

Weigh Module Available

RICE LAKE WEIGHING SYSTEMS	
RL50210TA	page 50
RICE LAKE WEIGHING SYSTEMS	
RL1800 Series	page 62

Specifications

Full Scale Output:
3.0 mV/V ±0.05% current matched

Output Resistance:
350 (± 3) ohm

Input Resistance:
400 (± 20) ohm

Material/Finish:
Stainless steel

Temperature:
Compensated range:
14° F to 104° F (-10° C to 40° C)
Operating range:
0° F to 150° F (-18° C to 65° C)

Seal Type:
Environmentally sealed, IP66

Safe Overload:
150% full scale

Rated Excitation:
10 VDC (15 V maximum)

Combined Error:
0.017% full scale

Insulation Resistance:
>5,000 megohms

Deflection:
0.2-0.4 mm

Cable Length:
20 ft

Cable Color Code:
Red +Excitation
Black -Excitation
Green +Signal
White -Signal

Warranty:
Two-year limited warranty

Approvals:
cFMus
NTEP

SINGLE-ENDED BEAM RL32018S-P

Stainless Steel, Hermetically Sealed, IP69K

Interchangeable Products

RICE LAKE WEIGHING SYSTEMS

RL32018S-HE..... page 138

VPG® SENSORTRONICS®

65083..... page 320

VPG® CELTRON

SQB-HSS..... page 228

Weigh Module Available

RICE LAKE WEIGHING SYSTEMS

RL1800 Series..... page 62



APPROVALS



Specifications

Full Scale Output:

3.0 mV/V ±0.05% current matched

Output Resistance:

350 (± 3) ohm

Input Resistance:

400 (± 20) ohm

Material/Finish:

Stainless steel

Temperature:

Compensated range:

-14° F to 104° F (-10° C to 40° C)

Operating range:

0° F to 150° F (-18° C to 65° C)

Seal Type:

Hermetically sealed, IP69K

Safe Overload:

150% full scale

Safe Sideload:

100% full scale

Rated Excitation:

10 VDC (15 V maximum)

Combined Error:

0.017% full scale

Insulation Resistance:

>5,000 megohms

Deflection:

0.2-0.4 mm

Cable Length:

20 ft PTFE cable

Cable Color Code:

Red +Excitation

Black -Excitation

Green +Signal

White -Signal

Warranty:

Two-year limited warranty

Approvals:

cFMus

Dimensions

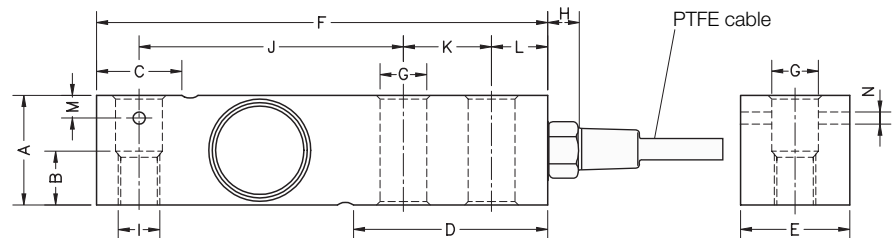
Picture is a representation of actual product

Rated Capacity	A	B	C	D	E	F	G	H	I	J	K	L	M	N
lb/in														
1,000-5,000 SE	1.24	0.59	0.96	2.20	1.25	5.12	0.53	0.70	1/2-20 UNF	3.00	1.00	0.62	0.25	0.13
5,000 LE-10,000	1.50	-	1.45	2.99	1.50	6.75	0.80	0.70	3/4-16 UNF	3.75	1.50	0.75	-	-

Order Information

Load Rating	Part #	Est. Weight	Price
1,000 lb	190654	3 lb	\$371.00
2,000 lb	190655	3 lb	\$371.00
2,500 lb	190656	3 lb	\$371.00
4,000 lb	190657	3 lb	\$371.00
5,000 lb SE	190658	3 lb	\$371.00
5,000 lb LE	190659	5 lb	\$418.00
10,000 lb	190660	5 lb	\$418.00

SE=small envelope; LE=large envelope



SINGLE-ENDED BEAM

RL32018S-HE

Stainless Steel, Hermetically Sealed, NTEP Certified 1:5,000 Class III Multiple Cell, IP69K



APPROVALS



Interchangeable Products

- RICE LAKE WEIGHING SYSTEMS
- RL32018S-P** (non-NTEP) . page 137
- VPG® SENSORTRONICS®
- 65083**..... page 320
- VPG® CELTRON
- SQB-HSS**..... page 228

Weigh Module Available

- RICE LAKE WEIGHING SYSTEMS
- RL1800 Series**..... page 62

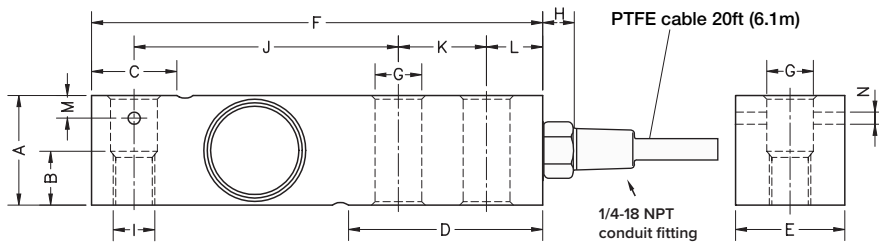
Dimensions

Picture is a representation of actual product

Rated Capacity	A	B	C	D	E	F	G	H	I	J	K	L	M	N
lb/in														
1,000-4,000	1.24	0.59	0.96	2.20	1.24	5.12	0.53	0.70	1/2-20 UNF	3.00	1.00	0.62	0.25	0.13
5,000-10,000	1.50	0.75	1.45	2.99	1.50	6.75	0.80	0.70	3/4-16 UNF	3.75	1.50	0.75	-	-

Order Information

Load Rating	Part #	Est. Weight	Price
1,000 lb	189176	3 lb	\$429.00
2,000 lb	189178	3 lb	\$429.00
2,500 lb	189179	3 lb	\$429.00
4,000 lb	189181	3 lb	\$429.00
4,000 lb	208667	3 lb	\$429.00
5,000 lb	189182	5 lb	\$477.00
10,000 lb	189183	5 lb	\$477.00



Specifications

- Full Scale Output:**
3.0 mV/V ±0.05% current matched
- Output Resistance:**
350 (± 3) ohm
- Input Resistance:**
400 (± 20) ohm
- Material/Finish:**
Stainless steel
- Temperature:**
Compensated range
14° F to 104° F (-10° C to 40° C)
Operating range
0° F to 200° F (-18° C to 93° C)
- Seal Type:**
Hermetically sealed, IP69K
- Safe Overload:**
150% full scale
- Safe Sideload:**
100% full scale
- Rated Excitation:**
5-10 VDC (15 V maximum)
- Combined Error:**
0.017% full scale
- Insulation Resistance:**
>5,000 megohms
- Cable Length:**
20 ft PTFE cable
- Cable Color Code:**
Red +Excitation
Black -Excitation
Green +Signal
White -Signal
- Warranty:**
Two-year limited warranty
- Approvals:**
cFMus
NTEP

Stainless Steel, Hermetically Sealed, NTEP Certified 1:5,000 Class III Multiple Cell, IP69K

Interchangeable Products

RICE LAKE WEIGHING SYSTEMS

RL35082..... —

VPG® SENSORTRONICS®

65083S (20 ft cable) page 321

Specifications

Full Scale Output:

2.0 mV/V ±0.05% current matched

Output Resistance:

350 (± 3) ohm

Input Resistance:

400 (± 20) ohm

Material/Finish:

Stainless steel

Temperature:

Compensated range
 14° F to 104° F (-10° C to 40° C)
 Operating range
 0° F to 200° F (-18° C to 93° C)

Seal Type:

Hermetically sealed, IP69K

Safe Overload:

150% full scale

Rated Excitation:

5-10 VDC (15 V maximum)

Combined Error:

0.017% full scale

Insulation Resistance:

>5,000 megohms

Deflection:

0.2-0.4 mm

Cable Length:

30 ft PTFE cable

Cable Color Code:

Red +Excitation
 Black -Excitation
 Green +Signal
 White -Signal

Warranty:

Two-year limited warranty

Approvals:

cFMus
 NTEP

APPROVALS



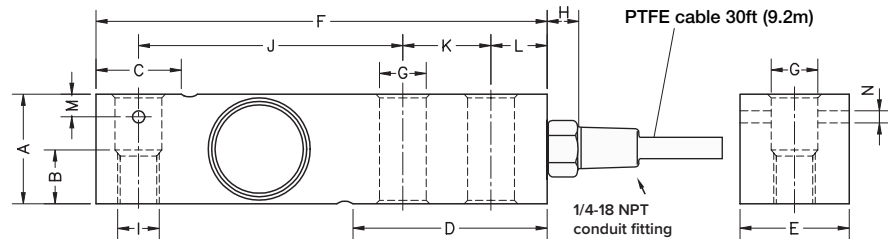
Dimensions

Picture is a representation of actual product

Rated Capacity	A	B	C	D	E	F	G	H	I	J	K	L	M	N
lb/in														
1,000-4,000	1.24	0.59	0.96	2.20	1.24	5.12	0.53	0.70	1/2-20 UNF	3.00	1.00	0.62	0.25	0.13
5,000-10,000	1.50	0.75	1.45	2.99	1.50	6.75	0.80	0.70	3/4-16 UNF	3.75	1.50	0.75	-	-

Order Information

Load Rating	Part #	Est. Weight	Price
1,000 lb	191629	4 lb	\$482.00
2,500 lb	191630	4 lb	\$482.00
4,000 lb	191631	4 lb	\$482.00
4,000 lb	208668	4 lb	\$482.00
5,000 lb	191632	6 lb	\$535.00
10,000 lb	191633	6 lb	\$535.00



RL32218S-HE

Stainless Steel, Hermetically Sealed, NTEP Certified 1:5,000 Class III Multiple Cell, IP69K



APPROVALS



Interchangeable Products

RICE LAKE WEIGHING SYSTEMS
RL35082..... —
 VPG® SENSORTRONICS®
65083S..... page 321

Weigh Module Available

RICE LAKE WEIGHING SYSTEMS
RL50210TA..... page 50
 RICE LAKE WEIGHING SYSTEMS
RL1800 Series..... page 62

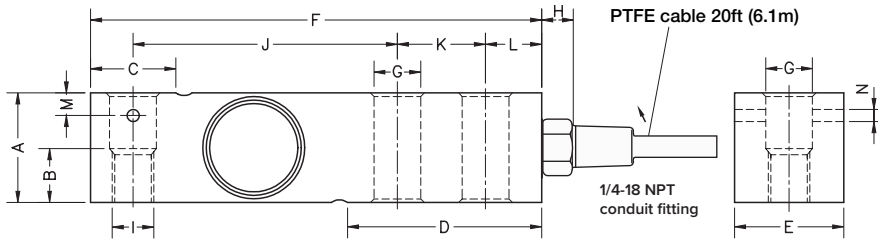
Dimensions

Picture is a representation of actual product

Rated Capacity	A	B	C	D	E	F	G	H	I	J	K	L	M	N
1,000-4,000	1.24	0.59	0.96	2.20	1.24	5.12	0.53	0.70	1/2-20 UNF	3.00	1.00	0.62	0.25	0.13
5,000-10,000	1.50	0.75	1.45	2.99	1.50	6.75	0.80	0.70	3/4-16 UNF	3.75	1.50	0.75	-	-

Order Information

Load Rating	Part #	Est. Weight	Price
1,000 lb	191634	3 lb	\$429.00
2,500 lb	191635	3 lb	\$429.00
4,000 lb	191636	3 lb	\$429.00
4,000 lb	208669	3 lb	\$429.00
5,000 lb	191637	5 lb	\$477.00
10,000 lb	191638	5 lb	\$477.00



Specifications

Full Scale Output:
2.0 mV/V ±0.05% current matched

Output Resistance:
350 (± 3) ohm

Input Resistance:
400 (± 20) ohm

Material/Finish:
Stainless steel

Temperature:
Compensated range:
14° F to 104° F (-10° C to 40° C)
Operating range:
0° F to 200° F (-18° C to 93°

Seal Type:
Hermetically sealed, IP69K

Safe Overload:
150% full scale

Rated Excitation:
5-10 VDC (15 V maximum)

Combined Error:
0.017% full scale

Insulation Resistance:
>5,000 megohms

Cable Length:
20 ft PTFE cable

Cable Color Code:
Red +Excitation
Black -Excitation
Green +Signal
White -Signal

Warranty:
Two-year limited warranty

Approvals:
cFMus
NTEP

Stainless Steel, Hermetically Sealed, NTEP Certified 1:4,000S/1:5,000M, OIML C3, IP68/IP69K

Interchangeable Products

RICE LAKE WEIGHING SYSTEMS
RLHBB.....—
 VPG® TEDEA®
355..... page 345

APPROVALS



Specifications

Full Scale Output:
 2.0 mV/V ±10% current matched

Output Resistance:
 350 (± 3) ohm

Input Resistance:
 400 (± 20) ohm

Material/Finish:
 Stainless steel

Temperature:
 Compensated range:
 14° F to 104° F (-10° C to 40° C)
 Operating range:
 0° F to 150° F (-18° C to 65° C)

Seal Type:
 Hermetically sealed, IP68/IP69K

Safe Overload:
 150% full scale

Rated Excitation:
 5-10 VDC (15 V maximum)

Combined Error:
 0.017% full scale

Insulation Resistance:
 >5,000 megohms

Deflection:
 0.2-0.4 mm

Cable Length:
 3 m

Cable Material:
 PVC

Cable Color Code:
 Blue +Excitation
 Black -Excitation
 White +Signal
 Red -Signal
 Green +Sense
 Yellow -Sense

Warranty:
 Two-year limited warranty

Approvals:
 cFMus
 NTEP
 OIML

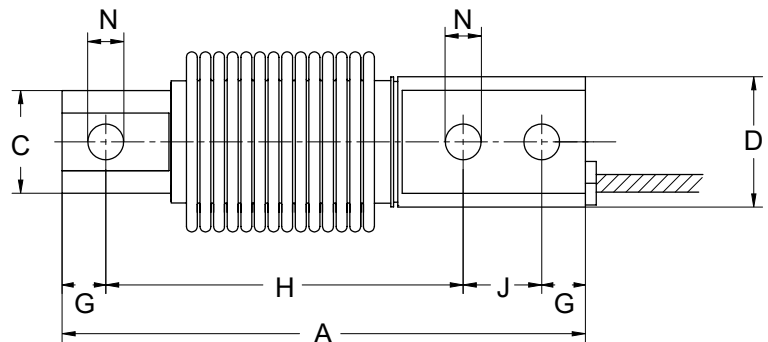
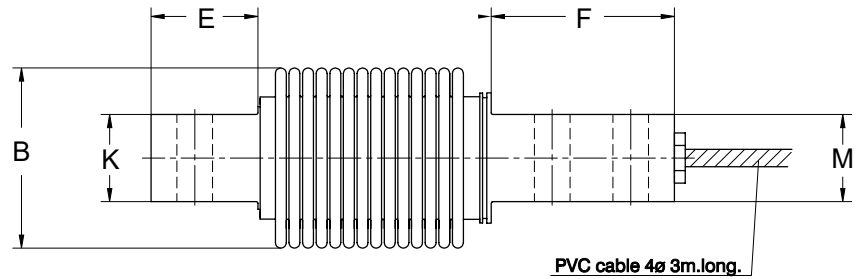
Dimensions

Picture is a representation of actual product

Rated Capacity	A	B	C	D	E	F	G	H	J	K	M	N
kg/mm												
5-500	120.0	41.5	23.5	30.0	24.5	42.0	10.0	82.0	18.0	20.0	20.0	8.2

Order Information

Load Rating	Part #	Est. Weight	Price
NTEP Certified			
5 kg	188691	2 lb	\$524.00
10 kg	188692	2 lb	\$524.00
20 kg	188693	2 lb	\$524.00
30 kg	188694	2 lb	\$524.00
50 kg	188702	2 lb	\$524.00
75 kg	188695	2 lb	\$524.00
100 kg	188696	2 lb	\$524.00
200 kg	188697	2 lb	\$524.00
250 kg	188698	2 lb	\$524.00
300 kg	188699	2 lb	\$524.00
500 kg	188700	2 lb	\$524.00



SINGLE-ENDED BEAM RL30000I

Alloy Steel, Environmentally Sealed, NTEP Certified 1:5,000 III L Class III Multiple Cell, IP67



APPROVALS



Interchangeable Products

VPG® REVERE	
5123	page 282
VPG® TEDEA-HUNTLEIGH	
3411	page 342
ARTECH®	
30310	—

Weigh Module Available

RICE LAKE WEIGHING SYSTEMS	
RL50210TA	page 50
RICE LAKE WEIGHING SYSTEMS	
RL1800 Series	page 62

Dimensions

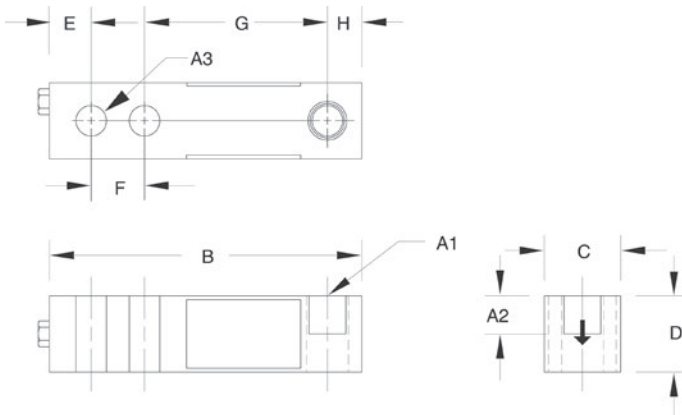
Picture is a representation of actual product

Rated Capacity	A1	A2	A3	B	C	D	E	F	G	H
lb/in										
250-5,000 SE	1/2-20 UNF	0.60	0.53	5.12	1.25	1.25	0.62	1.00	3.00	0.50
5,000 LE-10,000	3/4-16 UNF	0.75	0.78	6.75	1.50	1.50	0.75	1.50	3.75	0.75
20,000	1-14 UNF	1.00	1.03	8.75	2.00	2.00	1.00	2.00	4.75	1.00

Order Information

Load Rating	Part #	Est. Weight	Price
NTEP Certified			
1,000 lb	21491	3 lb	\$312.00
2,000 lb	21493	3 lb	\$312.00
2,500 lb	21495	3 lb	\$312.00
3,000 lb	21497	3 lb	\$312.00
4,000 lb	21498	3 lb	\$312.00
5,000 lb SE	21500	3 lb	\$312.00
5,000 lb LE	21501	5 lb	\$398.00
10,000 lb	21503	5 lb	\$398.00
Non-NTEP Certified			
250 lb	17341	3 lb	\$312.00
500 lb	17342	3 lb	\$312.00
20,000 lb	17109	10 lb	\$684.00
Conduit Adapter Kit (must be factory installed to maintain warranty)			
3/8-24 nipple	31533	1 lb	\$37.00
3/8-24 to 1/4-18 NPT	31534	1 lb	\$37.00

SE=small envelope; LE=large envelope



Specifications

- Full Scale Output:**
3.0 mV/V
- Bridge Resistance:**
350 ohm, nominal
- Material/Finish:**
High-alloy steel, nickel plated
- Temperature:**
Compensated range
14°F to 104°F (-10°C to 40°C)
Operating range
0°F to 150°F (-18°C to 65°C)
- Seal Type:**
Environmentally sealed, IP67
- Safe Overload:**
150% full scale
- Safe Sideload:**
100% full scale
- Rated Excitation:**
5-10 VAC/DC (15V maximum)
- Combined Error:**
0.02% full scale
- Insulation Resistance:**
5,000 megohms
- Deflection at Capacity:**
250-1,000 lb=0.013 in
2,000-3,000 lb=0.015 in
4,000-5,000 lb=0.025 in
10,000 lb=0.032 in
20,000 lb=0.038 in
- Cable Length:**
20 ft
- Cable Diameter:**
0.200 in polyurethane jacket
- Cable Color Code:**
Red +Excitation
Black -Excitation
Green +Signal
White -Signal
- Warranty:**
Two-year limited warranty
- Approvals:**
cFMus
NTEP

RL30002 Thru Hole

Alloy Steel, Environmentally Sealed, NTEP Certified 1:5,000 III L Class III Multiple Cell, IP67

Interchangeable Products

VPG® TEDEA-HUNTLEIGH

3410.....—

ARTECH®

30210.....—

Specifications

Full Scale Output:
3.0 mV/V

Bridge Resistance:
350 ohm, nominal

Material/Finish:
High-alloy steel, nickel plated

Temperature:
Compensated range
14°F to 104°F (-10°C to 40°C)
Operating range
0°F to 150°F (-18°C to 65°C)

Seal Type:
Environmentally sealed, IP67

Safe Overload:
150% full scale

Safe Sideload:
100% full scale

Rated Excitation:
5-10 VDC (15 V maximum)

Combined Error:
0.02% full scale

Insulation Resistance:
5,000 megohms

Deflection at Capacity:
1,000 lb=0.013 in
2,000-3,000 lb=0.015 in
4,000-5,000 lb=0.025 in

Cable Length:
20 ft

Cable Diameter:
0.200 in polyurethane jacket

Cable Color Code:
Red +Excitation
Black -Excitation
Green +Signal
White -Signal

Warranty:
Two-year limited warranty

Approvals:
cFMus
NTEP

APPROVALS



Dimensions

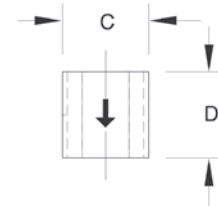
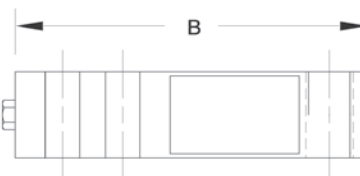
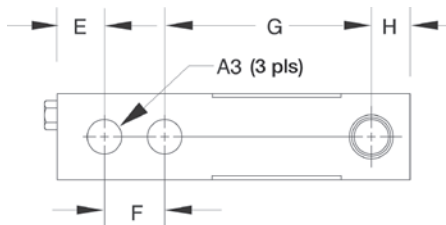
Picture is a representation of actual product

Rated Capacity	A3	B	C	D	E	F	G	H
lb/in								
1,000-5,000 SE	0.53	5.12	1.25	1.25	0.62	1.00	3.00	0.50

Order Information

Load Rating	Part #	Est. Weight	Price
NTEP Certified			
1,000 lb	21521	3 lb	\$312.00
2,000 lb	21522	3 lb	\$312.00
2,500 lb	21523	3 lb	\$312.00
4,000 lb	21524	3 lb	\$312.00
5,000 lb SE	21525	3 lb	\$312.00
Conduit Adapter Kit (must be factory installed to maintain warranty)			
3/8-24 nipple	31533	1 lb	\$37.00
3/8-24 to 1/4-18 NPT	31534	1 lb	\$37.00

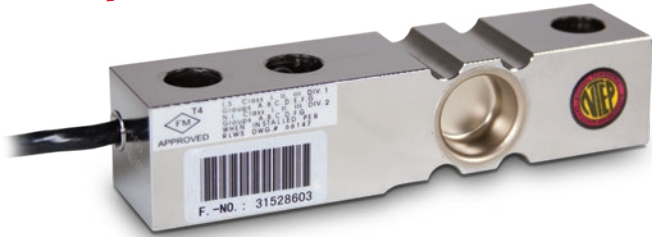
SE=small envelope



RLH35

Stainless Steel, Welded Seal, NTEP Certified 1:5,000 Class III Multiple Cell, IP67

**DISCONTINUED
LIMITED STOCK
AVAILABLE**



APPROVALS



Interchangeable Products

HBM®	
H35page 260
METTLER TOLEDO®	
500 lb-8 ft cable -
TB601019-008	
1,000 lb-20 ft cable -
TB601016-020	
2,500 lb-8 ft cable -
TB601016-008	

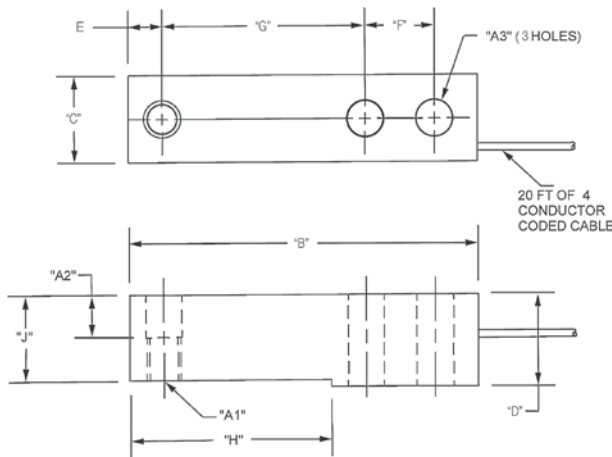
Dimensions

Picture is a representation of actual product

Rated Capacity	A1	A2	A3	C	D	B	E	F	G	H	J
lb/in											
500-5,000	1/2-20 UNF	0.62	0.53	1.21	1.19	5.12	0.50	1.00	3.00	2.85	1.120

Order Information

Load Rating	Part #	Est. Weight	Price
500 lb	106038	4 lb	\$371.00
5,000 lb	106042	4 lb	\$350.00



Specifications

- Full Scale Output:**
3.0 mV/V
- Output Resistance:**
350 ohm, nominal
- Input Resistance:**
385 ohm, nominal
- Material/Finish:**
Stainless steel
- Temperature:**
Compensated range:
14° F to 104° F (-10° C to 40° C)
Operating range:
0° F to 150° F (-18° C to 65° C)
- Seal Type:**
Welded-seal, IP67
- Safe Overload:**
150% full scale
- Rated Excitation:**
5-10 VDC (15 V maximum)
- Combined Error:**
0.02% full scale
- Insulation Resistance:**
5,000 megohms
- Deflection at Capacity:**
0.02 in
- Cable Length:**
20 ft
- Cable Diameter:**
0.190 in polyurethane jacket
- Cable Color Code:**
Green +Excitation
Black -Excitation
White +Signal
Red -Signal
Yellow Shield
- Warranty:**
Two-year limited warranty
- Approvals:**
FM
NTEP

Interchangeable Products

- VPG® REVERE
9123..... page 283
- ARTECH®
SS30310..... —

Weigh Module Available

- RICE LAKE WEIGHING SYSTEMS
RL50210TA..... page 50
- RICE LAKE WEIGHING SYSTEMS
RL1800 Series..... page 62



APPROVALS



Dimensions

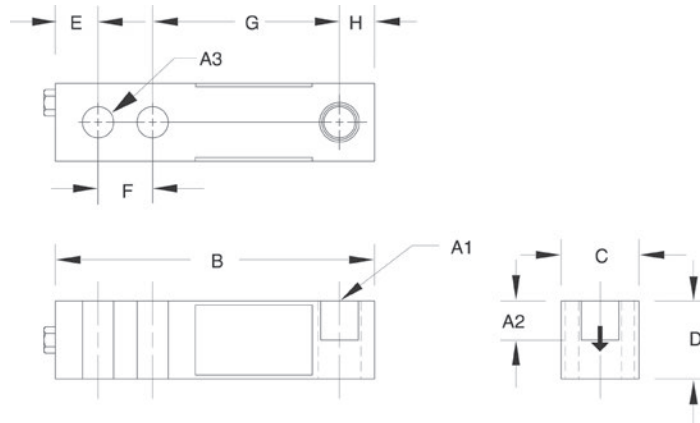
Picture is a representation of actual product

Rated Capacity	A1	A2	A3	B	C	D	E	F	G	H
lb/in										
250-4,000	1/2-20 UNF	0.60	0.53	5.12	1.25	1.25	0.62	1.00	3.00	0.50
5,000-10,000	3/4-16 UNF	0.75	0.78	6.75	1.50	1.50	0.75	1.50	3.75	0.75

Order Information

Load Rating	Part #	Est. Weight	Price
20 ft Cables			
250 lb	17386	3 lb	\$344.00
500 lb	17387	3 lb	\$344.00
1,000 lb	17189	3 lb	\$344.00
2,500 lb	17191	3 lb	\$344.00
4,000 lb	17193	3 lb	\$344.00
5,000 lb	17194	5 lb	\$439.00
10,000 lb	17195	5 lb	\$439.00
30 ft Cables			
4,000 lb	95562	3 lb	\$365.00
Conduit Adapter Kit (must be factory installed to maintain warranty)			
3/8-24 nipple	31533*	1 lb	\$37.00
3/8-24 to 1/4-18 NPT	31534*	1 lb	\$37.00

** PN 31533 and PN 31534 must be installed together to form the Conduit Adapter Kit*



Specifications

- Full Scale Output:**
3.0 mV/V
- Output Resistance:**
349-355 ohm
- Input Resistance:**
343-357 ohm
- Material/Finish:**
Stainless steel
- Temperature:**
Operating range:
0° F to 150° F (-18° C to 65° C)
- Seal Type:**
Environmentally sealed, IP67
- Safe Overload:**
150% full scale
- Safe Sideload:**
100% full scale
- Rated Excitation:**
5-10 VDC (15 V maximum)
- Nonlinearity:**
0.03% full scale
- Hysteresis:**
0.02% full scale

Insulation Resistance:
5,000 megohms

Deflection at Capacity:
250-1,000 lb=0.013 in
2,000-3,000 lb=0.015 in
4,000-5,000 lb=0.025 in
10,000 lb=0.32 in

Cable Length:
20 ft
30 ft

Cable Diameter:
0.200 in polyurethane jacket

Cable Color Code:
Red +Excitation
Black -Excitation
Green +Signal
White -Signal

Warranty:
Two-year limited warranty

Approvals:
cFMus

RL32018S-T

Stainless Steel, Hermetically Sealed, NTEP Certified, 1:5,000 Class III Multiple Cell, IP69K



APPROVALS



Interchangeable Products

- METTLER-TOLEDO®
TB600529-500 lb..... —
- METTLER-TOLEDO
TB600363-1,250 lb..... —
- METTLER-TOLEDO
TB600342-2,500 lb..... —
- METTLER-TOLEDO
TB600343-5,000 lb..... —
- METTLER-TOLEDO
TB600364-10,000 lb..... —
- HBM®
THC..... —

Weigh Module Available

- RICE LAKE WEIGHING SYSTEMS
RLTM..... page 68

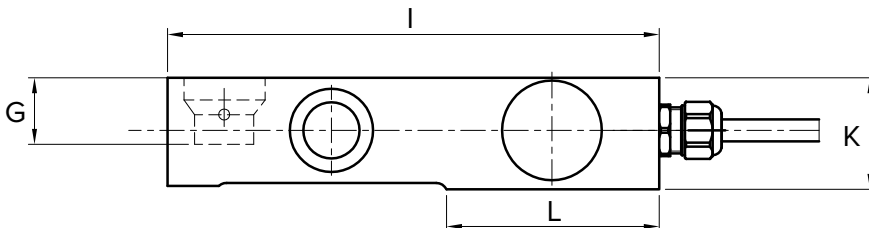
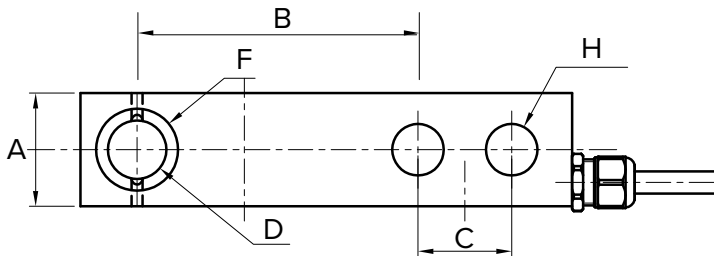
Dimensions

Picture is a representation of actual product

Rated Capacity	A	B	C	D	F	G	H	I	K	L
500-1,250	1.21	3.00	1.00	0.62	0.88	0.68	0.51	5.25	1.19	2.27
2,500	1.21	3.00	1.00	0.62	0.88	0.68	0.51	5.25	1.19	2.27
5,000	1.44	3.00	1.00	0.62	0.88	0.90	0.51	5.38	1.44	2.28
10,000	1.69	3.75	1.50	0.88	1.38	1.15	0.76	6.75	1.69	2.91

Order Information

Load Rating	Part #	Est. Weight	Price
15 ft Cable			
500 lb	189189	3 lb	\$477.00
1,250 lb	189190	3 lb	\$477.00
2,500 lb	189191	3 lb	\$477.00
5,000 lb	189192	5 lb	\$630.00
10,000 lb	189193	5 lb	\$758.00
30 ft Cable			
500 lb	191974	3 lb	\$503.00
1,250 lb	191975	3 lb	\$503.00
2,500 lb	191976	3 lb	\$503.00
5,000 lb	191977	5 lb	\$662.00
10,000 lb	191978	5 lb	\$790.00
Replacement load pins			
Rocker pin	108612	1 lb	\$85.00
Rocker pin	130408	1 lb	\$90.00
Rocker pin	131376	1 lb	\$130.00
O-ring (two per pin)	108202	1 lb	\$1.00



Specifications

Full Scale Output:
2.0 mV/V ±0.05% current matched

Output Resistance:
350 (± 3) ohm

Input Resistance:
400 (± 20) ohm

Material/Finish:
Stainless steel

Temperature:
Compensated range
14° F to 104° F (-10° C to 40° C)
Operating range
0° F to 150° F (-18° C to 65° C)

Seal Type:
Hermetically sealed, IP69K

Safe Overload:
150% full scale

Rated Excitation:
5-10 VDC

Combined Error:
0.017% full scale

Insulation Resistance:
5,000 megohms

Cable Length:
15 ft
30 ft

Cable Color Code:
Green +Excitation
Black -Excitation
White +Signal
Red -Signal

Warranty:
Two-year limited warranty

Approvals:
cFMus
NTEP

Stainless Steel, Welded Seal, NTEP Certified 1:5,000 Class III Multiple, IP67

**DISCONTINUED
 LIMITED STOCK
 AVAILABLE**

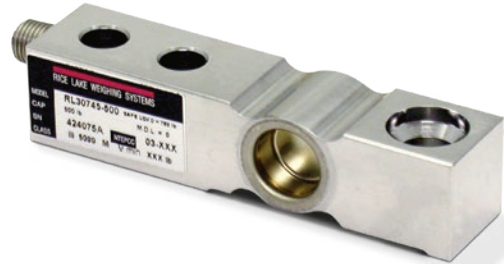
Interchangeable Products

- METTLER-TOLEDO®
TB600529-500 lb..... —
- METTLER-TOLEDO
TB600363-1,250 lb..... —
- METTLER-TOLEDO
TB600342-2,500 lb..... —
- METTLER-TOLEDO
TB600343-5,000 lb..... —
- METTLER-TOLEDO
TB600364-10,000 lb..... —
- HBM®
THC..... —

Weigh Module Available

- RICE LAKE WEIGHING SYSTEMS
RLTM..... page 68

APPROVALS



Picture is a representation of actual product

Dimensions

Rated Capacity	A	B	C	D	E	F	G	H	I	K	L
lb/in											
500-2,500	1.20	3.00	1.00	0.63	0.68	0.88	0.19	0.50	5.25	1.22	2.27
5,000	1.46	3.00	1.00	0.63	0.92	0.88	0.38	0.50	5.38	1.40	2.28
10,000	1.68	3.75	1.50	0.88	1.06	1.38	0.44	0.75	6.87	1.68	3.03

Specifications

- Full Scale Output:**
 2.0 mV/V, ±0.002 mV/V
- Bridge Resistance:**
 350 ohm, nominal
- Material/Finish:**
 Stainless steel
- Temperature:**
 Compensated range
 14°F to 104°F (-10°C to 40°C)
 Operating range
 0° F to 150° F (-18° C to 65° C)

- Seal Type:**
 Welded-seal, IP67
- Safe Overload:**
 150% full scale
- Safe Sideload:**
 100% full scale
- Rated Excitation:**
 5-10 VDC (15 V maximum)
- Combined Error:**
 0.03%

- Non-repeatability:**
 0.01% full scale
- Insulation Resistance:**
 5,000 megohms
- Cable Length:**
 30 ft
- Cable Diameter:**
 0.190 in polyurethane jacket
- Deflection at Capacity:**
 500-2,500 lb=0.010 in
 5,000-10,000 lb=0.012 in

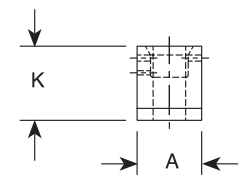
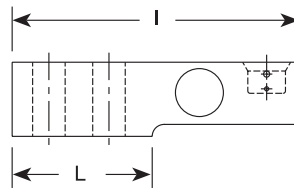
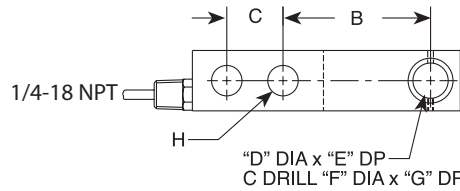
- Cable Color Code:**
 Green +Excitation
 Black -Excitation
 White +Signal
 Red -Signal
 Yellow Shield

- Warranty:**
 Two-year limited warranty

- Approvals:**
 FM
 NTEP

Order Information

Load Rating	Part #	Est. Weight	Price
30 ft Cables			
500 lb	76213	3 lb	\$525.00
10,000 lb	45466	6 lb	\$790.00
Replacement load pins			
Rocker pin	108612	1 lb	\$85.00
Rocker pin	130408	1 lb	\$90.00
Rocker pin	131376	1 lb	\$130.00
O-ring (Two per pin)	108202	1 lb	\$1.00



SINGLE-ENDED BEAM

RL35023S Painted

Stainless Steel, Environmentally Sealed, NTEP Certified 1:5,000 Class III Multiple Cell, IP67



APPROVALS



Interchangeable Products

- VPG® SENSORTRONICS®
65023S* page 319
- VPG® SENSORTRONICS
65023SS* page 318
- VPG® CELTRON
SQB-HSS* page 228

Weigh Module Available

- RICE LAKE WEIGHING SYSTEMS
RL50210TA..... page 50
- RICE LAKE WEIGHING SYSTEMS
RL1800 Series..... page 62

*Cells are unpainted

Dimensions

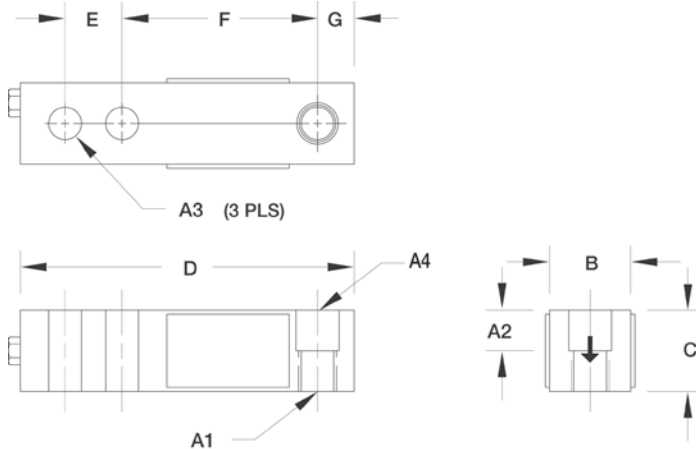
Picture is a representation of actual product

Rated Capacity	A1	A2	A3	A4	B	C	D	E	F	G
lb/in										
1,000-4,000	1/2-20 UNF	0.62	0.53	0.53 dia	1.25	1.25	5.12	1.00	3.00	0.50
5,000-10,000	3/4-16 UNF	0.75	0.78	0.78 dia	1.50	1.50	6.75	1.50	3.75	0.75

Order Information

Load Rating	Part #	Est. Weight	Price
1,000 lb	182754	3 lb	\$371.00
2,000 lb	182755	3 lb	\$371.00
2,500 lb	182756	3 lb	\$371.00
4,000 lb	182757	3 lb	\$371.00
5,000 lb	182758	3 lb	\$466.00
10,000 lb	182759	3 lb	\$466.00
Conduit Adapter Kit (must be factory installed to maintain warranty)			
3/8-24 nipple	31533*	1 lb	\$37.00
3/8-24 to 1/4-18 NPT	31534*	1 lb	\$37.00

* PN 31533 and PN 31534 must be installed together to form the Conduit Adapter Kit



Specifications

- Full Scale Output:**
3.0 mV/V
- Output Resistance:**
349-355 ohm
- Input Resistance:**
343-357 ohm
- Material/Finish:**
Stainless steel, painted
- Temperature:**
Compensated range
14°F to 104°F (-10°C to 40°C)
Operating range
0° F to 150° F (-18° C to 65° C)
- Seal Type:**
Environmentally sealed, IP67
- Safe Overload:**
150% full scale
- Safe Sideload:**
100% full scale
- Rated Excitation:**
5-10 VDC (15 V maximum)
- Combined Error:**
0.02% full scale
- Deflection at Capacity:**
500-4,000 lb=0.017-0.025 in
5,000-10,000 lb=0.025-0.035 in
- Cable Length:**
20 ft
- Cable Diameter:**
0.200 in polyurethane jacket
- Cable Color Code:**
Red +Excitation
Black -Excitation
Green +Signal
White -Signal
- Insulation Resistance:**
5,000 megohms
- Warranty:**
Two-year limited warranty
- Approvals:**
cFMus
NTEP

Specifications

Full Scale Output:
3.0 mV/V

Output Resistance:
349-355 ohm

Input Resistance:
343-357 ohm

Material/Finish:
Alloy steel

Temperature:
Operating range
0°F to 150°F (-18°C to 65°C)

Seal Type:
Environmentally sealed, IP67

Safe Overload:
150% full scale

Safe Sideload:
100% full scale

Rated Excitation:
5-10 VDC (15 V maximum)

Combined Error:
0.03% full scale

Insulation Resistance:
5,000 megohms

Cable Length:
6 m

Cable Diameter:
0.200 in polyurethane jacket

Cable Color Code:

Red +Excitation
Black -Excitation
Green +Signal
White -Signal

Warranty:
Two-year limited warranty

Approvals:
cFMus
OIML

**DISCONTINUED
LIMITED STOCK
AVAILABLE**

APPROVALS



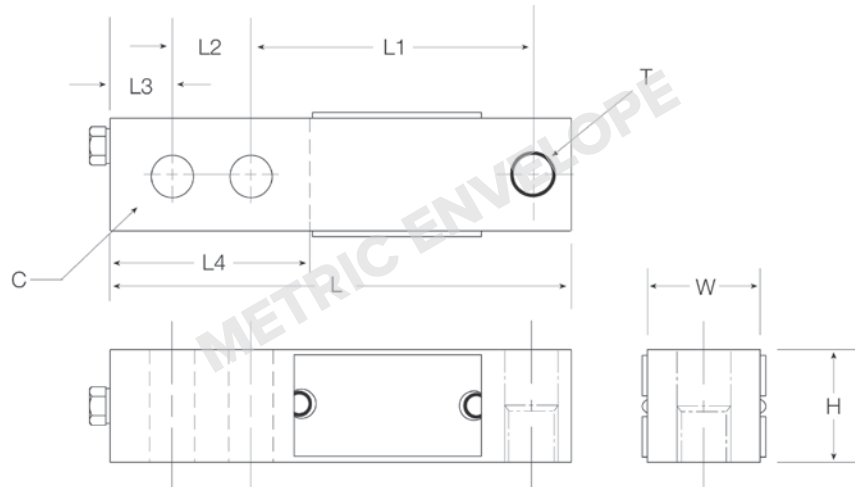
Dimensions

Picture is a representation of actual product

Rated Capacity	C	H	L	L1	L2	L3	L4	W	T
kg/mm									
1,000-2,000	57.00	32.00	130.00	76.00	25.00	16.00	13.00	32.00	M12 × 1.75-6H
5,000	76.00	38.00	171.00	95.00	38.00	19.00	20.70	38.00	M20 × 1.5-6H

Order Information

Load Rating	Part #	Est. Weight	Price
1,000 kg	31248	3 lb	\$344.00
2,000 kg	31247	3 lb	\$344.00
5,000 kg	31246	5 lb	\$429.00



RLHTO

Stainless Steel, Hermetically Sealed, IP66/68



APPROVALS



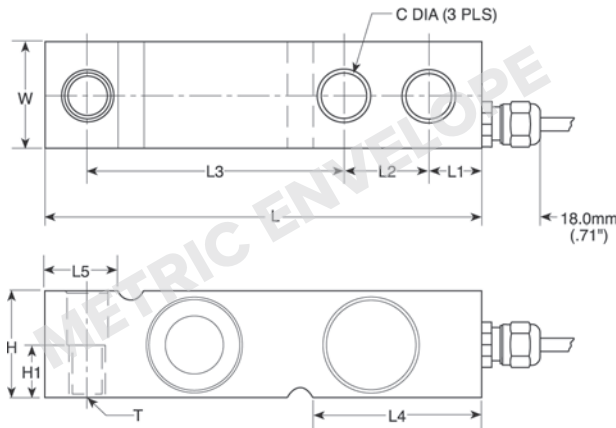
Dimensions

Picture is a representation of actual product

Rated Capacity	C	H	H1	L	L1	L2	L3	L4	L5	T	W
kg/mm											
500-2,000	13.5	32.0	16.0	130.0	15.8	25.4	76.2	50.5	23.5	M12 × 1.75	32.0
5,000	20.5	48.0	—	171.5	19.0	38.1	95.3	70.0	37.0	—	36.5

Order Information

Load Rating	Part #	Est. Weight	Price
500 kg	31253	3 lb	\$514.00
1,000 kg	31250	3 lb	\$514.00
2,000 kg	31251	3 lb	\$514.00
5,000 kg	31252	5 lb	\$588.00



Interchangeable Products

VPG® TEDEA-HUNTLEIGH
3510-OIMLpage 344

Weigh Module Available

RICE LAKE WEIGHING SYSTEMS
1700 HEpage 34

Specifications

Full Scale Output:
2.0 mV/V

Output Resistance:
350 (± 3) ohm

Input Resistance:
380 (± 10) ohm

Material/Finish:
Stainless steel

Temperature:
Operating range
0°F to 150°F (-18°C to 65°C)

Seal Type:
Hermetically sealed, IP66/68

Safe Overload:
150% full scale

Safe Sideload:
100% full scale

Rated Excitation:
5-10 VDC (15 V maximum)

Combined Error:
0.02% Applied Load

Insulation Resistance:
2,000 megohms

Deflection at Capacity:
0.4 mm

Cable Length:
5 m

Cable Diameter:
0.220 in polyurethane jacket

Cable Color Code:
 Blue +Excitation
 Black -Excitation
 White +Signal
 Red - Signal
 Green +Sense
 Grey -Sense

Warranty:
Two-year limited warranty

Approvals:
cFMus
Waterproof

Interchangeable Products

VPG® REVERE

SSB..... page 290

HBM®

SB3..... —

ARTECH®

SS30610..... —

Weigh Module Available

RICE LAKE WEIGHING SYSTEMS

RL1900 Series..... page 66

APPROVALS



Specifications

Full Scale Output:
2.0 mV/V

Bridge Resistance:
350 ohm, nominal

Material/Finish:
Stainless steel

Temperature:
Compensated range
14°F to 104°F (-10°C to 40°C)
Operating range
0°F to 150°F (-18°C to 65°C)

Seal Type:
Welded-seal, IP67

Safe Overload:
150% full scale

Safe Sideload:
100% full scale

Rated Excitation:
5-10 VDC (15 V maximum)

Combined Error:
0.02% full scale

Non-repeatability:
0.01% full scale

Insulation Resistance:
5,000 megohms

Cable Length:
15 ft

Cable Diameter:
0.200 in polyurethane jacket

Cable Color Code:
Green +Excitation
Black -Excitation
White +Signal
Red -Signal

Warranty:
Two-year limited warranty

Approvals:
cFMus
NTEP

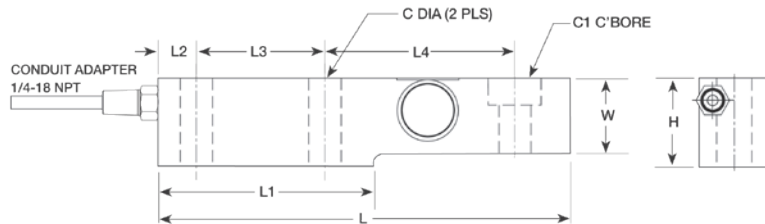
Dimensions

Picture is a representation of actual product

Rated Capacity	C	C1	H	L	L1	L2	L3	L4	W
lb/in									
1,000-5,000	0.53	0.68 thru C'Bore 1.19 × 0.47 DP	1.88	8.00	4.00	0.75	2.50	3.88	1.44
10,000	0.88	1.00 thru C'Bore 1.63 × 0.62 DP	2.75	9.25	4.62	0.81	2.63	4.88	1.88

Order Information

Load Rating	Part #	Est. Weight	Price
1,000 lb	34310	5 lb	\$636.00
2,000 lb	34311	5 lb	\$636.00
5,000 lb	34312	6 lb	\$636.00
10,000 lb	34313	10 lb	\$758.00
Options			
Load cell button	26112	—	\$37.00



SINGLE-ENDED BEAM

RLSB250/RLSB250T

Stainless Steel, Welded Seal, NTEP Certified 1:5,000 Class III Multiple Cell, IP67



PN 116084

APPROVALS



Interchangeable Products

CARDINAL®
SB2500* —
 *No threads in load hole

Specifications

- Full Scale Output:**
2.0 mV/V
- Bridge Resistance:**
350 ohm, nominal
- Material/Finish:**
Stainless steel
- Temperature:**
Compensated range:
14°F to 104°F (-10°C to 40°C)
Operating range:
0°F to 150°F (-18°C to 65°C)

Seal Type:
Welded-seal, IP67

Safe Overload:
150% full scale

Safe Sideload:
100% full scale

Rated Excitation:
5-10 VDC (15 V maximum)

Combined Error:
0.02% full scale

Non-repeatability:
0.01% full scale

Insulation Resistance:
5,000 megohms

Cable Length:
20 ft
15 ft - pn 34482

Cable Diameter:
0.200 in polyurethane jacket

Cable Color Code:
Green +Excitation
Black -Excitation
White +Signal
Red -Signal

Warranty:
Two-year limited warranty

Approvals:
cFMus
NTEP

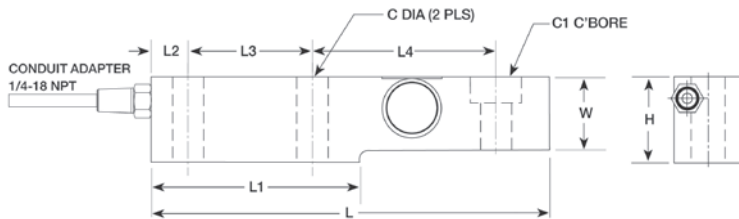
Dimensions

Picture is a representation of actual product

Rated Capacity	C	C1	H	L	L1	L2	L3	L4	T	W
lb/in										
2,500	0.53	1.20 × 0.75 DP	1.93	8.00	4.00	0.75	2.50	3.88	3/4-16 UNF	1.25
5,000	0.53	1.20 × 0.75 DP	1.93	8.00	4.00	0.75	2.50	3.88	3/4-16 UNF	1.45
10,000	—	1.20 × 0.75 DP	2.46	9.00	4.00	0.75	2.00	5.25	—	1.62

Order Information

Load Rating	Part #	Est. Weight	Price
Threaded			
2,500 lb	116053	6 lb	\$636.00
5,000 lb	116054	6 lb	\$742.00
Thru Hole			
2,500 lb	34482	6 lb	\$636.00
10,000 lb	116055	10 lb	\$742.00
Options			
Load cell button	116084	—	\$11.00



SINGLE-ENDED BEAM
RL50219SS

Stainless Steel, Environmentally Sealed, IP67

Interchangeable Products

- RICE LAKE WEIGHING SYSTEMS
RL60040SST page 155
- RICE LAKE WEIGHING SYSTEMS
RL50210 (alloy) page 154

Weigh Module Available

- RICE LAKE WEIGHING SYSTEMS
RL50219SS-TA page 54



Specifications

- Full Scale Output:**
3.0 mV/V
- Output Resistance:**
350 (± 3) ohm
- Input Resistance:**
380-450 ohm
- Material/Finish:**
Stainless steel
- Temperature:**
Operating range
0° F to 150° F (-18° C to 65° C)
- Seal Type:**
Environmentally sealed, IP67
- Safe Overload:**
150% full scale
- Rated Excitation:**
5-10 VDC
- Nonlinearity:**
0.03% full scale
- Hysteresis:**
0.02% full scale
- Combined Error:**
0.017% full scale
- Insulation Resistance:**
5,000 megohms
- Cable Length:**
20 ft
- Cable Color Code:**
Red +Excitation
Black -Excitation
Green +Signal
White -Signal
- Warranty:**
Two-year limited warranty

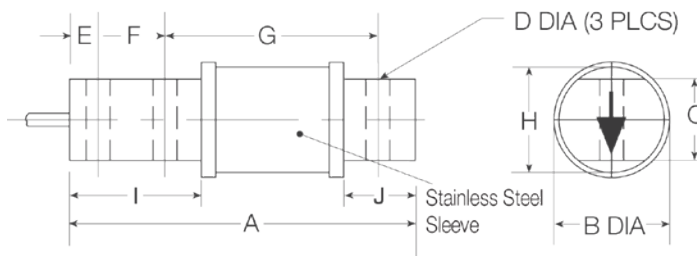
Dimensions

Picture is a representation of actual product

Rated Capacity	A	B	C	D	E	F	G	H	I	J
lb/in										
25-500	2.81	1.30	0.62	0.26	0.25	0.50	1.81	1.00	1.00	0.50

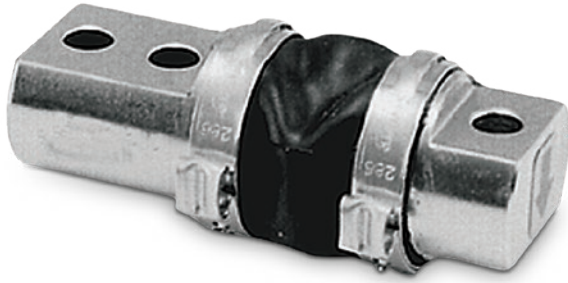
Order Information

Load Rating	Part #	Est. Weight	Price
25 lb	194014	2 lb	\$450.00
50 lb	194015	2 lb	\$450.00
75 lb	194016	2 lb	\$450.00
100 lb	194017	2 lb	\$450.00
150 lb	194018	2 lb	\$450.00
250 lb	194019	2 lb	\$450.00
500 lb	194020	2 lb	\$450.00



SINGLE-ENDED BEAM
RL50210

Alloy Steel, Environmentally Sealed, IP65



APPROVALS



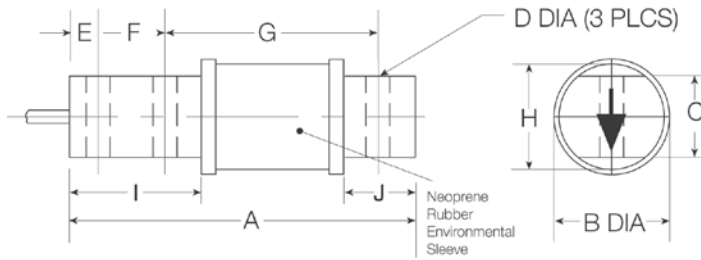
Dimensions

Picture is a representation of actual product

Rated Capacity	A	B	C	D	E	F	G	H	I	J
lb/in										
25-500	2.81	1.30	0.62	0.26	0.25	0.50	1.81	1.00	1.00	0.50

Order Information

Load Rating	Part #	Est. Weight	Price
25 lb	17385	2 lb	\$260.00
50 lb	17380	2 lb	\$260.00
100 lb	17381	2 lb	\$260.00
150 lb	17382	2 lb	\$260.00
250 lb	17383	2 lb	\$260.00
500 lb	17384	2 lb	\$260.00



Interchangeable Products

RICE LAKE WEIGHING SYSTEMS	
RL50219SS	page 153
VPG® SENSORTRONICS®	
60040	page 322
ARTECH®	
50210	—
VPG® REVERE	
5503	—

Weigh Module Available

RICE LAKE WEIGHING SYSTEMS	
RL50210TA	page 50

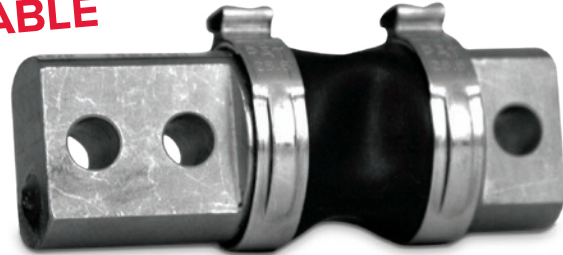
Specifications

- Full Scale Output:**
3.0 mV/V
- Output Resistance:**
349-355 ohm
- Input Resistance:**
360-450 ohm
- Material/Finish:**
High-alloy steel, nickel plated
- Temperature:**
Operating range
0°F to 150°F (-18°C to 65°C)
- Seal Type:**
Environmentally sealed with neoprene sleeve, IP65
- Safe Overload:**
150% full scale
- Rated Excitation:**
5-10 VDC (15 V maximum)
- Nonlinearity:**
0.03% full scale
- Hysteresis:**
0.02% full scale
- Insulation Resistance:**
5,000 megohms
- Deflection at Capacity:**
25-50 lb=0.008 in
100 lb=0.010 in
150 lb=0.012 in
250 lb=0.016 in
500 lb=0.025 in
- Cable Length:**
20 ft
- Cable Diameter:**
0.200 in polyurethane jacket
- Cable Color Code:**
Red +Excitation
Black -Excitation
Green +Signal
White -Signal
- Warranty:**
Two-year limited warranty
- Approvals:**
cFMus

SINGLE-ENDED BEAM
RL60040SST

Stainless Steel, Environmentally Sealed, IP65

**DISCONTINUED
 LIMITED STOCK
 AVAILABLE**



Interchangeable Products

- RICE LAKE WEIGHING SYSTEMS
RL50219SS..... page 153
- VPG® SENSORTRONICS**
60040 page 322
- ARTECH*
50210..... —
- VPG® REVERE*
5503..... —

Weigh Module Available

- RICE LAKE WEIGHING SYSTEMS
RL50210TA..... page 50
- *Alloy steel

Specifications

- Full Scale Output:**
3.0 mV/V
- Output Resistance:**
349-355 ohm
- Input Resistance:**
380-450 ohm
- Material/Finish:**
Stainless steel
- Temperature:**
Operating range
0°F to 150°F (-18°C to 65°C)

Seal Type:
Environmentally sealed with neoprene sleeve, IP65

- Safe Overload:**
150% full scale
- Rated Excitation:**
5-10 VDC (15 V maximum)
- Nonlinearity:**
0.03% full scale
- Hysteresis:**
0.02% full scale

- Insulation Resistance:**
5,000 megohms
- Deflection at Capacity:**
50 lb=0.008 in
250 lb=0.016 in
- Cable Length:**
20 ft
- Cable Diameter:**
0.200 in polyurethane jacket

- Cable Color Code:**
Red +Excitation
Black -Excitation
Green +Signal
White -Signal

Warranty:
Two-year limited warranty

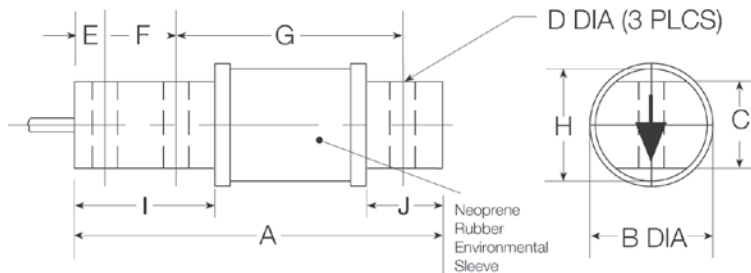
Dimensions

Picture is a representation of actual product

Rated Capacity	A	B	C	D	E	F	G	H	I	J
lb/in										
25-250	2.81	1.30	0.62	0.26	0.25	0.50	1.81	1.00	1.00	0.50

Order Information

Load Rating	Part #	Est. Weight	Price
50 lb	101973	3 lb	\$450.00
250 lb	101977	3 lb	\$450.00



RL40BBS

Alloy Steel, Environmentally Sealed, IP65



Interchangeable Products

HBM®	
BBSpage 261
VPG® SENSORTRONICS®	
65087 —
FAIRBANKS®	
3-481XX-1 —
FAIRBANKS	
3-48660-1 —
ARTECH®	
40310 —

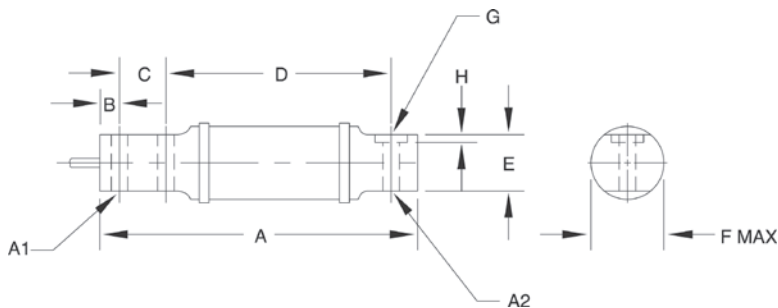
Dimensions

Picture is a representation of actual product

Rated Capacity	A	A1	A2	B	C	D	E	F	G	H
lb/in										
50-100	6.00	0.31	0.31	0.38	0.88	4.25	1.06	1.41	—	—
200-1,000	6.62	0.52	0.52	0.50	1.12	4.25	1.06	1.41	—	—
2,500	11.38	0.53	0.62	0.50	1.75	8.25	1.25	2.19	1.19	0.12

Order Information

Load Rating	Part #	Est. Weight	Price
50 lb	17395	3 lb	\$418.00
100 lb	17343	3 lb	\$418.00
200 lb	17396	3 lb	\$418.00
250 lb	17397	3 lb	\$418.00
500 lb	17398	3 lb	\$418.00
1,000 lb	17344	3 lb	\$418.00
2,500 lb	17345	9 lb	\$662.00



Specifications

Full Scale Output:

2.0 mV/V

Bridge Resistance:

50-1,000 lb=750 ohm, nominal
2,500 lb=347 ohm, nominal

Material/Finish:

High-alloy steel, nickel plated

Temperature:

Operating range
0°F to 150°F (-18°C to 65°C)

Seal Type:

Environmentally sealed with neoprene sleeve, IP65

Safe Overload:

150% full scale

Rated Excitation:

5-10 VDC (15 V maximum)

Deflection at Capacity:

50 lb=0.015 in
100 lb=0.005 in
200-250 lb=0.030 in
500 lb=0.025 in
1,000 lb=0.040 in
2,500 lb=0.120 in

Nonlinearity:

0.03% full scale

Hysteresis:

0.02% full scale

Insulation Resistance:

5,000 megohms

Cable Length:

10 ft

Cable Diameter:

0.200 in polyurethane jacket

Cable Color Code:

Green +Excitation
Black -Excitation
White +Signal
Red -Signal

Warranty:

Two-year limited warranty

Stainless Steel, Environmentally Sealed, NTEP Certified 1:5,000 Class III Multiple Cell, Potted, IP67

Interchangeable Products

AVERY WEIGH TRONIX®

Weigh Bar..... —

Specifications

Full Scale Output:

2.0 ± (0.1%) mV/V

Output Resistance:

350 (± 3) ohm

Input Resistance:

385 (± 10) ohm

Material/Finish:

Stainless steel

Temperature:

Compensated range
 14° F to 104° F (-10° C to 40° C)
 Operating range
 0° F to 150° F (-18° C to 65° C)

Seal Type:

Environmentally sealed, IP67

Safe Overload:

150% full scale

Safe Sideload:

100% full scale

Rated Excitation:

5-10 VDC

Combined Error:

0.02% full scale

Non-Repeatability:

± 0.01% full scale

Insulation Resistance:

5,000 megaohms

Cable Length:

20 ft

Cable Diameter:

0.190 in polyurethane jacket

Cable Color Code:

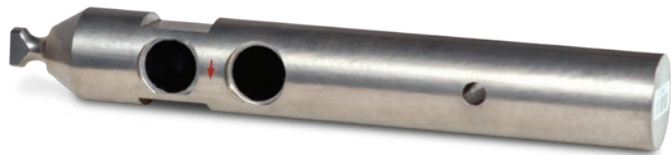
Green +Excitation
 Black -Excitation
 White +Signal
 Red -Signal

Warranty:

Two-year limited warranty

Approvals:

NTEP



APPROVALS



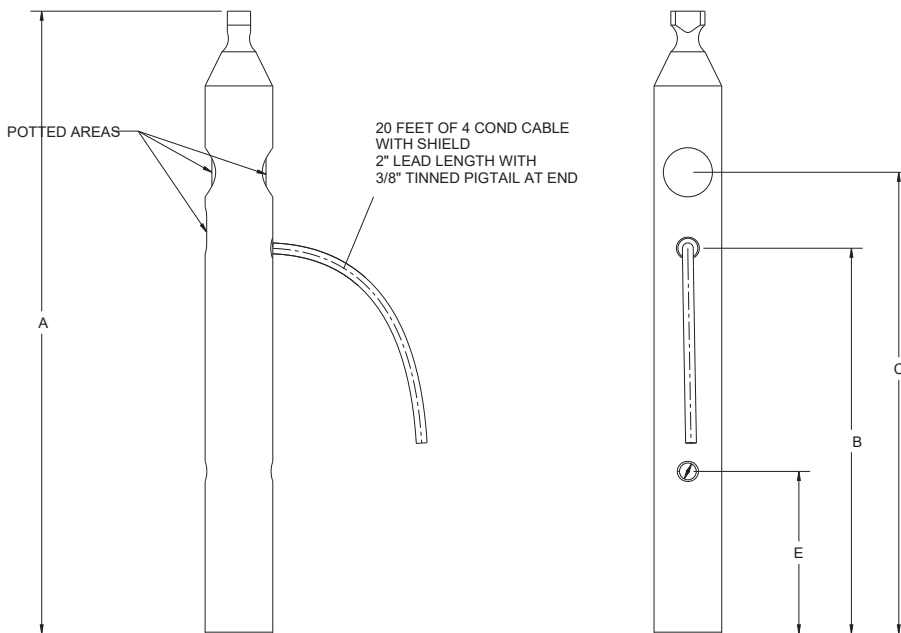
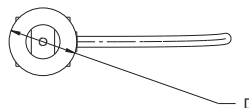
Dimensions

Picture is a representation of actual product

Rated Capacity	A	B	C	D	E
lb/in					
1,250	11.50	7.12	8.52	1.25	3.0
5,000	10.9	5.5	7.4	2.0	3.0
10,000	12.6	5.9	8.0	2.5	3.0

Order Information

Load Rating	Part #	Est. Weight	Price
1,250 lb	119788	5 lb	\$730.00
5,000 lb	119790	9 lb	\$850.00
10,000 lb	119791	17 lb	\$950.00



RL32011WB-T

Stainless Steel, Environmentally Sealed, NTEP Certified 1:5,000 Class III Multiple Cell, Potted, IP67



APPROVALS



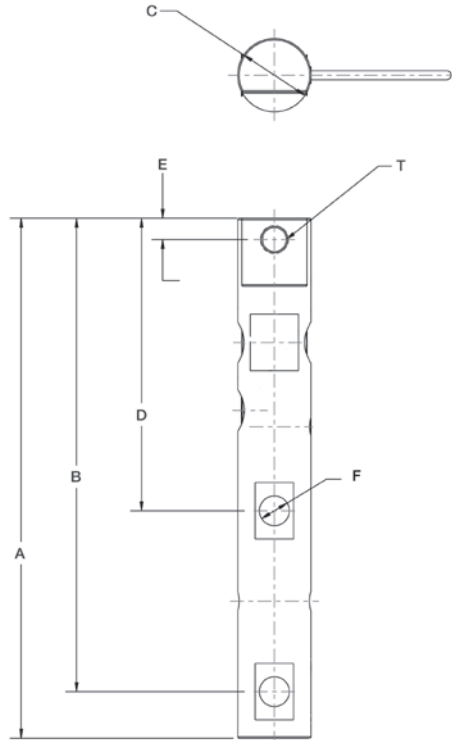
Dimensions

Picture is a representation of actual product

Rated Capacity	A	B	C	D	E	F	T
lb/in							
1,250	11.50	10.47	1.25	6.47	0.47	0.53	1/2-13 UNC
2,500	11.50	10.47	1.62	6.47	0.47	0.66	5/8-11 UNC

Order Information

Load Rating	Part #	Est. Weight	Price
1,250 lb	119796	3 lb	\$525.00
2,500 lb	119797	3 lb	\$525.00



Interchangeable Products

AVERY WEIGH TRONIX®

Weigh Bar..... —

Specifications

Full Scale Output:

2.0 (± 0.1%) mV/V

Output Resistance:

350 (± 3) ohm

Input Resistance:

385 (± 10) ohm

Material/Finish:

Stainless steel

Temperature:

Compensated range

14°F to 104°F (-10°C to 40°C)

Operating range

0° F to 150° F (-18° C to 65° C)

Seal Type:

Environmentally sealed, IP67

Safe Overload:

150% full scale

Safe Sideload:

100% full scale

Rated Excitation:

5-10 VDC

Combined Error:

0.02% full scale

Non-Repeatability:

± 0.01% full scale

Insulation Resistance:

5,000 megaohms

Cable Length:

20 ft

Cable Diameter:

0.190 in polyurethane jacket

Cable Color Code:

Green +Excitation

Black -Excitation

White +Signal

Red -Signal

Warranty:

Two-year limited warranty

Approvals:

NTEP

NEW
DOUBLE-ENDED BEAM
RL72020

Alloy Steel, Environmentally Sealed, NTEP Certified 1:10,000 Class III L Multiple Cell. IP67

Interchangeable Products

RICE LAKE WEIGHING SYSTEMS

RL70000* page 163

VPG® REVERE

5103* page 291

ARTECH®

70210 —

METTLER-TOLEDO®

SLD 430 —

*Conduit adapter optional

Weigh Module Available

RICE LAKE WEIGHING SYSTEMS

EZ Mount 1 page 90

Specifications

Full Scale Output:
3.0 mV/V

Output Resistance:
700 (± 5) ohm

Input Resistance:
5-10k=700 (± 14) ohm
20-150k=770 (± 10) ohm
200-250k=700 (± 14) ohm

Material/Finish:
High-alloy steel, nickel plated

Temperature:
Compensated range
14° F to 104° F (-10° C to 40° C)
Operating range
0° F to 150° F (-18° C to 65° C)

Seal Type:
Environmentally sealed, IP67

Safe Overload:
150% full scale

Safe Sideload:
100% full scale

Rated Excitation:
5-10 VDC (15 V maximum)

Combined Error:
0.02% full scale

Insulation Resistance:
5,000 megohms

Deflection at Capacity:
5,000 lb=0.02 in
10,000 lb=0.025 in
20,000 lb=0.042 in
30,000-50,000 lb=0.02 in
60,000 lb=0.025 in
100,000 lb=0.02 in

Cable Length:
30 ft

Cable Color Code:
Red +Excitation
Black -Excitation
Green +Signal
White -Signal

Warranty:
Two-year limited warranty

Approvals:
cFMus
NTEP

APPROVALS



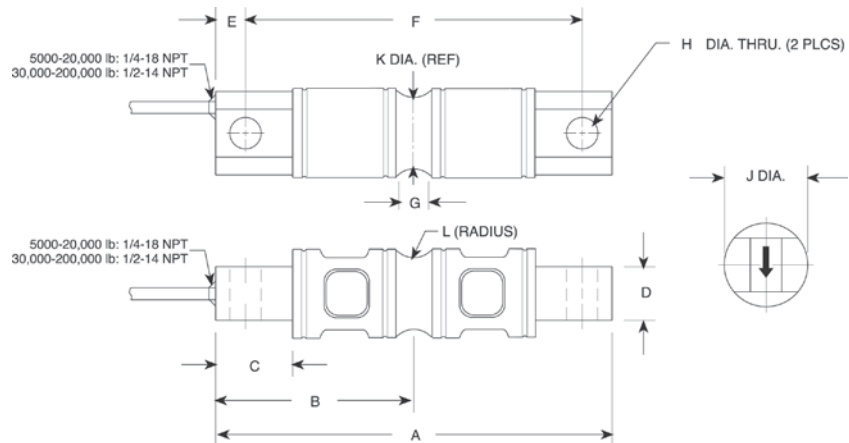
Dimensions

Picture is a representation of actual product

Rated Capacity	A	B	C	D	E	F	G	H	J	K	L
5,000-10,000	8.12	4.06	1.44	1.12	0.62	6.88	0.62	0.66	1.70	1.48	0.50
20,000	8.12	4.06	1.44	1.12	0.62	6.88	0.84	0.66	1.95	1.48	0.50
30,000-60,000	10.25	5.12	1.88	2.37	0.88	8.50	1.00	1.06	3.20	2.73	1.00
100,000	11.25	5.62	1.88	2.50	0.88	9.50	1.00	1.06	3.50	3.24	1.50
150,000	11.25	5.62	1.88	2.80	0.88	9.50	1.25	1.06	3.90	3.64	1.50
200,000-250,000	16.10	8.05	3.05	4.60	1.55	13.00	1.30	1.56	5.38	5.17	2.00

Order Information

Load Rating	Part #	Est. Weight	Price
5,000 lb	201758	5 lb	\$695.00
10,000 lb	201759	6 lb	\$695.00
20,000 lb	201760	7 lb	\$695.00
30,000 lb	201761	18 lb	\$800.00
40,000 lb	201762	18 lb	\$800.00
50,000 lb	201763	18 lb	\$800.00
60,000 lb	201764	18 lb	\$800.00
100,000 lb	201765	28 lb	\$1,563.00
150,000 lb	201766	34 lb	\$1,563.00
200,000 lb	201767	90 lb	\$2,940.00
250,000 lb	201768	93 lb	\$2,940.00



RICE LAKE WEIGHING SYSTEMS

www.ricelake.com | Phone: 800-472-6703

RICE LAKE

NEW

DOUBLE-ENDED BEAM

RL72020SS

Stainless Steel, Environmentally Sealed, NTEP Certified 1:10,000 Class IIIIL Multiple Cell, IP67



APPROVALS



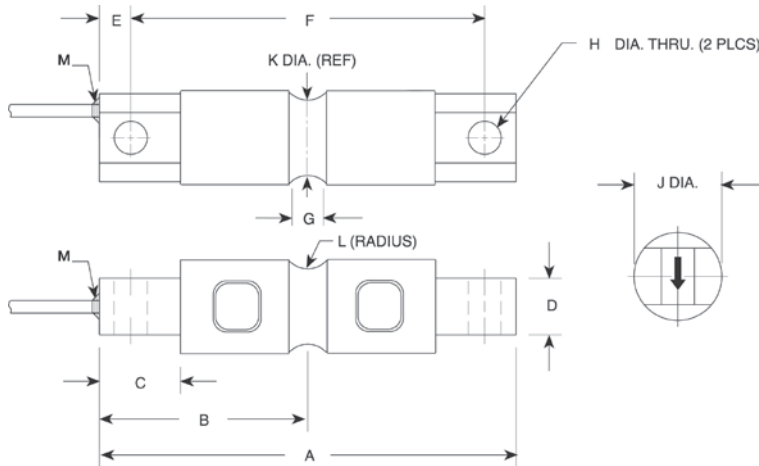
Picture is a representation of actual product

Dimensions

Rated Capacity	A	B	C	D	E	F	G	H	J	K	L	M
lb/in												
5,000-10,000	8.12	4.06	1.44	1.12	0.62	6.88	0.62	0.66	1.70	1.48	0.50	1/4-18 NPT
20,000	8.12	4.06	1.44	1.12	0.62	6.88	0.84	0.66	1.95	1.48	0.50	1/4-18 NPT
30,000-60,000	10.25	5.12	1.88	2.37	0.88	8.50	1.00	1.06	3.20	2.73	1.00	1/2-14 NPT
100,000	11.25	5.62	1.88	2.50	0.88	9.50	1.00	1.06	3.50	3.24	1.50	1/2-14 NPT
150,000	11.25	5.62	1.88	2.80	0.88	9.50	1.25	1.06	3.90	3.64	1.50	1/2-14 NPT

Order Information

Load Rating	Part #	Est. Weight	Price
NTEP Certified			
10,000 lb	201781	5 lb	\$820.00
20,000 lb	201782	5 lb	\$900.00
30,000 lb	201783	20 lb	\$1,033.00
40,000 lb	201784	20 lb	\$1,033.00
50,000 lb	201785	20 lb	\$1,033.00
60,000 lb	201786	20 lb	\$1,033.00
100,000 lb	201787	30 lb	\$1,960.00
Non-NTEP Certified			
5,000 lb	201780	5 lb	\$820.00
150,000 lb	201788	30 lb	\$2,173.00



Interchangeable Products

- RICE LAKE WEIGHING SYSTEMS
RL70000SS page 165
- VPG® REVERSE
9103..... page 292

Weigh Module Available

- RICE LAKE WEIGHING SYSTEMS
EZ Mount 1 SS page 92

Specifications

- Full Scale Output:**
3.0 mV/V
- Output Resistance:**
700 (± 5) ohm
- Input Resistance:**
700 (± 10) ohm
- Material/Finish:**
Stainless steel
- Temperature:**
Operating range:
14°F to 104°F (-10°C to 40°C)
- Seal Type:**
Environmentally sealed, IP67
- Safe Overload:**
150% full scale
- Rated Excitation:**
5-10 VDC
- Combined Error:**
0.02% full scale
- Insulation Resistance:**
5,000 megohms
- Cable Length:**
30 ft polyurethane jacket
- Cable Color Code:**
Red +Excitation
Black -Excitation
Green +Signal
White -Signal
- Warranty:**
Two-year limited warranty
- Approvals:**
NTEP
cFMus

NEW
DOUBLE-ENDED BEAM
RL72020P

Alloy Steel, Environmentally Sealed, NTEP Certified 1:10,000 Class III L Multiple Cell, IP67

Interchangeable Products

- RICE LAKE WEIGHING SYSTEMS
RL70000..... page 163
- RICE LAKE WEIGHING SYSTEMS
RL70000 Painted..... page 164
- VPG® REVERE
5103*..... page 291
- ARTECH®
70210.....
- METTLER-TOLEDO®
SLD 430.....
- *Conduit adapter optional
Cells are unpainted

Weigh Module Available

- RICE LAKE WEIGHING SYSTEMS
EZ Mount 1..... page 90

Specifications

- Full Scale Output:**
3.0 mV/V
- Output Resistance:**
5-10k=703 (± 4) ohm
20-150k=700 (± 5) ohm
200-250k=700 (± 5) ohm
- Input Resistance:**
5-10k=700 (± 14) ohm
20-150k=770 (± 10) ohm
200-250k=700 (± 14) ohm
- Material/Finish:**
High-alloy steel, nickel plated
- Temperature:**
Compensated range
14° F to 104° F (-10° C to 40° C)
Operating range
0° F to 150° F (-18° C to 65° C)
- Seal Type:**
Environmentally sealed, IP67
- Safe Overload:**
150% full scale
- Safe Sideload:**
100% full scale

- Rated Excitation:**
5-10 VDC (15 V maximum)
- Combined Error:**
0.02% full scale
- Insulation Resistance:**
5,000 megohms
- Deflection at Capacity:**
5,000 lb=0.02 in
10,000 lb=0.025 in
20,000 lb=0.042 in
30,000-50,000 lb=0.02 in
60,000 lb=0.025 in
100,000 lb=0.02 in
- Cable Length:**
30 ft
- Cable Diameter:**
5,000 lb-20,000 lb=0.200 in
30,000 lb-250,000 lb=0.305 in
polyurethane jacket
- Cable Color Code:**
Red +Excitation
Black -Excitation
Green +Signal
White -Signal

- Warranty:**
Two-year limited warranty

- Approvals:**
cFMus
NTEP

APPROVALS



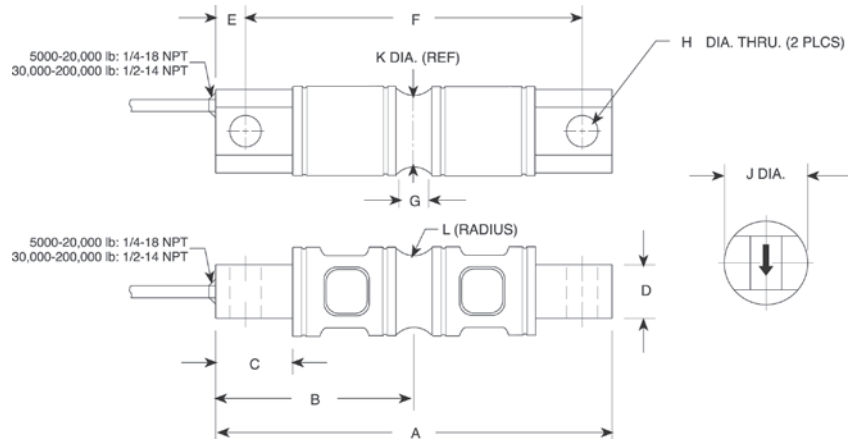
Dimensions

Picture is a representation of actual product

Rated Capacity	A	B	C	D	E	F	G	H	J	K	L
lb/in											
5,000-10,000	8.12	4.06	1.44	1.12	0.62	6.88	0.62	0.66	1.70	1.48	0.50
20,000	8.12	4.06	1.44	1.12	0.62	6.88	0.84	0.66	1.95	1.48	0.50
30,000-60,000	10.25	5.12	1.88	2.37	0.88	8.50	1.00	1.06	3.20	2.73	1.00
100,000	11.25	5.62	1.88	2.50	0.88	9.50	1.00	1.06	3.50	3.24	1.50
150,000	11.25	5.62	1.88	2.80	0.88	9.50	1.25	1.06	3.90	3.64	1.50
200,000-250,000	16.10	8.05	3.05	4.60	1.55	13.00	1.30	1.56	5.38	5.17	2.00

Order Information

Load Rating	Part #	Est. Weight	Price
5,000 lb	201769	5 lb	\$720.00
10,000 lb	201770	6 lb	\$720.00
20,000 lb	201771	7 lb	\$720.00
30,000 lb	201772	18 lb	\$826.00
40,000 lb	201773	18 lb	\$826.00
50,000 lb	201774	18 lb	\$826.00
60,000 lb	201775	18 lb	\$826.00
100,000 lb	201776	28 lb	\$1,615.00
150,000 lb	201777	34 lb	\$1,615.00
200,000 lb	201778	90 lb	\$2,990.00
250,000 lb	201779	93 lb	\$2,990.00



DOUBLE-ENDED BEAM

RL72019SS

Stainless Steel, Environmentally Sealed, IP68



APPROVALS



Pending

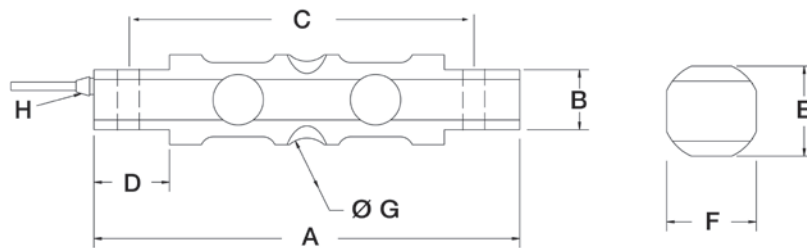
Dimensions

Picture is a representation of actual product

Rated Capacity	A	B	C	D	E	F	ØG	H
5,000-20,000	8.12	1.14	6.88	1.44	1.71	1.71	1.00	1/4-18 NPT
30,000-60,000	10.25	2.38	8.50	1.88	3.03	3.03	2.00	1/2-14 NPT

Order Information

Load Rating	Part #	Est. Weight	Price
5,000 lb	194021	5 lb	\$1,160.00
10,000 lb	194022	5 lb	\$1,160.00
20,000 lb	194023	5 lb	\$1,160.00
30,000 lb	194024	20 lb	\$1,585.00
40,000 lb	194025	20 lb	\$1,585.00
50,000 lb	194026	20 lb	\$1,585.00
60,000 lb	194027	20 lb	\$1,585.00



Interchangeable Products

- RICE LAKE WEIGHING SYSTEMS
RL70000SS page 165
- VPG® REVERSE
9103..... page 292

Weigh Module Available

- RICE LAKE WEIGHING SYSTEMS
EZ Mount 1 SS page 92

Specifications

Full Scale Output:
3.0 mV/V

Output Resistance:
700 (± 5) ohm

Input Resistance:
780 (± 10) ohm

Material/Finish:
Stainless steel

Temperature:
Operating range:
0°F to 150°F (-18°C to 65°C)

Seal Type:
Welded-seal, IP68

Safe Overload:
150% full scale

Rated Excitation:
5-10 VDC

Nonlinearity:
0.03% full scale

Hysteresis:
0.5% full scale

Insulation Resistance:
5,000 megohms

Cable Length:
25 ft

Cable Color Code:
Red +Excitation
Black -Excitation
Green +Signal
White -Signal

Warranty:
Two-year limited warranty

Approvals:
cFMus
NTEP pending

Alloy Steel, Environmentally Sealed, NTEP Certified 1:10,000 Class IIIIL Multiple Cell, IP67

Interchangeable Products

RICE LAKE WEIGHING SYSTEMS

RL72020..... page 159

VPG® REVERE*

5103*..... page 291

ARTECH®

70210..... —

METTLER-TOLEDO®

SLD 430..... —

*Conduit adapter optional

Weigh Module Available

RICE LAKE WEIGHING SYSTEMS

EZ Mount 1..... page 90



APPROVALS



Dimensions

Picture is a representation of actual product

Rated Capacity	A	B	C	D	E	F	G	H	J	K	L
lb/in											
5,000-10,000	8.12	4.06	1.44	1.12	0.62	6.88	0.62	0.66	1.70	1.48	0.50
20,000	8.12	4.06	1.44	1.12	0.62	6.88	0.84	0.66	1.95	1.48	0.50
30,000-60,000	10.25	5.12	1.88	2.37	0.88	8.50	1.00	1.06	3.20	2.73	1.00
100,000	11.25	5.62	1.88	2.50	0.88	9.50	1.00	1.06	3.50	3.24	1.50
150,000	11.25	5.62	1.88	2.80	0.88	9.50	1.25	1.06	3.90	3.64	1.50
200,000-250,000	16.10	8.05	3.05	4.60	1.55	13.00	1.30	1.56	5.38	5.17	2.00

Order Information

Load Rating	Part #	Est. Weight	Price
5,000 lb	36263	5 lb	\$695.00
10,000 lb	36264	6 lb	\$695.00
20,000 lb	36265	7 lb	\$695.00
30,000 lb	36266	18 lb	\$800.00
40,000 lb	36267	18 lb	\$800.00
50,000 lb	36268	18 lb	\$800.00
60,000 lb	36269	18 lb	\$800.00
100,000 lb	36270	28 lb	\$1,563.00
150,000 lb	36976	34 lb	\$1,563.00
200,000 lb	36977	90 lb	\$2,940.00
250,000 lb	36978	93 lb	\$2,940.00

Specifications

Full Scale Output:

3.0 mV/V

Output Resistance:

5-10k=703 (± 4) ohm
20-150k=700 (± 5) ohm
200-250k=700 (± 5) ohm

Input Resistance:

5-10k=700 (± 14) ohm
20-150k=770 (± 10) ohm
200-250k=700 (± 14) ohm

Material/Finish:

High-alloy steel, nickel plated

Temperature:

Compensated range
14° F to 104° F (-10° C to 40° C)
Operating range
0° F to 150° F (-18° C to 65° C)

Seal Type:

Environmentally sealed, IP67

Safe Overload:

150% full scale

Safe Sideload:

100% full scale

Rated Excitation:

5-10 VDC (15 V maximum)

Combined Error:

0.02% full scale

Insulation Resistance:

5,000 megohms

Deflection at Capacity:

5,000 lb=0.02 in
10,000 lb=0.025 in
20,000 lb=0.042 in
30,000-50,000 lb=0.02 in
60,000 lb=0.025 in
100,000 lb=0.02 in

Cable Length:

30 ft

Cable Diameter:

5,000-20,000 lb=0.200 in
30,000-250,000 lb=0.305 in
polyurethane jacket

Cable Color Code:

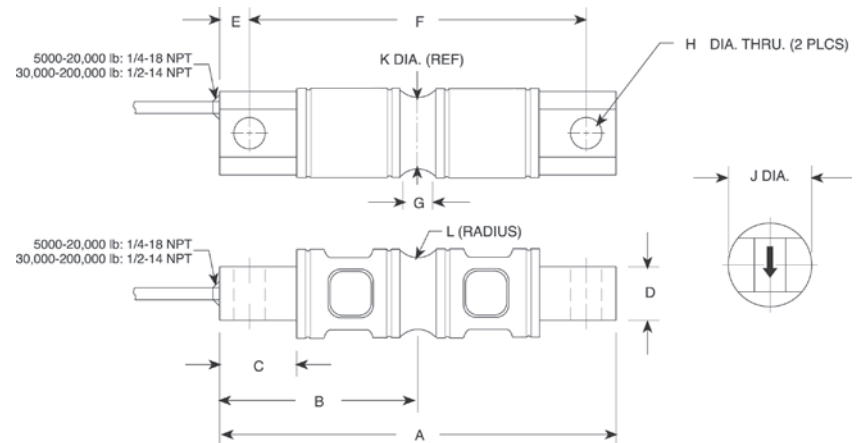
Red +Excitation
Black -Excitation
Green +Signal
White -Signal

Warranty:

Two-year limited warranty

Approvals:

cFMus
NTEP



NEW

DOUBLE-ENDED BEAM

RL70000 Painted

Alloy Steel, Environmentally Sealed, IP67



APPROVALS



Interchangeable Products

- RICE LAKE WEIGHING SYSTEMS
RL70000*.....page 163
- RICE LAKE WEIGHING SYSTEMS
RL72020*.....page 159
- RICE LAKE WEIGHING SYSTEMS
RL72020P.....page 161

Weigh Module Available

- RICE LAKE WEIGHING SYSTEMS
EZ Mount 1.....page 90

*Cells are unpainted

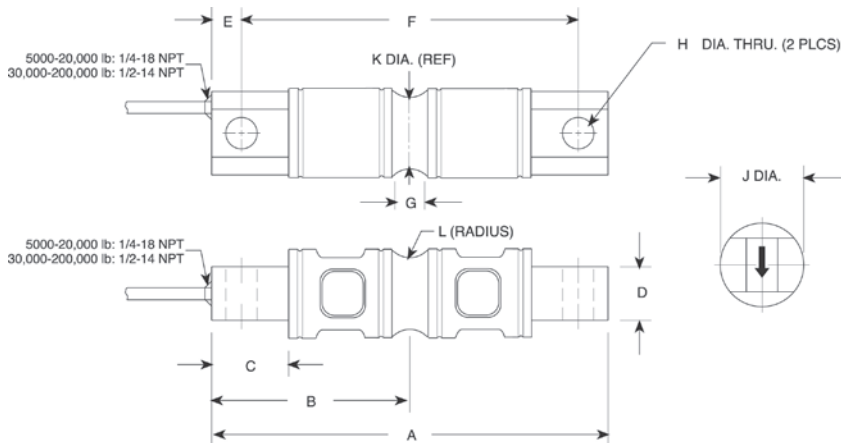
Dimensions

Picture is a representation of actual product

Rated Capacity	A	B	C	D	E	F	G	H	J	K	L
lb/in											
5,000-10,000	8.12	4.06	1.44	1.12	0.62	6.88	0.62	0.66	1.70	1.48	0.50
20,000	8.12	4.06	1.44	1.12	0.62	6.88	0.84	0.66	1.95	1.48	0.50
30,000-60,000	10.25	5.12	1.88	2.37	0.88	8.50	1.00	1.06	3.20	2.73	1.00
100,000	11.25	5.62	1.88	2.50	0.88	9.50	1.00	1.06	3.50	3.24	1.50
150,000	11.25	5.62	1.88	2.80	0.88	9.50	1.25	1.06	3.90	3.64	1.50
200,000-250,000	16.10	8.05	3.05	4.60	1.55	13.00	1.30	1.56	5.38	5.17	2.00

Order Information

Load Rating	Part #	Est. Weight	Price
5,000 lb	198196	5 lb	\$720.00
10,000 lb	198197	6 lb	\$720.00
20,000 lb	198198	7 lb	\$720.00
30,000 lb	198199	18 lb	\$826.00
40,000 lb	198200	18 lb	\$826.00
50,000 lb	198201	18 lb	\$826.00
60,000 lb	198202	18 lb	\$826.00
100,000 lb	198203	28 lb	\$1,615.00
150,000 lb	198204	34 lb	\$1,615.00
200,000 lb	198205	90 lb	\$2,990.00
250,000 lb	198206	93 lb	\$2,990.00



Specifications

Full Scale Output:

3.0 mV/V

Output Resistance:

- 5-10k=703 (± 4) ohm
- 20-150k=700 (± 5) ohm
- 200-250k=700 (± 5) ohm

Input Resistance:

- 5-10k=700 (± 14) ohm
- 20-150k=770 (± 10) ohm
- 200-250k=700 (± 14) ohm

Material/Finish:

High-alloy steel, nickel plated

Temperature:

- Compensated range
14° F to 104° F (-10° C to 40° C)
- Operating range
0° F to 150° F (-18° C to 65° C)

Seal Type:

Environmentally sealed, IP67

Safe Overload:

150% full scale

Safe Sideload:

100% full scale

Rated Excitation:

5-10 VDC (15 V maximum)

Combined Error:

0.02% full scale

Insulation Resistance:

5,000 megohms

Deflection at Capacity:

- 5,000 lb=0.02 in
- 10,000 lb=0.025 in
- 20,000 lb=0.042 in
- 30,000-50,000 lb=0.02 in
- 60,000 lb=0.025 in
- 100,000 lb=0.02 in

Cable Length:

30 ft

Cable Diameter:

- 5,000-20,000 lb=0.200 in
 - 30,000-250,000 lb=0.305 in
- polyurethane jacket

Cable Color Code:

- Red +Excitation
- Black -Excitation
- Green +Signal
- White -Signal

Warranty:

Two-year limited warranty

Approvals:

- cFMus
- NTEP

Stainless Steel, Environmentally Sealed, NTEP Certified 1:5,000 Class III/1:10,000 IIL Multiple Cell, IP67

Interchangeable Products

- RICE LAKE WEIGHING SYSTEMS
RL72019SS page 162
- RICE LAKE WEIGHING SYSTEMS
RL72020SS page 160
- VPG® REVERE
9103 page 292
- METTLER TOLEDO®
SLD-530 —

Weigh Module Available

- RICE LAKE WEIGHING SYSTEMS
EZ Mount 1 page 90

Specifications

- Full Scale Output:**
3.0 mV/V
- Output Resistance:**
700 (± 7) ohm
- Input Resistance:**
700 (± 7) ohm
- Material/Finish:**
Stainless steel
- Temperature:**
Compensated range
0°F to 150°F (-18°C to 65°C)
Operating range
0°F to 150°F (-18°C to 65°C)
- Seal Type:**
Environmentally sealed, IP67
- Safe Overload:**
150% full scale
- Safe Sideload:**
100% full scale
- Rated Excitation:**
5-10 V AC/DC (15 V max)

- Non-repeatability:**
0.02% full scale
- Combined Error:**
0.3% full scale
- Insulation Resistance:**
5,000 megohms
- Deflection at Capacity:**
5,000 lb=0.02 in
10,000 lb=0.025 in
20,000 lb=0.042 in
30,000-50,000 lb=0.02 in
60,000 lb=0.025 in
100,000-150,000 lb=0.02 in

- Cable Length:**
30 ft
- Cable Diameter:**
0.295 in polyurethane jacket
- Cable Color Code:**
Red +Excitation
Black -Excitation
Green +Signal
White -Signal

Warranty:
Two-year limited warranty

Approvals:
cFMus
NTEP (Except 5,000 lb and 150,000 lb)

APPROVALS



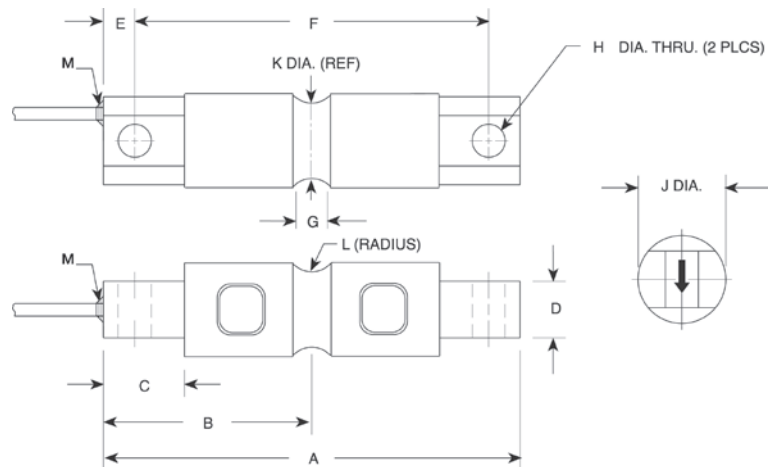
Dimensions

Picture is a representation of actual product

Rated Capacity	A	B	C	D	E	F	G	H	J	K	L	M
5,000-10,000	8.12	4.06	1.44	1.12	0.62	6.88	0.62	0.66	1.70	1.48	0.50	1/4-18 NPT
20,000	8.12	4.06	1.44	1.12	0.62	6.88	0.84	0.66	1.95	1.48	0.50	1/4-18 NPT
30,000-60,000	10.25	5.12	1.88	2.37	0.88	8.50	1.00	1.06	3.20	2.73	1.00	1/2-14 NPT
100,000	11.25	5.62	1.88	2.50	0.88	9.50	1.00	1.06	3.50	3.24	1.50	1/2-14 NPT
150,000	11.25	5.62	1.88	2.80	0.88	9.50	1.25	1.06	3.90	3.64	1.50	1/2-14 NPT

Order Information

Load Rating	Part #	Est. Weight	Price
NTEP Certified			
10,000 lb	30432	5 lb	\$820.00
20,000 lb	30433	6 lb	\$820.00
30,000 lb	30434	22 lb	\$900.00
40,000 lb	30435	22 lb	\$900.00
50,000 lb	30436	22 lb	\$1,007.00
60,000 lb	30437	22 lb	\$1,007.00
100,000 lb	30444	30 lb	\$1,960.00
Non-NTEP Certified			
5,000 lb	30431	5 lb	\$768.00
150,000 lb	30445	30 lb	\$1,960.00



DOUBLE-ENDED BEAM RL75016

Alloy Steel, Environmentally Sealed, IP67



APPROVALS



Dimensions

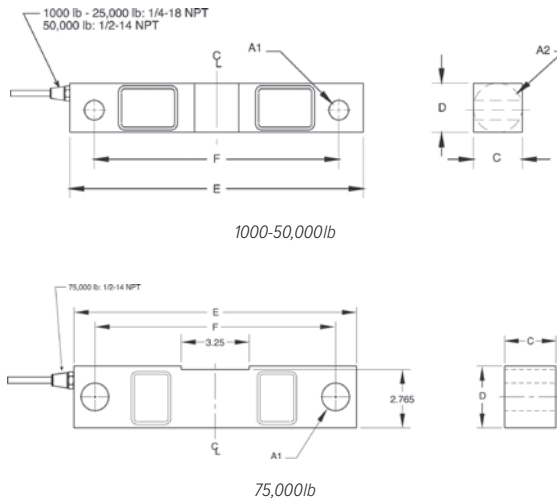
Picture is a representation of actual product

Rated Capacity	A1	A2	C	D	E	F
lb/in						
1,000-5,000	0.50	1.25	1.25	1.25	7.50	6.25
10,000-25,000	0.81	1.99	1.44	1.94	8.75	7.50
50,000	1.31	3.00	2.44	2.94	13.50	11.50
75,000	1.31	—	2.44	2.94	13.50	11.50

Order Information

Load Rating	Part #	Est. Weight	Price
1,000 lb	17300	4 lb	\$556.00
1,500 lb	17302	4 lb	\$556.00
2,000 lb	17304	4 lb	\$556.00
2,500 lb	17306	4 lb	\$556.00
3,000 lb	17308	4 lb	\$556.00
5,000 lb	17309	4 lb	\$556.00
10,000 lb	17311	7 lb	\$636.00
15,000 lb	17313	7 lb	\$636.00
20,000 lb	17315	7 lb	\$636.00
25,000 lb	17317	7 lb	\$636.00
50,000 lb	17319	25 lb	\$980.00
75,000 lb*	25357	25 lb	\$980.00

*75,000lb capacity has a square center



Interchangeable Products

VPG® CELTRON	
DSR.....	page 231
VPG® SENSORTRONICS®	
65016.....	page 326
VPG® REVERE	
5203.....	—

Weigh Module Available

RICE LAKE WEIGHING SYSTEMS
RL1600 Series page 98 and page 100

Specifications

Full Scale Output:

3.0 mV/V

Output Resistance:

700 (± 5) ohm

Input Resistance:

770 (± 10) ohm

Material/Finish:

High-alloy steel, nickel plated

Temperature:

Operating range
0°F to 150°F (-18°C to 65°C)

Seal Type:

Environmentally sealed, IP67

Safe Overload:

150% full scale

Safe Sideload:

100% full scale

Rated Excitation:

5-10 VDC (15 V maximum)

Nonlinearity:

0.03% full scale

Hysteresis:

0.02% full scale

Deflection at Capacity:

1,000 lb-3,000 lb=0.01 in
5,000 lb=0.015 in
10,000-20,000 lb=0.022 in
25,000 lb=0.036 in
50,000 lb=0.052 in
75,000 lb=0.07 in

Insulation Resistance:

5,000 megohms

Cable Length:

25 ft

Cable Diameter:

1,000-25,000 lb=0.200 in
50,000-75,000 lb=0.305 in
polyurethane jacket

Cable Color Code:

Red +Excitation
Black -Excitation
Green +Signal
White -Signal

Warranty:

Two-year limited warranty

DOUBLE-ENDED BEAM
RL75016 Painted
 Alloy Steel, Environmentally Sealed, IP67

Interchangeable Products

- RICE LAKE WEIGHING SYSTEMS
RL75016* (Alloy)..... page 166
 VPG® CELTRON
DSR* (Alloy)..... page 231
 VPG® SENSORTRONICS®
65016* (Alloy)..... page 326

Weigh Module Available

- RICE LAKE WEIGHING SYSTEMS
RL1600 Series page 98 and page 100
**Cells are unpainted*



APPROVALS



Dimensions

Picture is a representation of actual product

Rated Capacity	A1	A2	C	D	E	F
lb/in						
1,000-5,000	0.50	1.25	1.25	1.25	7.50	6.25
10,000-25,000	0.81	1.99	1.44	1.94	8.75	7.50
50,000	1.31	3.00	2.44	2.94	13.50	11.50
75,000	1.31	—	2.44	2.94	13.50	11.50

Specifications

- Full Scale Output:**
3.0 mV/V
- Output Resistance:**
700 (± 5) ohm
- Input Resistance:**
770 (± 10) ohm
- Material/Finish:**
High-alloy steel, nickel plated, painted
- Temperature:**
Operating range
0° F to 150° F (-18° C to 65° C)
- Seal Type:**
Environmentally sealed, IP67
- Safe Overload:**
150% full scale
- Safe Sideload:**
100% full scale
- Rated Excitation:**
5-10 VDC (15 V maximum)
- Nonlinearity:**
0.03% full scale
- Hysteresis:**
0.02% full scale

Insulation Resistance:
5,000 megohms

Cable Length:
25 ft

Cable Color Code:
Red +Excitation
Black -Excitation
Green +Signal
White -Signal

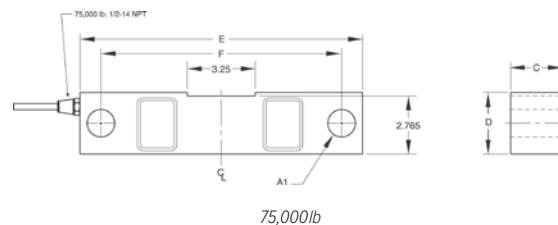
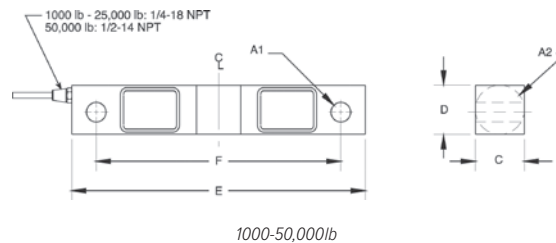
Warranty:
Two-year limited warranty

Approvals:
cFMus

Order Information

Load Rating	Part #	Est. Weight	Price
1,000 lb	187058	4 lb	\$583.00
1,500 lb	187059	4 lb	\$583.00
2,000 lb	187060	4 lb	\$583.00
2,500 lb	187061	4 lb	\$583.00
3,000 lb	187062	4 lb	\$583.00
5,000 lb	187063	4 lb	\$583.00
10,000 lb	187064	7 lb	\$662.00
15,000 lb	187065	7 lb	\$662.00
20,000 lb	187066	7 lb	\$662.00
25,000 lb	187067	7 lb	\$662.00
50,000 lb	187068	25 lb	\$1,007.00
75,000 lb*	187069	25 lb	\$1,007.00

**75,000lb capacity has a square center*



DOUBLE-ENDED BEAM

RL75016SS

Stainless Steel, Environmentally Sealed, IP67



APPROVALS



Dimensions

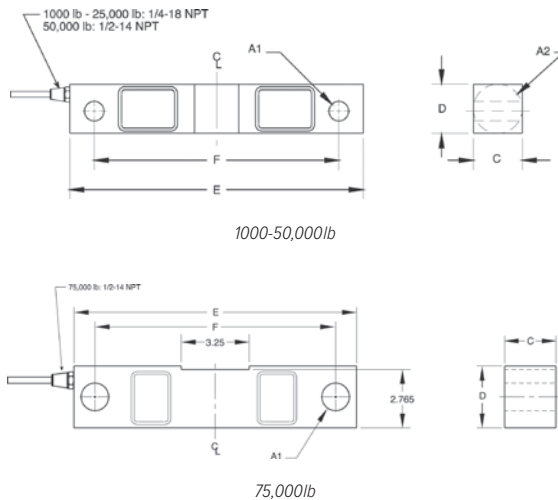
Picture is a representation of actual product

Rated Capacity	A1	A2	C	D	E	F
lb/in						
1,000-5,000	0.50	1.25	1.25	1.25	7.50	6.25
10,000-25,000	0.81	1.99	1.44	1.94	8.75	7.50
50,000	1.31	3.00	2.44	2.94	13.50	11.50
75,000	1.31	—	2.44	2.94	13.50	11.50

Order Information

Load Rating	Part #	Est. Weight	Price
1,000 lb	17301	4 lb	\$583.00
1,500 lb	17303	4 lb	\$583.00
2,000 lb	17305	4 lb	\$583.00
2,500 lb	17307	4 lb	\$583.00
5,000 lb	17310	4 lb	\$583.00
10,000 lb	17312	7 lb	\$662.00
15,000 lb	17314	7 lb	\$662.00
20,000 lb	17316	7 lb	\$662.00
25,000 lb	17318	7 lb	\$662.00
50,000 lb	17320	25 lb	\$1,298.00
75,000 lb*	25356	27 lb	\$1,298.00

*75,000lb capacity has a square center



Interchangeable Products

RICE LAKE WEIGHING SYSTEMS

RL75016WHE* page 170

VPG® SENSORTRONICS®

65016W page 327

VPG® SENSORTRONICS

65016WH* page 328

VPG® REVERE

9203 —

*Hermetically sealed

Weigh Module Available

SURVIVOR®

RL1600 HE Series page 36

Specifications

Full Scale Output:
3.0 mV/V

Output Resistance:
700 (± 5) ohm

Input Resistance:
770 (± 10) ohm

Material/Finish:
Stainless steel

Temperature:
Operating range
0°F to 150°F (-18°C to 65°C)

Seal Type:
Environmentally sealed, IP67

Safe Overload:
150% full scale

Safe Sideload:
100% full scale

Rated Excitation:
5-10 VDC (15 V maximum)

Nonlinearity:
0.07% full scale

Hysteresis:
0.02% full scale

Cable Diameter:
1,000-25,000 lb=0.200 in
50,000-75,000 lb=0.305 in
polyurethane jacket

Deflection at Capacity:
1,000-3,000 lb=0.01 in
5,000 lb=0.015 in
10,000-20,000 lb=0.022 in
25,000 lb=0.036 in
50,000 lb=0.052 in
75,000 lb=0.07 in

Insulation Resistance:
5,000 megohms

Cable Length:
25 ft

Cable Color Code:
Red +Excitation
Black -Excitation
Green +Signal
White -Signal

Warranty:
Two-year limited warranty

Approvals:
cFMus

DOUBLE-ENDED BEAM
RL75016SS-W
 Stainless Steel, Welded Seal, IP67

Interchangeable Products

- RICE LAKE WEIGHING SYSTEMS
RL75016SS page 168
 RICE LAKE WEIGHING SYSTEMS
RL75016WHE page 170



Specifications

- Full Scale Output:**
 3.0 mV/V
- Output Resistance:**
 700 (± 5) ohm
- Input Resistance:**
 770 (± 10) ohm
- Material/Finish:**
 Stainless steel
- Temperature:**
 Operating range
 0° F to 150° F (-18° C to 65° C)
- Seal Type:**
 Welded-seal, IP67
- Safe Overload:**
 100% full scale
- Rated Excitation:**
 5-10 VDC (15 V max)
- Hysteresis:**
 0.02% full scale
- Linearity:**
 0.03% full scale
- Cable Length:**
 25 ft
- Cable Color Code:**
 Red +Excitation
 Black -Excitation
 Green +Signal
 White -Signal

Warranty:
 Two-year limited warranty

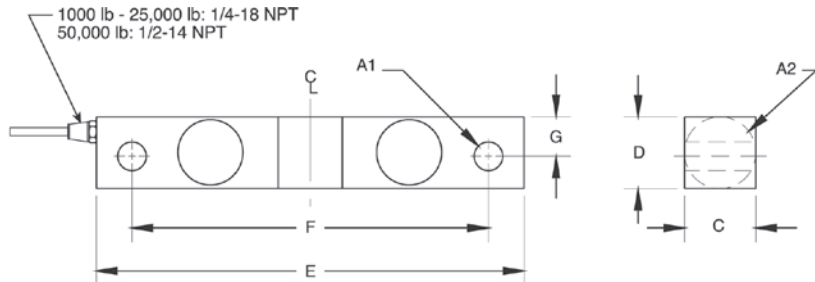
Dimensions

Picture is a representation of actual product

Rated Capacity	A1	A2	C	D	E	F	G
lb/in							
1,000-5,000	0.50	1.25	1.25	1.25	7.50	6.25	0.69
10,000-25,000	0.81	1.99	1.44	1.94	8.75	7.50	0.96
50,000	1.31	3.00	2.44	2.94	13.50	11.50	1.50

Order Information

Load Rating	Part #	Est. Weight	Price
1,000 lb	168114	5 lb	\$630.00
5,000 lb	168115	5 lb	\$630.00
10,000 lb	168116	7 lb	\$715.00
15,000 lb	168117	7 lb	\$715.00
20,000 lb	168118	7 lb	\$715.00
25,000 lb	168119	7 lb	\$715.00
50,000 lb	168120	33 lb	\$1,372.00



DOUBLE-ENDED BEAM

RL75016WHE

Stainless Steel, Hermetically Sealed, IP69K



APPROVALS



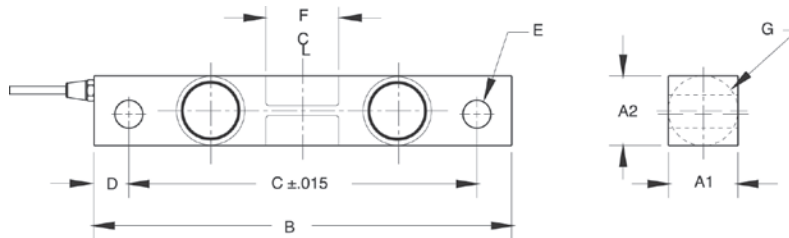
Dimensions

Picture is a representation of actual product

Rated Capacity	A1	A2	B	C	D	E	F	G	CONDUIT ADAPTER
lb/in									
1,000-5,000	1.22	1.22	7.50	6.25	0.62	0.50	1.12	1.25	1/2-14 NPT
10,000-25,000	1.44	1.94	8.75	7.50	0.62	0.81	1.62	1.99	1/2-14 NPT

Order Information

Load Rating	Part #	Est. Weight	Price
1,000 lb	67043	4 lb	\$736.00
1,500 lb	67044	4 lb	\$736.00
2,000 lb	67045	4 lb	\$736.00
2,500 lb	67046	4 lb	\$736.00
5,000 lb	67047	4 lb	\$736.00
10,000 lb	67048	7 lb	\$832.00
15,000 lb	67049	7 lb	\$832.00
20,000 lb	67050	7 lb	\$832.00
25,000 lb	67051	7 lb	\$832.00



Interchangeable Products

- RICE LAKE WEIGHING SYSTEMS
RL75016SS*page 168
- RICE LAKE WEIGHING SYSTEMS
RL75016SS-W*page 169
- VPG® SENSORTRONICS®
65016W*page 327
- VPG® SENSORTRONICS
65016WH..... page 328
**Welded seal*

Weigh Module Available

- RICE LAKE WEIGHING SYSTEMS
RL1600 Seriespage 98 and page 100

Specifications

Full Scale Output:

3.0 mV/V

Output Resistance:

699-707 ohm

Input Resistance:

686-714 ohm

Material/Finish:

Stainless steel

Temperature:

Operating range
0°F to 150°F (-18°C to 65°C)

Seal Type:

Hermetically sealed, IP69K

Safe Overload:

150% full scale

Safe Sideload:

100% full scale

Rated Excitation:

5-10 VDC (15 V maximum)

Combined Error:

0.03% full scale

Insulation Resistance:

2,000 megohms

Cable Length:

25 ft

Cable Diameter:

0.200 in polyurethane jacket

Cable Color Code:

- Red +Excitation
- Black -Excitation
- Green +Signal
- White -Signal

Warranty:

Two-year limited warranty

Approvals:

- cFMus
- Waterproof

Alloy Steel, Environmentally Sealed, NTEP Certified 1:10,000 Class III L Multiple Cell, IP67

**DISCONTINUED
LIMITED STOCK
AVAILABLE**

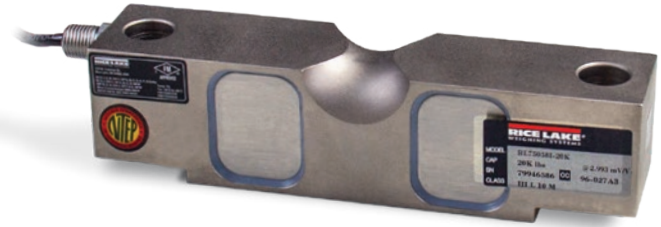
Interchangeable Products

- RICE LAKE WEIGHING SYSTEMS
RL75058-LP page 173
- VPG® SENSORTRONICS®
65058A page 329
- VPG® CELTRON
CLB page 233

Weigh Module Available

- RICE LAKE WEIGHING SYSTEMS
RL2100HE page 40
- RICE LAKE WEIGHING SYSTEMS
MVS page 106

APPROVALS



Dimensions

Picture is a representation of actual product

Rated Capacity	A	C	D	E	F	G	H	J	K	L	T
10,000-25,000 lb/in	0.68	1.69	1.94	7.75	6.50	1.38	0.75	0.90	1.63	1.70	1/4-18 NPT
40,000	0.81	1.94	2.44	10.25	8.50	1.93	1.00	1.12	2.00	2.10	1/4-18 NPT
50,000-75,000	1.06	2.44	2.94	10.25	8.50	1.93	1.00	1.37	2.54	2.65	1/2-14 NPT
100,000-125,000	1.62	2.90	3.86	15.25	12.75	3.13	1.50	1.80	3.30	3.43	1/2-14 NPT

Specifications

- Full Scale Output:**
3.0 mV/V
- Output Resistance:**
700 (± 5) ohms
- Input Resistance:**
770 (± 10) ohms
- Material/Finish:**
High-alloy steel, nickel plated
- Temperature:**
Compensated range
14°F to 104°F (-10°C to 40°C)
Operating range
0°F to 150°F (-18°C to 65°C)
- Seal Type:**
Environmentally sealed, IP67
- Safe Overload:**
150% full scale
- Safe Sideload:**
100% full scale
- Rated Excitation:**
5-10 VDC (15 V maximum)
- Combined Error:**
0.02% full scale
- Insulation Resistance:**
5,000 megohms
- Cable Length:**
35 ft
- Cable Diameter:**
10,000-25,000 lb=0.200 in
40,000-125,000 lb=0.305 in
polyurethane jacket

Cable Coloring Code:

- Red +Excitation
- Black -Excitation
- Green +Signal
- White -Signal

Warranty:

Two-year limited warranty

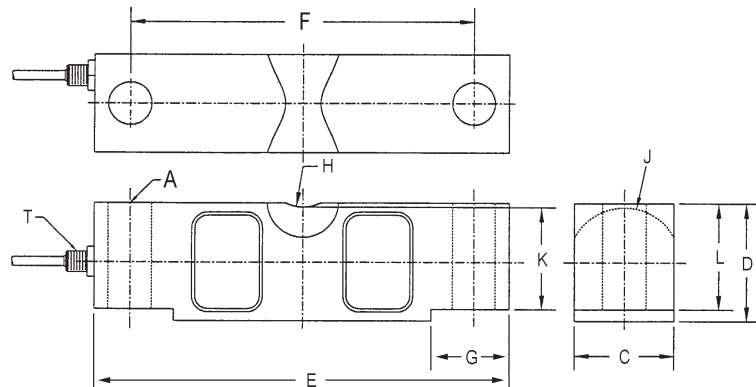
Approvals:

- cFMus
- NTEP

Order Information

Load Rating	Part #	Est. Weight	Price
NTEP Certified			
20,000 lb	34314	8 lb	\$673.00
25,000 lb	34315	8 lb	\$673.00
40,000 lb	34316	13 lb	\$805.00
50,000 lb	34317	19 lb	\$885.00
60,000 lb	34318	19 lb	\$885.00
75,000 lb	34319	19 lb	\$885.00
100,000 lb	34320	40 lb	\$1,575.00
125,000 lb	34321	40 lb	\$1,669.00
Non-NTEP Certified			
10,000 lb	41890		\$652.00
NTEP Certified 60 ft Cables			
50,000 lb	53417	20 lb	\$895.00
75,000 lb**	39516	20 lb	\$948.00
75,000 lb*	73839	20 lb	\$995.00
125,000 lb	96944	40 lb	\$1,722.00
NTEP Certified 100 ft Cable			
75,000 lb	74725	22 lb	\$1,055.00

*Stainless steel overbraid cable
**Used in Rice Lake truck scales

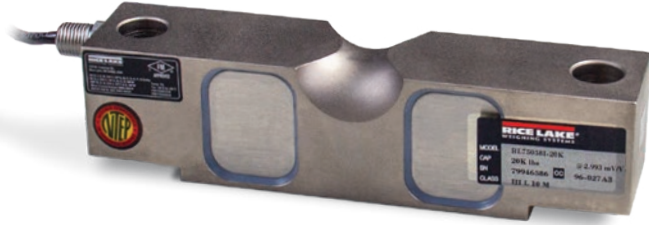


DOUBLE-ENDED BEAM

RL75058I FOR RICE LAKE COIL SCALE

Alloy Steel, Environmentally Sealed, NTEP Certified 1:5,000 Class III Multiple Cell, IP67

RICE LAKE WEIGHING SYSTEMS



APPROVALS



Specifications

- Full Scale Output:**
3.0 mV/V
- Output Resistance:**
700 (± 5) ohms
- Input Resistance:**
770 (± 10) ohms
- Material/Finish:**
High-alloy steel, nickel plated
- Temperature:**
Compensated range
14°F to 104°F (-10°C to 40°C)
Operating range
0°F to 150°F (-18°C to 65°C)
- Seal Type:**
Environmentally sealed, IP67

Dimensions

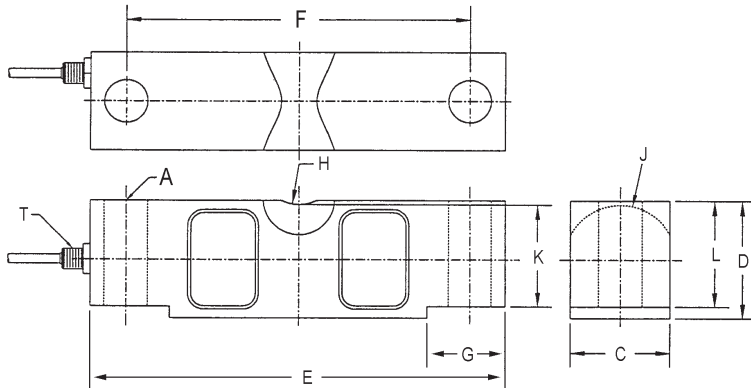
Picture is a representation of actual product

Rated Capacity	A	C	D	E	F	G	H	J	K	L	T
20,000-25,000 lb/in	0.68	1.69	1.94	7.75	6.50	1.38	0.75	0.90	1.63	1.70	1/4-18 NPT
40,000	0.81	1.94	2.44	10.25	8.50	1.93	1.00	1.12	2.00	2.10	1/4-18 NPT
50,000-75,000	1.06	2.44	2.94	10.25	8.50	1.93	1.00	1.37	2.54	2.65	1/2-14 NPT

Order Information

Load Rating	Part #	Est. Weight	Price
20,000 lb	121439	8 lb	\$673.00
25,000 lb	121440	8 lb	\$673.00
40,000 lb	121441	13 lb	\$805.00
50,000 lb	121442	19 lb	\$885.00
60,000 lb	121443	19 lb	\$885.00
75,000 lb	121444	19 lb	\$885.00

- Safe Overload:**
150% full scale
- Safe Sideload:**
100% full scale
- Rated Excitation:**
5-10 VDC (15 V maximum)
- Combined Error:**
0.02% full scale
- Insulation Resistance:**
5,000 megohms
- Cable Length:**
35 ft
- Cable Diameter:**
10,000-25,000 lb=0.200 in
40,000-125,000 lb=0.305 in
polyurethane jacket
- Cable Coloring Code:**
Red +Excitation
Black -Excitation
Green +Signal
White -Signal
- Warranty:**
Two-year limited warranty
- Approvals:**
cFMus
NTEP



www.ricelake.com | Phone: 800-472-6703

RICE LAKE

NEW

DOUBLE-ENDED BEAM

RL75058-LP

Alloy Steel, Environmentally Sealed, NTEP Certified 1:10,000 Class III L Multiple Cell, IP67

Interchangeable Products

- VPG® SENSORTRONICS®
65058A..... page 329
- VPG® CELTRON
CLB..... page 233

Weigh Module Available

- RICE LAKE WEIGHING SYSTEMS
RL2100HE..... —
- RICE LAKE WEIGHING SYSTEMS
MVS..... page 106

**Lightning Protection
Built-in**

APPROVALS



Picture is a representation of actual product

Specifications

- Full Scale Output:**
3.0 mV/V
- Output Resistance:**
700 (± 5) ohms
- Input Resistance:**
770 (± 10) ohms
- Material/Finish:**
High-alloy steel, nickel plated

- Temperature:**
Compensated range
14°F to 104°F (-10°C to 40°C)
Operating range
0°F to 150°F (-18°C to 65°C)

- Seal Type:**
Environmentally sealed, IP67

- Safe Overload:**
150% full scale

- Safe Sideload:**
100% full scale

- Rated Excitation:**
5-10 VDC (15 V maximum)

- Combined Error:**
0.02% full scale

- Insulation Resistance:**
5,000 megohms

- Cable Length:**
35 ft
60 ft
100 ft

- Cable Diameter:**
10,000-25,000 lb=0.200 in
40,000-125,000 lb=0.305 in polyurethane jacket

- Cable Coloring Code:**
Red +Excitation
Black -Excitation
Green +Signal
White -Signal

- Warranty:**
Two-year limited warranty

- Approvals:**
cFMus
NTEP

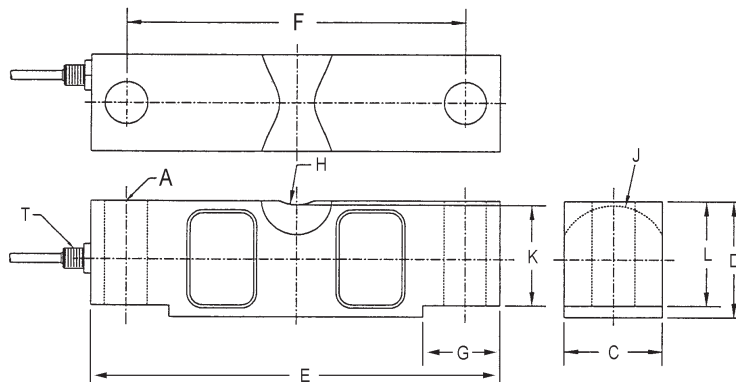
Dimensions

Rated Capacity	A	C	D	E	F	G	H	J	K	L	T
lb/in											
10,000-25,000	0.68	1.69	1.94	7.75	6.50	1.38	0.75	0.90	1.63	1.70	1/4-18 NPT
40,000	0.81	1.94	2.44	10.25	8.50	1.93	1.00	1.12	2.00	2.10	1/4-18 NPT
50,000-75,000	1.06	2.44	2.94	10.25	8.50	1.93	1.00	1.37	2.54	2.65	1/2-14 NPT
100,000-125,000	1.62	2.90	3.86	15.25	12.75	3.13	1.50	1.80	3.30	3.43	1/2-14 NPT

Order Information

Load Rating	Part #	Est. Weight	Price
NTEP Certified 35 ft Cable			
20,000 lb	197770	8 lb	\$673.00
25,000 lb	197771	8 lb	\$673.00
40,000 lb	197772	13 lb	\$805.00
50,000 lb	197773	19 lb	\$885.00
60,000 lb	197774	19 lb	\$885.00
75,000 lb	197775	19 lb	\$885.00
100,000 lb	197776	40 lb	\$1,575.00
125,000 lb	197777	40 lb	\$1,669.00
Non-NTEP Certified 35 ft Cable			
10,000 lb	197769	8 lb	\$652.00
NTEP Certified 60 ft Cable			
50,000 lb	197778	20 lb	\$895.00
75,000 lb**	197781	20 lb	\$948.00
75,000 lb*	197782	20 lb	\$995.00
125,000 lb	197779	40 lb	\$1,722.00
NTEP Certified 100 ft Cable			
75,000 lb	197780	22 lb	\$1,055.00

*Stainless steel overbraided cable
**Used in Rice Lake truck scales



RICE LAKE WEIGHING SYSTEMS

www.ricelake.com | Phone: 800-472-6703

RICE LAKE

NEW

DOUBLE-ENDED BEAM

RL75058S-LP

Stainless Steel, Hermetically Sealed, NTEP Certified 1:10,000 Class III Multiple Cell, IP68/69K

**Lightning Protection
Built-in**



APPROVALS



Interchangeable Products

RICE LAKE WEIGHING SYSTEMS
RL75058I (Alloy)..... page 171
 VPG® SENSORTRONICS®
65058S..... page 330

Weigh Module Available

RICE LAKE WEIGHING SYSTEMS
RL2100HE..... —
 RICE LAKE WEIGHING SYSTEMS
MVS..... page 106

Dimensions

Picture is a representation of actual product

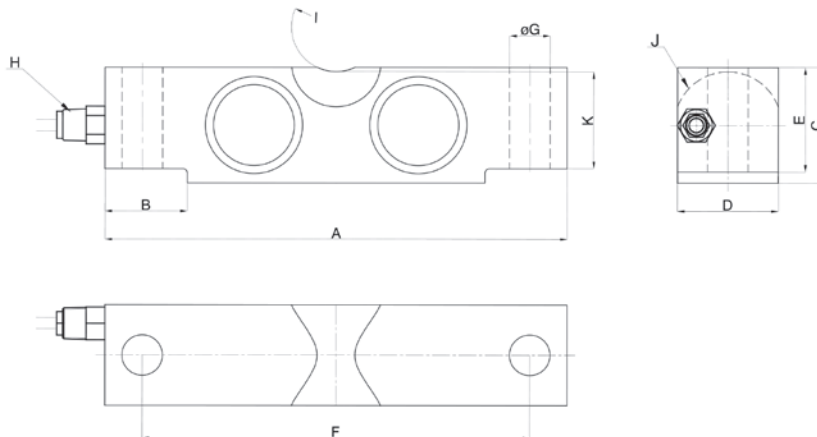
Rated Capacity	A	B	C	D	E	F	ØG	H	I	J	K
10,000-25,000 lb/in	7.75	1.38	1.94	1.69	1.70	6.50	0.68	1/4-18 NPT	R19.1	R22.9	1.63
40,000	10.25	1.93	2.44	1.94	2.10	8.50	0.81	1/4-18 NPT	R25.4	R28.5	2.00
50,000-75,000	10.25	1.93	2.94	2.44	2.65	8.50	1.06	1/2-14 NPT	R25.4	R34.8	2.54
100,000-125,000	15.25	3.13	3.86	2.90	3.43	12.75	1.62	1/2-14 NPT	R38.1	R45.7	3.30

Order Information

Load Rating	Part #	Est. Weight	Price
NTEP Certified 35 ft Cable			
20,000 lb	197797	8 lb	\$927.00
25,000 lb	197798	8 lb	\$927.00
40,000 lb	198430	13 lb	\$1,160.00
50,000 lb	197799	19 lb	\$1,160.00
60,000 lb	197800	19 lb	\$1,160.00
75,000 lb	197801	19 lb	\$1,160.00
100,000 lb	197803	40 lb	Consult
125,000 lb	197804	40 lb	Consult
Non-NTEP Certified 35 ft Cable			
10,000 lb	197796	8 lb	\$864.00
NTEP Certified 60 ft Cable			
75,000 lb	197802	20 lb	\$1,240.00

Specifications

- Full Scale Output:** 3.0 mV/V
- Output Resistance:** 700 (± 7) ohms
- Input Resistance:** 700 (± 14) ohms
- Material/Finish:** Stainless steel
- Temperature:** Compensated range 14°F to 104°F (-10°C to 40°C)
Operating range 0°F to 150°F (-18°C to 65°C)
- Seal Type:** Hermetically sealed, IP68/IP69K
- Safe Overload:** 150% full scale
- Safe Sideload:** 100% full scale
- Rated Excitation:** 5-10 VDC (15 V maximum)
- Combined Error:** 0.02% full scale
- Insulation Resistance:** 5,000 megohms
- Cable Length:** 35 ft, 60 ft
- Cable Diameter:** 10,000-25,000 lb=0.200 in
40,000-125,000 lb=0.305 in
polyurethane jacket
- Cable Coloring Code:** Red +Excitation
Black -Excitation
Green +Signal
White -Signal
- Warranty:** Two-year limited warranty
- Approvals:** cFMus
NTEP



DOUBLE-ENDED BEAM RL75060S

Stainless Steel, Welded Seal, NTEP Certified 1:5,000 III/1:10,000 Class IIII Multiple Cell, IP67

Weigh Module Available

RICE LAKE WEIGHING SYSTEMS
RL2100HE..... page 40
 RICE LAKE WEIGHING SYSTEMS
MVS.....page 106

Specifications

Full Scale Output:
3.0 mV/V

Output Resistance:
699-707 ohm

Input Resistance:
686-714 ohm

Material/Finish:
Stainless steel

Temperature:
Compensated range
14°F to 104°F (-10°C to 40°C)
Operating range
0°F to 150°F (-18°C to 65°C)

Seal Type:
Welded-seal, IP67

Safe Overload:
150% full scale

Safe Sideload:
100% full scale

Rated Excitation:
5-10 VDC (15 V maximum)

Combined Error:
0.02% full scale

Insulation Resistance:
1,000 megohms

Cable Length:
35 ft
60 ft

Cable Diameter:
20,000 lb-25,000 lb=0.200 in
35,000 lb-100,000 lb=0.305 in
polyurethane jacket

Cable Coloring:
Red +Excitation
Black -Excitation
Green +Signal
White -Signal

Warranty:
Two-year limited warranty

Approvals:
cFMus
NTEP
Waterproof

APPROVALS



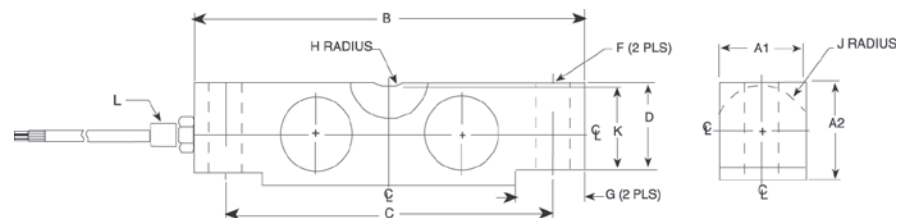
Dimensions

Picture is a representation of actual product

Rated Capacity	F	A1	A2	B	C	G	H	J	K	D	L
lb/in											
20,000-25,000	0.68	1.69	1.94	7.75	6.50	1.38	0.75	0.90	1.63	1.70	1/4-18 NPT
35,000-75,000	1.06	2.44	2.94	10.25	8.50	1.93	1.00	1.37	2.54	2.65	1/2-14 NPT
100,000	1.06	2.44	3.44	10.25	8.50	1.93	1.00	1.37	2.54	2.65	1/2-14 NPT

Order Information

Load Rating	Part #	Est. Weight	Price
35 ft Cable			
20,000 lb	53481	6 lb	\$927.00
25,000 lb	50559	6 lb	\$927.00
35,000 lb	50560	19 lb	\$1,160.00
50,000 lb	50561	19 lb	\$1,160.00
60,000 lb	50562	19 lb	\$1,095.00
75,000 lb	50563	19 lb	\$1,160.00
100,000 lb	50564	19 lb	\$2,115.00
60 ft Cable			
25,000 lb	157931	6 lb	\$980.00



DOUBLE-ENDED BEAM RL75223

Alloy Steel, Welded Seal, NTEP Certified 1:10,000 Class IIII Multiple Cell, IP67



APPROVALS



Interchangeable Products

VPG® REVERE	
5223	page 293
VPG® SENSORTRONICS®	
65040A-XX-1127W	page 334
ARTECH®	
80210	—
THURMAN®	
TSC 800	—
UNIBRIDGE®	
DL9000	—

Weigh Module Available

RICE LAKE WEIGHING SYSTEMS	
Translink	page 108

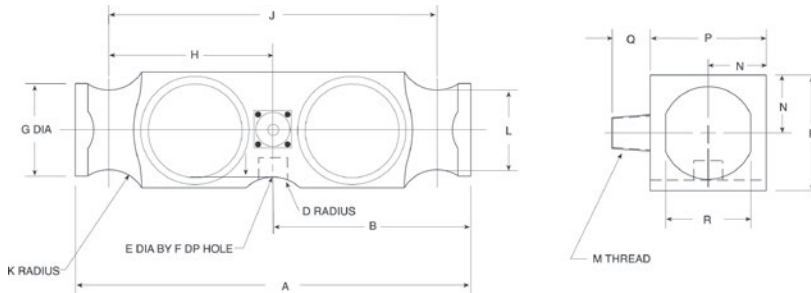
Dimensions

Picture is a representation of actual product

Rated Capacity	A	B	D	E	F	G	H	J	K	L	M	N	P	Q	R
Ib/in															
50,000-65,000	10.25	5.12	1.00	0.75	0.78	2.40	4.25	8.50	1.00	2.06	1/2-14 NPT	1.50	3.00	1.03	2.20
100,000	10.25	5.12	1.00	—	—	2.40	4.25	8.50	1.00	2.06	1/2-14 NPT	1.50	3.00	1.03	2.20

Order Information

Load Rating	Part #	Est. Weight	Price
40 ft Cable			
50,000 lb	21611	20 lb	\$900.00
65,000 lb	21612	20 lb	\$900.00
100,000 lb	21613	20 lb	\$1,160.00
60 ft Cable			
50,000 lb	107583	20 lb	\$980.00



Specifications

Full Scale Output:

3.0 mV/V

Output Resistance:

699-707 ohm

Input Resistance:

686-714 ohm

Material/Finish:

High-alloy steel

Temperature:

Compensated range
14°F to 104°F (-10°C to 40°C)
Operating range
0°F to 150°F (-18°C to 65°C)

Seal Type:

Welded-seal, IP67

Safe Overload:

150% full scale

Safe Sideload:

100% full scale

Rated Excitation:

5-10 VDC (15 V maximum)

Non-repeatability:

0.01% full scale

Combined Error:

0.03% full scale

Insulation Resistance:

5,000 megohms

Deflection at Capacity:

50,000 lb=0.018 in
65,000 lb=0.022 in
100,000 lb=0.034 in

Cable Length:

40 ft
60 ft

Cable Diameter:

0.305 in polyurethane jacket

Cable Color Code:

Red +Excitation
Black -Excitation
Green +Signal
White -Signal

Warranty:

Two-year limited warranty

Approvals:

cFMus
NTEP

DOUBLE-ENDED BEAM
RLDB50000S

Stainless Steel, Welded Seal, NTEP Certified 1:10,000 IIL Multiple Cell, IP67

Interchangeable Products

CARDINAL®
DB50000S

Specifications

- Full Scale Output:**
2.0 ± 0.1% mV/V
- Output Resistance:**
699-707 ohm
- Input Resistance:**
686-714 ohm
- Material/Finish:**
Stainless steel
- Temperature:**
Compensated Range
14°F to 104°F (-10°C to 40°C)
Operating range
0° F to 150° F (-18° C to 65° C)
- Seal Type:**
Welded-seal, IP67
- Safe Overload:**
150% full Scale
- Safe Sideload:**
100% full Scale
- Rated Excitation:**
5-10 VDC (15 V DC maximum)
- Non-repeatability:**
0.01% full scale
- Combined Error:**
0.03% full scale
- Insulation Resistance:**
5,000 megohms
- Deflection at Capacity:**
0.01 in
- Cable Length:**
35 ft
- Cable Diameter:**
0.305 in polyurethane jacket
- Cable Color Code:**
Red +Excitation
Black -Excitation
White +Signal
Green -Signal
- Warranty:**
Two-year limited warranty
- Approvals:**
cFMus
NTEP

APPROVALS



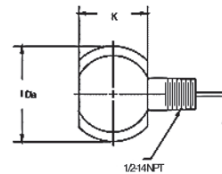
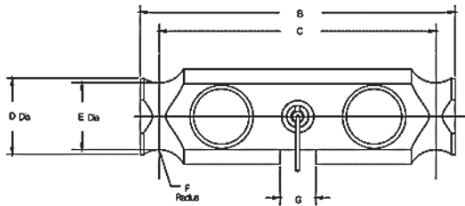
Dimensions

Picture is a representation of actual product

Rated Capacity	B	C	D	E	F	G	K	I
50,000 lb/in								
50,000	8.25	7.25	2.00	1.76	0.75	0.93	1.8	2.5

Order Information

Load Rating	Part #	Est. Weight	Price
50,000 lb	91765	10 lb	\$1,266.00



RICE LAKE WEIGHING SYSTEMS

www.ricelake.com | Phone: 800-472-6703

RICE LAKE

DOUBLE-ENDED BEAM RL75040

Alloy Steel, Environmentally Sealed, NTEP Certified 1:10,000 Class IIIIL Multiple Cell, IP67



APPROVALS



Interchangeable Products

VPG® SENSORTRONICS®	
65040A	page 332
ARTECH®	
80310	—
THURMAN®	
TSC 840	—
SENTRAN	
WD1	—
ANYLOAD	
102TH	—

Weigh Module Available

RICE LAKE WEIGHING SYSTEMS	
Translink™	page 108

Dimensions

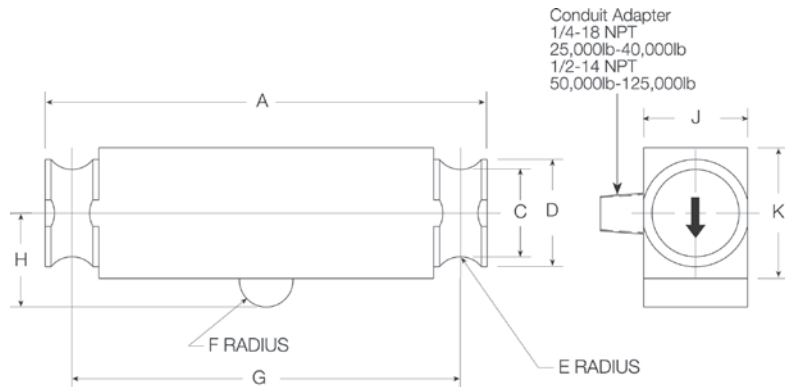
Picture is a representation of actual product

Rated Capacity	A	C	D	E	F	G	H	J	K
lb/in									
25,000-60,000 SE	8.25	1.63	2.00	0.50	0.50	7.25	1.75	1.94	2.44
50,000 LE-75,000	11.50	1.70	2.20	0.75	1.00	10.00	2.00	1.94	2.94
100,000-125,000	14.50	2.44	3.20	1.00	1.50	12.50	2.75	2.90	3.86

Order Information

Load Rating	Part #	Est. Weight	Price
35 ft Cable			
25,000 lb	21614	11 lb	\$673.00
40,000 lb	21615	12 lb	\$805.00
50,000 lb LE	21616	17 lb	\$885.00
60,000 lb LE	21617	17 lb	\$885.00
75,000 lb	21618	17 lb	\$885.00
100,000 lb	21619	40 lb	\$1,669.00
125,000 lb	21620	40 lb	\$1,669.00
40 ft Cable			
50,000 lb SE	87253	11 lb	\$805.00
60,000 lb SE	53593	11 lb	\$805.00
50 ft Cable			
50,000 lb LE	21621	18 lb	\$917.00
60,000 lb LE	21622	18 lb	\$917.00
75,000 lb	40951	18 lb	\$917.00

SE=small envelope; LE=large envelope



Specifications

- Full Scale Output:**
3.0 mV/V
- Output Resistance:**
700 (± 5) ohm
- Input Resistance:**
770 (± 10) ohm
- Material/Finish:**
High-alloy steel, nickel plated
- Temperature:**
Compensated range
14°F to 104°F (-10°C to 40°C)
Operating range
0° F to 150° F (-18° C to 65° C)
- Seal Type:**
Environmentally sealed, IP67
- Safe Overload:**
150% full scale
- Safe Sideload:**
100% full scale
- Rated Excitation:**
5-10 VDC (15 V maximum)
- Combined Error:**
0.03% full scale
- Insulation Resistance:**
1,000 megohms
- Cable Length:**
35 ft
40 ft
50 ft
- Cable Diameter:**
25,000 lb=0.200 in
40,000-75,000 lb=0.305 in
polyurethane jacket
- Cable Coloring Code:**
Red +Excitation
Black -Excitation
Green +Signal
White -Signal
- Warranty:**
Two-year limited warranty
- Approvals:**
cFMus
NTEP

Stainless Steel, Welded Seal, NTEP Certified 1:10,000 Class III L Multiple Cell, IP67

Interchangeable Products

- VPG® REVERE
CSP page 301
- VPG® SENSORTRONICS®
65088-1000 —
- VPG® REVERE
692B —
- HOWE RICHARDSON®
244699-000X —
- STREETER AMET®
3760XXX —

Weigh Module Available

- RICE LAKE WEIGHING SYSTEMS
MagnaMountpage 111

Specifications

- Full Scale Output:**
2.0 mV/V
- Output Resistance:**
475.2-484.8 ohm
- Input Resistance:**
445.5-454.5 ohm
- Material/Finish:**
Stainless steel
- Temperature:**
Compensated range
14°F to 104°F (-10°C to 40°C)
Operating range
0° F to 150° F (-18° C to 65° C)
- Seal Type:**
Welded-seal, IP67
- Safe Overload:**
150% full scale
- Rated Excitation:**
5-10 VDC (15 V maximum)
- Combined Error:**
0.03% full scale
- Non-repeatability:**
0.01% full scale
- Insulation Resistance:**
1,000 megohms
- Deflection at Capacity:**
25,000-50,000 lb=0.003 in
100,000-125,000 lb=0.006 in
- Cable Length:**
35 ft
80 ft
- Cable Diameter:**
0.305 in polyurethane jacket
- Cable Color Code:**
Green +Excitation
Black -Excitation
White +Signal
Red -Signal
Orange Shield
- Warranty:**
Two-year limited warranty

Approvals:

- cFMus
- NTEP

APPROVALS



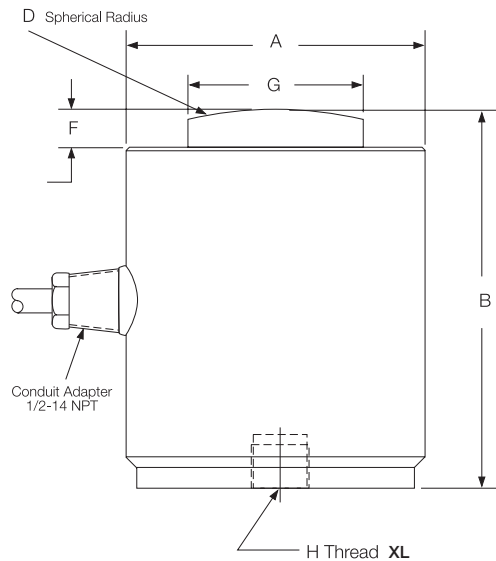
Dimensions

Picture is a representation of actual product

Rated Capacity	A	B	D	F	G	H	L-DEPTH
lb/in							
25,000-50,000	3.00	3.25	6.00	0.40	1.25	1/2-20 UNF	0.31
100,000	4.00	5.00	6.00	0.51	2.31	3/4-16 UNF	0.56
200,000	6.00	7.25	17.00	1.04	3.13	3/4-16 UNF	0.75

Order Information

Load Rating	Part #	Est. Weight	Price
35 ft Cable			
25,000 lb	32702	7 lb	\$1,903.00
50,000 lb	32701	7 lb	\$1,903.00
100,000 lb	32700	15 lb	\$2,226.00
200,000 lb	32699	28 lb	\$3,175.00
80 ft Cable			
200,000 lb	197788	30 lb	\$3,312.00



COMPRESSION CANISTER

RL8C2P1SST

Stainless Steel, Hermetically Sealed, NTEP Certified 1:10,000 Class III Multiple Cell, IP68



Interchangeable Products

VPG® REVERSE

792 page 302

APPROVALS



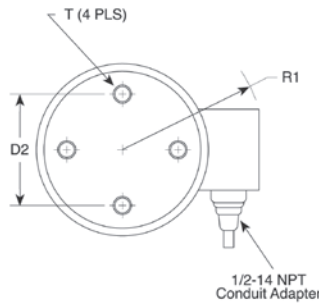
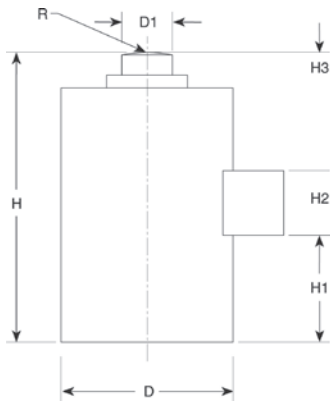
Dimensions

Picture is a representation of actual product

Rated Capacity	D	D1	D2	H	H1	H2	H3	R	R1	T
50,000	4.50	1.25	2.38	7.50	1.17	0.75	0.75	8.00	3.75	3/8-24 UNF x .63 DP
100,000	5.75	1.75	4.00	9.13	2.00	0.87	1.05	12.00	4.05	1/2-20 UNF x .75 DP
200,000	7.50	2.50	5.50	11.63	2.93	0.97	0.97	12.00	5.11	5/8-18 UNF x 25.4 DP

Order Information

Load Rating	Part #	Est. Weight	Price
50,000 lb	34855	20 lb	\$2,325.00
100,000 lb	34856	36 lb	\$2,325.00
200,000 lb	34857	75 lb	\$3,598.00



Specifications

Full Scale Output:

2.0 mV/V

Output Resistance:

350 (± 3.5) ohm

Input Resistance:

350 (± 3.5) ohm

Material/Finish:

Stainless steel

Temperature:

Compensated range

14°F to 104°F (-10°C to 40°C)

Operating range

0°F to 150°F (-18°C to 65°C)

Seal Type:

Hermetically sealed, IP68

Safe Overload:

150% full scale

Rated Excitation:

10 VDC (15 V maximum)

Non-repeatability:

0.01% full scale

Combined Error:

0.03% full scale

Insulation Resistance:

>1,000 megohms

Deflection at Capacity:

50,000 lb=0.004 in

100,000 lb=0.006 in

200,000 lb=0.009 in

Cable Length:

35 ft

Cable Color Code:

Green +Excitation

Black -Excitation

White +Signal

Red -Signal

Orange Shield

Warranty:

Two-year limited warranty

Approvals:

cFMus

NTEP

ROCKER COLUMN RLSCA-50K

Stainless Steel, Welded Seal, NTEP Certified 1:10,000 Class III L Multiple Cell, IP67

Interchangeable Products

CARDINAL®
SCA-50K.....-

Specifications

Full Scale Output:

2 mv/V nominal

Output Resistance:

1,050 (± 10) ohm

Input Resistance:

1,100-1,500 ohm

Material/Finish:

Stainless Steel

Temperature:

Compensated range
14°F to 104°F (-10°C to 40°C)
Operating range
0° F to 150° F (-18° C to 65° C)

Seal Type:

Welded-seal, IP67

Safe Overload:

150% full scale

Rated Excitation:

5-10 VDC (15 V maximum)

Combined Error:

0.025% full scale

Non-repeatability:

0.01% full scale

Insulation Resistance:

1,000 megohms

Cable Length:

30 ft

Cable Diameter:

0.200 in polyurethane jacket

Cable Color Code:

Green +Excitation
Black -Excitation
Red +Signal
White -Signal

Warranty:

Two-year limited warranty

Approvals:

NTEP
cFMus

APPROVALS



Dimensions

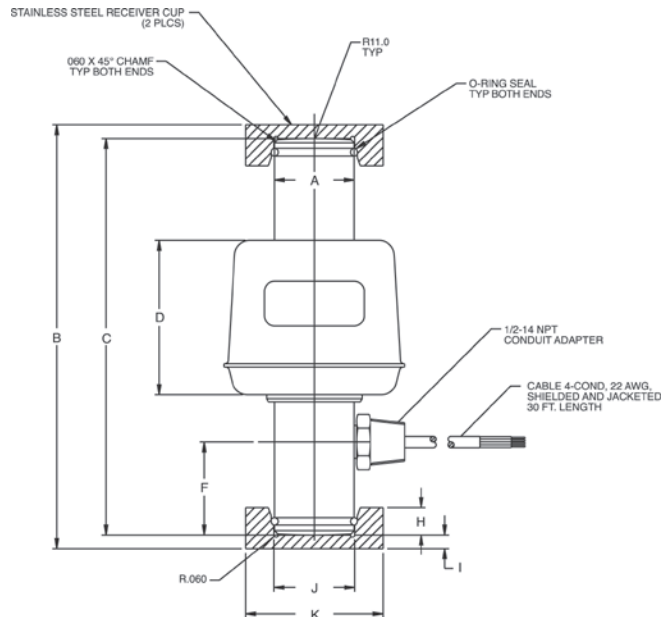
Picture is a representation of actual product

Rated Capacity	A	B	C	D	F	H	I	J	K
50,000 lb/in	1.46	7.75	7.25	2.82	1.70	0.50	0.25	1.48	2.50

Order Information

Load Rating	Part #	Est. Weight	Price
50,000 lb*	68918	7 lb	\$1,055.00
Replacement Parts			
Replacement load cup set upper and lower included	85433	1 lb	\$100.00
Replacement O-ring	92988	1 lb	\$1.00/each

*Load cell supplied with load cups



ROCKER COLUMN

RL70510-30 t/RL80453-100,000 lb

Stainless Steel, Hermetically Sealed, NTEP Certified 1:10,000 Class III L, IP69K



APPROVALS



Picture is a representation of actual product

Dimensions

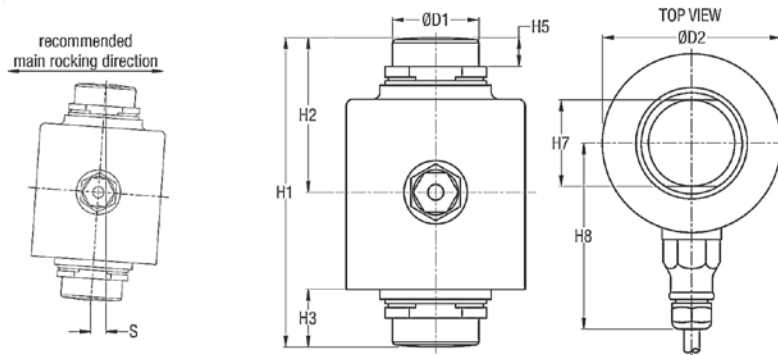
Rated Capacity	H1	H2	H3	H5	H7	H8	D1	D2
t/in								
30	5.51	2.76	1.02	0.51	1.54	3.32	1.54	3.18
lb/in								
100,000	5.91	2.95	1.30	0.51	1.54	3.32	1.54	3.18

Order Information: RL70510

Load Rating	Part #	Est. Weight	Price
30 t	169363	6 lb	\$1,044.00
Upper load cup	109332	4 lb	\$143.00
Lower load cup	109331	4 lb	\$116.00

Order Information: RL80453

Load Rating	Part #	Est. Weight	Price
100,000 lb	169365	6 lb	\$1,070.00
Upper load cup	109332	4 lb	\$143.00
Lower load cup	109331	4 lb	\$116.00



Interchangeable Products

FAIRBANKS®	
70510 LCF HR 4020-2A
FAIRBANKS	
80453 LCF HR 4020-21

Specifications

- Full Scale Output:**
2.0 mV/v
- Output Resistance:**
1,000 (± 2) ohm
- Input Resistance:**
1,150 (± 50) ohm
- Material/Finish:**
Stainless steel
- Temperature:**
Compensated range
14°F to 104°F (-10°C to 40°C)
Operating range
0° F to 150° F (-18° C to 65° C)
- Seal Type:**
Hermetically sealed, IP69K
- Safe Overload:**
200% full scale
- Rated Excitation:**
5-10 VDC (15 V max)
- Combined Error:**
0.02% full scale
- Insulation Resistance:**
5,000 megohms
- Cable Length:**
15 ft
- Cable Diameter:**
0.200 in stainless steel overbraid cable
- Cable Color Code:**
Green +Excitation
Black -Excitation
White +Signal
Red -Signal
Yellow Shield
- Warranty:**
Two-year limited warranty
- Approvals:**
NTEP

Interchangeable Products

FAIRBANKS®
64166 LCF HR 4020-2

Specifications

- Full Scale Output:**
1.8 mV/v nominal
- Output Resistance:**
1,000 (± 10) ohm
- Input Resistance:**
1,000 ohm
- Material/Finish:**
Stainless steel
- Temperature:**
Compensated range
14°F to 104°F (-10°C to 40°C)
Operating range
0° F to 150° F (-18° C to 65° C)
- Seal Type:**
Welded-seal, IP67
- Safe Overload:**
150% full scale
- Rated Excitation:**
5-10 VDC
- Combined Error:**
0.025% full scale
- Non-repeatability:**
0.01% full scale
- Insulation Resistance:**
1,000 megohms
- Cable Length:**
30 ft
- Cable Diameter:**
0.200 in overbraid cable
- Cable Color Code:**
Green +Excitation
Black -Excitation
White +Signal
Red -Signal
- Warranty:**
Two-year limited warranty
- Approvals:**
NTEP
cFMus

APPROVALS



Dimensions

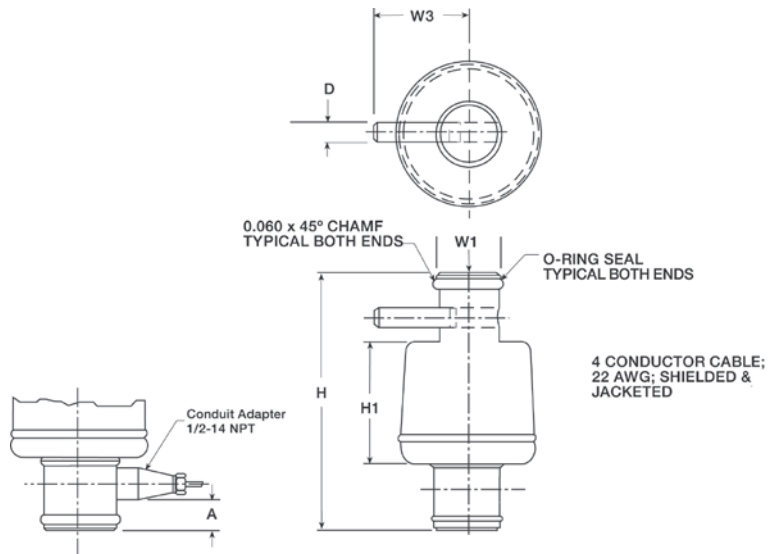
Picture is a representation of actual product

Rated Capacity	A	D	H	H1	W1	W3
50,000 LE	0.87	0.38	7.56	2.82	1.46	2.18

Order Information

Load Rating	Part #	Est. Weight	Price
50,000 lb LE	88074	6 lb	\$1,266.00
Replacement Parts			
Replacement O-ring	92988	1lb	\$1.00
Spring pin	116181	1lb	\$5.00

LE=Large envelope
 Not interchangeable with Sentsortronics 65114 - different mV/v



COMPRESSION DISK RL90000

Alloy Steel, Environmentally Sealed, IP67



25K shown



5K shown

Load cup sold separately on 5,000 and 10,000 lb models.

APPROVALS



Interchangeable Products

VPG® CELTRON

LCD page 236

Specifications

Full Scale Output:

4.0 mV/V

Output Resistance:

5,000 lb-50,000 lb=350 (± 3) ohm
100,000 lb=700 (± 5) ohm

Input Resistance:

5,000 lb-50,000 lb=385 (± 5) ohm
100,000 lb =770 (± 70) ohm

Material/Finish:

High-alloy steel, nickel plated

Temperature:

Operating range
0° F to 150° F (-18° C to 65° C)

Seal Type:

Environmentally sealed, IP67

Safe Overload:

150% full scale

Safe Sideload:

100% full scale

Rated Excitation:

15 VDC (15 V maximum)

Nonlinearity:

0.05% full scale

Hysteresis:

0.02% full scale

Insulation Resistance:

2,000 megohms

Cable Length:

50 ft

Cable Diameter:

5,000-25,000 lb=0.200 in
50,000-100,000 lb=0.305 in
polyurethane jacket

Cable Color Code:

Red +Excitation
Black -Excitation
Green +Signal
White -Signal

Warranty:

Two-year limited warranty

Approvals:

cFMus

Dimensions

Picture is a representation of actual product

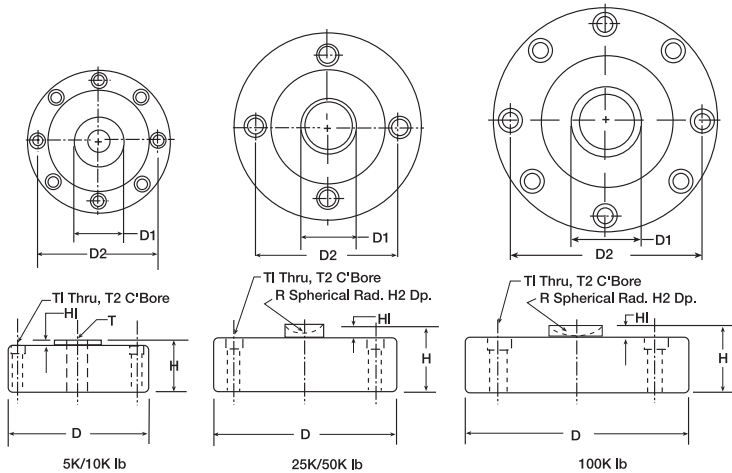
Rated Capacity	T	R	D	D1	D2	H	H1	H2	T1	T2	
5,000*-10,000*	5/8-18 UNF-3B	—	4.12	1.26	3.50	1.37	0.12	—	0.28	0.406 × 0.283 DP	
25,000-50,000	—	—	0.875	4.75	1.53	4.00	2.12	0.50	0.30	0.34	0.508 × 0.38 DP
100,000	—	—	0.875	5.50	1.98	4.60	2.25	0.25	0.30	0.41	0.626 × 0.4 DP

Order Information

Load Rating	Part #	Est. Weight	Price
5,000 lb*	33061	6 lb	\$689.00
10,000 lb*	33062	6 lb	\$689.00
25,000 lb	33063	9 lb	\$843.00
50,000 lb	33064	9 lb	\$843.00
100,000 lb	33065	13 lb	\$990.00
Load Cup**	33616		\$37.00

*5,000lb and 10,000lb models can be used in compression and tension load applications.

**Load cup, PN 33616, is required for compression applications on 5,000lb and 10,000lb capacity load cells.



Stainless Steel, Environmentally Sealed, NTEP Certified 1:3,000 Class III Single Cell, IP67

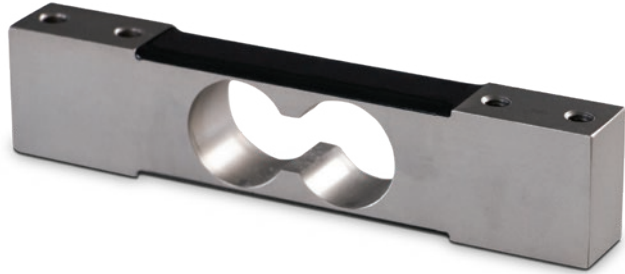
Interchangeable Products

- RICE LAKE WEIGHING SYSTEMS
RL1380..... page 199
 FLINTEC
PC3..... page 253
 HBM®
PWS.....page 267

Specifications

- Full Scale Output:**
2 mv/v
- Output Resistance:**
350 (± 10) ohms
- Input Resistance:**
385 (± 15) ohms
- Material Finish:**
Stainless steel
- Temperature Compensation:**
Compensated Range
14°F to 104°F (-10°C to 40°C)
Operating Range
0°F to 150°F (-18°C to 65°C)
- Seal Type:**
Environmentally sealed, IP67
- Safe Overload:**
150% full scale
- Rated Excitation:**
5-10 VDC
- Insulation Resistance:**
5,000 megohms
- Max Platform Size:**
7-30 kg=350mm × 350mm
60-150 kg=450mm × 450mm
- Combined Error:**
0.02% full scale
- Cable Length:**
10 ft
- Cable Diameter:**
0.140 in polyurethane jacket
- Color Code:**
Green +Excitation
Black -Excitation
White +Signal
Red -Signal
Yellow Shield
- Warranty:**
One-year limited warranty
- Approvals:**
NTEP
OIML

APPROVALS



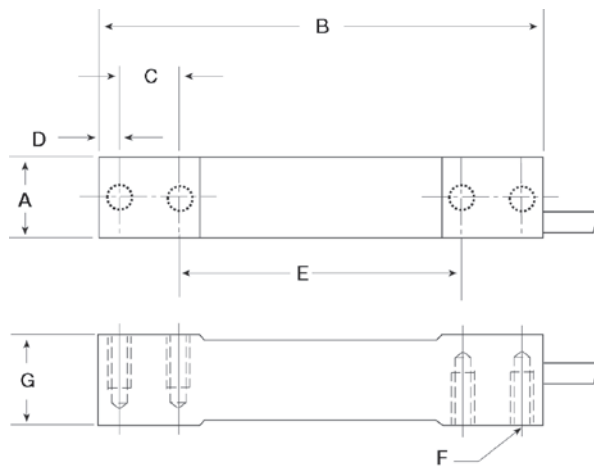
Dimensions

Picture is a representation of actual product

Rated Capacity	A	B	C	D	E	F	G
kg/mm							
7-10	30.2	139.7	19.1	6.4	88.9	1/4-20 UNC	19.1
30-60	30.2	139.7	19.1	6.4	88.9	1/4-20 UNC	23.9
100-150	30.2	139.7	22.3	7.8	79.2	3/8-16 UNC	30.7

Order Information

Load Rating	Part #	Est. Weight	Price
7 kg	205274	2 lb	\$328.00
10 kg	205275	2 lb	\$328.00
30 kg	205276	2 lb	\$328.00
60 kg	205277	2 lb	\$328.00
100 kg	205278	2 lb	\$328.00
150 kg	205279	2 lb	\$328.00



NEW

SINGLE POINT

RLPC4SS-HE

Stainless Steel, Hermetically Sealed, NTEP Certified 1:5,000 Class III Single Cell, IP68



APPROVALS



Interchangeable Products

FLINTEC

PC4 page 254

HBM®

PW15AH* page 266

*350 Ohms

Specifications

Full Scale Output:
2 mv/v

Output Resistance:
960 (± 50) ohms

Input Resistance:
1100 (± 50) ohms

Material Finish:
Stainless Steel

Temperature Compensation:
Compensated Range
14°F to 104°F (-10°C to 40°C)
Operating Range
0°F to 150°F (-18°C to 65°C)

Seal Type:
Hermetically sealed, IP68

Safe Overload:
150% full scale

Rated Excitation:
5-10 VDC

Insulation Resistance:
Greater than 5,000 megohms

Max Platform Size:
500 mm × 400 mm

Combined Error:
0.02% full scale

Cable Length:
10 ft

Color Code:
Green +Excitation
Black -Excitation
White +Signal
Red -Signal
Blue +Sense
Brown -Sense
Yellow Shield

Warranty:
One-year limited warranty

Approvals:
NTEP
OIML

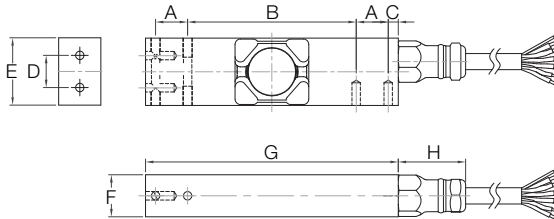
Dimensions

Picture is a representation of actual product

Rated Capacity	A	B	C	D	E	F	G	H
kg/mm								
10-100	19.00	100.00	6.00	19.10	40.00	25.00	150.00	40.00

Order Information

Load Rating	Part #	Est. Weight	Price
10 kg	205270	3 lb	\$630.00
20 kg	205271	3 lb	\$630.00
50 kg	205272	3 lb	\$630.00
100 kg	205273	3 lb	\$630.00



Interchangeable Products

FLINTEC
PC6 page 255

Specifications

- Full Scale Output:**
2.0 mv/v
- Output Resistance:**
960 (± 50) ohm, nominal
- Input Resistance:**
1,100 (± 50) ohm
- Material/Finish:**
Stainless steel
- Temperature:**
Compensated range
14° F to 104° F (-10° C to 40° C)
Operating range
0° F to 150° F (-18° C to 65° C)
- Seal Type:**
Hermetically sealed, IP69K
- Safe Overload:**
200% full scale
- Safe Sideload:**
100% full scale
- Rated Excitation:**
5-10 VDC
- Combined Error:**
0.02% full scale
- Insulation Resistance:**
5,000 megohms
- Cable Length:**
10 ft
- Cable Diameter:**
0.196 in polyurethane jacket
- Cable Color Code:**
Green +Excitation
Black -Excitation
White +Signal
Red -Signal
Yellow Shield
- Max Deflection:**
0.006-0.010 in
- Max Platform Size:**
24 in × 24 in
- Warranty:**
Two-year limited warranty
- Approvals:**
FM
NTEP

APPROVALS



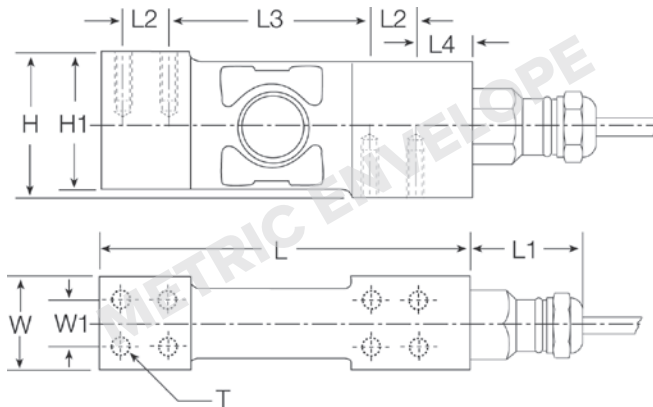
Dimensions

Picture is a representation of actual product

Rated Capacity	H	H1	L	L1	L2	L3	L4	W	W1	T
kg/mm										
10-200	48.0	45.5	123.0	41.0	15.2	67.6	17.8	30.1	15.2	8 × M6/15 DP

Order Information

Load Rating	Part #	Est. Weight	Price
10 kg	87027	3 lb	\$630.00
20 kg	87028	3 lb	\$630.00
50 kg	87029	3 lb	\$630.00
100 kg	87030	3 lb	\$630.00
200 kg	87031	3 lb	\$630.00



SINGLE POINT

RLPWM15HE

Stainless Steel, Hermetically Sealed, NTEP Certified 1:5,000 Class III Single Cell, IP69K



APPROVALS



Interchangeable Products

HBM®
PW15AH..... page 266

Specifications

- Full Scale Output:**
2.0 mV/V
- Output Resistance:**
350 (± 10) ohm
- Input Resistance:**
380 (± 15) ohm
- Material/Finish:**
Stainless steel
- Temperature:**
Compensated range
14°F to 104°F (-10°C to 40°C)
Operating range
0° F to 150° F (-18° C to 65° C)

Seal Type:
Hermetically sealed, IP69K

Safe Overload:
150% full scale

Rated Excitation:
5-10 VDC (15 V maximum)

Combined Error:
0.02% full scale

Insulation Resistance:
1,000 megohms

Cable Length:
10 ft
2.83 ft

Cable Diameter:
0.212 in PVC jacket

Cable Color Code:
Blue +Excitation
Black -Excitation
White +Signal
Red -Signal
Green +Sense
Grey -Sense

Warranty:
Two-year limited warranty

Approvals:
FM
NTEP

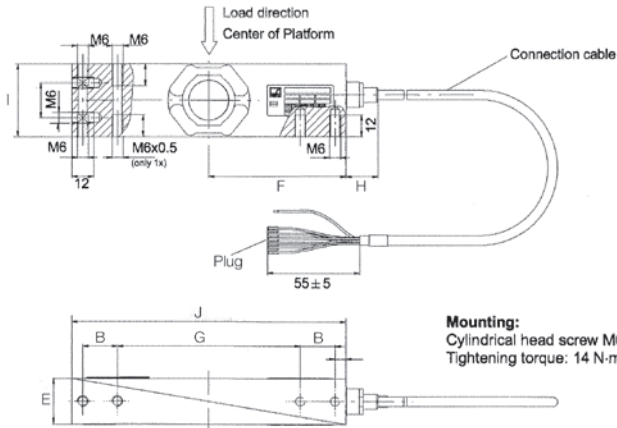
Dimensions

Picture is a representation of actual product

Rated Capacity	B	E	F	G	H	I	J
kg/mm							
10-100	19.0	25.0	75.0	100.0	17.5	40.0	150.0

Order Information: 10 ft cables

Load Rating	Part #	Est. Weight	Price
10 ft Cable			
10 kg	108685	3 lb	\$768.00
20 kg	108686	3 lb	\$768.00
50 kg	108687	3 lb	\$768.00
100 kg	108688	3 lb	\$768.00
2.83 ft Cable			
10 kg	107174	3 lb	\$768.00
20 kg	107175	3 lb	\$768.00
50 kg	107176	3 lb	\$768.00
100 kg	107177	3 lb	\$768.00



Stainless Steel, Environmentally Sealed, NTEP Certified 1:5,000 Class III Single Cell, IP67

Interchangeable Products

- HBM®
PW15..... page 265
- VPG® TEDEA-HUNTLEIGH
1142..... page 354

Specifications

- Full Scale Output:**
2.0 mV/V
- Bridge Resistance:**
350 ohm, nominal
- Material/Finish:**
Stainless steel
- Temperature:**
Compensated range
14°F to 104°F (-10°C to 40°C)
Operating range
0° F to 150° F (-18° C to 65° C)
- Seal Type:**
Environmentally sealed, IP67

- Safe Overload:**
150% full scale
- Rated Excitation:**
5-10 VDC (15 V maximum)
- Combined Error:**
0.02% full scale
- Insulation Resistance:**
1,000 megohms
- Cable Length:**
10 ft
- Cable Diameter:**
0.190 in PVC jacket
- Max Platform Size:**
15 in x 15 in
- Cable Color Code:**
Blue +Excitation
Black -Excitation
White +Signal
Red -Signal
Green +Sense
Grey -Sense

Warranty:
Two-year limited warranty

Approvals:
FM
NTEP

APPROVALS



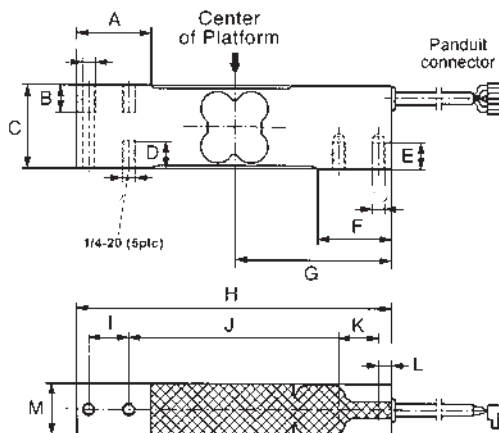
Dimensions

Picture is a representation of actual product

Rated Capacity	A	B	C	D	E	F	G	H	I	J	K	L	M	T	
kg/mm	10 - 150	35.0	13.0	40.0	13.0	13.0	35.0	75.0	150.0	19.0	100.0	19.0	6.2	25.0	1/4-20 UNC

Order Information

Load Rating	Part #	Est. Weight	Price
10 kg	119904	1 lb	\$344.00
15 kg	119912	1lb	\$344.00
20 kg	119905	1lb	\$344.00
30 kg	119906	1lb	\$344.00
50 kg	119908	1lb	\$344.00
75 kg	119909	1lb	\$344.00
100 kg	119910	1lb	\$344.00
150 kg	119911	1lb	\$344.00



SINGLE POINT

RLPCBC-60

Stainless Steel, Hermetically Sealed, NTEP Certified 1:5,000 Class III Single Cell, IP69K



APPROVALS



Specifications

- Full Scale Output:**
2 mv/v
- Output Resistance:**
960 (± 50) ohm
- Input Resistance:**
1,100 (± 50) ohm
- Material/Finish:**
Stainless steel
- Temperature:**
Compensated range:
14° F to 104° F (-10° C to 40° C)
Operating range
0° F to 150° F (-18° C to 65° C)
- Seal Type:**
Hermetically sealed, IP69K
- Safe Overload:**
200% full scale
- Safe Sideload:**
100% full scale
- Rated Excitation:**
5-10 VDC
- Combined Error:**
0.020% full scale
- Insulation Resistance:**
5,000 megohms
- Cable Length:**
10 ft
- Cable Diameter:**
0.196 in polyurethane jacket
- Cable Color Code:**
Green +Excitation
Black -Excitation
White +Signal
Red -Signal
Blue +Sense
Brown -Sense
Yellow Shield
- Max Platform Size:**
24 in × 24 in
- Warranty:**
Two-year limited warranty
- Approvals:**
FM
NTEP

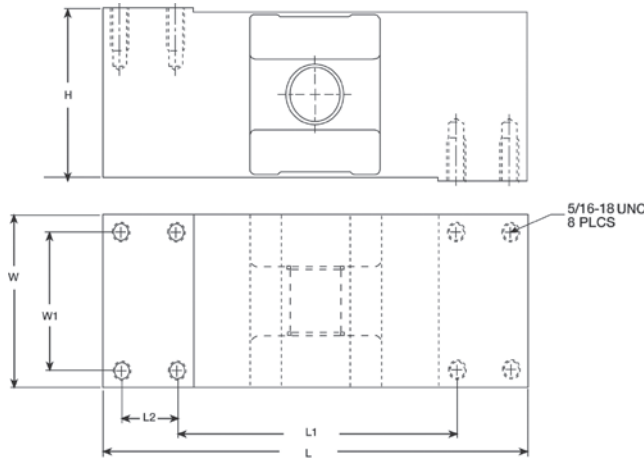
Dimensions

Picture is a representation of actual product

Rated Capacity	L	L1	L2	W	W1	H
kg/mm						
50-1,000	190.5	107.0	35.0	73.7	50.0	73.7

Order Information

Load Rating	Part #	Est. Weight	Price
50 kg	87022	12 lb	\$980.00
100 kg	87023	12 lb	\$980.00
250 kg	87024	13 lb	\$980.00
500 kg	87025	13 lb	\$980.00
1,000 kg	87026	15 lb	\$925.00



Aluminum, Environmentally Sealed, NTEP Certified 1:5,000 Class III Single Cell, IP66

Interchangeable Products

VPG® CELTRON

LPS except 3 kg page 234

VPG® TEDEA-HUNTLEIGH

1022 page 346

VPG® BLH

C2G1..... —

FAIRBANKS®

4900 Series
Checkweighers..... —

NMB®

C2G1..... —

ARTECH®

61022..... —



APPROVALS



Dimension

Picture is a representation of actual products

Rated Capacity	A	B	C	D	E	F	G	H
kg/mm								
3-7	130.0	22.0	25.0	M6 × 1.0	25.4	15.0	106.0	12.0
10-30	130.0	22.0	25.0	M6 × 1.0	30.0	15.0	106.0	12.0
35	130.0	22.0	25.0	M6 × 1.0	40.0	15.0	106.0	12.0

Specifications

Full Scale Output:
2.0 mV/V

Output Resistance:
350 (± 3) ohm

Input Resistance:
410 (± 15) ohm

Material/Finish:
Aluminum

Temperature:
Compensated range
14°F to 104°F (-10°C to 40°C)
Operating range
0° F to 150° F (-18° C to 65° C)

Seal Type:
Environmentally sealed, IP66

Safe Overload:
150% full scale

Rated Excitation:
5-10 VDC (15 V maximum)

Combined Error:
0.03% full scale

Insulation Resistance:
2,000 megohms

Cable Length:
10 ft
1.50 ft

Cable Diameter:
0.14 in PVC jacket

Cable Color Code:
Green +Excitation
Black -Excitation
Red +Signal
White -Signal

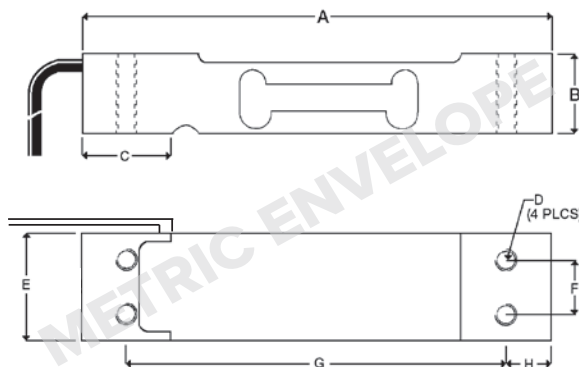
Max Platform Size:
13.75 in × 13.75 in

Warranty:
Two-year limited warranty

Approvals:
cFMus
NTEP

Order Information:

Load Rating	Part #	Est. Weight	Price
1.50 ft Cables			
3 kg	50620	1 lb	\$148.00
5 kg	50619	1 lb	\$148.00
7 kg	50621	1 lb	\$148.00
10 kg	50622	1 lb	\$148.00
15 kg	50623	1 lb	\$148.00
20 kg	50624	1 lb	\$148.00
30 kg	50625	1 lb	\$148.00
35 kg	50626	1 lb	\$148.00
10 ft Cables			
3 kg	132261	3 lb	\$148.00
5 kg	132262	3 lb	\$148.00
7 kg	132263	3 lb	\$148.00
10 kg	132264	3 lb	\$148.00
15 kg	132265	3 lb	\$148.00
20 kg	132266	3 lb	\$148.00
30 kg	132267	3 lb	\$148.00
35 kg	132268	3 lb	\$148.00



SINGLE POINT
RL1010

Aluminum, NTEP Certified 1:5,000 Class III Single Cell, Potted and Unpotted, IP65/IP67



APPROVALS



Interchangeable Products

VPG® TEDEA-HUNTLEIGH
1010/1015.....page 347

Specifications

- Full Scale Output:**
2.0 mV/V
- Output Resistance:**
350 (± 3) ohms, nominal
- Input Resistance:**
415 (± 15) ohms
- Material/Finish:**
Anodized aluminum
- Temperature:**
Compensated range
14°F to 104°F (-10°C to 40°C)
Operating range
0° F to 150° F (-18° C to 65° C)

- Seal Type:**
Potted, IP67
Unpotted, IP65
- Safe Overload:**
150% at center of loading point, full scale
- Rated Excitation:**
5-10 VDC (15 V maximum)
- Combined Error:**
0.02% full scale
- Insulation Resistance:**
5,000 megohms
- Deflection at Capacity:**
3-90 kg=0.015 in

- Cable Length:**
Potted 10ft
Unpotted 3 ft
- Cable Diameter:**
0.200 in PVC jacket
- Cable Color Code:**
Green +Excitation
Black -Excitation
Red +Signal
White -Signal
Blue +Sense
Brown -Sense

- Max Platform Size:**
15.75 in × 15.75 in
- Warranty:**
Two-year limited warranty
- Approvals:**
cFMus
NTEP

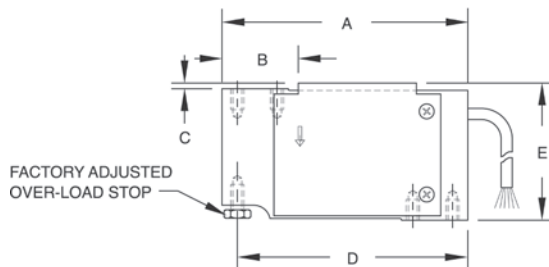
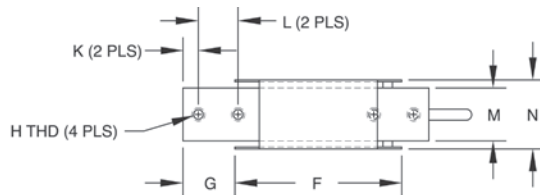
Dimensions

Picture is a representation of actual product

Rated Capacity	A	B	C	D	E	F	G	H	K	L	M	N
kg/mm												
3-90	118.1	34.0	3.0	110.5	66.0	80.0	25.0	1/4-20 UNC × 13 DP	7.5	19.1	25.4	33.5

Order Information

Load Rating	Part #	Est. Weight	Price
NTEP Certified, Potted			
10 kg	50819	2 lb	\$205.00
15 kg	50820	2 lb	\$205.00
20 kg	50821	2 lb	\$205.00
30 kg	50822	2 lb	\$205.00
50 kg	50823	2 lb	\$205.00
Non-NTEP Certified, Potted			
7 kg	17529	2 lb	\$205.00
10 kg	17530	2 lb	\$205.00
15 kg	17531	2 lb	\$195.00
20 kg	17532	2 lb	\$205.00
30 kg	17533	2 lb	\$205.00
50 kg	17534	2 lb	\$205.00
90 kg	17535	2 lb	\$205.00
Non-NTEP Certified, Unpotted			
3 kg	17527	1 lb	\$190.00
5 kg	17528	1 lb	\$190.00



Interchangeable Products

HBM®
SP4M..... page 264

**DISCONTINUED
LIMITED STOCK
AVAILABLE**

Specifications

- Full Scale Output:**
2.0 mV/V
- Output Resistance:**
350 (± 3) ohm
- Input Resistance:**
350 ohm
- Material/Finish:**
Anodized aluminum
- Temperature:**
Compensated range
14°F to 104°F (-10°C to 40°C)
Operating range
0° F to 150° F (-18° C to 65° C)
- Seal Type:**
Environmentally sealed, IP66
- Safe Overload:**
150% full scale
- Rated Excitation:**
5-10 VDC (15 V maximum)
- Combined Error:**
0.02% full scale
- Insulation Resistance:**
5,000 megohms
- Deflection at Capacity:**
0.4 mm
- Cable Length:**
10 ft
- Cable Diameter:**
0.19 in PVC jacket

Cable Color Code:

- Green +Excitation
- Black -Excitation
- Red +Signal
- White -Signal
- Blue +Sense
- Brown -Sense
- Yellow Shield

Max Platform Size:

- 5-10 kg=12 in × 12 in
- 15-30 kg=18 in × 18 in
- 50-100 kg=24 in × 24 in

Warranty:

Two-year limited warranty

Approvals:

- FM
- NTEP

APPROVALS



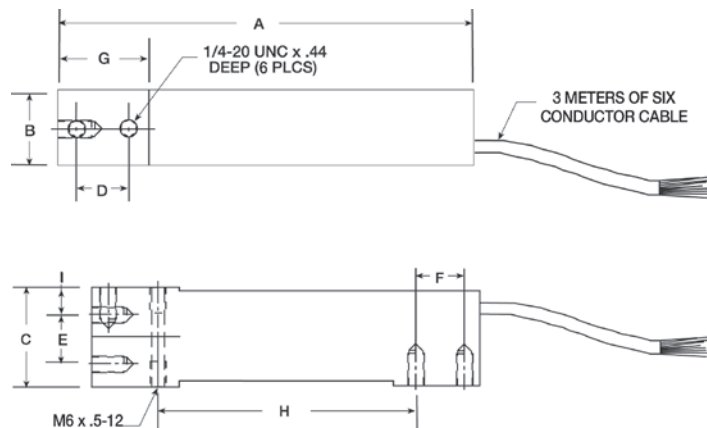
Dimensions

Picture is a representation of actual product

Rated Capacity	A	B	C	D	E	F	G	H	I
kg/mm									
5-100	150.3	25.4	39.9	19.1	19.1	19.1	33.8	99.6	11.4

Order Information

Load Rating	Part #	Est. Weight	Price
NTEP Certified			
7 kg	91725	2 lb	\$222.00
10 kg	91726	2 lb	\$222.00
15 kg	91727	2 lb	\$222.00
20 kg	91728	2 lb	\$222.00
30 kg	91729	2 lb	\$222.00
50 kg	91730	2 lb	\$222.00
75 kg	91731	2 lb	\$222.00
100 kg	91732	2 lb	\$222.00
Non-NTEP Certified			
5 kg	91724	2 lb	\$222.00



SINGLE POINT

RLPWM12

Aluminum, Environmentally Sealed, NTEP Certified 1:5,000 Class III Single Cell, IP67

RICE LAKE WEIGHING SYSTEMS

**DISCONTINUED
LIMITED STOCK
AVAILABLE**



APPROVALS



Interchangeable Products

RICE LAKE WEIGHING SYSTEMS
RL1250..... page 204
 VPG® TEDEA-HUNTLEIGH
1250 page 358

Specifications

Full Scale Output:
2.0 mV/V

Output Resistance:
330-450 ohm, nominal

Input Resistance:
300-500 ohm

Material/Finish:
Aluminum

Temperature:
Compensated range
14°F to 104°F (-10°C to 40°C)
Operating range
0° F to 150° F (-18° C to 65° C)

Seal Type:
Environmentally sealed, IP67

Safe Overload:
150% full scale

Rated Excitation:
5-10 VDC (15 V maximum)

Combined Error:
0.02% full scale

Insulation Resistance:
1,000 megohms

Cable Length:
10 ft

Cable Diameter:
0.190 in PVC jacket

Cable Color Code:
Green +Excitation
Black -Excitation
Red +Signal
White -Signal
Blue +Sense
Brown -Sense

Warranty:
Two-year limited warranty

Max Platform Size:
30 in × 30 in

Approvals:
FM
NTEP

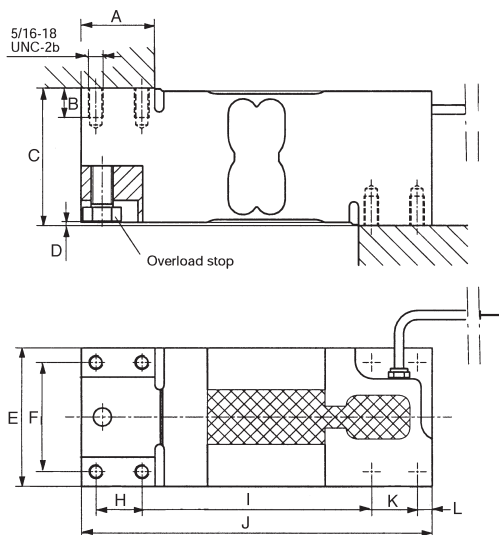
Dimensions

Picture is a representation of actual product

Rated Capacity	A	B	C	D	E	F	H	I	J	K	L
kg/mm											
50-1,000	40.0	16.0	75.0	1.5	76.0	60.0	25.0	125.0	191.0	25.0	8.0

Order Information

Load Rating	Part #	Est. Weight	Price
50 kg	91674	6 lb	\$334.00
75 kg	91675	6 lb	\$334.00
100 kg	w	6 lb	\$315.00
150 kg	91677	6 lb	\$334.00
200 kg	91678	6 lb	\$315.00
300 kg	91680	6 lb	\$334.00
500 kg	91681	6 lb	\$334.00
1,000 kg	91683	6 lb	\$334.00



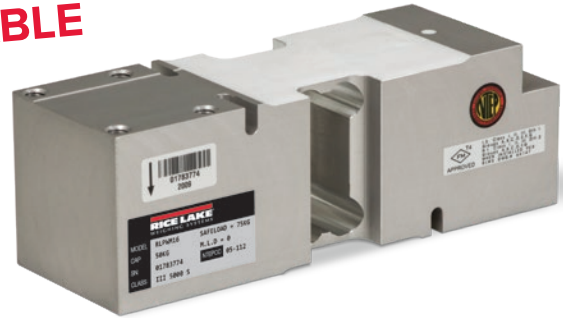
www.ricelake.com | Phone: 800-472-6703

RICE LAKE

Interchangeable Products

- RICE LAKE WEIGHING SYSTEMS
RL1260 page 201
- VPG® TEDEA-HUNTLEIGH
1260 page 355

**DISCONTINUED
LIMITED STOCK
AVAILABLE**



APPROVALS



Specifications

- Full Scale Output:**
2.0 mV/V
- Output Resistance:**
300-500 ohm
- Input Resistance:**
300-500 ohm
- Material/Finish:**
Aluminum
- Temperature:**
Compensated range
14°F to 104°F (-10°C to 40°C)
Operating range
0° F to 150° F (-18° C to 65° C)

Seal Type:
Environmentally sealed, IP67

Safe Overload:
150% full scale

Rated Excitation:
5-10 VDC (15 V maximum)

Combined Error:
0.02% full scale

Insulation Resistance:
1,000 megohms

Cable Length:
10 ft

Cable Diameter:
0.190 in PVC jacket

Max Platform Size:
24 in × 24 in

Deflection at Capacity:
50-635 kg <0.6 mm

Cable Color Code:
Green +Excitation
Black -Excitation
Red +Signal
White -Signal
Blue +Sense
Brown -Sense

Warranty:
Two-year limited warranty

Approvals:
FM
NTEP

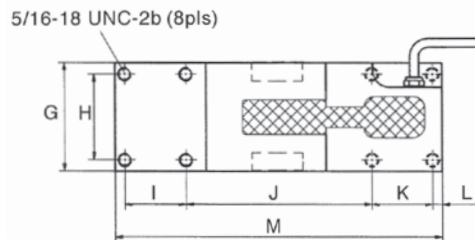
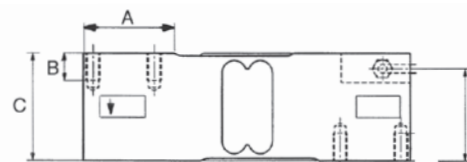
Dimensions

Picture is a representation of actual product

Rated Capacity	A	B	C	F	G	H	I	J	K	L	M
kg/mm											
50-635	52.0	16.0	62.3	52.3	63.0	50.0	35.0	107.0	35.0	5.5	188.0

Order Information

Load Rating	Part #	Est. Weight	Price
50 kg	91684	5 lb	\$295.00
75 kg	91686	5 lb	\$313.00
100 kg	91687	5 lb	\$295.00
150 kg	91688	5 lb	\$313.00
200 kg	91689	5 lb	\$313.00
250 kg	91690	5 lb	\$295.00
300 kg	91691	5 lb	\$295.00
500 kg	91692	5 lb	\$295.00
635 kg	91693	5 lb	\$295.00



SINGLE POINT
RL1042

Aluminum, Environmentally Sealed, NTEP Certified 1:5,000 Class III Single Cell, IP66



**DISCONTINUED
LIMITED STOCK
AVAILABLE**

APPROVALS



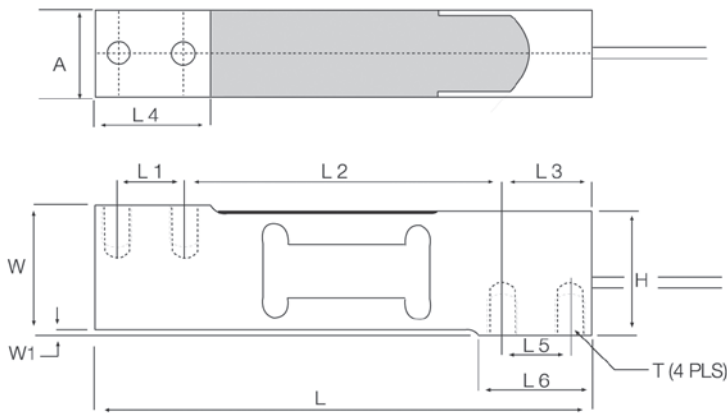
Picture is a representation of actual product

Dimensions

Rated Capacity	A	H	L	L1	L2	L3	L4	L5	L6	W	W1	T
kg/mm												
1-30	20.0	39.0	150.0	19.0	100.0	25.0	34.0	19.0	34.0	40.0	1.0	1/4-20 UNC
50-100	25.4	39.0	150.0	19.0	100.0	25.0	34.0	19.0	34.0	40.0	1.0	1/4-20 UNC

Order Information

Load Rating	Part #	Est. Weight	Price
1 kg	40955	1 lb	\$190.00
3 kg	40956	1 lb	\$180.00
5 kg	40957	1 lb	\$180.00
10 kg	40958	1 lb	\$180.00
15 kg	40959	1 lb	\$180.00
20 kg	40960	1 lb	\$180.00
30 kg	40961	1 lb	\$180.00
50 kg	40962	2 lb	\$180.00
75 kg	40963	2 lb	\$180.00
100 kg	40964	2 lb	\$180.00



Interchangeable Products

RICE LAKE WEIGHING SYSTEMS	
RLSP4	page 193
VPG® TEDEA-HUNTLEIGH	
1042	page 349
HBM®	
SP4M	page 264
FLINTEC	
PC 42	—

Specifications

- Full Scale Output:** 2.0 mV/V
- Output Resistance:** 350 (± 3) ohm
- Input Resistance:** 415 (± 15) ohm
- Material/Finish:** Aluminum
- Temperature:** Compensated range 14°F to 104°F (-10°C to 40°C)
Operating range 0° F to 150° F (-18° C to 65° C)
- Seal Type:** Environmentally sealed, IP66
- Safe Overload:** 150% full scale
Over-center loading point
- Rated Excitation:** 5-10 VDC (15 V maximum)
- Combined Error:** 0.02% full scale
- Deflection at Capacity:** 1-100 kg=0.015 in
- Insulation Resistance:** 2,000 megohms
- Cable Length:** 10 ft
- Cable Diameter:** 0.200 in PVC jacket
- Cable Color Code:** Green +Excitation
Black -Excitation
Red +Signal
White -Signal
Blue +Sense
Brown -Sense
- Platform Size:** 16 in × 16 in
- Warranty:** Two-year limited warranty
- Approvals:** FM
NTEP

Aluminum, NTEP Certified 1:5,000 Class III Single Cell, Potted and Unpotted, IP65/IP67

Interchangeable Products

VPG® TEDEA-HUNTLEIGH
1040 page 350
CARDINAL
TSP —

Specifications

Full Scale Output:
2.0 mV/V

Output Resistance:
350 (± 3) ohm

Input Resistance:
415 (± 5) ohm

Material/Finish:
Anodized aluminum

Temperature:
Compensated range
14°F to 104°F (-10°C to 40°C)
Operating range
0° F to 150° F (-18° C to 65° C)

Seal Type:
Potted, IP67
Unpotted, IP65

Safe Overload:
200% at center loading point, full scale

Rated Excitation:
5-10 VDC (15 V maximum)

Combined Error:
0.02% full scale

Insulation Resistance:
2,000 megohms

Deflection at Capacity:
0.4 mm

Cable Length:
10 ft

Cable Diameter:
0.200 in PVC jacket

Cable Color Code:
Green +Excitation
Black -Excitation
Red +Signal
White -Signal
Blue +Sense
Brown -Sense

Max Platform Size:
15.75 in × 15.75 in

Warranty:
Two-year limited warranty

Approvals:
cFMus
NTEP

APPROVALS



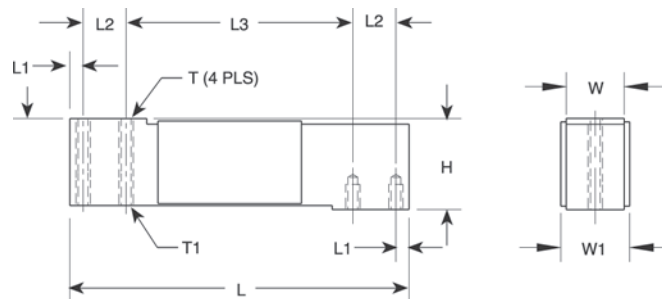
Dimensions

Picture is a representation of actual product

Rated Capacity	H	L	L1	L2	L3	T	T1	W	W1
kg/mm									
5-100	40.0	150.0	5.95	19.1	100.0	1/4-20 UNC × 10 DP	1/4-28 UNF × 10 DP	25.4	29.4

Order Information

Load Rating	Part #	Est. Weight	Price
Potted IP67			
7 kg	32860	2 lb	\$206.00
10 kg	32861	2 lb	\$206.00
15 kg	32862	2 lb	\$206.00
20 kg	32863	2 lb	\$206.00
30 kg	32864	2 lb	\$206.00
50 kg	32865	2 lb	\$206.00
100 kg	32866	2 lb	\$206.00
Unpotted IP65			
5 kg	32859	2 lb	\$206.00



SINGLE POINT
RL1140

Stainless Steel, Environmentally Sealed, Potted IP67



APPROVALS



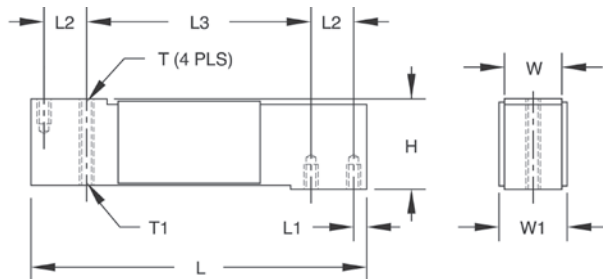
Dimensions

Picture is a representation of actual product

Rated Capacity	H	L	L1	L2	L3	T	T1	W	W1
kg/mm									
15-150	40.0	150.0	6.0	19.1	100.0	1/4-20 UNC x 10 DP	1/4-28 UNF x 10 DP	25.4	29.4

Order Information

Load Rating	Part #	Est. Weight	Price
15 kg	17544	3 lb	\$339.00
30 kg	17545	3 lb	\$339.00
50 kg	17546	3 lb	\$339.00
75 kg	17547	3 lb	\$339.00
100 kg	17548	3 lb	\$339.00
150 kg	36467	3 lb	\$339.00



Interchangeable Products

VPG® TEDEA-HUNTLEIGH
1140 page 352

Specifications

- Full Scale Output:**
2.0 mV/V
- Output Resistance:**
350 (± 3) ohm, nominal
- Input Resistance:**
415 (± 15) ohm
- Material/Finish:**
Stainless steel
- Temperature:**
Operating range
0° F to 150° F (-18° C to 65° C)
- Seal Type:**
Environmentally sealed, IP67
- Safe Overload:**
200% at center loading point, full scale
- Rated Excitation:**
5-10 VDC (15 V maximum)
- Combined Error:**
0.02% full scale
- Insulation Resistance:**
2,000 megohms
- Deflection at Capacity:**
0.4 mm
- Cable Length:**
10 ft
- Cable Diameter:**
0.200 in PVC jacket
- Cable Color Code:**
Green +Excitation
Black -Excitation
Red +Signal
White -Signal
Blue +Sense
Brown -Sense
- Max Platform Size:**
15.75 in x 15.75 in
- Warranty:**
Two-year limited warranty
- Approvals:**
cFMus

Interchangeable Products

HBM®
PWS.....page 267

Specifications

- Full Scale Output:**
2.0mV/V
- Output Resistance:**
359 (± 10) ohm
- Input Resistance:**
390 (± 15) ohm
- Material/Finish:**
Stainless steel
- Temperature:**
Compensated range
14°F to 104°F (-10°C to 40°C)
Operating range
0° F to 150° F (-18° C to 65° C)
- Seal Type:**
Environmentally sealed, IP67
- Safe Overload:**
150% full scale
- Rated Excitation:**
5-10 VDC (15 V maximum)
- Combined Error:**
0.03% full scale
- Insulation Resistance:**
5,000 megohms
- Cable Length:**
10 ft
- Cable Diameter:**
0.190 in polyurethane jacket
- Deflection:**
<0.4mm full scale
- Max Platform Size:**
15.75in × 15.75in
- Cable Color Code:**
Green +Excitation
Black -Excitation
White +Signal
Red -Signal
Yellow Shield

Warranty:
Two-year limited warranty

Approvals:
FM
NTEP

APPROVALS



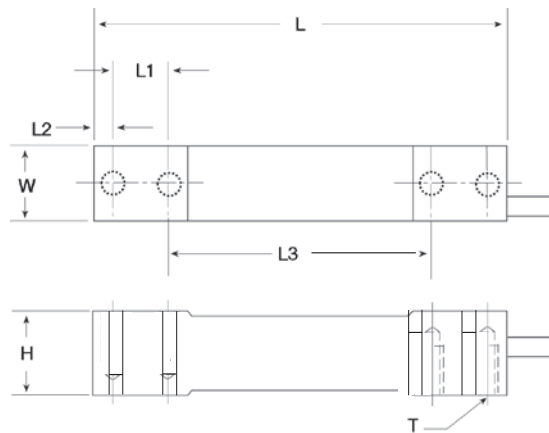
Dimensions

Picture is a representation of actual product

Rated Capacity	W	L	L1	L2	L3	T	H
kg/mm							
7-15	19.1	139.7	19.1	6.4	88.9	1/4-20 UNC	30.2
30-60	23.9	139.7	19.1	6.4	88.9	1/4-20 UNC	30.2

Order Information

Load Rating	Part #	Est. Weight	Price
7 kg	30783	2 lb	\$344.50
10 kg	30782	2 lb	\$344.50
15 kg	30781	2 lb	\$344.50
30 kg	30780	2 lb	\$344.50
60 kg	30779	2 lb	\$344.50



SINGLE POINT RL1385

Stainless Steel, Environmentally Sealed, NTEP Certified 1:4,500 Class III Single Cell, IP67



APPROVALS



Interchangeable Products

FLINTEC

PC1..... page 252

Specifications

Full Scale Output:

2.0 mV/V

Output Resistance:

330 (± 25) ohm

Input Resistance:

390 (± 20) ohm

Material/Finish:

Stainless steel

Temperature:

Operating range
0° F to 150° F (-18° C to 65° C)

Seal Type:

Environmentally sealed, IP67

Safe Overload:

200% full scale

Rated Excitation:

5 VDC (15 V maximum)

Combined Error:

0.02% full scale

Insulation Resistance:

5,000 megohms

Cable Length:

10 ft

Cable Diameter:

0.196 in polyurethane jacket

Max Platform Size:

18 in × 18 in

Cable Color Code:

Green +Excitation
Black -Excitation
White +Signal
Red -Signal
Yellow Shield

Warranty:

Two-year limited warranty

Approvals:

FM
NTEP

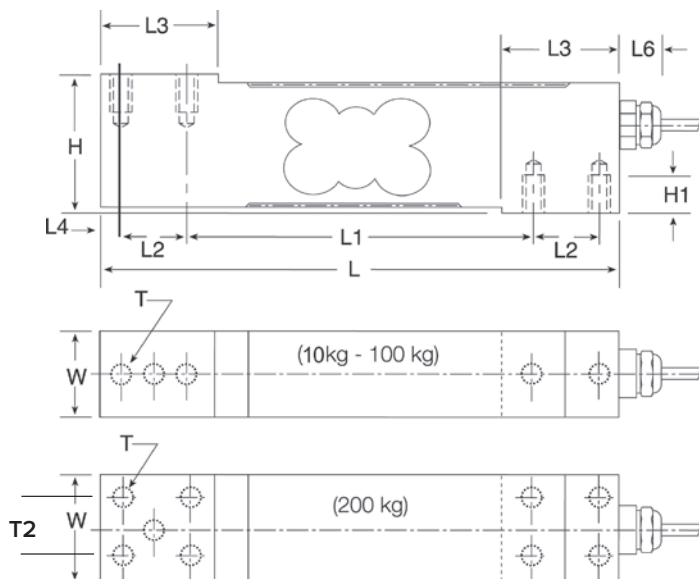
Dimensions

Picture is a representation of actual product

Rated Capacity	H	H1	L	L1	L2	L3	L4	L6	W	T	T2
kg/mm											
10-100	40.0	10.0	150.0	100.0	19.0	32.0	6.0	20.0	25.4	1/4-20 UNC × 19.1DP	N/A
200	40.0	10.0	150.0	100.0	19.0	32.0	6.0	20.0	38.1	1/4-20 UNC × 19.1DP	25.4

Order Information

Load Rating	Part #	Est. Weight	Price
NTEP Certified			
10 kg	41405	3 lb	\$328.00
15 kg	41233	3 lb	\$328.00
30 kg	41234	3 lb	\$328.00
50 kg	41235	3 lb	\$328.00
75 kg	41236	3 lb	\$328.00
Non-NTEP Certified			
100 kg	41237	3 lb	\$310.00
200 kg	41406	4 lb	\$477.00

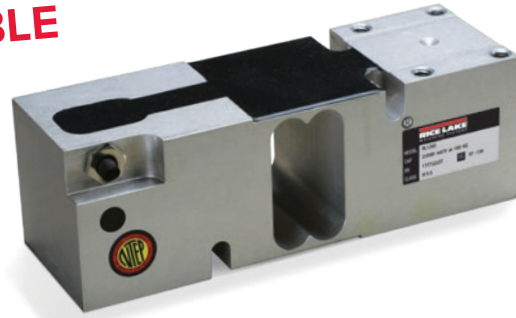


Aluminum, Environmentally Sealed, NTEP Certified 1:5,000 Class III Single Cell, IP67

Interchangeable Products

- RICE LAKE WEIGHING SYSTEMS
- RLPWM16**..... page 195
- VPG® TEDEA-HUNTLEIGH
- 1260**..... page 355

**DISCONTINUED
LIMITED STOCK
AVAILABLE**



Specifications

- Full Scale Output:**
2.0 mV/V
- Output Resistance:**
350 (± 3) ohm
- Input Resistance:**
415 (± 15) ohm
- Material/Finish:**
Anodized aluminum
- Temperature:**
Compensated range
14°F to 104°F (-10°C to 40°C)
Operating range
0° F to 150° F (-18° C to 65° C)

- Seal Type:**
Environmentally sealed, IP67
- Safe Overload:**
150% of full scale at center loading point
- Rated Excitation:**
5-10 VDC (15 V maximum)
- Combined Error:**
0.02% full scale
- Insulation Resistance:**
5,000 megohms
- Cable Length:**
10 ft
- Cable Diameter:**
0.220 in polyurethane jacket
- Max Platform Size:**
24 in × 24 in
- Cable Color Code:**
Green +Excitation
Black -Excitation
Red +Signal
White -Signal
Blue +Sense
Brown -Sense

- Warranty:**
Two-year limited warranty
- Approvals:**
cFMus
NTEP

APPROVALS



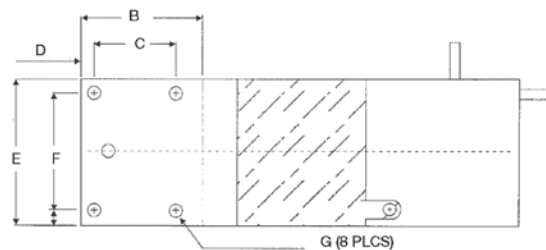
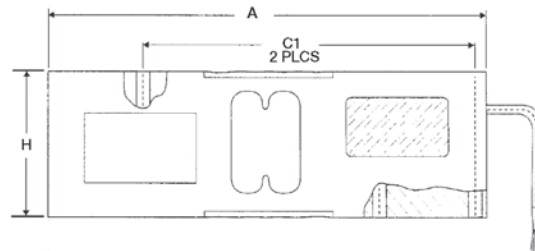
Dimensions

Picture is a representation of actual product

Rated Capacity	A	B	C	C1	D	E	F	G	H
kg/mm									
50-635	188.0	52.0	35.0	142.0	5.5	63.5	50.0	5/16-18 UNC	62.3

Order Information

Load Rating	Part #	Est. Weight	Price
50 kg	41020	5 lb	\$310.00
75 kg	41021	5 lb	\$310.00
100 kg	41022	5 lb	\$310.00
150 kg	158469	5 lb	\$310.00
200 kg	41023	5 lb	\$310.00
250 kg	41024	5 lb	\$310.00
300 kg	41025	5 lb	\$310.00
500 kg	41026	5 lb	\$328.00
635 kg	41027	5 lb	\$310.00



SINGLE POINT

RL260FD

Fluid Damped, Stainless Steel, Environmentally Sealed, NTEP Certified Single Cell 1:3,000, IP68



APPROVALS



Interchangeable Products

VPG® TEDEA-HUNTLEIGH

240* page 361

*5000d NTEP, 10ft cable

Specifications

Full Scale Output:
2.0 mV/V

Output Resistance:
350 (± 3) ohm

Input Resistance:
400 (± 20) ohm

Material/Finish:
Stainless Steel

Temperature:
Compensated range
14°F to 104°F (-10°C to 40°C)
Operating range
0° F to 150° F (-18° C to 65° C)

Seal Type:
Environmentally sealed, IP68

Safe Overload:
200% of full scale

Rated Excitation:
5-10 VDC

Combined Error:
0.017% full scale

Insulation Resistance:
5,000> megohms

Cable Length:
5 m

Cable Color Code:

- Green +Excitation
- Black -Excitation
- Red +Signal
- White -Signal
- Blue +Sense
- Yellow -Sense

Warranty:
Two-year limited warranty

Approvals:
NTEP
cFMus

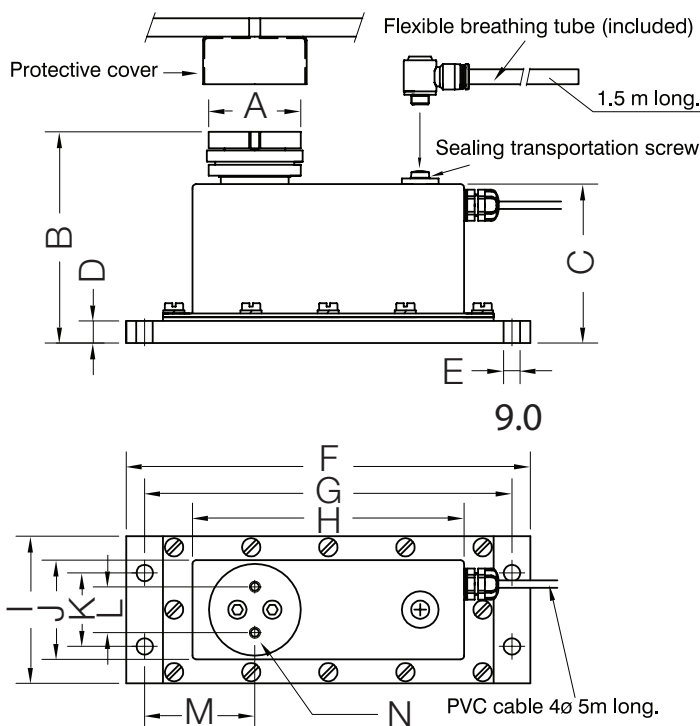
Dimensions

Picture is a representation of actual product

Rated Capacity	A	B	C	D	E	F	G	H	I	J	K	L	M	N
kg/mm														
2-50	50 dia	115.0	86.5	12.0	9.0	220.0	200.0	148.0	80.0	54.0	40.0	25.0	60.0	1/4-20 UNC

Order Information

Load Rating	Part #	Est. Weight	Price
2 kg	194928	8 lb	\$710.00
3 kg	199001	8 lb	\$710.00
5 kg	194929	8 lb	\$710.00
7 kg	194930	8 lb	\$710.00
10 kg	194932	8 lb	\$710.00
15 kg	194933	8 lb	\$710.00
20 kg	194934	8 lb	\$710.00
30 kg	194935	8 lb	\$710.00
50 kg	194936	16 lb	\$710.00



Aluminum, Environmentally Sealed, NTEP Certified 1:5,000 Class III Single Cell, IP67

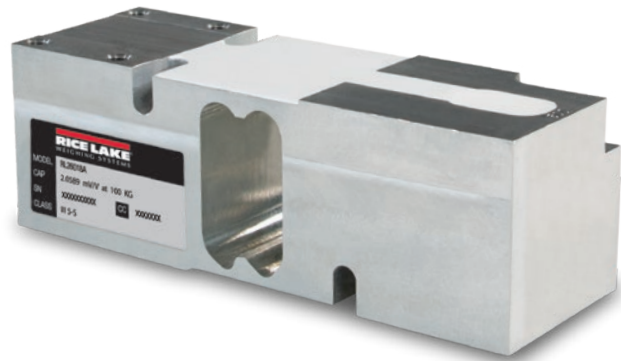
Interchangeable Products

- RICE LAKE WEIGHING SYSTEMS
RL1260 page 201
- RICE LAKE WEIGHING SYSTEMS
RLPWM16 page 195
- VPG® TEDEA-HUNTLEIGH®
1260 page 355

Specifications

- Full Scale Output:**
2.0 mV/V nominal
- Output Resistance:**
350 (± 3) ohm
- Input Resistance:**
415 (± 15) ohm
- Material/Finish:**
Anodized aluminum
- Temperature:**
Compensated range
14°F to 104°F (-10°C to 40°C)
Operating range
0° F to 150° F (-18° C to 65° C)
- Seal Type:**
Environmentally sealed, IP67
- Safe Overload:**
150% of full scale
- Rated Excitation:**
5-10 VDC (15 VDC Max)
- Insulation Resistance:**
>5,000 megohms
- Combined Error:**
0.02% full scale
- Deflection:**
0.3-0.5 mm
- Cable Length:**
10 ft
- Cable Color Code:**
Green +Excitation
Black -Excitation
Red +Signal
White -Signal
- Warranty:**
Two-year limited warranty
- Approvals:**
cFMus
NTEP

APPROVALS



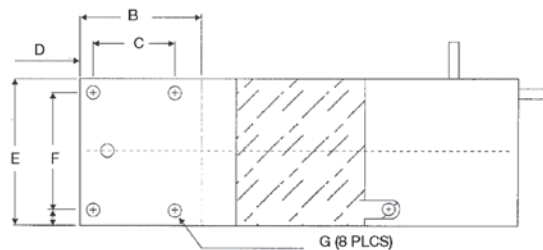
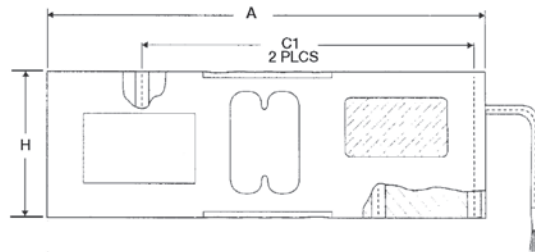
Dimensions

Picture is a representation of actual product

Rated Capacity	A	B	C	C1	D	E	F	G	H
kg/mm									
50-635	188.0	52.0	35.0	142.0	5.5	63.5	50.0	5/16-18 UNC	62.3

Order Information

Load Rating	Part #	Est. Weight	Price
50 kg	188682	5 lb	\$290.00
75 kg	188683	5 lb	\$290.00
100 kg	188684	5 lb	\$290.00
150 kg	188685	5 lb	\$290.00
200 kg	188686	5 lb	\$290.00
250 kg	188687	5 lb	\$290.00
300 kg	188688	5 lb	\$290.00
500 kg	188689	5 lb	\$290.00
635 kg	188690	5 lb	\$290.00



SINGLE POINT
RL1250

Aluminum, Environmentally Sealed, NTEP Certified 1:5,000 Class III Single Cell, Potted, IP67

**DISCONTINUED
LIMITED STOCK
AVAILABLE**



APPROVALS



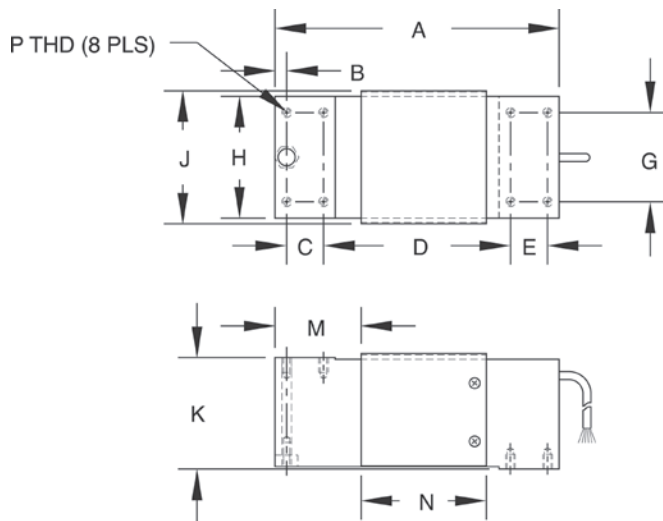
Dimensions

Picture is a representation of actual product

Rated Capacity	A	B	C	D	E	G	H	J	K	M	N	P
kg/mm												
50-1,000	191.0	8.0	25.0	125.0	25.0	60.0	75.0	82.0	75.0	57.5	85.0	5/16-18 UNC x 15 DP

Order Information

Load Rating	Part #	Est. Weight	Price
50 kg	32849	7 lb	\$315.00
75 kg	32856	7 lb	\$315.00
100 kg	32855	7 lb	\$315.00
200 kg	32853	7 lb	\$315.00
250 kg	32852	7 lb	\$315.00
300 kg	32851	7 lb	\$315.00
500 kg	32850	7 lb	\$315.00
635 kg	32857	7 lb	\$315.00
1,000 kg	32858	7 lb	\$334.00



Interchangeable Products

- RICE LAKE WEIGHING SYSTEMS
RLPWM12..... page 194
- VPG® TEDEA-HUNTLEIGH
1250 page 358
- FLINTEC
PCB* page 251

*Stainless steel, hermetically sealed

Specifications

- Full Scale Output:**
2.0 mV/V
- Output Resistance:**
350 (± 3) ohm
- Input Resistance:**
415 (± 15) ohm
- Material/Finish:**
Anodized aluminum
- Temperature:**
Compensated range
14°F to 104°F (-10°C to 40°C)
Operating range
0° F to 150° F (-18° C to 65° C)
- Seal Type:**
Environmentally sealed, IP67
- Safe Overload:**
150% of full scale at center loading point
- Rated Excitation:**
5-10 VAC/DC (15 V maximum)
- Combined Error:**
0.02% full scale
- Insulation Resistance:**
5,000 megohms
- Deflection at Capacity:**
0.4 mm
- Cable Length:**
10 ft
- Cable Diameter:**
0.220 in polyurethane jacket
- Cable Color Code:**
Green +Excitation
Black -Excitation
Red +Signal
White -Signal
Blue +Sense
Brown -Sense
- Max Platform Size:**
50-500 kg=800 mm x 800 mm
635-1,000 kg=600 mm x 600 mm
- Warranty:**
Two-year limited warranty
- Approvals:**
cFMus
NTEP

Aluminum, Environmentally Sealed, NTEP Certified 1:5,000 Class III Single Cell, IP67

Interchangeable Products

- RICE LAKE WEIGHING SYSTEMS
RL1250..... page 204
- RICE LAKE WEIGHING SYSTEMS
RLPWM12..... page 194
- VPG® TEDEA-HUNTLEIGH®
1250 page 358

Specifications

- Full Scale Output:**
2.0 mV/V nominal
- Output Resistance:**
350 (± 3) ohm
- Input Resistance:**
415 (± 15) ohm
- Material/Finish:**
Anodized aluminum
- Temperature:**
Compensated range
14°F to 104°F (-10°C to 40°C)
Operating range
0° F to 150° F (-18° C to 65° C)
- Seal Type:**
Environmentally sealed, IP67
- Safe Overload:**
150% full scale
- Rated Excitation:**
5-10 VDC (15 VDC Max)
- Insulation Resistance:**
>5,000 megohms
- Combined Error:**
0.02% full scale
- Deflection:**
0.4 mm
- Max Platform Size:**
50-500 kg=800 mm × 800 mm
635-1,000 kg=600 mm × 600 mm
- Cable Length:**
10 ft
- Cable Color Code:**
Green +Excitation
Black -Excitation
Red +Signal
White -Signal
Blue +Sense
Yellow -Sense
- Warranty:**
Two-year limited warranty
- Approvals:**
cFMus
NTEP

APPROVALS



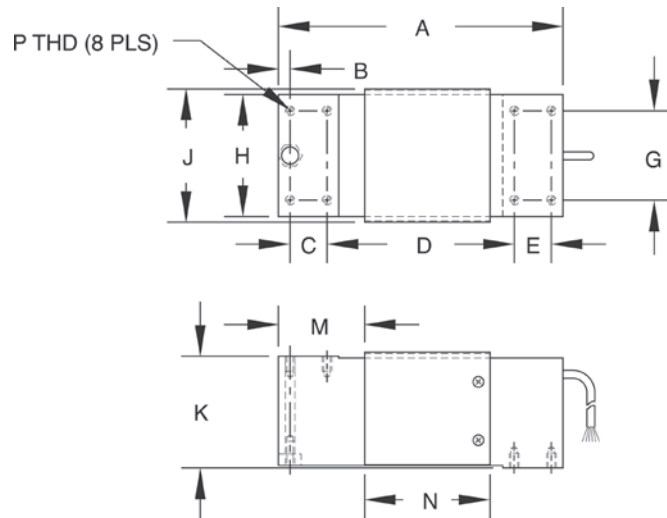
Dimensions

Picture is a representation of actual product

Rated Capacity	A	B	C	D	E	G	H	J	K	M	N	P
kg/mm												
50-1,000	191.0	8.0	25.0	125.0	25.0	60.0	75.0	82.0	75.0	57.5	85.0	5/16-18 UNC × 15 DP

Order Information

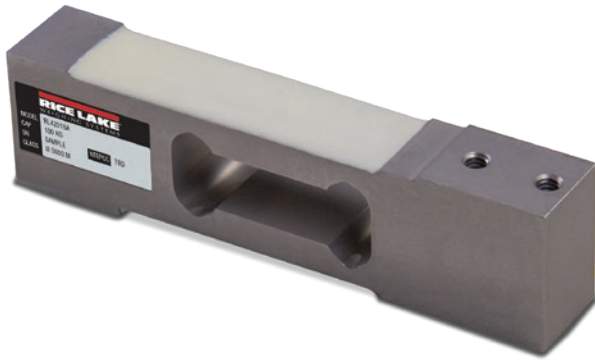
Load Rating	Part #	Est. Weight	Price
50 kg	191096	5 lb	\$328.00
75 kg	191097	5 lb	\$328.00
100 kg	191098	5 lb	\$328.00
150 kg	191099	5 lb	\$328.00
200 kg	191100	5 lb	\$328.00
250 kg	191101	5 lb	\$328.00
300 kg	191102	5 lb	\$328.00
500 kg	191103	5 lb	\$328.00
635 kg	191104	5 lb	\$328.00
1,000 kg	191105	5 lb	\$328.00



SINGLE POINT

RL42018A

Aluminum, Environmentally Sealed, NTEP Certified 1:5,000 Class III Single Cell, IP66



APPROVALS



Interchangeable Products

- RICE LAKE WEIGHING SYSTEMS
RL1042.....page 196
- RICE LAKE WEIGHING SYSTEMS
RLSP4.....page 193
- VPG® TEDEA-HUNTLEIGH®
1042.....page 349
- HBM®
SP4M*.....page 264

*Color code is different

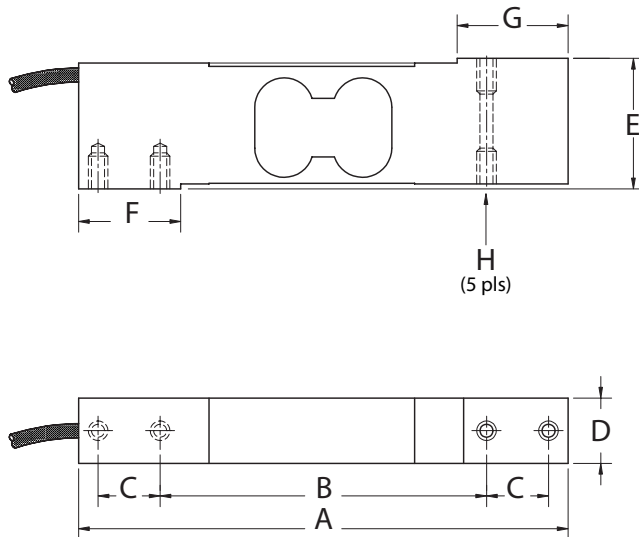
Dimensions

Picture is a representation of actual product

Rated Capacity	A	B	C	D	E	F	G	H
kg/mm								
3-30	150.0	100.0	19.0	20.0	40.0	31.2	34.0	1/4-20 UNC
50-100	150.0	100.0	19.0	25.4	40.0	31.2	34.0	1/4-20 UNC

Order Information

Load Rating	Part #	Est. Weight	Price
3 kg	188672	2 lb	\$190.00
5 kg	188673	2 lb	\$190.00
7 kg	188674	2 lb	\$180.00
10 kg	188675	2 lb	\$190.00
15 kg	188676	2 lb	\$190.00
20 kg	188677	2 lb	\$190.00
30 kg	188678	2 lb	\$190.00
50 kg	188679	2 lb	\$190.00
75 kg	188680	2 lb	\$190.00
100 kg	188681	2 lb	\$190.00



Specifications

- Full Scale Output:**
2.0 mV/V ±10%
- Output Resistance:**
350 (± 3) ohm
- Input Resistance:**
400 (± 20) ohm
- Material/Finish:**
Aluminum
- Temperature:**
Compensated range
14°F to 104°F/-10°C to 40°C
Operating range
0°F to 150°F/-18°C to 65°C
- Seal Type:**
Environmentally sealed, IP66
- Safe Overload:**
150% of full scale at center loading point
- Rated Excitation:**
10 VDC
- Combined Error:**
0.02% full scale
- Insulation Resistance:**
>5,000 megohms
- Deflection:**
0.3-0.5 mm
- Max Platform Size**
400 mm × 400 mm
- Cable Length:**
10 ft
- Cable Color Code:**
Green +Excitation
Black -Excitation
Red +Signal
White -Signal
Blue +Sense
Yellow -Sense
- Platform Size:**
15.75 in × 15.75 in max
- Warranty:**
Two-year limited warranty
- Approvals:**
cFMus
NTEP

Interchangeable Products

AVERY WEIGH-TRONIX®
FLS.....-

**DISCONTINUED
LIMITED STOCK
AVAILABLE**



Specifications

- Full Scale Output:**
1.0 (± 10%) mV/V
- Output Resistance:**
350 (± 3) ohm
- Input Resistance:**
385 (± 10) ohm
- Material/Finish:**
Stainless steel
- Temperature:**
Operating range:
0° F to 150° F (-18° C to 65° C)
- Seal Type:**
Environmentally sealed, IP67
- Safe Overload:**
150% full scale
- Rated Excitation:**
5-15 VDC
- Hysteresis:**
0.02% full scale
- Non-Linearity:**
0.02% full scale
- Insulation Resistance:**
5,000 megohms
- Cable Length:**
10 ft
- Cable Color Code:**
Green +Excitation
Black -Excitation
Red +Signal
White -Signal
- Warranty:**
Two-year limited warranty

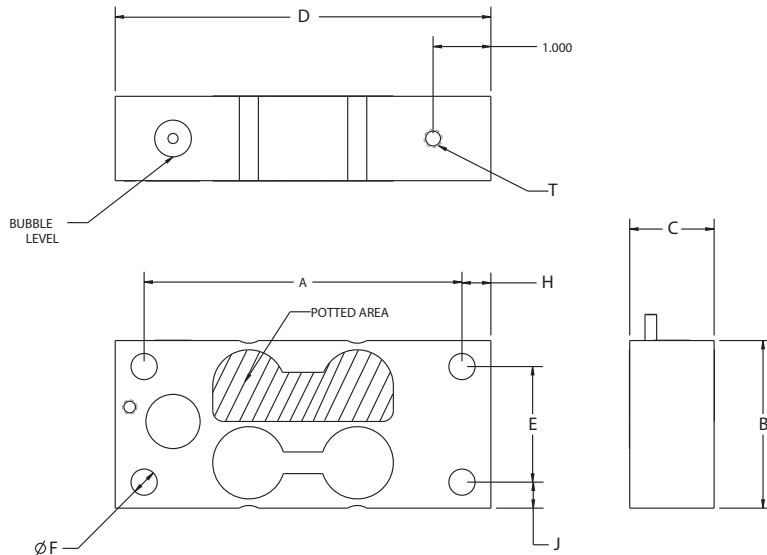
Dimensions

Picture is a representation of actual product

Rated Capacity	A	B	C	D	E	F	H	J	T
lb/in									
50-75	5.50	2.90	0.74	6.50	2.00	0.50	0.50	0.45	5/16-18 UNC x 0.50

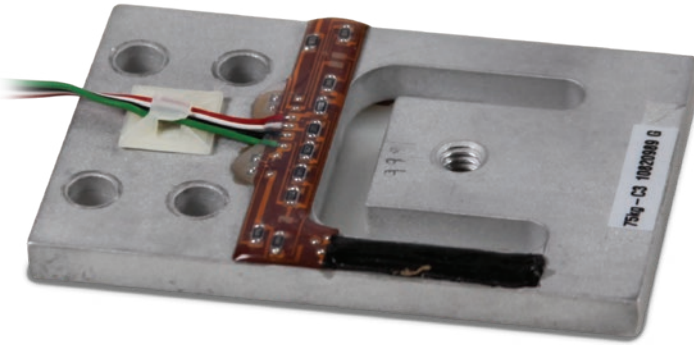
Order Information

Load Rating	Part #	Est. Weight	Price
50 lb	125612	3 lb	\$650.00
75 lb	125613	3 lb	\$650.00



PLANAR BEAM
RLBLP

Aluminum, Environmentally Sealed, IP65



Interchangeable Products

FLINTEC[™]
PB..... page 258

Specifications

- Full Scale Output:**
1.0 mV/V
- Output Resistance:**
1,000 (± 10) ohm
- Input Resistance:**
1,180 (± 50) ohm
- Material/Finish:**
Aluminum
- Temperature:**
Operating range:
0° F to 150° F (-18° C to 65° C)
- Seal Type:**
Environmentally sealed, IP65
- Safe Overload:**
150% full scale
- Rated Excitation:**
5-15 VDC
- Combined Error:**
0.05% full scale
- Insulation Resistance:**
5,000 megohms
- Cable Length:**
15 kg=1.0m
37.5kg, 75kg, 150kg=1.5m
- Cable Color Code:**
Green +Excitation
Black -Excitation
White +Signal
Red -Signal
- Warranty:**
Two-year limited warranty

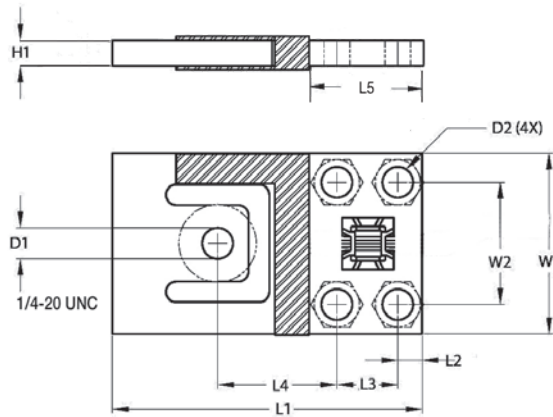
Dimensions

Picture is a representation of actual product

Rated Capacity	L1	L2	L3	L4	L5	W1	W2	H1	D1	D2
kg/mm										
15	70.0	4.9	14.0	28.0	23.7	39.0	27.8	4.1	7.6	5.1
37.5	76.2	6.0	15.0	29.3	27.0	44.5	30.0	4.8	7.6	6.6
75	84.4	6.4	15.0	34.0	27.7	54.8	30.0	6.4	7.6	6.6
150	107.3	7.8	22.9	45.9	38.4	69.9	44.5	7.9	9.1	8.1

Order Information

Load Rating	Part #	Est. Weight	Price
15 kg	100272	1 lb	\$87.00
37.5 kg	104645	1 lb	\$92.00
75 kg	100273	1 lb	\$97.00
150 kg	100274	1 lb	\$102.00



Specifications

Full Scale Output:

3.0 (± 0.1%) mV/V

Bridge Resistance:

350 ohm, nominal

Material/Finish:

Stainless steel

Temperature:

Operating range
0° F to 150° F (-18° C to 65° C)

Seal Type:

Environmentally sealed, IP67

Safe Overload:

150% full scale

Rated Excitation:

5-10 VDC (15 V maximum)

Linearity:

0.05% full scale

Repeatability:

0.03% full scale

Insulation Resistance:

5,000 megohms

Cable Length:

40 ft polyurethane jacket with connection

Cable Diameter:

0.25 in

Cable Color Code:

Green +Excitation
Black -Excitation
White +Signal
Red -Signal

Warranty:

Two-year limited warranty



Dimensions

Picture is a representation of actual product

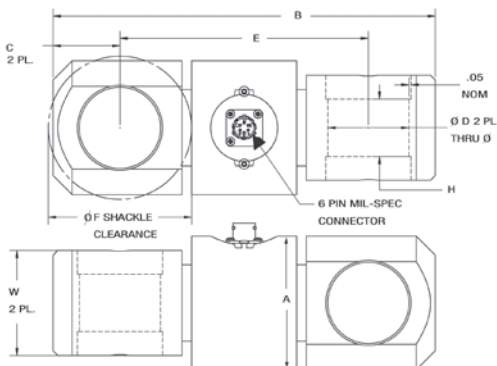
Rated Capacity	A	B	C	ØD	E	ØF	W	H
lb/in								
5,000-10,000	2.00	6.50	1.00	1.05	4.50	2.38	1.37	0.75
25,000	2.75	8.00	1.38	1.55	5.25	2.88	2.00	1.00
50,000-75,000	3.25	14.00	2.50	2.31	9.00	5.00	3.00	1.75
100,000-150,000	4.00	16.00	2.88	2.88	10.25	6.25	4.00	2.00
200,000	6.00	18.00	3.25	3.38	11.50	6.50	4.75	2.38
250,000	6.50	20.00	3.75	3.88	12.50	7.50	5.00	2.75
300,000-500,000	7.50	24.00	4.50	4.31	15.00	9.50	5.40	3.00

Order Information

Load Rating	Part #	Est. Weight	Price
5,000 lb	117731	5 lb	\$1,430.00
10,000 lb	117732	5 lb	\$1,430.00
25,000 lb	117733	8 lb	\$1,690.00
50,000 lb	117735	34 lb	\$2,915.00
75,000 lb	117736	34 lb	\$2,915.00
100,000 lb	117737	56 lb	\$3,127.00
150,000 lb	117738	56 lb	\$3,127.00
200,000 lb	117739	95 lb	\$5,565.00
250,000 lb	117740	117 lb	\$5,989.00
300,000 lb	117741	191 lb	\$8,427.00
500,000 lb	117742	191 lb	\$8,427.00
Replacement Parts			
40 ft load cell cable	187132		\$175.00

Shackles sold in pairs

Load Rating	Part #	Price
5,000 lb-10,000 lb	83450	\$210.00
25,000 lb	83451	\$660.00
50,000 lb	83452	\$975.00
75,000 lb	119279	\$1,680.00
100,000 lb	83453	\$3,075.00
150,000 lb-200,000 lb	83454	\$3,900.00
250,000 lb	83455	\$7,950.00
300,000 lb	83456	\$12,600.00



MSI Load Pin Sensors



Standard Features

- Internally gauged load pin
- Idler sheave or dead end pin preferred location
- Minimum 5:1 safety factor
- 17-4 stainless steel construction
- $\pm 1\%$ to 3% accuracy of hoist capacity
- -40°F to 140°F standard operating temperature (other temperature compensated ranges available)

A key component for MSI's integrated overhead weighing solutions is the Load Pin Sensor. Typically designed and manufactured specifically to each integrated solution, the MSI load pin is strictly industrial grade. Each load pin design is precision machined from 17-4 stainless steel for safety, strength and corrosion resistance.

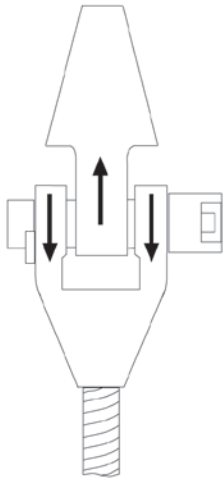
Each strain gauge location is precisely calculated and correctly placed in the optimum concentrated stress area of each installation. This MSI applied engineering process ensures the most efficient and accurate performance for each specific installation.

MSI load pin designs apply only internally mounted strain gauges for complete protection from the outside environment.

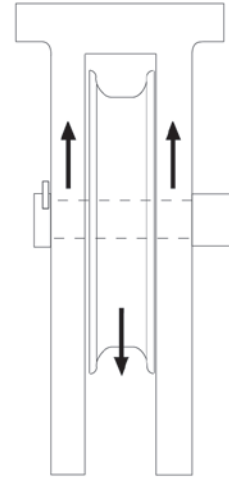
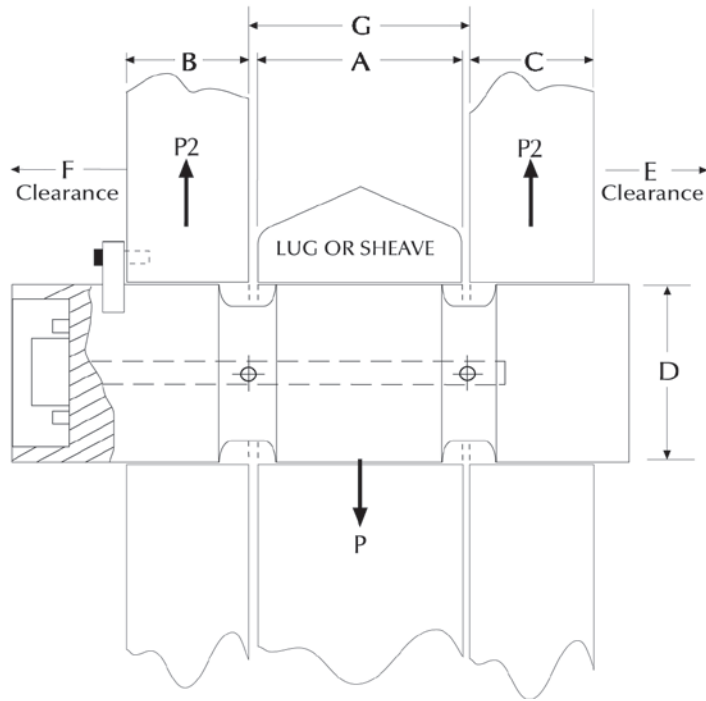
To receive a quotation for a load pin sensor to meet your application requirements, complete the load pin questionnaire also on the next page or online at www.ricelake.com or contact an MSI overhead weighing specialist for further application assistance.

MSI Load Pin Questionnaire

Load Pin Critical Dimensions



Standard Load Sensing Clevis Pin for Wire Rope Sockets Dead-Ends



Sheave/Pulley Load Pins Equalizer/Idler

Load Pin Data	
A=Width _____	Inch
B=Width _____	Inch
C=Width _____	Inch
D=Pin Diameter _____	Inch
E=Clearance _____	Inch
F=Clearance _____	Inch
G=Width _____	Inch
Lube Port <input type="checkbox"/> No <input type="checkbox"/> Yes _____	# of exits
Hoist Capacity _____	Tons
Parts of Wire Rope _____	
Sensor Capacity _____	Tons
Factor of Safety <input type="checkbox"/> 3:1 <input type="checkbox"/> 5:1 <input type="checkbox"/> 7:1 <input type="checkbox"/> 10:1	
Application _____	
Accuracy Requirement _____	
Temperature Requirement _____	
Required Output _____	
Material Testing Requirement _____	
Load Vector Orientation/Alignment <input type="checkbox"/> ← <input type="checkbox"/> → <input type="checkbox"/> ↘ <input type="checkbox"/> ↗	
Name _____	
Company _____	
Phone _____	
Note: Minimum clearance between "A" and "G" = 0.0625 inch.	

Cable Connections	
End-Mounted Cable	
End-Mounted Connector (standard)	
Side-Mounted Cable	
Side-Mounted Connector	
Recessed Connector	
Sensor's Cable Length _____	Feet
Comments _____	



230 W. Coleman St. • Rice Lake, WI 54868 • USA
 TEL: 800-874-4320 • FAX: 206-244-8470 • www.ricelake.com/msi

An ISO 9001 registered company © 2019 Rice Lake Weighing Systems PN 154086 10/19
 Specifications subject to change without notice.

MSI Tension Link Load Cell



Specifications

Input Resistance:

1,500 ohm

Output Resistance:

2,000 ohm

Full Scale Output:

0.8 mV/V

Connector Pin Out:

A: EX+

B: Sig +

C: Sig -

D: EX-

Accuracy:

0.1% sensor accuracy

Material:

4340 steel

Standard Features

- 4340 Steel construction
- Mil Spec connector
- 7:1 Safety factor

Additional Options

(Contact MSI for application consultation)

- Crosby® top and bottom shackles

Part Number/Price

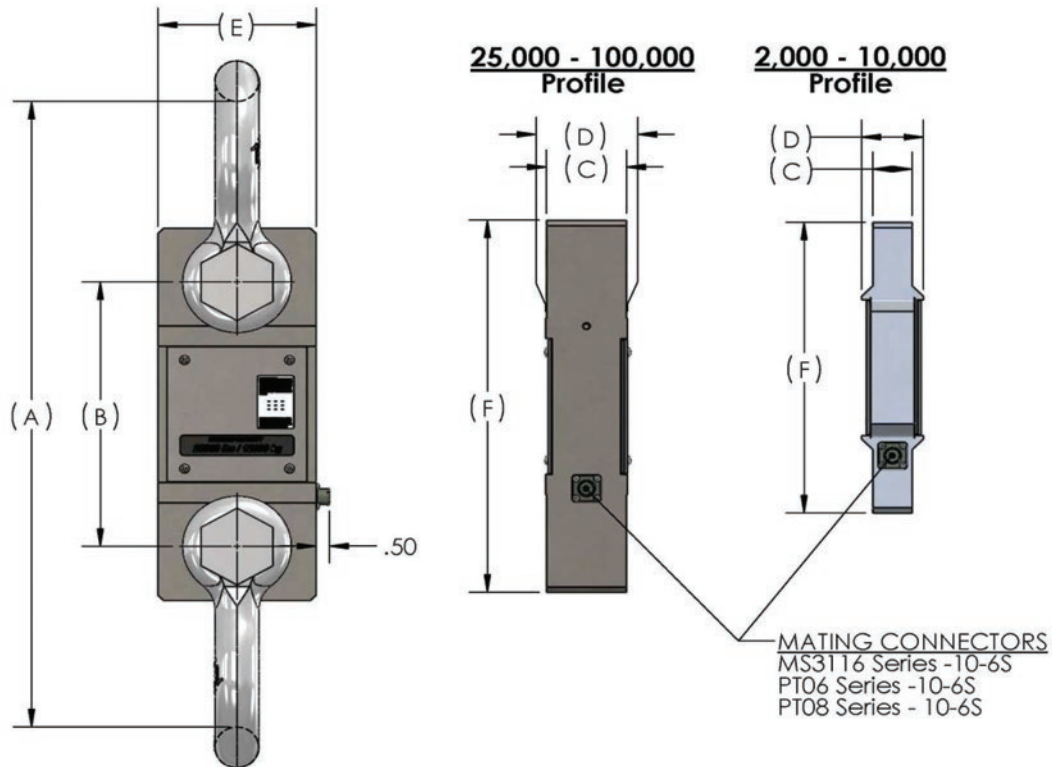
Part #	Description	Price
181907	2K 7200 Style Load Cell Only	Consult
181908	5K 7200 Style Load Cell Only	Consult
181909	10K 7200 Style Load Cell Only	Consult
178093	25K 7200 Style Load Cell Only	Consult
178094	50K 7200 Style Load Cell Only	Consult
181910	100K 7200 Style Load Cell Only	Consult
134505	Mating Cable Assembly, 10 ft	\$175.00

Contact factory for higher capacities

MSI Tension Link Load Cell

Dimensions

Capacity (lbs)	P/N	Load Cell Material	(A) Headroom Loss	(B) C-C Length	(C) Lug Thk	(D) Body Thk	(E) Body Width	(F) Body Length	Lug Hole	Crosby Shackle
2,000	181907	Aluminum	13.50 in	8.00 in	0.99 in	2.13 in	4.50 in	9.75 in	0.78 in	3-1/4 T 151357
5,000	181908	Aluminum	13.50 in	8.00 in	0.99 in	2.13 in	4.50 in	9.75 in	0.78 in	3-1/7 T 151357
10,000	181909	Aluminum	16.13 in	8.50 in	1.35 in	2.13 in	5.37 in	10.75 in	1.05 in	6-1/2 T 151355
25,000	178093	Steel	22.39 in	9.26 in	2.24 in	2.24 in	4.80 in	12.76 in	1.67 in	17 T 141992
50,000	178094	Steel	25.74 in	9.76 in	2.74 in	2.81 in	5.43 in	13.76 in	2.05 in	25 T 151356
100,000	181910	Steel	28.49 in	10.74 in	3.09 in	3.09 in	6.86 in	15.74 in	2.30 in	55 T 146336



MSI Clamp-On Load Cell



Specifications

System Accuracy of Calibrated Capacity:
3-5%

Material:
4340 steel, zinc plated

Output Resistance:
350 ohm

IP Rating:
IP68

Cable Color Code:
Red +Excitation
Black -Excitation
Green +Signal
White -Signal

Cable Length:
20 ft integral cable with blunt end termination



Optional SCT-2200 transmitter

Standard Features

- ETD 150 construction
- Accommodates up to 0.75 in wire rope size
- IP68
- Larger diameter clamp ons available - call for pricing

Options

- Custom sizes available on request
- Pair with an SCT transmitter for basic safety functions

Part Number/Price

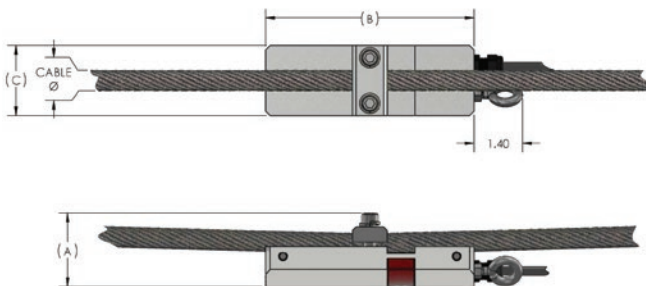
Part #	Description	Price
179080	Load Cell Assembly Clamp-On for 3/8 to 1/2 in wire rope	\$710.00
179082	Load Cell Assembly Clamp-On for 9/16 to 3/4 in wire rope	\$840.00
188816	Kit with SCT-2200 for 3/8 to 1/2 in wire rope	\$1,260.00
188817	Kit with SCT-2200 for 9/16 to 3/4 in wire rope	\$1,400.00

Larger diameter clamp ons available - call for pricing

Dimensions

Cable Range	Part #	A	B	C
3/8 - 1/2	179080	Cable + 1.70	6.00	2.00
9/16-3/4	179082	Cable + 1.67	6.00	2.00

*8mm cable can be used with PN 179080



VPG BLH

TABLE OF CONTENTS

COMPRESSION CANISTERS

Page 216

C2P1, ALLOY STEEL



Single-column design with low deflection and trouble-free operation. High alloy steel, epoxy coated for use in harsh environments. Compact and rugged. NTEP Certified capacities range from 20,000 lb to 200,000 lb; non-NTEP Certified capacity of 300,000 lb. Complete with 10 ft or 35 ft of load cell cable.



Page 217

C3P1, ALLOY STEEL



Single-column, environmentally-protected design provides low deflection and trouble-free operation. High-alloy steel, epoxy coated for corrosion resistance. Compact and rugged. Capacities range from 500 lb to 10,000 lb. Complete with 35 ft of load cell cable.



TENSION CANISTERS

Page 218

T2P1, ALLOY STEEL



Single-column, environmentally-protected design provides low deflection and trouble-free operation. High-alloy steel, epoxy-coated construction yields trouble-free performance in harsh environments. Designed for high-capacity tension applications. Capacities of 20,000 lb and 50,000 lb. Complete with 35 ft of load cell cable.



Page 219

T3P1, ALLOY STEEL



Single-column, environmentally-protected design provides low deflection and trouble-free operation. High-alloy steel, epoxy-coated construction yields trouble-free performance in harsh environments. Designed for high-capacity tension applications. Capacities of 20,000 lb and 50,000 lb. Complete with 35 ft of load cell cable.



COMPRESSION CANISTER

C2P1

Alloy Steel, Environmentally Sealed, NTEP Certified 1:4,500 Class IIIIL Multiple Cell, IP67

VPG BLH



APPROVALS



Interchangeable Products

- HBM®
- C10**.....—
- FAIRBANKS®
- 3-38065-X, 3-38066-X**.....—
- STREETER RICHARDSON®
- 2011611, 2011612**.....—
- STREETER RICHARDSON
- 2011613, 2011614, 2011617**.....—
- METTLER TOLEDO®
- 10049200A, 10014900A**.....—
- METTLER TOLEDO
- 10011900A, 10049300A**.....—

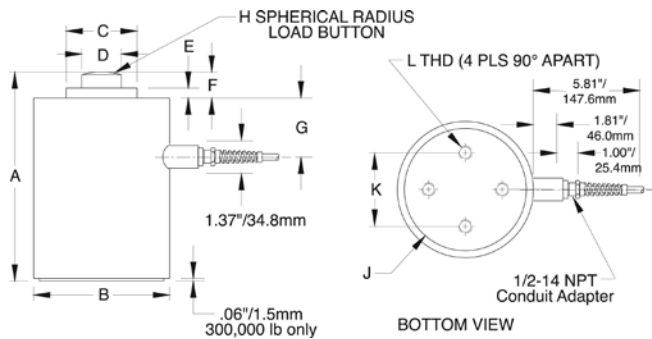
Dimensions

Picture is a representation of actual product

Rated Capacity lb/in	A	B	C	D	E	F	G	H	J	K	L
20,000-50,000	7.50	4.50	2.25	1.25	0.50	0.75	2.50	6.00	—	2.38	3/8-24 UNF × 3/8 DP
100,000	9.13	6.00	3.13	1.75	0.63	1.06	2.50	12.00	—	4.00	1/2-20 UNF × 3/4 DP
200,000	11.63	8.00	4.50	2.50	0.63	1.06	3.50	12.00	—	5.50	5/8-18 UNF × 1 DP
300,000	14.00	10.00	5.00	3.00	0.75	1.31	4.31	15.00	8.00	5.50	3/4-16 UNF × 1 1/4 DP

Order Information

Load Rating	Part #	Est. Weight	Price
NTEP Certified, 10 ft Cables			
20,000 lb	21625	25 lb	\$3,595.00
50,000 lb	21626	25 lb	\$3,495.00
100,000 lb	21627	50 lb	\$3,695.00
200,000 lb	21628	110 lb	\$3,995.00
NTEP Certified, 35 ft Cables			
20,000 lb	21630	25 lb	\$3,695.00
50,000 lb	21632	25 lb	\$3,595.00
100,000 lb	21633	50 lb	\$3,795.00
200,000 lb	21634	110 lb	\$4,195.00
Non-NTEP Certified, 10 ft Cables			
300,000 lb	17670	180 lb	\$8,095.00
Non-NTEP Certified, 35 ft Cables			
300,000 lb	17671	190 lb	\$8,195.00



Specifications

- Full Scale Output:**
2.0 mV/V
- Output Resistance:**
350 (± 3.5) ohm
- Input Resistance:**
350 (± 3.5) ohm
- Material/Finish:**
High-alloy steel, epoxy coated
- Temperature:**
Compensated range
14°F to 104°F/-10°C to 40°C
Operating range
0°F to 150°F/-18°C to 65°C
- Seal Type:**
NEMA Type 6 Environmentally sealed, IP67
- Safe Overload:**
150% full scale
- Rated Excitation:**
5- 10 VDC (20 V maximum)
- Nonlinearity:**
0.03% full scale
- Hysteresis:**
0.02% full scale
- Insulation Resistance:**
5,000 megohms

- Deflection at Capacity:**
20,000 lb=0.0075 in
30,000 lb=0.0075 in
50,000 lb=0.0065 in
100,000 lb=0.0075 in
200,000 lb=0.0070 in
300,000 lb=0.012 in

- Cable Length:**
10 ft
35 ft

- Cable Color Code:**
Green +Excitation
Black -Excitation
White +Signal
Red -Signal
Yellow Shield

- Warranty:**
Three-year limited warranty

- Approvals:**
NTEP
FM

www.ricelake.com | Phone: 800-472-6703



Interchangeable Products

- FAIRBANKS®
3-38054-X..... —
- METTLER TOLEDO®
1004400A, KN713700..... —
- METTLER TOLEDO
KB200570, 10049100A..... —

Specifications

- Full Scale Output:**
3.0 mV/V
- Output Resistance:**
350 (± 3.5) ohm
- Input Resistance:**
350 (± 3.5) ohm
- Material/Finish:**
High-alloy steel, epoxy coated
- Temperature:**
Operating range
0° F to 150° F/ -18° C to 65° C
- Seal Type:**
NEMA Type 6 Environmentally sealed, IP67
- Safe Overload:**
150% full scale
- Rated Excitation:**
5-10 VDC (20 V maximum)
- Nonlinearity:**
0.05% full scale
- Hysteresis:**
500 lb=0.05% full scale
1,000-10,000 lb=0.02% full scale
- Insulation Resistance:**
5,000 megohms
- Deflection at Capacity:**
500 lb=0.007 in
1,000 lb=0.006 in
2,000 lb=0.005 in
3,000 lb=0.005 in
5,000 lb=0.007 in
10,000 lb=0.005 in
- Cable Length:**
35 ft
- Cable Color Code:**
Green +Excitation
Black -Excitation
White +Signal
Red -Signal
Yellow Shield
- Warranty:**
Three-year limited warranty
- Approvals:**
FM

APPROVALS



Dimensions

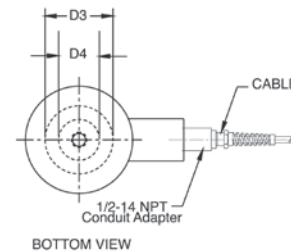
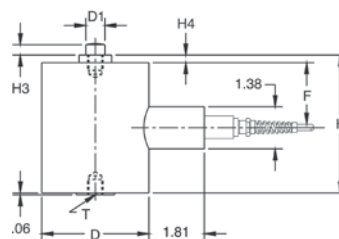
Picture is a representation of actual product

Rated Capacity	D	D1	D3	D4	F	H	H3	H4	L	T
500-3,000	3.50	0.62	1.25	—	2.25	4.56	0.38	0.25	—	1/2-20 UNF × 0.50 DP
5,000-10,000	3.50	1.06	2.50	1.75	2.66	5.94	0.62	0.38	0.50	1-14 UNS × 1.25 DP

Order Information

Load Rating	Part #	Est. Weight	Price
500 lb	17672	10 lb	\$3,595.00
1,000 lb	17673	10 lb	\$3,595.00
2,000 lb	17674	10 lb	\$3,595.00
3,000 lb	17675	10 lb	\$3,595.00
5,000 lb	17676	15 lb	\$3,695.00
10,000 lb	17677	15 lb	\$3,695.00

HOLES CAN BE DRILLED WITHIN THIS AREA TO RECEIVE LOCKING SCREWS. MAX. DEPTH OF HOLES IS "L" DIM.



TENSION CANISTER

T2P1

Alloy Steel, Environmentally Sealed, IP67

VPG BLH



APPROVALS



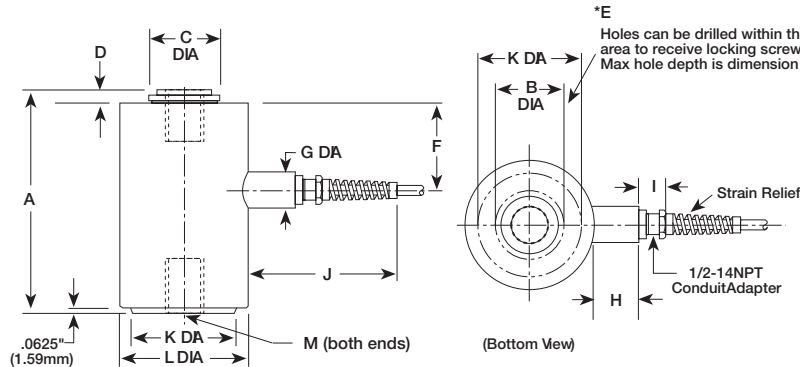
Dimensions

Picture is a representation of actual product

Rated Capacity	A	B	C	D	E	F	G	H	I	J	K	L	M
lb/in													
20,000	8.50	2.63	2.75	0.50	1.00	3.38	1.38	1.81	1.00	5.81	4.00	5.00	1 1/2-12 UNF x 2 DP
50,000	11.44	3.75	4.00	0.63	1.00	5.00	1.38	1.81	1.00	5.81	5.75	6.50	2-12 UNF x 2.63 DP

Order Information

Load Rating	Part #	Est. Weight	Price
20,000 lb	17660	30 lb	\$3,695.00
50,000 lb	17661	65 lb	\$3,895.00



Interchangeable Products

FAIRBANKS®

657090, 657091.....—

STREETER RICHARDSON®

2011711, 2011712.....—

Specifications

Full Scale Output:
2.0 mV/V

Output Resistance:
350 (± 3.5) ohm

Input Resistance:
350 (± 3.5) ohm

Material/Finish:
High-alloy steel, epoxy coated

Temperature:
Operating range
0° F to 150° F/-18° C to 65° C

Seal Type:
Environmentally sealed, IP67

Safe Overload:
150% full scale

Rated Excitation:
5-10 V AC/DC (20 V maximum)

Combined Error:
±0.03% full scale

Repeatability:
0.02% full scale

Insulation Resistance:
5,000 megohms

Deflection at Capacity:
20,000 lb=0.0075 in
50,000 lb=0.0100 in

Cable Length:
35 ft

Cable Color Code:
Green +Excitation
Black -Excitation
White +Signal
Red -Signal
Yellow Shield

Warranty:
Three-year limited warranty

Approvals:
FM

www.ricelake.com | Phone: 800-472-6703



Interchangeable Products

FAIRBANKS®

3-39897-X, 3-40766-X.....—

STREETER RICHARDSON®

20117XX.....—

METTLER TOLEDO®

10048X00A, KN75066.....—

Specifications

Full Scale Output:

3.0 mV/V

Output Resistance:

350 ohm (+/- 3.5)

Input Resistance:

350 ohm (+/- 3.5)

Material/Finish:

High-alloy steel, epoxy coated

Temperature:

Operating range

0° F to 150° F/-18° C to 65° C

Seal Type:

Environmentally sealed, IP67

Safe Overload:

150% full scale

Rated Excitation:

5- 10 V AC/DC (20 V maximum)

Nonlinearity:

0.05% full scale

Hysteresis:

500 lb=0.05% full scale

1,000-10,000 lb =0.0% full scale

Insulation Resistance:

5,000 megohms

Deflection at Capacity:

500 lb=0.007 in

1,000 lb=0.006 in

2,000 lb=0.005 in

3,000 lb=0.005 in

5,000 lb=0.007 in

10,000 lb=0.005 in

Cable Length:

35 ft

Cable Color Code:

Green +Excitation

Black -Excitation

White +Signal

Red -Signal

Yellow Shield

Warranty:

Three-year limited warranty

Approvals:

FM

APPROVALS



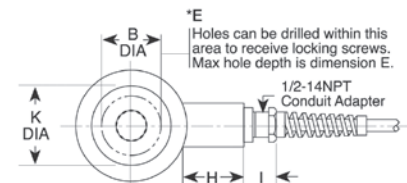
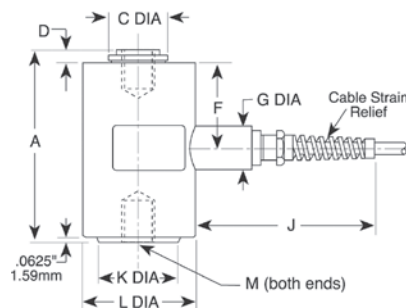
Dimensions

Picture is a representation of actual product

Rated Capacity	A	B	C	D	E	F	G	H	I	J	K	L	M
500-3,000 lb/in	4.56	—	1.06	0.25	—	2.25	1.38	1.81	1.00	5.81	1.25	3.50	1/2-20 UNF × 0.5 DP
5,000-10,000 lb/in	5.93	1.75	1.87	0.38	0.50	2.66	1.38	1.81	1.00	5.81	2.50	3.50	1-14 UNS × 1.25 DP

Order Information

Load Rating	Part #	Est. Weight	Price
500 lb	17654	10 lb	\$3,595.00
1,000 lb	17655	10 lb	\$3,595.00
2,000 lb	17656	10 lb	\$3,595.00
3,000 lb	17657	10 lb	\$3,595.00
5,000 lb	17658	15 lb	\$3,695.00
10,000 lb	17659	15 lb	\$3,695.00



VPG Celtron

TABLE OF CONTENTS

S-BEAMS

Page 223

STC, LOW-CAPACITY, ALLOY STEEL



Ideally suited for batching and filling, conveyor and hopper/tank weighing. Nickel plated, high-alloy steel construction. Capacities range from 50 lb to 200 lb. Complete with 20 ft of load cell cable.



Page 224

STC, ALLOY STEEL



Ideally suited for batching, filling and hopper/tank weighing. Nickel plated, alloy steel construction. Capacities range from 250 lb to 40,000 lb. Complete with 20 ft of load cell cable.



Page 225

STC SS, STAINLESS STEEL



The VPG® Celtron STC has been a popular industry s-beam for some time, and for the first time is available in a stainless steel version. This high-quality product is ideal for tension applications, and provides the additional protection of being manufactured from stainless steel. Capacities range from 250 lb to 10,000 lb. Each unit is provided with a standard 20 ft of load cell cable.



Page 226

STC-HSS, STAINLESS STEEL



The VPG® Celtron STC HSS provides upgraded protection to the standard environmentally sealed s-beam for dry, but dirty suspended tank, hopper and mechanical replacement applications. An economical alternative to fully stainless, welded s-beams, the STC HSS provides a mid-range solution where none previously existed. Available in capacities ranging from 500 lb to 10,000 lb. Each unit includes 20 ft of standard load cell cable.

SINGLE-ENDED BEAMS

Page 227

SQB, ALLOY STEEL



Single-ended beam designed for low-profile scales and platform, hopper and tank weighing applications. NTEP Certified cells in capacities from 1,000 lb to 10,000 lb; Non-NTEP Certified cells in 500 lb, 15,000 lb and 20,000 lb capacities. Complete with 20 ft of load cell cable.



Page 228

SQB-HSS, STAINLESS STEEL



The VPG® Celtron SQB-HSS stainless steel, welded-seal, single-ended beam is a precision load cell offering exceptional performance and reliability in hostile environment applications typical of food and chemical processing. Designed for single or multiple load cell installations, the SQB-HSS is provided with a threaded load hole for easy adaptation of mounting hardware or leveling feet typical of floor scales. Capacities range from 1,000 lb to 10,000 lb. Complete with 20 ft of load cell cable.



Page 229

MBB, ALLOY STEEL



Ultra-small load cell designed for bench, platform, tank and conveyor weighing applications. Nickel plated and environmentally protected with a stainless steel side plate. Capacities range from 50 lb to 250 lb. Complete with 5 ft of load cell cable.



VPG Celtron

SINGLE-ENDED BEAMS

Page 230

SEB, ALLOY STEEL



The VPG® Celtron SEB is a single-ended beam designed for various scale and process weighing applications. This unit is manufactured from high-alloy steel that has been nickel plated to ensure an IP67 rating. The product is OIML approved and has metric envelope capacities ranging from 500 kg to 2.5 t. Each unit is provided with 20 ft of standard load cell cable to deliver an accurate yet economical package.



DOUBLE-ENDED BEAMS

Page 231

DSR, ALLOY STEEL



Double-ended beam with center loading. Designed for tank, hopper and silo applications. Capacities range from 1,000 lb to 75,000 lb. Complete with 25 ft of load cell cable.



Page 232

MDB, ALLOY STEEL



The VPG® Celtron MDB is a unique, compact style of load cell and mount assembly that is popular in many parts of the world for use in truck scales. The load cell is a double-ended shear beam for long life and includes ball and cups. Capacities range from 10t to 50t.



All capacities include cup and ball.

Page 233

CLB, ALLOY STEEL



The VPG® Celtron CLB is an alloy steel, nickel-plated, double-ended beam that is ideal for applications in truck, track, tank and hopper applications. This product is of the center-loaded design, and is compatible with both the MVS and TSA mounting assemblies. Available in capacities ranging from 20,000 lb to 125,000 lb, with all units being provided with 35 ft of load cell cable.



SINGLE POINTS

Page 234

LPS, ALUMINUM



The LPS is the lightest model of VPG® Celtron single-point load cell family. The design is most suitable for mass production operations. LPS is constructed of anodized aluminum and is fully potted IP65 levels, providing excellent protection against moisture ingress.



Page 235

LOC, ALUMINUM, HEAVY CAPACITY



Low-profile, off-center loading load cell. Designed for direct mounting of a weighing platform and hanging scales. Long-term stability and durability are maintained. Capacities range from 100 kg to 500 kg. Complete with 3.1 m of load cell cable.



COMPRESSION CANISTERS

Page 236

LCD, ALLOY STEEL



Environmentally protected, low-profile compression disk. 5,000 lb and 10,000 lb models can also be used in tension-loading applications. The shear web design provides excellent performance and a low-profile feature makes it ideal for applications where height is critical. Capacities range from 5,000 lb to 100,000 lb. Complete with 50 ft of load cell cable.



Interchangeable Products

RICE LAKE WEIGHING SYSTEMS
RL20000I.....page 128

Weigh Module Available

RICE LAKE WEIGHING SYSTEMS
ITCM-Isolated Tension Cell
Mount.....page 44

Specifications

Full Scale Output:
3.0 mV/V (50 lb capacity, 2.0 mV/V)

Output Resistance:
350 (± 3) ohm

Input Resistance:
385 (± 5) ohm

Material/Finish:
High-alloy steel, nickel plated

Temperature:
Operating range
0° F to 150° F (-18° C to 65° C)

Seal Type:
Environmentally sealed, IP67

Safe Overload:
150% full scale

Rated Excitation:
5- 10 VDC (15 V maximum)

Nonlinearity:
0.03% full scale

Hysteresis:
0.02% full scale

Insulation Resistance:
5,000 megohms

Cable Length:
20 ft

Cable Diameter:
0.200 in polyurethane jacket

Cable Color Code:
Red +Excitation
Black -Excitation
Green +Signal
White -Signal

Warranty:
One-year limited warranty

Approvals:
cFMus



APPROVALS



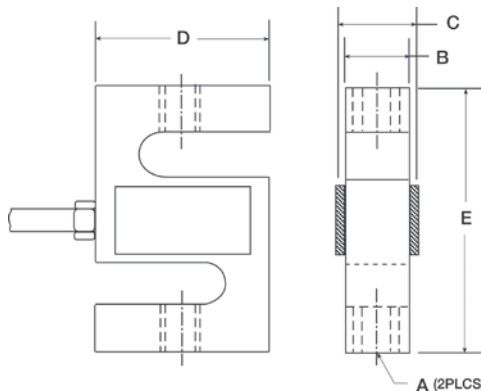
Dimensions

Picture is a representation of actual product

Rated Capacity	A	B	C	D	E
lb/in					
50-200	1/4-28 UNF	0.50	1.05	2.00	2.50

Order Information

Load Rating	Part #	Est. Weight	Price
50 lb	30044	2 lb	\$185.00
100 lb	30045	2 lb	\$185.00
150 lb	30046	2 lb	\$185.00
200 lb	35787	2 lb	\$185.00



S-BEAM
STC

Alloy Steel, Environmentally Sealed, NTEP Certified 1:5,000 III/1:10,000 IIIL Single Cell, IP67



APPROVALS



Interchangeable Products

- RICE LAKE WEIGHING SYSTEMS
RL20001I.....page 131
- VPG® SENSORTRONICS
60001.....page 311

Weigh Module Available

- RICE LAKE WEIGHING SYSTEMS
ITCM-Isolated Tension Cell Mount.....page 44

Dimensions

Picture is a representation of actual product

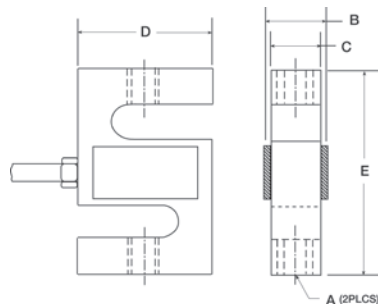
Rated Capacity	A	B	C	D	E
lb/in					
250	3/8-24 UNF	0.75	0.50	2.00	3.00
500-1,500	1/2-20 UNF	1.00	0.75	2.00	3.00
2,000-3,000	1/2-20 UNF	1.25	1.00	2.00	3.00
5,000	3/4-16 UNF	1.25	1.00	3.00	4.25
10,000	3/4-16 UNF	1.25	1.00	3.50	4.75
15,000	1-14 UNS	1.50	1.25	4.00	5.50
20,000	1 1/4-12 UNF	2.19	2.00	5.00	7.00
40,000	1 1/2-12 UNF	2.75	2.50	6.00	10.00

Order Information

Load Rating	Part #	Est. Weight	Price
NTEP Certified			
250 lb	30047	2 lb	\$195.00
500 lb	30051	2 lb	\$195.00
750 lb	30054	2 lb	\$195.00
1,000 lb	30067	2 lb	\$195.00
1,500 lb	30069	2 lb	\$195.00
2,000 lb	30072	3 lb	\$195.00
2,500 lb	30073	3 lb	\$195.00
3,000 lb	30074	3 lb	\$265.00
5,000 lb	30076	3 lb	\$375.00
10,000 lb	30077	5 lb	\$375.00
15,000 lb	30078	9 lb	\$475.00
20,000 lb	30079	17 lb	\$775.00
Non-NTEP Certified			
40,000 lb	46674	39 lb	\$955.00

Special Load Cells

Load Rating	Part #	Est. Weight	Price
30 ft Cable Matched Outputs			
3,000 lb	67882	3 lb	\$288.00
5,000 lb	67881	4 lb	\$525.00
20,000 lb	67883	17 lb	\$865.00



Specifications

- Full Scale Output:** 3.0 mV/V nominal
- Output Resistance:** 350 (± 3) ohm
- Input Resistance:** 385 (± 5) ohm
- Material/Finish:** High-alloy steel, nickel plated
- Temperature:** Compensated range 14°F to 104°F (-10°C to 40°C)
Operating range 0° F to 150° F (-18° C to 65° C)
- Seal Type:** Environmentally sealed, IP67
- Safe Overload:** 150% full scale
- Rated Excitation:** 5-10 VDC (15 V maximum)
- Non-Repeatability:** 0.01% full scale
- Combined Error:** 0.02% full scale
- Insulation Resistance:** 5,000 megohms
- Cable Length:** 20 ft
- Cable Diameter:** 250-20,000 lb=0.200 in
40,000 lb=0.305 in polyurethane jacket
- Cable Color Code:** Red +Excitation
Black -Excitation
Green +Signal
White -Signal
- Warranty:** One-year limited warranty
- Approvals:** cFMus
NTEP

Interchangeable Products

VPG® SENSORTRONICS
60050 page 312

Specifications

- Full Scale Output:**
3.0 mV/V nominal
- Output Resistance:**
350 (± 3) ohm
- Input Resistance:**
385 (± 5) ohm
- Material/Finish:**
Stainless steel
- Temperature:**
Operating range
0° F to 150° F (-18° C to 65° C)
- Seal Type:**
Environmentally sealed, IP67
- Safe Overload:**
150% full scale
- Rated Excitation:**
5- 10 VDC (15 V maximum)
- Nonlinearity:**
0.03% full scale
- Hysteresis:**
0.02% full scale
- Insulation Resistance:**
5,000 megohms
- Cable Length:**
20 ft
- Cable Diameter:**
0.200 in polyurethane jacket
- Cable Color Code:**
Red +Excitation
Black -Excitation
Green +Signal
White -Signal
- Warranty:**
One-year limited warranty
- Approvals:**
cFMus



APPROVALS



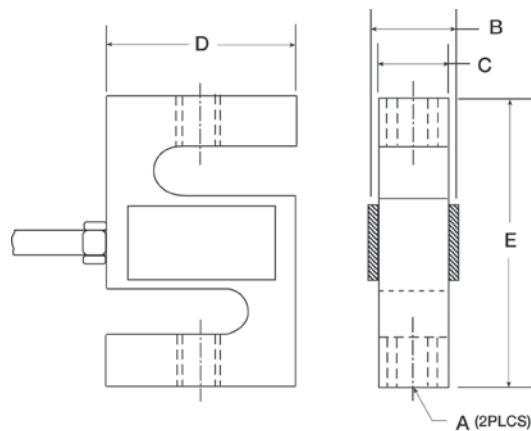
Dimensions

Picture is a representation of actual product

Rated Capacity	A	B	C	D	E
lb/in					
250	3/8-24 UNF	0.75	0.50	2.00	3.00
500-1,500	1/2-20 UNF	1.00	0.75	2.00	3.00
2,000-3,000	1/2-20 UNF	1.25	1.00	2.00	3.00
5,000	3/4-16 UNF	1.25	1.00	3.00	4.25
10,000	3/4-16 UNF	1.25	1.00	3.50	4.25

Order Information

Load Rating	Part #	Est. Weight	Price
250 lb	46659	2 lb	\$312.00
500 lb	46661	2 lb	\$312.00
750 lb	46662	2 lb	\$312.00
1,000 lb	46663	2 lb	\$312.00
1,500 lb	46664	2 lb	\$312.00
2,000 lb	46665	2 lb	\$312.00
2,500 lb	46666	3 lb	\$335.00
3,000 lb	46667	2 lb	\$335.00
5,000 lb	46668	4 lb	\$470.00
10,000 lb	46669	4 lb	\$480.00





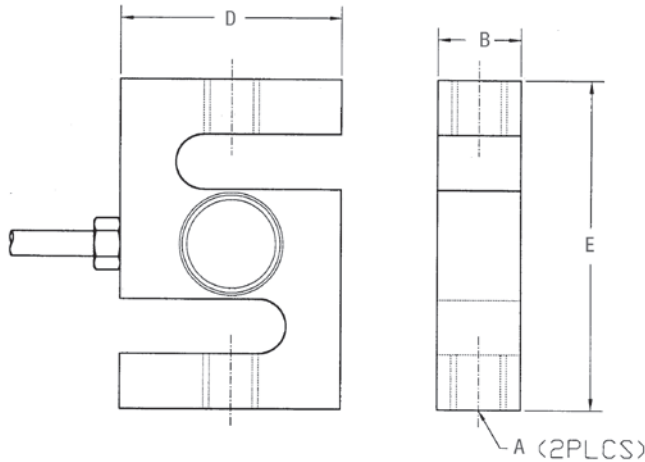
Dimensions

Picture is a representation of actual product

Rated Capacity	A	B	D	E
lb/in				
500-3,000	1/2-20 UNF	1.00	2.00	2.97
5,000-10,000	3/4-16 UNF	1.00	3.00	4.25

Order Information

Load Rating	Part #	Est. Weight	Price
500 lb	69326	2 lb	\$493.00
750 lb	69327	2 lb	\$493.00
1,000 lb	69328	2 lb	\$493.00
1,500 lb	69329	2 lb	\$493.00
2,000 lb	69330	2 lb	\$493.00
2,500 lb	69331	2 lb	\$493.00
3,000 lb	69332	2 lb	\$525.00
5,000 lb	69333	4 lb	\$736.00
10,000 lb	69334	4 lb	\$736.00



Weigh Module Available

RICE LAKE WEIGHING SYSTEMS
ITCM-Isolated Tension Cell Mount.....page 44

Specifications

Full Scale Output:
2.0 mV/V

Output Resistance:
350 (± 3) ohm

Input Resistance:
385 (± 5) ohm

Material/Finish:
Stainless steel

Temperature:
Operating range
0° F to 150° F (-18° C to 65° C)

Seal Type:
Welded-seal, IP67

Safe Overload:
150% full scale

Rated Excitation:
5- 10 VDC (15 V maximum)

Combined Error:
0.05%

Insulation Resistance:
5,000 megohms

Cable Length:
20 ft

Cable Diameter:
0.200 in polyurethane jacket

Cable Color Code:
Red +Excitation
Black -Excitation
Green +Signal
White -Signal

Warranty:
One-year limited warranty

Interchangeable Products

VPG® SENSORTRONICS
65023A..... page 317

Weigh Module Available

RICE LAKE WEIGHING SYSTEMS
RL50210TA..... page 50
RICE LAKE WEIGHING SYSTEMS
RL1800 Series..... page 62



APPROVALS



Specifications

- Full Scale Output:**
3.0 mV/V
- Output Resistance:**
350 (± 3) ohm
- Input Resistance:**
385 (± 5) ohm
- Material/Finish:**
High-alloy steel, nickel plated
- Temperature:**
Compensated range
14°F to 104°F (-10°C to 40°C)
Operating range
0° F to 150° F (-18° C to 65° C)
- Seal Type:**
Environmentally sealed, IP67
- Safe Overload:**
150% full scale
- Safe Sideload:**
100% full scale
- Rated Excitation:**
5- 10 VDC (15 V maximum)
- Combined Error:**
0.02% full scale
- Insulation Resistance:**
5,000 megohms
- Deflection at Capacity:**
500-1,000 lb=0.013 in
2,000-3,000 lb=0.015 in
4,000-5,000 lb=0.025 in
10,000 lb=0.035 in
- Cable Length:**
20 ft
- Cable Diameter:**
0.200 in polyurethane jacket
- Cable Color Code:**
Red +Excitation
Black -Excitation
Green +Signal
White -Signal
- Warranty:**
One-year limited warranty

Approvals:

cFMus
NTEP

Dimensions

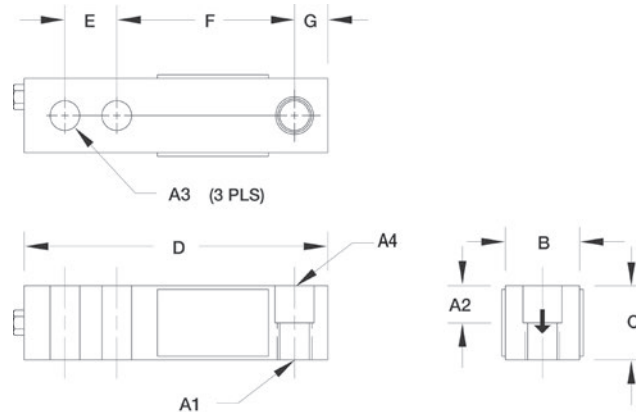
Picture is a representation of actual product

Rated Capacity	A4	A2	A3	A1	B	C	D	E	F	G
lb/in										
500	0.53 dia	0.50	0.53	1/2-20 UNF	1.25	1.00	5.12	1.00	3.00	0.50
1,000-5,000 SE	0.53 dia	0.62	0.53	1/2-20 UNF	1.25	1.25	5.12	1.00	3.00	0.50
5,000 LE-10,000	0.78 dia	0.75	0.78	3/4-16 UNF	1.50	1.50	6.75	1.50	3.75	0.75
15,000-20,000	1.03 dia	1.00	1.03	1-14 UNS	2.00	2.00	8.88	2.00	4.88	1.00

Order Information

Load Rating	Part #	Est. Weight	Price
NTEP Certified			
1,000 lb	30106	3 lb	\$205.00
2,000 lb	30109	3 lb	\$205.00
2,500 lb	30112	3 lb	\$205.00
3,000 lb	30113	3 lb	\$205.00
4,000 lb	30270	3 lb	\$205.00
5,000 lb SE	30114	3 lb	\$205.00
5,000 lb LE	30115	5 lb	\$350.00
10,000 lb	30117	5 lb	\$350.00
Non-NTEP Certified			
500 lb	30101	3 lb	\$196.00
15,000 lb	30118	9 lb	\$455.00
20,000 lb	30121	10 lb	\$470.00

SE=small envelope; LE=large envelope



SINGLE-ENDED BEAM
SQB-HSS

Stainless Steel, Welded Seal, NTEP Certified 1:5,000 Class III Multiple Cell, IP67

VPG CELTRON



APPROVALS



Dimensions

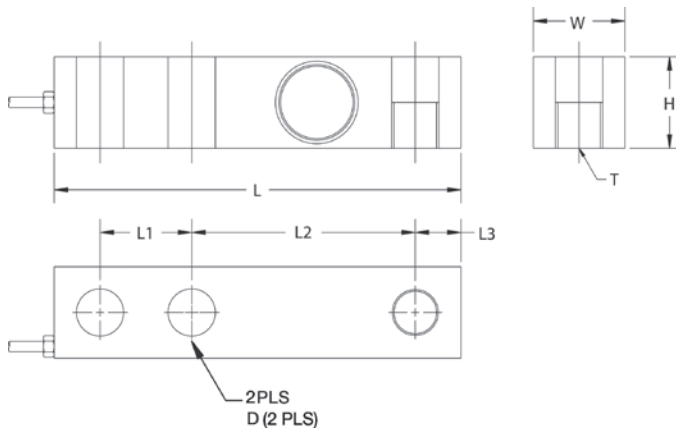
Picture is a representation of actual product

Rated Capacity	L	L1	L2	L3	W	H	D	T
lb/in								
1,000-5,000 SE	5.12	1.00	3.00	0.50	1.25	1.25	0.53	1/2-20 UNF
5,000-10,000	6.75	1.50	3.75	0.75	1.50	1.50	0.78	3/4-16 UNF

Order Information

Load Rating	Part #	Est. Weight	Price
1,000 lb	67118	3 lb	\$344.00
2,000 lb	67119	3 lb	\$344.00
2,500 lb	67120	3 lb	\$344.00
3,000 lb	67121	3 lb	\$344.00
4,000 lb	67122	3 lb	\$344.00
5,000 lb SE	67123	3 lb	\$344.00
5,000 lb	67124	5 lb	\$450.00
10,000 lb	67125	5 lb	\$450.00

SE=small envelope



Interchangeable Products

VPG® SENSORTRONICS
65083..... page 320

Weigh Module Available

RICE LAKE WEIGHING SYSTEMS
RL1800 Series..... page 62

Specifications

Full Scale Output:
3.0 mV/V

Output Resistance:
350 (± 3) ohm

Input Resistance:
385 (± 5) ohm

Material/Finish:
Stainless steel

Temperature:
Compensated range
14°F to 104°F (-10° C to 40° C)
Operating range
0° F to 150° F (-18° C to 65° C)

Seal Type:
Welded-seal, IP67

Safe Overload:
150% full scale

Safe Sideload:
100% full scale

Rated Excitation:
5-10 VDC (15 V maximum)

Combined Error:
0.02 full scale

Insulation Resistance:
5,000 megohms

Cable Length:
20 ft

Cable Diameter:
0.200 in polyurethane jacket

Cable Color Code:
Red +Excitation
Black -Excitation
Green +Signal
White -Signal

Warranty:
One-year limited warranty

Approvals:
cFMus
NTEP

www.ricelake.com | Phone: 800-472-6703



Interchangeable Products

INTERFACE®

MB.....-

Specifications

Full Scale Output:

3.0 mV/V

Output Resistance:

350 (± 3) ohm

Input Resistance:

385 (± 5) ohm

Material/Finish:

High-alloy steel, nickel plated

Temperature:

Operating range
0° F to 150° F (-18° C to 65° C)

Seal Type:

Environmentally sealed, IP65

Safe Overload:

150% full scale

Rated Excitation:

5- 10 VDC (15 V maximum)

Nonlinearity:

0.03% full scale

Hysteresis:

0.02% full scale

Insulation Resistance:

5,000 megohms

Cable Length:

5 ft

Cable Color Code:

Red +Excitation
Black -Excitation
Green +Signal
White -Signal

Warranty:

One-year limited warranty

Approvals:

cFMus



APPROVALS



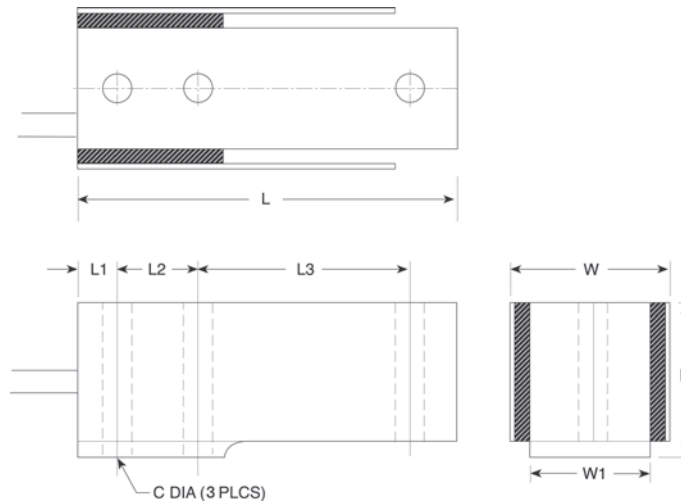
Dimensions

Picture is a representation of actual product

Rated Capacity	C	W	W1	H	L	L1	L2	L3
50-150	0.17	0.75	0.50	0.98	2.38	0.25	0.50	1.33
250	0.17	1.00	0.75	0.98	2.38	0.25	0.50	1.33

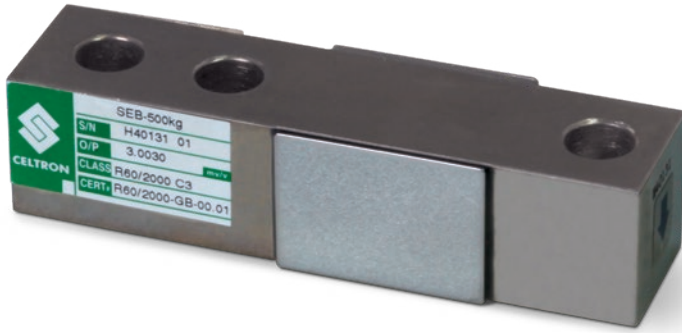
Order Information

Load Rating	Part #	Est. Weight	Price
50 lb	30130	2 lb	\$205.00
100 lb	30131	2 lb	\$205.00
150 lb	30132	2 lb	\$205.00
250 lb	35786	2 lb	\$205.00



SEB

Alloy Steel, Environmentally Sealed, OIML C3, IP67



APPROVALS



Specifications

- Full Scale Output:**
3.0 mV/V
- Output Resistance:**
350 (± 3) ohm
- Input Resistance:**
385 (± 5) ohm
- Material/Finish:**
High-alloy steel, nickel plated
- Temperature:**
Compensated range
14° F to 104° F (-10° C to 40° C)
Operating range
0° F to 150° F (-18° C to 65° C)
- Seal Type:**
Environmentally sealed, IP67

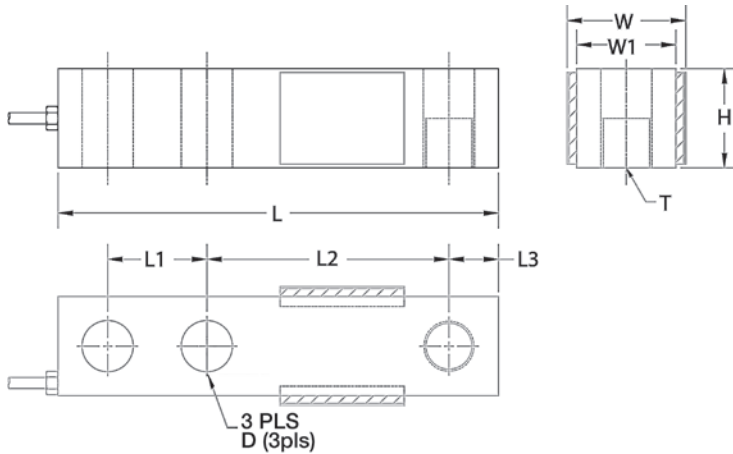
Dimensions

Picture is a representation of actual product

Rated Capacity	L	L1	L2	L3	W	W1	H	D	T
kg-t/in									
500-2.5	5.12	1.00	3.00	0.50	1.50	1.25	1.25	0.53	M12 × 1.75

Order Information

Load Rating	Part #	Est. Weight	Price
500 kg	69315	3 lb	\$228.00
1t	69316	3 lb	\$228.00
1.5t	69317	3 lb	\$228.00
2t	69318	3 lb	\$228.00
2.5t	69319	3 lb	\$228.00



- Safe Overload:**
150% full scale
- Safe Sideload:**
100% full scale
- Rated Excitation:**
5- 10 VAC/DC (15 V maximum)
- Combined Error:**
0.025% full scale
- Insulation Resistance:**
5,000 megohms
- Cable Length:**
20 ft
- Cable Diameter:**
0.200 in polyurethane jacket
- Cable Color Code:**
Red +Excitation
Black -Excitation
Green +Signal
White -Signal
- Warranty:**
One-year limited warranty
- Approvals:**
cFMus
OIML

Interchangeable Products

- RICE LAKE WEIGHING SYSTEMS
RL75016 page 166
- RICE LAKE WEIGHING SYSTEMS
RL75016WHE page 170
- VPG® SENSORTRONICS
65016 page 326
- VPG® REVERE
5203 —

Weigh Module Available

- RICE LAKE WEIGHING SYSTEMS
RL1600 Series page 98 and page 100



APPROVALS



Dimensions

Picture is a representation of actual product

Rated Capacity	A1	A2	C	D	E	F
lb/in						
1,000-5,000	0.50	1.25	1.25	1.25	7.50	6.25
10,000-25,000	0.81	1.99	1.44	1.94	8.75	7.50
50,000	1.31	3.00	2.44	2.94	13.50	11.50
75,000	1.31	—	2.44	2.94	13.50	11.50

Specifications

- Full Scale Output:**
3.0 mV/V
- Output Resistance:**
700 (± 5) ohm
- Input Resistance:**
770 (± 10) ohm
- Material/Finish:**
High-alloy steel, nickel plated
- Temperature:**
Operating range
0° F to 150° F (-18° C to 65° C)
- Seal Type:**
Environmentally sealed, IP67
- Safe Overload:**
150% full scale
- Safe Sideload:**
100% full scale
- Rated Excitation:**
5-10 VDC (15 V maximum)
- Nonlinearity:**
0.03% full scale
- Hysteresis:**
0.02% full scale

- Insulation Resistance:**
5,000 megohms
- Deflection at Capacity:**
1,000-3,000 lb=0.01 in
5,000 lb=0.015 in
10,000-20,000 lb=0.022 in
25,000 lb=0.036 in
50,000 lb=0.052 in
75,000 lb=0.07 in

- Cable Length:**
25 ft
- Cable Diameter:**
1,000-25,000 lb=0.200 in
50,000-75,000 lb=0.305 in
polyurethane jacket

- Cable Color Code:**
Red +Excitation
Black -Excitation
Green +Signal
White -Signal

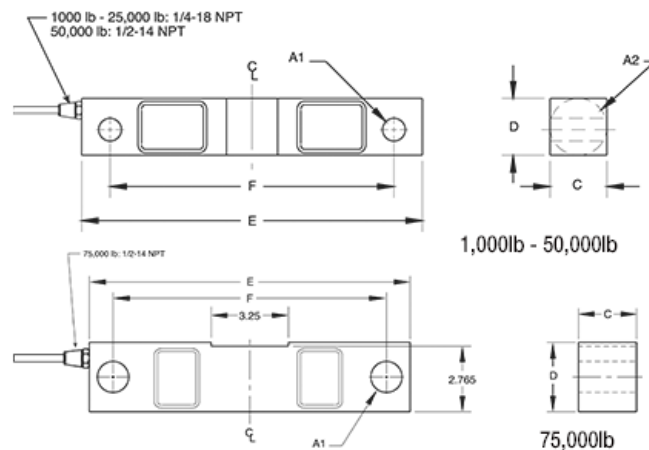
- Warranty:**
One-year limited warranty

- Approvals:**
cFMus

Order Information

Load Rating	Part #	Est. Weight	Price
1,000 lb	30080	4 lb	\$525.00
1,500 lb	30081	4 lb	\$525.00
2,000 lb	30088	4 lb	\$525.00
2,500 lb	30089	4 lb	\$525.00
3,000 lb	30091	4 lb	\$525.00
5,000 lb	30094	4 lb	\$525.00
10,000 lb	30095	7 lb	\$610.00
15,000 lb	30096	7 lb	\$610.00
20,000 lb	30097	7 lb	\$610.00
25,000 lb	30098	7 lb	\$610.00
50,000 lb	30099	25 lb	\$875.00
75,000 lb*	30100	25 lb	\$875.00

**75,000 lb capacity has a square center*



MDB

Alloy Steel, Environmentally Sealed, IP67

**DISCONTINUED
LIMITED STOCK
AVAILABLE**



APPROVALS



Specifications

- Full Scale Output:**
2 mV/V
- Output Resistance:**
700 (± 5) ohm
- Input Resistance:**
770 (± 10) ohm
- Material/Finish:**
High alloy steel, nickel plated
- Temperature:**
Operating range
0° F to 150° F (-18° C to 65° C)
- Seal Type:**
Environmentally sealed, IP67

Dimensions

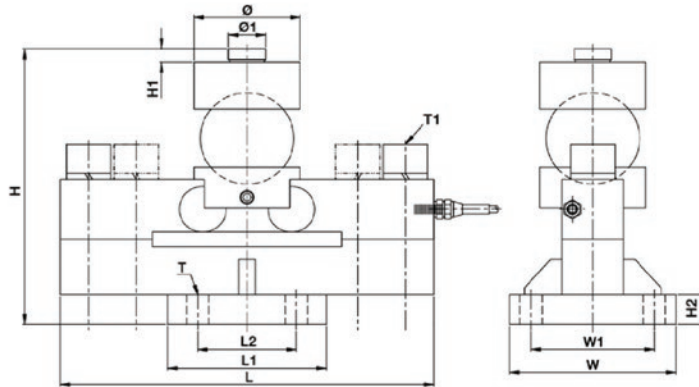
Picture is a representation of actual product

Rated Capacity	L	L1	L2	H	H1	H2	Ø	Ø1	W	W1	T1
t/mm											
10-30	240.0	125.0	80.0	230.0	11.0	20.0	88.0	30.0	135.0	100.0	2-M24
40-50	340.0	160.0	124.0	261.0	11.0	20.0	98.0	40.0	160.0	124.0	2-M24

Order Information

Load Rating	Part #	Est. Weight	Price
10 t	169240	49 lb	\$550.00
20 t	169241	49 lb	\$583.00
25 t	169242	49 lb	\$583.00
30 t	169243	49 lb	\$583.00
40 t	169244	60 lb	\$1,267.00
50 t	169245	60 lb	\$1,267.00

All capacities include cup and ball



- Safe Overload:**
50% full scale
- Rated Excitation:**
5-10 VDC (15 VDC max)
- Nonlinearity:**
0.030% full scale
- Hysteresis:**
0.030% full scale
- Insulation Resistance:**
5,000 megohms
- Cable Length:**
13.5 m
- Cable Color Code:**
Red +Excitation
Black -Excitation
Green +Signal
White -Signal
- Warranty:**
One-year limited warranty
- Approvals:**
cFMus

Interchangeable Products

RICE LAKE WEIGHING SYSTEMS

RL75058I page 171

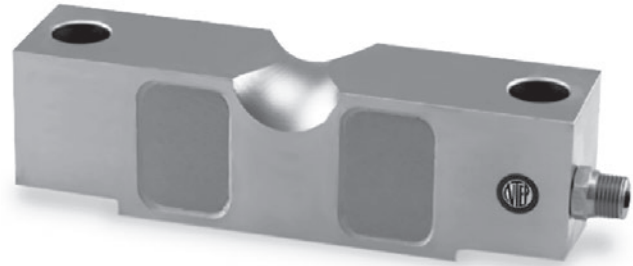
VPG® SENSORTRONICS

65058A page 329

Weigh Module Available

RICE LAKE WEIGHING SYSTEMS

MVS page 106



APPROVALS



Specifications

Full Scale Output:

3.0 mV/V

Output Resistance:

700 (± 5) ohm

Input Resistance:

770 (± 10) ohm

Material/Finish:

High-alloy steel, nickel plated

Temperature:

Compensated range
14°F to 104°F (-10° C to 40° C)
Operating range
0° F to 150° F (-18° C to 65° C)

Seal Type:

Environmentally sealed, IP67

Safe Overload:

150% full scale

Safe Sideload:

100% full scale

Rated Excitation:

5-10 VDC (15 V maximum)

Combined Error:

0.025% full scale

Insulation Resistance:

5,000 megohms

Cable Length:

35 ft

Cable Diameter:

20,000-25,000 lb=0.200 in
40,000-125,000 lb=0.305 in
polyurethane jacket

Cable Color Code:

Red +Excitation
Black -Excitation
Green +Signal
White -Signal

Warranty:

One-year limited warranty

Approvals:

cFMus
NTEP

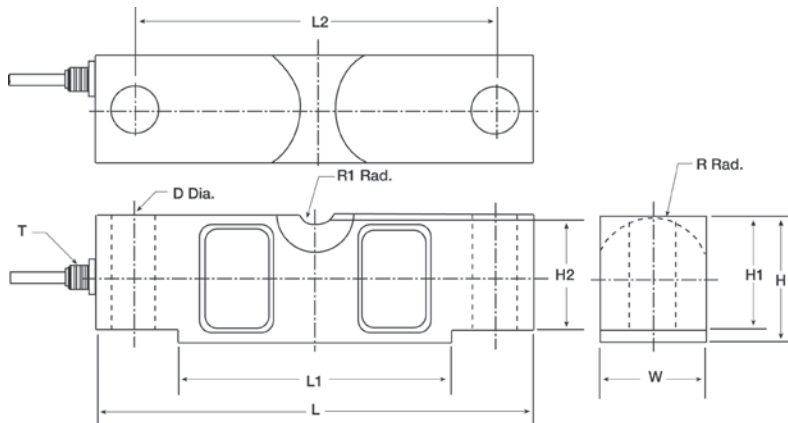
Dimensions

Picture is a representation of actual product

Rated Capacity	L	L1	L2	W	H	H1	H2	D	R	R1	T
lb/in											
20,000-25,000	7.75	4.99	6.50	1.69	1.94	1.70	1.63	0.68	0.90	0.75	1/4-18 NPT
40,000	10.25	6.39	8.50	1.94	2.44	2.10	2.00	0.81	1.12	1.00	1/4-18 NPT
50,000-75,000	10.25	6.39	8.50	2.44	2.94	2.65	2.54	1.06	1.37	1.00	1/2-14 NPT
125,000	15.25	8.99	12.75	2.90	3.86	2.43	3.30	1.62	1.80	1.50	1/2-14 NPT

Order Information

Load Rating	Part #	Est. Weight	Price
20,000 lb	46675	8 lb	\$646.00
25,000 lb	46676	8 lb	\$662.00
40,000 lb	46677	13 lb	\$790.00
50,000 lb	46678	19 lb	\$858.00
60,000 lb	46679	19 lb	\$858.00
75,000 lb	46680	19 lb	\$858.00
125,000 lb	46682	40 lb	\$1,563.00





APPROVALS



Interchangeable Products

- RICE LAKE WEIGHING SYSTEMS
RL1521A.....page 191
 VPG® TEDEA-HUNTLEIGH
1022 page 346
 VPG® BLH
C2G1.....—
 NMB®
C2G1.....—

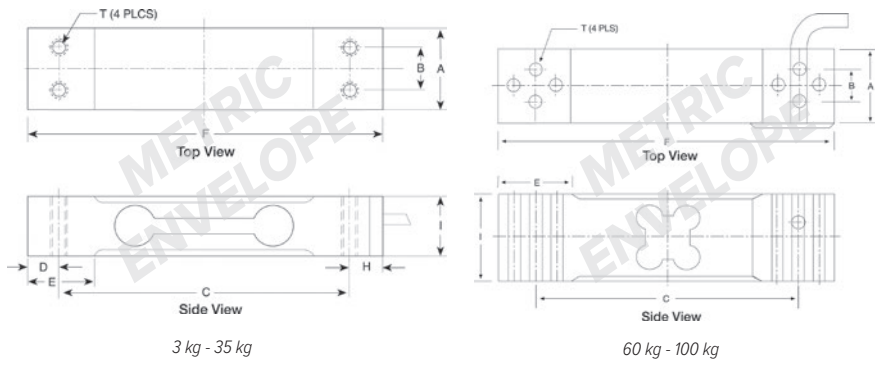
Dimensions

Picture is a representation of actual product

Rated Capacity	A	B	C	D	E	F	H	I	T
kg/mm									
3	15.0	7.0	58.0	6.0	12.0	70.0	6.0	22.0	M3 × 0.5
6-20	30.0	15.0	106.0	12.0	25.0	130.0	12.0	22.0	M6 × 1.0
30-35	40.0	15.0	106.0	12.0	25.0	130.0	12.0	22.0	M6 × 1.0
60-100	35.0	15.0	117.0	-	-	150.0	-	40.0	M6 × 1.0

Order Information

Load Rating	Part #	Est. Weight	Price
NTEP Certified			
3 kg	41822	1lb	\$138.00
6 kg	41823	1lb	\$138.00
10 kg	41824	1lb	\$138.00
15 kg	41825	1lb	\$138.00
20 kg	41826	1lb	\$138.00
Non-NTEP Certified			
10 kg	30145	1lb	\$127.00
15 kg	30146	1lb	\$127.00
20 kg	30147	1lb	\$127.00
30 kg	46502	1lb	\$127.00
35 kg	30148	1lb	\$127.00
60 kg	41149	2 lb	\$127.00
100 kg	41150	2 lb	\$127.00



Specifications

- Full Scale Output:**
2.0 mV/V
- Output Resistance:**
350 (± 3) ohm
- Input Resistance:**
410 (± 15) ohm
- Material/Finish:**
Aluminum
- Temperature:**
Compensated range
14°F to 104°F (-10°C to 40°C)
Operating range
0° F to 150° F (-18° C to 65° C)
- Seal Type:**
Environmentally sealed, IP65
- Safe Overload:**
150% full scale
- Rated Excitation:**
5-10 VDC (15 V maximum)
- Combined Error:**
0.25% full scale
- Non-Repeatability:**
0.02%
- Insulation Resistance:**
5,000 megohms
- Cable Length:**
3-35 kg=16.5 in
60 kg=14 in
100 kg=6.5 ft
- Cable Diameter:**
0.14 in PVC jacket
- Cable Color Code:**
Red +Excitation
Black - Excitation
Green +Signal
White -Signal
- Max Platform Size:**
13.75 in × 13.75 in
- Warranty:**
One-year limited warranty
- Approvals:**
cFMus
NTEP

LOC Heavy Capacity

Aluminum, Heavy Capacity, Environmentally Sealed, NTEP Certified 1:5,000 Class III Single Cell, IP65

Specifications

Full Scale Output:

2.0 mV/V

Output Resistance:

350 (± 3) ohm

Input Resistance:

410 (± 10) ohm

Material/Finish:

Aluminum

Temperature:

Compensated range
14°F to 104°F (-10°C to 40°C)
Operating range
0° F to 150° F (-18° C to 65° C)

Seal Type:

Environmentally sealed, IP65

Safe Overload:

150% full scale

Rated Excitation:

5- 10 VDC (15 V maximum)

Combined Error:

0.025% full scale

Non-Repeatability:

0.02% full scale

Insulation Resistance:

5,000 megohms

Cable Length:

3 m

Cable Diameter:

0.200 in PVC jacket

Cable Color Code:

Red +Excitation
Black -Excitation
Green +Signal
White -Signal

Max Platform Size:

24 in \times 24 in

Warranty:

One-year limited warranty

Approvals:

cFMus
NTEP

APPROVALS



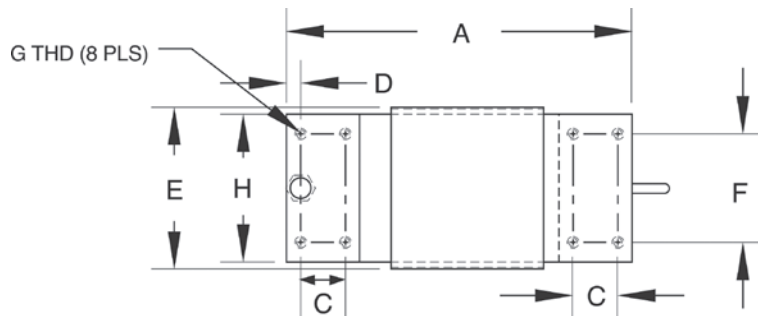
Dimensions

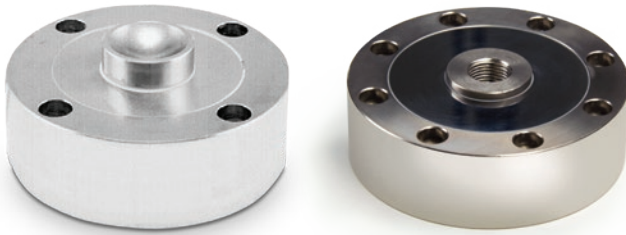
Picture is a representation of actual product

Rated Capacity	A	C	D	E	F	G	H
kg/mm							
100-500	191.0	25.0	11.0	82.0	60.0	5/16-18 UNC \times 20 DP	75.0

Order Information

Load Rating	Part #	Est. Weight	Price
100 kg	39797	7lb	\$313.00
150 kg	39796	7lb	\$313.00
250 kg	39795	7lb	\$313.00
300 kg	39794	7lb	\$313.00
500 kg	39793	7lb	\$313.00





25,000 lb - 100,000 lb

5,000 lb - 10,000 lb

APPROVALS



Dimensions

Picture is a representation of actual product

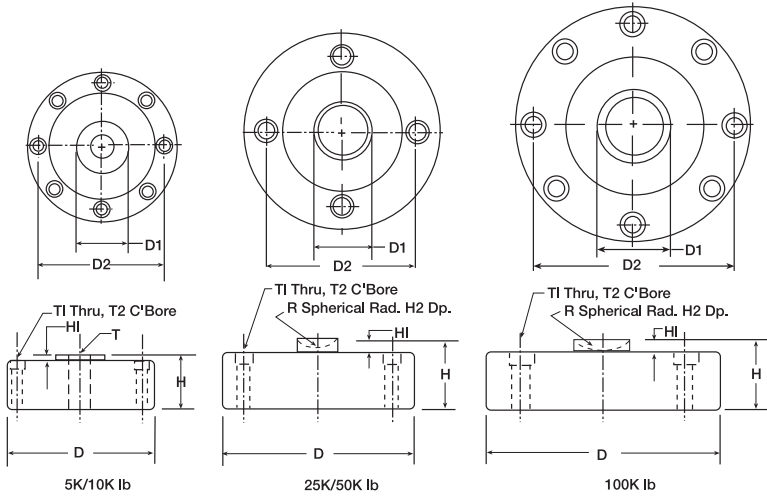
Rated Capacity	T	R	D	D2	H	H1	H2	T1	T2
5,000*-10,000*	5/8-18 UNF	—	4.12	3.50	1.37	0.12	—	0.28	0.406 × 0.283 DP
25,000-50,000	—	0.875	4.75	4.00	2.12	0.50	0.31	0.34	0.508 × 0.38 DP
100,000	—	0.875	5.43	4.60	2.25	0.25	0.31	0.41	0.626 × 0.4 DP

Order Information

Load Rating	Part #	Est. Weight	Price
5,000 lb*	41966	6 lb	\$636.00
10,000 lb*	41967	6 lb	\$636.00
25,000 lb	41968	9 lb	\$822.00
50,000 lb	41969	9 lb	\$822.00
100,000 lb	41970	12 lb	\$975.00
Options			
Ball 1.25 in diameter	65841	1 lb	\$37.00
Load cup**	33616	1 lb	\$37.00

* 5,000lb and 10,000lb models can be used in compression and tension load applications

** Load cup, PN 33616, is required for compression applications on 5,000lb and 10,000lb capacity load cells and is sold separately



Interchangeable Products

RICE LAKE WEIGHING SYSTEMS

RL90000 page 184

Specifications

Full Scale Output:

4.0 mV/V

Output Resistance:

5,000-50,000 lb=350 (± 3) ohm
100,000 lb=700 (± 5) ohm

Input Resistance:

5,000-50,000 lb=385 (± 5) ohm
100,000 lb=770 (± 70) ohm

Material/Finish:

High-alloy steel, nickel plated

Temperature:

Operating range
0° F to 150° F (-18° C to 65° C)

Seal Type:

Environmentally sealed, IP67

Safe Overload:

150% full scale

Rated Excitation:

15 VDC (15 V maximum)

Nonlinearity:

0.05% full scale

Hysteresis:

0.02% full scale

Insulation Resistance:

2,000 megohms

Cable Length:

50 ft

Cable Diameter:

5,000-25,000 lb=0.200 in
50,000-100,000 lb=0.305 in
polyurethane jacket

Cable Color Code:

Red +Excitation
Black -Excitation
Green +Signal
White -Signal

Warranty:

One-year limited warranty

Approvals:

cFMus

Page 240

UB1, STAINLESS STEEL



The UB1 stainless steel s-beam is designed for single or multiple-cell tension load applications. Millivolt/volt/ohm factory calibration assures matched outputs for easy calibration in multiple-cell applications. It features true hermetic sealing of both the strain gauge area and cable entry, providing the ultimate in protection from outside elements. 20 ft of field-replaceable cable is included to simplify cable and load cell repairs. Capacities range from 10 kN to 50 kN.



Page 241

UB6, STAINLESS STEEL



The UB6 stainless steel s-beam is designed to meet the most stringent accuracy requirements. 20 ft of field-replaceable cable is included to simplify cable and load cell repairs. Capacities range from 1 kN to 5 kN.



SINGLE-ENDED BEAMS

Page 242

SLB, STAINLESS STEEL



This stainless steel, single-ended beam has one of the highest NTEP Certified ratings in the industry. A new generation of potting makes this load cell suitable for tough industrial environments. Capacities range from 200 lb to 5,000 lb. Complete with 10 ft of load cell cable.



Page 243

SB4, STAINLESS STEEL



The SB4 stainless steel, single-ended beam is designed for multiple-cell applications such as floor scales and tank, bin and hopper weighing systems. It is used exclusively in Rice Lake Weighing Systems' Paramounts® HS mounting systems. Millivolt/volt/ohm factory calibration assures matched outputs for easy calibration. It features true hermetic sealing of both the strain gauge area and cable entry, providing the ultimate in protection from outside elements. Includes field-replaceable load cell cable to simplify cable and load cell repairs. Available in both NTEP Certified and Non-NTEP Certified ranges 5 kN to 100 kN.



Page 244

SB5, STAINLESS STEEL



The SB5 stainless steel single-ended beam is designed for multiple-cell applications such as floor scales and tank, bin and hopper weighing systems. It is used exclusively in Rice Lake Weighing Systems' Paramounts® EP mounting systems. Millivolt/volt/ohm factory calibration assures matched outputs for easy calibration. Available in both NTEP Certified and Non-NTEP Certified ranges 5 kN to 100 kN.



Page 245

BK2, STAINLESS STEEL



The BK2 is the latest offering from one of the premier suppliers of quality load cells in the world. This new model was designed to lower the scale profile by providing a load cell that is half the overall height of traditional solutions. Ideal for applications such as low-profile floor scales, this model is constructed of stainless steel and has been environmentally potted to provide suitable protection for indoor applications. In addition, the standard calibration technique used by Flintec® avoids time-consuming calibration for multiple load cell applications. The BK2 is available in capacities from 200 kg to 2,000 kg and includes 10 ft of standard load cell cable.



Page 246

SB6, STAINLESS STEEL



The SB6 load cell is a stainless steel, fully hermetically sealed, single-ended beam suitable for the harshest environments. The special loading hole provides an excellent price-to-performance ratio, and also allows a very low-profile design. Capacities range from 0.2 kN to 2 kN. Complete with 10 ft of load cell cable.



SINGLE-ENDED BEAMS

Page 247

SB10, STAINLESS STEEL



The SB10 load cell is used in the 2.3 kN Paramounts® assemblies. This stainless steel, hermetically sealed load cell provides full IP68 sealing protection for the harshest environments. Ideal for use in multiple-cell floor scale, tank and hopper applications. The unique millivolt/volt/ohm factory calibration assures matched outputs for easy field replacement and calibrations. The capacity of this model is 2.5 kN. Each unit is supplied with 10 ft of load cell cable.



Page 248

SB14, STAINLESS STEEL



The SB14 load cell is a stainless steel, fully hermetically sealed, single-ended beam suitable for the harshest environments. Capacities range from 500 lb to 5,000 lb. Complete with 10 ft of load cell cable.



ROCKER COLUMNS

Page 249

RC1, STAINLESS STEEL



The RC1 load cell offers stainless steel and real hermetic sealing, making these cells suitable for use in tough industrial environments. Capacities are 250 kN and 400 kN and 50,000 lb. Cable lengths vary from 35 ft to 60 ft for easy field replacement and load cell repairs.



Page 250

RC3, STAINLESS STEEL



The RC3 is a stainless steel, hermetically sealed load cell. This rocker design provides superior performance and full hermetic design in applications where moisture and high humidity are problems. Available in capacities from 7.5t to 50t.



SINGLE POINTS

Page 251

PCB, STAINLESS STEEL



The PCB is the first full stainless steel, hermetically sealed "brick" type of load cell on the market. This unique design provides superior protection in applications where moisture and high humidity are problems. This model features both a welded gauge cavity area, and waterproof cable entry for long-lasting performance in almost any platform scale application. Interchangeable with the industry's most popular designs, this model provides the ability to upgrade applications. Available in capacities from 50kg to 1,000kg. Each unit includes 10ft of load cell cable.



Page 252

PC1, STAINLESS STEEL



PC1 load cells offer stainless steel and an environmentally protected seal, making these cells suitable for use in tough industrial environments. Capacities range from 10 kg to 200 kg.



Flintec

SINGLE POINTS

Page 253

PC3, STAINLESS STEEL



The Flintec® PC3 is a stainless steel, single point load cell. Ideal for harsh environments, the PC3 has an IP67 rating and is environmentally sealed. Capacities range from 7 kg to 150 kg. Complete with 10 ft of load cell cable.



Page 254

PC4, STAINLESS STEEL



The Flintec® PC4 stainless steel single point is a hermetic load cell that is a great choice for adverse conditions. Capacities from 10 kg to 100 kg are NTEP Certified and OIML approved. Complete with 10ft of cable.



Page 255

PC6, STAINLESS STEEL



The PC6 load cells offer stainless steel and real hermetic sealing, making these cells suitable for use in tough industrial environments. Includes 3 m of field-replaceable load cell cable to simplify cable and load cell repairs. Capacities range from 20kg to 200kg.



Page 256

PC7, STAINLESS STEEL



The stainless steel, hermetically sealed PC7 is ideal for washdown applications. Sealed to IP69K standards, the PC7 comes with 3 m of cable and an integrated mounting spacer, making installation easy.



Page 257

PC2, STAINLESS STEEL



This high-accuracy stainless steel, single-point load cell is an ideal replacement cell for hopper applications where damaged bellows are a problem. This cell also features complete hermetic sealing for use in the toughest environments. This product is offered at 150 kg and comes complete with 10ft of load cell cable.



PLANAR BEAM

Page 258

PB, ALUMINUM

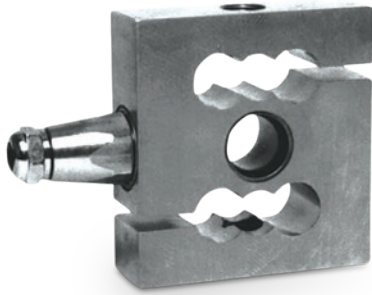


The Flintec® PB planar beam is an inexpensive alternative for use in low profile, light capacity applications. The compact size and mV/V per ohm calibration simplifies installation. Capacities range from 15 kg to 150 kg and includes 1.5 m of load cell cable.



UB1

Stainless Steel, Hermetically Sealed, OIML C3, IP69K



Picture is a representation of actual product.

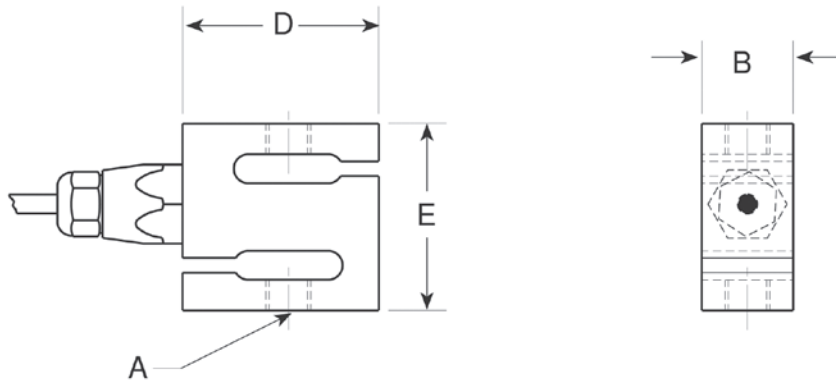
Dimensions

Rated Capacity kN/in	A*	B	D	E
10-20	5/8-18 UNF	1.18	3.38	3.62
50	1-12 UNF	1.69	5.62	5.37

*Also available with metric threads

Order Information

Load Rating	Part #	Est. Weight	Price
10 kN	17073	4 lb	\$747.00
20 kN	17074	4 lb	\$747.00
50 kN	17075	13 lb	\$747.00
Options			
Conduit adapter, 1/2-14 NPT	17703	1 lb	\$50.00



Specifications

Full Scale Output:

2.0 mV/V

Matched outputs via mV/V/ohm calibration

Output Resistance:

1,000 (± 2) ohm

Input Resistance:

1,100 (± 50) ohm

Material/Finish:

Stainless steel

Temperature:

Operating range

0° F to 150° F (-18° C to 65° C)

Seal Type:

Hermetically sealed, IP69K

Safe Overload:

200% full scale

Rated Excitation:

5-10 VDC (15 V maximum)

Nonlinearity:

0 to -0.03% full scale

Hysteresis:

0 to +0.05% full scale

Combined Error:

± 0.03%

Insulation Resistance:

10,000 megohms

Cable Length:

20 ft

Cable Diameter:

0.196 in polyurethane jacket

Cable Color Code:

Green +Excitation

Black -Excitation

White +Signal

Red -Signal

Yellow Shield

Warranty:

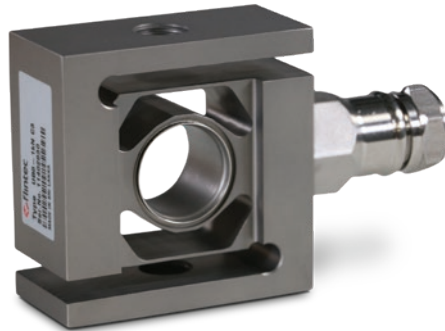
One-year limited warranty

Approvals:

FM

OIML





Picture is a representation of actual product.

Specifications

- Full Scale Output:**
2.0 mV/V
Matched outputs via mV/V/ohm calibration
- Output Resistance:**
1,000 (± 2) ohm
- Input Resistance:**
1,100 (± 50) ohm
- Material/Finish:**
Stainless steel
- Temperature:**
Operating range
0° F to 150° F (-18° C to 65° C)
- Seal Type:**
Hermetically sealed, IP69K
- Safe Overload:**
200% full scale
- Rated Excitation:**
5-10 VDC (15 V maximum)
- Combined Error:**
0.02% full scale
- Insulation Resistance:**
5,000 megohms
- Cable Length:**
20 ft
- Cable Diameter:**
0.196 in polyurethane jacket
- Cable Color Code:**
Green +Excitation
Black -Excitation
White +Signal
Red -Signal
Yellow Shield
- Warranty:**
One-year limited warranty
- Approvals:**
FM
OIML



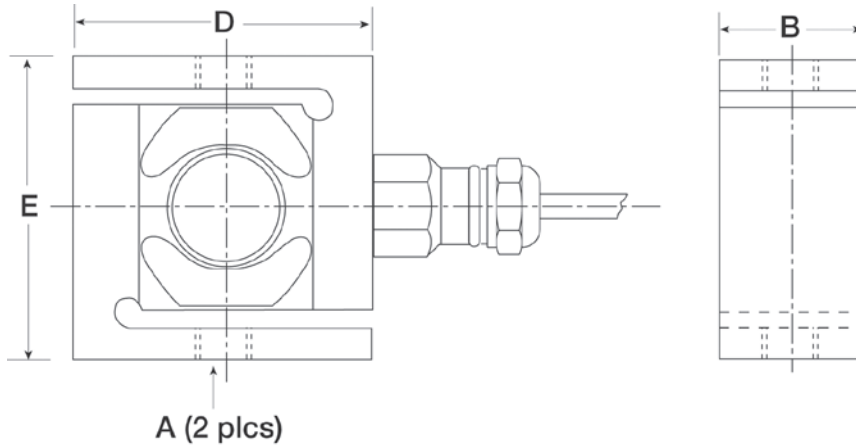
Order Information

Load Rating	Part #	Est. Weight	Price
1 kN	36214	3 lb	\$640.00
2 kN	36215	3 lb	\$640.00
5 kN	36216	3 lb	\$640.00

Dimensions

Rated Capacity kN/in	A*	B	D	E
1-5	1/2-20 UNF	1.20	2.42	2.42

*Also available with metric threads



SINGLE-ENDED BEAM

SLB

Stainless Steel, Environmentally Sealed, NTEP Certified 1:4,000 Class III Single Cell/1:7,500 Class III Multiple Cell, OIML C3, IP67

FLINTEC



Picture is a representation of actual product.

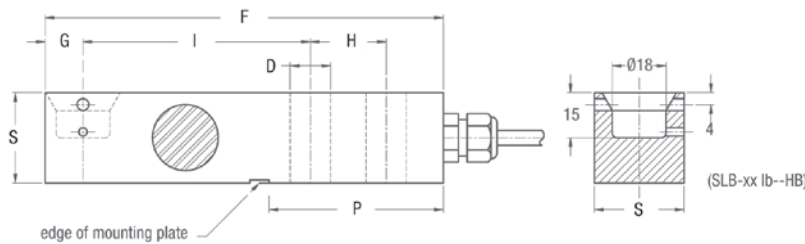
Dimensions

Rated Capacity lb/in	D	F	G	H	I	P	S
200-5,000	0.51	5.37	0.50	1.00	3.00	2.42	1.19

Order Information: Blind Hole

Load Rating	Part#	Est. Weight	Price
200 lb	77422	3 lb	\$350.00
500 lb	77423	3 lb	\$350.00
1,000 lb	68527	3 lb	\$350.00
2,500 lb	68528	3 lb	\$350.00
5,000 lb	68529	3 lb	\$350.00

Threaded version obsolete



Interchangeable Products

FAIRBANKS**

LCF-HR4050-3.....-

*Stainless overbraided cable

Specifications

Full Scale Output:

2.0 mV/V

Output Resistance:

1,000 (± 2) ohm

Input Resistance:

1,100 (± 50) ohm

Material/Finish:

Stainless steel

Temperature:

Compensated range
14°F to 104°F (-10°C to 40°C)

Operating range
0° F to 150° F (-18° C to 65° C)

Seal Type:

Environmentally sealed, IP67

Safe Overload:

200% full scale

Safe Sideload:

100% full scale

Rated Excitation:

5-10 VDC (15 V maximum)

Insulation Resistance:

5,000 megohms

Combined Error:

0.01% full scale

Cable Length:

10 ft

Cable Diameter:

0.196 in polyurethane jacket

Cable Color Code:

Green +Excitation
Black -Excitation
White +Signal
Red -Signal
Yellow Shield

Warranty:

One-year limited warranty

Approvals:

FM
NTEP
OIML



www.ricelake.com | Phone: 800-472-6703



Weigh Module Available

RICE LAKE WEIGHING SYSTEMS

Paramounts® HE..... page 40

RICE LAKE WEIGHING SYSTEMS

Paramounts® HS..... page 58

Specifications

Full Scale Output:

2.0 mV/V ± 0.07%
Matched outputs via mV/V/ohm calibration

Output Resistance:

1,000 (± 2) ohm

Input Resistance:

1,100 (± 50) ohm

Material/Finish:

Stainless steel

Temperature:

Compensated range
14°F to 104°F (-10°C to 40°C)
Operating range
0° F to 150° F (-18° C to 65° C)

Seal Type:

Hermetically sealed, IP69K

Safe Overload:

200% full scale

Safe Sideload:

100% full scale

Rated Excitation:

5-10 VDC (15 V maximum)

Combined Error:

± 0.03% full scale

Insulation Resistance:

10,000 megohms

Deflection at Capacity:

10 kN=0.012 in
23 kN=0.02 in
50 kN=0.012 in
100 kN=0.016 in

Cable Length:

5-23 kN=10 ft
50-100 kN=15 ft
Also available in 30 ft.

Cable Diameter:

0.196 in polyurethane jacket

Cable Color Code:

Green +Excitation
Black -Excitation
White +Signal
Red -Signal
Yellow Shield

Warranty:

One-year limited warranty

Approvals:

FM
NTEP
OIML



Picture is a representation of actual product.

Dimensions

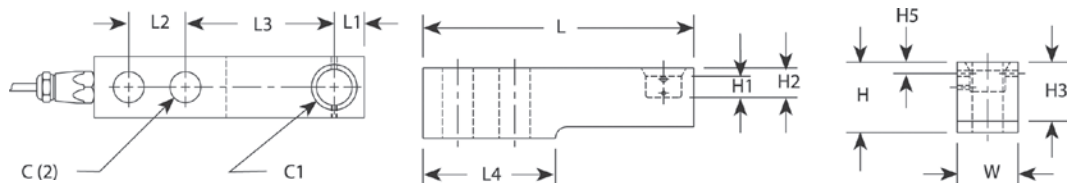
Rated Capacity	C	C1	H	H1	H2	H3	H5	L	L1	L2	L3	L4	W
kN/in													
5-23	0.53	0.71	1.42	0.39	0.59	1.19	0.16	6.10	0.59	1.38	3.15	2.98	1.18
50	0.85	0.98	1.93	0.58	0.81	1.62	0.31	7.48	0.83	1.57	4.13	3.66	1.69
100	1.06	1.18	2.87	0.82	1.21	2.43	—	9.65	1.19	1.97	5.31	4.72	2.36

Order Information

Load Rating	Part #	Est. Weight	Price
NTEP Certified/OIML			
5 kN	26662	4 lb	\$715.00
10 kN	26663	4 lb	\$715.00
23 kN	26664	4 lb	\$715.00
50 kN	26665	7 lb	\$795.00
Non-NTEP Certified/Non-OIML			
5 kN	17390	4 lb	\$652.00
10 kN	17391	4 lb	\$652.00
23 kN	17392	4 lb	\$652.00
50 kN	17393	7 lb	\$715.00
100 kN	17394	17 lb	\$970.00
Options			
Conduit adapter, 1/2-14 NPT	17703	1 lb	\$50.00

30 ft Cables

Load Rating	Part #	Est. Weight	Price
NTEP Certified/OIML			
5 kN	100164	4 lb	\$821.00
10 kN	100165	4 lb	\$821.00
23 kN	100166	4 lb	\$821.00
50 kN	100167	7 lb	\$970.00
Non-NTEP Certified/Non-OIML			
5 kN	100169	4 lb	\$747.00
10 kN	100170	4 lb	\$747.00
23 kN	100171	4 lb	\$747.00
50 kN	100173	7 lb	\$832.00
100 kN	100168	17 lb	\$1,033.00



SB5

Stainless Steel, Environmentally Sealed, NTEP Certified 1:5,000 Class III Multiple Cell, OIML C3, IP67



Picture is a representation of actual product

Dimensions

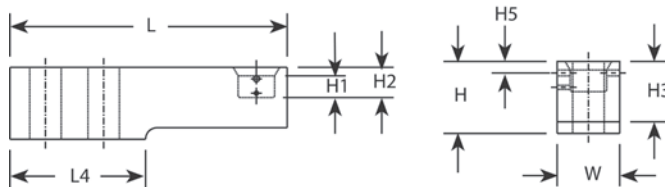
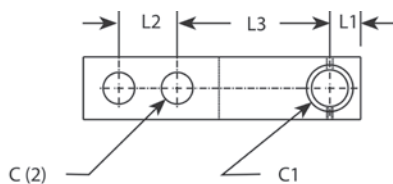
Rated Capacity	C	C1	H	H1	H2	H3	H5	L	L1	L2	L3	L4	W
kN/in													
5-20	0.53	0.71	1.42	0.39	0.59	1.19	0.16	6.10	0.59	1.38	3.15	2.98	1.18
50	0.85	0.98	1.93	0.58	0.81	1.62	0.31	7.48	0.83	1.57	4.13	3.66	1.69
100	1.06	1.18	2.87	0.82	1.21	2.43	—	9.65	1.19	1.97	5.31	4.72	2.36

Order Information

Load Rating	Part #	Est. Weight	Price
NTEP Certified/OIML			
5 kN	33387	3 lb	\$430.00
10 kN	33388	3 lb	\$430.00
20 kN	33389	3 lb	\$430.00
50 kN	33390	7 lb	\$560.00
Non-NTEP Certified/Non-OIML			
100 kN	33391	16 lb	\$853.00

30 ft Cables

Load Rating	Part #	Est. Weight	Price
NTEP Certified/OIML			
5 kN	100174	5 lb	\$487.00
10 kN	100175	5 lb	\$487.00
20 kN	100176	5 lb	\$487.00
50 kN	100177	7 lb	\$720.00
Non-NTEP Certified/Non-OIML			
100 kN	100178	16 lb	\$932.00



Weigh Module Available

RICE LAKE WEIGHING SYSTEMS

Paramounts® EP..... page 56

Specifications

Full Scale Output:

2.0 mV/V ± 0.07%
Matched outputs via mV/V/ohm calibration

Output Resistance:

1,000 (± 2) ohm

Input Resistance:

1,100 (± 50) ohm

Material/Finish:

Stainless steel

Temperature:

Compensated range
14°F to 104°F (-10°C to 40°C)
Operating range
0° F to 150° F (-18° C to 65° C)

Seal Type:

Environmentally sealed, IP67

Safe Overload:

200% full scale

Safe Sideload:

100% full scale

Rated Excitation:

5-10 VDC (15 V maximum)

Combined Error:

± 0.03% full scale

Insulation Resistance:

10,000 megohms

Deflection at Capacity:

5 kN=0.008 in
10 kN=0.012 in
20 kN=0.02 in
50 kN=0.012 in

Cable Length:

5-20 kN=10 ft
50-100 kN=15 ft
Also available in 30 ft

Cable Diameter:

0.196 in polyurethane jacket

Cable Color Code:

Green +Excitation
Black -Excitation
White +Signal
Red -Signal
Yellow Shield

Warranty:

One-year limited warranty

Approvals:

FM
NTEP
OIML



Stainless Steel, Environmentally Sealed, NTEP Certified 1:5,000 Class III Multiple Cell, IP67

Specifications

Full Scale Output:

2.0 ± 0.002

Matched outputs via mV/V/ohm calibration

Output Resistance:

1,000 (± 2) ohm

Input Resistance:

1,100 (± 50) ohm

Material/Finish:

Stainless steel

Temperature:

Compensated range

14° F to 104° F (-10° C to 40° C)

Operating range

0° F to 150° F (-18° C to 65° C)

Seal Type:

Environmentally sealed, IP67

Safe Overload:

200% full scale

Safe Sideload:

100% full scale

Rated Excitation:

5-10 VAC/DC (15 V maximum)

Combined Error:

0.030% full scale

Insulation Resistance:

5,000 megohms

Cable Length:

10 ft

Also available in 30 ft

Cable Diameter:

0.196 in polyurethane jacket

Cable Color Code:

Green +Excitation

Black -Excitation

White +Signal

Red -Signal

Yellow Shield

Warranty:

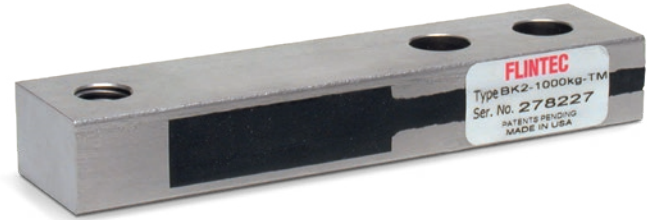
One-year limited warranty

Approvals:

NTEP

EX

OIML (Available upon request)

Available
upon
request

Picture is a representation of actual product.

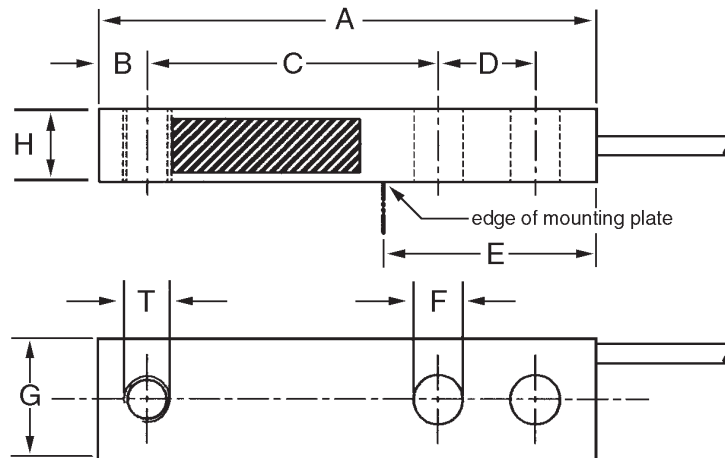
Dimensions

Rated Capacity	A	B	C	D	E	F	G	H	T*
kg/mm									
200	128.5	12.7	76.2	25.4	53.8	13(2x)	31.8	16.1	1/2-20 UNF
500	128.5	12.7	76.2	25.4	53.8	13(2x)	31.8	16.1	1/2-20 UNF
1,000	128.5	12.7	76.2	25.4	53.8	13(2x)	31.8	19.1	1/2-20 UNF
2,000	130.2	12.7	76.2	25.4	53.8	13(2x)	31.8	25.4	1/2-20 UNF

*Metric thread is available

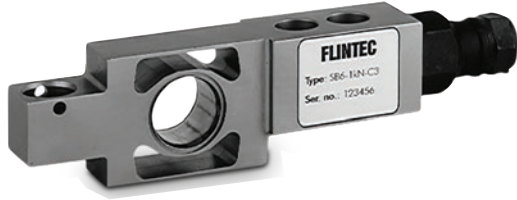
Order Information

Load Rating	Part #	Est. Weight	Price
NTEP Certified			
500 kg	84839	2 lb	\$243.00
1,000 kg	84840	2 lb	\$243.00
2,000 kg	84841	2 lb	\$243.00
Non-NTEP Certified			
200 kg	84838	2 lb	\$243.00



SB6

Stainless Steel, Hermetically Sealed, OIML C3, IP68



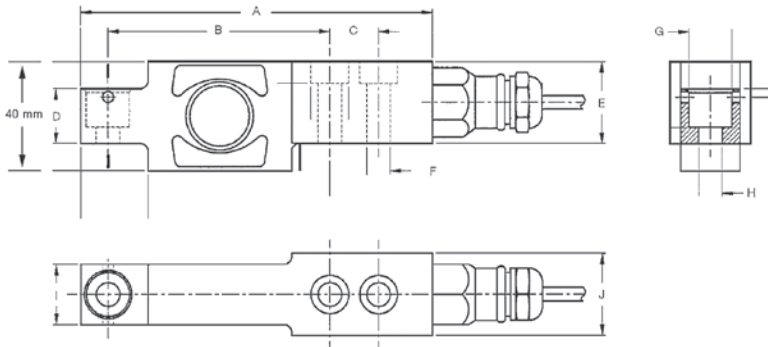
Picture is a representation of actual product.

Dimensions

Rated Capacity	A	B	C	D	E	F	G	H	I	J
kN/mm										
0.2-2	130.0	82.0	18.0	20.0	30.0	8.7	16.0	8.7	22.0	30.0

Order Information

Load Rating	Part #	Est. Weight	Price
0.2 kN	41163	3 lb	\$556.00
0.5 kN	41164	3 lb	\$556.00
1 kN	41165	3 lb	\$556.00
2 kN	41166	3 lb	\$556.00



Specifications

- Full Scale Output:**
2.0 mV/V
- Output Resistance:**
1,000 (± 2) ohm
- Input Resistance:**
1,100 (± 50) ohm
- Material/Finish:**
Stainless steel
- Temperature:**
Operating range
0° F to 150° F (-18° C to 65° C)
- Seal Type:**
Hermetically sealed, IP68
- Safe Overload:**
200% full scale
- Safe Sideload:**
100% full scale
- Rated Excitation:**
5-10 VDC (15 V maximum)
- Combined Error:**
0.01% full scale
- Insulation Resistance:**
5,000 megohms
- Cable Length:**
10 ft
- Cable Diameter:**
0.196 in polyurethane jacket
- Cable Color Code:**
Green +Excitation
Black -Excitation
White +Signal
Red -Signal
Yellow Shield
- Warranty:**
One-year limited warranty
- Approvals:**
FM
OIML



Weigh Module Available

RICE LAKE WEIGHING SYSTEMS

Paramounts® HE..... page 40

RICE LAKE WEIGHING SYSTEMS

Paramounts® HS..... page 58**Specifications****Full Scale Output:**

2.0 mV/V

Output Resistance:

1,000 (± 2) ohm

Input Resistance:

1,100 (± 50) ohm

Material/Finish:

Stainless steel

Temperature:Operating range
0° F to 150° F (-18° C to 65° C)**Seal Type:**

Hermetically sealed, IP69K

Safe Overload:

200% full scale

Safe Sideload:

100% full scale

Rated Excitation:

5-10 VDC (15 V maximum)

Nonlinearity:

0 to -0.03% full scale

Hysteresis:

0 to +0.05% full scale

Insulation Resistance:

10,000 megohms

Deflection at Capacity:

0.008 in

Cable Length:

10 ft

Cable Diameter:

0.196 in polyurethane jacket

Cable Color Code:Green +Excitation
Black -Excitation
White +Signal
Red -Signal
Yellow Shield**Warranty:**

One-year limited warranty

Approvals:

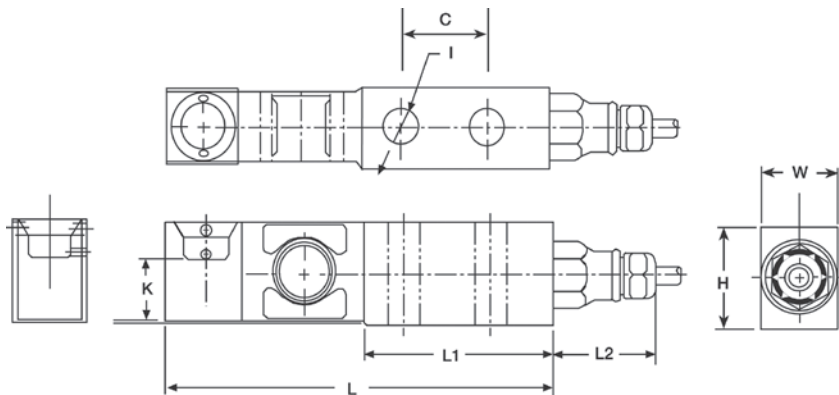
OIML

*Picture is a representation of actual product.***Dimensions**

Rated Capacity	L	L1	L2	H	W	I	K	C
kN/in								
2.3	6.10	2.98	1.60	1.58	0.59	0.54	0.99	1.39

Order Information

Load Rating	Part #	Est. Weight	Price
2.3 kN	38215	4 lb	\$1,075.00
Options			
Conduit adapter, 1/2-14 NPT	17703	1 lb	\$50.00



SB14

Stainless Steel, Hermetically Sealed, NTEP Certified 1:5,000 Class III Multiple Cell, IP69K



Picture is a representation of actual product.

Dimensions

Rated Capacity lb/in	A	B	C	D	E	F	G	H	I	J
500-5,000	5.25	3.00	1.00	0.50	1.18	2.35	1.61	0.59	1/2-20 UNF	1.22

Order Information-CU Version*

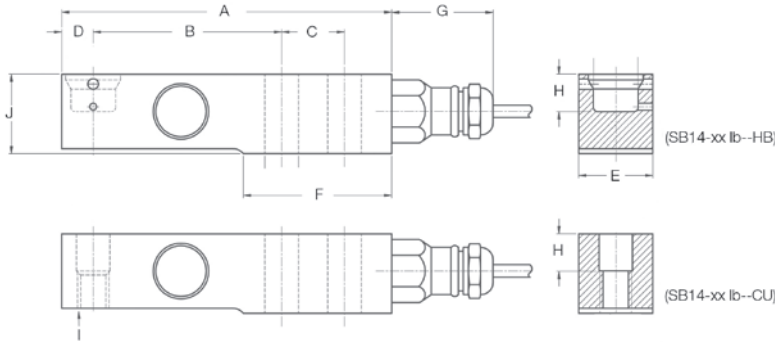
Load Rating	Part#	Est. Weight	Price
500 lb	41167	3 lb	\$493.00
1,000 lb	41168	3 lb	\$493.00
2,500 lb	41169	3 lb	\$493.00
5,000 lb	41170	3 lb	\$493.00

*CU versions have a counterbore/unified thread 1/2-20UNF

Order Information-HB Version**

Load Rating	Part#	Est. Weight	Price
500 lb	119556	3 lb	\$493.00
1,000 lb	119557	3 lb	\$493.00
2,500 lb	119558	3 lb	\$493.00
5,000 lb	119559	3 lb	\$493.00

**HB versions have a blind load hole



Interchangeable Products

FAIRBANKS®
LCF-HR4060-XX.....-

Specifications

- Full Scale Output:**
2.0 mV/V
- Output Resistance:**
1,000 (± 2) ohm
- Input Resistance:**
1,100 (± 50) ohm
- Material/Finish:**
Stainless steel
- Temperature:**
Compensated range
14°F to 104°F (-10°C to 40°C)
Operating range
0° F to 150° F (-18° C to 65° C)
- Seal Type:**
Hermetically sealed, IP69K
- Safe Overload:**
200% full scale
- Safe Sideload:**
100% full scale
- Rated Excitation:**
5-10 VDC (15 V maximum)
- Insulation Resistance:**
5,000 megohms
- Combined Error:**
± 0.03% full scale
- Cable Length:**
10 ft
- Cable Diameter:**
0.196 in polyurethane jacket
- Cable Color Code:**
Green +Excitation
Black -Excitation
White +Signal
Red -Signal
Yellow Shield
- Warranty:**
One-year limited warranty
- Approvals:**
FM
NTEP
OIML (Available upon request)



Available upon request



Stainless Steel, Hermetically Sealed, NTEP Certified 1:10,000 Multiple Cell, OIML C3, IP68

Interchangeable Products

FAIRBANKS®

63215.....LCF-HR4020-1

FAIRBANKS®

82052.....-**Specifications****Full Scale Output:**2.0 mV/V ± 0.07%
Matched outputs via mV/V/ohm calibration**Output Resistance:**351 (± 1) ohm
P/N 170734 1,000 (± 2) ohm**Input Resistance:**400 (± 15) ohm
P/N 170734 1,100 (± 50) ohm**Material/Finish:**

Stainless steel

Temperature:Compensated range
14°F to 104°F (-10°C to 40°C)
Operating range
0° F to 150° F (-18° C to 65° C)**Seal Type:**

Hermetically sealed, IP68

Safe Overload:

200% full scale

Safe Sideload:

100% full scale

Rated Excitation:

5-10 VDC (15 V maximum)

Combined Error:

± 0.02% full scale

Insulation Resistance:

5,000 megohms

Cable Length:250 kN=35 ft
400 kN=60 ft
50,000 lb=15 ft overbraid**Cable Diameter:**

0.196 in polyurethane jacket

Cable Color Code:Green +Excitation
Black -Excitation
White +Signal
Red -Signal
Yellow Shield**Warranty:**

One-year limited warranty

Approvals:FM
NTEP
OIML

Picture is a representation of actual product.

Dimensions

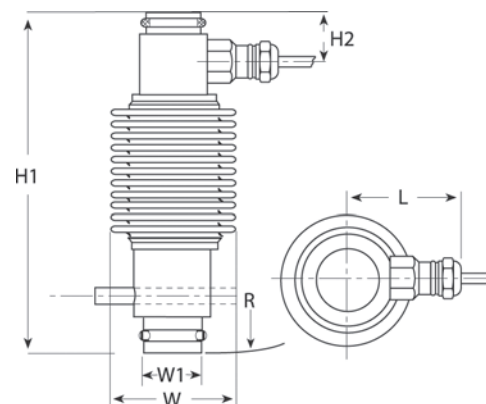
Rated Capacity	H1	H2	L	R	W	W1
kN/in						
250	7.56	1.22	2.44	10.98	2.83	1.46
400	8.86	1.34	2.72	14.02	3.35	1.46
50,000 lb	7.56	1.22	2.44	10.98	2.83	1.46

Order Information

Load Rating	Part #	Est. Weight	Price
250 kN*	36217	8 lb	\$858.00
400 kN	36218	10 lb	\$1,457.00
50,000 lb**	170734	8 lb	\$1,075.00
Accessories			
Conduit adapter, 1/2-14 NPT	17703	1 lb	\$50.00
Load cup**, upper (250 kN only)	71602	-	\$185.00
Load cup**, lower (250 kN only)	44290	-	\$181.00
Anti-rotation pin (zinc plated)	110816	-	\$3.00
Anti-rotation pin (stainless steel)	152649	-	\$10.00

*For Mettler-Toledo® digital to analog conversion: requires replacement of all system load cells, junction box, and instrumentation; consult factory. Kit on page 112.

**1,000ohm bridge



RC3

Stainless Steel, Hermetically Sealed, NTEP Certified 1:10,000 Class III Multiple Cell, OIML C3, IP69K



Picture is a representation of actual product.

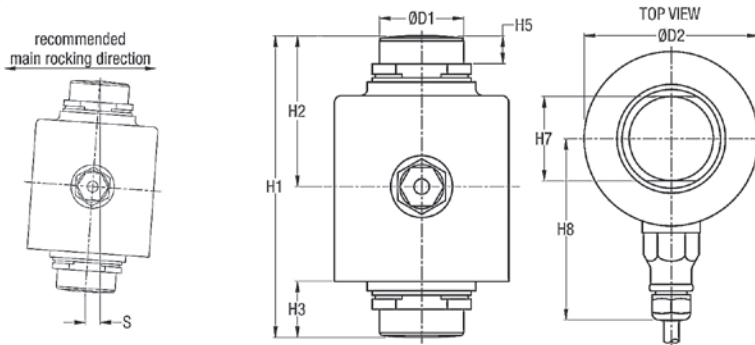
Dimensions

Rated Capacity	H1	H2	H3	H5	H7	H8	D1	D2
t/in								
7.5-22.5	3.50	1.73	0.67	0.43	1.10	2.95	1.10	2.56
30	5.51	2.76	1.20	0.51	1.55	3.31	1.55	3.19
40	5.91	2.95	1.22	0.51	1.55	3.31	1.55	3.19
50	7.01	3.50	1.26	0.67	1.73	3.71	1.73	3.90

Order Information

Load Rating	Part #	Est. Weight	Price
7.5t	168944	3 lb	\$795.00
15t	168946	3 lb	\$795.00
22.5t	168947	3 lb	\$795.00
30t	84203	7 lb	\$1,007.00
40t	84204	9 lb	\$1,007.00
50t	84205	10 lb	\$1,282.00
Options			
Upper cup (50t)	111365	5 lb	\$143.00
Lower cup (50t)	111366	5 lb	\$143.00
Upper cup (50t)	154107	5 lb	\$181.00
Lower cup (50t)	154106	5 lb	\$181.00

The kits for the RC3 cells are on page 113. Cups 111365 and 111366 are used in kits 129844 and 111367. Cups 154107 and 154106 are used in kits 154347, 154348 and 154349.



Interchangeable Products

FAIRBANKS®
30t LCFHR4020-2A..... 70510

Specifications

- Full Scale Output:** 2.0 mV/V
- Output Resistance:** 1,000 (± 2) ohm
- Input Resistance:** 1,150 (± 50) ohm
- Material/Finish:** Stainless steel
- Temperature:** Compensated range 14° F to 104° F (-10° C to 40° C)
Operating range 0° F to 150° F (-18° C to 65° C)
- Seal Type:** Hermetically sealed, IP69K
- Safe Overload:** 200% full scale
- Safe Sideload:** 200% full scale
- Rated Excitation:** 5-10 VDC (15 V maximum)
- Combined Error:** 0.02% full scale
- Insulation Resistance:** 5,000 megohms
- Cable Length:** 7.5-22.5 t=40 ft
30-50 t=18 m
- Cable Diameter:** 0.307 in polyurethane jacket
- Cable Color Code:** Green +Excitation
Black -Excitation
White +Signal
Red -Signal
Yellow Shield
- Warranty:** One-year limited warranty
- Approvals:** FM, NTEP, OIML



Stainless Steel, Hermetically Sealed, NTEP Certified 1:5,000 Class III Single Cell, OIML C3, IP69K

Interchangeable Products

- RICE LAKE WEIGHING SYSTEMS
RL1250* page 204
- RICE LAKE WEIGHING SYSTEMS
RLPWM12..... page 194
- VPG TEDEA-HUNTLEIGH®
1250* page 358

* Environmentally sealed



Picture is a representation of actual product.

Specifications

- Full Scale Output:**
2.0 mV/V
- Output Resistance:**
960 (± 50) ohm
- Input Resistance:**
1,100 (± 50) ohm
- Material/Finish:**
Stainless steel
- Temperature:**
Compensated range
14°F to 104°F (-10°C to 40°C)
Operating range
0° F to 150° F (-18° C to 65° C)
- Seal Type:**
Hermetically sealed, IP69K
- Safe Overload:**
200% full scale
- Safe Sideload:**
100% full scale
- Rated Excitation:**
5-10 VDC (20 V maximum)
- Combined Error:**
0.02% full scale
- Insulation Resistance:**
5,000 megohms
- Deflection at Capacity:**
0.015 in
- Cable Length:**
10 ft
- Cable Diameter:**
0.196 in polyurethane jacket
- Cable Color Code:**
Green +Excitation
Black -Excitation
White +Signal
Red -Signal
Yellow Shield
- Max Platform Size:**
39 in x 39 in
- Warranty:**
One-year limited warranty

Approvals:

- FM
- NTEP
- OIML

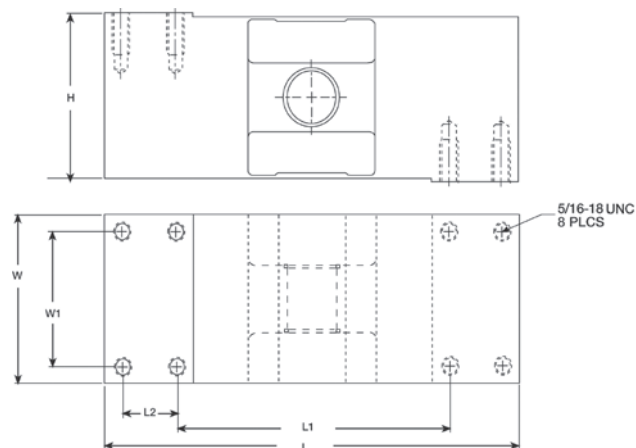


Dimensions

Rated Capacity	L	L1	L2	W	W1	H
kg/mm						
50-1,000	190.5	124.8	24.9	74.9	59.9	74.9

Order Information

Load Rating	Part #	Est. Weight	Price
50 kg	45274	15 lb	\$900.00
100 kg	45275	15 lb	\$900.00
250 kg	45276	15 lb	\$900.00
500 kg	45277	15 lb	\$900.00
1,000 kg	45278	15 lb	\$900.00
Options			
Conduit adapter, 1/2-14 NPT	17703	1 lb	\$50.00



PC1

Stainless Steel, Environmentally Sealed, NTEP Certified 1:4,500 Class III Single Cell, OIML C3, IP67



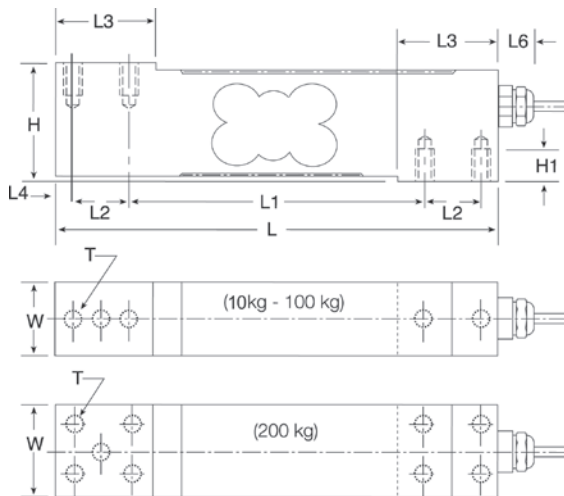
Picture is a representation of actual product.

Dimensions

Rated Capacity	H	H1	L	L1	L2	L3	L4	L6	W	T
kg/mm										
10-100	40.0	10.0	150.0	100.0	19.0	32.0	6.0	20.0	25.4	1/4-20 UNC x 19.1DP
200	40.0	10.0	150.0	100.0	19.0	32.0	6.0	20.0	38.1	1/4-20 UNC x 19.1DP

Order Information

Load Rating	Part #	Est. Weight	Price
NTEP Certified			
10 kg	41821	3 lb	\$328.00
15 kg	36219	3 lb	\$328.00
30 kg	36220	3 lb	\$328.00
50 kg	36221	3 lb	\$328.00
75 kg	36222	3 lb	\$328.00
Non-NTEP Certified			
100 kg	36223	3 lb	\$328.00
200 kg	36224	4 lb	\$492.00



Interchangeable Products

RICE LAKE WEIGHING SYSTEMS
RL1385.....page 200

Specifications

- Full Scale Output:**
2.0 mV/V
- Output Resistance:**
330 (± 25) ohms
- Input Resistance:**
390 (± 20) ohms
- Material/Finish:**
Stainless steel
- Temperature:**
Compensated range
14°F to 104°F (-10°C to 40°C)
Operating range
0° F to 150° F (-18° C to 65° C)
- Seal Type:**
Environmentally sealed, IP67
- Safe Overload:**
200% full scale
- Safe Sideload:**
100% full scale
- Rated Excitation:**
5-10 VDC (15 V maximum)
- Combined Error:**
0.02% full scale
- Insulation Resistance:**
5,000 megohms
- Cable Length:**
10 ft
- Cable Diameter:**
0.196 in polyurethane jacket
- Cable Color Code:**
Green +Excitation
Black -Excitation
White +Signal
Red -Signal
Yellow Shield
- Max Platform Size:**
18 in x 18 in
- Warranty:**
One-year limited warranty
- Approvals:**
FM
NTEP
OIML



Interchangeable Products

RICE LAKE WEIGHING SYSTEMS

RL1380.....page 199

HBM

PWS.....page 267



Picture is a representation of actual product.

Specifications

Full Scale Output:

2 mV/V

Output Resistance:

350 (± 10) ohms

Input Resistance:

385 (± 15) ohms

Material Finish:

Stainless steel

Temperature Compensation:

Compensated Range
14° F to 104° F (-10° C to 40° C)
Operating Range
0° F to 150° F (-18° C to 65° C)

Seal Type:

Environmentally Sealed, IP67

Safe Overload:

150% full scale

Rated Excitation:

5-10 VDC

Insulation Resistance:

5,000 megohms

Max Platform Size:

7-30 kg=350 mm x 350 mm
60-150 kg=450 mm x 450 mm

Combined Error:

0.02% full scale

Cable Length:

10 ft

Cable Diameter:

0.140 in polyurethane jacket

Color Code:

Green +Excitation
Black -Excitation
White +Signal
Red -Signal
Yellow Shield

Warranty:

One-year limited warranty

Approvals:

FM
NTEP
OIML

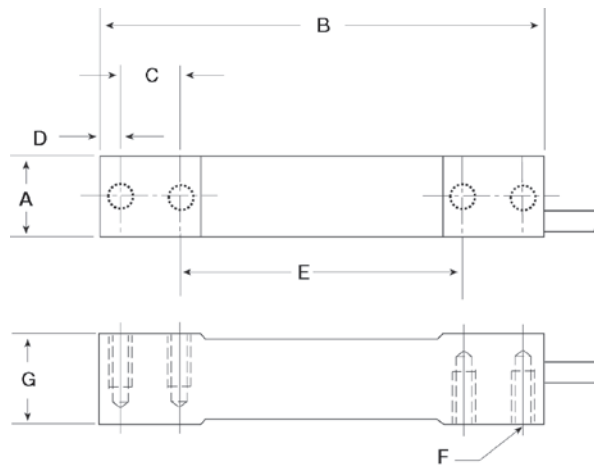


Dimensions

Rated Capacity	A	B	C	D	E	F	G
kg/mm							
7-10	18.2	140.0	19.0	6.4	88.9	1/4-20 UNC	30.0
30-60	24.5	140.0	19.0	6.4	88.9	1/4-20 UNC	30.0
100-150	30.8	140.0	22.4	7.8	79.3	3/8-16 UNC	30.0

Order Information

Load Rating	Part #	Est. Weight	Price
7 kg	202686	2 lb	\$328.00
10 kg	202687	2 lb	\$328.00
30 kg	202688	2 lb	\$328.00
60 kg	202689	2 lb	\$328.00
100 kg	202690	2 lb	\$328.00
150 kg	202691	2 lb	\$328.00



SINGLE POINT

PC4

Stainless Steel, Hermetically Sealed, NTEP Certified 1:5,000 Class III Single Cell, OIML C3, IP69K



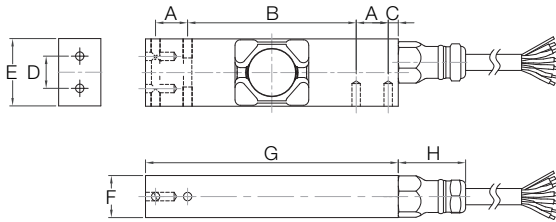
Picture is a representation of actual product.

Dimensions

Rated Capacity	A	B	C	D	E	F	G	H
kg/mm								
10-100	19.0	100.0	6.0	19.1	40.0	25.0	150.0	40.0

Order Information

Load Rating	Part #	Est. Weight	Price
10 kg	202692	3 lb	\$630.00
20 kg	202693	3 lb	\$630.00
50 kg	202694	3 lb	\$630.00
100 kg	202695	3 lb	\$630.00



Interchangeable Products

RICE LAKE WEIGHING SYSTEMS

RLPWM15HE.....page 188

HBM

PW15AH*page 266

*350 Ohms

Specifications

Full Scale Output:
2 mV/V

Output Resistance:
960 (± 50) ohms

Input Resistance:
1,100 (± 50) ohms

Material Finish:
Stainless steel

Temperature Compensation:
Compensated Range
14° F to 104° F (-10° C to 40° C)
Operating Range
0° F to 150° F (-18° C to 65° C)

Seal Type:
Hermetically sealed, IP68

Safe Overload:
150% full scale

Rated Excitation:
5-10 VDC

Insulation Resistance:
Greater than 5,000 megohms

Max Platform Size:
500 mm x 400 mm

Combined Error:
0.02% full scale

Cable Length:
10 ft

Color Code:
Green +Excitation
Black -Excitation
White +Signal
Red -Signal
Blue +Sense
Brown -Sense
Yellow Shield

Warranty:
One-year limited warranty

Approvals:
FM
NTEP
OIML



Interchangeable Products

RICE LAKE WEIGHING SYSTEMS

RLPC6 page 187

Specifications

Full Scale Output:

2.0 mV/V

Output Resistance:

960 (± 50) ohms

Input Resistance:

1,100 (± 50) ohms

Material/Finish:

Stainless steel

Temperature:

Compensated range
14° F to 104° F (-10° C to 40° C)
Operating range
0° F to 150° F (-18° C to 65° C)

Safe Overload:

200% full scale

Safe Sideload:

100% full scale

Rated Excitation:

5-10 VDC (15 V maximum)

Combined Error:

0.02% full scale

Insulation Resistance:

5,000 megohms

Cable Length:

3 m

Cable Color Code:

Green +Excitation
Black -Excitation
White +Signal
Red -Signal
Yellow Shield

Max Platform Size:

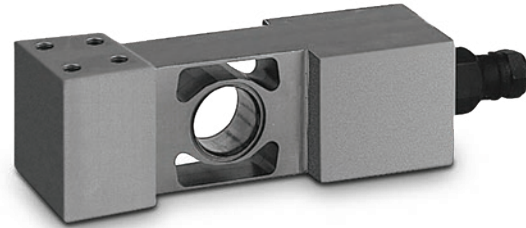
24 in x 24 in

Warranty:

One-year limited warranty

Approvals:

FM
NTEP
OIML



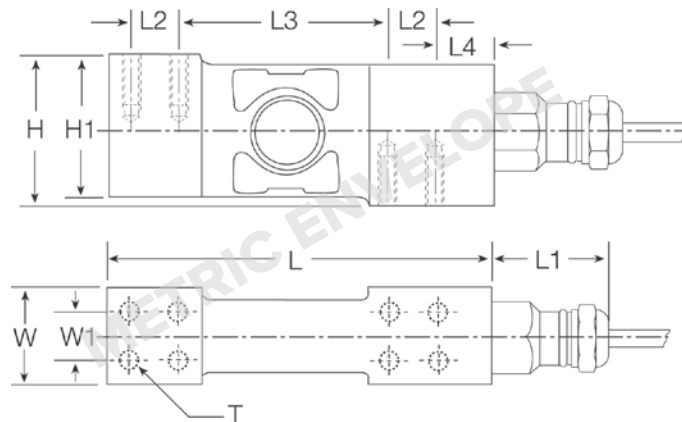
Picture is a representation of actual product.

Dimensions

Rated Capacity	H	H1	L	L1	L2	L3	L4	W	W1	T
kg/mm										
20-200	48.0	45.5	123.0	41.0	15.2	67.6	17.8	30.1	15.2	8 x M6/15DP

Order Information

Load Rating	Part #	Est. Weight	Price
20 kg	36225	3 lb	\$640.00
50 kg	36226	3 lb	\$640.00
100 kg	36227	3 lb	\$640.00
200 kg	36228	3 lb	\$640.00



PC7

Stainless Steel, Hermetically Sealed, OIML C3, IP69K



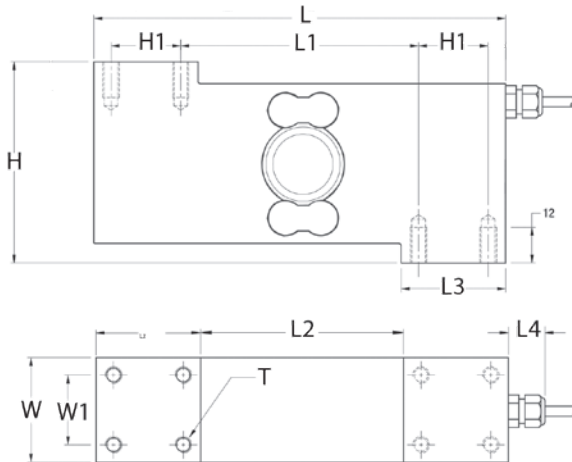
Picture is a representation of actual product.

Dimensions

Rated Capacity	H	H1	L	L1	L2	L3	L4	W	W1	T
kg/in										
100-500	2.88	1.00	5.91	3.41	2.92	1.50	0.63	1.50	1.00	M8

Order Information

Load Rating	Part #	Est. Weight	Price
100 kg	161719	6 lb	\$742.00
250 kg	161720	6 lb	\$742.00
500 kg	161721	6 lb	\$742.00



Interchangeable Products

VPG TEDEA-HUNTLEIGH®
1510..... page 360

Specifications

Full Scale Output:

2 mV/V ±5%

Output Resistance:

350 (± 10) ohms

Input Resistance:

380 (± 20) ohms

Material/Finish:

Stainless steel construction with electro-polished finish

Temperature:

Operating range
 0° F to 150° F (-18° C to 65° C)

Seal Type:

Hermetically sealed, IP69K

Safe Overload:

150% full scale

Rated Excitation:

5-15 VDC

Insulation Resistance:

5,000 megohms

Max Platform Size:

Up to 600 mm x 600 mm

Cable Length:

3 m

Cable Color Code:

- Green +Excitation
- Black -Excitation
- White +Signal
- Red -Signal
- Blue +Sense
- Brown -Sense
- Yellow Shield

Warranty:

One-year limited warranty

Approvals:

OIML



Specifications

Full Scale Output:

2.0 mV/V

Output Resistance:
960 (± 50) ohms
Input Resistance:
1,100 (± 50) ohms
Material/Finish:

Stainless steel

Temperature :
Operating range
0° F to 150° F (-18° C to 65° C)
Seal Type:

Hermetically sealed, IP68

Picture is a representation of actual product.
Safe Overload:

200% full scale

Safe Sideload:

100% full scale

Rated Excitation:

5-10 VDC (15 V maximum)

Insulation Resistance:

5,000 megohms

Combined Error:

0.02% full scale

Cable Length:

10 ft

Cable Diameter:

0.196 in polyurethane jacket

Cable Color Code:
Green +Excitation
Black -Excitation
White +Signal
Red -Signal
Blue +Sense
Brown -Sense
Yellow Shield
Warranty:

One-year limited warranty

Approvals:

FM

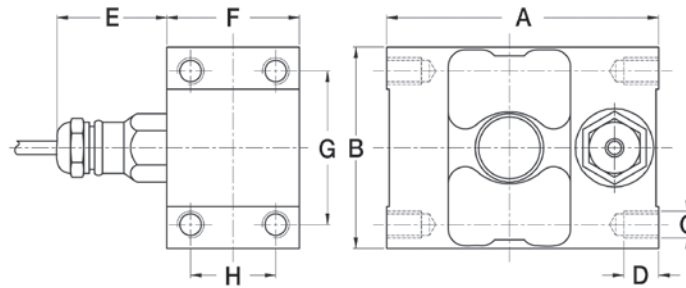


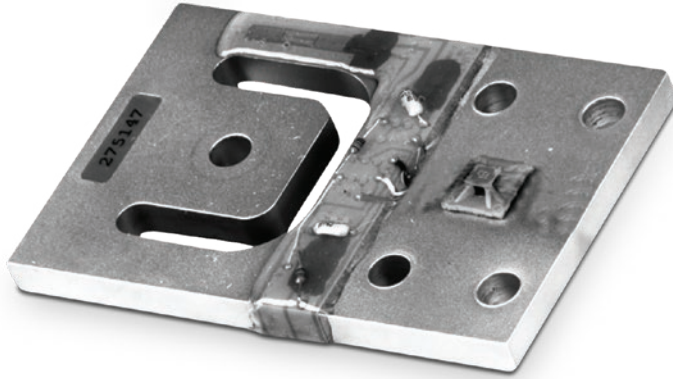
Dimensions

Rated Capacity	A	B	C	D	E	F	G	H
kg/mm								
150	101.6	75.0	M10	13.0	41.0	49.5	57.2	31.8

Order Information

Load Rating	Part #	Est. Weight	Price
150 kg	41176	2 lb	\$1,160.00





Interchangeable Products

RICE LAKE WEIGHING SYSTEMS
RLBLP page 208

Specifications

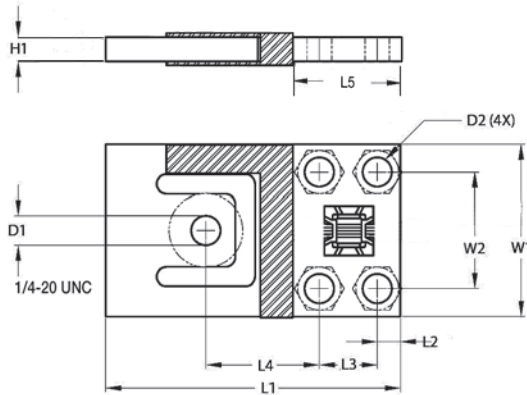
- Full Scale Output:**
1 mV/V
- Output Resistance:**
1,000 (± 10) ohm
- Input Resistance:**
1,180 (± 50) ohm
- Material/Finish:**
Aluminum
- Temperature:**
Operating range
0° F to 150° F (-18° C to 65° C)
- Seal Type:**
Environmentally sealed, IP65
- Safe Overload:**
150% full scale
- Rated Excitation:**
5-10 VDC
- Combined Error:**
0.060% full scale
- Insulation Resistance:**
5,000 megohms
- Cable Length:**
1.5 m
- Cable Color Code:**
Green +Excitation
Black -Excitation
White +Signal
Red -Signal
Yellow Shield
- Warranty:**
One-year limited warranty

Dimensions

Rated Capacity	L1	L2	L3	L4	L5	W1	W2	H1	D1	D2	Deflection (mm) at E max
kg/mm											
15	70.0	4.9	14.0	28.0	23.7	39.0	27.8	4.1	7.6	5.1	0.3
37.5	76.2	6.0	15.0	29.3	27.0	44.5	30.0	4.8	7.6	6.6	0.4
75	84.4	6.4	15.0	34.0	27.7	54.8	30.0	6.4	7.6	6.6	0.4
150	107.3	7.8	22.9	45.9	38.4	69.9	44.5	7.9	9.1	8.1	0.6

Order Information

Load Rating	Part #	Est. Weight	Price
15 kg	96361	1 lb	\$85.00
37.5 kg	96362	1 lb	\$90.00
75 kg	96363	1 lb	\$96.00
150 kg	96364	1 lb	\$108.00



Page 260

H35, STAINLESS STEEL



The H35 offers all stainless steel construction and an integral mounting foot as well as dimensional and electrical interchangeability with several load cell manufacturers. Capacities range from 500 lb to 5,000 lb. Each cell comes with 20 ft of load cell cable.



Page 261

BBS, ALLOY STEEL



Low-cost bending beam load cell designed for precision force and weight measurement. Features excellent performance and protection against adverse environments, alloy and stainless steel sensing elements, and low mounting sensitivity. Capacities range from 50 lb to 7,500 lb. Complete with 10 ft of load cell cable.



Page 262

Z6, STAINLESS STEEL



The Z6 bending beam load cell is constructed of stainless steel with a welded seal. These features make the Z6 ideal for harsh or caustic environments as well as washdown applications. Capacities range from 5 kg to 200 kg. Complete with 10 ft of load cell cable.



ROCKER COLUMN

Page 263

C16A, STAINLESS STEEL



The HBM® C16A rocker column load cell is specifically designed for high-capacity weighing in the harshest environments. Ideal for truck scale applications, it features all stainless steel construction along with IP68 hermetic sealing. It is easy to install and maintain, providing real cost advantages for both new installations and retrofit projects. The HBM® C16A is available in capacities ranging from 20 t to 60 t, and includes 12 m of load cell cable.



SINGLE POINTS

Page 264

SP4M, ALUMINUM



The SP4M is a low-profile, off-center load cell designed for use in retail, postal and platform scale applications. This high accuracy single point is manufactured from aluminum, and is movement compensated for guaranteed accuracy. The product is protected by a quality gauge coating compound that provides a barrier against high humidity environments. Capacities range from 3 kg to 100 kg, and comes standard with 10 ft of load cell cable.



Page 265

PW15, STAINLESS STEEL



A stainless steel, single point load cell from HBM®. With capacities ranging from 15 kg to 150 kg. The PW15 is ideal for platform, hanging scale and other low capacity beam applications. Complete with 10 ft of load cell cable.



Page 266

PW15AH, STAINLESS STEEL



The PW15AH by HBM® is the new standard for hermetically sealed, single-point load cells. A unique sealing process guarantees moisture protection from high-pressure jets. Available in 10, 20, 50 and 100 kg capacities; IP69K rated.



Page 267

PWS, STAINLESS STEEL



The PWS is a single-point cell, constructed of stainless steel and designed to perform in harsh, high-shock load environments. These features make the PWS ideal for platform scales and packaging and process weighing equipment. Capacities range from 7 kg to 150 kg. Complete with 10 ft of load cell cable.



H35

Stainless Steel, Welded Seal, NTEP Certified 1:5,000 Class III Multiple Cell, IP67



APPROVALS



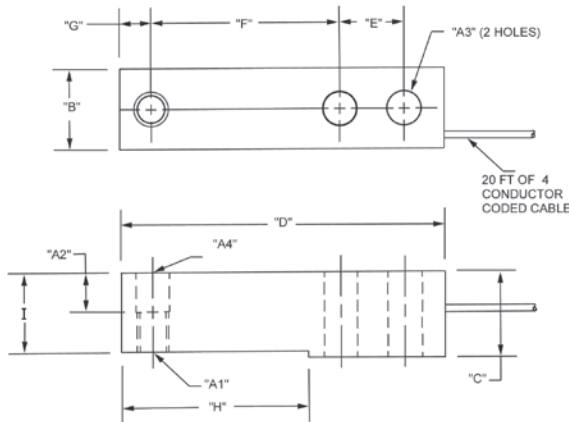
Dimensions

Picture is a representation of actual product

Rated Capacity	A1	A2	A3	A4	B	C	D	E	F	G	H	I
500-5,000	1/2-20 UNF-2B	0.62	0.53	0.53	1.21	1.19	5.12	1.00	3.00	0.50	2.85	1.12

Order Information

Load Rating	Part #	Est. Weight	Price
500 lb	84818	3 lb	\$371.00
1,000 lb	64876	3 lb	\$371.00
2,500 lb	64877	3 lb	\$371.00
4,000 lb	64878	3 lb	\$371.00
5,000 lb	64879	3 lb	\$371.00



Interchangeable Products

RICE LAKE WEIGHING SYSTEMS

RLH35 page 144

METTLER TOLEDO®

500 lb-8 ft cable..... TB601019-008

1,000 lb-20 ft cable TB601016-020

2,500 lb-8 ft cable..... TB601016-008

4,000 lb-20 ft cable.....TB601017-020

5,000 lb-8 ft cable TB601018-008

METTLER TOLEDO

500 lb.....TB600830-020

METTLER TOLEDO

1,000 lb.....TB600831-020

METTLER TOLEDO

2,000 lb TB600832-020

METTLER TOLEDO

2,500 lb.....TB600833-020

Specifications

Full Scale Output:

3.0 mV/V

Output Resistance:

350 (± 3) ohms

Input Resistance:

385 ohms, nominal

Material/Finish:

Stainless steel

Temperature:

Compensated range

14°F to 104°F (-10°C to 40°C)

Operating range

0°F to 150°F (-18°C to 65°C)

Seal Type:

Welded-seal, IP67

Safe Overload:

150% full scale

Safe Sideload:

100% full scale

Rated Excitation:

5- 10 V DC (15 V maximum)

Combined Error:

0.02% full scale

Insulation Resistance:

5,000 megohms

Cable Length:

20 ft

Cable Diameter:

0.190 in polyurethane jacket

Cable Color Code:

Green +Excitation

Black -Excitation

White +Signal

Red -Signal

Yellow Shield

Warranty:

One-year limited warranty

Approvals:

FM

NTEP

Interchangeable Products

RICE LAKE WEIGHING SYSTEMS

RL40BBS page 156

VPG® SENSORTRONICS

60007 —

VPG® BLH

LBG1 —

FAIRBANKS®

3-481XX-1, 3-486XX-1 —

Specifications

Full Scale Output:

2.0 mV/V

Output Resistance:

750 (± 15) ohms

Input Resistance:

375 (± 10) ohms

Material/Finish:

High-alloy steel, nickel plated

Temperature:Operating range
0°F to 150°F (-18°C to 65°C)**Seal Type:**

Environmentally sealed, IP65

Safe Overload:

150% full scale

Safe Sideload:

50% full scale

Rated Excitation:

5-10 V DC (15 V maximum)

Nonlinearity:

0.03% full scale

Hysteresis:

0.03% full scale

Insulation Resistance:

1,000 megohms

Deflection at Capacity:50 lb=0.015 in
100 lb=0.025 in
200-250 lb=0.030 in
500 lb=0.020 in
1,000 lb=0.040 in**Cable Length:**

10 ft

Cable Diameter:

0.190 in polyurethane jacket

Cable Color Code:Green +Excitation
Black -Excitation
White +Signal
Red -Signal
Yellow Shield**Warranty:**

One-year limited warranty

Approvals:

FM

APPROVALS



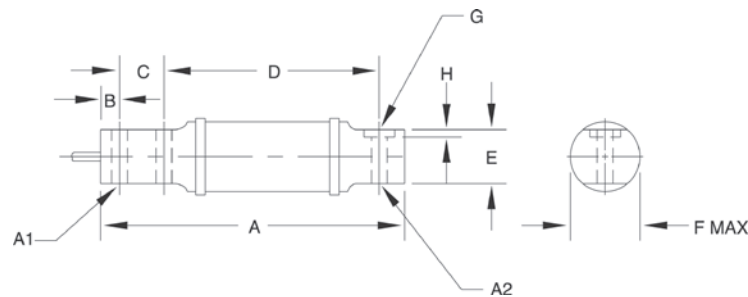
Dimensions

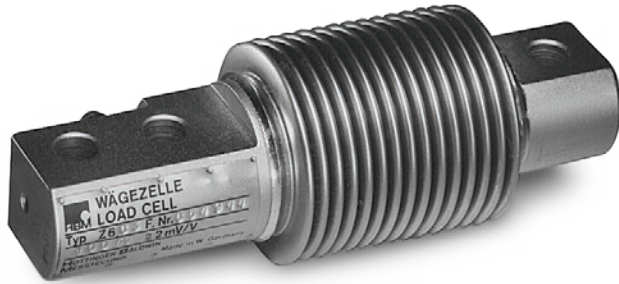
Picture is a representation of actual product

Rated Capacity	A	A1	A2	B	C	D	E	F	G	H
lb/in										
50-100	6.00	0.31	0.31	0.38	0.88	4.25	1.06	1.25	—	—
200-1,000	6.63	0.51	0.51	0.50	1.12	4.25	1.06	1.25	—	—

Order Information

Load Rating	Part #	Est. Weight	Price
50 lb	17352	3 lb	\$927.50
100 lb	17353	3 lb	\$927.50
200 lb	17354	3 lb	\$927.50
250 lb	17355	3 lb	\$927.50
500 lb	17356	3 lb	\$927.50
1,000 lb	17357	3 lb	\$927.50





APPROVALS



Available upon request

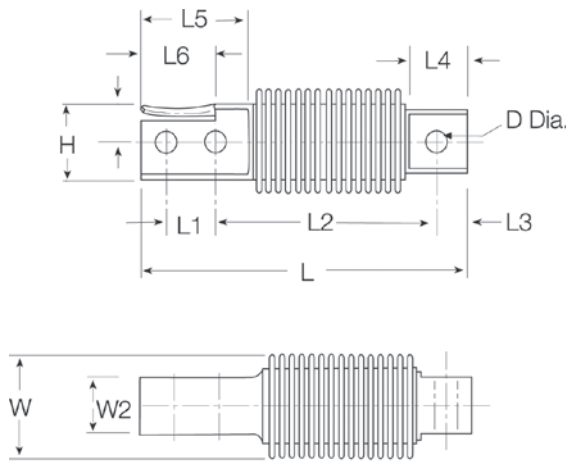
Dimensions

Picture is a representation of actual product

Rated Capacity	H	L	L1	L2	L3	L4	L5	L6	W	W2	D
kg/mm											
5-200	31.0	123.0	18.0	82.0	9.9	21.0	45.0	27.9	42.0	20.1	8.2

Order Information

Load Rating	Part #	Est. Weight	Price
OIML C3			
10 kg	36173	2 lb	\$689.00
20 kg	36174	2 lb	\$689.00
50 kg	36175	2 lb	\$689.00
100 kg	36176	2 lb	\$689.00
200 kg	36177	2 lb	\$689.00
OIML D1			
5 kg	36172	2 lb	\$689.00



Interchangeable Products

RICE LAKE WEIGHING SYSTEMS	
RLHBB** —
RICE LAKE WEIGHING SYSTEMS	
RL9018SS page 141
VPG® REVERE	
SHB page 289
VPG® TEDEA-HUNTLEIGH	
355 page 345
METTLER TOLEDO®	
MTB*** —

** Except for 500 kg

** Color code is different

Specifications

Full Scale Output:

2.0 mV/V

Output Resistance:

356 (± 0.12) ohms

Input Resistance:

350-400 ohms

Material/Finish:

Stainless steel

Temperature:

Operating range
0° F to 150° F (-18° C to 65° C)

Seal Type:

Welded-seal, IP68

Safe Overload:

150% full scale

Rated Excitation:

5- 10 V DC (15 V maximum)

Combined Error:

0.05% full scale

Insulation Resistance:

5,000 megohms

Cable Length:

10 ft

Cable Diameter:

0.190 in PVC jacket

Cable Color Code:

Blue +Excitation
Black -Excitation
White +Signal
Red -Signal
Green +Sense
Grey -Sense

Warranty:

One-year limited warranty

Approvals:

FM
OIML
Ex (available upon request)

Stainless Steel, Hermetically Sealed, NTEP Certified 1:10,000 Class IIII Multiple Cell/OIML, IP68

Specifications

Full Scale Output:
2 mV/V ± 1%

Output Resistance:
706 (± 3.5) ohms

Input Resistance:
700 (± 20) ohms

Material/Finish:
Stainless steel

Temperature:
Compensated range
14°F to 104°F (-10°C to 40°C)
Operating range
0° F to 150° F (-18° C to 65° C)

Seal Type:
Hermetically sealed, IP68

Safe Overload:
130% full scale

Rated Excitation:
5- 10 VDC (15 V maximum)

Combined Error:
0.03% full scale

Insulation Resistance:
5,000 megohms

Cable Length:
12 m

Cable Diameter:
0.190 in polyurethane jacket

Cable Color Code:
Blue +Excitation
Black -Excitation
White +Signal
Red -Signal
Green +Sense
Grey -Sense

Warranty:
One-year limited warranty

Approvals:
NTEP
OIML

APPROVALS



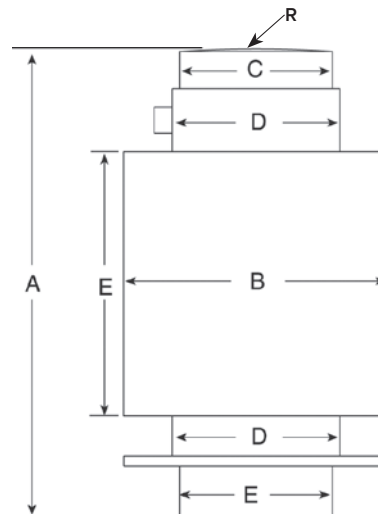
Dimensions

Picture is a representation of actual product

Rated Capacity	A	B	C	D	E	R
t/mm						
20	150.0	76.1	44.0	48.0	44.0	130.0
30	150.0	76.1	44.0	48.0	44.0	160.0
40	150.0	76.1	44.0	48.0	44.0	180.0
60	210.0	76.1	44.0	48.0	44.0	220.0

Order Information

Load Rating	Part #	Est. Weight	Price
OIML C3			
20t	69312	6 lb	\$1,060.00
30t	69313	6 lb	\$1,060.00
40t	69314	10 lb	\$1,060.00
60t	125266	10 lb	\$1,113.00
NTEP Certified			
20t	106149	6 lb	\$1,060.00
30t	106150	6 lb	\$1,060.00
40t	106151	10 lb	\$1,060.00
60t	125265	10 lb	\$1,113.00





APPROVALS



Interchangeable Products

- RICE LAKE WEIGHING SYSTEMS
RLSP4*..... page 193
- RICE LAKE WEIGHING SYSTEMS
RL1042..... page 196
- VPG® TEDEA-HUNTLEIGH
1042..... page 349

*Color code is different

Specifications

- Full Scale Output:**
2.0 mV/V
- Output Resistance:**
350 (± 3) ohms
- Input Resistance:**
350 ohms
- Material/Finish:**
Anodized Aluminum
- Temperature:**
Compensated range
14°F to 104°F (-10°C to 40°C)
Operating range
0° F to 150° F (-18° C to 65° C)

Seal Type:
Environmentally sealed, IP67

Safe Overload:
150% full scale

Rated Excitation:
5- 10 VDC (15 V maximum)

Combined Error:
0.02% full scale

Insulation Resistance:
5,000 megohms

Deflection at Capacity:
0.015 in

Cable Length:
10 ft

Cable Diameter:
0.190 in PVC jacket

Cable Color Code:
Blue +Excitation
Black -Excitation
White +Signal
Red -Signal
Green +Sense
Grey -Sense

Warranty:
One-year limited warranty

Approvals:
FM
NTEP
OIML

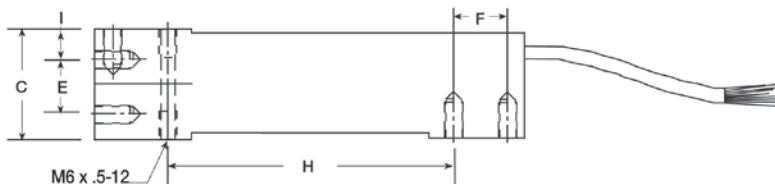
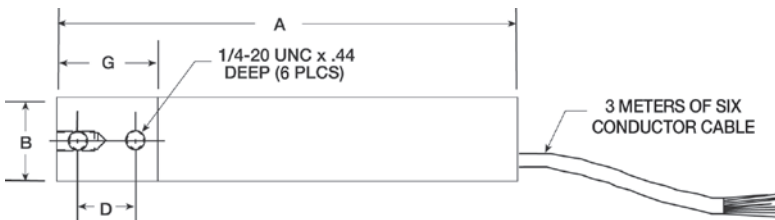
Dimensions

Picture is a representation of actual product

Rated Capacity	A	B	C	D	E	F	G	H	I
kg/mm									
3-100	150.3	25.4	39.9	19.1	19.1	19.1	33.8	99.6	11.4

Order Information

Load Rating	Part #	Est. Weight	Price
NTEP Certified			
7 kg	72764	2 lb	\$238.50
15 kg	72767	2 lb	\$238.50
20 kg	72769	2 lb	\$238.50
30 kg	72771	2 lb	\$238.50
50 kg	72776	2 lb	\$238.50
75 kg	72777	2 lb	\$238.50
100 kg	72778	2 lb	\$238.50
OIML with Metric Threads			
3 kg	121396	2 lb	\$238.50
5 kg	121397	2 lb	\$238.50
7 kg	121398	2 lb	\$238.50
10 kg	121399	2 lb	\$238.50
15 kg	121400	2 lb	\$238.50
20 kg	121401	2 lb	\$238.50
30 kg	121402	2 lb	\$238.50
50 kg	121403	2 lb	\$238.50
75 kg	124835	2 lb	\$238.50
100 kg	121404	2 lb	\$238.50



Interchangeable Products

RICE LAKE WEIGHING SYSTEMS

RLPWM15..... page 189

VPG® TEDEA-HUNTLEIGH

1142*..... page 354

*Color code is different



APPROVALS



Specifications

Full Scale Output:

2.0 mV/V

Output Resistance:

359 (± 5) ohms

Input Resistance:

380 (± 15) ohms

Material/Finish:

Stainless steel

Temperature:

Compensated range
14°F to 104°F (-10°C to 40°C)
Operating range
0° F to 150° F (-18° C to 65° C)

Seal Type:

Environmentally sealed, IP67

Safe Overload:

150% full scale

Rated Excitation:

5-10 VDC (15 V maximum)

Total Error:

0.02% full scale

Insulation Resistance:

1,000 megohms

Cable Length:

10 ft

Cable Diameter:

0.190 in PVC jacket

Deflection:

0.2 mm

Cable Color Code:

Blue +Excitation
Black -Excitation
White +Signal
Red -Signal
Green +Sense
Grey -Sense

Warranty:

One-year limited warranty

Approvals:

FM
NTEP

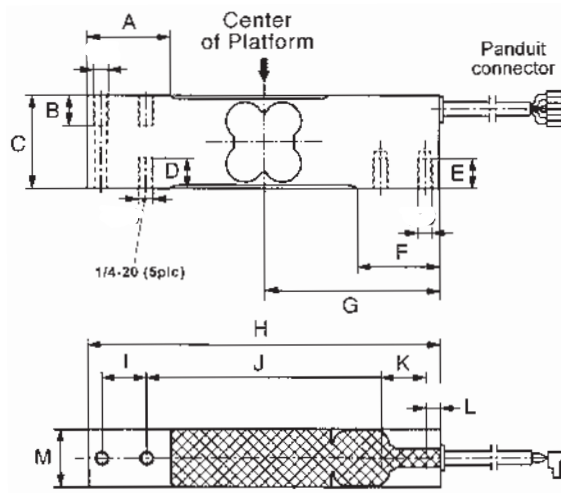
Dimensions

Picture is a representation of actual product

Rated Capacity	A	B	C	D	E	F	G	H	I	J	K	L	M
kg/mm													
15-150	35.0	13.0	40.0	13.0	13.0	35.0	75.0	150.0	19.0	100.0	19.0	6.2	25.0

Order Information

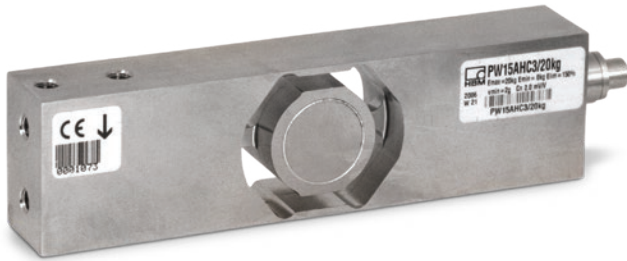
Load Rating	Part #	Est. Weight	Price
15 kg	76771	3 lb	\$387.00
20 kg	76772	3 lb	\$387.00
50 kg	76774	3 lb	\$387.00
75 kg	76775	3 lb	\$387.00
100 kg	76776	3 lb	\$387.00
150 kg	84820	3 lb	\$387.00



SINGLE POINT PW15AH

Stainless Steel, Hermetically Sealed, NTEP Certified 1:5,000 Class III Single Cell, OIML C3, IP69K

HBM



APPROVALS



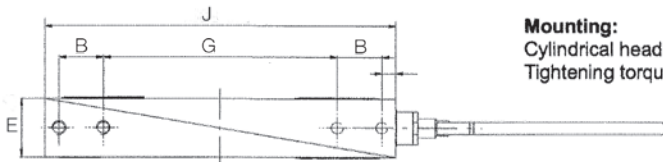
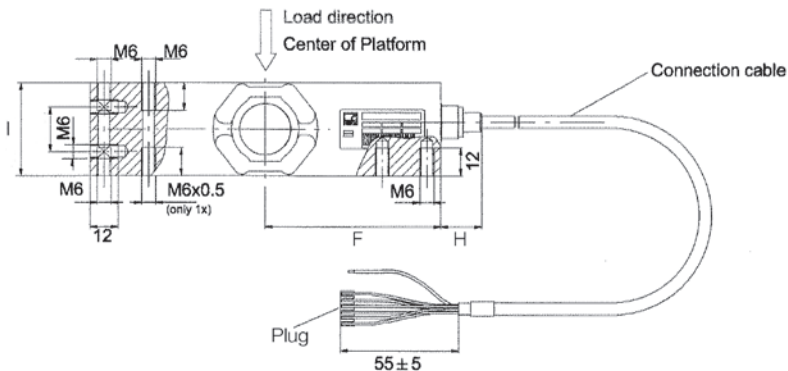
Dimensions

Picture is a representation of actual product

Rated Capacity	B	E	F	G	H	I	J
kg/mm							
10-100	19.0	25.0	75.0	100.0	17.5	40.0	150.0

Order Information

Load Rating	Part #	Est. Weight	Price
10 kg	101915	3 lb	\$715.50
20 kg	101916	3 lb	\$715.50
50 kg	101917	3 lb	\$715.50
100 kg	101918	3 lb	\$715.50



Mounting:
Cylindrical head screw M6-10.9
Tightening torque: 14 N·m

Interchangeable Products

RICE LAKE WEIGHING SYSTEMS

RLPWM15.....page 189

FLINTEC®

PC4.....page 254

Specifications

Full Scale Output:

2.0 mV/V

Output Resistance:

350 (± 10) ohms

Input Resistance:

380 (± 15) ohms

Material/Finish:

Stainless steel

Temperature:

Compensated range
14°F to 104°F (-10°C to 40°C)
Operating range
0° F to 150° F (-18° C to 65° C)

Seal Type:

Hermetically sealed, IP69K

Safe Overload:

150% full scale

Rated Excitation:

5-10 VDC (15 V maximum)

Combined Error:

0.02% full scale

Insulation Resistance:

1,000 megohms

Cable Length:

10 ft

Cable Diameter:

0.212 in PVC jacket

Cable Color Code:

Blue +Excitation
Black -Excitation
White +Signal
Red -Signal
Green +Sense
Grey -Sense

Warranty:

One-year limited warranty

Approvals:

NTEP
OIML
FM

www.ricelake.com | Phone: 800-472-6703



Interchangeable Products

RICE LAKE WEIGHING SYSTEMS

RL1380..... page 199

FLINTEC®

PC3 page 253

Specifications

Full Scale Output:
2.0 mV/V

Output Resistance:
359 (± 10) ohms

Input Resistance:
390 (± 15) ohms

Material/Finish:
Stainless steel

Temperature:
Compensated range
14°F to 104°F (-10°C to 40°C)
Operating range
0° F to 150° F (-18° C to 65° C)

Seal Type:
Environmentally sealed, IP67

Safe Overload:
150% full scale

Rated Excitation:
5-10 VDC (15 V maximum)

Combined Error:
0.03% Full scale

Insulation Resistance:
5,000 megohms

Cable Length:
10 ft

Cable Diameter:
0.190 in polyurethane jacket

Cable Color Code:
Green +Excitation
Black -Excitation
White +Signal
Red -Signal
Yellow Shield

Deflection:
<0.4 mm full scale

Warranty:
One-year limited warranty

Approvals:
FM
NTEP
OIML

APPROVALS



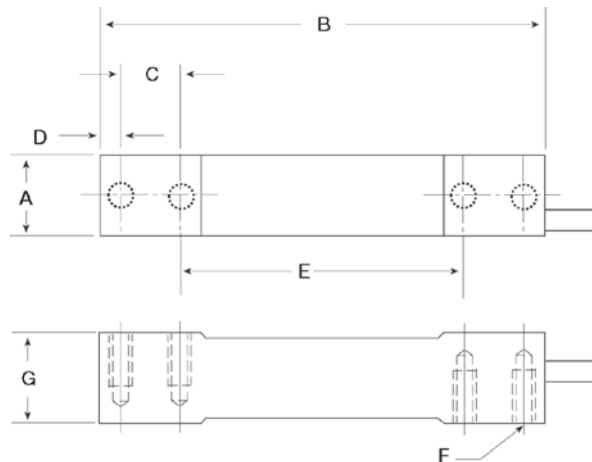
Dimensions

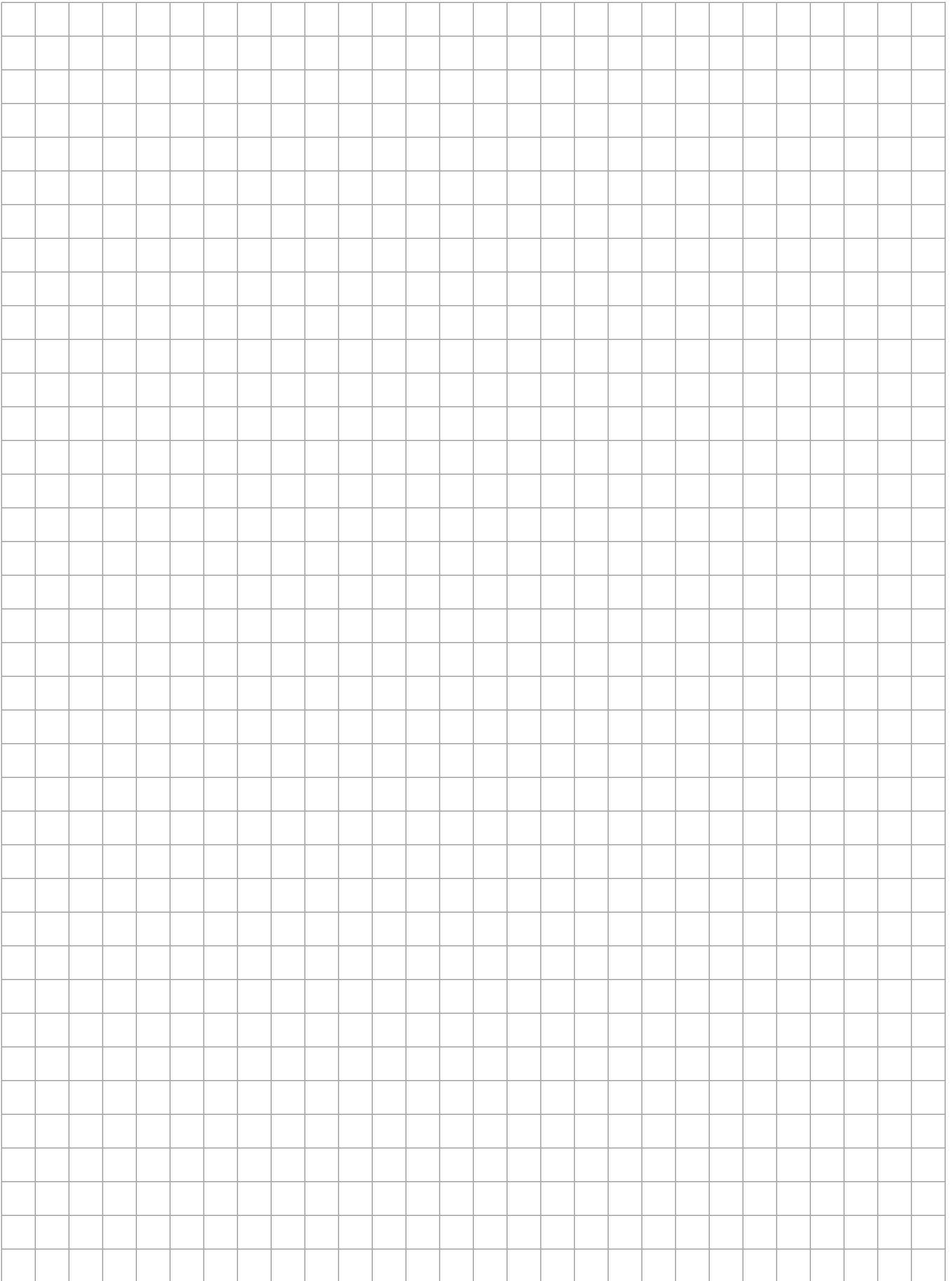
Picture is a representation of actual product

Rated Capacity	A	B	C	D	E	F	G
kg/mm							
7-15	30.2	139.7	19.1	6.4	88.9	1/4-20 UNC	19.1
30-60	30.2	139.7	19.1	6.4	88.9	1/4-20 UNC	23.9
100-150	30.2	139.7	22.3	7.8	79.2	3/8-16 UNC	30.7

Order Information

Load Rating	Part #	Est. Weight	Price
7 kg	36185	2 lb	\$387.00
10 kg	36186	2 lb	\$387.00
15 kg	36187	2 lb	\$387.00
30 kg	36188	2 lb	\$387.00
60 kg	36189	2 lb	\$387.00
100 kg	68551	2 lb	\$387.00
150 kg	69345	2 lb	\$387.00





Interface

TABLE OF CONTENTS

COMPRESSION DISK

Page 270 **1200, ALLOY STEEL/ALUMINUM**



The 1200 Series' compact design permits smaller, more compact testing machines, portability and allows for weighing systems of substantially smaller dimensions. Resistance to extraneous forces produces high fatigue life, permits less stringent mounting alignment and reduces the possibility of reading errors. Capacities range from 1,000 lb to 100,000 lb. Complete with 10 ft of load cell cable.

Page 271 **3200, STAINLESS STEEL**



The 3200 Series' stainless steel load cells are designed specifically for difficult applications in harsh environments. These units incorporate welded stainless steel diaphragms to resist corrosion and to seal against moisture intrusion. These load cells provide high accuracy, resistance to off-center loads with minimum error, excellent temperature specifications and low height envelope for ease of installation. Capacities range from 5,000 lb to 100,000 lb. Complete with 20 ft of load cell cable.

TENSION/COMPRESSION

Page 272 **SML, LOW HEIGHT**



A low height load cell designed for tension and compression. Constructed of anodized aluminum 5 lb to 300 lb or stainless steel 500 lb to 2,000 lb with 5 ft of integral cable.

Page 273 **WMC, STAINLESS STEEL, ROD END**



The WMC rod end load cell is constructed of stainless steel, environmentally sealed and designed for tension or compression. Capacities range from 15,000 lb to 200,000 lb.

Page 274 **WMC MINIATURE SEALED, STAINLESS STEEL**



The WMC Miniature Sealed load cell completes the WMC line with this low capacity, low profile load cell with 5 ft of integral cable.

1200 Series

Low-Profile Alloy Steel/Aluminum, Environmentally Sealed, IP67



Dimensions

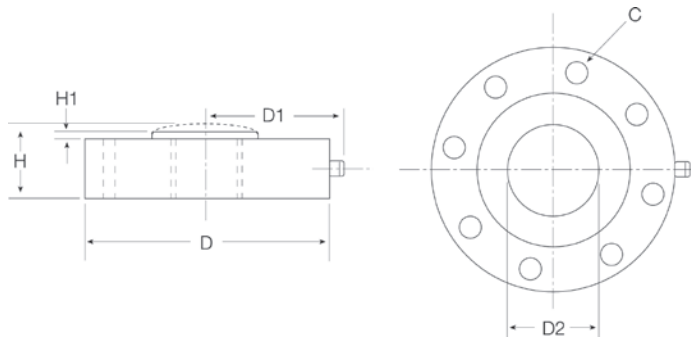
Picture is a representation of Model 1211

Rated Capacity lb/in	C	D	D1	D2	H	H1
1,000-10,000	0.28 dia 8 holes	4.12	2.63	1.34	1.37	0.12
25,000-50,000	0.34 dia 4 holes	4.75	2.95	1.57	1.75	0.12
100,000	0.47 dia 12 holes	7.50	4.32	3.12	2.25	0.25

Order Information

Load Rating	Part #	Est. Weight	Price
Aluminum			
1,000 lb	36132	4 lb	\$1,282.00
2,000 lb	36133	4 lb	\$1,282.00
Alloy Steel			
5,000 lb	36134	5 lb	\$1,405.00
10,000 lb	36135	5 lb	\$1,405.00
25,000 lb	36136	8 lb	\$1,563.00
50,000 lb	36137	8 lb	\$1,563.00
100,000 lb	36138	22 lb	\$2,465.00

Consult factory for load cell bases



Specifications

Full Scale Output:

1,000-2,000 lb =2.0 mV/V
5,000-100,000 lb=4.0 mV/V

Bridge Resistance:

350 ohms, nominal

Material/Finish:

1,000-2,000 lb (aluminum)
5,000-100,000 lb (alloy steel)

Temperature:

Operating range
0°F to 150°F (-18°C to 65°C)

Seal Type:

Environmentally sealed, IP67

Safe Overload:

150% full scale

Rated Excitation:

5-10 VDC (20 V maximum)

Nonlinearity:

0.05% full scale

Hysteresis:

0.02-0.04% full scale

Insulation Resistance:

5,000 megohms

Cable Length:

10 ft

Cable Color Code:

Red +Excitation
Black -Excitation
Green +Signal
White -Signal

Warranty:

Two-year limited warranty

Specifications

Full Scale Output:

4.0 mV/V

Bridge Resistance:

350 ohms, nominal

Material/Finish:

Stainless steel

Temperature:
Operating range
0°F to 150°F (-18°C to 65°C)
Seal Type:

Hermetically sealed, IP66/68

Safe Overload:

150% full scale

Rated Excitation:

5-10 VDC (20 V maximum)

Nonlinearity:

0.05% full scale

Hysteresis:

0.04% full scale

Insulation Resistance:

5,000 megohms

Cable Length:

20ft

Cable Color Code:
Red +Excitation
Black -Excitation
Green +Signal
White -Signal
Warranty:

Two-year limited warranty



Dimensions

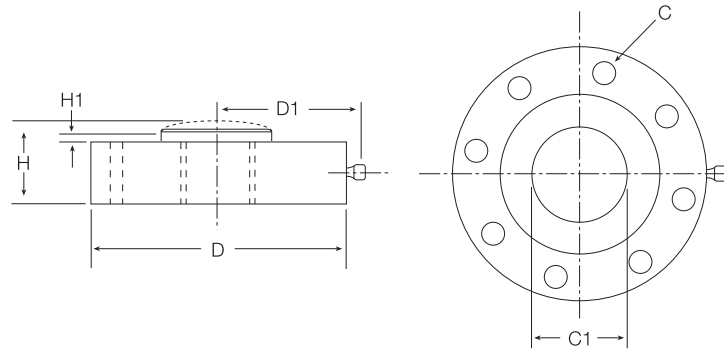
Picture is a representation of Model 3211

Rated Capacity lb/in	C	C1	D	D1	H	H1
5,000-10,000	0.28 dia 8 holes	1.34	4.12	2.56	1.37	0.12
25,000-50,000	0.34 dia 4 holes	1.57	4.75	2.87	1.75	0.12
100,000	0.47 dia 12 holes	3.12	7.50	4.25	2.25	0.25

Order Information

Load Rating	Part #	Est. Weight	Price
5,000 lb	36140	5 lb	\$1,600.00
10,000 lb	36141	5 lb	\$1,600.00
25,000 lb	36142	8 lb	\$1,813.00
50,000 lb	36143	8 lb	\$1,813.00
100,000 lb	36144	10 lb	\$3,090.00

Consult factory for load cell bases





Dimensions

Picture is a representation of actual product

Rated Capacity	A	B	C	D	E	F	G	H	I
lb/in									
5-10	1.80	0.52	0.73	0.90	10-32 UNF .20 deep	0.34	0.13	0.29	0.50
25-100	2.00	0.64	0.73	1.00	1/4-28 UNF .25 deep	0.46	0.13	0.38	0.50
200-1,000	2.12	0.89	0.98	1.06	3/8-24 UNF .38 deep	0.71	0.13	0.46	0.57
2,000	2.80	1.16	1.24	1.40	1/2-20 UNF .49 deep	1.00	0.13	0.75	0.77

Order Information

Load Rating	Part #	Est. Weight	Price
5 lb	185097	1lb	\$843.00
10 lb	185098	1lb	\$843.00
25 lb	185099	1lb	\$630.00
50 lb	185100	1lb	\$630.00
100 lb	185101	1lb	\$630.00
200 lb	185102	1lb	\$630.00
300 lb	185103	1lb	\$630.00
500 lb	185104	1lb	\$630.00
1,000 lb	185105	1lb	\$843.00
2,000 lb	185106	1lb	\$843.00

Specifications

Full Scale Output:

2.0 mV/V

Bridge Resistance:

350 ohms, nominal

Material/Finish:

5-300 lb - Aluminum

500-2,000 lb - Stainless steel

Temperature:

Operating range

-65°F to 200°F (-54°C to 93°C)

Safe Overload:

5-10 lb: 800%

25-2,000 lb: 150%

Rated Excitation:

15 VDC Max

Nonlinearity:

5-300 lb ± 0.05% full scale

500-1,000 lb ± 0.10% full scale

2,000 ± 0.20% full scale

Hysteresis:

5-300 lb ± 0.05% full scale

500-1,000 lb ± 0.10% full scale

2,000 ± 0.20% full scale

Insulation Resistance:

> 5,000 megohms

Cable Length:

5 ft

Cable Color Code:

Red +Excitation

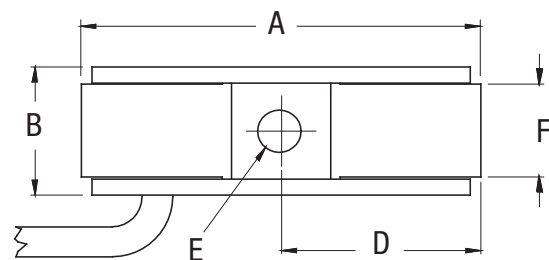
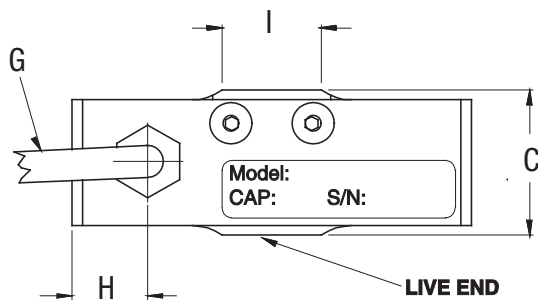
Black -Excitation

White +Signal

Green -Signal

Warranty:

One-year limited warranty



Specifications

Full Scale Output:
2.0 mV/V

Bridge Resistance:
350 ohms, nominal

Material/Finish:
Stainless steel

Temperature:
Operating range
-65°F to 250°F (-54°C to 121°C)

Safe Overload:
150% full scale

Rated Excitation:
15 VDC Max

Nonlinearity:
15-30 K ± 0.10% full scale
100 K ± 0.15% full scale
200 K ± 0.20% full scale

Hysteresis:
± 0.15% full scale

Insulation Resistance:
> 5,000 megohms

Connector Pin Out:
A +Excitation
B +Sense
C -Excitation
D -Sense
E -Signal
F +Signal

Warranty:
One-year limited warranty



Dimensions

Picture is a representation of actual product

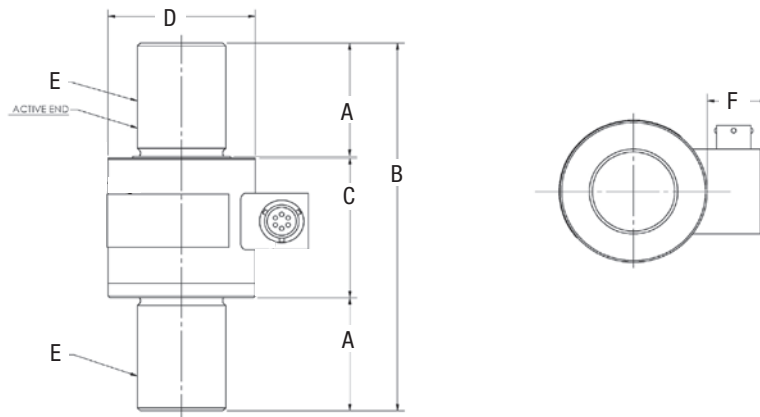
Rated Capacity	A	B	C	D	E	F
lb/in						
15,000-50,000	2.00	6.50	2.47	2.50	1.5-12 UNF	1.01
100,000	3.00	10.00	3.97	3.50	2.50-12 UNF	1.28
200,000	4.00	13.00	4.97	4.47	3.50-8 UNF	1.36

Order Information

Load Rating	Part #	Est. Weight	Price
15,000 lb	185079	5 lb	\$2,040.00
20,000 lb	185080	5 lb	\$2,040.00
30,000 lb	185081	5 lb	\$2,040.00
50,000 lb	185583	5 lb	\$2,040.00
100,000 lb	185082	20 lb	\$3,705.00
200,000 lb	185083	40 lb	\$4,400.00

Load Cell Cable Option

	Part #	Est. Weight	Price
10 ft cable with PTO6A-10-6S (SR) connector	185459	2 lb	\$250.00



TENSION/COMPRESSION

WMC Miniature Sealed

Stainless Steel

INTERFACE



Specifications

- Full Scale Output:**
2.0 mV/V
- Bridge Resistance:**
350 ohms, nominal
- Material/Finish:**
Stainless steel
- Temperature:**
Operating range
-65°F to 250°F (-54°C to 121°C)
- Safe Overload:**
150% full scale
- Rated Excitation:**
12 VDC

Dimensions

Picture is a representation of actual product

Rated Capacity	A	B	C	D	E	F	G	H
lb/in								
5-10	0.45	0.06	0.75	0.25	6-32 UNC	0.50	0.39	1.01
25-100	0.52	0.03	1.00	0.25	10-32 UNF	0.50	0.39	1.05
250-500	0.53	0.03	1.00	0.38	1/4-28 UNF	0.50	0.39	1.32
1,000	0.53	0.03	1.00	0.38	0.25-28 UNF	0.50	0.39	1.32
2,000-3,000	0.72	0.03	1.00	0.50	0.38-24 UNF	0.50	0.39	1.75
5,000	0.94	0.03	1.25	0.63	0.50-20 UNF	0.50	0.39	2.23
7,500-10,000	1.09	0.03	1.38	0.88	0.75-16 UNF	0.50	0.39	2.88

- Nonlinearity:**
5-500 lb ± 0.15% full scale
1 K-10K ± 0.20% full scale

- Hysteresis:**
5-500 lb ± 0.15% full scale
1-10 K ± 0.20% full scale

- Insulation Resistance:**
> 5,000 megohms

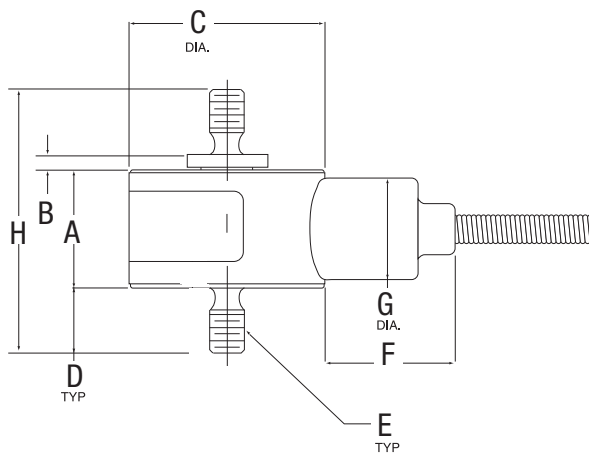
- Cable Length:**
5 ft

- Cable Color Code:**
Red +Excitation
Black -Excitation
White +Signal
Green -Signal

- Warranty:**
One-year limited warranty

Order Information

Load Rating	Part #	Est. Weight	Price
5 lb	185090	1lb	\$1,373.00
10 lb	185091	1lb	\$1,373.00
25 lb	185092	1lb	\$1,267.00
50 lb	185093	1lb	\$1,267.00
100 lb	185094	1lb	\$1,267.00
250 lb	185095	1lb	\$1,267.00
500 lb	185096	1lb	\$1,267.00
1,000 lb	185084	1lb	\$1,267.00
2,000 lb	185085	1lb	\$1,373.00
3,000 lb	185086	1lb	\$1,373.00
5,000 lb	185087	1lb	\$1,373.00
7,500 lb	185088	1lb	\$1,373.00
10,000 lb	185089	1lb	\$1,373.00



www.ricelake.com | Phone: 800-472-6703

Interface

VPG® Revere

TABLE OF CONTENTS

S-BEAMS

Page 279

363, ALLOY STEEL



S-beam type load cell with a compact and economical design. Ideally suited for scale conversions and general-purpose weighing. NTEP Certified capacities range from 100 lb to 10,000 lb; non-NTEP Certified capacity of 50 lb. Complete with 20 ft of load cell cable.



Page 280

9363, STAINLESS STEEL



A stainless steel s-beam type load cell with a compact and economical design. Ideally suited for scale conversions and general-purpose weighing. NTEP Certified capacities range from 100 lb to 10,000 lb; non-NTEP Certified capacity of 50 lb, 15,000 lb and 20,000 lb. Complete with 20 ft of load cell cable. Trimmed outputs makes installation easy.



Page 281

BSP, STAINLESS STEEL



Welded-seal stainless steel s-beam load cell designed for compression and tension. Ideal for scale conversions and general-purpose weighing. NTEP Certified capacities range from 100 lb to 5,000 lb; non-NTEP Certified capacity of 10,000 lb. Complete with 30 ft of load cell cable.



SINGLE-ENDED BEAMS

Page 282

5123, ALLOY STEEL



Low-cost, high performance, single-ended beam designed for low-profile scales and process weighing in both Legal for Trade and non-Legal for Trade applications. Capacities range from 1,000 lb to 10,000 lb. Complete with 20 ft of load cell cable.



Page 283

9123, STAINLESS STEEL



Low-cost, high performance, single-ended, stainless steel beam designed for low-profile scales and process weighing in both Legal for Trade and non-Legal for Trade applications. Capacities range from 250 lb to 20,000 lb. Complete with 20 ft of load cell cable.



Page 284

9523, STAINLESS STEEL



Single-ended beam offers both welded sealing and stainless steel construction for use in most hostile environments. Applications include platform scales and process weighing. Capacities range from 1,000 lb to 10,000 lb.



Page 285

ACB, STAINLESS STEEL



The ACB is a stainless steel, hermetically sealed, single-ended shear beam load cell utilizing a 1,000 ohm bridge. Capacities of the ACB range from 500 kg to 5,000 kg.

Page 286

9102, STAINLESS STEEL



The Model 9102 is a form, fit and function match for the RTI 5102. It is constructed of stainless steel and ideally suited for the toughest industrial applications where high accuracy and low profile are required. Capacities range from 200 lb to 2,500 lb. Complete with 10 ft of load cell cable.



VPG® Revere

SINGLE-ENDED BEAMS

Page 287

5102, ALLOY STEEL



The model 5102 is a single-ended beam load cell. 500 lb capacities and above are constructed as shear beams. Its high accuracy, low profile and redundant sealing make it well suited for use in small and medium platform scales and process applications in harsh environments. Capacities range from 50 lb to 2,500 lb. Complete with 10 ft of load cell cable.



Page 288

5723 LINK BEAM, ALLOY STEEL



High-performance single-ended link beam uses a well-proven link-loading technique. This low-cost and flexible loading method allows load movement without reading error in tanks, hoppers and platform scales. Capacities range from 1,000 lb to 10,000 lb.



Page 289

SHB, STAINLESS STEEL



The SHB model is stainless steel and features a welded seal for tough industrial environments where high accuracy and low profiles are required. Capacities range from 20 kg to 200 kg. Complete with 10 ft of load cell cable.



Page 290

SSB, STAINLESS STEEL



Rugged and precise, this single-ended beam offers welded seal protection and stainless steel construction. Designed for use in the most hostile environments. Applications include platform scales, materials testing and process weighing. NTEP Certified capacities range from 1,000 lb to 10,000 lb.



DOUBLE-ENDED BEAMS

Page 291

5103, ALLOY STEEL



Designed for truck, track and process weighing. High accuracy, low profile, tolerance to non-axial loading and redundant seal. NTEP Certified capacities range from 5,000 lb to 250,000 lb. Complete with 30 ft of load cell cable.



Page 292

9103, STAINLESS STEEL



Stainless steel double-ended beam designed for truck, track and process weighing. High accuracy, low profile, and tolerance to non-axial loading and redundant seal. Capacities range from 5,000 lb to 150,000 lb. NTEP Certified capacities range from 10,000 lb to 100,000 lb. Non-NTEP Certified in 5,000 and 150,000 lb capacities. Complete with 30 ft of load cell cable.



Page 293

5223, ALLOY STEEL



Very high-performance end-loaded, center-supported double-ended beam designed for low-profile truck and truck scales in harsh environments. Parallel link loading provides free movement in all horizontal directions with virtually no friction. Capacities range from 50,000 lb to 100,000 lb. Complete with 40 ft of load cell cable. Optional overbraid available.



Page 294

9223, STAINLESS STEEL



High-profile, high accuracy compression type load cell for truck, tank, track and hopper applications. Ideally suited for harsh environments. Each cell comes with 40 ft of load cell cable. Available in 50,000 lb and 100,000 lb capacities.



VPG® Revere

DOUBLE-ENDED BEAMS

Page 295

9803, STAINLESS STEEL



This center loaded double-ended beam is the newest addition to the full-line of VPG® Revere products. Featuring full stainless steel construction, this model is ideal for both truck scale and process weighing applications. Available in 50,000 lb to 100,000 lb capacities. Each unit is provided with standard 30 ft of load cell cable.



Page 296

9323, STAINLESS STEEL



Very high-performance end-loaded, center-supported double-ended beam designed for low-profile truck and truck scales in harsh environments. Parallel link loading provides free movement in all horizontal directions with virtually no friction. Available in 50,000 lb and 60,000 lb with 30 ft of load cell cable.



Page 297

9423, STAINLESS STEEL



Very high-performance end-loaded, center-supported double-ended beam designed for low-profile track and truck scales in harsh environments. Parallel link loading provides free movement in all horizontal directions with virtually no friction. Available in 50,000 lb and 60,000 lb. Complete with 30 ft of load cell cable.



COMPRESSION CANISTERS

Page 298

ASC, STAINLESS STEEL



The ASC is a stainless steel, hermetically sealed, single-column compression load cell. An IP68 rating, combined with built-in surge protection, ensures the ASC is well-protected. The ASC is OIML approved and comes with 15 m of load cell cable.



Page 299

RLC, STAINLESS STEEL



The RLC is a low profile, high performance ring torsion type load cell in stainless steel. This product is suitable for small and medium platform scales as well as process weighing. Capacities range from 0.25 T to 10 T.



Page 300

CP, STAINLESS STEEL



This welded-seal, canister cell is designed for compression service only. High-capacity transducers are built for reliability, durability and extreme precision. Compression Precision (CP) cells are recommended for most industrial applications. Single or dual bridges available for 10,000 lb to 500,000 lb capacities. Completed with 30 ft of load cell cable.



Page 301

CSP, STAINLESS STEEL



This welded-seal, stainless steel canister cell is designed for compression service only. High-capacity transducers are built for reliability, durability and extreme precision. Compression Super Precision (CSP) cells are ideal for applications where ultimate precision is needed. Single or dual bridges available for 10,000 lb only. NTEP Certified capacities range from 25,000 lb to 200,000 lb; non-NTEP Certified capacities are 10,000 lb and 500,000 lb. Complete with 30 ft of load cell cable.



Page 302

792, STAINLESS STEEL



Single-column design with low deflection and welded-seal for trouble-free operation. High-alloy steel, epoxy coated for trouble-free use in harsh environments. Capacities range from 50,000 lb to 200,000 lb. Compact and rugged.



VPG® Revere

SINGLE POINTS

Page 303

462, ALLOY STEEL



Very high-performance single-point cell designed for high-precision counter scales. Negligible error from off-center loading. Resistant to severe impact loading. Good water resistance. Capacities range from 2 lb to 250 lb. Complete with 10 ft of load cell cable.



Page 304

HPS, STAINLESS STEEL



The HPS stainless steel, welded-seal, low-profile single-point load cell is designed for bench scale and checkweigher applications in caustic/acidic environments. The HPS is insensitive to off-center loading and tolerates most severe washdowns. Capacities range from 6 kg to 100 kg. This load cell comes complete with 10 ft of load cell cable.



Page 305

HPSM, STAINLESS STEEL



Metric envelope. Low-profile single-point load cell designed for bench scale and checkweigher applications in caustic/acidic environments. Insensitive to off-center loading. Tolerates most severe washdowns. Capacities range from 6 kg to 30 kg. Includes 20 ft of load cell cable.



AXLE SCALE LOAD CELL

Page 306

AX3040, ALLOY STEEL



Constructed of alloy steel, the AX3040 is used in the AX3040 axle scale and is environmentally sealed.

Interchangeable Products

RICE LAKE WEIGHING SYSTEMS
RL20000I.....page 128

Weigh Module Available

RICE LAKE WEIGHING SYSTEMS
ITCM Isolated Tension Cell
Mount.....page 44

Specifications

Full Scale Output:
3.0 mV/V

Output Resistance:
390 (± 15) ohm

Input Resistance:
430 (± 60) ohm

Material/Finish:
High alloy, nickel plated

Temperature:
Compensated range
14°F to 104°F (-10°C to 40°C)
Operating range
0° F to 150° F (-18° C to 65° C)

Seal Type:
Environmentally sealed, IP67

Safe Overload:
150% full Scale

Rated Excitation:
5-10 VDC (15 V maximum)

Combined Error:
0.02% full Scale

Non-repeatability:
0.01% full Scale

Insulation Resistance:
5,000 megohms

Cable Length:
20 ft

Cable Color Code:
Red +Excitation
Black -Excitation
Green +Signal
White -Signal

Warranty:
One-year limited warranty

Approvals:
cFMus
NTEP

APPROVALS



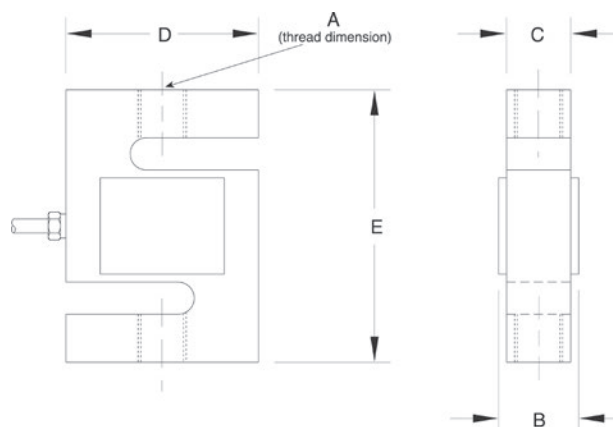
Dimensions

Picture is a representation of actual product

Rated Capacity	A	B	C	D	E
lb/in					
50-300	1/4-28 UNF	0.65	0.50	2.00	2.50
500-1,500	1/2-20 UNF	0.90	0.75	2.00	2.50
2,000	1/2-20 UNF	1.15	1.00	2.00	2.50
3,000	1/2-20 UNF	1.15	1.00	3.00	4.00
5,000-10,000	3/4-16 UNF	1.15	1.00	3.00	4.00

Order Information

Load Rating	Part #	Est. Weight	Price
NTEP Certified			
100 lb	21463	2 lb	\$312.00
200 lb	21464	2 lb	\$312.00
300 lb	21465	2 lb	\$312.00
500 lb	21466	2 lb	\$312.00
750 lb	21467	2 lb	\$312.00
1,000 lb	21468	2 lb	\$312.00
1,500 lb	21469	2 lb	\$312.00
2,000 lb	21470	2 lb	\$312.00
3,000 lb	21471	4 lb	\$312.00
5,000 lb	21472	4 lb	\$493.00
10,000 lb	21473	4 lb	\$493.00
Non-NTEP Certified			
50 lb	17043	2 lb	\$312.00





APPROVALS



Interchangeable Products

- RICE LAKE WEIGHING SYSTEMS
RL20000SS page 129
- RICE LAKE WEIGHING SYSTEMS
RL20000ST page 130

Weigh Module Available

- RICE LAKE WEIGHING SYSTEMS
ITCM Isolated Tension Cell Mount page 44

Dimensions

Picture is a representation of actual product

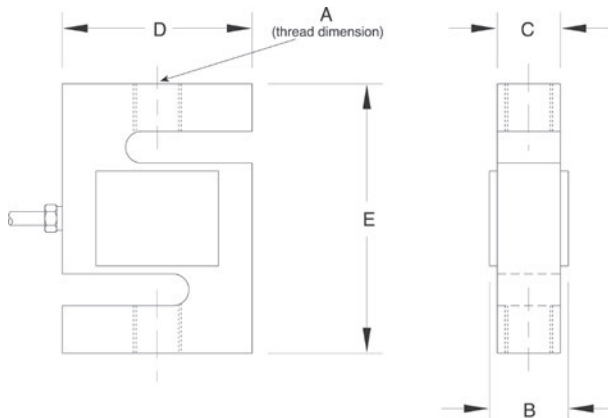
Rated Capacity	A	B	C	D	E
lb/in					
50-300	1/4-28 UNF	0.65	0.46	2.00	2.40
500-1,500	1/2-20 UNF	0.90	0.71	2.00	2.40
2,000-2,500	1/2-20 UNF	1.13	0.96	2.00	2.40
3,000	1/2-20 UNF	1.13	0.96	3.00	3.90
5,000	3/4-16 UNF	1.15	0.96	3.00	3.90
10,000	3/4-16 UNF	1.40	1.21	2.94	3.90
15,000	1-14 UNS	1.63	1.46	3.44	5.50
20,000	1 1/4-12 UNF	1.88	1.68	4.44	7.00

Order Information

Load Rating	Part #	Est. Weight	Price
NTEP Certified			
100 lb	31317	2 lb	\$312.00
200 lb	31316	2 lb	\$312.00
300 lb	31315	2 lb	\$312.00
500 lb	31314	2 lb	\$312.00
750 lb	31313	2 lb	\$312.00
1,000 lb	31312	2 lb	\$312.00
1,500 lb	31311	2 lb	\$312.00
2,000 lb	31310	2 lb	\$312.00
2,500 lb	98875	3 lb	\$312.00
3,000 lb	31309	4 lb	\$418.00
5,000 lb	31318	4 lb	\$503.00
10,000 lb	31308	4 lb	\$583.00
Non-NTEP Certified			
50 lb	17076	2 lb	\$312.00
15,000 lb	165260	7 lb	\$715.00
20,000 lb	165261	13 lb	\$948.00

Specifications

- Full Scale Output:**
3.0 mV/V
- Output Resistance:**
350 (± 3.5) ohm
- Input Resistance:**
390 (± 15) ohm
- Material/Finish:**
Stainless steel
- Temperature:**
Compensated range
14°F to 104°F (-10°C to 40°C)
Operating range
0° F to 150° F (-18° C to 65° C)
- Seal Type:**
Environmentally sealed, IP67
- Safe Overload:**
150% full scale
- Rated Excitation:**
5- 10 VDC (15 V maximum)
- Combined Error:**
0.025% full scale
- Non-repeatability:**
0.01% full scale
- Insulation Resistance:**
5,000 megohms
- Cable Length:**
20 ft
- Cable Color Code:**
Red +Excitation
Black -Excitation
Green +Signal
White -Signal
- Warranty:**
One-year limited warranty
- Approvals:**
cFMus
NTEP



Weigh Module Available

RICE LAKE WEIGHING SYSTEMS
ITCM Isolated Tension Cell Mount.....page 44

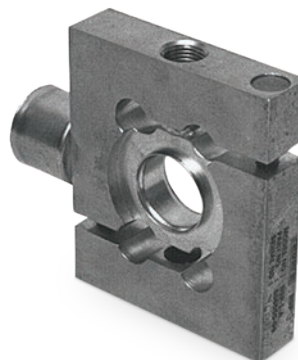
Specifications

- Full Scale Output:**
3.0 mV/V
- Output Resistance:**
390 (± 15) ohm
- Input Resistance:**
390 (± 15) ohm
- Material/Finish:**
Stainless steel
- Temperature:**
Compensated range
14°F to 104°F (-10°C to 40°C)
Operating range
0° F to 150° F (-18° C to 65° C)
- Seal Type:**
Welded-seal, IP67
- Safe Overload:**
150% full scale
- Rated Excitation:**
5-10 VDC (15 V maximum)
- Combined Error:**
0.03% full scale
- Non Repeatability:**
0.01% full scale
- Insulation Resistance:**
5,000 megohms
- Cable Length:**
30 ft
- Cable Color Code:**
Green +Excitation
Black -Excitation
White +Signal
Red -Signal

Warranty:
One-year limited warranty

Approvals:
cFMus
NTEP

APPROVALS



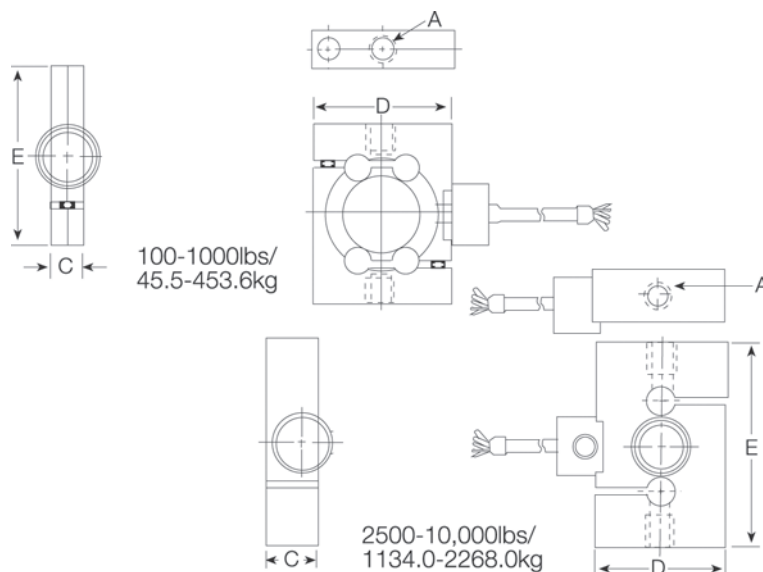
Dimensions

Picture is a representation of actual product

Rated Capacity	A	C	D	E
lb/in				
100-250	3/8-24 UNF	0.94	2.48	3.32
500	1/2-20 UNF	0.71	2.44	3.50
1,000	1/2-20 UNF	0.71	2.44	3.50
2,500	1/2-20 UNF	0.95	2.44	3.75
5,000-10,000	1-14 UNS	1.44	2.44	4.75

Order Information

Load Rating	Part #	Est. Weight	Price
NTEP Certified			
100 lb	21447	3 lb	\$948.00
250 lb	21448	3 lb	\$948.00
500 lb	21449	3 lb	\$948.00
1,000 lb	21450	3 lb	\$948.00
2,500 lb	21451	4 lb	\$980.00
5,000 lb	21452	6 lb	\$1,007.00
Non-NTEP Certified			
10,000 lb	17032	6 lb	\$1,007.00





APPROVALS



Interchangeable Products

- RICE LAKE WEIGHING SYSTEMS
RL30000I..... page 142
- VPG® TEDEA-HUNTLEIGH
3411..... page 342
- ARTECH®
30310..... —

Weigh Module Available

- RICE LAKE WEIGHING SYSTEMS
RL50210 TA..... page 50
- RICE LAKE WEIGHING SYSTEMS
RL1800 Series..... page 62

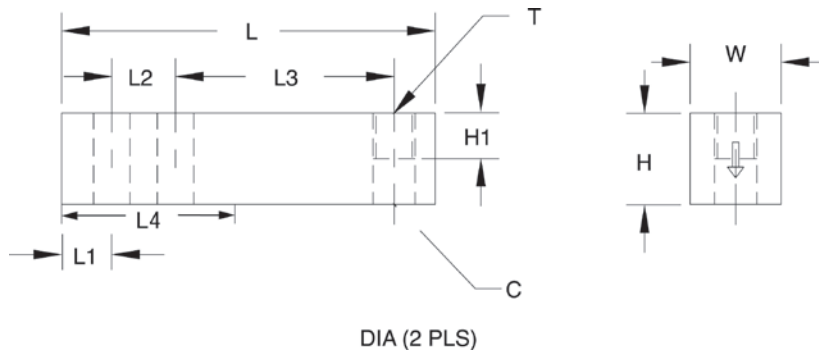
Dimensions

Picture is a representation of actual product

Rated Capacity	C	H	H1	L	L1	L2	L3	L4	T	W
1,000-4,000	0.53	1.25	0.62	5.12	0.62	1.00	3.00	2.25	1/2-20 UNF	1.25
5,000-10,000	0.78	1.50	0.75	6.75	0.75	1.50	3.75	3.12	3/4-16 UNF	1.50

Order Information

Load Rating	Part #	Est. Weight	Price
1,000 lb	21516	3 lb	\$312.00
2,500 lb	21517	3 lb	\$312.00
4,000 lb	21518	3 lb	\$312.00
5,000 lb	21519	8 lb	\$398.00
10,000 lb	21520	8 lb	\$398.00



Specifications

- Full Scale Output:**
3.0 mV/V
- Output Resistance:**
352 (± 3) ohm
- Input Resistance:**
350 (± 7) ohm
- Material/Finish:**
Alloy steel, nickel plated
- Temperature:**
Compensated range
14°F to 104°F (-10°C to 40°C)
Operating range
0° F to 150° F (-18° C to 65° C)
- Seal Type:**
Environmentally sealed, IP67
- Safe Overload:**
150% full scale
- Safe Sideload:**
100% full scale
- Rated Excitation:**
5-10 VDC (15 V maximum)
- Combined Error:**
0.025% full scale
- Non-repeatability:**
0.01% full scale
- Insulation Resistance:**
1,000 megohms
- Deflection at Capacity:**
1,000 lb=0.016 in
2,500 lb=0.03 in
4,000 lb=0.04 in
5,000 lb=0.035 in
10,000 lb=0.042 in
- Cable Length:**
20 ft
- Cable Color Code:**
Red +Excitation
Black -Excitation
Green +Signal
White -Signal
- Warranty:**
One-year limited warranty
- Approvals:**
cFMus
NTEP

Stainless Steel, Environmentally Sealed, NTEP Certified 1:5,000 Class III Multiple Cell, IP67

4,000lb-20,000lb

Pictured with integral foot for 250lb-2,000lb

Picture is a representation of actual product

Interchangeable Products

RICE LAKE WEIGHING SYSTEMS
RL39123** page 145

Weigh Module Available

RICE LAKE WEIGHING SYSTEMS
RL50210TA..... page 50

RICE LAKE WEIGHING SYSTEMS
RL1800 Series page 62

** Non-NTEP Certified

APPROVALS



Specifications

- Full Scale Output:**
3.0 mV/V
- Output Resistance:**
350 (± 3.5) ohm
- Input Resistance:**
350 (± 3.5) ohm
- Material/Finish:**
Stainless steel
- Temperature:**
Compensated range
0°F to 150°F (-18°C to 65°C)
Operating range
0° F to 150° F (-18° C to 65° C)

Seal Type:
Environmentally sealed, IP67

Safe Overload:
150% full scale

Safe Sideload:
100% full scale

Rated Excitation:
5- 10 VDC (15 V maximum)

Combined Error:
0.02% full scale

Non-repeatability:
0.01% full scale

Insulation Resistance:
5,000 megohms

Cable Length:
20 ft

Cable Color Code:
Red +Excitation
Black -Excitation
Green +Signal
White -Signal

Warranty:
One-year limited warranty

Approvals:
cFMus
NTEP

Dimensions

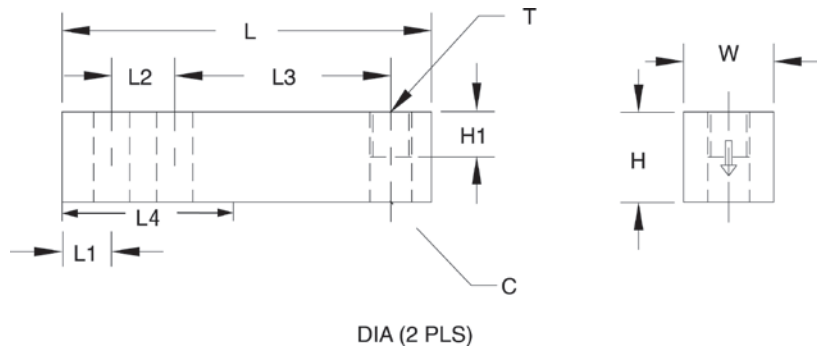
Rated Capacity	C	H	H1	L	L1	L2	L3	L4	T	W
lb/in										
250-5,000 SE	0.53	1.23	0.67	5.12	0.62	1.00	3.00	2.25	1/2-20 UNF	1.23
5,000-15,000	0.78	1.45	0.70	6.75	0.75	1.50	3.75	3.12	3/4-16 UNF	1.50
20,000	1.06	1.95	0.98	8.75	1.00	2.00	4.75	4.00	1-12 UNF	1.95

Order Information

Load Rating	Part #	Est. Weight	Price
NTEP Certified			
250 lb*	69380	3 lb	\$312.00
500 lb*	69381	3 lb	\$312.00
1,000 lb*	69382	3 lb	\$312.00
2,000 lb*	99314	3 lb	\$295.00
2,500 lb	69383	3 lb	\$312.00
4,000 lb	69384	3 lb	\$312.00
5,000 lb SE	69385	3 lb	\$312.00
5,000 lb	69386	8 lb	\$398.00
10,000 lb	69387	8 lb	\$398.00
15,000 lb	69388	8 lb	\$683.00
20,000 lb	69389	9 lb	\$683.00
Conduit Adapters (must be factory installed to maintain warranty)			
1/4-18 NPT	31534	1 lb	\$37.00

SE=Small envelope

** Load cell has an integral foot*





APPROVALS



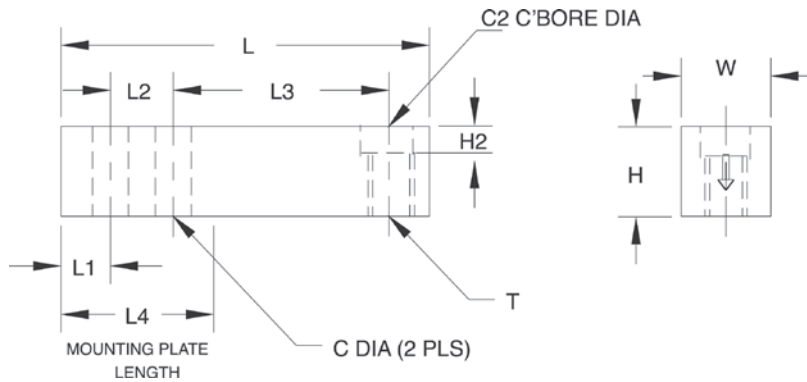
Dimensions

Picture is a representation of actual product

Rated Capacity	C	C2	H	H2	L	L1	L2	L3	L4	T	W
lb/in											
1,000-4,000	0.53	0.81	1.25	0.56	6.12	1.62	1.00	3.00	3.38	1/2-20 UNF	1.25
5,000-10,000	0.78	1.19	1.50	0.59	7.71	1.71	1.50	3.75	4.08	3/4-16 UNF	1.50

Order Information

Load Rating	Part #	Est. Weight	Price
1,000 lb	17221	3 lb	\$577.00
2,500 lb	17222	3 lb	\$577.00
4,000 lb	17223	3 lb	\$577.00
5,000 lb	17224	5 lb	\$636.00
10,000 lb	17225	5 lb	\$662.00



Specifications

Full Scale Output:
3.0 mV/V

Output Resistance:
350 (± 3.5) ohm

Input Resistance:
350 (± 3.5) ohm

Material/Finish:
Stainless steel

Temperature:
Operating range
0° F to 150° F (-18° C to 65° C)

Seal Type:
Welded-seal, IP67

Safe Overload:
150% full scale

Safe Sideload:
100% full scale

Rated Excitation:
5- 10 VDC (15 V maximum)

Non-repeatability:
0.01% full scale

Combined Error:
0.03% full scale

Insulation Resistance:
5,000 megohms

Deflection at Capacity:
1,000 lb=0.016 in
2,500 lb=0.03 in
4,000 lb=0.041 in
5,000 lb=0.035 in
10,000 lb=0.042 in

Cable Length:
20 ft

Cable Color Code:
Red +Excitation
Black -Excitation
Green +Signal
White -Signal

Warranty:
One-year limited warranty

Approvals:
cFMus

Specifications

Full Scale Output:

2mV/V

Output Resistance:
1,000 (± 10) ohms
Input Resistance:
1,000 (± 50) ohms
Material/Finish:

Stainless steel

Temperature:

Compensated range

14° F to 104° F (-10° C to 40° C)

Operating range

0° F to 150° F (-18° C to 65° C)

Seal Type:

Hermetically sealed, IP68

Safe Overload:

150% full scale

Rated Excitation:

5-12 VDC

Combined Error:

0.02% full scale

Insulation Resistance:

5,000 megohms

Cable Length:

500-1,000 kg=3 m

2,000-5,000 kg=6 m

Cable Color Code:

Green +Excitation

Black -Excitation

White +Signal

Red -Signal

Yellow +Sense

Blue -Sense

Warranty:

One-year limited warranty

Approvals:

cFMus

OIML

APPROVALS



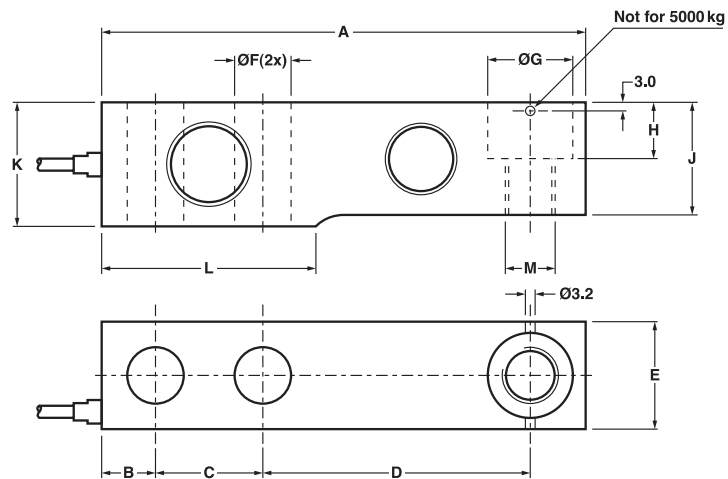
Dimensions

Picture is a representation of actual product

Rated Capacity	A	B	C	D	E	F	G	H	J	K	L	M
kg/mm												
500	130.0	15.5	25.4	76.2	31.8	13.0	20.5	14.2	26	31.8	57.1	M12
1,000	130.0	15.5	25.4	76.2	31.8	13.0	20.5	14.2	28	31.8	57.1	M12
2,000	130.0	15.5	25.4	76.2	31.8	13.0	20.5	14.2	32	35.8	57.1	M12
5,000	172.0	19.1	38.1	95.3	38.0	20.5	30.2	20.0	40	44.0	76.2	M20

Order Information

Load Rating	Part #	Est. Weight	Price
500 kg	166750	2 lb	\$344.00
1,000 kg	166751	2 lb	\$344.00
2,000 kg	166752	3 lb	\$344.00
5,000 kg	166753	4 lb	\$477.00





APPROVALS



Interchangeable Products

VPG® REVERE

5102page 287

Specifications

Full Scale Output:

2.0 mV/V

Output Resistance:

350 (± 3.5) ohm

Input Resistance:

350 (± 3.5) ohm

Material/Finish:

Stainless steel

Temperature:

Compensated range

14°F to 104°F (-10°C to 40° C)

Operating range

0° F to 150° F (-18° C to 65° C)

Seal Type:

Welded-seal, IP66/68

Safe Overload:

150% full scale

Rated Excitation:

5- 10 VDC (15 V maximum)

Combined Error:

0.03% full scale

Non-repeatability:

0.01% full scale

Insulation Resistance:

5,000 megohms

Deflection at Capacity:

200 lb=0.020 in

500-2,500 lb=0.026 in

Cable Length:

10 ft

Cable Color Code:

Red +Excitation

Black -Excitation

Green +Signal

White -Signal

Warranty:

One-year limited warranty

Approvals:

cFMus

NTEP

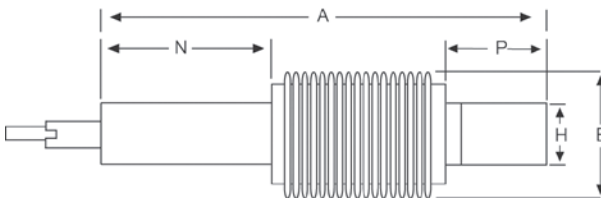
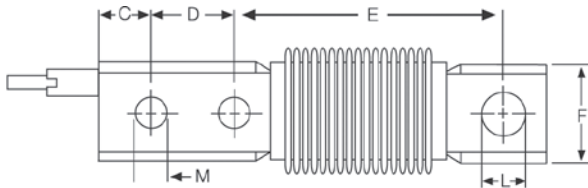
Dimensions

Picture is a representation of actual product

Rated Capacity	A	B	C	D	E	F	H	L	M	N	P
lb/in											
200	5.00	1.53	0.38	0.62	3.50	1.22	0.75	0.39	0.27	1.50	1.25
500-1,000	5.38	1.53	0.62	1.00	3.25	1.22	0.75	0.40	0.40	2.07	1.20
2,500	5.38	1.53	0.62	1.00	3.25	1.22	0.75	0.53	0.40	2.07	1.20

Order Information

Load Rating	Part #	Est. Weight	Price
200 lb	40917	2 lb	\$842.00
500 lb	40918	2 lb	\$842.00
1,000 lb	40919	2 lb	\$842.00
2,500 lb	40920	2 lb	\$842.00



Interchangeable Products

VPG® REVERE

9102 page 286

Specifications

Full Scale Output:

2.0 mV/V

Output Resistance:

350 (± 3.5) ohm

Input Resistance:

350 (± 3.5) ohm

Material/Finish:

High-alloy steel, nickel plated

Temperature:

Operating range
0° F to 150° F (-18° C to 65° C)

Seal Type:

Environmentally sealed with neoprene sleeve, IP67

Safe Overload:

150% full scale

Rated Excitation:

5-10 VDC (15 V maximum)

Combined Error:

0.03% full scale

Non-repeatability:

0.01% full scale

Insulation Resistance:

5,000 megohms

Deflection at Capacity:

50-200 lb=0.020 in
500-2,500 lb=0.026 in

Cable Length:

10 ft

Cable Color Code:

Red +Excitation
Black -Excitation
Green +Signal
White -Signal

Warranty:

One-year limited warranty

Approvals:

cFMus



APPROVALS



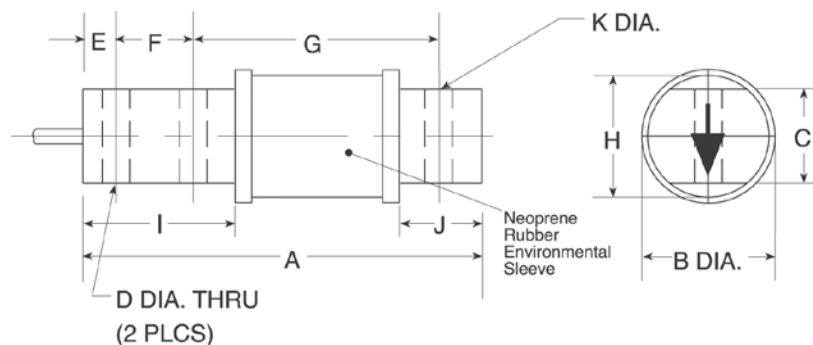
Dimensions

Picture is a representation of actual product

Rated Capacity	A	B	C	D	E	F	G	H	I	J	K
lb/in											
50-200	5.00	1.25	0.75	0.27	0.38	0.62	3.50	1.23	1.50	1.25	0.39
500-1,000	5.38	1.25	0.75	0.41	0.62	1.00	3.25	1.23	2.07	1.20	0.41
2,500	5.38	1.25	0.75	0.41	0.62	1.00	3.25	1.23	2.07	1.20	0.53

Order Information

Load Rating	Part #	Est. Weight	Price
50 lb	21709	2 lb	\$514.00
100 lb	21710	2 lb	\$514.00
200 lb	21711	2 lb	\$514.00
500 lb	21712	2 lb	\$514.00
1,000 lb	21713	2 lb	\$535.00
2,500 lb	21714	2 lb	\$535.00





APPROVALS



Interchangeable Products

ARTECH®
30410.....-

Specifications

- Full Scale Output:**
3.0 mV/V
- Output Resistance:**
350 (± 3.5) ohm
- Input Resistance:**
350 (± 3.5) ohm
- Material/Finish:**
High-alloy steel
- Temperature:**
Compensated range
14°F to 104°F (-10°C to 40°C)
Operating range
0° F to 150° F (-18° C to 65° C)
- Seal Type:**
Environmentally sealed, IP67
- Safe Overload:**
150% full scale
- Safe Sideload:**
100% full scale
- Rated Excitation:**
5- 10 VAC/DC (15 V maximum)
- Non-repeatability:**
0.01% full scale
- Combined Error:**
0.02% full scale

- Insulation Resistance:**
5,000 megohms
- Deflection at Capacity:**
1,000 lb=0.016 in
2,500 lb=0.03 in
4,000 lb=0.04 in
5,000 lb=0.035 in
10,000 lb=0.042 in

Cable Length:
20 ft

Cable Color Code:
 Red +Excitation
 Black -Excitation
 Green +Signal
 White -Signal

Warranty:
One-year limited warranty

Approvals:
 cFMus
 NTEP

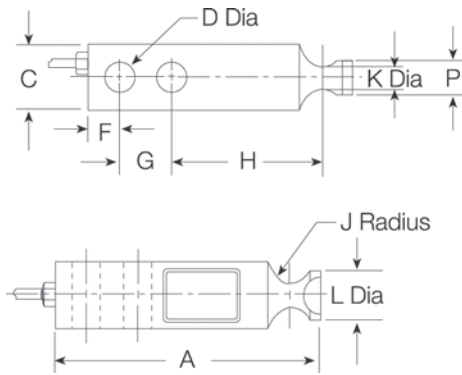
Dimensions

Picture is a representation of actual product

Rated Capacity	A	C	D	F	G	H	J	K	L	P
lb/in										
1,000-4,000	5.12	1.25	0.53	0.62	1.00	3.00	0.44	0.60	0.92	0.62
5,000-10,000	6.75	1.50	0.78	0.75	1.50	3.75	0.56	0.86	1.20	0.90

Order Information

Load Rating	Part #	Est. Weight	Price
1,000 lb	31396	3 lb	\$334.00
1,500 lb	79713	3 lb	\$334.00
2,500 lb	31397	3 lb	\$365.00
4,000 lb	31398	3 lb	\$365.00
5,000 lb	31399	4 lb	\$503.00
7,500 lb	85306	4 lb	\$503.00
10,000 lb	31400	4 lb	\$503.00



Interchangeable Products

RICE LAKE WEIGHING SYSTEMS

RLHBB..... —

HBM®

Z6..... page 262

VPG® TEDEA-HUNTLEIGH

355..... page 345

Specifications

Full Scale Output:
2.0 mV/V

Output Resistance:
350 (± 3.5) ohm

Input Resistance:
460 (± 3.5) ohm

Material/Finish:
Stainless steel

Temperature:
Compensated range
14°F to 104°F (-10°C to 40° C)
Operating range
0° F to 150° F (-18° C to 65° C)

Seal Type:
Welded-seal, IP67

Safe Overload:
150% full scale

Rated Excitation:
5-10 VDC (15 V maximum)

Combined Error:
0.02% full scale

Non-repeatability:
0.01% full scale

Insulation Resistance:
5,000 megohms

Deflection at Capacity:
0.4 mm

Cable Length:
10 ft

Cable Color Code:
Green +Excitation
Black -Excitation
White +Signal
Red -Signal

Warranty:
One-year limited warranty

Approvals:
cFMus
NTEP

APPROVALS



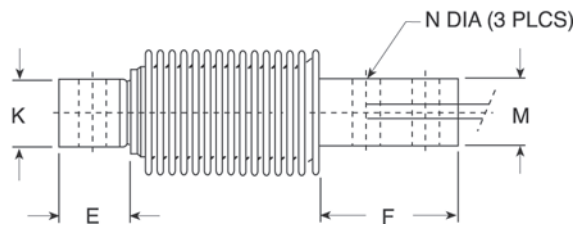
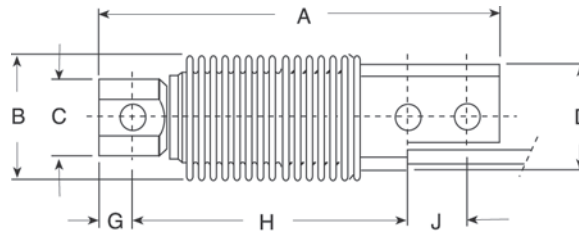
Dimensions

Picture is a representation of actual product

Rated Capacity	A	B	C	D	E	F	G	H	J	K	M	N
kg/mm												
20-200	120.0	38.0	22.9	31.7	21.2	42.0	10.0	82.0	18.0	20.0	20.0	8.20

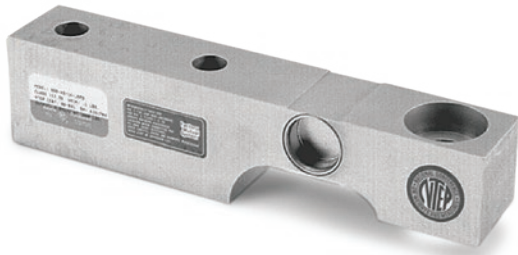
Order Information

Load Rating	Part #	Est. Weight	Price
20 kg	28801	2 lb	\$455.00
50 kg	28802	2 lb	\$455.00
100 kg	28803	2 lb	\$455.00
200 kg	28804	2 lb	\$455.00



SSB

Stainless Steel, Welded Seal, NTEP Certified 1:10,000 Class III L Single Cell, IP67



APPROVALS



Interchangeable Products

RICE LAKE WEIGHING SYSTEMS
RLSSB.....page 151
 HBM®
SB3.....—

Weigh Module Available

RICE LAKE WEIGHING SYSTEMS
RL1900 Series..... page 66

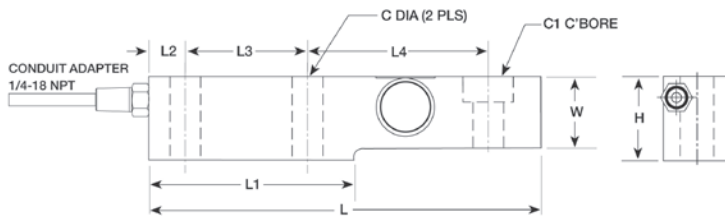
Dimensions

Picture is a representation of actual product

Rated Capacity	C	W	C1	H	L	L1	L2	L3	L4	CONDUIT ADAPTER
lb/in										
1,000-5,000	0.53	1.44	1.19 × 0.56 DP	1.88	8.00	4.00	0.75	2.50	3.87	1/4-18NPT
10,000	0.88	1.88	1.63 × 0.62 DP	2.75	9.25	4.62	0.81	2.62	4.87	1/4-18NPT

Order Information

Load Rating	Part #	Est. Weight	Price
1,000 lb	21538	5 lb	\$726.00
2,000 lb	21539	5 lb	\$726.00
5,000 lb	21540	5 lb	\$726.00
10,000 lb	21541	10 lb	\$805.00



Specifications

Full Scale Output:

2.0 mV/V

Output Resistance:

350 (± 3.5) ohm

Input Resistance:

350 (± 3.5) ohm

Material/Finish:

Stainless steel

Temperature:

Compensated range
 14°F to 104°F (-10°C to 40°C)
 Operating range
 0° F to 150° F (-18° C to 65° C)

Seal Type:

Welded-seal, IP67

Safe Overload:

150% full scale

Safe Sideload:

100% full scale

Rated Excitation:

5- 10 VDC (15 V maximum)

Combined Error:

0.02% full scale

Non-repeatability:

0.01% full scale

Insulation Resistance:

5,000 megohms

Deflection at Capacity:

0.018 in

Cable Length:

15 ft

Cable Color Code:

Green +Excitation
 Black -Excitation
 White +Signal
 Red -Signal

Warranty:

One-year limited warranty

Approvals:

cFMus
 NTEP

Interchangeable Products

RICE LAKE WEIGHING SYSTEMS

RL70000..... page 163

RL72020..... page 159

Weigh Module Available

RICE LAKE WEIGHING SYSTEMS

EZ Mount 1..... page 90

Specifications

Full Scale Output:
3.0 mV/V

Output Resistance:
700 (± 7) ohm

Input Resistance:
700 (± 7) ohm

Material/Finish:
High-alloy steel, nickel plated

Temperature:
Compensated range
14°F to 104°F (-10°C to 40°C)
Operating range
0° F to 150° F (-18° C to 65° C)

Seal Type:
Environmentally sealed, IP67

Safe Overload:
150% full scale

Safe Sideload:
100% full scale

Rated Excitation:
5-10 VDC (15 V maximum)

Non-repeatability:
0.01% full scale

Combined Error:
0.025% full scale

Insulation Resistance:
5,000 megohms

Deflection at Capacity:
5,000 lb=0.02 in
10,000 lb=0.025 in
20,000 lb=0.042 in
30,000-50,000 lb=0.02 in
60,000 lb=0.025 in
100,000-150,000 lb=0.02 in
200,000-250,000 lb=0.035 in

Cable Length:
30 ft

Cable Diameter:
0.295 in polyurethane jacket

Cable Color Code:
Red +Excitation
Black -Excitation
Green +Signal
White -Signal

Warranty:
One-year limited warranty

Approvals:
cFMus
NTEP

APPROVALS



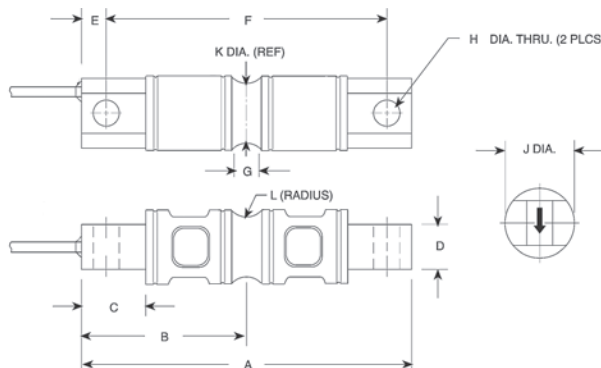
Dimensions

Picture is a representation of actual product

Rated Capacity	A	B	C	D	E	F	G	H	J	K	L
lb/in											
5,000-10,000	8.12	4.06	1.44	1.12	0.62	6.87	0.62	0.65	1.70	1.48	0.50
20,000	8.12	4.06	1.44	1.12	0.62	6.87	0.84	0.65	1.95	1.48	0.50
30,000-75,000	10.25	5.12	1.88	2.37	0.88	8.50	1.00	1.06	3.00	2.73	1.00
100,000	11.25	5.62	1.88	2.50	0.88	9.50	1.00	1.06	3.50	3.24	1.50
150,000	11.25	5.62	1.88	2.80	0.88	9.50	1.25	1.06	3.90	3.64	1.50
200,000-250,000	16.10	8.05	3.05	4.60	1.55	13.00	1.30	1.55	5.375	5.17	2.00

Order Information

Load Rating	Part #	Est. Weight	Price
5,000 lb	34494	5 lb	\$694.00
10,000 lb	34495	5 lb	\$694.00
20,000 lb	34496	6 lb	\$694.00
30,000 lb	34497	19 lb	\$800.00
40,000 lb	34498	19 lb	\$800.00
50,000 lb	34499	19 lb	\$895.00
60,000 lb	34500	19 lb	\$895.00
75,000 lb	159506	19 lb	\$895.00
100,000 lb	34501	30 lb	\$1,563.00
150,000 lb	17292	35 lb	\$1,563.00
200,000 lb	17293	46 lb	\$2,940.00
250,000 lb	17294	92 lb	\$2,940.00





APPROVALS



Interchangeable Products

- RICE LAKE WEIGHING SYSTEMS
- RL70000SS** page 165
- RL72020SS**..... page 160

Weigh Module Available

- RICE LAKE WEIGHING SYSTEMS
- EZ Mount 1**..... page 90

Specifications

- Full Scale Output:**
3.0 mV/V
- Output Resistance:**
700 (± 7) ohm
- Input Resistance:**
700 (± 7) ohm
- Material/Finish:**
Stainless steel
- Temperature:**
Compensated range
14°F to 104°F (-10°C to 40°C)
Operating range
0° F to 150° F (-18° C to 65° C)

Seal Type:
Environmentally sealed, IP67

Safe Overload:
150% full scale

Safe Sideload:
100% full scale

Rated Excitation:
5-10 VDC (15 V maximum)

Non-repeatability:
0.02% full scale

Combined Error:
0.03% full scale

Insulation Resistance:
5,000 megohms

Deflection at Capacity:
5,000 lb=0.02 in
10,000 lb=0.025 in
20,000 lb=0.042 in
30,000-50,000 lb=0.02 in
60,000 lb=0.025 in
100,000-150,000 lb=0.02 in

Cable Length:
30 ft

Cable Diameter:
0.295 in polyurethane jacket

Cable Color Code:
Red +Excitation
Black -Excitation
Green +Signal
White -Signal

Warranty:
One-year limited warranty

Approvals:
cFMus
NTEP

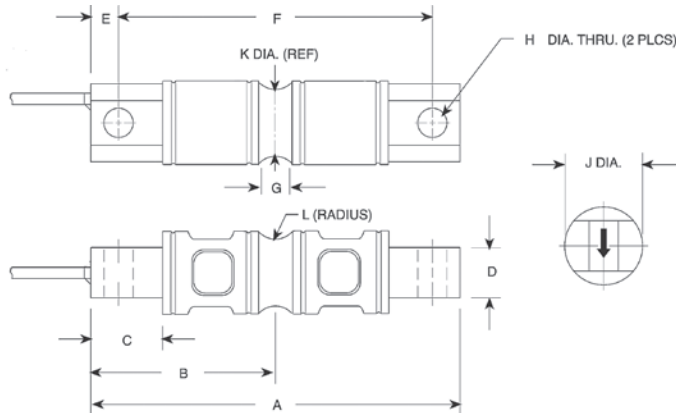
Dimensions

Picture is a representation of actual product

Rated Capacity	A	B	C	D	E	F	G	H	J	K	L
lb/in											
5,000-10,000	8.12	4.06	1.44	1.12	0.62	6.88	0.62	0.66	1.70	1.48	0.50
20,000	8.12	4.06	1.44	1.12	0.62	6.88	0.84	0.66	1.95	1.48	0.50
30,000-60,000	10.25	5.12	1.88	2.37	0.88	8.50	1.00	1.06	3.00	2.73	1.00
100,000	11.25	5.62	1.88	2.50	0.88	9.50	1.00	1.06	3.50	3.24	1.50
150,000	11.25	5.62	1.88	2.80	0.88	9.50	1.25	1.06	3.90	3.64	1.50

Order Information

Load Rating	Part #	Est. Weight	Price
NTEP Certified			
10,000 lb	17329	5 lb	\$820.00
20,000 lb	17330	5 lb	\$820.00
30,000 lb	17331	19 lb	\$901.00
40,000 lb	17332	19 lb	\$901.00
50,000 lb	17333	19 lb	\$1,007.00
60,000 lb	17334	19 lb	\$1,007.00
100,000 lb	17335	30 lb	\$1,960.00
Non-NTEP Certified			
5,000 lb	17328	5 lb	\$795.00
150,000 lb	17336	30 lb	\$2,008.00
Conduit Adapter Kit (must be factory installed to maintain warranty)			
3/8-24 to 1/4-18NPT	31534	1lb	\$37.00
5/8-18UNF to 1/2-14 NPT	31535	1lb	\$37.00

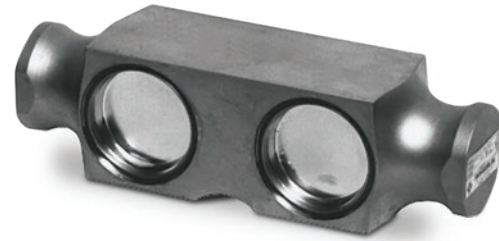


Interchangeable Products

RICE LAKE WEIGHING SYSTEMS
RL75223 page 176
 THURMAN®
TSC 800..... —

Weigh Module Available

RICE LAKE WEIGHING SYSTEMS
Translink™ page 108



APPROVALS



Specifications

Full Scale Output:

3.0 mV/V

Output Resistance:

700 (± 7) ohm

Input Resistance:

700 (± 7) ohm

Material/Finish:

High-alloy steel, nickel plated

Temperature:

Compensated range
 14°F to 104°F (-10°C to 40°C)
 Operating range
 0° F to 150° F (-18° C to 65° C)

Seal Type:

Welded-seal, IP67
 (Conduit is recommended for maximum protection against the ingress of water and moisture through the cable entry)

Safe Overload:

150% full scale

Safe Sideload:

100% full scale

Rated Excitation:

5-10 VDC (20 V maximum)

Combined Error:

0.025% full scale

Non-repeatability:

0.01% full scale

Insulation Resistance:

5,000 megohms

Deflection at Capacity:

50,000 lb=0.018 in
 65,000 lb=0.022 in
 100,000 lb=0.034 in

Cable Length:

40 ft

Cable Diameter:

0.295 in polyurethane jacket

Cable Color Code:

Red +Excitation
 Black -Excitation
 Green +Signal
 White -Signal

Warranty:

One-year limited warranty

Approvals:

cFMus
 NTEP

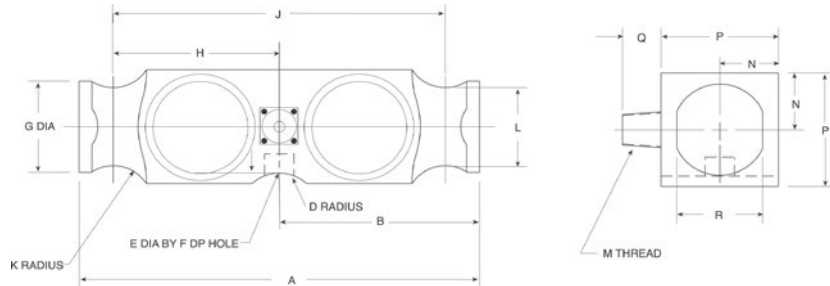
Dimensions

Picture is a representation of actual product

Rated Capacity	A	B	D	E	F	G	H	J	K	L	M	N	P	Q	R
50,000-65,000	10.25	5.12	1.00	0.75	0.78	2.40	5.13	8.50	1.00	2.06	1/2-14 NPT	1.50	3.00	1.03	2.20
100,000	10.25	5.12	1.00	—	—	2.40	5.13	8.50	1.00	2.06	1/2-14 NPT	1.50	3.00	1.03	2.20

Order Information

Load Rating	Part #	Est. Weight	Price
50,000 lb	21605	22 lb	\$901.00
65,000 lb	21606	22 lb	\$901.00
100,000 lb	21607	22 lb	\$1,160.00
Overbraided Cable			
50,000 lb	101121	24 lb	\$948.00
65,000 lb	101122	24 lb	\$948.00
100,000 lb	101123	24 lb	\$1,266.00





APPROVALS



Weigh Module Available

RICE LAKE WEIGHING SYSTEMS
Translink™page 108

Specifications

- Full Scale Output:**
3.0 mV/V
- Output Resistance:**
700 (± 7) ohm
- Input Resistance:**
700 (± 7) ohm
- Material/Finish:**
Stainless steel
- Temperature:**
Compensated range
14°F to 104°F (-10°C to 40°C)
Operating range
0° F to 150° F (-18° C to 65° C)

Dimensions

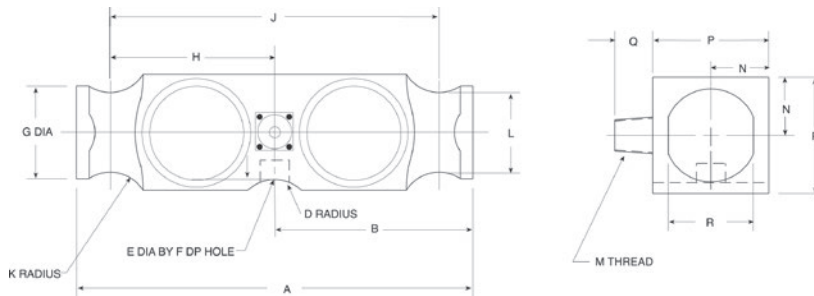
Picture is a representation of actual product

Rated Capacity	A	B	D	E	F	G	H	J	K	L	M	N	P	Q	R
lb/in															
50,000-125,000	10.25	5.12	1.00	0.75	0.78	2.40	5.13	8.50	1.00	2.06	1/2-14 NPT	1.50	2.94	1.03	2.20

Order Information

Load Rating	Part #	Est. Weight	Price
50,000 lb	84150	22 lb	\$1,055.00
65,000 lb	84151	22 lb	\$1,055.00
100,000 lb	84152	22 lb	\$1,394.00
125,000 lb	84153	22 lb	\$1,394.00

- Seal Type:**
Environmentally sealed, IP67
- Safe Overload:**
150% full scale
- Safe Sideload:**
100% full scale
- Rated Excitation:**
5- 10 VDC (20 V maximum)
- Non-repeatability:**
0.01% full scale
- Combined Error:**
0.02% full scale
- Insulation Resistance:**
5,000 megohms
- Deflection at Capacity:**
50,000 lb=0.018 in
65,000 lb=0.022 in
100,000 lb=0.034 in
- Cable Length:**
40 ft
- Cable Diameter:**
0.295 in polyurethane jacket
- Cable Color Code:**
Red +Excitation
Black -Excitation
Green +Signal
White -Signal
- Warranty:**
One-year limited warranty
- Approvals:**
cFMus
NTEP

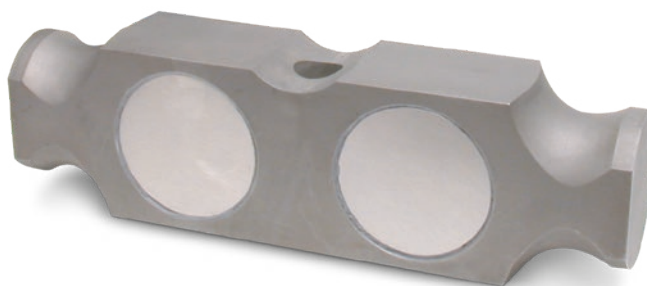


Interchangeable Products

- NV TECHNOLOGY®
- BLC-2-XX-N**.....-
- THURMAN®
- 10088970A-50K**.....-

Specifications

- Full Scale Output:**
3.0 mV/V
- Output Resistance:**
700 (± 3.5) ohm
- Input Resistance:**
700 (± 3.5) ohm
- Material/Finish:**
Stainless steel
- Temperature:**
Compensated range
14°F to 104°F (-10°C to 40°C)
Operating range
0° F to 150° F (-18° C to 65° C)
- Seal Type:**
Environmentally sealed, IP67
- Safe Overload:**
150% full scale
- Safe Sideload:**
100% full scale
- Rated Excitation:**
5- 10 VDC (15 V maximum)
- Non-repeatability:**
0.01% full scale
- Combined Error:**
0.02% full scale
- Insulation Resistance:**
5,000 megohms
- Cable Length:**
30 ft
- Cable Diameter:**
0.295 in polyurethane jacket
- Cable Color Code:**
Red +Excitation
Black -Excitation
Green +Signal
White -Signal
- Warranty:**
One-year limited warranty
- Approvals:**
cFMus
NTEP



APPROVALS



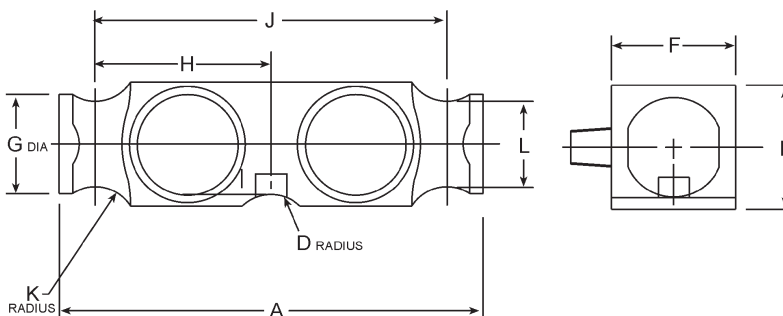
Dimensions

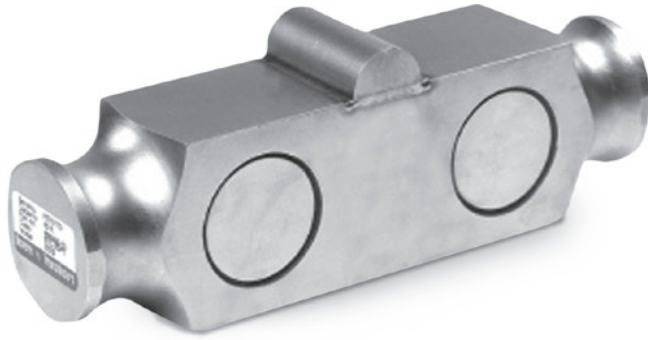
Picture is a representation of actual product

Rated Capacity	A	D	F	G	H	J	K	L	P
lb/in									
50,000-100,000	10.25	1.00	1.94	2.40	4.25	8.50	1.00	2.06	2.94

Order Information

Load Rating	Part #	Est. Weight	Price
50,000 lb	69489	17 lb	\$1,000.00
65,000 lb	69490	17 lb	\$1,000.00
100,000 lb	124390	17 lb	\$1,000.00





APPROVALS



Interchangeable Products

NV TECHNOLOGY®
BLC-1-N-WP.....-

Specifications

- Full Scale Output:**
3.0 mV/V
- Output Resistance:**
700 (± 7) ohm
- Input Resistance:**
700 (± 7) ohm
- Material/Finish:**
Stainless steel
- Temperature:**
Compensated range
14°F to 104°F (-10°C to 40°C)
Operating range
0° F to 150° F (-18° C to 65° C)
- Seal Type:**
Environmentally sealed, IP67
- Safe Overload:**
150% full scale
- Safe Sideload:**
100% full scale
- Rated Excitation:**
5- 10 VDC (15 V maximum)
- Non-repeatability:**
0.01% full scale
- Combined Error:**
0.02% full scale
- Insulation Resistance:**
5,000 megohms
- Cable Length:**
30 ft
- Cable Diameter:**
0.295 in polyurethane jacket
- Cable Color Code:**
Red -Excitation
Black -Excitation
Green +Signal
White -Signal
- Warranty:**
One-year limited warranty
- Approvals:**
cFMus
NTEP

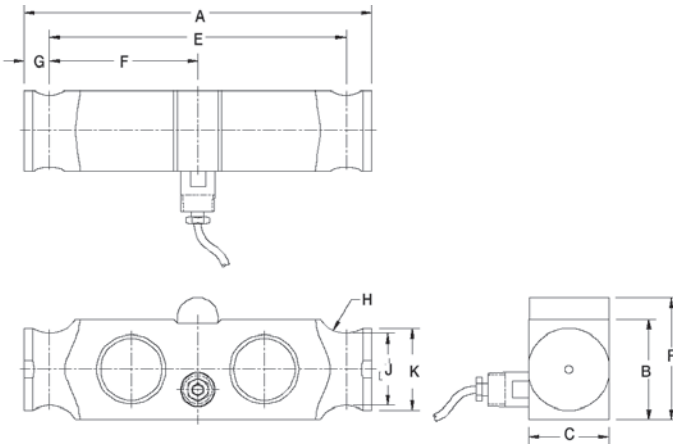
Dimensions

Picture is a representation of actual product

Rated Capacity	A	B	C	E	F	G	H	J	K	P
50,000-60,000	8.50	2.45	1.95	7.25	3.63	0.63	0.75	1.75	2.00	3.00

Order Information

Load Rating	Part #	Est. Weight	Price
50,000 lb	84156	13 lb	\$885.00
60,000 lb	84157	13 lb	\$885.00



Interchangeable Products

NV TECHNOLOGY®

BLC-1-N —

Specifications

Full Scale Output:

3.0 mV/V

Output Resistance:

700 (± 7) ohm

Input Resistance:

700 (± 7) ohm

Material/Finish:

Stainless steel

Temperature:

Compensated range
14°F to 104°F (-10°C to 40°C)
Operating range
0° F to 150° F (-18° C to 65° C)

Seal Type:

Environmentally sealed, IP67

Safe Overload:

150% full scale

Safe Sideload:

100% full scale

Rated Excitation:

5- 10 VDC (15 V maximum)

Non-repeatability:

0.01% full scale

Combined Error:

0.02% full scale

Insulation Resistance:

5,000 megohms

Cable Length:

30 ft

Cable Diameter:

0.295 in polyurethane jacket

Cable Color Code:

Red +Excitation
Black -Excitation
Green +Signal
White -Signal

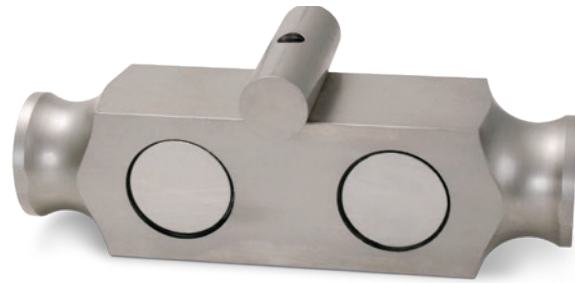
Warranty:

One-year limited warranty

Approvals:

cFMus
NTEP

APPROVALS



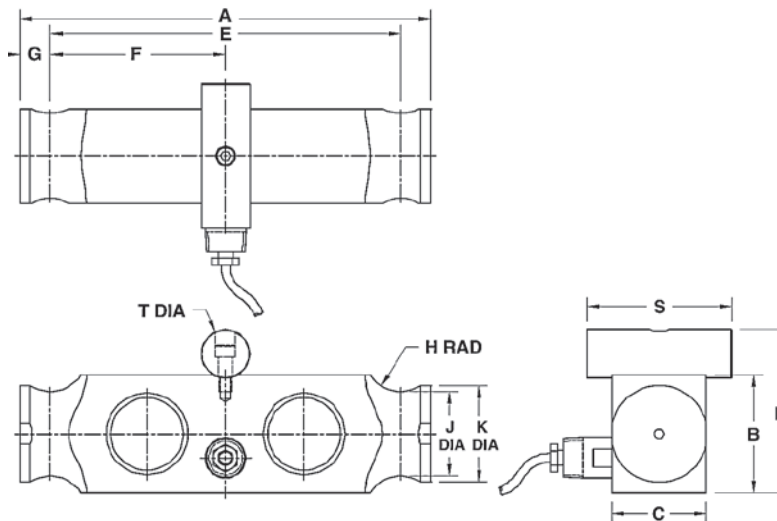
Dimensions

Picture is a representation of actual product

Rated Capacity	A	B	C	E	F	G	H	J	K	R	S	T
lb/in												
50,000-60,000	8.50	2.45	1.95	7.25	3.62	0.63	0.75	1.75	2.00	3.38	3.00	1.00

Order Information

Load Rating	Part #	Est. Weight	Price
50,000 lb	79711	14 lb	\$1,007.00
60,000 lb	79712	14 lb	\$1,055.00



COMPRESSION CANISTER

ASC

Stainless Steel, Hermetically Sealed, OIML C3, IP68



Cups not included with load cell, sold separately

APPROVALS



Available upon request

Specifications

- Full Scale Output:**
2.00 (± 0.02) mV/V
- Output Resistance:**
700 (± 35) ohm
- Input Resistance:**
700 (± 35) ohm
- Material/Finish:**
Stainless steel
- Temperature:**
Operating range
0° F to 150° F (-18° C to 65° C)
- Seal Type:**
Hermetically sealed, IP68
- Safe Overload:**
150% full scale
- Rated Excitation:**
5-20 VDC
- Combined Error:**
0.02% full scale
- Insulation Resistance:**
5,000 megohms
- Cable Length:**
15 m
- Cable Diameter:**
0.295 in polyurethane jacket
- Cable Color Code:**
Green +Excitation
Black -Excitation
White +Signal
Red -Signal
- Warranty:**
One-year limited warranty
- Approvals:**
cFMus
OIML
Ex (available upon request)

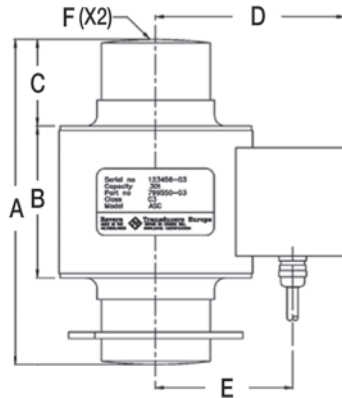
Dimensions

Picture is a representation of actual product

Rated Capacity	A	B	C	D	E	F
30-50	150.0	70.0	40.0	87.1	69.1	R200

Order Information

Load Rating	Part #	Est. Weight	Price
OIML			
30 T	151312	5 lb	\$736.00
40 T	151313	5 lb	\$736.00
50 T	151314	5 lb	\$736.00
Options			
Load Cup Set (Upper and Lower)	160452	6 lb	\$100.00



Stainless Steel, Hermetically Sealed, NTEP Certified 1:10,000 Class III L Multiple Cell, OIML C3, IP66/68

Weigh Module Available

RICE LAKE WEIGHING SYSTEMS
RLC..... page 80

Specifications

- Full Scale Output:**
2.0 mV/V
- Output Resistance:**
1,025 (± 25) ohm
- Input Resistance:**
1,110 (± 50) ohm
- Material/Finish:**
Stainless steel
- Temperature:**
Compensated range
14°F to 104°F (-10°C to 40°C)
Operating range
0° F to 150° F (-18° C to 65° C)
- Seal Type:**
Hermetically sealed, IP66/68
- Safe Overload:**
150% full scale
- Safe Sideload:**
100% full scale
- Rated Excitation:**
5- 10 VDC (15 V maximum)
- Combined Error:**
0.02% full scale
- Insulation Resistance:**
5,000 megohms
- Cable Length:**
5 m
- Cable Color Code:**
Pink +Excitation
Grey -Excitation
Brown +Signal
White -Signal
- Warranty:**
One-year limited warranty
- Approvals:**
cFMus
OIML
NTEP

APPROVALS



Dimensions

Picture is a representation of actual product

Rated Capacity	D	D1	D2	D3	H	H1	H2	H3	T
T/in									
0.25-1	2.76	3.15	3.84	0.40	0.99	0.60	0.04	0.37	M6 (3 × 120°)
2-5	2.76	3.15	3.84	0.60	1.18	0.79	0.24	0.33	M6 (3 × 120°)
10	3.26	3.74	4.42	0.98	1.37	0.58	-	0.39	M6 (3 × 120°)

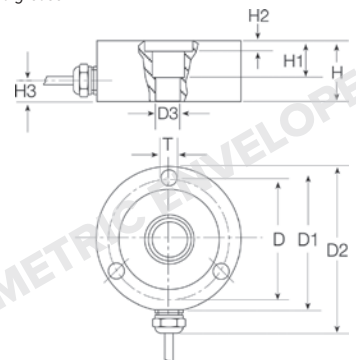
Order Information: NTEP Certified

Load Rating	Part #	Est. Weight	Price
NTEP Certified			
0.5T	36190	2 lb	\$689.00
1T	36191	2 lb	\$689.00
2T	36192	3 lb	\$742.00
3.5T	36193	3 lb	\$742.00
5T	36194	3 lb	\$742.00
10T	177263	6 lb	\$742.00
OIML			
0.25T	126714	2 lb	\$689.00
0.5T	126715	2 lb	\$689.00
1T	126716	2 lb	\$742.00
2T	126717	3 lb	\$742.00
3.5T	126718	3 lb	\$742.00
5T	126719	3 lb	\$742.00
10T	177262	3 lb	\$742.00

Replacement Rocker Pin Set*

Load Rating (Per Module)	Part #	Price
250 kg-1T	170875	\$132.00
2T-5T	170876	\$132.00
10T	170877	\$132.00

*Kit includes upper cup, rocker pin and grease





Stainless Steel, Welded Seal, IP68



APPROVALS



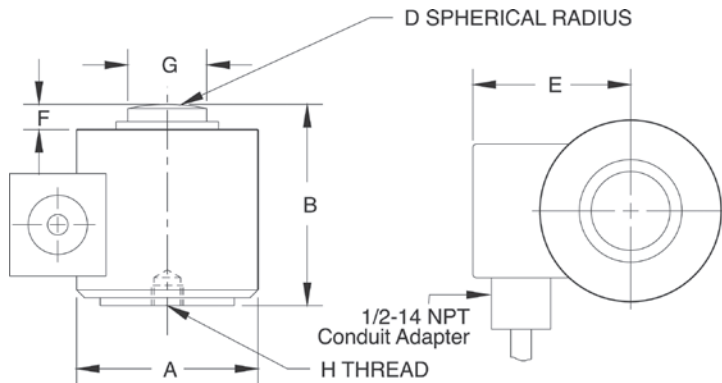
Dimensions

Picture is a representation of actual product

Rated Capacity lb/in	A	B	D	E	F	G	H	DEPTH of H
10,000-50,000	2.48	3.25	6.00	3.30	0.40	1.25	1/2-20 UNF	0.31
100,000	4.12	5.00	6.00	3.50	0.51	2.31	3/4-16 UNF	0.56
200,000-300,000	6.00	7.25	17.00	4.60	1.04	3.13	3/4-16 UNF	0.75
500,000	6.50	9.00	17.00	4.80	0.56	3.69	3/4-16 UNF	0.75

Order Information

Load Rating	Part #	Est. Weight	Price
10,000 lb	17588	8 lb	\$1,425.00
25,000 lb	17589	8 lb	\$1,425.00
50,000 lb	17590	8 lb	\$1,425.00
100,000 lb	17591	16 lb	\$1,575.00
200,000 lb	17592	40 lb	\$2,432.00
300,000 lb	17593	40 lb	\$2,676.00
500,000 lb	17594	53 lb	\$4,765.00



Interchangeable Products

VPG® REVERE	
392B —
ARTECH®	
90210 —
CARDINAL®	
CP1 —
HOWE RICHARDSON®	
20908XXX —
STREETER AMET®	
3753070, 3752030, 3752040, 3751940 —

Weigh Module Available

RICE LAKE WEIGHING SYSTEMS
MagnaMount®page 111

Specifications

- Full Scale Output:**
1.75 mV/V
- Output Resistance:**
480 (± 4.8) ohm
- Input Resistance:**
450 (± 4.5) ohm
- Material/Finish:**
Stainless steel
- Temperature:**
Operating range
0° F to 150° F (-18° C to 65° C)
- Seal Type:**
Welded-seal, IP68
- Safe Overload:**
150% full scale
- Rated Excitation:**
5- 10 VDC (15 V maximum)
- Combined Error:**
0.15% full scale
- Non-repeatability:**
0.03% full scale
- Insulation Resistance:**
5,000 megohms
- Deflection at Capacity:**
10,000-50,000 lb=0.003 in
100,000-300,000 lb=0.006 in
500,000 lb=0.009 in
- Cable Length:**
30 ft
- Cable Diameter:**
0.295 in polyurethane jacket
- Cable Color Code:**
Green +Excitation
Black -Excitation
White +Signal
Red -Signal
- Warranty:**
One-year limited warranty
- Approvals:**
cFMus



Interchangeable Products

- RICE LAKE WEIGHING SYSTEMS
- RLCSP1*** page 179
- VPG® REVERSE
- 692B*** —
- ARTECH
- 90310*** —
- HOWE RICHARDSON®
- 244699-000X*** —
- STREETER AMET3760XXX..... —
- * Load cell diameter may not be identical*

Weigh Module Available

- RICE LAKE WEIGHING SYSTEMS
- MagnaMount®**page 111

Specifications

- Full Scale Output:**
2 mV/V
- Output Resistance:**
480 (± 4.8) ohm
- Input Resistance:**
450 (± 4.5) ohm
- Material/Finish:**
Stainless steel
- Temperature:**
Compensated range
14°F to 104°F (-10°C to 40°C)
Operating range
0° F to 150° F (-18° C to 65° C)
- Seal Type:**
Welded-seal, IP68
- Safe Overload:**
150% full scale
- Rated Excitation:**
5-10 VDC (15 V maximum)
- Combined Error:**
0.02% full scale (0.05% non-NTEP Certified)
- Non-repeatability:**
0.01% full scale
- Insulation Resistance:**
5,000 megohms
- Deflection at Capacity:**
10,000-50,000 lb=0.003 in
100,000-300,000 lb=0.006 in
500,000 lb=0.009 in
- Cable Length:**
30 ft
60 ft
- Cable Diameter:**
0.295 in polyurethane jacket
- Cable Color Code:**
Green +Excitation
Black -Excitation
White +Signal
Red -Signal
- Warranty:**
One-year limited warranty

- Approvals:**
cFMus
NTEP
OIML

APPROVALS



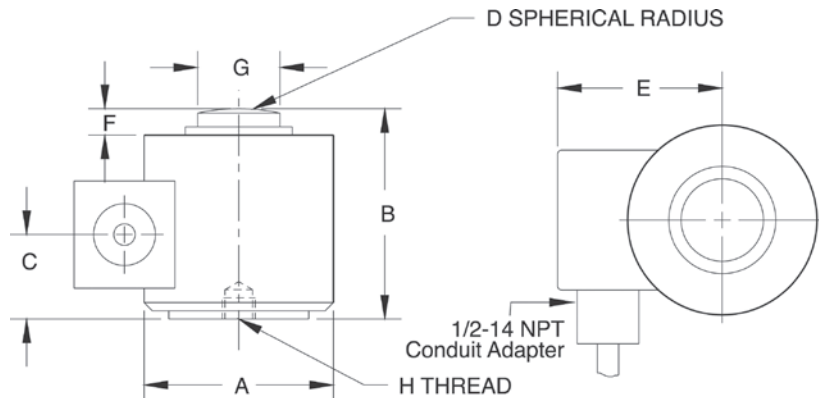
Picture is a representation of actual product

Dimensions

Rated Capacity	A	B	C	D	E	F	G	H	DEPTH of H
10,000-50,000	2.88	3.25	1.28	6.00	2.51	0.40	1.25	1/2-20 UNF	0.38
100,000	4.12	5.00	2.15	6.00	3.39	0.51	2.31	3/4-16 UNF	0.56
200,000-300,000	6.00	7.25	3.63	17.00	4.26	1.04	3.13	3/4-16 UNF	0.75
500,000	6.50	9.00	4.34	17.00	4.59	0.56	3.69	3/4-16 UNF	0.75

Order Information

Load Rating	Part #	Est. Weight	Price
NTEP Certified, 30 ft Cable			
25,000 lb	21649	7 lb	\$1,700.00
50,000 lb	21650	7 lb	\$1,700.00
100,000 lb	21651	15 lb	\$1,892.00
200,000 lb	21652	36 lb	\$2,538.00
NTEP Certified, 60 ft Cable			
200,000 lb	188769	40 lb	\$2,645.00
Non-NTEP Certified, 30 ft Cable			
10,000 lb	17595	6 lb	\$1,611.00
300,000 lb	17597	40 lb	\$2,645.00
500,000 lb	17598	40 lb <td \$4,966.00	
OIML, 60 ft Cable			
60 T	194528	15 lb	\$1,892.00





APPROVALS



Interchangeable Products

RICE LAKE WEIGHING SYSTEMS
RL8C2P1SSTpage 180
 ARTECH®
90405—

Specifications

Full Scale Output:
2.0 mV/V

Output Resistance:
350 (± 3.5) ohm

Input Resistance:
350 (± 3.5) ohm

Material/Finish:
Stainless steel

Temperature:
Compensated range
14°F to 104°F (-10°C to 40°C)
Operating range
0° F to 150° F (-18° C to 65° C)

Seal Type:
Welded-seal, IP68

Safe Overload:
150% full scale

Rated Excitation:
5-10 VDC (15 V maximum)

Non-repeatability:
0.01% full scale

Combined Error:
0.03% full scale

Insulation Resistance:
5,000 megohms

Deflection at Capacity:
50,000 lb=0.004 in
100,000 lb=0.006 in
200,000 lb=0.009 in

Cable Length:
35 ft

Cable Diameter:
0.295 in polyurethane jacket

Cable Color Code:
Green +Excitation
Black -Excitation
White +Signal
Red -Signal

Warranty:
One-year limited warranty

Approvals:
cFMus
NTEP

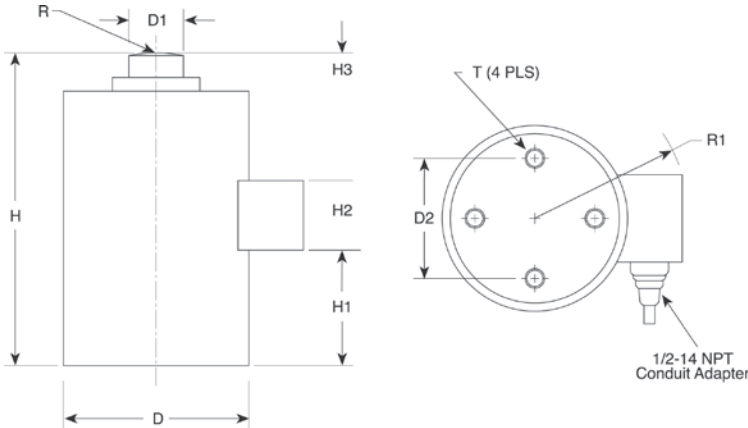
Dimensions

Picture is a representation of actual product

Rated Capacity	D	D1	D2	H	H1	H2	H3	R	R1	T
50,000	4.50	1.25	2.38	7.50	3.06	1.60	0.75	6.00	3.75	3/8-24 UNF × .63 DP
100,000	5.75	1.75	4.00	9.13	2.60	1.60	1.05	12.00	4.05	1/2-20 UNF × .75 DP
200,000	7.50	2.50	5.50	11.63	3.95	1.60	0.97	12.00	5.11	5/8-18 UNF × 1.00 DP

Order Information

Load Rating	Part #	Est. Weight	Price
50,000 lb	31307	19 lb	\$2,326.00
100,000 lb	31306	35 lb	\$2,326.00
200,000 lb	31305	74 lb	\$3,598.00



Specifications

- Full Scale Output:**
2.0 mV/V
- Output Resistance:**
350 (± 3.5) ohm
- Input Resistance:**
390 (± 15) ohm
- Material/Finish:**
Alloy steel with stainless steel cover
- Temperature:**
Operating range
0° F to 150° F (-18° C to 65° C)
- Seal Type:**
Environmentally sealed, IP67
- Safe Overload:**
150% full scale
- Rated Excitation:**
5-10 VDC nominal (15 V maximum)
- Combined Error:**
0.03% full scale
- Non-repeatability:**
0.01% full scale
- Insulation Resistance:**
5,000 megohms
- Deflection at Capacity:**
2-20 lb=0.06 in
50-250 lb=0.04 in
- Cable Length:**
10 ft
- Cable Color Code:**
Red +Excitation
Black -Excitation
Green +Signal
White -Signal
- Warranty:**
One-year limited warranty
- Approvals:**
cFMus



APPROVALS



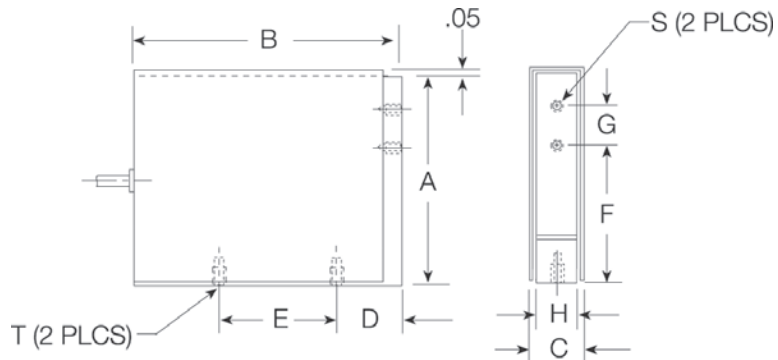
Dimensions

Picture is a representation of actual product

Rated Capacity	A	B	C	D	E	F	G	H	T	S
Ib/in										
2-20	4.00	5.13	0.91	1.25	2.20	2.60	0.75	0.75	1/4-28 UNF × .38 DP	10-32 UNF × .25 DP
50-100	4.60	6.00	1.16	1.90	2.20	2.60	1.00	1.00	3/8-24 UNF × .50 DP	1/4-28 UNF × .50 DP
250	4.60	6.00	1.16	1.90	2.20	2.35	1.50	1.00	3/8-24 UNF × .50 DP	3/8-24 UNF × .50 DP

Order Information

Load Rating	Part #	Est. Weight	Price
2 lb	17442	3 lb	\$630.00
5 lb	17443	3 lb	\$630.00
10 lb	17444	3 lb	\$630.00
20 lb	17445	3 lb	\$630.00
50 lb	17446	5 lb	\$662.00
100 lb	17447	5 lb	\$662.00
250 lb	17448	5 lb	\$683.00





APPROVALS



Specifications

- Full Scale Output:**
25-100 lb=3.0 mV/V
6 kg=2.0 mV/V
- Output Resistance:**
350 (± 7) ohm
- Input Resistance:**
400 (± 6) ohm
- Material/Finish:**
Stainless steel
- Temperature:**
Operating range
0° F to 150° F (-18° C to 65° C)
- Seal Type:**
Welded-seal, IP67

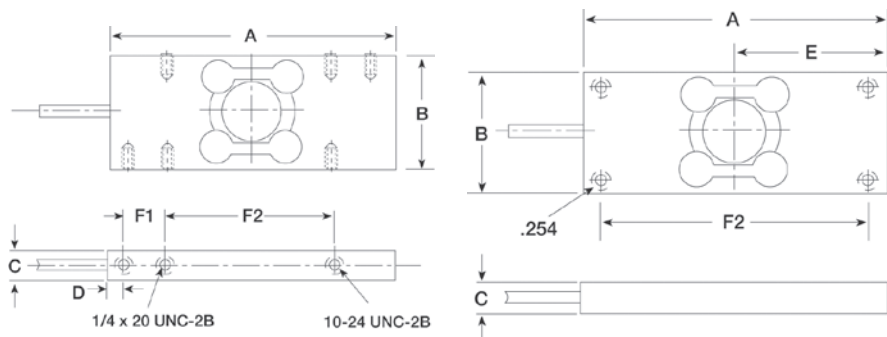
Dimensions

Picture is a representation of actual product

Rated Capacity	A	B	C	D	E	F1	F2
kg/mm							
6	127.0	50.2	18.5	—	63.5	—	107.9
25-50	127.0	50.2	18.5	6.3	—	19.0	76.2
100	127.0	46.2	23.8	6.3	—	19.0	76.2

Order Information

Load Rating	Part #	Est. Weight	Price
6 kg	22335	2 lb	\$652.00
6 kg	116475	2 lb	\$652.00
25 lb	17406	2 lb	\$652.00
50 lb	17407	2 lb	\$652.00
100 lb	17408	2 lb	\$826.00



HPS 6 kg - 100 lbs
(PN 22335, 17406, 17407, 17408)

HPS (6 KGS)
(PN 116475)

- Safe Overload:**
150% full scale
- Rated Excitation:**
5-10 VAC (15 V maximum)
- Combined Error:**
0.03% full scale
- Non-repeatability:**
0.01% full scale
- Insulation Resistance:**
5,000 megohms
- Cable Length:**
10 ft
- Cable Color Code:**
Green +Excitation
Black -Excitation
White +Signal
Red -Signal
- Warranty:**
One-year limited warranty
- Approvals:**
cFMus

Specifications

- Full Scale Output:**
2.0 mV/V
- Output Resistance:**
350 (\pm 3.5) ohm
- Input Resistance:**
350 (\pm 3.5) ohm
- Material/Finish:**
Stainless steel
- Temperature:**
Operating range
0° F to 150° F (-18° C to 65° C)
- Seal Type:**
Welded-seal, IP67
- Safe Overload:**
150% full scale
- Rated Excitation:**
5- 10 VDC (15 V maximum)
- Combined Error:**
0.03% full scale
- Non-repeatability:**
0.01% full scale
- Insulation Resistance:**
5,000 megohms
- Cable Length:**
20 ft
- Cable Color Code:**
Green +Excitation
Black -Excitation
White +Signal
Red -Signal
- Warranty:**
One-year limited warranty
- Approvals:**
cFMus



APPROVALS



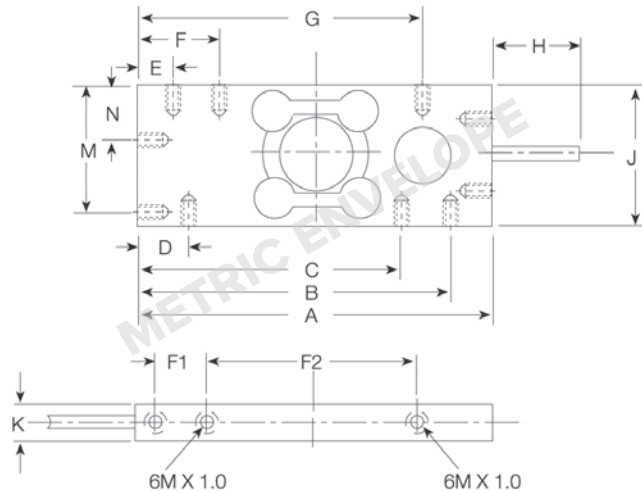
Dimensions

Picture is a representation of actual product

Rated Capacity	A	B	C	D	E	F	F1	F2	G	H	J	K	M	N
kg/mm														
6-30	130.0	116.5	97.5	22.5	13.5	32.5	19.1	75.0	107.5	25.0	50.0	18.5	44.0	20.0

Order Information

Load Rating	Part #	Est. Weight	Price
6 kg	22334	2 lb	\$652.00
12 kg	109131	2 lb	\$652.00
30 kg	115336	2 lb	\$736.00



LOAD CELL

AX3040

Alloy Steel, Environmentally Sealed, IP66

VPG REVERE / SI Onboard



Dimensions

Picture is a representation of actual product

Rated Capacity	A	B	C	D	E	F	G	H
20,000 lb/in	22.60	24.60	19.60	15.00	11.50	2.84	2.38	8.80

Order Information

Load Rating	Part #	Est. Weight	Price
20,000 lb	111766	30 lb	\$1,120.00

Specifications

Full Scale Output:

0.5 mV/V at 12,500 lb

Output Resistance:

350 ohm (nominal)

Input Resistance:

350 ohm (nominal)

Material/Finish:

Alloy steel

Temperature:

Operating range
0° F to 150° F (-18° C to 65° C)

Seal Type:

Environmentally sealed, IP66

Manufacturer Model Number:

8300420-10

Rated Excitation:

15 VDC

Non-linearity:

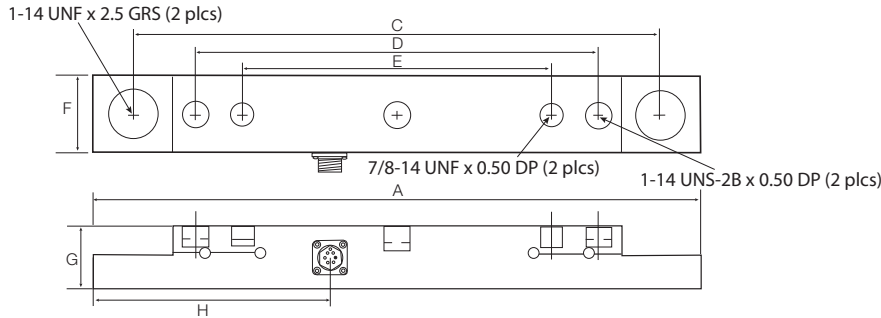
±1.0% full scale

Insulation Resistance:

5,000 megohm at 50 VDC

Warranty:

One-year limited



www.ricelake.com | Phone: 800-472-6703



VPG SENSORTRONICS

TABLE OF CONTENTS

S-BEAMS

Page 311

60001, ALLOY STEEL



Suitable for single- or multiple-cell tension load applications. Nickel plated, high-alloy steel construction. Complete with 20 ft of load cell cable and full environmental protection with stainless steel side plates. Capacities range from 25 lb to 20,000 lb. Capacities of 5,000 lb or higher have standardized output for multiple-cell installations.



Page 312

60050, STAINLESS STEEL



Suitable for single- or multiple-cell applications. Complete with 20 ft of load cell cable and full environmental protection with stainless steel side plates. Stainless steel construction for added corrosion protection. Capacities range from 250 lb to 20,000 lb. Capacities of 5,000 lb or higher have standardized output for multiple-cell installations.



Page 313

60063, STAINLESS STEEL



Welded-seal, stainless steel, s-beam load cell designed for compression and tension. Ideal for scale conversions and general-purpose weighing. NTEP Certified in capacities ranging from 500 lb to 5,000 lb. 10,000 lb is non-NTEP Certified.



SINGLE-ENDED

Page 314

65023A-5297, ALLOY STEEL



The VPG® SENSORTRONICS 65023 has been a staple in the Rice Lake Weighing Systems Load Cell Guide for years. This model is manufactured from high-alloy steel and is nickel-plated to provide protection from the elements. The latest version is the 65023-XX-5297, which is custom featured with matched outputs and 8.5 ft of load cell cable. This model was originally designed for Fairbanks® scales under part number 65023-XX-5164 and can now be purchased from Rice Lake Weighing Systems for replacement applications. Available in capacities of 1,000 lb, 2,500 lb and 5,000 lb.



Page 315

65023A-5107-10, ALLOY STEEL



The 65023A-5107-10 is a replacement load cell for the previously offered 65023-5141 VPG® SENSORTRONICS cell. The 65023A-5107-10 is appropriate for a specific OEM manufacturer and is available through Rice Lake Weighing Systems to help streamline your parts orders. This model was previously specific to Pennsylvania Scale and features a standard 10 ft of load cell cable. Available in 1,000 lb and 2,500 lb capacities.



Page 316

65023A-5507, ALLOY STEEL



The 65023A-XX-5507 is a low profile version of the 65023A-XX-5107 at just 0.75 in high. Available in 1,000 lb and 2,500 lb capacities.



Page 317

65023A, ALLOY STEEL



Designed for low-profile floor scales. Environmentally protected with stainless steel side plates. Nickel-plated alloy steel with a threaded loading hole. Capacities from 250 lb to 20,000 lb.



VPG SENSORTRONICS

SINGLE-ENDED BEAMS

Page 318

65023SS, STAINLESS STEEL



Designed for low-profile floor scales. Environmentally protected with stainless steel side plates. Stainless steel and a threaded hole for loading. Capacities range from 1,000 lb to 10,000 lb.



Page 319

65023S, STAINLESS STEEL



Designed for low-profile floor scales. Environmentally protected with stainless steel side plates. Stainless steel and a threaded hole for loading. Available in 250 lb, 500 lb, 15,000 lb and 20,000 lb capacities.



Page 320

65083, STAINLESS STEEL



This welded-seal precision load cell offers exceptional performance and reliability in hostile environment applications typical of food and chemical processing. Designed for single- or multiple-cell installations, the 65083 has a threaded load hole for easy adaptation of mounting hardware or leveling feet typical of floor scales. Capacities range from 1,000 lb to 10,000 lb. Complete with 20 ft of load cell cable.



Page 321

65083S, STAINLESS STEEL



This precision load cell offers exceptional performance and reliability in hostile environment applications typical of food and chemical processing. Designed for single- or multiple-cell installations, the 65083S is provided with a threaded load hole for easy adaptation of mounting hardware or leveling feet typical of floor scales. Capacities range from 1,000 lb to 10,000 lb. Complete with 20 ft of load cell cable.



Page 322

60040, ALLOY STEEL



Designed for low-profile, single- or multiple-cell weighing applications. Complete with 20 ft of load cell cable. Nickel plated, high-alloy steel construction, environmentally protected with a neoprene sleeve. Capacities range from 25 lb to 500 lb.



SINGLE POINTS

Page 323

60048SS, STAINLESS STEEL



Load cell specifically designed for heavy-duty, off-center loads on a 20 in x 20 in platform. Stainless steel construction specially designed for washdown situations. Complete with 10 ft of load cell cable. 1,000 lb capacity load cell may be used with 30 in x 30 in platform. Capacities range from 50 lb to 1,000 lb.



Page 324

60051, STAINLESS STEEL



Designed as a replacement for the NCI® Mark III in hostile environments. Stainless steel, moisture-resistant single-point cell. Complete with 10 ft of load cell cable. 10 lb to 25 lb cells may be used with a base size of 8 in x 8 in; 50 lb to 200 lb cells, with a base size of 12 in x 12 in.



Page 325

60060, ALUMINUM



High-capacity, off-center load cell accurately weighs loads on a 30 in x 30 in platform. Aluminum clear anodized construction. Capacities range from 100 lb to 2,000 lb. Complete with 10 ft of load cell cable.



VPG Sensortronics

DOUBLE-ENDED BEAMS

Page 326

65016, ALLOY STEEL



Nickel plated and environmentally protected with stainless steel side plates. Designed for center loading compatibility with the RL1600 tank weighing assemblies. Capacities range from 1,000 lb to 75,000 lb. Complete with 25 ft of load cell cable.



Page 327

65016W, STAINLESS STEEL



Offered in stainless steel and with welded-seal. Designed for center loading compatibility with RL1600 tank weighing assemblies. Capacities range from 1,000 lb to 75,000 lb. Complete with 25 ft of load cell cable.



Page 328

65016WH, STAINLESS STEEL



Stainless steel, full hermetic version of the popular 65016 series of load cells. Capacities range from 1,000 to 25,000 lb. Complete with 25 ft of load cell cable.



Page 329

65058A, ALLOY STEEL



Nickel plated and environmentally protected with stainless steel side plates. Designed for center link loading and compatibility with the MVS or similar suspension systems up to 75,000 lb. NTEP Certified capacities range from 20,000 lb to 125,000 lb; non-NTEP Certified capacity of 10,000 lb. Complete with 35 ft of load cell cable.



Page 330

65058S, STAINLESS STEEL



The VPG® Sensortronics 65058S is a double-ended beam specifically designed for harsh environments, vehicle weighing applications. This stainless steel, welded-seal product is an ideal substitute for traditional alloy steel, nickel plated units where corrosive or washdown conditions exist. This model is compatible with both the MVS and TSA mounts, and is available in capacities ranging from 20,000 lb to 125,000 lb. Each unit is provided with a standard 35 ft of load cell cable.



Page 331

65061A, ALLOY STEEL



This unique double-ended beam has been a standard model in Fairbanks® truck scales for years. This NTEP Certified, zinc plated, alloy steel load cell (stainless, welded-seal in 50,000 lb is also available) is sealed with a potting compound that has been proven through the test of time in numerous applications. This unit is offered in capacities of 40,000 lb and 50,000 lb, and is affordably priced compared to other replacement load cell options in the marketplace. Each unit is provided with a standard 60 ft of copper over braid load cell cable.



Page 332

65040A, ALLOY STEEL



Nickel plated and environmentally protected with stainless steel side plates. Designed for center mounting and double link loading. Capacities range from 25,000 lb to 125,000 lb. Complete with 35 ft of load cell cable.



Page 333

65040S, STAINLESS STEEL



This model is an upgraded version of the VPG® Sensortronics 65040A, and is offered in stainless steel, with welded sealing. The center-supported, double-ended beam design is compatible with Unilink/Translink mounts. The full stainless, welded-seal upgrade makes this model ideal for applications where harsh chemicals and washdown conditions exist. This model is available in capacities ranging from 25,000 lb to 75,000 lb, and is provided with a standard 35 ft of load cell cable.



VPG Sensortronics

DOUBLE-ENDED BEAMS

Page 334

65040A-1127W, ALLOY STEEL



This center-loaded, double-link load cell is made of alloy steel with an epoxy paint finish. It is a replacement for the RL75223 or RTI 5223 load cell, and is NTEP Certified. It comes with 40 ft of cable, and is available in 50,000 lb, 65,000 lb and 100,000 lb capacities.



ROCKER COLUMN

Page 335

65114, STAINLESS STEEL



The 65114 was specially designed to provide the superior protection of stainless steel and hermetic sealing for truck scale applications. This model is built to provide a high degree of accuracy, while protecting against the severe conditions that truck scale load cells often endure. The easy installation of "rocker column" type load cells also provides a distinct advantage over traditional market alternatives. Available in two different heights, this product can easily be adapted to existing applications.



Interchangeable Products

RICE LAKE WEIGHING SYSTEMS
RL20001Ipage 131
 VPG® CELTRON
STC..... page 224

Weigh Module Available

RICE LAKE WEIGHING SYSTEMS
**ITCM Isolated Tension
 Cell Mount**.....page 44

Specifications

Full Scale Output:
3.0 mV/V

Output Resistance:
349-355 ohms

Input Resistance:
343-450 ohms

Material/Finish:
High-alloy steel, nickel plated

Temperature:
Compensated range
14° F to 104° F (-10° C to 40° C)
Operating range
0° F to 150° F (-18° C to 65° C)

Seal Type:
Environmentally sealed, IP67

Safe Overload:
150% full scale

Rated Excitation:
5- 10 V DC (15 V maximum)

Combined Error:
0.03% full scale

Insulation Resistance:
5,000 megohms

Cable Length:
20 ft

Cable Diameter:
0.200 in polyurethane jacket

Cable Color Code:
Red +Excitation
Black -Excitation
Green +Signal
White -Signal

Warranty:
One-year limited warranty

Approvals:
cFMus
NTEP

APPROVALS



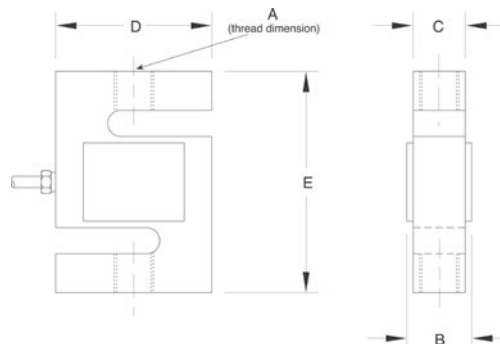
Dimensions

Picture is a representation of actual product

Rated Capacity lb/in	A	B	C	D	E
25-200	1/4-28 UNF	0.65	0.50	2.00	2.50
250-300	3/8-24 UNF	0.75	0.50	2.00	3.00
500-2,000	1/2-20 UNF	1.00	0.75	2.00	3.00
2,500-3,000	1/2-20 UNF	1.25	1.00	2.00	3.00
5,000	3/4-16 UNF	1.25	1.00	3.00	4.25
10,000	3/4-16 UNF	1.25	1.00	3.50	4.75
15,000	1-14 UNS	1.50	1.25	4.00	5.50
20,000	1 1/4-12 UNF	2.25	2.00	5.00	7.00

Order Information

Load Rating	Part #	Est. Weight	Price
25 lb	61116	2 lb	\$312.00
50 lb	61117	2 lb	\$312.00
100 lb	61118	2 lb	\$312.00
200 lb	61119	2 lb	\$312.00
250 lb	61120	2 lb	\$312.00
300 lb	61121	2 lb	\$312.00
500 lb	61122	2 lb	\$312.00
750 lb	61123	2 lb	\$312.00
1,000 lb	61124	2 lb	\$312.00
1,500 lb	61125	2 lb	\$312.00
2,000 lb	61126	2 lb	\$312.00
2,500 lb	61127	2 lb	\$355.00
3,000 lb	61128	2 lb	\$355.00
5,000 lb	61129	4 lb	\$503.00
10,000 lb	61130	5 lb	\$503.00
15,000 lb	61131	7 lb	\$609.00
20,000 lb	61132	18 lb	\$949.00



S-BEAM

60050

Stainless Steel, Environmentally Sealed, IP67



APPROVALS



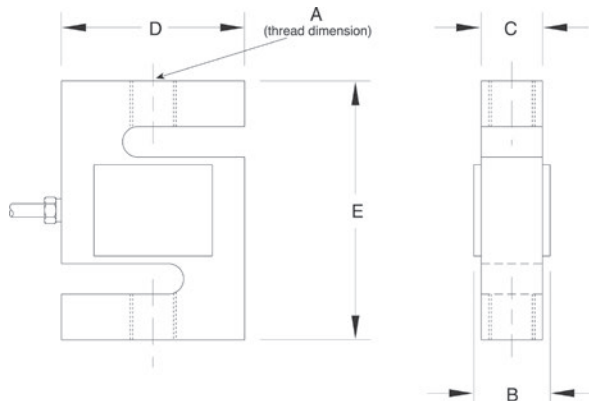
Dimensions

Picture is a representation of actual product

Rated Capacity lb/in	A	B	C	D	E
250	3/8-24 UNF	0.75	0.50	2.00	3.00
500-1,500	1/2-20 UNF	1.00	0.75	2.00	3.00
2,000-3,000	1/2-20 UNF	1.25	1.00	2.00	3.00
5,000	3/4-16 UNF	1.25	1.00	3.00	4.25
10,000	3/4-16 UNF	1.25	1.00	3.50	4.75
15,000	1-14 UNS	1.50	1.25	4.00	5.50
20,000	1 1/4-12 UNF	2.00	1.94	5.00	7.00

Order Information

Load Rating	Part #	Est. Weight	Price
250 lb	17077	2 lb	\$344.00
500 lb	17078	3 lb	\$344.00
750 lb	17079	3 lb	\$344.00
1,000 lb	17080	3 lb	\$344.00
1,500 lb	17081	3 lb	\$344.00
2,000 lb	17082	3 lb	\$387.00
2,500 lb	17083	3 lb	\$387.00
3,000 lb	17084	3 lb	\$387.00
5,000 lb	17085	4 lb	\$583.00
10,000 lb	17086	5 lb	\$583.00
15,000 lb	17087	8 lb	\$689.00
20,000 lb	17088	16 lb	\$1,033.00



Interchangeable Products

VPG® CELTRON

STC SS..... page 225

Weigh Module Available

RICE LAKE WEIGHING SYSTEMS

ITCM Isolated Tension

Cell Mount.....page 44

Specifications

Full Scale Output:

3.0 mV/V

Output Resistance:

349-355 ohms

Input Resistance:

343-450 ohms

Material/Finish:

Stainless steel

Temperature:

Operating range
0° F to 150° F (-18° C to 65° C)

Seal Type:

Environmentally sealed, IP67

Safe Overload:

150% full scale

Rated Excitation:

5- 10 V DC (15 V maximum)

Nonlinearity:

0.03% full scale

Hysteresis:

0.02% full scale

Insulation Resistance:

5,000 megohms

Cable Length:

20 ft

Cable Diameter:

0.200 in polyurethane jacket

Cable Color Code:

Red +Excitation
Black -Excitation
Green +Signal
White -Signal

Warranty:

One-year limited warranty

Approvals:

cFMus

Interchangeable Products

RICE LAKE WEIGHING SYSTEMS
RL20001HE..... page 132

Weigh Module Available

RICE LAKE WEIGHING SYSTEMS
ITCM Isolated Tension
Cell Mount.....page 44

Specifications

Full Scale Output:
2.0 mV/V

Output Resistance:
349-355 ohms

Input Resistance:
349-350 ohms

Material/Finish:
Stainless steel

Temperature:
Compensated range
14° F to 104° F (-10° C to 40° C)
Operating range
0° F to 150° F (-18° C to 65° C)

Seal Type:
Welded-seal, IP68

Safe Overload:
150% full scale

Rated Excitation:
5- 10 V DC (15 V maximum)

Combined Error:
0.03% full scale

Insulation Resistance:
5,000 megohms

Cable Length:
20 ft

Cable Diameter:
0.200 in polyurethane jacket

Cable Color Code:
Red +Excitation
Black -Excitation
Green +Signal
White -Signal

Warranty:
One-year limited warranty

Approvals:
cFMus
NTEP

APPROVALS



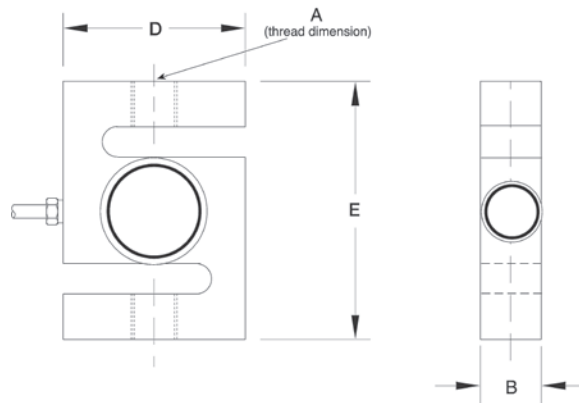
Dimensions

Picture is a representation of actual product

Rated Capacity	A	B	D	E
lb/in				
500-3,000	1/2-20 UNF	1.00	2.00	3.00
5,000-10,000	3/4-16 UNF	1.00	3.50	4.75

Order Information

Load Rating	Part #	Est. Weight	Price
NTEP Certified			
500 lb	36272	3 lb	\$875.00
750 lb	36273	3 lb	\$875.00
1,000 lb	36274	3 lb	\$875.00
1,500 lb	36275	3 lb	\$875.00
2,000 lb	36276	3 lb	\$875.00
2,500 lb	36277	3 lb	\$875.00
3,000 lb	36278	3 lb	\$875.00
5,000 lb	36279	4 lb	\$1,160.00
Non-NTEP Certified			
10,000 lb	36280	4 lb	\$1,160.00

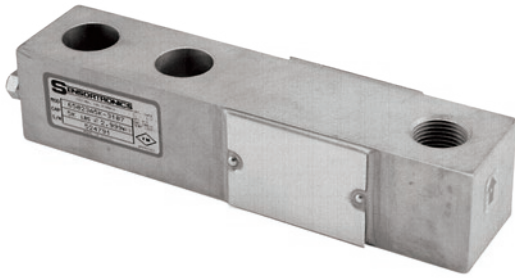


SINGLE-ENDED BEAM

65023A-5297

Alloy Steel, Environmentally Sealed, NTEP Certified 1:5,000 Class III Multiple Cell, IP67

VPG SENSORTRONICS



APPROVALS



Interchangeable Products

FAIRBANKS®

65023A-XX-5164—

Specifications

Full Scale Output:

3.0 mV/V / Ohms calibration

Output Resistance:

349-355 ohms

Input Resistance:

343-357 ohms

Material/Finish:

High-alloy steel, nickel plated

Temperature:

Compensated range
14° F to 104° F (-10° C to 40° C)

Operating range

0° F to 150° F (-18° C to 65° C)

Seal Type:

Environmentally sealed, IP67

Safe Overload:

150% full scale

Safe Sideload:

100% full scale

Rated Excitation:

5- 10 V DC (15 V maximum)

Combined Error:

0.02% full scale

Insulation Resistance:

5,000 megohms

Deflection at Capacity:

1,000 lb=0.013 in

2,500-5,000 lb=0.015 in

Cable Length:

1,000-2,500 lb=8.5 ft

5,000 lb=10 ft

Cable Diameter:

0.200 in polyurethane jacket

Cable Color Code:

Red +Excitation

Black -Excitation

Green +Signal

White -Signal

Warranty:

One-year limited warranty

Approvals:

cFMus

NTEP

Dimensions

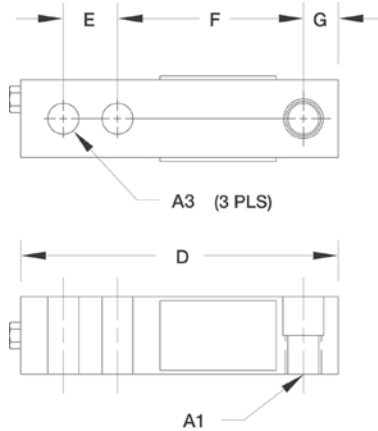
Picture is a representation of actual product

Rated Capacity	A1	A2	A3	B	C	D	E	F	G
1,000-2,500	1/2-20 UNF	0.62	0.53	1.25	1.25	5.12	1.00	3.00	0.50
5,000 LE	3/4-16 UNF	0.75	0.78	1.50	1.50	6.75	1.50	3.75	0.75

Order Information

Load Rating	Part #	Est. Weight	Price
1,000 lb	68825	3 lb	\$312.00
2,500 lb	68824	3 lb	\$312.00
5,000 lb LE	156957	5 lb	\$398.00

LE=large envelope



www.ricelake.com | Phone: 800-472-6703



65023A-5107-10

Alloy Steel, Environmentally Sealed, NTEP Certified 1:5,000 Class III Multiple Cell, IP67

Interchangeable Products

PENNSYLVANIA®

65023A-XX-5141.....-

Specifications

Full Scale Output:

3.0 mV/V trimmed outputs

Output Resistance:

349-355 ohms

Input Resistance:

343-357 ohms

Material/Finish:

High-alloy steel, nickel plated

Temperature:

Compensated range
14° F to 104° F (-10° C to 40° C)
Operating range
0° F to 150° F (-18° C to 65° C)

Seal Type:

Environmentally sealed, IP67

Safe Overload:

150% full scale

Safe Sideload:

100% full scale

Rated Excitation:

5- 10 V DC (15 V maximum)

Combined Error:

0.02% full scale

Insulation Resistance:

5,000 megohms

Deflection at Capacity:

1,000 lb=0.013 in
2,500 lb=0.015 in

Cable Length:

10 ft

Cable Diameter:

0.200 in polyurethane jacket

Cable Color Code:

Red +Excitation
Black -Excitation
Green +Signal
White -Signal

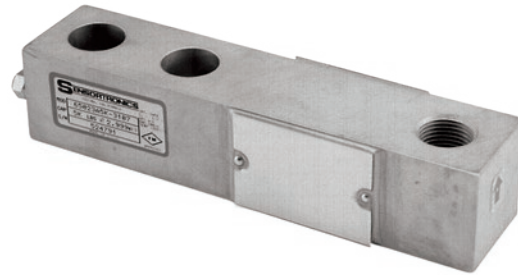
Warranty:

One-year limited warranty

Approvals:

cFMus
NTEP

APPROVALS



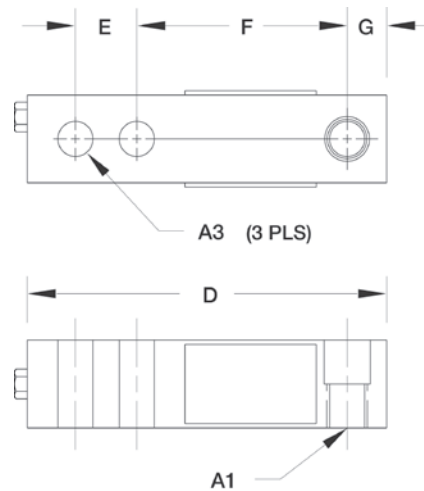
Dimensions

Picture is a representation of actual product

Rated Capacity	A1	A2	A3	B	C	D	E	F	G
lb/in									
1,000-2,500	1/2-20 UNF	0.62	0.53	1.25	1.25	5.12	1.00	3.00	0.50

Order Information

Load Rating	Part #	Est. Weight	Price
1,000 lb	68827	3 lb	\$312.00
2,500 lb	68826	3 lb	\$312.00



SINGLE-ENDED BEAM

65023A-5507

Alloy Steel, Environmentally Sealed, NTEP Certified 1:5,000 Class III Multiple Cell, IP67



APPROVALS



Specifications

- Full Scale Output:**
3.0 mV/V
- Output Resistance:**
349-355 ohms
- Input Resistance:**
343-357 ohms
- Material/Finish:**
High-alloy steel, nickel plated
- Temperature:**
Compensated range
14° F to 104° F (-10° C to 40° C)
Operating range
0° F to 150° F (-18° C to 65° C)
- Seal Type:**
Environmentally sealed, IP67
- Safe Overload:**
150% full scale
- Safe Sideload:**
100% full scale
- Rated Excitation:**
5- 10 V DC (15 V DC max)
- Combined Error:**
0.02% full scale
- Insulation Resistance:**
5,000 megohms
- Deflection at Capacity:**
1,000 lb=0.013 in
2,500 lb=0.015 in
- Cable Length:**
10 ft
- Cable Diameter:**
0.200 in polyurethane jacket
- Cable Color Code:**
Red +Excitation
Black -Excitation
Green +Signal
White -Signal
- Warranty:**
One-year limited warranty
- Approvals:**
cFMus
NTEP

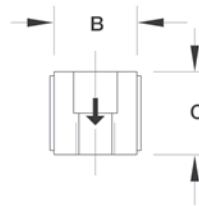
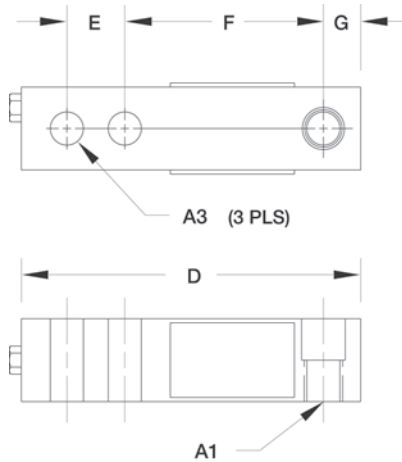
Dimensions

Picture is a representation of actual product

Rated Capacity	A1	A3	B	C	D	E	F	G
1,000-2,500 lb/in	1/2-20 UNF	0.53	1.25	0.75	5.12	1.00	3.00	0.50

Order Information

Load Rating	Part #	Est. Weight	Price
1,000 lb	107785	3 lb	\$312.00
2,500 lb	107786	3 lb	\$312.00

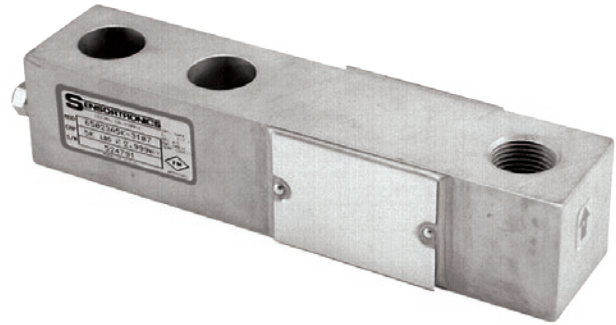


Interchangeable Products

VPG® CELTRON
SQB.....page 227

Weigh Module Available

RICE LAKE WEIGHING SYSTEMS
RL50210TA..... page 50
RICE LAKE WEIGHING SYSTEMS
RL1800 Series..... page 62



APPROVALS



Specifications

- Full Scale Output:**
3.0 mV/V
- Output Resistance:**
349-355 ohms
- Input Resistance:**
343-357 ohms
- Material/Finish:**
High-alloy steel, nickel plated
- Temperature:**
Compensated range:
14° F to 104° F (-10° C to 40° C)
Operating range:
0° F to 150° F (-18° C to 65° C)

Seal Type:
Environmentally sealed, IP67

Safe Overload:
150% full scale

Safe Sideload:
100% full scale

Rated Excitation:
5- 10 V DC (15 V maximum)

Nonlinearity:
0.03% full scale

Hysteresis:
0.02% full scale

Insulation Resistance:
5,000 megohms

Deflection at Capacity:
250-1,500 lb=0.013 in
1,000-5,000SE lb=0.017-0.025 in
5,000LE-10,000 lb=0.025-0.035 in
15,000-20,000 lb=0.048-0.063 in

Cable Length:
20 ft

Cable Diameter:
0.200 in polyurethane jacket

Cable Color Code:
Red +Excitation
Black -Excitation
Green +Signal
White -Signal

Warranty:
One-year limited warranty

Approvals:
cFMus
NTEP

Dimensions

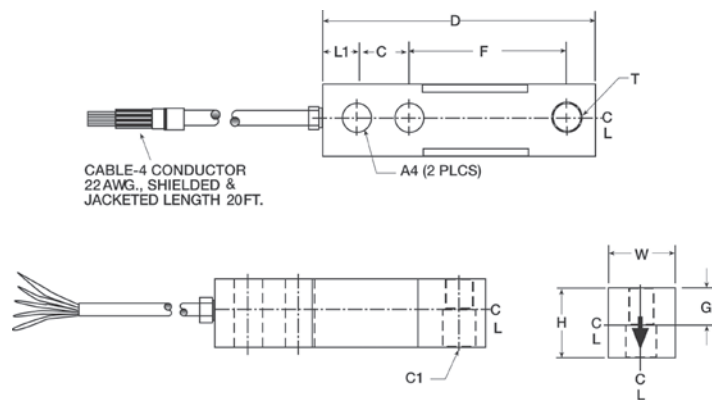
Picture is a representation of actual product

Rated Capacity	T	L1	C1	W	H	D	C	F	G
250-500	1/2-20 UNF	0.62	0.53	1.25	1.00	5.12	1.00	3.00	0.50
1,000-5,000 SE	1/2-20 UNF	0.62	0.53	1.25	1.25	5.12	1.00	3.00	0.62
5,000 LE -10,000	3/4-16 UNF	0.75	0.78	1.50	1.50	6.75	1.50	3.75	0.75
15,000-20,000	1-14 UNS	1.00	1.03	2.00	2.00	8.88	2.00	4.88	1.00

Order Information

Load Rating	Part #	Est. Weight	Price
NTEP Certified			
1,000 lb	21507	3 lb	\$312.00
1,500 lb	69832	3 lb	\$312.00
2,000 lb	21508	3 lb	\$312.00
2,500 lb	21509	3 lb	\$312.00
3,000 lb	21510	3 lb	\$312.00
4,000 lb	21511	3 lb	\$312.00
5,000 lb SE	102884	3 lb	\$312.00
5,000 lb LE	21512	5 lb	\$398.00
10,000 lb	21513	5 lb	\$398.00
Non-NTEP Certified			
250 lb	176426	3 lb	\$312.00
500 lb	17125	3 lb	\$312.00
15,000 lb	17155	9 lb	\$689.00
20,000 lb	17159	10 lb	\$689.00
NTEP Certified 50 ft Cable			
5,000 lb SE	196716	3 lb	\$360.00

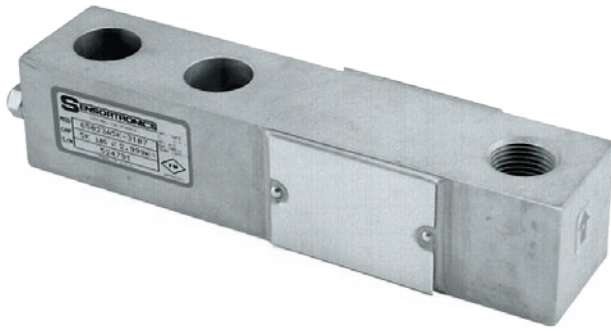
SE=small envelope; LE=large envelope



CABLE-4 CONDUCTOR
22AWG., SHIELDED &
JACKETED LENGTH 20FT.

SINGLE-ENDED BEAM 65023SS

Stainless Steel, Environmentally Sealed, IP67



APPROVALS



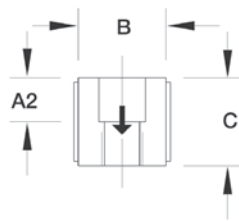
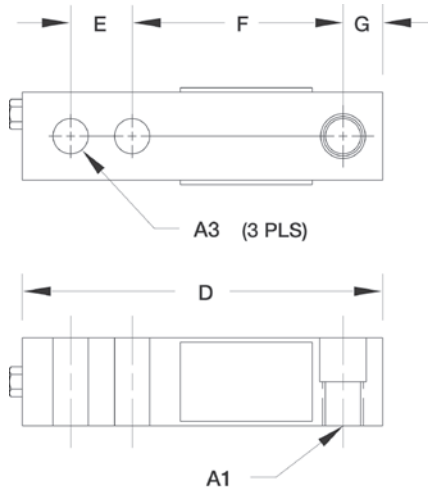
Dimensions

Picture is a representation of actual product

Rated Capacity	A1	A2	A3	B	C	D	E	F	G
250-500	1/2-20 UNF	0.50	0.53	1.25	1.00	5.12	1.00	3.00	0.50
15,000-20,000	1-14 UNS	1.00	1.03	2.00	2.00	8.88	2.00	4.88	1.00

Order Information

Load Rating	Part #	Est. Weight	Price
250 lb	46499	3 lb	\$387.00
500 lb	17188	3 lb	\$387.00
15,000 lb	17156	9 lb	\$805.00
20,000 lb	17160	9 lb	\$805.00



Weigh Module Available

RICE LAKE WEIGHING SYSTEMS
RL50210TA..... page 50
 RICE LAKE WEIGHING SYSTEMS
RL1800 Series..... page 62

Specifications

- Full Scale Output:**
3.0 mV/V
- Output Resistance:**
349-355 ohms
- Input Resistance:**
343-357 ohms
- Material/Finish:**
Stainless steel
- Temperature:**
Operating range
0° F to 150° F (-18° C to 65° C)
- Seal Type:**
Environmentally sealed, IP67
- Safe Overload:**
150% full scale
- Safe Sideload:**
100% full scale
- Rated Excitation:**
5- 10 V DC (15 V maximum)
- Nonlinearity:**
0.03% full scale
- Hysteresis:**
0.02% full scale
- Insulation Resistance:**
5,000 megohms
- Deflection at Capacity:**
250-500 lb=0.013 in
15,000-20,000 lb=0.048-0.063 in
- Cable Length:**
20 ft
- Cable Diameter:**
0.200 in polyurethane jacket
- Cable Color Code:**
Red +Excitation
Black -Excitation
Green +Signal
White -Signal
- Warranty:**
One-year limited warranty
- Approvals:**
cFMus

Interchangeable Products

VPG® SENSORTRONICS
65023SS page 318

Weigh Module Available

RICE LAKE WEIGHING SYSTEMS
RL50210TA..... page 50
RICE LAKE WEIGHING SYSTEMS
RL1800 Series page 62

Specifications

Full Scale Output:

3.0 mV/V

Output Resistance:

349-355 ohms

Input Resistance:

343-357 ohms

Material/Finish:

Stainless steel

Temperature:

Compensated range
14° F to 104° F (-10° C to 40° C)
Operating range
0° F to 150° F (-18° C to 65° C)

Seal Type:

Environmentally sealed, IP67

Safe Overload:

150% full scale

Rated Excitation:

5- 10 V DC (15 V maximum)

Combined Error:

0.02% full scale

Insulation Resistance:

5,000 megohms

Deflection at Capacity:

500-1,000 lb=0.013 in
1,500-4,000 lb=0.017-0.025 in
5,000-10,000 lb=0.025-0.035 in
15,000-20,000 lb=0.048-0.063 in

Cable Length:

20 ft

Cable Color Code:

Red +Excitation
Black -Excitation
Green +Signal
White -Signal

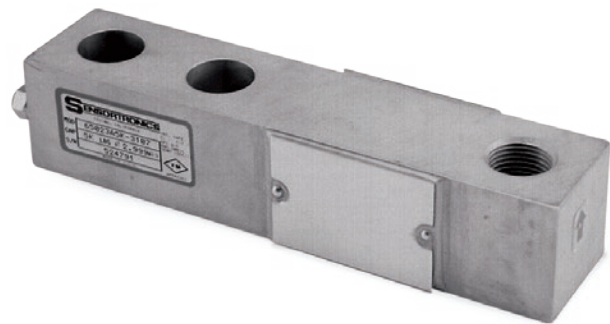
Warranty:

One-year limited warranty

Approvals:

cFMus
NTEP

APPROVALS



Dimensions

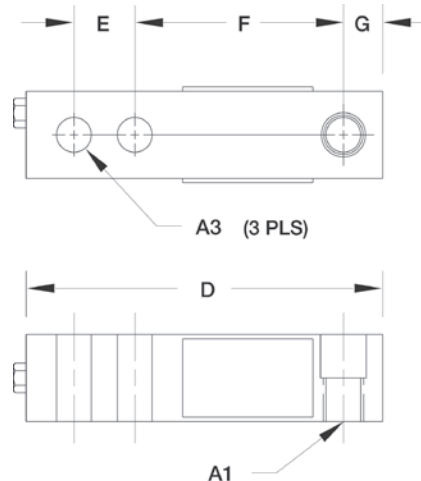
Picture is a representation of actual product

Rated Capacity	A1	A2	A3	B	C	D	E	F	G
lb/in									
1,000-4,000	1/2-20 UNF	0.62	0.53	1.00	1.25	5.12	1.00	3.00	0.50
5,000-10,000	3/4-16 UNF	0.75	0.78	1.50	1.50	6.75	1.50	3.75	0.75

Order Information

Load Rating	Part #	Est. Weight	Price
Threaded Hole			
1,000 lb	28925	3 lb	\$365.00
2,000 lb	28926	3 lb	\$365.00
2,500 lb	28927	3 lb	\$365.00
2,500 lb*	170030	3 lb	\$365.00
4,000 lb	28929	3 lb	\$365.00
5,000 lb	28930	5 lb	\$455.00
10,000 lb	28931	5 lb	\$455.00

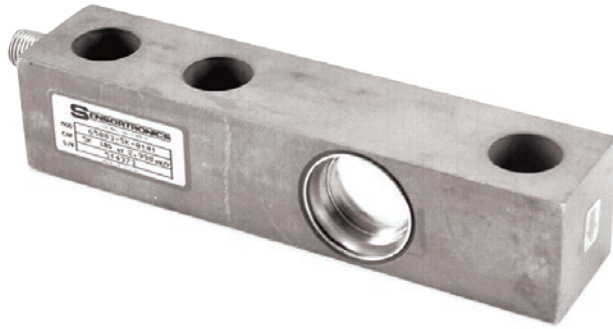
*65023S 2,500lb- 5513, low-profile 0.75 inches tall



SINGLE-ENDED BEAM

65083

Stainless Steel, Welded Seal, IP67



APPROVALS



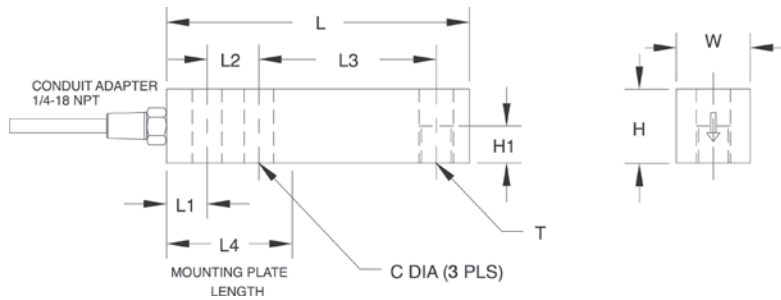
Dimensions

Picture is a representation of actual product

Rated Capacity	C	H	H1	L	L1	L2	L3	L4	T	W
1,000-4,000	0.53	1.22	0.61	5.12	0.62	1.00	3.00	2.25	1/2-20 UNF	1.22
5,000-10,000	0.78	1.50	0.75	6.75	0.75	1.50	3.75	3.00	3/4-16 UNF	1.50

Order Information

Load Rating	Part #	Est. Weight	Price
1,000 lb	17262	3 lb	\$439.00
2,500 lb	17263	3 lb	\$439.00
4,000 lb	17264	3 lb	\$439.00
5,000 lb	17265	5 lb	\$439.00
10,000 lb	17266	5 lb	\$439.00



Interchangeable Products

VPG® CELTRON
SQB-HSS page 228

Weigh Module Available

RICE LAKE WEIGHING SYSTEMS
RL50210TA page 50
 RICE LAKE WEIGHING SYSTEMS
RL1800 Series page 62

Specifications

Full Scale Output:

3.0 mV/V

Output Resistance:

349-355 ohms

Input Resistance:

343-357 ohms

Material/Finish:

Stainless steel

Temperature:

Operating range
 0° F to 150° F (-18° C to 65° C)

Seal Type:

Welded-seal, IP67
 (Conduit is recommended for maximum protection against the ingress of water and moisture through the cable entry)

Safe Overload:

150% full scale

Safe Sideload:

100% full scale

Rated Excitation:

5- 10 V DC (15 V maximum)

Combined Error:

0.03% full scale

Non-Repeatability:

0.01% full scale

Insulation Resistance:

5,000 megohms

Deflection at Capacity:

1,000-4,000 lb=0.008-0.026 in
 5,000-10,000 lb=0.030-0.055 in

Cable Length:

20 ft

Cable Diameter:

0.220 in PTFE jacket

Conduit Adapter Size:

1/4-18 NPT

Cable Color Code:

Red +Excitation
 Black -Excitation
 Green +Signal
 White -Signal

Warranty:

One-year limited warranty

Approvals:

cFMus

Stainless Steel, Welded Seal, Hermetically Sealed, NTEP Certified 1:5,000 Class III Multiple Cell, IP67/IP69K

Weigh Module Available

RICE LAKE WEIGHING SYSTEMS
RL50210TA..... page 50
RICE LAKE WEIGHING SYSTEMS
RL1800 Series..... page 62

Specifications

Full Scale Output:
2.0 mV/V

Output Resistance:
349-355 ohms

Input Resistance:
343-357 ohms

Material/Finish:
Stainless steel

Temperature:
Compensated range
14° F to 104° F (-10° C to 40° C)
Operating range
0° F to 150° F (-18° C to 65° C)

Seal Type:
Welded-seal, IP67
Hermetically sealed, IP69K

Safe Overload:
150% full scale

Safe Sideload:
100% full scale

Rated Excitation:
5- 10 V DC (15 V maximum)

Combined Error:
0.02% full scale

Non-Repeatability:
0.01% full scale

Insulation Resistance:
5,000 megohms

Deflection at Capacity:
1,000-4,000 lb=0.012 in.
5,000-10,000 lb=0.03 in.

Cable Length:
20 ft

Cable Diameter:
0.220 in PTFE jacket

Conduit Adapter Size:
IP67 - 1/4-18 NPT
IP69K - 1/2-14 NPT

Cable Color Code:
Red +Excitation
Black -Excitation
Green +Signal
White -Signal

Warranty:
One-year limited warranty

Approvals:
cFMus
NTEP

APPROVALS



IP67 model



IP69K model

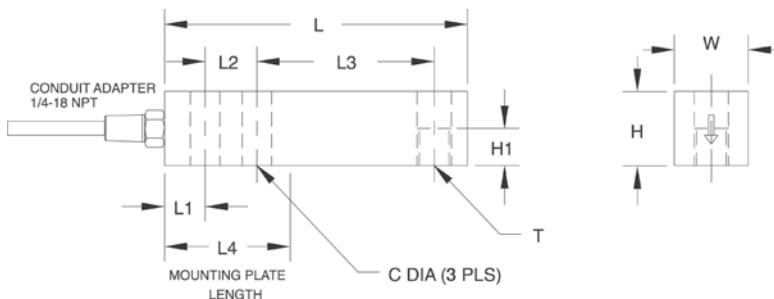
Dimensions

Picture is a representation of actual product

Rated Capacity	C	H	H1	L	L1	L2	L3	L4	T	W
1,000-4,000 lb/in	0.53	1.22	0.61	5.12	0.62	1.00	3.00	2.25	1/2-20 UNF	1.22
5,000-10,000	0.78	1.50	0.75	6.75	0.75	1.50	3.75	3.00	3/4-16 UNF	1.50

Order Information

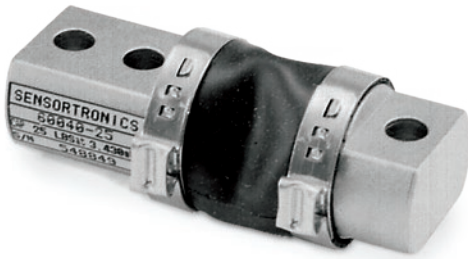
Load Rating	Part #	Est. Weight	Price
Welded-seal IP67			
1,000 lb	33552	3 lb	\$450.00
2,500 lb	33553	3 lb	\$450.00
4,000 lb	33554	3 lb	\$450.00
5,000 lb	33555	5 lb	\$503.00
10,000 lb	33556	5 lb	\$503.00
Hermetically Sealed IP69K			
1,000 lb	33734	3 lb	\$535.00
2,500 lb	33735	3 lb	\$535.00
4,000 lb	33736	16 lb	\$535.00



SINGLE-ENDED BEAM

60040

Alloy Steel, Environmentally Sealed, IP65



APPROVALS



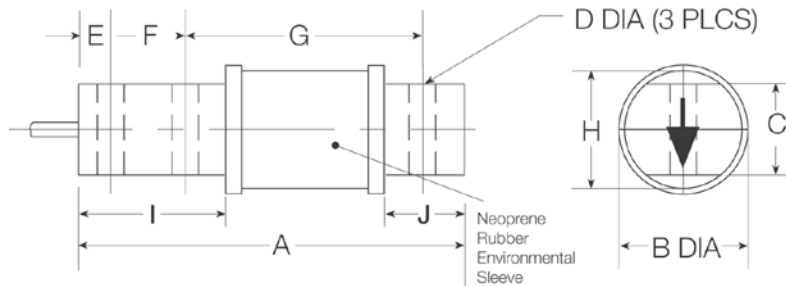
Dimensions

Picture is a representation of actual product

Rated Capacity	A	B	C	D	E	F	G	H	I	J
lb/in										
25-500	2.81	1.30	0.62	0.26	0.25	0.50	1.81	1.00	1.00	0.50

Order Information

Load Rating	Part #	Est. Weight	Price
25 lb	17369	2 lb	\$260.00
50 lb	17370	2 lb	\$260.00
75 lb	17371	2 lb	\$260.00
100 lb	17372	2 lb	\$260.00
150 lb	17373	2 lb	\$260.00
250 lb	17374	2 lb	\$260.00
500 lb	17375	2 lb	\$260.00



Interchangeable Products

RICE LAKE WEIGHING SYSTEMS

RL50210..... page 154

VPG® REVERE®

5503..... —

ARTECH®

50210..... —

Specifications

Full Scale Output:

3.0 mV/V

Output Resistance:

349-355 ohms

Input Resistance:

380-450 ohms

Material/Finish:

High-alloy steel, nickel plated

Temperature:

Operating range
0° F to 150° F (-18° C to 65° C)

Seal Type:

Environmentally sealed with a neoprene sleeve,
IP65

Safe Overload:

150% full scale

Rated Excitation:

5- 10 V DC (15 V maximum)

Nonlinearity:

0.03% full scale

Hysteresis:

0.02% full scale

Insulation Resistance:

5,000 megohms

Deflection at Capacity:

25-50 lb=0.008 in
75-100 lb=0.010 in
150 lb=0.012 in
250 lb=0.016 in
500 lb=0.025 in

Cable Length:

20 ft

Cable Diameter:

0.200 in polyurethane jacket

Cable Color Code:

Red +Excitation
Black -Excitation
Green +Signal
White -Signal

Warranty:

One-year limited warranty

Approvals:

cFMus

Interchangeable Products

NCI®/WEIGH-TRONIX®
Mark V.....—

Specifications

- Full Scale Output:**
2.0 mV/V nominal
- Output Resistance:**
349-355 ohms
- Input Resistance:**
350-450 ohms
- Material/Finish:**
Stainless steel
- Temperature:**
Operating range
0° F to 150° F (-18° C to 65° C)
- Seal Type:**
Environmentally sealed, IP67
- Safe Overload:**
150% full scale
- Rated Excitation:**
5- 10 V DC (15 V maximum)

- Nonlinearity:**
0.03% full scale
- Hysteresis:**
0.02% full scale
- Insulation Resistance:**
5,000 megohms
- Deflection at Capacity:**
50-100 lb=0.013 in
200 lb=0.015 in
400-500 lb=0.023 in
1,000=0.016 in
- Cable Length:**
10 ft
25 ft
- Cable Diameter:**
0.200 in polyurethane jacket

- Cable Color Code:**
Red +Excitation
Black -Excitation
Green +Signal
White -Signal

- Warranty:**
One-year limited warranty

- Approvals:**
cFMus



APPROVALS



Dimensions

Picture is a representation of actual product

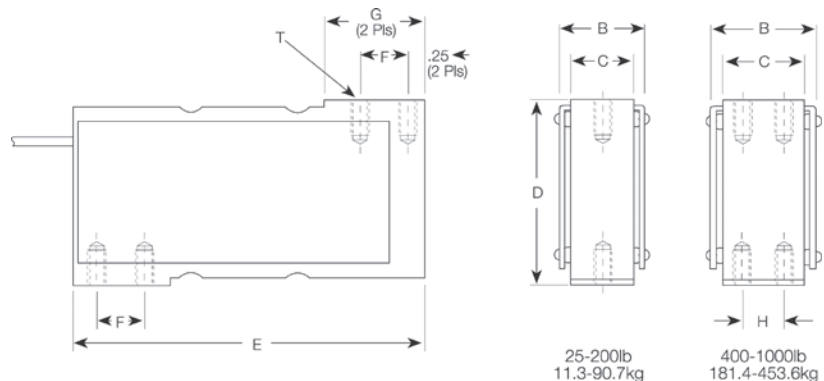
Rated Capacity	T	B	C	D	E	F	G	H
lb/in								
50-200	1/4-28 UNF × 0.75 DP	1.25	1.00	3.00	6.00	1.00	1.50	—
400-500	1/4-28 UNF × 0.75 DP	1.25	1.00	3.00	6.00	1.00	1.50	0.50
1,000	5/16-24 UNF × 0.75 DP	1.75	1.50	3.00	6.00	1.00	1.50	1.00

Order Information

Load Rating	Part #	Est. Weight	Price
10 ft Cable			
50 lb	17421	4 lb	\$630.00
100 lb	17423	4 lb	\$630.00
200 lb	17425	4 lb	\$630.00
400 lb	17427	5 lb	\$673.00
500 lb	17429	5 lb	\$689.00
1,000 lb	17431	6 lb	\$736.00
25 ft Cable			
1,000 lb	17514	7 lb	\$779.00
Adapters			
Adapter kit	400 lb & 500 lb	25562	— \$45.00
Single adapter	25 lb-200 lb	17683	— \$37.00

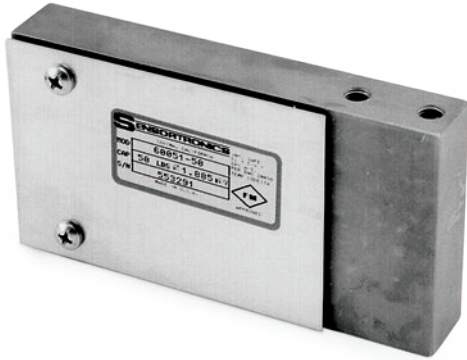
PN25562 is needed to convert 400lb-500lb capacity cells to these bases

PN17683 is needed to use the VPG Sensortronics 60048 load cell in NCI model 3255 and 3256 bases, 50lb-200lb capacities



SINGLE POINT 60051

Stainless Steel, Environmentally Sealed, IP67



APPROVALS



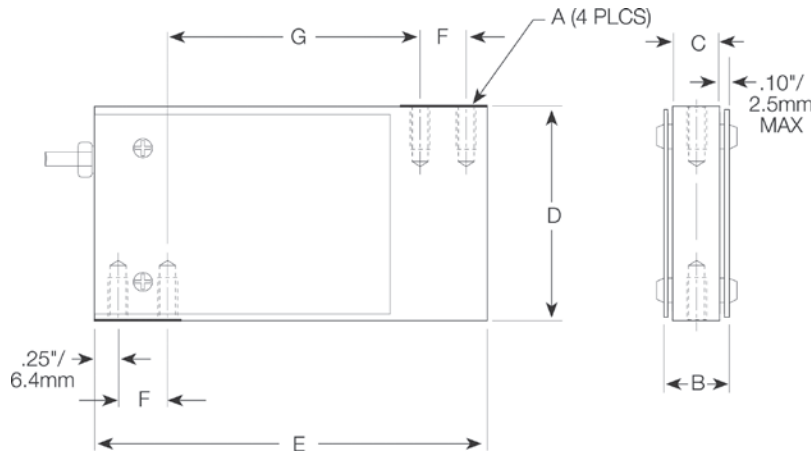
Dimensions

Picture is a representation of actual product

Rated Capacity	A	B	C	D	E	F	G
10-25 lb/in	1/4-28 UNF	0.70	0.50	2.50	4.63	0.75	2.62
50-200	1/4-28 UNF	0.95	0.75	2.50	4.63	0.75	2.62

Order Information

Load Rating	Part #	Est. Weight	Price
10 lb	17432	2 lb	\$450.00
15 lb	17433	2 lb	\$450.00
25 lb	17434	2 lb	\$450.00
50 lb	17435	3 lb	\$450.00
100 lb	17436	3 lb	\$450.00
200 lb	17437	3 lb	\$450.00



Interchangeable Products

NCI® WEIGHTRONICS	
Mark III	—
NCI WEIGHTRONICS	
Mark IX	—

Specifications

- Full Scale Output:**
2.0 mV/V
- Output Resistance:**
349-355 ohms
- Input Resistance:**
380-450 ohms
- Material/Finish:**
Stainless steel
- Temperature:**
Operating range
0° F to 150° F (-18° C to 65° C)
- Seal Type:**
Environmentally sealed, IP67
- Safe Overload:**
150% full scale
- Rated Excitation:**
5- 10 V DC (15 V maximum)
- Nonlinearity:**
0.03% full scale
- Hysteresis:**
0.02% full scale
- Insulation Resistance:**
5,000 megohms
- Deflection at Capacity:**
1-15 lb=0.0014 in
25-200 lb=0.0010 in
- Cable Length:**
10 ft
- Cable Diameter:**
0.200 in polyurethane jacket
- Cable Color Code:**
Red +Excitation
Black -Excitation
Green +Signal
White -Signal
- Warranty:**
One-year limited warranty
- Approvals:**
cFMus

Specifications

Full Scale Output:
2.0 mV/V

Output Resistance:
349-355 ohms

Input Resistance:
400 nominal Ohms

Material/Finish:
Aluminum, clear anodized

Temperature:
Compensated range
14° F to 104° F (-10° C to 40° C)
Operating range
0° F to 150° F (-18° C to 65° C)

Seal Type:
Environmentally sealed, IP67

Safe Overload:
150% full scale

Safe Sideload:
100% full scale

Rated Excitation:
5- 10 V DC (15 V maximum)

Max. Platform Size:
30 in × 30 in

Combined Error:
0.02% full scale

Insulation Resistance:
5,000 megohms

Deflection at Capacity:
100-250 lb=0.010 in
500-2,000 lb=0.006 in

Cable Length:
10 ft

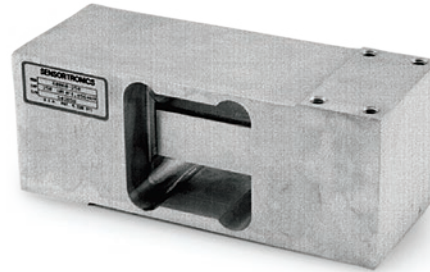
Cable Diameter:
0.200 in polyurethane jacket

Cable Color Code:
Red +Excitation
Black -Excitation
Green +Signal
White -Signal

Warranty:
One-year limited warranty

Approvals:
cFMus
NTEP

APPROVALS



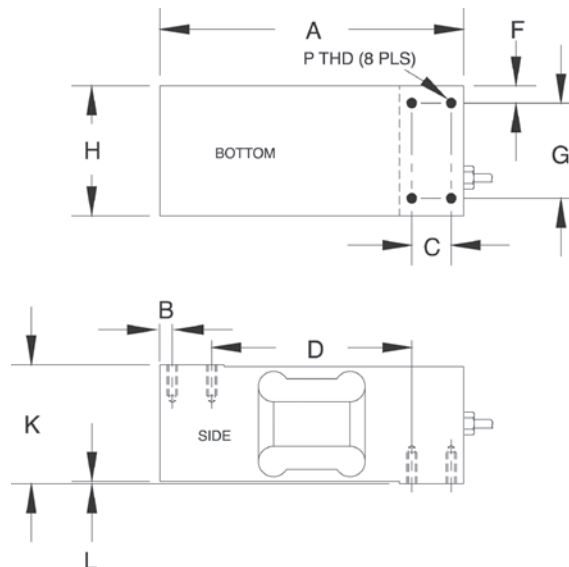
Dimensions

Picture is a representation of actual product

Rated Capacity	A	B	C	D	F	G	H	K	L	P
100-2,000	7.50	0.31	0.98	4.92	0.30	2.36	2.95	2.95	0.06	5/16-18-UNC × 0.75 DP

Order Information

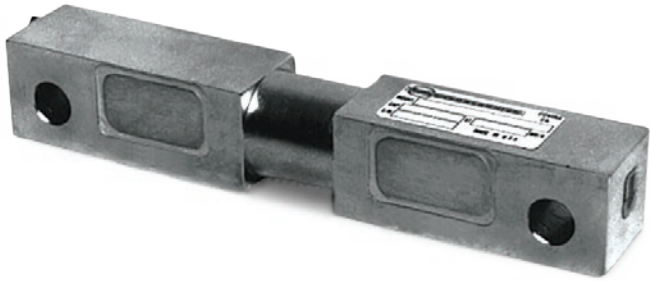
Load Rating	Part #	Est. Weight	Price
NTEP Certified			
250 lb	17582	6 lb	\$371.00
300 lb	112689	6 lb	\$371.00
500 lb	17583	6 lb	\$371.00
750 lb	17584	6 lb	\$371.00
1,000 lb	17585	6 lb	\$371.00
2,000 lb	17586	6 lb	\$371.00
Non-NTEP Certified			
100 lb	36479	6 lb	\$371.00
150 lb	112688	6 lb	\$371.00



DOUBLE-ENDED BEAM

65016

Alloy Steel, Environmentally Sealed, IP67



APPROVALS



Interchangeable Products

- RICE LAKE WEIGHING SYSTEMS
- RL75016**page 166
- VPG® CELTRON
- DSR**page 231
- VPG® REVERE
- 5203** —

Weigh Module Available

- RICE LAKE WEIGHING SYSTEMS
- RL1600 Series** .page 98 and page 100

Dimensions

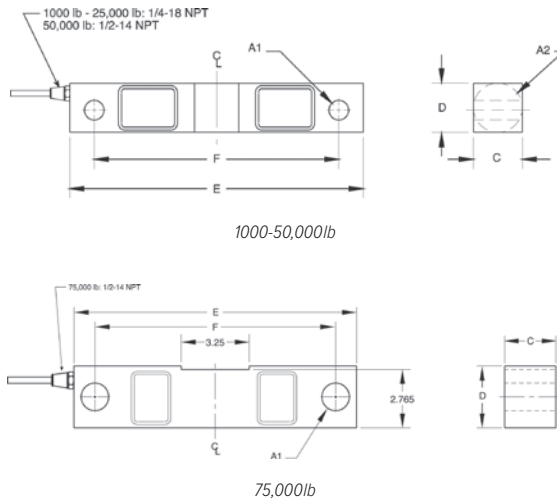
Picture is a representation of actual product

Rated Capacity	A1	A2	C	D	E	F	CONDUIT ADAPTER
lb/in							
1,000-5,000	0.50	1.25	1.25	1.25	7.50	6.25	1/4-18 NPT
10,000-25,000	0.81	1.99	1.44	1.94	8.75	7.50	1/4-18 NPT
35,000	0.81	2.50	1.50	2.50	8.75	7.50	1/4-18 NPT
50,000	1.31	3.00	2.44	2.94	13.50	11.50	1/2-14 NPT
75,000	1.31	—	2.44	2.94	13.50	11.50	1/2-14 NPT

Order Information

Load Rating	Part #	Est. Weight	Price
1,000 lb	17268	4 lb	\$583.00
1,500 lb	17270	4 lb	\$583.00
2,500 lb	17273	4 lb	\$583.00
5,000 lb	17275	4 lb	\$583.00
10,000 lb	17277	7 lb	\$662.00
15,000 lb	17279	7 lb	\$662.00
20,000 lb	17281	7 lb	\$662.00
25,000 lb	17282	7 lb	\$662.00
35,000 lb	46498	8 lb	\$917.00
50,000 lb	17284	27 lb	\$1,033.00
75,000 lb*	25358	27 lb	\$1,033.00

*75,000lb capacity has a square center



Specifications

- Full Scale Output:**
3.0 mV/V nominal
- Output Resistance:**
699-707 ohms
- Input Resistance:**
686-714 ohms
- Material/Finish:**
High-alloy steel, nickel plated
- Temperature:**
Operating range
0° F to 150° F (-18° C to 65° C)
- Seal Type:**
Environmentally sealed, IP67
- Safe Overload:**
150% full scale
- Safe Sideload:**
100% full scale
- Rated Excitation:**
5- 10 V DC (15 V maximum)
- Nonlinearity:**
0.03% full scale
- Hysteresis:**
0.02% full scale
- Insulation Resistance:**
5,000 megohms
- Cable Length:**
25 ft
- Cable Diameter:**
1,000-25,000 lb=0.200 in
50,000-75,000 lb=0.301 in
polyurethane jacket
- Cable Color Code:**
Red +Excitation
Black -Excitation
Green +Signal
White -Signal

Warranty:
One-year limited warranty

Approvals:
cFMus

Interchangeable Products

RICE LAKE WEIGHING SYSTEMS

RL75016WHE..... page 170

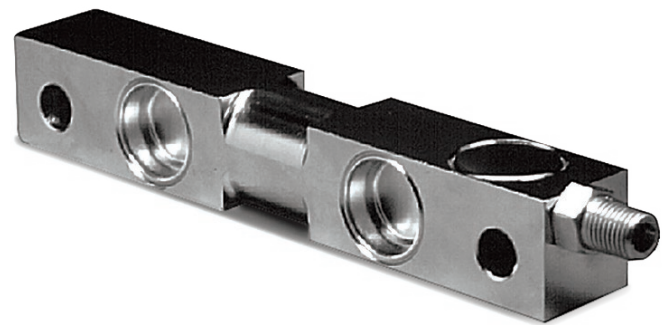
VPG® SENSORTRONICS

65016WH..... page 328

Weigh Module Available

RICE LAKE WEIGHING SYSTEMS

RL1600 Series.....page 98 and page 100



APPROVALS



Dimensions

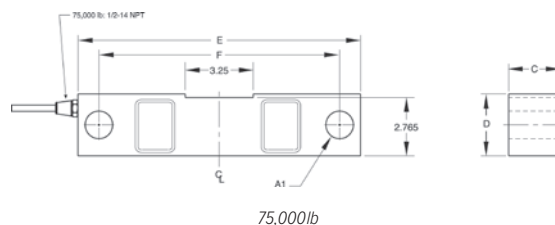
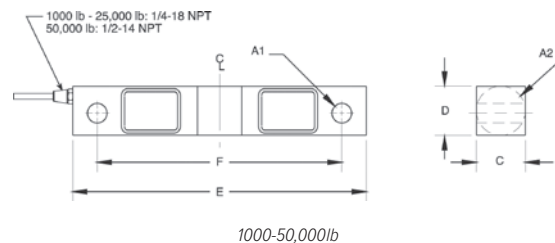
Picture is a representation of actual product

Rated Capacity	E	G	A1	A2	B	C	CONDUIT ADAPTER	F
lb/in								
1,000-5,000	0.50	1.25	1.25	1.25	7.50	6.25	1/4-18 NPT	1.12
10,000-25,000	0.81	1.99	1.44	1.94	8.75	7.50	1/4-18 NPT	1.62
50,000	1.31	3.00	2.44	2.94	13.50	11.50	1/2-14 NPT	3.75
75,000	1.31	—	2.44	2.94	13.50	11.50	1/2-14 NPT	3.75

Order Information

Load Rating	Part #	Est. Weight	Price
1,000 lb	36295	4 lb	\$630.00
1,500 lb	36296	4 lb	\$630.00
2,000 lb	36297	4 lb	\$630.00
2,500 lb	36298	4 lb	\$630.00
5,000 lb	36299	4 lb	\$630.00
10,000 lb	36300	7 lb	\$715.00
15,000 lb	36301	7 lb	\$715.00
20,000 lb	36302	7 lb	\$715.00
25,000 lb	36303	7 lb	\$715.00
50,000 lb	36304	27 lb	\$1,479.00
75,000 lb*	36305	27 lb	\$1,479.00

*75,000lb capacity has a square center



Specifications

Full Scale Output:

3.0 mV/V nominal

Output Resistance:

699-707 ohms

Input Resistance:

686-714 ohms

Material/Finish:

Stainless steel

Temperature:

Operating range
0°F to 150°F (-18°C to 65°C)

Seal Type:

Welded-seal, IP67

Safe Overload:

150% full scale

Safe Sideload:

100% full scale

Rated Excitation:

5- 10 V DC (15 V maximum)

Nonlinearity:

0.03% full scale

Hysteresis:

0.02% full scale

Insulation Resistance:

5,000 megohms

Cable Length:

25 ft

Cable Diameter:

1,000-25,000 lb = 0.200 in
50,000-75,000 lb = 0.305 in
polyurethane jacket

Cable Color Code:

Red +Excitation
Black -Excitation
Green +Signal
White -Signal

Warranty:

One-year limited warranty

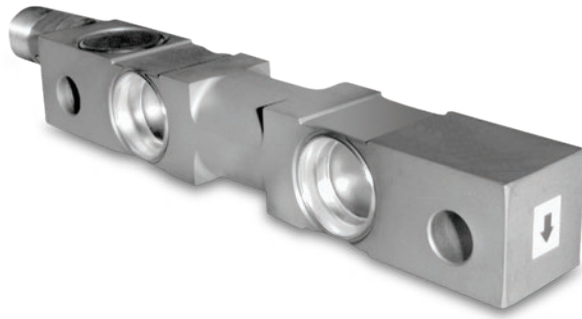
Approvals:

cFMus

DOUBLE-ENDED BEAM

65016WH

Stainless Steel, Hermetically Sealed, IP68



APPROVALS



Interchangeable Products

- RICE LAKE WEIGHING SYSTEMS
RL75016WHE..... page 170
- RICE LAKE WEIGHING SYSTEMS
RL75016SS*page 168
- VPG® SENSORTRONICS
65016W*page 327

Weigh Module Available

- RICE LAKE WEIGHING SYSTEMS
RL1600 Series .page 98 and page 100

*Welded-seal

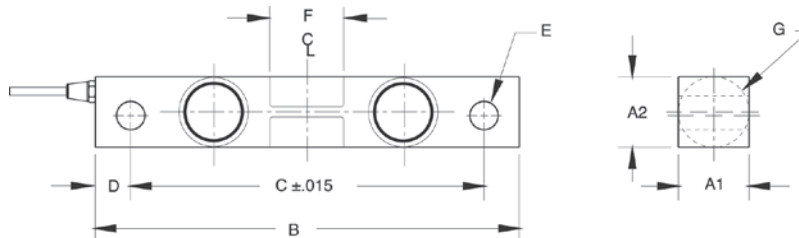
Dimensions

Picture is a representation of actual product

Rated Capacity lb/in	A1	A2	B	C	D	E	F	G	CONDUIT ADAPTER
1,000-5,000	1.22	1.22	7.50	6.25	0.62	0.50	1.12	1.25	1/2-14 NPT
10,000-25,000	1.44	1.94	8.75	7.50	0.62	0.81	1.62	1.99	1/2-14 NPT

Order Information

Load Rating	Part #	Est. Weight	Price
1,000 lb	65827	4 lb	\$736.00
1,500 lb	65828	4 lb	\$736.00
2,000 lb	65829	4 lb	\$736.00
2,500 lb	65830	4 lb	\$736.00
5,000 lb	65831	4 lb	\$736.00
10,000 lb	65832	7 lb	\$843.00
15,000 lb	65833	7 lb	\$843.00
20,000 lb	65834	7 lb	\$843.00
25,000 lb	65835	7 lb	\$843.00



Specifications

- Full Scale Output:**
3.0 mV/V nominal
- Output Resistance:**
699-707 ohms
- Input Resistance:**
686-714 ohms
- Material/Finish:**
Stainless steel
- Temperature:**
Operating range
0° F to 150° F (-18° C to 65° C)
- Seal Type:**
Hermetically sealed, IP68
- Safe Overload:**
150% full scale
- Safe Sideload:**
100% full scale
- Rated Excitation:**
5- 10 VDC (15 V maximum)
- Nonlinearity:**
0.03% full scale
- Hysteresis:**
0.02% full scale
- Insulation Resistance:**
5,000 megohms
- Cable Length:**
25 ft
- Cable Diameter:**
0.200 in polyurethane jacket
- Cable Color Code:**
Red +Excitation
Black -Excitation
Green +Signal
White -Signal
- Warranty:**
One-year limited warranty
- Approvals:**
cFMus

Interchangeable Products

RICE LAKE WEIGHING SYSTEMS
RL75058-LP page 171
 VPG® CELTRON
CLB page 233

Weigh Module Available

RICE LAKE WEIGHING SYSTEMS
RL2100 HE page 40
 RICE LAKE WEIGHING SYSTEMS
MVS page 106



APPROVALS



Specifications

- Full Scale Output:**
3.0 mV/V
- Output Resistance:**
699-707 ohms
- Input Resistance:**
686-714 ohms
- Material/Finish:**
High-alloy steel, nickel plated
- Temperature:**
Compensated range
14° F to 104° F (-10° C to 40° C)
Operating range
0° F to 150° F (-18° C to 65° C)
- Seal Type:**
Environmentally sealed, IP67
- Safe Overload:**
150% full scale
- Safe Sideload:**
100% full scale
- Rated Excitation:**
5- 10 VDC (15 V maximum)
- Combined Error:**
0.02% full scale
- Insulation Resistance:**
1,000 megohms
- Cable Length:**
35 ft

Cable Diameter:
 10,000-25,000 lb=0.200 in
 40,000-125,000 lb=0.305 in
 polyurethane jacket

Cable Coloring:
 Red +Excitation
 Black -Excitation
 Green +Signal
 White -Signal

Warranty:
 One-year limited warranty

Approvals:
 cFMus
 NTEP

Dimensions

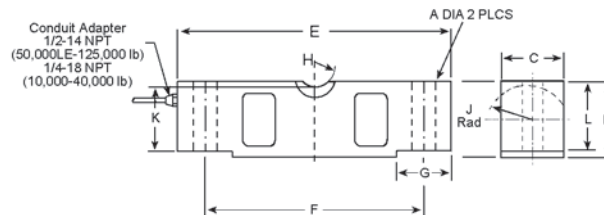
Picture is a representation of actual product

Rated Capacity lb/in	A	C	D	E	F	G	H	J	K	L
10,000-25,000	0.68	1.69	1.94	7.75	6.50	1.38	0.75	0.90	1.63	1.70
40,000-50,000 SE	0.81	1.94	2.44	10.25	8.50	1.93	1.00	1.12	2.00	2.10
50,000 LE-75,000	1.06	2.44	2.94	10.25	8.50	1.93	1.00	1.37	2.54	2.65
100,000-125,000	1.62	2.90	3.86	15.25	12.75	3.13	1.50	1.80	3.30	3.43

Order Information

Load Rating	Part #	Est. Weight	Price
NTEP Certified			
20,000 lb	21592	7 lb	\$673.00
25,000 lb	21593	7 lb	\$673.00
40,000 lb	21608	13 lb	\$805.00
50,000 lb SE	26081	13 lb	\$895.00
50,000 lb LE	21594	21 lb	\$895.00
60,000 lb	21595	21 lb	\$895.00
75,000 lb	21596	21 lb	\$895.00
100,000 lb	21609	40 lb	\$1,669.00
125,000 lb	21610	40 lb	\$1,669.00
Non-NTEP Certified			
10,000 lb	17287	7 lb	\$652.00
60 ft cable			
75,000 lb	39459	26 lb	\$911.00

SE=small envelope; LE=large envelope



65058S

Stainless Steel, Welded Seal, NTEP Certified 1:10,000 Class IIIIL Multiple Cell, IP67



APPROVALS



Weigh Module Available

RICE LAKE WEIGHING SYSTEMS
RL2100 HE..... page 40
 RICE LAKE WEIGHING SYSTEMS
MVS.....page 106

Specifications

- Full Scale Output:**
3.0 mV/V
- Output Resistance:**
699-707 ohms
- Input Resistance:**
686-714 ohms
- Material/Finish:**
Stainless steel
- Temperature:**
Compensated range
14° F to 104° F (-10° C to 40° C)
Operating range
0° F to 150° F (-18° C to 65° C)
- Seal Type:**
Welded-seal, IP67
- Safe Overload:**
150% full scale
- Safe Sideload:**
100% full scale
- Rated Excitation:**
5- 10 VDC (15 V maximum)
- Nonlinearity:**
0.03% full scale
- Hysteresis:**
0.02% full scale
- Insulation Resistance:**
1,000 megohms
- Cable Length:**
35 ft
60 ft
- Cable Diameter:**
20,000-25,000 lb=0.200 in
40,000-125,000 lb=0.305 in
polyurethane jacket
- Cable Coloring:**
Red +Excitation
Black -Excitation
Green +Signal
White -Signal
- Warranty:**
One-year limited warranty

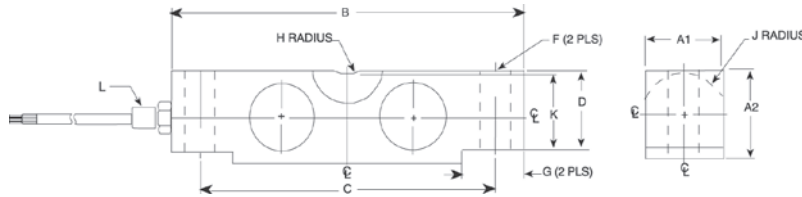
Dimensions

Picture is a representation of actual product

Rated Capacity	A1	A2	B	C	D	F	G	H	J	K	L
20,000-25,000	1.69	1.94	7.75	6.50	1.70	0.68	1.38	0.75	0.90	1.63	1/4-18 NPT
40,000	1.94	2.44	10.25	8.50	2.10	0.81	1.93	1.00	1.12	2.00	1/4-18 NPT
50,000-75,000	2.44	2.94	10.25	8.50	2.65	1.06	1.93	1.00	1.37	2.54	1/2-14 NPT
100,000	2.44	3.44	10.25	8.50	2.65	1.06	1.93	1.00	1.37	2.54	1/2-14 NPT
125,000	2.90	3.86	15.25	12.75	3.43	1.62	3.13	1.50	1.80	3.30	1/2-14 NPT

Order Information

Load Rating	Part #	Est. Weight	Price
35 ft Cable			
20,000 lb	45475	7 lb	\$927.00
25,000 lb	45476	7 lb	\$927.00
40,000 lb	45477	11 lb	\$1,160.00
50,000 lb	45478	14 lb	\$1,160.00
60,000 lb	45479	20 lb	\$1,160.00
75,000 lb	45480	20 lb	\$1,160.00
100,000 lb	45481	40 lb	\$2,433.00
125,000 lb	45482	40 lb	\$2,963.00
60 ft Cable			
75,000 lb	48698	20 lb	\$1,240.00



Interchangeable Products

- FAIRBANKS®
Rodan 90814-40 k..... —
- FAIRBANKS
Rodan 91088-50 k..... —

Specifications

- Full Scale Output:**
3.0mmV/V
- Output Resistance:**
699-707 ohms
- Input Resistance:**
686-714 ohms
- Material/Finish:**
High-alloy steel, nickel plated
Stainless steel
- Temperature:**
Compensated range
14° F to 104° F (-10° C to 40° C)
Operating range
0° F to 150° F (-18° C to 65° C)
- Seal Type:**
Environmentally sealed, IP67
Welded-seal, IP67 - pn 67387
- Safe Overload:**
150% full scale
- Safe Sideload:**
100% full scale
- Rated Excitation:**
5- 10 V DC (15 V maximum)
- Combined Error:**
0.02% full scale
- Insulation Resistance:**
5,000 ohms
- Cable Length:**
60 ft - copper over braid
- Cable Diameter:**
0.230 in polyurethane jacket
- Cable Coloring:**
Red +Excitation
Black -Excitation
Green +Signal
White -Signal
- Warranty:**
One-year limited warranty

Approvals:

- cFMus
- NTEP

APPROVALS



PN 154800 shown

Dimensions

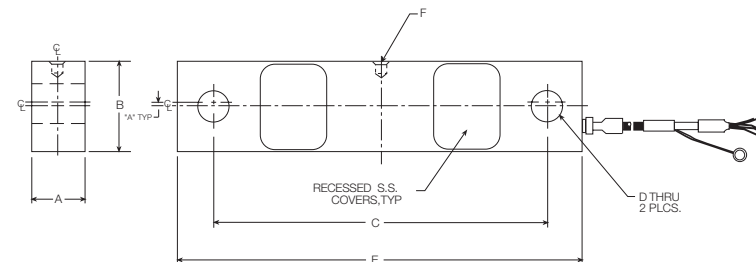
Picture is a representation of actual product

Rated Capacity	A	B	C	D	E	F
lb/in						
40,000	1.94	2.44	8.75	0.78	10.50	0.257 × 0.375 DP
50,000	1.94	2.44	8.75	0.78	10.50	0.257 × 0.375 DP

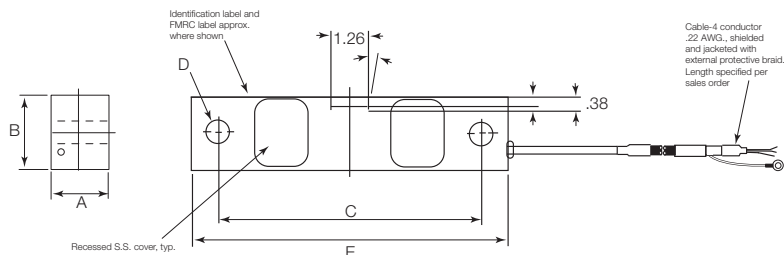
Order Information

Load Rating	Part #	Est. Weight	Price
Alloy Steel			
40,000 lb	47850	18 lb	\$1,267.00
50,000 lb	47851	18 lb	\$1,267.00
Stainless Steel			
50,000 lb (welded-seal)	67387	18 lb	\$1,410.00
50,000 lb* (environmentally sealed)	154800	18 lb	\$1,267.00
Mounting Assembly Accessories*			
Load Button	25524	1 lb	\$51.00
Load Pin	50807	1 lb	\$98.00
Bearing Screw	44837	1 lb	\$130.00
Bushing	50748	1 lb	\$40.00
Load Cell Stand	50767	1 lb	\$327.00
Support Pin	50747	1 lb	\$35.00
Washer	15180	1 lb	\$2.30
Cotter Pin	15244	1 lb	\$1.50
Load Button (use with 154800)*	154802	1 lb	\$37.00

*Counterbored hole for load button



PN 47850, 47851, 67387



PN 154800

DOUBLE-ENDED BEAM
65040A

Alloy Steel, Environmentally Sealed, NTEP Certified Class III L Multiple Cell 1:6,000/1:10,000, IP67



APPROVALS



Picture is a representation of actual product

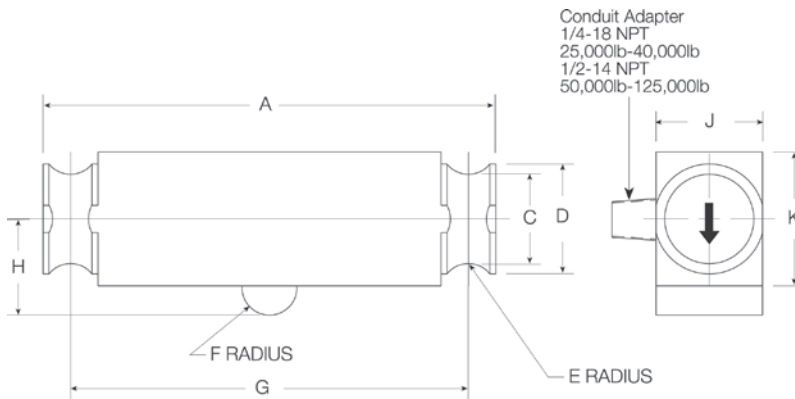
Dimensions

Rated Capacity lb/in	A	C	D	E	F	G	H	J	K
25,000-50,000 SE	8.25	1.63	2.00	0.50	0.50	7.25	1.75	1.94	2.44
50,000-75,000	11.50	1.70	2.20	0.75	1.00	10.00	2.00	1.94	2.94
100,000-125,000	14.50	2.44	3.20	1.00	1.50	12.50	2.75	2.90	3.86

Order Information

Load Rating	Part #	Est. Weight	Price
NTEP Certified			
25,000 lb	21598	11 lb	\$673.00
40,000 lb	21599	11 lb	\$805.00
50,000 lb SE	69562	11 lb	\$805.00
50,000 lb	21600	19 lb	\$885.00
60,000 lb	21601	19 lb	\$885.00
75,000 lb	21602	19 lb	\$885.00
100,000 lb	21603	40 lb	\$1,670.00
125,000 lb	21604	40 lb	\$1,670.00

SE=small envelope



Interchangeable Products

- RICE LAKE WEIGHING SYSTEMS
RL75040 page 178
- THURMAN®
TSC 840 —

Weigh Module Available

- RICE LAKE WEIGHING SYSTEMS
Translink™ page 108

Specifications

- Full Scale Output:**
3.0 mV/V
- Output Resistance:**
686-714 ohms
- Input Resistance:**
699-707 ohms
- Material/Finish:**
High-alloy steel, nickel plated
- Temperature:**
Compensated range
14° F to 104° F (-10° C to 40° C)
Operating range
0° F to 150° F (-18° C to 65° C)
- Seal Type:**
Environmentally sealed, IP67
- Safe Overload:**
150% full scale
- Safe Sideload:**
100% full scale
- Rated Excitation:**
5- 10 VDC (15 V maximum)
- Combined Error:**
0.02% full scale
- Insulation Resistance:**
1,000 megohms
- Cable Length:**
35 ft
- Cable Diameter:**
25,000 lb=0.200 in
50,000-125,000 lb=0.305 in
polyurethane jacket
- Cable Coloring:**
Red +Excitation
Black -Excitation
Green +Signal
White -Signal
- Warranty:**
One-year limited warranty
- Approvals:**
cFMus
NTEP

Interchangeable Products

RICE LAKE WEIGHING SYSTEMS

RL75040 page 178

VPG® SENSORTRONICS

65040A page 332

Specifications

Full Scale Output:
3.0 mV/V

Output Resistance:
699-707 ohms

Input Resistance:
686-714 ohms

Material/Finish:
Stainless steel

Temperature:
Compensated range
14° F to 104° F (-10° C to 40° C)
Operating range
0° F to 150° F (-18° C to 65° C)

Seal Type:
Welded-seal, IP68

Safe Overload:
150% full scale

Safe Sideload:
100% full scale

Rated Excitation:
5- 10 VDC (15 V maximum)

Combined Error:
0.02% full scale

Insulation Resistance:
5,000 megohms

Cable Length:
35 ft

Cable Diameter:
25,000 lb=0.200 in
40,000-75,000 lb=0.301 in
polyurethane jacket

Cable Coloring:
Red +Excitation
Black -Excitation
Green +Signal
White -Signal

Warranty:
One-year limited warranty

Approvals:
cFMus
NTEP

APPROVALS



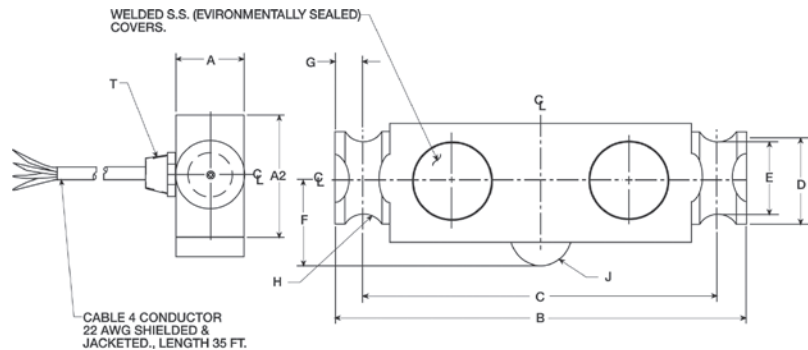
Dimensions

Picture is a representation of actual product

Rated Capacity	A	A2	B	C	D	E	F	G	H	J	T
25,000-40,000 lb/in	1.94	2.44	8.25	7.25	2.00	1.63	1.75	0.50	0.50	0.50	1/4-18 NPT
50,000-75,000 lb/in	1.94	2.94	11.50	10.00	2.20	1.70	2.00	0.75	0.75	1.00	1/4-18 NPT

Order Information

Load Rating	Part #	Est. Weight	Price
25,000 lb	45467	15 lb	\$810.00
40,000 lb	45468	15 lb	\$970.00
50,000 lb	45469	25 lb	\$1,055.00
60,000 lb	45470	25 lb	\$1,055.00
75,000 lb	45471	25 lb	\$1,055.00



DOUBLE-ENDED BEAM

65040A-1127W

Alloy Steel, Welded Seal, NTEP Certified 1:10,000 Class III Multiple Cell, IP67



APPROVALS



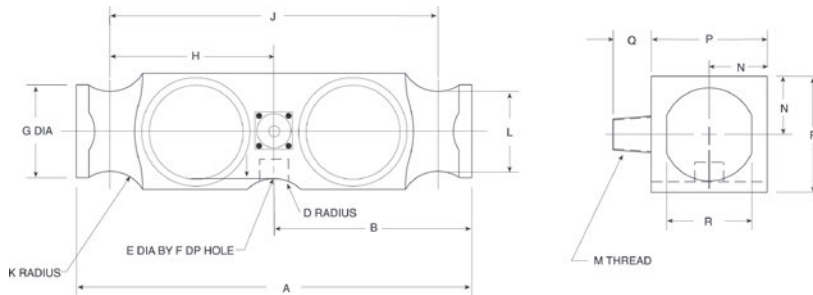
Dimensions

Picture is a representation of actual product

Rated Capacity	A	B	D	E	F	G	H	J	K	L	M	N	P	Q	R
50,000-65,000	10.25	5.12	1.00	0.75	0.78	2.40	4.25	8.50	1.00	2.06	1/2-14 NPT	1.50	3.00	1.03	2.20
100,000	10.25	5.12	1.00	—	—	2.40	4.25	8.50	1.00	2.06	1/2-14 NPT	1.50	3.00	1.03	2.20

Order Information

Load Rating	Part#	Est. Weight	Price
50,000 lb	66080	18 lb	\$1,055.00
65,000 lb	87162	20 lb	\$1,055.00
100,000 lb	87163	20 lb	\$1,405.00



Interchangeable Products

RICE LAKE WEIGHING SYSTEMS	
RL75223	page 176
VPG® REVERE	
5223	page 293
ARTECH®	
80210	—
THURMAN®	
TSC 800	—

Weigh Module Available

RICE LAKE WEIGHING SYSTEMS	
Translink™	page 108

Specifications

Full Scale Output:
3.0 mV/V

Output Resistance:
686-714 ohms

Input Resistance:
699-707 ohms

Material/Finish:
High-alloy steel

Temperature:
Compensated range
14° F to 104° F (-10° C to 40° C)
Operating range
0° F to 150° F (-18° C to 65° C)

Seal Type:
Welded-seal, IP67
(Conduit is recommended for maximum protection against the ingress of water and moisture through the cable entry)

Safe Overload:
150% full scale

Safe Sideload:
100% full scale

Rated Excitation:
5- 10 VDC (15 V maximum)

Non-repeatability:
0.01% full scale

Combined Error:
0.03% full scale

Insulation Resistance:
1,000 megohms

Deflection at Capacity:
50,000 lb=0.018 in
65,000 lb=0.022 in
100,000 lb=0.034 in

Cable Length:
40 ft

Cable Diameter:
0.305 in polyurethane jacket

Cable Color Code:
Red +Excitation
Black -Excitation
Green +Signal
White -Signal

Warranty:
One-year limited warranty

Approvals:
cFMus
NTEP

Interchangeable Products

FAIRBANKS®

63951.....-

Specifications

Full Scale Output:

2.0 mV/V nominal

Output Resistance:

1,000 (±10 ohms)

Input Resistance:

1,000 ohms

Material/Finish:

Stainless steel

Temperature:

Compensated range
14° F to 104° F (-10° C to 40° C)
Operating range
0° F to 150° F (-18° C to 65° C)

Seal Type:

Hermetically sealed, IP68

Safe Overload:

150% full scale

Rated Excitation:

5- 10 VDC (15 V maximum)

Combined Error:

0.03% full scale

Insulation Resistance:

1,000 megohms

Cable Length:

35 ft

Cable Diameter:

0.305 in polyurethane jacket

Cable Color Code:

Red +Excitation
Black -Excitation
Green +Signal
White -Signal

Warranty:

Two-year limited warranty

Approvals:

cFMus
NTEP

APPROVALS



Dimensions

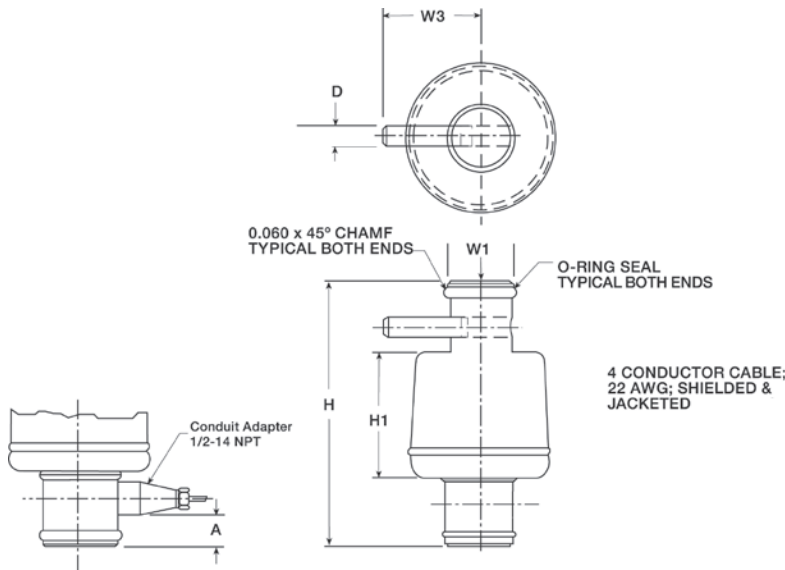
Picture is a representation of actual product

Rated Capacity	A	D	H	H1	H2	W1	W2	W3
lb/in								
50,000	0.62	0.38	6.00	2.82	1.59	1.46	1.46	2.50
50,000 LE	0.62	0.38	7.56	2.82	1.59	1.46	1.46	2.50

Order Information

Load Rating	Part #	Est. Weight	Price
50,000 lb	46497	5 lb	\$842.00
50,000 lb LE	47952	6 lb	\$842.00
Options			
Replacement anti-rotational pins	116181	1 lb	\$5.00
Replacement O-ring	92988	1 lb	\$1.00

LE=large envelope



VPG Tedea-Huntleigh

TABLE OF CONTENTS

S-BEAMS

Page 341

620, STAINLESS STEEL



Ideally suited for harsh environments, lever conversions, hopper/tanks, vibratory feeders, general purpose weighing and force measurement applications. The stainless steel, welded cavity design provides protection against water and corrosive materials. Capacities range from 500 kg to 2,000 kg. Complete with 5 m of load cell cable.



SINGLE-ENDED

Page 342

3411/3421, ALLOY STEEL AND STAINLESS STEEL



This family of high quality, single-ended beams is available in both alloy and stainless steel with NTEP Certification. These products are ideal for low-profile platforms, pallet truck weighers, tanks and silos. The durable stainless steel product offering is new and provides a solid choice for more severe weighing applications. Both versions are available in capacities ranging from 1,000 lb to 10,000 lb. A standard 10 ft of load cell cable is provided.



Page 343

3510-NTEP, STAINLESS STEEL



Low profile and all-welded sealing combined with high accuracy makes the 3510 ideally suited for low-profile platforms, weigh modules, tanks and silos. Hermetic sealing and polyurethane shielded cable enable it to function in harsh environments while maintaining its operating specifications. Capacities range from 1,000 lb to 4,000 lb.



Page 344

3510-OIML, STAINLESS STEEL



This 3510 is a 6,000 division OIML approved single-ended beam. Low profile and all-welded sealing combined with high accuracy makes the 3510 ideally suited for low-profile platforms, weigh modules, tanks and silos. Polyurethane shielded cable enable it to function in harsh environments while maintaining its operating specifications. Capacities range from 500 kg to 5,000 kg.



Page 345

355, STAINLESS STEEL



Welded stainless steel construction, welded sealing and polyurethane shielded cable enables the 355 to function in harsh environments while maintaining its operating specifications. Suitable for low-profile platforms, weighing and packing machines, electromechanical conversions and general-purpose weighing applications. Capacities range from 5 kg to 500 kg.



SINGLE POINT

Page 346

1022, ALUMINUM



Very low profile, single-point load cell designed for direct mounting in low-cost platforms. Anodized aluminum construction is combined with two-beam machined technology to provide an affordable load cell option. Capacities range from 3 kg to 35 kg. Complete with 1.5 ft or 10 ft of load cell cable.



Page 347

1010/1015, ALUMINUM



Off-center loading load cell designed for direct mounting of a weighing platform and simplifying construction of platform scales. Long-term stability and durability are maintained. Load cells with potted cavities are available for improved performance in damp environments. The model 1015 has a balanced bridge for applications where multiple cells are used. Capacities range from 3 kg to 90 kg.



VPG Tedea-Huntleigh

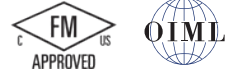
SINGLE POINTS

Page 348

1030, ALUMINUM



This high-performance product is the standard in many of today's postal or price computing scales. This very low-profile, three-beam single point load cell is insensitive to off-center loads, which is a critical element in providing accurate results. The 1030 is also coated with a unique humidity-resistant protective coating to assure long-term stability in harsh environments and extreme temperatures. This model is available in capacities ranging from 3 kg to 15 kg, and comes standard with 1 m of load cell cable.



Page 349

1042, ALUMINUM



A lower-profile single point load cell for platform weighing. This model is constructed of aluminum and is a two-beam design. This design offers high immunity to side forces and is specially coated to provide humidity resistance. Capacities range from 1 kg to 100 kg. Complete with 10 ft of load cell cable.



Page 350

1040, ALUMINUM



Low-profile, off-center loading load cell. Designed for direct mounting of weighing platforms, hanging scales and other low capacity beam applications. Long-term stability and durability are maintained. Load cells with potted cavities are available for improved performance in damp environments. Capacities range from 5 kg to 100 kg.



Page 351

1130, STAINLESS STEEL



The VPG® Tedea-Huntleigh 1130 is a stainless steel, single-point load cell that is designed for high performance in harsh environments. This product is primarily designed for platform weighing but is cost-effective to make it an appropriate selection for numerous applications. Capacities range from 7.5 kg to 100 kg and is provided complete with 1.5 m, 3 m or 25 ft of load cell cable.



Page 352

1140, STAINLESS STEEL



Low-profile, off-center loading load cell designed for direct mounting of weighing platforms, hanging scales and other low capacity beam applications. Stainless steel construction and a unique humidity-resistant protective coating provide long-term stability, even in harsh environments. Load cells with potted cavities are available for improved performance in damp environments. Capacities range from 15 kg to 150 kg.



Page 353

1240, STAINLESS STEEL



The 1240 is a low-profile single point load cell that is compact in design, considering the 200 kg and 250 kg capacity range. This cell is ideally suited for light-industrial or people-weighing applications where overall deck height is a concern. The three-beam design makes the load cell less likely to be impacted by side forces and mounting imperfections. It features stainless steel construction and humidity-resistant coating for use in harsh environments with extreme temperatures. Each unit is provided with a standard 10 ft cable.



VPG Tedea-Huntleigh

SINGLE POINTS

Page 354

1142, STAINLESS STEEL



Its small physical size, combined with high accuracy and low cost make the 1142 the perfect selection for new or retrofit scales. Stainless steel construction along with a humidity-resistant protective coating helps ensure stable operation in damp environments. The 1142 is NTEP Certified and is available with OIML approval. It comes with 10 ft of standard load cell cable. Capacities range from 10 kg to 150 kg.



Page 355

1260, ALUMINUM



High capacity, off-center loading aluminum single-point load cell. This model is of the two-beam design, and is specially coated to assure durability in harsh environments. Capacities range from 50 kg to 635 kg. Complete with 10 ft of load cell cable.



Page 356

1260S, ALUMINUM



This single-point, off-center loading, aluminum load cell is designed for high-capacity applications and harsh environments. NTEP Certified to 10,000 divisions. Capacities range from 75 kg to 635 kg. Complete with 10 ft of load cell cable.



Page 357

1263, ALUMINUM



The rugged construction of the 1263 offers high immunity to side loads, making it suitable for a wide array of applications like bench scales and process weighing. Its special humidity resistant protective coating helps assure long-term stability over the entire compensated range. It is constructed of high quality aluminum and comes standard with 1.5 meters of load cell cable. The 1263 is available in capacities from 50 kg to 635 kg and is OIML approved.



Page 358

1250, ALUMINUM



High capacity, off-center loading load cell accurately weighs loads from 50 kg to 1,000 kg. Long-term stability and durability are maintained. Load cells with potted cavities are available for improved performance in damp environments.



Page 359

1320, ALUMINUM



Model 1320 is a high capacity single-point load cell. Direct mounting of low-profile platforms simplifies the construction of floor scales, weigh bars, hanging scales and other types of weighing devices. Individually adjusted to eliminate corner errors. Capacities range from 1,000 kg to 2,000 kg.



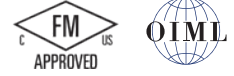
VPG Tedea-Huntleigh

Page 360

1510, STAINLESS STEEL



The 1510 is a stainless steel, welded-seal cell ideally suited for washdown applications. Capacities range from 100 kg to 500 kg.



Page 361

240, ALLOY STEEL/STAINLESS STEEL, FLUID DAMPED



These load cells decrease weighing time and improve weighing accuracy in high-speed weighing applications. Since damping also protects the cells from shock and vibration, the load cell can endure harsh conditions, such as those encountered in repeated shock-loading applications. This also enables damped load cells to last longer than undamped load cells in any application. The cells are sealed, protecting them in washdown situations. Capacities range from 2 kg to 50 kg.



Page 362

9010, ALUMINUM, FLUID DAMPED



Model 9010 is a self-contained weighing module for use in repeated shock-loading applications or where fast weighing and settling times are required. Each is custom manufactured per specific application requirements. Capacities range from 3 kg to 50 kg.



PLANAR BEAM

Page 363

380, ALUMINUM



Model 380 is a very low profile planar beam design, allowing direct mounting in low profile platform scales. The range of capacities and low profile makes model 380 most suitable for use in a wide range of applications.



COMPRESSION CANISTER

Page 364

220, STAINLESS STEEL



Model 220 is a low profile, bending ring load cell designed for high capacity weighing applications, including weighbridges, tanks, silos, high capacity platform scales and force measurement. OIML approved.



Page 365

120, STAINLESS STEEL



The model 120 is a stainless steel, welded -seal canister offered in capacities from 20,000 kg to 50,000 kg and includes load cup and load pin.

Page 366

VPG® TEDEA-HUNTLEIGH MODEL 9010 APPLICATION DEFINITION FORM

Weigh Module Available

RICE LAKE WEIGHING SYSTEMS
ITCM Isolated Tension
Cell Mount.....page 44

Specifications

- Full Scale Output:**
2.0 mV/V
- Output Resistance:**
350 (± 3) ohm
- Input Resistance:**
400 (± 20) ohm
- Material/Finish:**
Stainless steel
- Temperature:**
Compensated range
14°F to 104°F (-10°C to 40°C)
Operating range
0° F to 150° F (-18° C to 65° C)

- Seal Type:**
Welded-seal, IP68
- Safe Overload:**
150% full scale
- Rated Excitation:**
5-10 VDC (15 V maximum)

- Combined Error:**
0.02% full scale
- Insulation Resistance:**
1,000 megohms
- Cable Length:**
5 m

- Cable Diameter:**
0.220 in polyurethane jacket

- Cable Color Code:**
Blue +Excitation
Black -Excitation
White +Signal
Red -Signal
Green +Sense
Grey -Sense

- Warranty:**
One-year limited warranty

- Approvals:**
cFMus
NTEP
Ex (Available upon request)
OIML (Available upon request)

APPROVALS



Available upon request



Available upon request



Dimensions

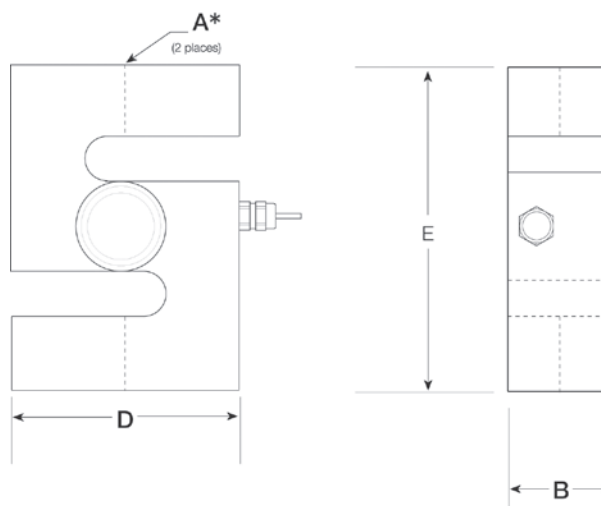
Picture is a representation of actual product

Rated Capacity	A*	B	D	E
kg/mm				
500-1,000	1/2-20 UNF	33.5	73.2	94.0
2,000	3/4-16 UNF	33.5	73.2	94.0

*Metric threads available

Order Information

Load Rating	Part #	Est. Weight	Price
500 kg	36389	4 lb	\$689.00
1,000 kg	36390	4 lb	\$689.00
2,000 kg	36391	4 lb	\$689.00



SINGLE-ENDED BEAM 3411/3421

Alloy/Stainless Steel, Environmentally Sealed, NTEP Certified 1:3,000 Single Cell, 1:5,000 Multiple Cell Class III, IP67



APPROVALS



Available upon request



Available upon request

Interchangeable Products

- RICE LAKE WEIGHING SYSTEMS
RL30000I page 142
- RICE LAKE WEIGHING SYSTEMS
RL39123* page 145
- VPG® REVERSE
5123 page 282
- VPG® REVERSE
9123* page 283

Weigh Module Available

- RICE LAKE WEIGHING SYSTEMS
RL50210TA page 50
- RICE LAKE WEIGHING SYSTEMS
RL1800 Series page 62

*Stainless steel

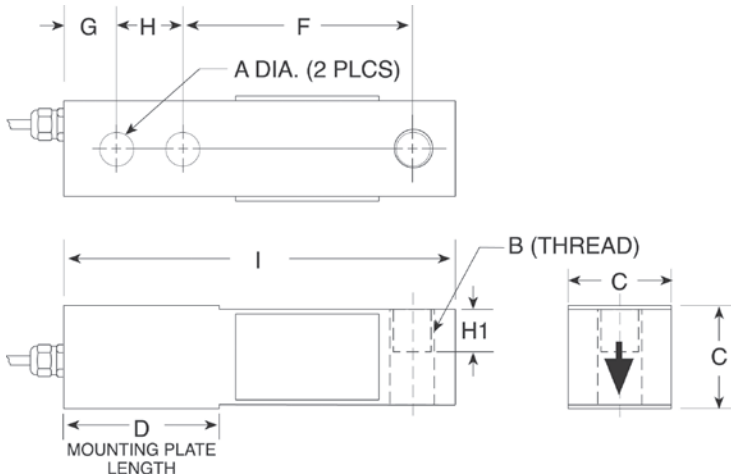
Dimensions

Picture is a representation of actual product

Rated Capacity	A	B	C	D	F	G	H	H1	I
lb/in									
1,000-4,000	0.53	1/2-20 UNF	1.24	2.25	3.00	0.63	1.00	0.60	5.12
5,000-10,000	0.78	3/4-16 UNF	1.49	3.00	3.75	0.75	1.50	0.75	6.75

Order Information

Load Rating	Part #	Est. Weight	Price
Alloy Steel			
1,000 lb	29903	3 lb	\$312.00
2,500 lb	29904	3 lb	\$312.00
4,000 lb	29905	3 lb	\$312.00
5,000 lb	29906	4 lb	\$397.00
10,000 lb	29907	4 lb	\$397.00
Stainless Steel			
1,000 lb	47871	3 lb	\$371.00
2,500 lb	47872	3 lb	\$371.00
4,000 lb	47873	3 lb	\$350.00
5,000 lb	47874	4 lb	\$445.00
10,000 lb	47875	4 lb	\$471.00



Specifications

Full Scale Output:
3.0 mV/V

Output Resistance:
351 (± 5) ohm

Input Resistance:
385 (± 10) ohm

Material/Finish:
High-alloy - nickel plated
Stainless steel

Temperature:
Compensated range
14°F to 104°F (-10°C to 40°C)
Operating range
0° F to 150° F (-18° C to 65° C)

Seal Type:
Environmentally sealed, IP67

Safe Overload:
150% full scale

Safe Sideload:
100% full scale

Rated Excitation:
5-10 VDC (15 V maximum)

Combined Error:
0.03% full scale

Insulation Resistance:
2,000 megohms

Deflection at Capacity:
1,000-10,000 lb=0.015 in

Cable Length:
10 ft

Cable Diameter:
0.200 in PVC jacket

Cable Color Code:
Red +Excitation
Black -Excitation
Green +Signal
White -Signal
Blue +Sense
Brown -Sense

Warranty:
One-year limited warranty

Approvals:
cFMus
NTEP
Ex (Available upon request)
OIML (Available upon request)

Interchangeable Products

- VPG® SENSORTRONICS
65083..... page 320
- VPG® CELTRON
SQB-HSS..... page 228

Weigh Module Available

- RICE LAKE WEIGHING SYSTEMS
RL1700 HE.....page 34

Specifications

- Full Scale Output:**
3.0 mV/V
- Output Resistance:**
350 (± 3) ohm
- Input Resistance:**
415 (± 15) ohm
- Material/Finish:**
Stainless steel
- Temperature:**
Compensated range
14°F to 104°F (-10°C to 40°C)
Operating range
0° F to 150° F (-18° C to 65° C)

Seal Type:
Welded-seal, IP68

Safe Overload:
150% full scale

Safe Sideload:
100% full scale

Rated Excitation:
5-10 VDC (15 V maximum)

Combined Error:
0.02% full scale

Insulation Resistance:
1,000 megohms

Deflection at Capacity:
1,000-4,000 lb=0.015 in

Cable Length:
5 m

Cable Diameter:
0.220 in polyurethane jacket

Cable Color Code:
Blue +Excitation
Black -Excitation
White +Signal
Red -Signal
Green +Sense
Grey -Sense

Warranty:
One-year limited warranty

Approvals:
cFMus
NTEP

APPROVALS



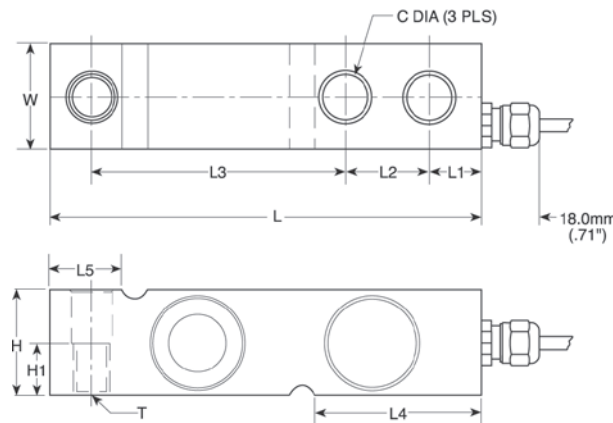
Dimensions

Picture is a representation of actual product

Rated Capacity	C	C1	H	H1	L	L1	L2	L3	L4	L5	T	W
lb/in												
1,000-4,000	0.53	0.53	1.26	0.63	5.12	0.62	1.00	3.00	1.97	0.91	1/2-20 UNF	1.26

Order Information

Load Rating	Part #	Est. Weight	Price
1,000 lb	36458	3 lb	\$515.00
1,500 lb	36459	3 lb	\$515.00
2,500 lb	36460	3 lb	\$515.00
4,000 lb	36461	3 lb	\$515.00



SINGLE-ENDED BEAM

3510-OIML

Stainless Steel, Welded Seal, OIML C3, IP68



APPROVALS



Available upon request

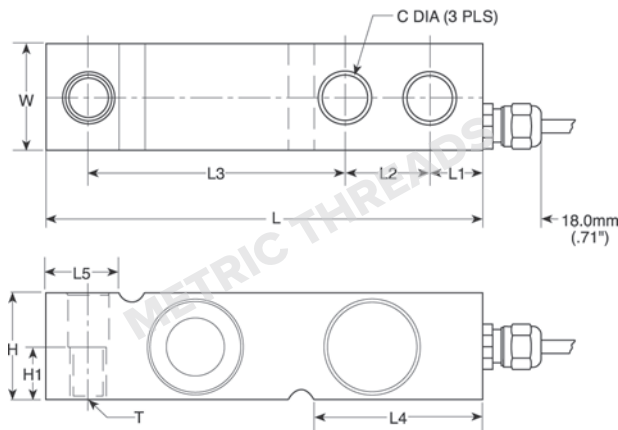
Picture is a representation of actual product

Dimensions

Rated Capacity	C	C1	H	H1	L	L1	L2	L3	L4	L5	T	W
kg/mm												
500-2,000	13.5	13.5	32.0	16.0	130.0	15.8	25.4	76.2	50.5	23.5	M12 × 1.75 Thrd.	32.0
5,000	20.5	20.5	48.0	—	171.5	19.0	38.1	95.3	70.0	37.0	—	36.5

Order Information

Load Rating	Part #	Est. Weight	Price
500 kg	30161	3 lb	\$514.00
1,000 kg	30162	3 lb	\$514.00
2,000 kg	30163	3 lb	\$514.00
5,000 kg	30164	5 lb	\$514.00



Interchangeable Products

RICE LAKE WEIGHING SYSTEMS
RLHTOpage 150

Weigh Module Available

RICE LAKE WEIGHING SYSTEMS
RL1700 HEpage 34

Specifications

Full Scale Output:
2.0 mV/V

Output Resistance:
350 (± 3) ohm

Input Resistance:
380 (± 10) ohm

Material/Finish:
Stainless steel

Temperature:
Operating range
0° F to 150° F (-18° C to 65° C)

Seal Type:
Welded-seal, IP68

Safe Overload:
150% full scale

Safe Sideload:
100% full scale

Rated Excitation:
5-10 VDC (15 V maximum)

Combined Error:
0.02% full scale

Insulation Resistance:
2,000 megohms

Deflection at Capacity:
500-5,000 kg=0.015 in

Cable Length:
5 m

Cable Diameter:
0.220 in polyurethane jacket

Cable Color Code:
Blue +Excitation
Black -Excitation
White +Signal
Red -Signal
Green +Sense
Gray -Sense

Warranty:
One-year limited warranty

Approvals:
cFMus
OIML
Ex (Available upon request)

Stainless Steel, Welded Seal, NTEP Certified 1:4,000 Single Cell, 1:5,000 Multiple Cell Class III, IP68

Interchangeable Products

- RICE LAKE WEIGHING SYSTEMS
RLHBB..... —
- RICE LAKE WEIGHING SYSTEMS
RL9018SS.....page 141
- VPG® REVERE
SHB.....page 289
- HBM®
Z6.....page 262

Weigh Module Available

- RICE LAKE WEIGHING SYSTEMS
RL1700 HE.....page 34

Specifications

- Full Scale Output:**
2.0 mV/V
- Output Resistance:**
355 (± 5) ohm
- Input Resistance:**
380 (± 10) ohm
- Material/Finish:**
Stainless steel
- Temperature:**
Compensated range
14°F to 104°F (-10°C to 40° C)
Operating range
0° F to 150° F (-18° C to 65° C)

- Seal Type:**
Welded-seal, IP68
- Safe Overload:**
150% full scale
- Rated Excitation:**
5- 10 VDC (15 V maximum)

- Combined Error:**
0.02% full scale
- Insulation Resistance:**
2,000 megohms
- Deflection at Capacity:**
5-500 kg=0.015 in

- Cable Length:**
10 ft
- Cable Diameter:**
0.220 in polyurethane jacket
- Cable Color Code:**
Blue +Excitation
Black -Excitation
White +Signal
Red -Signal
Green +Sense
Grey -Sense

- Warranty:**
One-year limited warranty

- Approvals:**
cFMus
NTEP
Ex (Available upon request)
OIML (Available upon request)

APPROVALS



Available upon request



Available upon request



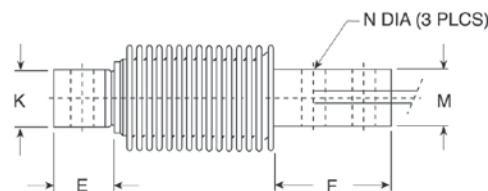
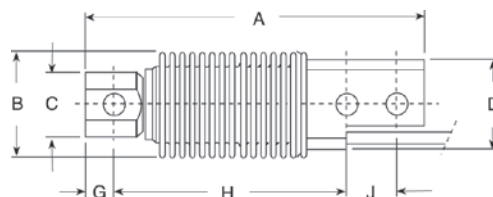
Dimensions

Picture is a representation of actual product

Rated Capacity	A	B	C	D	E	F	G	H	J	K	M	N
kg/mm												
5-500	120.0	40.0	23.0	32.0	20.5	45.5	10.0	82.0	18.0	20.0	20.0	8.2

Order Information

Load Rating	Part #	Est. Weight	Price
5 kg	30165	2 lb	\$556.00
10 kg	30166	2 lb	\$556.00
20 kg	30167	2 lb	\$556.00
50 kg	30168	2 lb	\$556.00
100 kg	30169	2 lb	\$556.00
200 kg	30170	2 lb	\$556.00
250 kg	30171	2 lb	\$525.00
500 kg	36463	2 lb	\$556.00



SINGLE POINT
1022

Aluminum, Environmentally Sealed, NTEP Certified 1:5,000 Class III Single Cell, OIML C3, IP66



APPROVALS



Available upon request

Picture is a representation of actual product

Dimensions

Rated Capacity	A	B	C	D	E	F	G	H
kg/mm								
3-7	130.0	22.0	25.0	M6 × 1.0	25.4	15.0	106.0	12.0
10-30	130.0	22.0	25.0	M6 × 1.0	30.0	15.0	106.0	12.0
35	130.0	22.0	25.0	M6 × 1.0	40.0	15.0	106.0	12.0

Order Information

Load Rating	Part #	Est. Weight	Price
1.5 ft Cables			
3 kg	41135	2 lb	\$148.00
5 kg	41136	2 lb	\$148.00
7 kg	41137	2 lb	\$148.00
10 kg	41138	2 lb	\$148.00
15 kg	41139	2 lb	\$148.00
20 kg	41140	2 lb	\$148.00
30 kg	41141	2 lb	\$148.00
35 kg	41142	2 lb	\$148.00
10 ft Cables			
3 kg	132269	2 lb	\$148.00
5 kg	132270	2 lb	\$148.00
7 kg	132271	2 lb	\$148.00
10 kg	132272	2 lb	\$148.00
15 kg	132273	2 lb	\$148.00
20 kg	132274	2 lb	\$148.00
30 kg	132275	2 lb	\$148.00
35 kg	132276	2 lb	\$148.00
1.5 ft Cables			
10 kg	150770	2 lb	\$148.00
15 kg	150771	2 lb	\$148.00
20 kg	150772	2 lb	\$148.00
30 kg	150773	2 lb	\$148.00

Interchangeable Products

RICE LAKE WEIGHING SYSTEMS

RL1521A.....page 191

VPG® CELTRON

LPS..... page 234

VPG® BLH

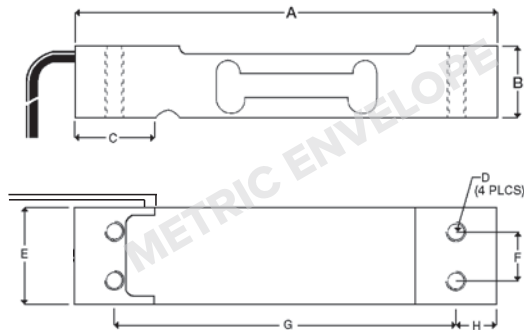
C2G1..... —

NMB®

C2G1..... —

Specifications

- Full Scale Output:**
2.0 mV/V
- Output Resistance:**
350 (± 3) ohm
- Input Resistance:**
415 (± 15) ohm
- Material/Finish:**
Anodized aluminum
- Temperature:**
Compensated range
14°F to 104°F (-10°C to 40°C)
Operating range
0° F to 150° F (-18° C to 65° C)
- Seal Type:**
Environmentally sealed, IP66
- Safe Overload:**
150% full scale
- Rated Excitation:**
5- 10 VDC (15 V maximum)
- Combined Error:**
0.02% full scale
- Insulation Resistance:**
2,000 megohms
- Cable Length:**
10 ft
1.5 ft
- Cable Diameter:**
0.140 in PVC jacket
- Cable Color Code:**
Green +Excitation
Black -Excitation
Red +Signal
White -Signal
- Platform Size:**
13.78 in × 13.78 in
- Warranty:**
One-year limited warranty
- Approvals:**
cFMus
NTEP
OIML
Ex (Available upon request)



Interchangeable Products

RICE LAKE WEIGHING SYSTEMS
RL1010.....page 192

Specifications

- Full Scale Output:**
2.0 mV/V
- Output Resistance:**
350 (± 3) ohm
- Input Resistance:**
Model 1010=415 (± 15) ohm
Model 1015=350 (± 3) ohm
- Material/Finish:**
Aluminum
- Temperature:**
Compensated range
14°F to 104°F (-10°C to 40°C)
Operating range
0° F to 150° F (-18° C to 65° C)
- Seal Type:**
Environmentally sealed
Potted, IP67
Unpotted, IP65

Safe Overload:
150% at center of loading point, full scale

Rated Excitation:
5-10 VDC (15 V maximum)

Combined Error:
0.02% full scale

Deflection at Capacity:
0.015 in

Cable Length:
10 ft

Cable Diameter:
0.200 in PVC jacket

Cable Color Code:
Green +Excitation
Black -Excitation
Red +Signal
White -Signal
Blue +Sense
Brown -Sense

Platform Size:
15.75 in × 15.75 in

Warranty:
One-year limited warranty

Approvals:
cFMus
NTEP



APPROVALS



Picture is a representation of actual product

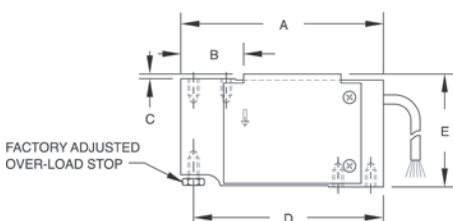
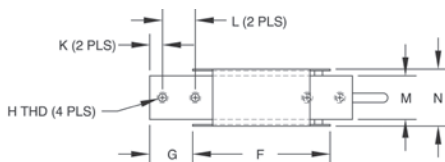
Dimensions

Rated Capacity	A	B	C	D	E	F	G	H	K	L	M	N
kg/mm												
3-90	118.0	34.0	3.0	110.5	66.0	80.0	25.0	(1010) 1/4-20 UNC × 13 DP (1015) M6 Metric	7.5	19.1	25.4	33.5

Order Information

Load Rating	Part #	Est. Weight	Price
1010 NTEP Certified, Potted			
10 kg	33727	2 lb	\$207.00
15 kg	33728	2 lb	\$207.00
20 kg	33729	2 lb	\$207.00
30 kg	33730	2 lb	\$207.00
50 kg	33731	2 lb	\$207.00
1010 Non-NTEP Certified, Potted			
5 kg	17462	2 lb	\$207.00
7 kg	17463	2 lb	\$207.00
10 kg	17464	2 lb	\$207.00
15 kg	17465	2 lb	\$207.00
20 kg	17482	2 lb	\$207.00
30 kg	17475	2 lb	\$207.00
50 kg	17476	2 lb	\$207.00
90 kg	17471	2 lb	\$207.00
1010 NTEP Certified, Unpotted			
5 kg	33732	2 lb	\$190.00
7 kg	33733	2 lb	\$190.00
1010 Non-NTEP Certified, Unpotted			
3 kg	17481	1.2 lb	\$190.00
1015 NTEP Certified, Potted			
5 kg	188805	2 lb	\$222.00
7 kg	188806	2 lb	\$222.00
10 kg	188807	2 lb	\$222.00
15 kg	188808	2 lb	\$222.00
20 kg	188809	2 lb	\$222.00
30 kg	188810	2 lb	\$222.00
50 kg	188811	2 lb	\$222.00
1015 Non-NTEP Certified, Potted			
3 kg	188804	1.2 lb	\$222.00
90 kg	188812	2 lb	\$222.00

Note: Model 1015 has M6 metric threads



SINGLE POINT

1030

Aluminum, Environmentally Sealed, OIML C2.5, IP65

VPG TEDEA-HUNTLEIGH



APPROVALS



Specifications

- Full Scale Output:**
2.0 mV/V
- Output Resistance:**
350 (± 3) ohm
- Input Resistance:**
415 (± 15) ohm
- Material/Finish:**
Anodized aluminum
- Temperature:**
Operating range
0° F to 150° F (-18° C to 65° C)
- Seal Type:**
Environmentally sealed, IP65

Safe Overload:
150% full scale

Rated Excitation:
5- 10 VDC (15 V maximum)

Combined Error:
0.02% full scale

Insulation Resistance:
5,000 megohms

Deflection at Capacity:
0.015 in

Cable Length:
1 m

Cable Diameter:
0.200 in PVC jacket

Cable Color Code:
Green +Excitation
Black -Excitation
Red +Signal
White -Signal
Blue +Sense
Brown -Sense

Platform Size:
13.78 in x 13.78 in

Warranty:
One-year limited warranty

Approvals:
cFMus
OIML

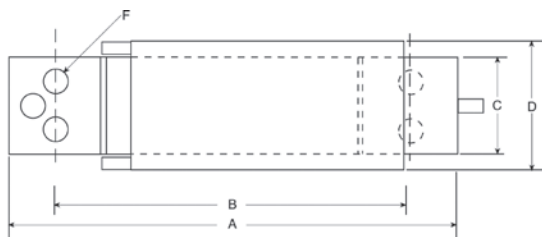
Dimensions

Picture is a representation of actual product

Rated Capacity	A	B	C	D	E	F
kg/mm						
3-15	117.9	93.7	25.4	33.3	32.5	1/4-20 UNC x 10 DP

Order Information

Load Rating	Part #	Est. Weight	Price
3 kg	47882	1lb	\$280.00
5 kg	47883	1lb	\$280.00
7 kg	47884	1lb	\$280.00
10 kg	47885	1lb	\$280.00
15 kg	47886	1lb	\$280.00



www.ricelake.com | Phone: 800-472-6703



Interchangeable Products

RICE LAKE WEIGHING SYSTEMS
RL1042.....page 196
 RICE LAKE WEIGHING SYSTEMS
RL42018A.....page 206

Specifications

- Full Scale Output:**
2.0 mV/V
- Output Resistance:**
350 (± 3) ohm
- Input Resistance:**
415 (± 15) ohm
- Material/Finish:**
Aluminum
- Temperature:**
Compensated range
14°F to 104°F (-10°C to 40°C)
Operating range
0° F to 150° F (-18° C to 65° C)
- Seal Type:**
Environmentally sealed, IP66
- Safe Overload:**
150% full scale
- Rated Excitation:**
5- 10 VDC (15 V maximum)
- Combined Error:**
0.02% full scale
- Deflection at Capacity:**
0.015 in
- Insulation Resistance:**
2,000 megohms
- Cable Length:**
10 ft
- Cable Diameter:**
0.200 in PVC jacket
- Platform Size:**
16 in × 16 in

Cable Color Code:

- Green +Excitation
- Black -Excitation
- Red +Signal
- White -Signal
- Blue +Sense
- Brown -Sense

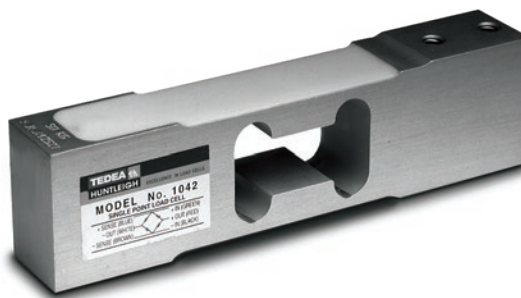
Warranty:
One-year limited warranty

Approvals:
NTEP
cFM
OIML (Available upon request)

APPROVALS



Available upon request



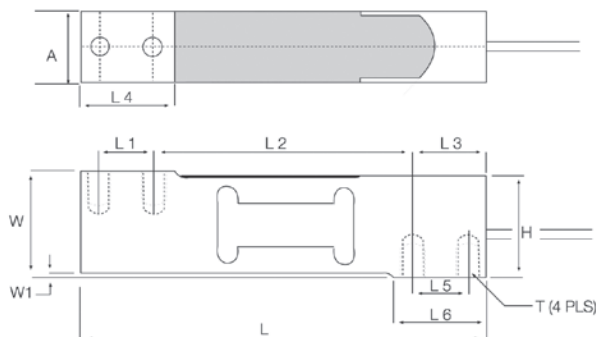
Dimensions

Picture is a representation of actual product

Rated Capacity	A	H	L	L1	L2	L3	L4	L5	I6	W	W1	T
kg/mm												
1-30	20.0	39.0	150.0	19.0	100.0	25.0	34.0	19.0	34.0	40.0	1.0	1/4-20 UNC
50-100	25.2	39.0	150.0	19.0	100.0	25.0	34.0	19.0	34.0	40.0	1.0	1/4-20 UNC

Order Information

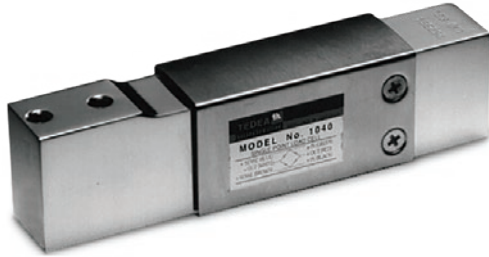
Load Rating	Part #	Est. Weight	Price
1 kg	40680	2 lb	\$190.00
3 kg	40681	2 lb	\$190.00
5 kg	40682	2 lb	\$190.00
10 kg	40683	2 lb	\$190.00
15 kg	40684	2 lb	\$190.00
20 kg	40685	2 lb	\$190.00
30 kg	40686	2 lb	\$190.00
50 kg	40687	2 lb	\$190.00
75 kg	40688	2 lb	\$190.00
100 kg	40689	2 lb	\$190.00



SINGLE POINT

1040

Aluminum, Environmentally Sealed, NTEP Certified 1:5,000 Class III Single Cell, IP65



APPROVALS



Available upon request



Available upon request

Interchangeable Products

RICE LAKE WEIGHING SYSTEMS

RL1040 page 197

METTLER TOLEDO®

0785 —

CARDINAL®

TSP —

Specifications

Full Scale Output:
2.0 mV/V

Output Resistance:
350 (± 3) ohm

Input Resistance:
415 (± 15) ohms

Material/Finish:
Anodized aluminum

Temperature:
Compensated range
14°F to 104°F (-10°C to 40°C)
Operating range
0° F to 150° F (-18° C to 65° C)

Seal Type:
Environmentally sealed, IP65

Safe Overload:
200% at center loading point, full scale

Rated Excitation:
5-10 VDC (15 V maximum)

Combined Error:
0.02% full scale

Insulation Resistance:
2,000 megohms

Deflection at Capacity:
0.015 in

Cable Length:
10 ft

Cable Diameter:
0.200 in PVC jacket

Cable Color Code:
Green +Excitation
Black -Excitation
Red +Signal
White -Signal
Blue +Sense
Brown -Sense

Platform Size:
15.75 in × 15.75 in

Warranty:
One-year limited warranty

Approvals:
cFMus
NTEP
Ex (Available upon request)
OIML (Available upon request)

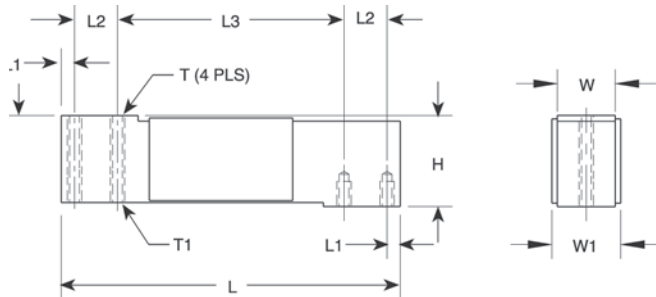
Dimensions

Picture is a representation of actual product

Rated Capacity	H	L	L1	L2	L3	T	T1	W	W1
kg/mm									
5-100	40.00	150.0	5.95	19.1	100.0	1/4-20 UNC × 10 DP	1/4-28 UNF × 10 DP	25.4	29.4

Order Information

Load Rating	Part #	Est. Weight	Price
NTEP Certified, Potted			
10 kg	33719	2 lb	\$207.00
15 kg	33720	2 lb	\$207.00
20 kg	33721	2 lb	\$207.00
30 kg	33722	2 lb	\$207.00
50 kg	33723	2 lb	\$207.00
100 kg	33724	2 lb	\$207.00
Non-NTEP Certified, Potted			
5 kg	17449	2 lb	\$200.00
7 kg	17483	2 lb	\$200.00
NTEP Certified, Unpotted			
5 kg	33725	2 lb	\$190.00
7 kg	33726	2 lb	\$200.00



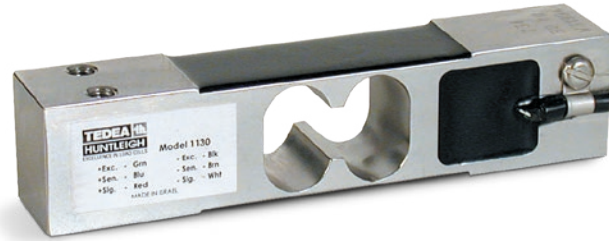
Interchangeable Products

AVERY WEIGH-TRONIX®
MK29.....

Specifications

- Full Scale Output:**
2.0 mV/V
- Output Resistance:**
350 (± 3) ohm
- Input Resistance:**
385 (± 15) ohm
- Material/Finish:**
Stainless steel
- Temperature:**
Compensated range
14°F to 104°F (-10°C to 40°C)
Operating range
0° F to 150° F (-18° C to 65° C)
- Seal Type:**
Environmentally sealed, IP66
- Safe Overload:**
200% full scale, at center loading point
- Rated Excitation:**
5-10 VDC (15 V maximum)
- Total Error:**
0.02% full scale
- Insulation Resistance:**
2,000 megohms
- Deflection at Capacity:**
7.5-100 kg=0.015 in
- Cable Length:**
1.5 m
3 m
25 ft
- Cable Diameter:**
0.200 PVC jacket
- Cable Color Code:**
Green +Excitation
Black -Excitation
Red +Signal
White -Signal
Blue +Sense
Brown -Sense
- Platform Size:**
15.75 in × 15.75 in
- Warranty:**
One-year limited warranty
- Approvals:**
cFMus
NTEP

APPROVALS



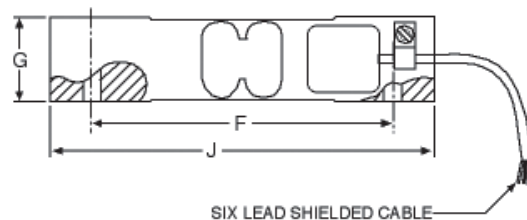
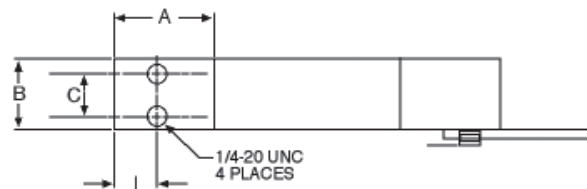
Dimensions

Picture is a representation of actual product

Rated Capacity	A	B	C	F	G	I	J
kg/mm							
7.5-100	35.0	25.0	15.0	106.0	30.0	14.5	135.0

Order Information

Load Rating	Part #	Est. Weight	Price
1.5 m Cable			
7.5 kg	53485	2 lb	\$270.00
10 kg	112374	2 lb	\$270.00
15 kg	53486	2 lb	\$270.00
30 kg	53487	2 lb	\$270.00
50 kg	53488	2 lb	\$270.00
100 kg	53490	2 lb	\$270.00
3 m Cable			
7.5 kg	111381	2 lb	\$280.00
10 kg	112365	2 lb	\$280.00
15 kg	114132	2 lb	\$280.00
30 kg	114133	2 lb	\$280.00
25 ft Cable Trimmed Outputs			
15 kg	124512	2 lb	\$315.00
30 kg	124513	2 lb	\$315.00



SINGLE POINT

1140

Stainless Steel, Environmentally Sealed, Potted IP67



APPROVALS



Interchangeable Products

RICE LAKE WEIGHING SYSTEMS
RL1140.....page 198

Specifications

- Full Scale Output:**
2.0 mV/V
- Output Resistance:**
350 (± 3) ohm
- Input Resistance:**
385 (± 15) ohm
- Material/Finish:**
Stainless steel
- Temperature:**
Operating range
0° F to 150° F (-18° C to 65° C)

Seal Type:
Environmentally sealed, IP67

Safe Overload:
150% at center loading point, full scale

Cable Diameter:
0.200 PVC jacket

Rated Excitation:
5- 10 VDC (15 V maximum)

Combined Error:
0.02% full scale

Insulation Resistance:
2,000 megohms

Deflection at Capacity:
0.015 in

Cable Length:
10 ft

Cable Diameter:
0.200 in PVC jacket

Cable Color Code:
 Green +Excitation
 Black -Excitation
 Red +Signal
 White -Signal
 Blue +Sense
 Brown -Sense

Platform Size:
15.75 in × 15.75 in

Warranty:
One-year limited warranty

Approvals:
cFMus

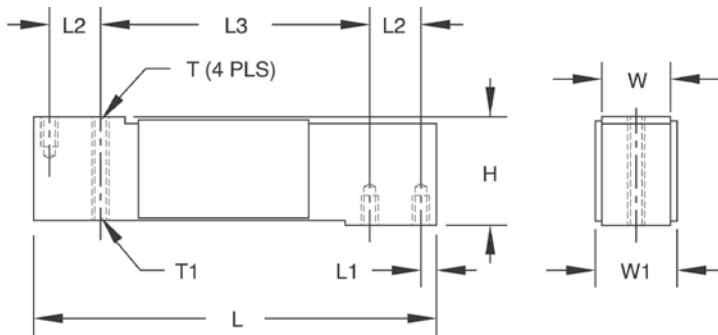
Dimensions

Picture is a representation of actual product

Rated Capacity	H	L	L1	L2	L3	T	T1	W	W1
kg/mm									
15-150	40.0	150.0	5.95	19.1	100.0	1/4-20 UNC × 10 DP	1/4-28 UNF × 10 DP	25.4	29.4

Order Information

Load Rating	Part #	Est. Weight	Price
15 kg	17451	3 lb	\$339.00
30 kg	17452	3 lb	\$339.00
50 kg	17468	3 lb	\$339.00
75 kg	17485	3 lb	\$339.00
100 kg	17453	3 lb	\$339.00
150 kg	36466	3 lb	\$339.00



Specifications

- Full Scale Output:**
2.0 mV/V
- Output Resistance:**
351 (± 5) ohm
- Input Resistance:**
380 (± 15) ohm
- Material/Finish:**
Stainless steel
- Temperature:**
Operating range
0° F to 150° F (-18° C to 65° C)
- Seal Type:**
Environmentally sealed, IP64
- Safe Overload:**
150% full scale
- Rated Excitation:**
5- 10 VDC (15 V maximum)
- Combined Error:**
0.02% full scale
- Insulation Resistance:**
2,000 ohm
- Deflection at Capacity:**
0.015 in
- Cable Length:**
10 ft
- Cable Diameter:**
0.200 in PVC jacket
- Cable Color Code:**
Green +Excitation
Black -Excitation
Red +Signal
White -Signal
Blue +Sense
Brown -Sense
- Platform Size:**
15.5 in × 15.5 in
- Warranty:**
One-year limited warranty
- Approvals:**
cFMus



APPROVALS



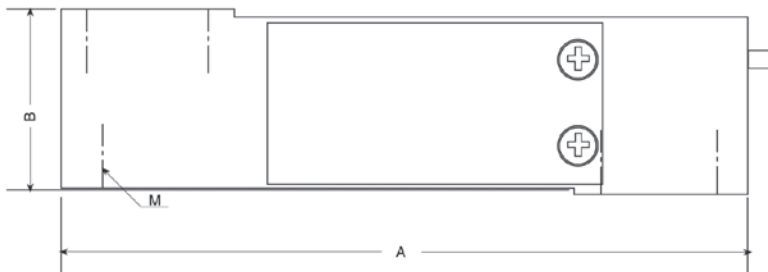
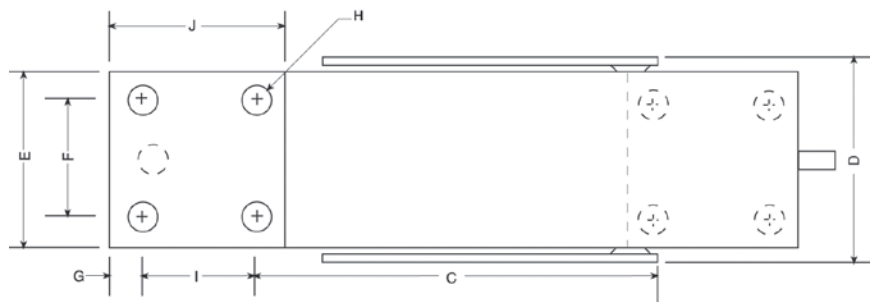
Dimensions

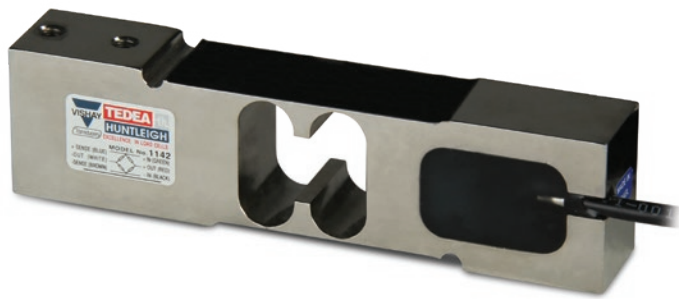
Picture is a representation of actual product

Rated Capacity	A	B	C	D	E	F	G	I	J	H	M
kg/mm											
200-250	150.1	39.9	86.6	43.4	38.1	25.4	6.35	25.4	38.1	1/4-20 UNC × 13 DP	1/4-28 UNF × 10 DP

Order Information

Load Rating	Part #	Est. Weight	Price
200 kg	47880	3 lb	\$371.00
250 kg	47881	3 lb	\$371.00





APPROVALS



Available upon request

Dimensions

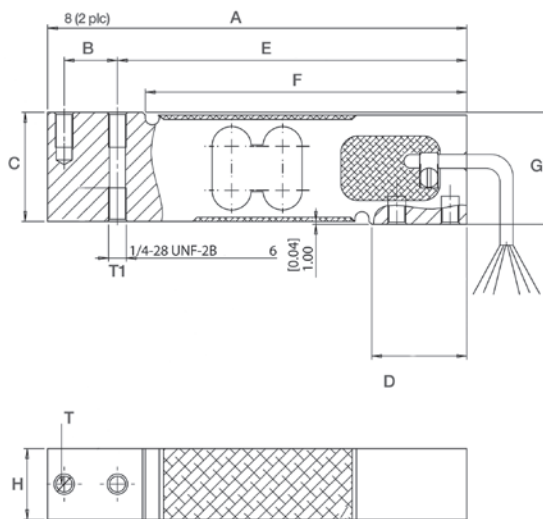
Picture is a representation of actual product

Rated Capacity	A	B	C	D	E	F	G	H	T	T1
kg/mm										
10-150	150.0	19.1	39.0	34.0	125.0	115.0	40.0	25.4	1/4-20 UNC	1/4-28 UNF

Order Information

Load Rating	Part #	Est. Weight	Price
10 kg	156361	3 lb	\$339.00
15 kg	156362	3 lb	\$339.00
20 kg	156363	3 lb	\$339.00
30 kg	156364	3 lb	\$339.00
50 kg	156365	3 lb	\$339.00
100 kg	156367	3 lb	\$339.00
150 kg	157809	3 lb	\$339.00

Metric threads available as an option



Interchangeable Products

RICE LAKE WEIGHING SYSTEMS
RLPWM15..... page 189

HBM®*
PW15..... page 265

*Color code is different

Specifications

Full Scale Output:
2.0 mV/V

Output Resistance:
351 (± 5.0) ohm

Input Resistance:
385 (± 10) ohm

Material/Finish:
Stainless steel

Temperature:
 Compensated range
 14°F to 104°F (-10°C to 40°C)
 Operating range
 0° F to 150° F (-18° C to 65° C)

Seal Type:
Environmentally sealed, IP66

Safe Overload:
150% full scale

Rated Excitation:
5- 10 VDC nominal (15 V maximum)

Combined Error:
0.02% full scale

Deflection at Capacity:
0.015 in

Insulation Resistance:
2,000 megohms

Cable Length:
10 ft

Cable Diameter:
0.200 in PVC Jacket

Platform Size:
16 in × 16 in

Cable Color Code:
 Green +Excitation
 Black -Excitation
 Red +Signal
 White -Signal
 Blue +Sense
 Brown -Sense

Warranty:
One-year limited warranty

Approvals:
 cFMus
 NTEP
 OIML (Available upon request)

Aluminum, Environmentally Sealed, NTEP Certified 1:5,000 Class III Single Cell, IP67

Interchangeable Products

- RICE LAKE WEIGHING SYSTEMS
RL1260 page 201
- RICE LAKE WEIGHING SYSTEMS
RLPWM16..... page 195
- VPG® TEDEA-HUNTLEIGH
1260S..... page 356

Specifications

- Full Scale Output:**
2.0 mV/V
- Output Resistance:**
350 (± 3) ohm
- Input Resistance:**
415 (± 15) ohm
- Material/Finish:**
Anodized aluminum
- Temperature:**
Compensated range
14°F to 104°F (-10°C to 40°C)
Operating range
0° F to 150° F (-18° C to 65° C)
- Seal Type:**
Environmentally sealed, IP67
- Safe Overload:**
150% of full scale at center loading point
- Rated Excitation:**
5- 10 VDC (15 V maximum)
- Combined Error:**
0.02% full scale
- Insulation Resistance:**
2,000 megohms
- Cable Length:**
10 ft
- Cable Diameter:**
0.220 in polyurethane jacket
- Cable Color Code:**
Green +Excitation
Black -Excitation
Red +Signal
White -Signal
Blue +Sense
Brown -Sense
- Max Platform Size:**
24 in × 24 in
- Warranty:**
One-year limited warranty
- Approvals:**
cFMus
NTEP
Ex (Available upon request)
OIML (Available upon request)

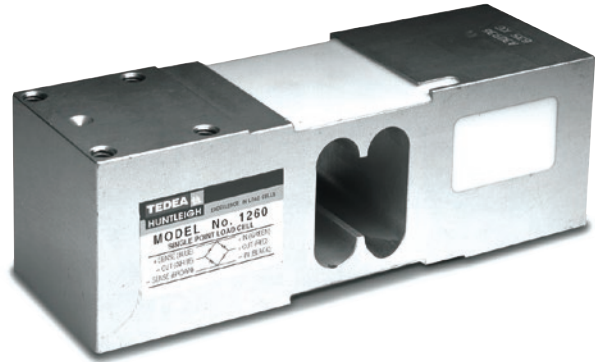
APPROVALS



Available upon request



Available upon request



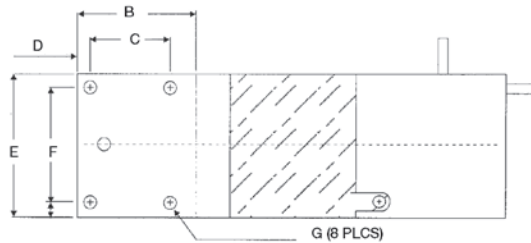
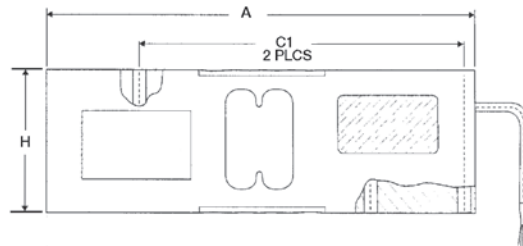
Dimensions

Picture is a representation of actual product

Rated Capacity	A	B	C	C1	D	E	F	G	H
kg/mm									
50-635	188.0	52.0	35.0	142.0	5.5	62.3	50.0	5/16-18 UNC	62.3

Order Information

Load Rating	Part #	Est. Weight	Price
50 kg	40769	5 lb	\$328.00
75 kg	40770	5 lb	\$328.00
100 kg	40771	5 lb	\$328.00
150 kg	159005	5 lb	\$328.00
200 kg	40772	5 lb	\$328.00
250 kg	40773	5 lb	\$328.00
300 kg	40774	5 lb	\$328.00
500 kg	40775	5 lb	\$328.00
635 kg	40776	5 lb	\$328.00



SINGLE POINT 1260S

Aluminum, Environmentally Sealed, NTEP Certified 1:10,000 Class III Single Cell, IP66



APPROVALS



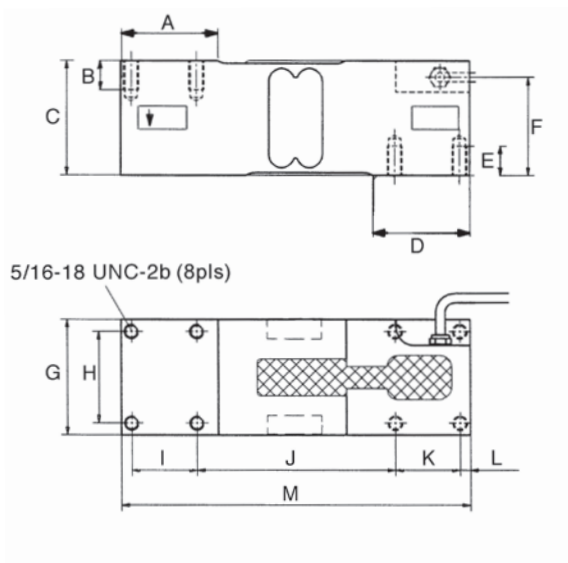
Dimensions

Picture is a representation of actual product

Rated Capacity	A	B	C	D	E	F	G	H	I	J	K	L	M
kg/mm													
75-635	52.0	16.0	62.3	52.0	16.0	52.3	63.0	50.0	35.0	107.0	35.0	5.5	188.0

Order Information

Load Rating	Part #	Est. Weight	Price
75 kg	76395	5 lb	\$344.00
100 kg	76396	5 lb	\$344.00
150 kg	76397	5 lb	\$344.00
200 kg	76398	5 lb	\$344.00
250 kg	76399	5 lb	\$344.00
300 kg	76400	5 lb	\$325.00
500 kg	76401	5 lb	\$344.00
635 kg	76402	5 lb	\$344.00



Interchangeable Products

RICE LAKE WEIGHING SYSTEMS	
RL1260	page 201
RICE LAKE WEIGHING SYSTEMS	
RL26018A	page 203
VPG® TEDEA-HUNTLEIGH	
1260	page 355

Specifications

Full Scale Output:

2.0 mV/V

Output Resistance:

350 (± 3) ohms

Input Resistance:

415 (± 15) ohms

Material/Finish:

Anodized aluminum

Temperature:

Compensated range

14°F to 104°F (-10°C to 40°C)

Operating range

0° F to 150° F (-18° C to 65° C)

Seal Type:

Environmentally sealed, IP66

Safe Overload:

150% of full scale at center loading point

Rated Excitation:

5- 10 VDC (15 V maximum)

Combined Error:

0.02% full scale

Insulation Resistance:

2,000 megohms

Cable Length:

10 ft

Cable Diameter:

0.220 in polyurethane jacket

Cable Color Code:

Green + Excitation

Black - Excitation

Red + Signal

White - Signal

Blue + Sense

Brown - Sense

Max Platform Size:

24 in × 24 in

Warranty:

One-year limited warranty

Approvals:

cFMus

NTEP

Interchangeable Products

TRANSCELL®
FAV.....-

Specifications

- Full Scale Output:**
2 mv/V
- Output Resistance:**
350 (± 3) ohm
- Input Resistance:**
415 (± 15) ohm
- Material/Finish:**
Anodized aluminum
- Temperature:**
Operating range:
0° F to 150° F (-18° C to 65° C)
- Seal Type:**
Environmentally sealed, IP66
- Safe Overload:**
150% of rated output
- Rated Excitation:**
10 VAC (15 V max)
- Combined Error:**
0.02% full scale
- Insulation Resistance:**
2,000 megohms
- Cable Length:**
5 ft
- Cable Diameter:**
0.200 in PVC jacket
- Cable Color Code:**
Green + Excitation
Black - Excitation
Red + Signal
White - Signal
- Max Platform Size:**
24 in × 24 in
- Warranty:**
One-year limited warranty
- Approvals:**
OIML
Ex (Available upon request)

APPROVALS



Available upon request



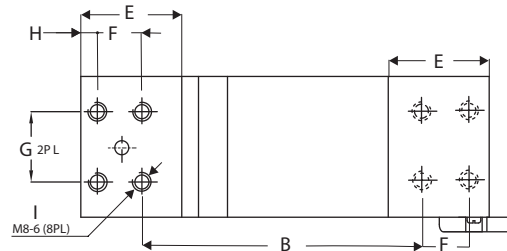
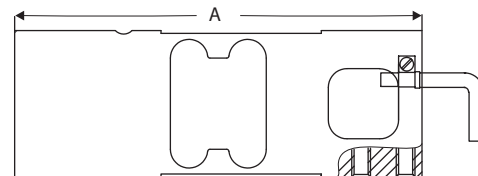
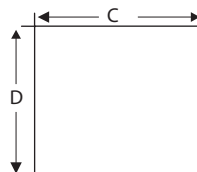
Dimensions

Picture is a representation of actual product

Rated Capacity	A	B	C	D	E	F	G	H	I
kg/mm									
50-635 kg	174.0	122.0	60.0	62.5	43.0	19.0	30.0	7.0	M8-6

Order Information

Load Rating	Part #	Est. Weight	Price
50 kg	157478	5 lb	\$290.00
100 kg	157479	5 lb	\$290.00
150 kg	157480	5 lb	\$290.00
200 kg	157481	5 lb	\$290.00
250 kg	157482	5 lb	\$290.00
300 kg	157483	5 lb	\$290.00
500 kg	157484	5 lb	\$290.00
635 kg	157485	5 lb	\$290.00





APPROVALS



Available upon request



Available upon request

Interchangeable Products

- RICE LAKE WEIGHING SYSTEMS
RL1250..... page 204
- RICE LAKE WEIGHING SYSTEMS
RL1218A..... page 205
- FLINTEC®
PCB*..... page 251
- TRANSCELL®
FAY..... —

**Stainless steel, hermetically sealed*

Specifications

- Full Scale Output:**
2.0 mV/V
- Bridge Resistance:**
350 ohm, nominal
- Material/Finish:**
Anodized aluminum
- Temperature:**
Compensated range
14°F to 104°F (-10°C to 40°C)
Operating range
0° F to 150° F (-18° C to 65° C)

- Seal Type:**
Environmentally sealed, IP67
- Safe Overload:**
150% of full scale at center loading point
- Rated Excitation:**
5-10 VDC (15 V maximum)

- Combined Error:**
0.02% full scale
- Insulation Resistance:**
2,000 megohms
- Deflection at Capacity:**
0.015 in

- Cable Length:**
10 ft
25 ft

- Cable Diameter:**
0.200 in PVC jacket

- Cable Color Code:**
Green +Excitation
Black -Excitation
Red +Signal
White -Signal
Blue +Sense
Brown -Sense

- Max Platform size:**
50-500 kg= 800 mm × 800 mm
635-1,000 kg= 600 mm × 600 mm

- Warranty:**
One-year limited warranty

- Approvals:**
cFMus
NTEP
Ex (Available upon request)
OIML (Available upon request)

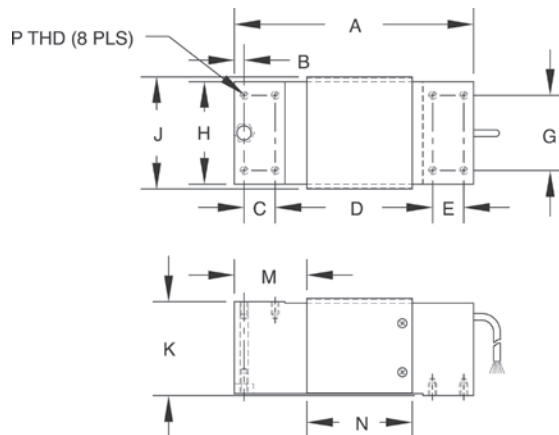
Dimensions

Picture is a representation of actual product

Rated Capacity	A	B	C	D	E	G	H	J	K	M	N	P
kg/mm												
50-1,000	191.0	11.0	25.0	125.0	25.0	60.0	75.0	82.0	75.0	57.5	85.0	5/16-18 UNC × 15 DP

Order Information

Load Rating	Part #	Est. Weight	Price
NTEP Certified, 10 ft Cable			
50 kg	17478	6 lb	\$365.00
75 kg	17469	6 lb	\$365.00
100 kg	33711	6 lb	\$365.00
150 kg	33712	6 lb	\$365.00
200 kg	33713	6 lb	\$365.00
250 kg	33714	6 lb	\$365.00
300 kg	33715	6 lb	\$365.00
500 kg	33716	6 lb	\$365.00
635 kg	33717	6 lb	\$365.00
1,000 kg	17480	6 lb	\$365.00
Non-NTEP Certified, 25 ft Cable			
50 kg	40944	6 lb	\$365.00
75 kg	40945	6 lb	\$365.00
100 kg	40946	6 lb	\$365.00
150 kg	32342	6 lb	\$365.00
200 kg	32341	6 lb	\$365.00
250 kg	40947	6 lb	\$365.00
300 kg	32340	6 lb	\$365.00



Aluminum, Environmentally Sealed, NTEP Certified 1:3,000, Class III Single Cell, IP66

Specifications

- Full Scale Output:**
2.0 mV/V
- Output Resistance:**
350 (± 3) ohm
- Input Resistance:**
415 (± 15) ohm
- Material/Finish:**
Aluminum alloy
- Temperature:**
Compensated range
14°F to 104°F (-10°C to 40°C)
Operating range
0° F to 150° F (-18° C to 65° C)
- Seal Type:**
Environmentally sealed, IP66
- Safe Overload:**
150% full scale
- Rated Excitation:**
5-10 VDC (15 V maximum)
- Combined Error:**
0.02% full scale
- Insulation Resistance:**
2,000 megohms
- Deflection at Capacity:**
0.015 in
- Max. Platform Size:**
4 ft × 4 ft
- Cable Length:**
5 m
- Cable Diameter:**
0.220 in polyurethane jacket
- Cable Color Code:**
Green +Excitation
Black -Excitation
Red +Signal
White -Signal
Blue +Sense
Brown -Sense
- Warranty:**
One-year limited warranty
- Approvals:**
cFMus
NTEP
Ex (Available upon request)
OIML (Available upon request)

APPROVALS



Available upon request



Available upon request



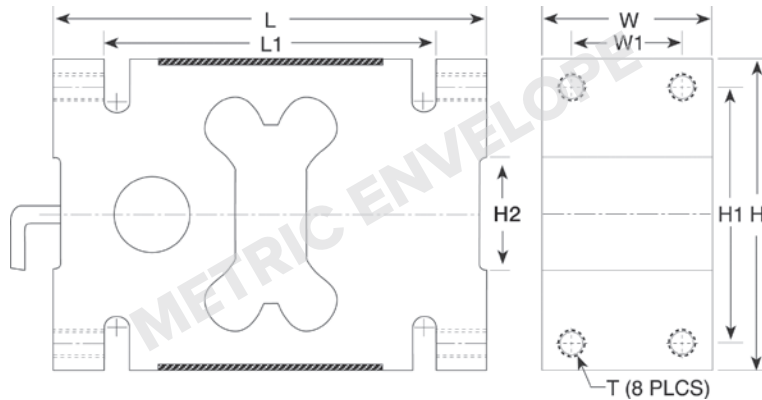
Dimensions

Picture is a representation of actual product

Rated Capacity	H	H1	H2	L	L1	T	W	W1
kg/mm								
1,000-2,000	126.0	95.0	45.0	176.0	135.0	M16 × 2-6H	76.0	46.0

Order Information

Load Rating	Part #	Est. Weight	Price
1,000 kg	29908	9 lb	\$556.00
1,500 kg	29909	9 lb	\$556.00
2,000 kg	29910	9 lb	\$556.00



SINGLE POINT

1510

Stainless Steel, Welded Seal, NTEP Certified 1:5,000, OIML C3, IP68

VPG TEDEA-HUNTLEIGH



APPROVALS



Specifications

- Full Scale Output:**
2.0 mV/V
- Output Resistance:**
350 (± 3) ohm
- Input Resistance:**
380 (± 10) ohm
- Material/Finish:**
Stainless steel
- Temperature:**
Compensated range
14°F to 104°F (-10°C to 40°C)
Operating range
0° F to 150° F (-18° C to 65° C)

- Seal Type:**
Welded-seal, IP68
- Safe Overload:**
150% at center loading point, full scale

- Rated Excitation:**
5-10 VDC (15 V maximum)

- Combined Error:**
0.020% full scale

- Insulation Resistance:**
2,000 megohms

- Cable Length:**
10 ft
- Cable Diameter:**
0.220 in polyurethane jacket

- Cable Color Code:**
Green +Excitation
Black -Excitation
Red +Signal
White -Signal
Blue +Sense
Brown -Sense

- Platform Size:**
23.62 in × 23.62 in

- Warranty:**
One-year limited warranty

- Approvals:**
cFMus
OIML
NTEP

Dimensions

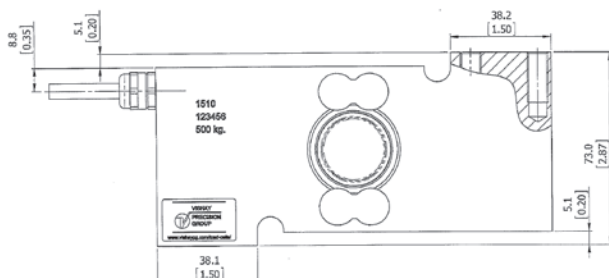
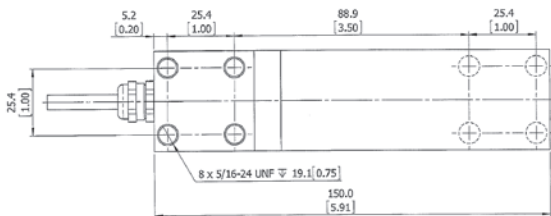
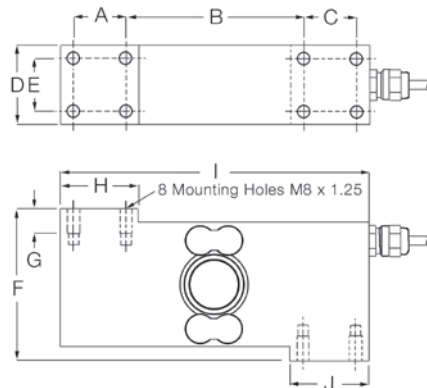
Picture is a representation of actual product

Rated Capacity	A	B	C	D	E	F	G	H	I	J
kg/mm										
100-500	25.4	86.3	25.4	38.1	25.4	72.8	11.9	38.1	149.9	38.1

Order Information

Load Rating	Part #	Est. Weight	Price
OIML			
100 kg	65851	6 lb	\$842.00
250 kg	65852	6 lb	\$842.00
500 kg	65853	6 lb	\$842.00
NTEP Certified			
500 kg*	167585	6 lb	\$842.00

*Used in Rice Lake monorail scale



Tedeia 1510 PN 167585 to be used with Rice Lake Monorail Scale

www.ricelake.com | Phone: 800-472-6703



360

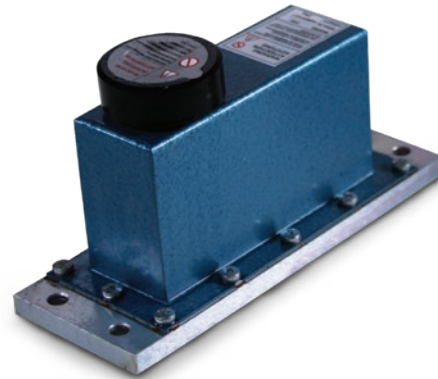
Fluid Damped Alloy Steel/Stainless, Environmentally Sealed, NTEP Certified 1:5,000 Class III Single Cell, IP66

Interchangeable Products

RICE LAKE WEIGHING SYSTEMS

RL260FD* page 202

*3000d NTEP, 16.4 ft Cable



APPROVALS



Available upon request

Specifications

Full Scale Output:
2.0 mV/V

Output Resistance:
350 (± 3) ohm

Input Resistance:
415 (± 15) ohm

Material/Finish:
Anodized aluminum in alloy steel or stainless steel

Temperature:
Compensated range
14°F to 104°F (-10°C to 40°C)
Operating range
0° F to 150° F (-18° C to 65° C)

Seal Type:
Environmentally sealed, IP66

Safe Overload:
150% at center loading point, full scale

Rated Excitation:
5-10 VDC (15 V maximum)

Combined Error:
0.025% full scale

Insulation Resistance:
2,000 megohms

Cable Length:
10 ft

Cable Diameter:
0.370 in PVC jacket

Cable Color Code:
Green +Excitation
Black -Excitation
Red +Signal
White -Signal
Blue +Sense
Brown -Sense

Warranty:
One-year limited warranty

Approvals:
NTEP
OIML (Available upon request)

Dimensions

Picture is a representation of actual product

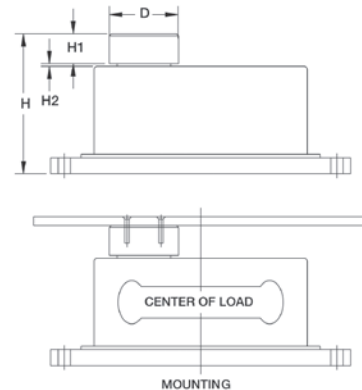
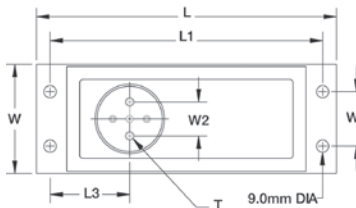
Rated Capacity	D	H	H1	H2	L	L1	L3	T	W	W1	W2
kg/mm											
2-50	50 dia	115.0	21.0	2.0	220.0	200.0	58.5	1/4-20 UNC × 10 DP	80.0	40.0	25.0

Order Information

Load Rating	Part #	Est. Weight	Price
Stainless Steel			
2 kg*	17567	8 lb	\$875.00
5 kg	17568	8 lb	\$875.00
7 kg	17569	8 lb	\$875.00
10 kg	17570	8 lb	\$875.00
15 kg	17571	8 lb	\$875.00
20 kg	17572	8 lb	\$875.00
30 kg	17573	8 lb	\$875.00
50 kg	17574	8 lb	\$875.00
Alloy Steel			
2 kg*	17559	8 lb	\$768.00
5 kg	17560	8 lb	\$768.00
7 kg	17561	8 lb	\$768.00
10 kg	17562	8 lb	\$768.00
15 kg	17563	8 lb	\$768.00
20 kg	17564	8 lb	\$768.00
30 kg	17565	8 lb	\$768.00
50 kg	17566	8 lb	\$768.00

*Non-NTEP Certified

Note: The special fluid damped operation is particularly well-suited for applications where quick weighment is required, e.g., checkweighers





APPROVALS



Specifications

- Full Scale Output:**
2.0 mV/V
- Output Resistance:**
350 (± 5) ohm
- Input Resistance:**
415 (± 15) ohm
- Material/Finish:**
Aluminum
- Temperature:**
Operating range
0° F to 150° F (-18° C to 65° C)
- Seal Type:**
Environmentally sealed, IP65

- Safe Overload:**
800% full scale downward
400% full scale upward

- Rated Excitation:**
15 VDC (15 V maximum)

- Combined Error:**
0.03% full scale

- Insulation Resistance:**
5,000 megohms

- Cable Length:**
3 ft

- Cable Diameter:**
0.370 in PVC jacket

- Cable Color Code:**
Green +Excitation
Black -Excitation
Red +Signal
White -Signal
Blue +Sense
Brown -Sense

- Warranty:**
One-year limited warranty

- Approvals:**
cFMus

Dimensions

Picture is a representation of actual product

Rated Capacity	D	H	H1	H3	L	L1	L2	L3	T	W	W2
kg/mm											
3-50	19.1	115.2	97.3	10.0	199.5	46.0	71.5	119.8	1/4-20 UNC x 20 DP	92.0	82.0

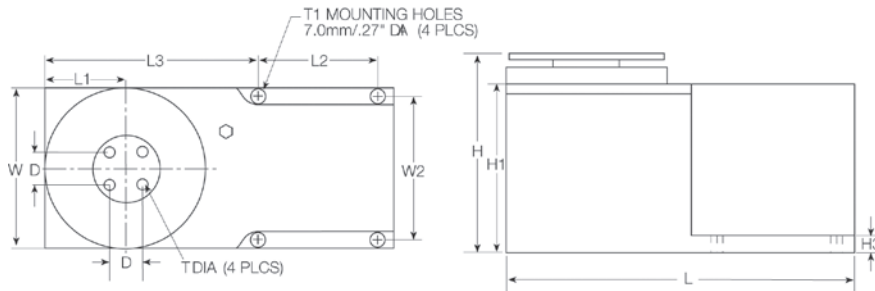
Order Information

Load Rating	Part #	Est. Weight	Price
3 kg	Consult	7 lb	\$950.00
5 kg	Consult	7 lb	\$950.00
7 kg	Consult	7 lb	\$950.00
10 kg	Consult	7 lb	\$950.00
15 kg	Consult	7 lb	\$950.00
20 kg	Consult	7 lb	\$950.00
30 kg	Consult	7 lb	\$950.00
50 kg	Consult	7 lb	\$950.00

Note: The special fluid damped operation is particularly well-suited for applications where quick weighment is required, e.g., checkweighers

9010 load cells are custom-manufactured per specific application requirements; use the Application Definition Form on the last page of this section as well as online at www.ricelake.com/questionnaires to define your applications

Available in stainless steel with breather vent option for washdown applications



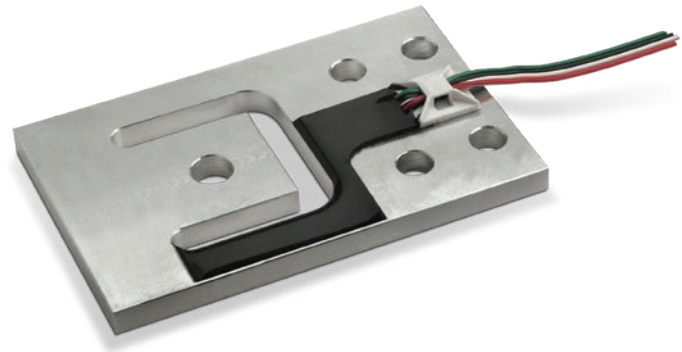
Specifications

- Full Scale Output:**
1.0 mV/V
- Output Resistance:**
1,000 (±10) ohm
- Input Resistance:**
1,160 (± 15) ohm
- Material/Finish:**
Aluminum
- Temperature:**
Compensated range
14°F to 104°F (-10°C to 40°C)
Operating range
0° F to 150° F (-18° C to 65° C)
- Seal Type:**
Environmentally sealed, IP65
- Safe Overload:**
150% full scale
- Rated Excitation:**
5-10 VDC
- Insulation Resistance:**
5,000 megohms
- Cable Length:**
1.5 m flat ribbon type, PVC
- Cable Color Code:**
Green +Excitation
Black -Excitation
Red +Signal
White -Signal
- Warranty:**
One-year limited warranty
- Approvals:**
NTEP
OIML (available upon request)

APPROVALS



Available upon request



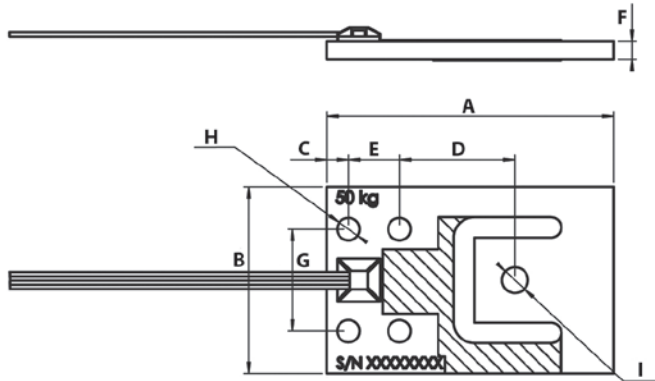
Picture is a representation of actual product

Dimensions

Rated Capacity	A	B	C	D	E	F	G	H	I
kg/mm									
7.5	70.0	39.0	4.9	28.0	14.0	2.5	27.8	5.1	5.1
15.0	70.0	39.0	4.9	28.0	14.0	4.1	27.8	5.1	5.1
37.5	76.2	44.5	6.0	29.3	15.0	4.8	30.0	6.6	6.2
50.0	84.5	55.0	6.4	34.0	15.0	5.3	30.0	6.6	7.6
75.0	84.5	55.0	6.4	34.0	15.0	6.4	30.0	6.6	7.6
150.0	107.5	70.0	7.8	45.9	22.8	8.0	44.5	8.1	8.2

Order Information

Load Rating	Part #	Est. Weight	Price
7.5 kg	112921	1lb	\$80.00
15 kg	186687	1lb	\$85.00
37.5 kg	112922	1lb	\$85.00
50 kg	112923	1lb	\$90.00
75 kg	112924	1lb	\$90.00
150 kg	112925	1lb	\$106.00





APPROVALS



Interchangeable Products

AVERY WEIGH-TRONIX®
220..... —

Weigh Module Available

RICE LAKE WEIGHING SYSTEMS
220..... page 56

Specifications

Full Scale Output:
2.0 mV/V

Output Resistance:
1,025 (± 20) ohm

Input Resistance:
1,065 (± 60) ohm

Material/Finish:
Stainless steel

Temperature:
Compensated range
14° to 104°F (-10°C to 40°C)
Operating range
0° F to 150° F (-18° C to 65° C)

Seal Type:
Hermetically sealed, IP68

Safe Overload:
150% at center loading point, full scale

Rated Excitation:
5-10 VDC (15 V maximum)

Combined Error:
0.020% full scale

Insulation Resistance:
2,000 megohms

Deflection at Capacity:
< 0.5 mm at full scale

Cable Length:
5,000 kg=5 m
10,000-20,000 kg=10 m
30,000 kg=20 m

Cable Diameter:
0.220 in polyurethane jacket

Cable Color Code:
Blue +Excitation
Black -Excitation
White +Signal
Red -Signal
Green +Sense
Gray -Sense

Warranty:
One-year limited warranty

Approvals:
cFMus
OIML
NTEP

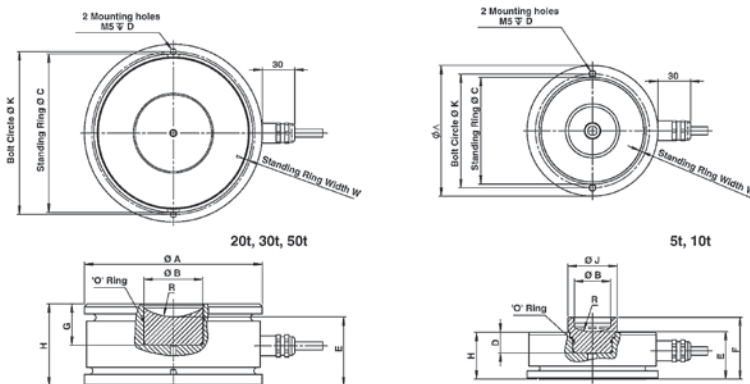
Dimensions

Picture is a representation of actual product

Rated Capacity	A	B	C	D	E	H
kg/mm						
5,000	80.0	19.0	70.0	20.0	33.4	30.0
10,000	92.0	28.0	80.0	14.6	33.4	33.0
20,000-30,000	110.0	29.0	101.5	26.3	39.0	50.0

Order Information

Load Rating	Part #	Est. Weight	Price
5,000 kg	65854	3 lb	\$1,266.00
10,000 kg	65855	5 lb	\$1,372.00
20,000 kg	65856	8 lb	\$1,372.00
30,000 kg	65857	8 lb	\$1,372.00



Specifications

- Full Scale Output:**
1.5 mV/V
- Output Resistance:**
605 (± 5) ohm
- Input Resistance:**
670 (± 15) ohm
- Material/Finish:**
Stainless steel
- Temperature:**
Operating range
-0° F to 150° F (-18° C to 65° C)
- Seal Type:**
Environmentally sealed, IP68
- Safe Overload:**
150% full scale
- Rated Excitation:**
5-10 VDC
- Combined Error:**
0.02% of applied load
- Insulation Resistance:**
2,000 megohms
- Cable Length:**
15 m
- Cable Color Code:**
Green +Excitation
Black -Excitation
Red +Signal
White -Signal
Blue +Sense
Brown -Sense
- Warranty:**
One-year limited warranty



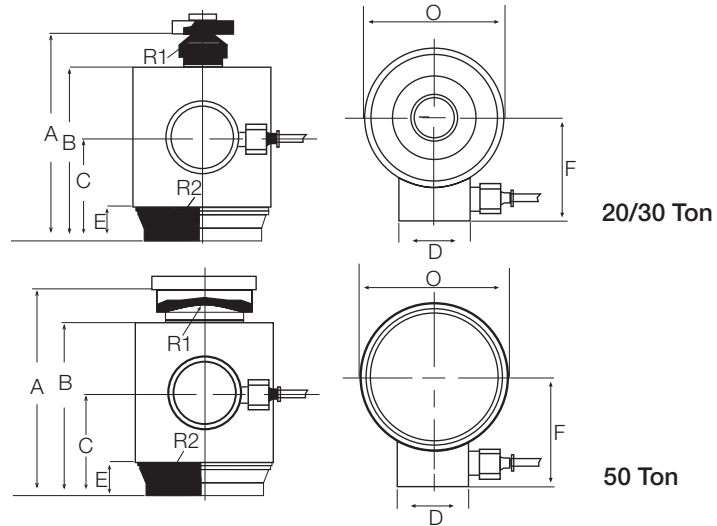
Dimensions

Picture is a representation of actual product

Rated Capacity	A	B	C	D	E	F	O	R1	R2
kg/mm									
20,000	138.3	112.3	72.3	50.0	32.3	69.0	88.0	15.0	150.0
30,000	138.3	112.3	72.3	50.0	32.3	69.0	88.0	15.0	150.0
50,000	155.5	115.8	74.0	50.0	32.3	69.0	88.0	35.0	300.0

Order Information

Load Rating	Part #	Est. Weight	Price
20,000 kg	169233	10 lb	\$662.00
30,000 kg	169234	10 lb	\$662.00
50,000 kg	169235	13 lb	\$662.00



Load cups not included

VPG Tedea-Huntleigh Model 9010 Application Definition Form

Customer's Name: _____ Number of Units: _____

Contact Person: _____ Date: _____

Application: _____

Tare Weight (Dead Load), kg: _____

Useful Weight (Live Load), kg: _____

If Checkweigher:

Size of conveyor platform (cm x cm): Length (movement direction) _____ Width _____

Size of weighed product in movement direction (cm): _____

Speed of belt (cm/sec): _____

Tare weight distribution: Conveyor (kg) _____

Motor (kg) _____

Position of motor (see sketch, cm): D _____ F _____

If not checkweigher (see sketch):

Estimated tare C.G. position (cm): D _____ F _____

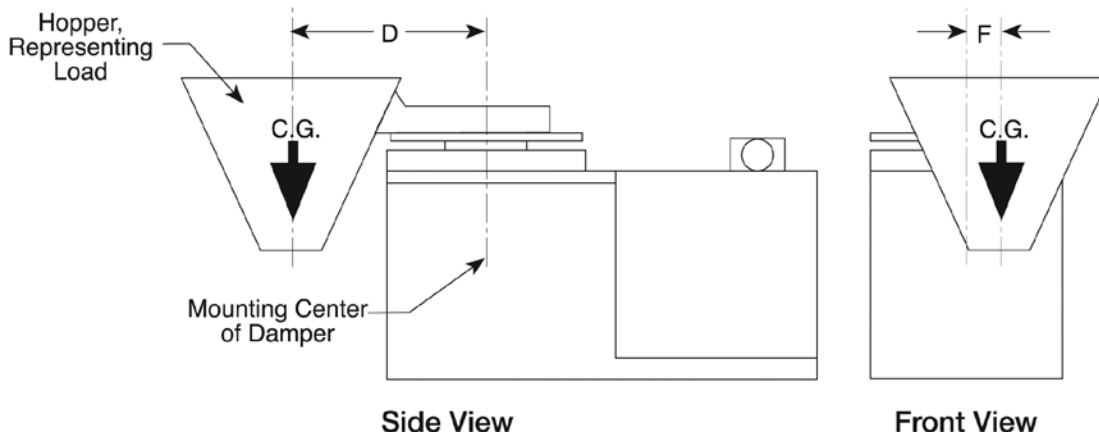
Loading position (cm): D _____ F _____ Drop height (cm) _____

If C.G. of load varies, max. distance between extreme position (cm): _____

Describe live load (powder, fruit, screws, etc.): _____

Settling time (milliseconds): _____

Accuracy required: _____ Operating temperature range (°C): _____



Return completed form to your Sales Representative.

For factory use; do not write in space below.

Serial Numbers: _____ Sales Order #: _____

Delivery Quoted: _____ Date: _____

Hardware and Accessories

TABLE OF CONTENTS		
HARDWARE AND ACCESSORIES	367	
LOAD CELL MOUNTING HARDWARE		
SAFETY GUIDELINES	368	
MOUNTING ASSEMBLY		
COMPONENT IDENTIFICATION	369	
JAM NUTS	369	
EYE NUTS	370	
CLEVIS MOUNT ASSEMBLIES	370	
COUPLING NUTS	370	
LOAD CELL EYE BOLTS	371	
ROD END BALL JOINTS	372	
CONNECTING LINKS	372	
LOAD CELL ISOLATORS	373	
THREADED ADAPTORS	373	
ITCM HARDWARE KITS	374	
GROUNDING STRAP	375	
BALL BEARINGS	375	
LOAD RECEIVER PLATE	375	
LOAD CUPS	375	
WIRE ROPE ASSEMBLIES	376	
CARDINAL® WIRE ROPE ASSEMBLIES	376	
CUSTOM WIRE ROPES	376	
CUSTOM WIRE ROPE DEFINITION FORM	377	
SPHERICAL WASHER SETS	378	
LOAD CELL SPACERS	378	
LOAD BUTTON	378	
WELDLESS END LINKS	378	
LOAD BUTTON INSERT KIT	379	
FLINTEC™ ADJUSTABLE RUBBER FOOT	379	
SUREFOOT™	379	
BENCH SCALE FEET	379	
POLYURETHANE RUBBER LEVELING FEET	380	
CAPTURED BALL FLOOR SCALE LEVELING FEET	380	
LEVELING MOUNT	381	
LEVELING PADS	381	
LEVELING PAD STEMS	381	
ROUGHDECK® SCALE BASE	382	
SUMMIT® 3000 SCALE BASE	382	
FLOOR SCALE BASE	382	
COMPLETE CUSTOM CABLE SERVICES	383	
EL147, 6 WIRE	384	<i>Standard Load Cell Cable</i>
EL147RP PLUS, 6 WIRE	384	<i>Rodent Protection Load Cell Cable</i>
EL147HE, 6 WIRE	385	<i>Hostile Environment Load Cell Cable</i>
EL147IS, 6 WIRE	385	<i>Hazardous Environment Blue Jacket Load Cell Cable</i>
EL146, 4 WIRE	386	<i>Standard Load Cell Cable</i>
EL146HE, 4 WIRE	386	<i>Hostile Environment Load Cell Cable</i>
EL144 COMMUNICATIONS CABLE	387	
BCD CABLE	387	
FIBER-OPTIC CABLE	388	
SURVIVOR® EL620HE	388	<i>High Temperature Cable</i>
SURVIVOR® CABLE ARMOR	388	
METTLER TOLEDO® POWER CELL®	389	<i>Homerun Cable</i>
EL148HE METTLER TOLEDO®	389	<i>Replacement Power Cell Cable</i>
LOAD CELL CONDUIT ADAPTORS	389	
CORD GRIP ASSEMBLIES	390	
EL214 CABLE SPLICING KIT	390	
EL214T CABLE SPLICING KIT	390	
FLINTEC™ LOAD CELL CABLE	391	<i>Replacement Kits</i>
EL215 CABLE SPLICING KIT	391	
FIVE-POSITION CONNECTORS, SHELL PLUGS, RECEPTACLES	392	
SEVEN-POSITION CONNECTORS, SHELL PLUGS, RECEPTACLES	392	
SIX-POSITION CONNECTORS, SHELL PLUGS, RECEPTACLES	392	
T-STRIP MOLDING	393	
T-GRIP MOLDING	393	
ELECTRONIC SCALE TICKETS	394	<i>Create Your Own Custom Ticket</i>
MECHANICAL SCALE TICKETS	395	
PRINTER DUST COVERS	396	
PRINTER CABLES	397	
STATIC BRUSHES	398	
IONIZING STRIPS	398	
IONIZING STRIP ACCESSORIES	398	
CRIMPER AND LEAD SEALS	399	
DESICCANTS	399	
INDUSTRIAL CORROSION INHIBITOR	399	
STATIC CONTROL TABEL MAT AND FLOOR MAT	400	
STATIC CONTROL WRIST STRAP	400	
STATIC SHIELDING BAGS	401	
STATIC-SAFE SERVICE KIT	401	
RICE LAKE'S SCALE TECHNICIAN KITS	402	

The following product names, logos, brands, and other trademarks featured or referred to within this publication are the property of their respective trademark holders.

Load Cell Mounting Hardware Safety Guidelines

Install only load cell mounting hardware and assemblies that have been specifically designed for use in tank, hopper or hanging scale applications. Often, the use of an inferior-grade product results in component failure which risks equipment damage and personal injury. These simple suggestions are provided to help minimize your exposure to vessel scale installation hazards.

1. Estimating Gross Load

To select the correct load cell or load cell hardware for a given application, it is necessary to know the total weight on the scale—including the net weight of product, the tare weight of the vessel and the weight of the platform, tank or hopper, as appropriate.

2. Safe Load

Do not exceed the safe load figures listed in Rice Lake Weighing Systems' catalog for any load cell hardware. Where shock loads are present, it may be necessary to derate these safe load figures depending on the severity of the shock load.

3. Load Distribution

In multiple-load-cell applications, the weight must be evenly distributed between all cells.

4. Threaded Connections

Check that all threads of a threaded connection are in engagement. For example, an eye bolt screwed into an s-type load cell should protrude slightly on the opposite side.

5. Jam Nuts

All threaded connections must be locked with jam nuts against inadvertent disassembly. If a load is suspended from a single load cell, it is critical that the load cannot rotate as this may loosen the jam nut.

6. Wire Rope Assemblies

With wire rope assemblies, do not twist the rope during assembly or disassembly. For example, do not remove a frozen nut from one end of a rope assembly by holding the opposite end.

7. Attachment Points of a Load Cell Hardware Assembly

The attachment points of a load cell hardware assembly must be aligned properly and the assembly should be essentially vertical.

8. Swaying in a Suspended Vessel Scale

If there is excessive swaying in a suspended vessel scale, apply

horizontal checking to reduce the amplitude.

9. Safety Backup

If failure of one or more load cell hardware assemblies could cause injury or damage, a safety backup (safety chains, safety rods, etc.) must be used. The assemblies should be inspected routinely for damage, excessive wear or corrosion and replaced if necessary.

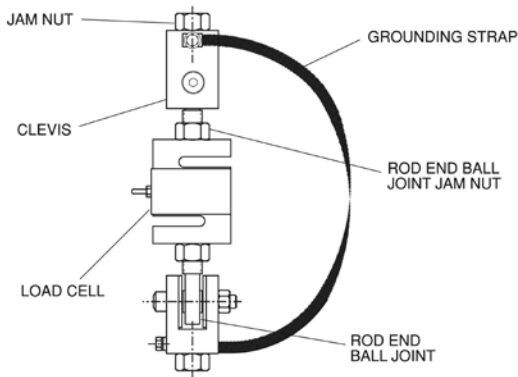
10. Hopper Scales: Guarding Against Contamination

With hopper scales, guard against contamination of the product being weighed in case of failure of the load cell or hardware assembly. For example, do not locate a wire rope assembly over a hopper scale where broken strands of wire could fall into the weighing vessel, contaminating the product being weighed.

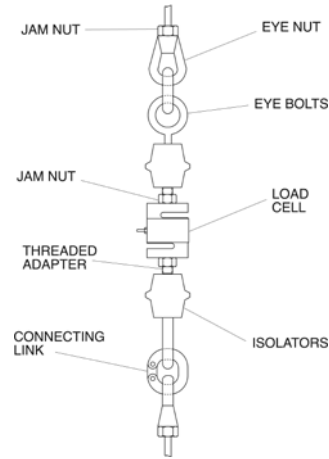
11. Selecting Steel Rod or Any Other Weight-Bearing Components

Select steel rod or any other weight-bearing components so the minimum tensile strength is at least four times the total weight carried by that component. Note that threaded rod is generally made from a low tensile-strength mild steel which should be checked for tensile strength before use in any suspended vessel scale.

Mounting Assembly Component Identification



ITCM Isolated Tension Cell Mounting Assembly



Conventional Tension Mounting Assembly

Our popular Isolated Tension Cell Mounting (ITCM) assembly and other conventional suspended weighing system assemblies employ a variety of serviceable hardware components. Rice Lake Weighing Systems offers a comprehensive selection of these items for all of your suspended vessel service needs. These drawings are designed to enable you to quickly identify and differentiate components from both of these common designs. All corresponding replacement hardware is located on the following pages.

Jam Nuts



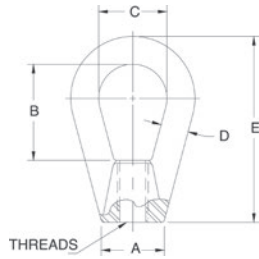
Standard Features

- Mild steel/stainless steel
- Coarse or fine thread
- Zinc-plated mild steel or stainless steel

Thread Size	Part #	Price
Mild Steel, Fine Thread		
1/4-28 UNF	14639	\$1.00
3/8-24 UNF	14651	\$1.00
1/2-20 UNF	14664	\$1.60
3/4-16 UNF	14687	\$1.60
1-12 UNF	14702	\$5.99
1-14 UNF	14703	\$4.90
1 1/4-12 UNF	14708	\$3.60
1 1/2-12 UNF	14711	\$4.90
Mild Steel, Coarse Thread		
1/4-20 UNC	14636	\$1.00
3/8-16 UNC	14649	\$2.25
1/2-13 UNC	14661	\$1.00
5/8-11 UNC	14676	\$2.25
3/4-10 UNC	14686	\$1.06
1-8 UNC	14701	\$1.20
1-1/4-7 UNC	14707	\$3.30

Thread Size	Part #	Price
Stainless Steel, Fine Thread		
1/4-28 UNF	14640	\$1.30
1/2-20 UNF	14665	\$1.80
3/4-16 UNF	14688	\$2.30
Stainless Steel, Coarse Thread		
3/8-16 UNC	14653	\$2.10
1/2-13 UNC	14662	\$1.85
5/8-11 UNC	14680	\$2.10
3/4-10 UNC	14690	\$2.25

Eye Nuts



Standard Features

- Drop-forged steel, tapped NC right-hand threads

Part Number/Price

Part #	A	B	C	D	E	Thread Size	Safe Load*	Price
17772	0.50 in	1.06 in	0.75 in	0.25 in	1.68 in	1/4-20 UNC	500 lb	\$48.00
17773	0.75 in	1.18 in	0.87 in	0.31 in	2.25 in	3/8-16 UNC	1,800 lb	\$32.00
17774	1.00 in	1.56 in	1.12 in	0.43 in	3.00 in	1/2-13 UNC	3,600 lb	\$48.00
17775	1.25 in	1.93 in	1.37 in	0.56 in	3.75 in	5/8-11 UNC	5,800 lb	\$53.00

*Do not exceed the safe load

Coupling Nuts



Standard Features

- Heavy hex

Part Number/Price

Part #	Thread Size	Length	Flat	Safe Load*	Price
14638	1/4-20 UNC	1.75 in	0.44 in	500 lb	\$7.50
14650	3/8-16 UNC	1.75 in	0.62 in	1,500 lb	\$7.40
14663	1/2-13 UNC	1.75 in	0.87 in	3,000 lb	\$7.40
14681	5/8-11 UNC	2.12 in	1.06 in	7,500 lb	\$10.50
14691	3/4-10 UNC	2.25 in	1.25 in	10,000 lb	\$11.50

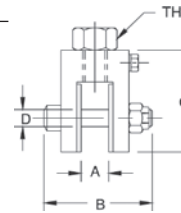
*Do not exceed the safe load

Clevis Mount Assemblies

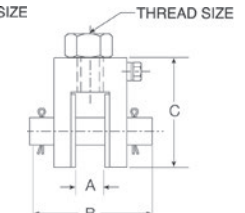


Standard Features

- Mild steel
- Assembly used in the ITCM
- Adapts rod to rod-end ball joint
- Provides electrical isolation for load cell protection
- Elimination of unwanted side loads
- Optional stainless steel provides enhanced corrosion resistance



Clevis Mount with bolt



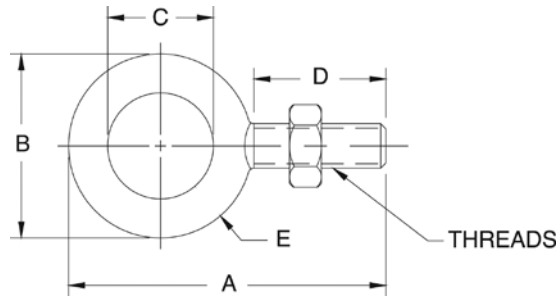
Clevis Mount with pin

Part Number/Price

Part #	A	B	C	D	Thread Size	Safe Load*	Price
Mild Steel with Bolt							
17792	0.52 in	2.38 in	1.94 in	0.38 in	3/8-16 UNC	300 lb	\$83.00
17793	0.52 in	2.38 in	1.94 in	0.38 in	1/2-13 UNC	300 lb	\$83.00
17783	0.39 in	1.81 in	1.69 in	0.25 in	1/2-13 UNC	500 lb	\$94.00
17784	0.65 in	2.68 in	2.31 in	0.50 in	3/4-10 UNC	4,000 lb	\$94.00
17785	0.78 in	3.37 in	3.00 in	0.62 in	1-8 UNC	10,000 lb	\$94.00
17786	0.39 in	1.81 in	1.69 in	0.25 in	3/8-16 UNC	500 lb	\$94.00
17787	0.65 in	2.68 in	2.31 in	0.50 in	1/2-13 UNC	2,000 lb	\$94.00
17788	0.65 in	2.68 in	2.31 in	0.50 in	5/8-11 UNC	2,500 lb	\$94.00
17789	0.78 in	3.37 in	3.00 in	0.62 in	3/4-10 UNC	5,000 lb	\$94.00
Mild Steel with Pin							
17790	1.39 in	4.12 in	4.50 in	1.00 in	1 1/4-7 UNC	15,000 lb	\$350.00
17791	1.22 in	4.12 in	5.00 in	1.25 in	1 1/2-6 UNC	20,000 lb	\$350.00
Stainless Steel with Pin							
33644	0.52 in	2.38 in	1.94 in	0.38 in	1/2-13 UNC	300 lb	\$183.00
33643	0.39 in	1.81 in	1.69 in	0.25 in	1/2-13 UNC	500 lb	\$183.00
33641	0.39 in	1.81 in	1.69 in	0.25 in	3/8-16 UNC	500 lb	\$183.00
33658	0.52 in	2.38 in	1.94 in	0.38 in	3/8-16 UNC	500 lb	\$183.00
33642	0.65 in	2.68 in	2.31 in	0.50 in	3/4-10 UNC	4,000 lb	\$238.00
33640	0.65 in	2.68 in	2.31 in	0.50 in	1/2-13 UNC	2,000 lb	\$238.00
33639	0.65 in	2.68 in	2.31 in	0.50 in	5/8-11 UNC	2,500 lb	\$238.00
33638	0.78 in	3.37 in	3.00 in	0.62 in	3/4-10 UNC	5,000 lb	\$238.00

*Do not exceed the safe load

Load Cell Eye Bolts



Standard Features

- Mild steel
- One jam nut included with each eye bolt

Part Number/Price

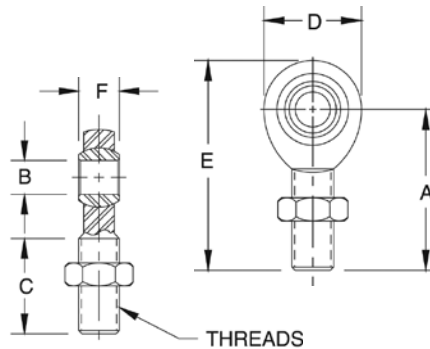
Part #	A	B	C	D	E	Thread Size	Safe Load*	Price
Mild Steel								
17705	2.25 in	1.25 in	0.75 in	1.00 in	0.25 in	1/4-28 UNF	500 lb	\$26.50
17707	2.91 in	1.66 in	1.00 in	1.25 in	0.33 in	3/8-24 UNF	1,300 lb	\$26.50
17709	3.56 in	2.06 in	1.19 in	1.50 in	0.44 in	1/2-20 UNF	2,400 lb	\$28.50
17711	4.25 in	2.50 in	1.37 in	1.75 in	0.56 in	5/8-18 UNF	4,000 lb	\$34.00
17713	4.81 in	2.81 in	1.50 in	2.00 in	0.66 in	3/4-16 UNF	5,000 lb	\$74.00
17715	6.06 in	3.56 in	1.81 in	2.50 in	0.87 in	1-12 UNF	9,000 lb	\$117.00
17716	6.06 in	3.56 in	1.81 in	2.50 in	0.87 in	1-14 UNS	9,000 lb	\$117.00
17704	2.25 in	1.25 in	0.75 in	1.00 in	0.25 in	1/4-20 UNC	500 lb	\$25.00
17706	2.91 in	1.66 in	1.00 in	1.25 in	0.33 in	3/8-16 UNC	1,300 lb	\$25.00
17708	3.56 in	2.06 in	1.19 in	1.50 in	0.44 in	1/2-13 UNC	2,400 lb	\$38.00
17710	4.25 in	2.50 in	1.37 in	1.75 in	0.56 in	5/8-11 UNC	4,000 lb	\$58.00
17712	4.81 in	2.81 in	1.50 in	2.00 in	0.66 in	3/4-10 UNC	5,000 lb	\$58.00
17714	6.06 in	3.56 in	1.81 in	2.50 in	0.87 in	1-8 UNC	9,000 lb	\$59.00
17717	7.44 in	4.44 in	2.19 in	3.00 in	1.12 in	1 1/4-7 UNC	15,000 lb	\$169.00

*Do not exceed the safe load

Rod End Ball Joints



PTFE Lined Standard



Standard Features

- Used in the ITCM assembly
- One jam nut included with each rod end ball joint
- Standard or PTFE-lined
- Optional stainless steel provides enhanced corrosion resistance for hostile environments

Part Number/Price

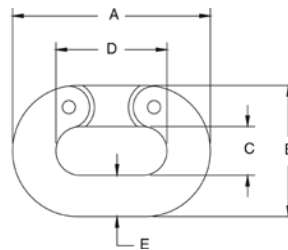
Part #	Safe Load*	Breaking Strength	PTFE Lined	Price
Mild Steel				
17746	975 lb	3,915 lb	YES	\$34.00
17734	1,200 lb	4,916 lb	NO	\$24.00
17736	4,000 lb	16,238 lb	NO	\$60.00
17738	7,000 lb	28,081 lb	NO	\$103.00
17735	2,000 lb	8,075 lb	NO	\$29.00
17737	3,250 lb	13,831 lb	NO	\$42.00
17739	500 lb	2,158 lb	YES	\$34.00
17740	4,000 lb	16,238 lb	YES	\$55.00
17741	10,000 lb	40,572 lb	YES	\$82.00
17742	10,500 lb	43,541 lb	NO	\$154.00
26007	15,000 lb	76,200 lb	YES	\$318.00
17747	19,000 lb	76,200 lb	YES	\$366.00
17743	20,000 lb	79,728 lb	NO	\$276.00
17744	24,000 lb	96,510 lb	NO	\$382.00
Stainless Steel				
33505	500 lb	2,158 lb	YES	\$148.00
33506	1,500 lb	7,362 lb	YES	\$148.00
33507	3,000 lb	16,238 lb	YES	\$159.00
33508	7,000 lb	40,572 lb	YES	\$366.00

*Do not exceed the safe load

Dimensions

Part #	A	B	C	D	E	F	Thread Size
Mild Steel							
17746	1.94 in	0.37 in	1.25 in	1.00 in	2.43 in	0.50 in	3/8-24 UNF
17734	1.94 in	0.37 in	1.25 in	1.00 in	2.43 in	0.50 in	3/8-24 UNF
17736	2.44 in	0.50 in	1.50 in	1.31 in	3.09 in	0.62 in	1/2-20 UNF
17738	2.87 in	0.75 in	1.75 in	1.75 in	3.75 in	0.87 in	3/4-16 UNF
17735	2.44 in	0.50 in	1.50 in	1.31 in	3.09 in	0.62 in	1/2-20 UNF
17737	2.87 in	0.75 in	1.75 in	1.75 in	3.75 in	0.87 in	3/4-16 UNF
17739	1.56 in	0.25 in	1.00 in	0.75 in	1.93 in	0.37 in	1/4-28 UNF
17740	2.44 in	0.50 in	1.50 in	1.31 in	3.09 in	0.62 in	1/2-20 UNF
17741	2.87 in	0.62 in	1.75 in	1.75 in	3.75 in	0.75 in	3/4-16 UNF
17742	4.12 in	1.00 in	2.12 in	2.75 in	5.50 in	1.37 in	1-12 UNF
26007	4.12 in	1.00 in	2.12 in	2.75 in	5.50 in	1.37 in	1-14 UNS
17747	4.12 in	1.00 in	2.12 in	2.75 in	5.50 in	1.37 in	1-12 UNF
17743	4.12 in	1.25 in	2.12 in	2.75 in	5.50 in	1.09 in	1 1/4-12 UNF
17744	5.37 in	1.50 in	3.00 in	3.50 in	7.12 in	1.31 in	1 1/2-12 UNF
Stainless Steel							
33506	1.94 in	0.37 in	1.25 in	1.00 in	2.43 in	0.50 in	3/8-24 UNF
33505	1.56 in	0.25 in	1.00 in	0.75 in	1.93 in	0.37 in	1/4-28 UNF
33507	2.44 in	0.50 in	1.50 in	1.31 in	3.09 in	0.62 in	1/2-20 UNF
33508	2.87 in	0.62 in	1.75 in	1.75 in	3.75 in	0.75 in	3/4-16 UNF

Connecting Links



Standard Features

- Drop-forged carbon steel, heat-treated, hot-dipped galvanized finish

Part Number/Price

Part #	A	B	C	D	E	Safe Load*	Price
17794	1.50 in	1.00 in	0.43 in	0.87 in	0.25 in	1,325 lb	\$42.00
17795	2.06 in	1.37 in	0.56 in	1.12 in	0.37 in	2,750 lb	\$45.00
17796	2.65 in	1.71 in	0.65 in	1.46 in	0.50 in	4,750 lb	\$45.00
17797	3.31 in	2.09 in	0.78 in	1.81 in	0.62 in	7,250 lb	\$55.00
17798	3.87 in	2.50 in	0.93 in	2.12 in	0.75 in	10,250 lb	\$74.00
17799	5.00 in	3.31 in	1.25 in	2.75 in	1.00 in	15,500 lb	\$127.00

*Do not exceed the safe load

Load Cell Isolators



Standard Features

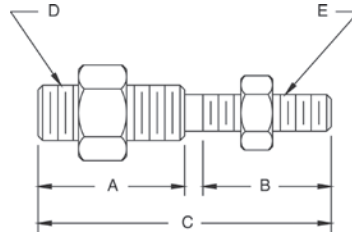
- Power surges such as those caused by welding or electrical shorts frequently damage load cells and indicators. To prevent such damage, these isolators electrically separate the mechanical assembly from its tension-type load cell.

Part Number/Price

Part #	Height Thread Size	Diameter	Safe Load*	Price
17722	3/8-16 UNC	2.50 in	600 lb	\$48.00
17724	1/2-13 UNC	2.50 in	600 lb	\$53.00
17726	1/2-20 UNF	2.50 in	600 lb	\$90.00
17725	1/2-13 UNC	2.00 in	3,000 lb	\$127.00
17723	3/8-24 UNF	2.50 in	600 lb	\$95.00
17728	1/2-13 UNC x 1/2-20 UNF	2.50 in	600 lb	\$69.00
17732	1/4-20 UNC	1.12 in	250 lb	\$53.00

*Do not exceed the safe load

Threaded Adaptors



Standard Features

- For coupling isolators with load cells and steel yard rods
- Supplied with jam nuts
- Now in stronger, more durable stainless steel

Part Number/Price

Part #	A	B	C	D	E	Safe Load*	Price
33561	—	—	2.00 in	1/4-28 UNF	1/4-28 UNF	300 lb	\$29.00
33562	0.94 in	0.94 in	2.00 in	1/4-28 UNF	1/4-20 UNC	300 lb	\$32.00
33563	0.92 in	1.02 in	2.06 in	1/4-28 UNF	3/8-24 UNF	300 lb	\$37.00
33564	0.94 in	0.94 in	2.00 in	1/4-28 UNF	3/8-16 UNC	300 lb	\$29.00
33565	1.06 in	1.06 in	2.25 in	1/4-20 UNC	3/8-16 UNC	300 lb	\$32.00
33567	1.06 in	1.06 in	2.25 in	1/4-28 UNF	1/2-13 UNC	300 lb	\$32.00
33568	—	—	2.00 in	3/8-24 UNF	3/8-24 UNF	500 lb	\$42.00
33569	0.91 in	0.91 in	2.00 in	3/8-16 UNC	3/8-24 UNF	500 lb	\$36.00
33570	1.06 in	1.06 in	2.25 in	3/8-24 UNF	1/2-13 UNC	500 lb	\$32.00
33571	1.31 in	1.31 in	2.75 in	1/2-13 UNC	5/8-11 UNC	3,000 lb	\$32.00
33572	0.87 in	0.87 in	2.00 in	1/2-13 UNC	1/2-20 UNF	3,000 lb	\$36.00
33573	—	—	2.06 in	1/2-20 UNF	1/2-20 UNF	3,000 lb	\$36.00
33574	1.31 in	1.31 in	2.75 in	1/2-20 UNF	5/8-11 UNC	3,000 lb	\$38.00
33575	1.31 in	1.31 in	3.00 in	3/4-16 UNF	3/4-10 UNC	7,000 lb	\$40.00

*Do not exceed the safe load

ITCM Hardware Kits



The Isolated Tension Cell Mount (ITCM) is a mounting assembly designed for tension mounting s-beam load cells in suspended hopper assemblies and mechanical scale conversions. The ITCM incorporates clevis and unique rod end ball joint assemblies, reducing the overall length to less than half of traditional tension cell mounts, while providing correct load alignment. In addition, the load cell is completely electrically isolated from stray currents, a major cause of load cell failure. To complete the design, a grounding strap connects the two clevis assemblies to further ensure load cell safety.

Standard Features

- Provides greater safety than traditional/ suspension configurations
- Complete package for ease of installation
- Built-in electrical isolation without having to use isolators (not available on 20,000 lb version)
- Provides correct load cell loading even in difficult installations
- Dramatically reduces overall length
- Capacities from 100 lb to 20,000 lb
- Clevis mounts with nylon insulating washers
- PTFE-lined rod-end ball joints (not available on 20,000 lb version)
- Completely isolates load cell from stray currents
- Grounding strap for electrical continuity
- Zinc plated clevis
- Mount only - does not include load cell

Applications:

- Suspended hoppers
- Mechanical scale conversions
- Replaces traditional eye bolt, isolator configurations

Mount only - does not include load cell

Part Number/Price

Part #	Load Rating	Clevis Thread	Rod End Thread	Safe Load*	Price
Mild Steel					
17968	300 lb	3/8-16	3/8-24	300 lb	\$220.00
17969	300 lb	1/2-13	3/8-24	300 lb	\$220.00
17894	500 lb	3/8-16	1/4-28	500 lb	\$220.00
17895	500 lb	1/2-13	1/4-28	500 lb	\$220.00
17896	2,000 lb	1/2-13	1/2-20	2,000 lb	\$275.00
17897	2,500 lb	5/8-11	1/2-20	2,500 lb	\$275.00
17898	4,000 lb	3/4-10	1/2-20	4,000 lb	\$275.00
17899	5,000 lb	3/4-10	3/4-16	5,000 lb	\$315.00
17900	10,000 lb	1-8	3/4-16	10,000 lb	\$315.00
17958	15,000 lb (RL20000I)	1 1/4-7	1-12	15,000 lb	\$1,250.00
63166	15,000 lb (RL20001)	1 1/4-7	1-14	15,000 lb	\$1,195.00
17959	20,000 lb**	1 1/2-6	1 1/4-12	20,000 lb	\$1,100.00
Stainless Steel					
33630	500 lb	3/8-16	3/8-24	500 lb	\$625.00
33631	300 lb	1/2-13	3/8-24	300 lb	\$625.00
33632	500 lb	3/8-16	1/4-28	500 lb	\$625.00
33633	500 lb	1/2-13	1/4-28	500 lb	\$625.00
33634	2,000 lb	1/2-13	1/2-20	2,000 lb	\$750.00
33635	2,500 lb	5/8-11	1/2-20	2,500 lb	\$750.00
33636	3,000 lb	3/4-10	1/2-20	3,000 lb	\$750.00
33637	5,000 lb	3/4-10	3/4-16	5,000 lb	\$1,100.00

* Not electrically isolated

**Do not exceed the safe load

Note: Replacement parts for mounts can be found in the Replacement Parts Catalog.

Grounding Strap



Standard Features

- Used in the ITCM assembly
- Tinned copper braid
- Crimped sleeve on ends with 0.25 in hole
- Available in 12 in, 14 in, 16 in, 24 in or 32 in lengths

Part Number/Price

Part #	Length	Price
17778	12 in	\$19.00
17779	14 in	\$19.00
17780	16 in	\$20.00
17781	24 in	\$21.00
17782	32 in	\$30.00

Ball Bearings



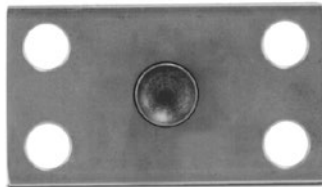
Standard Features

- Ball bearings are used with load cup and load receivers to build custom scales
- Use with load cup and load receiver to build a custom scale
- 52100 chrome alloy steel

Part Number/Price

Part #	Drawing Dimensions	Price
18815	5/8 in diameter crush strength 32,000 lb	\$16.00
18816	7/8 in diameter crush strength 59,000 lb	\$18.00
65841	1.25 in diameter crush strength 100,000 lb	\$37.00

Load Receiver Plate

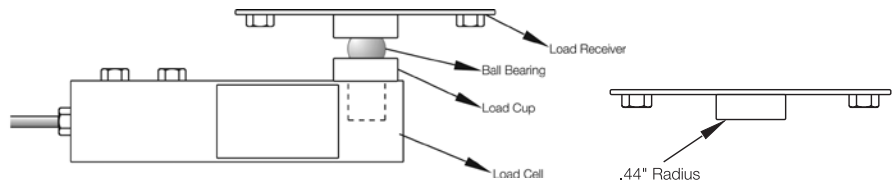
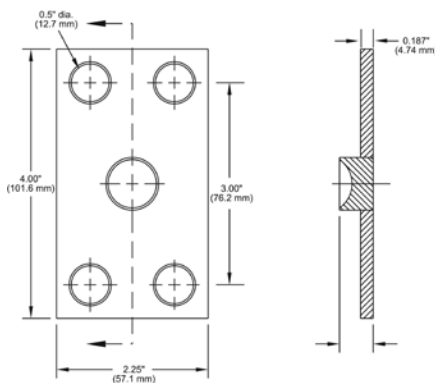


Standard Features

- Design offers accurate point loading
- Self-centering effect built in
- Ease of manufacture for custom applications
- Use with load cup and ball bearings to build a custom scale
- Ball and cup load introduction provides point loading for maximum accuracy
- Stainless steel construction

Part Number/Price

Part #	Description	Price
18832	Load receiver plate	\$58.00 each



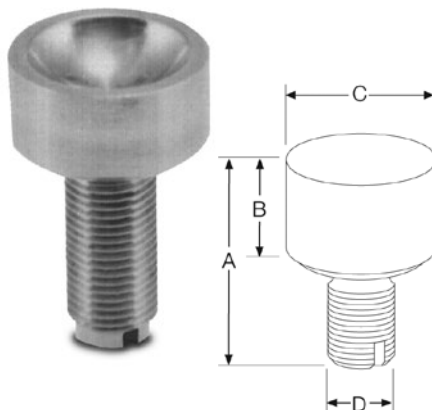
Load Cups

Standard Features

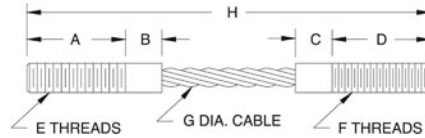
- Ball and cup load introduction provides point loading for maximum accuracy
- For use with most popular single-ended beam load cells
- Constructed of 440C

Part Number/Price

Part #	A	B	C	D	Price
31911	1.70 in	0.54 in	1.07 in	1/2-20 UNF	\$58.00
33654	1.12 in	0.54 in	0.78 in	1/2-20 UNF	\$47.00
33653	1.50 in	0.80 in	1.12 in	3/4-16 UNF	\$48.00
33652	2.00 in	0.85 in	1.75 in	1-12 UNF	\$114.00
33651	2.85 in	0.85 in	1.75 in	1-12 UNF	\$160.00
33650	2.85 in	0.85 in	1.75 in	1-14 UNF	\$160.00
33647	2.75 in	0.50 in	0.75 in	1/2-20 UNF	\$57.00
72364	1.78 in	0.53 in	0.78 in	1/2-20 UNF	\$69.00
69431	Replacement cup for Cardinal® SCA-50,000 load cell				\$143.00



Wire Rope Assemblies



Standard Features

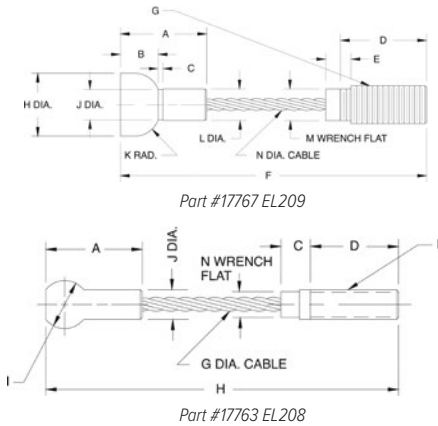
- Wire rope assemblies provide better alignment and greatly increase load cell repeatability. In addition, they act as natural vibration dampeners.

Part Number/Price

Part #	A	B & C	D	E	F	G	H	Safe Load*	Price
17760	0.87 in	0.50 in	0.87 in	1/4-20 UNC-2A	1/4-28 UNF-2A	0.12 in	4.00 in	400 lb	\$58.00
17762	1.25 in	0.50 in	1.25 in	3/8-16 UNC-2A	3/8-24 UNF-2A	0.18 in	5.00 in	850 lb	\$64.00
17766	1.62 in	0.50 in	1.62 in	1/2-13 UNC-2A	1/2-20 UNF-2A	0.25 in	6.50 in	1,400 lb	\$66.00
17765	1.62 in	0.50 in	1.62 in	1/2-13 UNC-2A	1/2-20 UNF-2A	0.25 in	5.50 in	1,400 lb	\$79.00
17764	1.00 in	-	1.37 in	1/2-20 UNF-2A	1/2-20 UNF-2A	0.25 in	4.00 in	1,400 lb	\$95.00
17768	2.00 in	-	2.50 in	3/8-24 UNF-2A	3/8-24 UNF-2A	0.12 in	5.50 in	400 lb	\$143.00
17769**	1.25 in	-	0.75 in	1/4-28 UNF-2A	1/4-28 UNF-2A	0.12 in	3.00 in	400 lb	\$159.00
17771**	1.25 in	-	0.75 in	1/2-20 UNF-2A	1/2-20 UNF-2A	0.25 in	3.00 in	1,400 lb	\$69.00
115292***	1.25 in	-	0.75 in	1/4-28 UNF-2A	1/4-28 UNF-2A	0.12 in	3.00 in	300 lb	\$111.00
33084****	1.31 in	-	1.00 in	1/2-20 UNF	1/2-20 UNF	0.125 in	3.62 in	850 lb	\$87.00

*Do not exceed the safe load **Used with Rice Lake Weighing Systems flexure bases ***Stainless steel ****Used with Rice Lake Weighing Systems FXB flexure bases

Cardinal[®] Wire Rope Assemblies



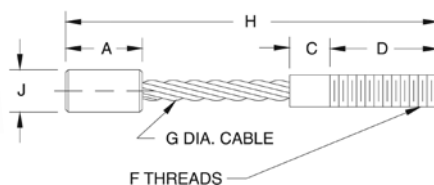
Standard Features

- EL208 Cardinal wire rope assembly: Used on 7,500 lb capacity FH model and 8,000 lb capacity EP model.
- EL209 Cardinal wire rope assembly: Used on 20,000 lb capacity FH and EP models. May also be used on 15,000 lb capacity FH and EP models.

Part Number/Price

Part #	A	B	C	D	E	F	G	H	I	J	K	L & M	N	Price
17763	1.50 in	-	0.50 in	1.50 in	-	1/2-13 UNC	0.25 in	6.00 in	0.81 in	0.43 in	-	-	0.43 in	\$126.50
17767	1.71 in	0.75 in	0.09 in	2.00 in	0.43 in	6.31 in	3/4-10 UNC-2A	1.25 in	-	0.60 in	0.50 in	0.625 in	0.375 in	\$247.50

Custom Wire Ropes



Standard Features

- Custom wire ropes are available for your specific applications
- When ordering, please complete Custom Wire Rope Definition Form, a sample if possible, the required tension rating and total capacity.

Custom Wire Rope Definition Form

Customer's Name: _____

Contact Person: _____

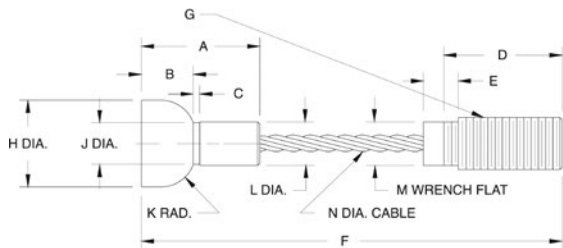
Date: _____

Application: _____

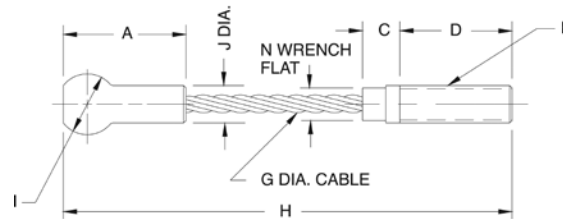
Wire Rope* (Enter Dimensions to Form)

A Thread length	F Threads	K Safe load
B Shank length	G Rope diameter	L Environment
C Shank length	H Overall length	M Application
D Thread length	I Ball diameter	N Style
E Threads	J Shank diameter	O Desired Material

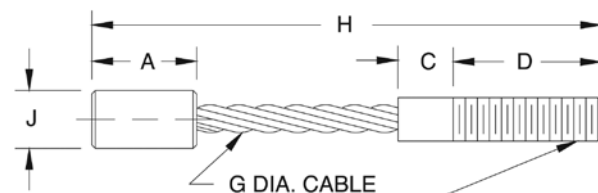
*Use drawings below for reference



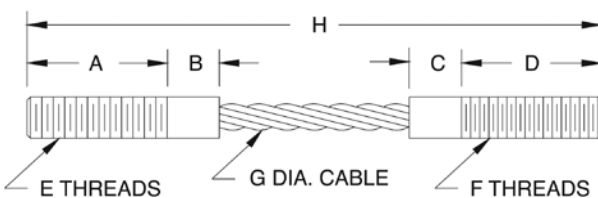
Style A



Style B



Style C

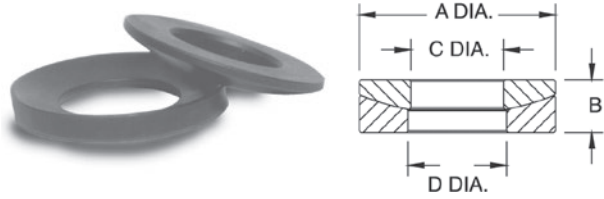


Style D



Style E

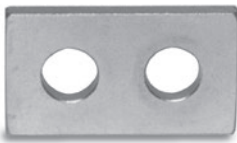
Spherical Washer Sets



Part Number/Price

Part #	Bolt Size	A	B	C	D	Price
Mild Steel						
15196	0.25 in	0.62 in	0.20 in	0.28 in	0.31 in	\$16.00
15197	0.38 in	0.88 in	0.25 in	0.41 in	0.44 in	\$19.00
15198	0.50 in	1.12 in	0.31 in	0.53 in	0.56 in	\$8.50
15199	0.62 in	1.38 in	0.31 in	0.66 in	0.69 in	\$20.00
15200	0.75 in	1.62 in	0.38 in	0.78 in	0.81 in	\$25.00
15201	1.00 in	2.00 in	0.50 in	1.06 in	1.12 in	\$39.00
15202	1.25 in	2.62 in	0.50 in	1.31 in	1.38 in	\$72.00
15203	1.50 in	2.88 in	0.53 in	1.56 in	1.62 in	\$79.00
15205	2.00 in	3.88 in	0.81 in	2.06 in	2.12 in	\$127.00
Stainless Steel						
33218	0.50 in	1.12 in	0.31 in	0.53 in	0.56 in	\$27.00
33220	0.75 in	1.62 in	0.38 in	0.78 in	0.81 in	\$38.00

Load Cell Spacers

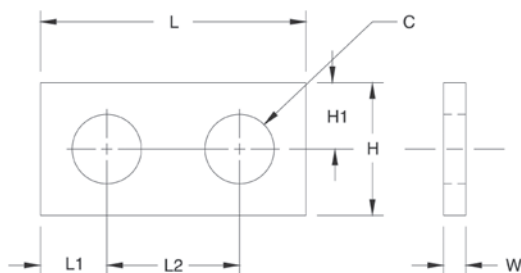


Standard Features

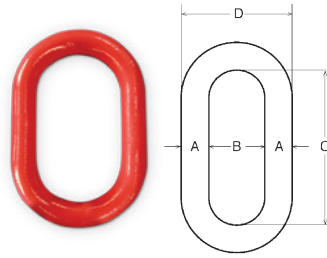
- Use with most popular single-ended beams
- Provides flat mounting surface required for optimum load cell performance
- Zinc-plated mild steel or stainless steel

Part Number/Price

Part #	C	H	H1	L	L1	L2	W	Price
Mild Steel								
17754	0.53 in	1.25 in	0.62 in	2.25 in	0.62 in	1.00 in	0.25 in	\$29.00
17755	0.78 in	1.50 in	0.75 in	3.00 in	0.75 in	1.50 in	0.25 in	\$29.00
17756	1.03 in	2.00 in	1.00 in	4.00 in	1.00 in	2.00 in	0.25 in	\$30.00
18260	0.53 in	1.25 in	0.62 in	2.25 in	0.62 in	1.00 in	0.37 in	\$31.00
Stainless Steel								
17757	0.78 in	1.50 in	0.75 in	3.00 in	0.75 in	1.50 in	0.25 in	\$37.00
18383	0.53 in	1.25 in	0.62 in	2.25 in	0.62 in	1.00 in	0.37 in	\$32.00
18411	0.53 in	1.25 in	0.62 in	2.25 in	0.62 in	1.00 in	0.25 in	\$33.00



Weldless End Links



Standard Features

- Self-colored or hot-dip galvanized
- Forged carbon steel quenched and tempered

Part Number/Price

Part #	A	B	C	D	Safe Load*	Price
F312L	0.625 in	1.00 in	3.25 in	2.32 in	9,300 lb	\$58.00
17810	0.875 in	2.00 in	5.13 in	3.75 in	12,000 lb	\$175.00
21911	1.00 in	2.25 in	5.75 in	4.25 in	15,200 lb	\$344.00
65430	1.25 in	2.50 in	7.00 in	5.00 in	26,400 lb	\$159.00
21912	1.375 in	2.75 in	7.75 in	5.50 in	30,000 lb	\$488.00

*Do not exceed the safe load

Load Button

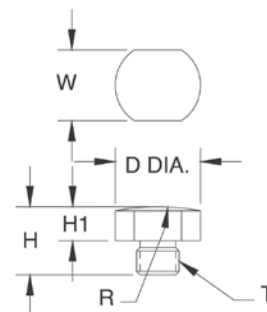


Standard Features

- Suitable for use with compression mounting assemblies, canisters, s-beams and single-ended beams
- Hardened alloy steel

Part Number/Price

Part #	T	D	H	H1	R	W	Price
17750	3/8-24 UNF	0.75 in	0.60 in	0.30 in	2.00 in	0.63 in	\$37.00
17751	1/2-20 UNF	0.75 in	0.70 in	0.30 in	4.00 in	0.63 in	\$32.00
17752	3/4-16 UNF	1.50 in	0.90 in	0.30 in	6.00 in	1.25 in	\$50.00



Load Button Insert Kit

Surefoot™

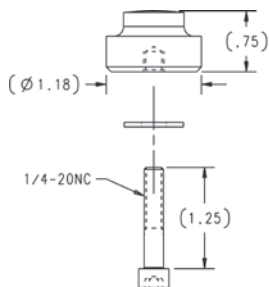


Standard Features

- To be used with RLSSB and VPG® Revere load cells (1,000 lb - 5,000 lb)
- Hardened alloy steel

Part Number/Price

Part #	Description	Price
26112	Load button insert kit	\$37.00



Standard Features

- Replacement foot, adapts to most floor scales
- Use with single-ended beams to provide large, flat, adjustable introduction surface
- Special neoprene rubber sandwich base gives high accuracy, linearity and repeatability

Part Number/Price

Part #	Material	Thread Size	Base Ht.	Total Ht.	Diameter	Price
18756	Stainless steel	1/2-20 UNF	0.75 in	2.62 in	3.47 in	\$50.00
39021	Mild steel	3/4-16 UNF-2B	0.875 in	3.25 in	4.40 in	\$93.00
39022	Mild steel	3/4-16 UNF-2B	0.875 in	4.06 in	5.40 in	\$135.00
110930	Mild steel	1-14 UNF	1.0 in	4.06 in	5.40 in	\$235.00
42130	Stainless steel	M12	-	2.62 in	3.47 in	\$103.00

Flintec™ Adjustable Rubber Foot



SLB, SB4, SB5, SB14 and SB6



BK2

Standard Features

- Blind hole introduction
- Low profile
- Height adjustable by rotation
- Includes spacer
- Stainless steel

Part Number/Price

Part #	Foot Diameter	Load Cell Capacity	Price
Flintec SLB, SB4, SB5, SB14 and SB6			
46230	2.36 in	200 lb-500 lb	\$65.00
77561	3.14 in	1,000 lb-5,000 lb	\$65.00
Flintec BK2			
87096	3.140 in	200 kg-2,000 kg	\$65.00

Bench Scale Feet



107476



19141



35128

Standard Features

- Rubber pad
- 1/4-20 UNC threads
- Stainless steel
- 3/8-16 UNC thread

Part Number/Price

Part #	Description	Price
Rubber Pad		
35128	Bench scale feet	\$14.00
107476	CW 90/CW 90X feet	\$21.00
Stainless Steel		
19141	Bench scale feet	\$8.00

Polyurethane Rubber Leveling Feet



Standard Features

- 3 in overall height, all diameters
- Stainless steel stem for corrosion resistance
- Heavy-duty construction, low-cost replacement feet
- Four standard diameters all with 1/2-20 UNF SS stud, slotted for top-access applications
- Zinc plated carbon steel jam nut provided
- Top of stud is machined undersize 10 percent for easy alignment into load cell

Part Number/Price

Part #	Foot Diameter	Height	Price
74585	1.87 in	3 in	\$32.00
74586	2.00 in	3 in	\$32.00
74587	2.50 in	3 in	\$32.00
73801	3.00 in	3 in	\$32.00

Captured Ball Floor Scale Leveling Feet



Carbon

Stainless Steel

Standard Features

Carbon Steel

- Bright zinc and clear chromate plating for corrosion resistance
- Active ball suspension provides ideal load cell loading with maximum side load protection
- Hardened alloy steel with plated finish
- Includes two jam nuts, one for wrench access
- Top of stud is machined undersized 10 percent for easy alignment into load cell plus slotted for top-access applications

Stainless steel

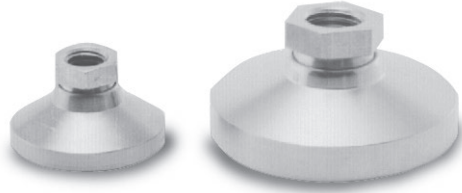
- Provides outstanding accuracy, repeatability and performance
- Active ball suspension provides optimum load cell performance
- Hardened stainless steel material, welded with polished finish
- Includes two stainless steel jam nuts, one for wrench access
- Top of stud is machined undersized 10 percent for easy alignment into load cell plus slotted for top-access applications

Part Number/Price

Part #	Foot Diameter	Thread Size Inches	Height	Price
Carbon Steel				
74578	1.87 in	1/2-20 UNF	3.5 in	\$45.00
74579	2.00 in	1/2-20 UNF	3.5 in	\$45.00
74580	2.50 in	1/2-20 UNF	3.5 in	\$45.00
74581	3.00 in	1/2-20 UNF	3.5 in	\$45.00
74582	3.00 in	3/4-16 UNF	4.5 in	\$56.00
74583	3.00 in	1-12 UNF	4.5 in	\$67.00
74584	3.00 in	1-14 UNF	4.5 in	\$67.00
171449	3.00 in	1-14 UNF	5.0 in	\$83.00
173018	4.40 in	3/4-16 UNF	3.13 in	\$96.00
174937	5.40 in	3/4-16 UNF	4.13 in	\$139.00
Stainless Steel				
74572	1.87 in	1/2-20 UNF	3.5 in	\$80.00
74573	2.00 in	1/2-20 UNF	3.5 in	\$80.00
73800	2.50 in	1/2-20 UNF	3.5 in	\$80.00
74574	3.00 in	1/2-20 UNF	3.5 in	\$61.00
74575	3.00 in	3/4-16 UNF	4.5 in	\$113.00
74576	3.00 in	1-12 UNF	4.5 in	\$136.00
74577	3.00 in	1-14 UNF	4.5 in	\$136.00
92380*	2.50 in	1/2-20 UNF	3.5 in	\$80.00
175615	3.47 in	1/2-20NF	2.62 in	\$108.00

*Stem is fully threaded

Leveling Pads



Standard Features

- Replacement feet adapt to most floor scales
- Available in cadmium-plated steel or stainless steel
- Simple swivel design
- Use with single-ended shear beams or bending beams to provide a large, flat load introduction surface

Part Number/Price

Part #	Thread Size	Height	Diameter	Price
Mild Steel				
18817	1/2-13 NC	1.12 in	1.87 in	\$27.00
18820	3/4-10 NC	1.50 in	3.00 in	\$47.00
Stainless Steel				
18818	1/2-13 NC	1.12 in	1.87 in	\$63.00
18833	3/4-10 NC	1.50 in	3.00 in	\$109.00

Used in conjunction with leveling pad stems

Leveling Mount



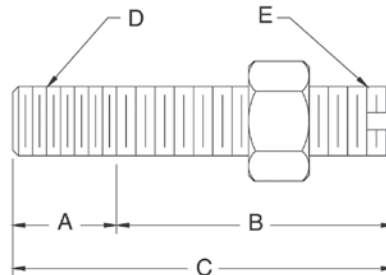
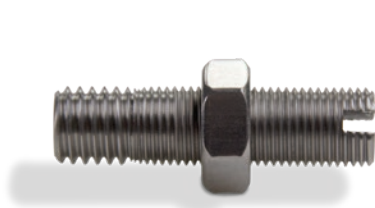
Standard Features

- Designed for use with some floor scales or machinery platforms
- Can be used as a replacement foot on the SP floor scale to limit vibrations transmitted to the scale through the floor
- Provides vibration isolation on most portable platforms

Part Number/Price

Part #	Thread Size	Height	Diameter	Price
18819	1/2-13 NC	1.81 in	5.00 in	\$106.00

Leveling Pad Stems



Standard Features

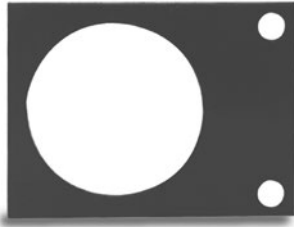
- For use with leveling pads
- One jam nut included

Part Number/Price

Part #	A	B	C	D	E	Slot	Material	Price
Mild Steel								
17693	0.75 in	2.00 in	2.75 in	3/4-10 UNC	3/4-16 UNF	NO	1045	\$17.00
Stainless Steel								
17689	0.50 in	1.50 in	2.00 in	1/2-13 UNC	1/2-20 UNF	YES	SS	\$25.00
17695	0.75 in	2.00 in	2.75 in	3/4-10 UNC	3/4-16 UNF	NO	SS	\$40.00

Warning: Do not use to suspend a load

RoughDeck® Scale Base



Part Number/Price

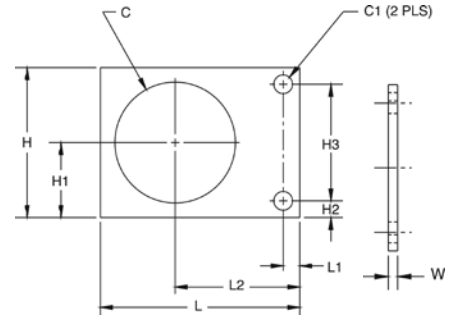
Part #	Description	Price
19075	Mild steel, 1,000 lb-10,000 lb	\$19.00
19076	Stainless steel, 1,000 lb-10,000 lb	\$24.00

Dimensions

Part #	C	C1	H	H1	H2	H3	L	L1	L2	W
19075	3.62 in	0.56 in	4.50 in	2.25 in	0.50 in	3.50 in	6.00 in	0.50 in	3.75 in	0.25 in
19076	3.62 in	0.56 in	4.50 in	2.25 in	0.50 in	3.50 in	6.00 in	0.50 in	3.75 in	0.25 in

Standard Features

- Secures RoughDeck and other popular floor scales
- Prevents movement in horizontal plane
- Useful with SureFoot™ and other load cell foot assemblies
- Available in stainless steel and mild steel



Summit® 3000 Scale Base



Part Number/Price

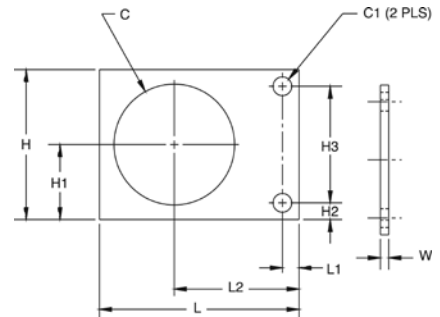
Part #	Description	Price
76149	Mild steel, 2,000 lb-10,000 lb	\$19.00

Dimensions

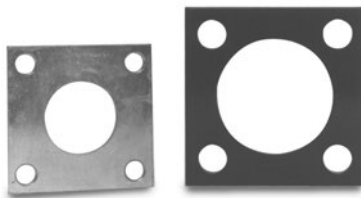
Part #	C	C1	H	H1	H2	H3	L	L1	L2	W
76149	3.19 in	0.56 in	4.50 in	2.25 in	0.50 in	3.50 in	6.00 in	0.50 in	3.75 in	0.25 in

Standard Features

- Mounting plate for Summit® 3000 floor scales
- Available in mild steel



Floor Scale Base



Part Number/Price

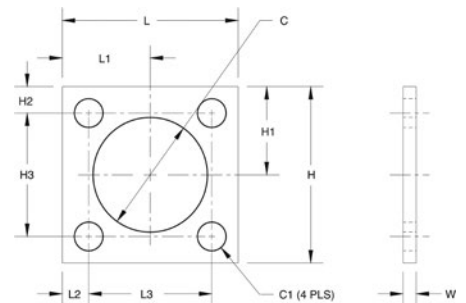
Part #	Description	Price
18737	Mild steel, 1,000 lb-10,000 lb	\$9.00
18738	Mild steel 10,000 lb-20,000 lb	\$10.00
18751	Stainless steel 1,000 lb-10,000 lb	\$34.00

Dimensions

Part #	C	C1	H	H1	H2	H3	L	L1	L2	L3
18737	2.00 in	0.53 in	4.00 in	2.00 in	0.50 in	3.00 in	4.00 in	2.00 in	0.50 in	3.00 in
18738	3.25 in	0.81 in	5.00 in	2.50 in	0.75 in	3.50 in	5.00 in	2.50 in	0.75 in	3.50 in
18751	2.00 in	0.53 in	4.00 in	2.00 in	0.50 in	3.00 in	4.00 in	2.00 in	0.50 in	3.00 in

Standard Features

- Suitable for use with leveling pads
- Generic mounting plate for popular floor scales
- Fits most floor scale foot assemblies
- Available in stainless steel and mild steel (mild steel parts are zinc plated/painted)



Complete Custom Cable Services



Standard Features

- Special cable requirements
- Custom-built cable designed specifically for your application
- Choose from design elements and Rice Lake Weighing Systems will build a cable to your specifications
- Quick turnaround
- Competitively priced
- 5,000 ft minimum purchase

Specifications

Jacket Material:

PVC
Polyurethane
Double-jacketed

Conductors:

Unlimited number
Twisted pairs
Color code
Gauge

Shielding:

Braided
Foil

Jacket Colors:

Black, brown, green, orange, red, blue, yellow, gray, natural

Ink Colors:

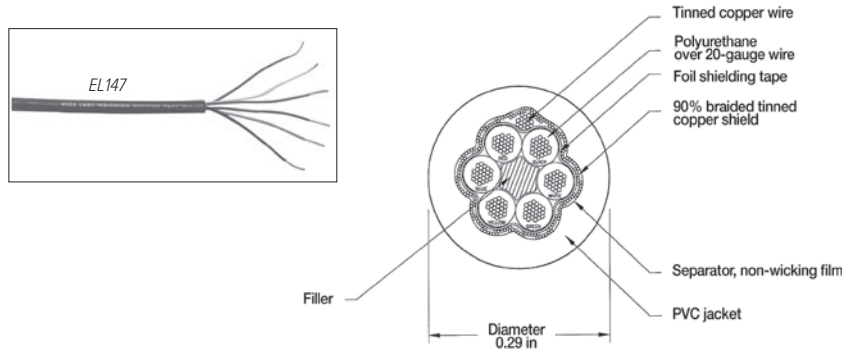
Black, white, silver, orange
Custom logos

Approvals:



EL147, 6 Wire

Standard Load Cell Cable



Standard Features

- Six-wire load cell cable
- 20 AWG tinned copper wire stranded for flexibility
- Braided shielding is encased in red PVC
- All conductors are industry-standard color coded
- Diameter: 0.29 in
- The six-wire cable is best suited for longer runs where remote sense lines can be used
- Temperature rating: -22°F to 126°F (-30°C to 80°C)
- Tinned copper overbraid provides superior rodent

APPROVALS



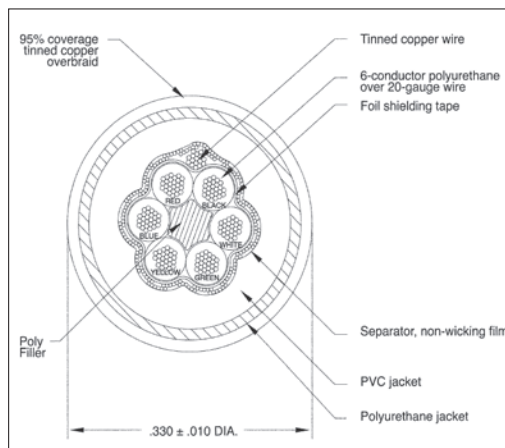
Part Number/Price

Part #	Continuous Roll	Description	Price
15515	100 ft	Six-conductor cable	\$228.00
15516	250 ft	Six-conductor cable	\$503.00
15517	500 ft	Six-conductor cable	\$938.00
15518	1,000 ft	Six-conductor cable	\$1,828.00
15495	Custom length	Six-conductor cable	\$2.28/ft

EL147RP Plus, 6 Wire

Rodent Protection Load Cell Cable

Six-conductor polyurethane over 20 gauge stranded wire
95% tinned copper overbraid



Standard Features

- and abrasion deterrent
- Enhanced EMI/RFI protection
- Six-conductor industry-standard color code
- Ideal for truck and railroad-track scales
- Diameter: 0.33 in
- Temperature rating -22°F to 176°F (-30°C to 80°C)
- Jacket coating enhanced with a chemical coating "NAW" that is distasteful to rodents
- Designed for use in hostile environments
- Polyurethane jacketing provides superior

Part Number/Price

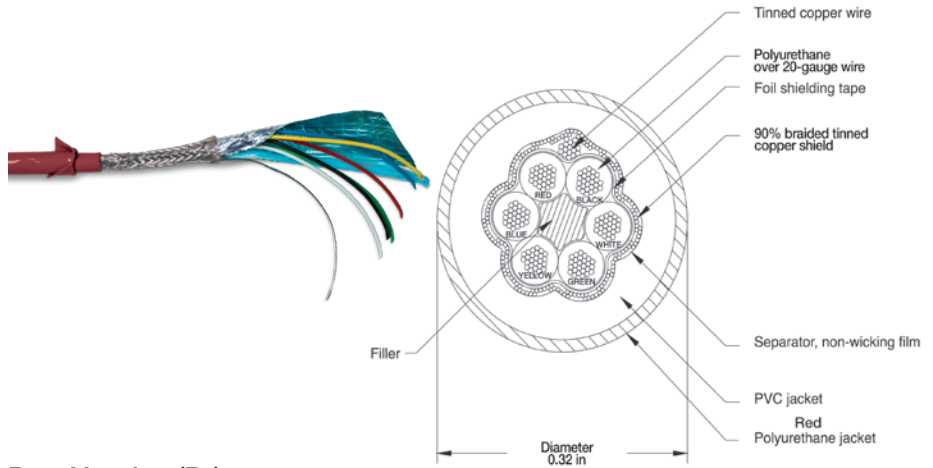
Part #	Continuous Roll	Description	Price
31475	Custom length	Six-conductor hostile environment cable	\$4.00/ft
131964	100 ft	Six-conductor hostile environment cable	\$397.00
131965	250 ft	Six-conductor hostile environment cable	\$917.00
131966	500 ft	Six-conductor hostile environment cable	\$1,818.00
131967	1,000 ft	Six-conductor hostile environment cable	\$3,524.00

EL147HE, 6 Wire

Hostile Environment Load Cell Cable

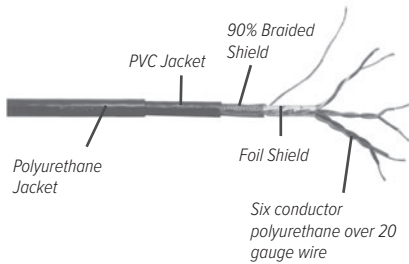
Standard Features

- chemical and abrasion resistance
- RFI and EMI protected with foil over braid shield
- Unmatched durability, yet extremely flexible
- All conductors are industry-standard color coded
- Diameter: 0.32 in
- Temperature rating: -22°F to 176°F (-30°C to 80°C)
- 500 V rating
- Designed for intrinsically safe applications (must be wired according to Factory Mutual System-approved diagram)



Part Number/Price

Part #	Continuous Roll	Description	Price
15520	100 ft	Six-conductor hostile environment cable	\$265.00
15521	250 ft	Six-conductor hostile environment cable	\$636.00
15522	500 ft	Six-conductor hostile environment cable	\$1,182.00
15523	1,000 ft	Six-conductor hostile environment cable	\$2,050.00
15496	Custom length	Six-conductor hostile environment cable	\$2.80/ft

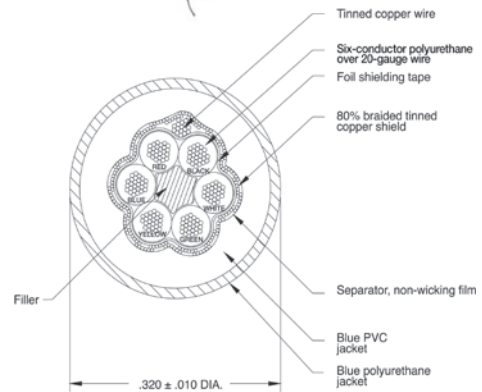
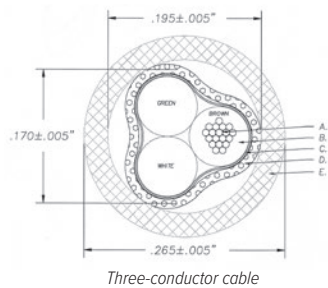
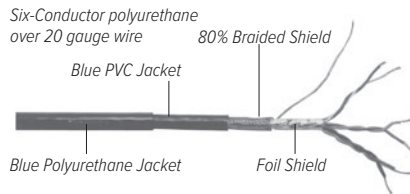


EL147IS, 6 Wire

Hazardous Environment Blue Jacket Load Cell Cable

Standard Features

- Polyurethane over PVC double jacketing provides superior chemical and abrasion resistance
- Both foil and braided wire shields for added RFI and EMI protection
- Six-conductor is industry-standard color coded (Also available three-conductor)
- Suited for longer runs where remote sense lines can be used
- Temperature rating: -22°F to 176°F (-30°C to 80°C)
- Diameter: 0.32 in

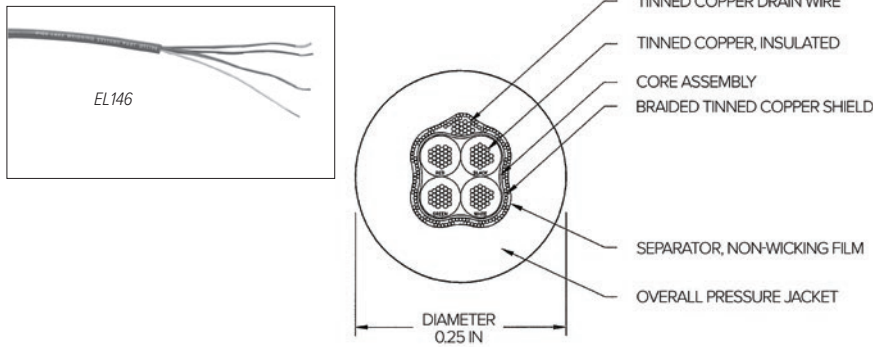


Part Number/Price

Part #	Description	Price
32817	EL147IS, blue jacket six-conductor	\$3.34/ft
72241	Blue jacket, shielded three-conductor, UL and CSA recognized	\$2.65/ft

EL146, 4 Wire

Standard Load Cell Cable



Part Number/Price

Part #	Continuous Roll	Description	Price
15505	100 ft	Four-conductor cable	\$143.00
15506	250 ft	Four-conductor cable	\$334.00
15507	500 ft	Four-conductor cable	\$652.00
15508	1,000 ft	Four-conductor cable	\$1,075.00
15493	Custom length	Four-conductor cable	\$1.55/ft

Standard Features

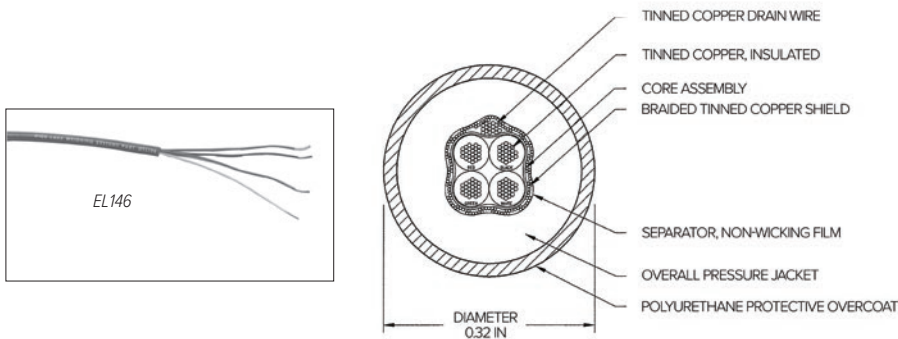
- 4-wire load cell cable
- 20 AWG tinned copper wire stranded for flexibility
- Braided shielding is encased in red PVC
- All conductors are industry-standard color coded
- Diameter: 0.25 in
- Use the four-wire cable for repairing or extending existing cable
- Temperature rating: -22°F to 126°F (-30°C to 80°C)
- Designed for use in hostile environments

APPROVALS



EL146HE, 4 Wire

Hostile Environment Load Cell Cable



Part Number/Price

Part #	Continuous Roll	Description	Price
15510	100 ft	Four-conductor hostile environment cable	\$175.00
15511	250 ft	Four-conductor hostile environment cable	\$424.00
15512	500 ft	Four-conductor hostile environment cable	\$805.00
15513	1,000 ft	Four-conductor hostile environment cable	\$1,606.00
15494	Custom Length	Four-conductor hostile environment cable	\$1.96/ft

Standard Features

- Polyurethane jacketing provides superior chemical and abrasion resistance
- RFI and EMI protected with foil over braid shield
- Unmatched durability, yet extremely flexible
- All conductors are industry-standard color coded
- Diameter: 0.32 in
- Temperature rating: -22°F to 176°F (-30°C to 80°C)
- 500 V rating

EL144 Communications Cable

Standard Features

- Two-conductor with bare ground
- RFI/EMI protected with foil shield
- 20 gauge conductors
- Perfect for RS-232, two-wire RS-485 and 20 mA current loop communications
- Diameter: 0.19 in



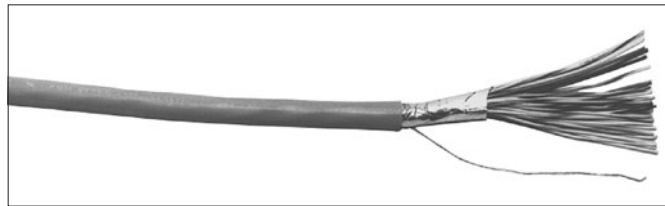
Part Number/Price

Part #	Description	Price
32803	EL144	\$1.22/ft
72691	EL11, 100 ft	\$90.00
72072	EL144, 500 ft	\$477.00
72693	EL144, 1,000 ft	\$865.00

BCD Cable

Standard Features

- Sheathed in gray PVC
- Mylar aluminum foil shield with stranded tinned copper drain wire
- Diameter: 0.375 in



Part Number/Price

Part #	Description	Price
15497	BCD, 24 AWG, 30-conductor	\$29.00/ft

Fiber-Optic Cable



Color Code: Black-TXD, Blue-RXD

Part Number/Price

Part #	Description	Price
78910	Custom length	\$1.75/ft
78026	100 ft cable	\$175.00
78027	200 ft cable	\$328.00
78028	300 ft cable	\$425.00
83052*	Fiber-optic connector	\$48.00
80892	Fiber-optic cable cutter	\$12.00
85548	Fiber-optic hot knife	\$55.00

*Duplex fiber cable requires two connectors

Standard Features

- Duplex cable polyethylene black jacket material
- 4.4 + 0.10 mm outer diameter of duplex cable
- 2.2 + 0.007 mm single cable outer diameter
- Operating temperature: 32°F to 158°F (0°C to 70°C)

SURVIVOR® EL620HE

High Temperature Cable



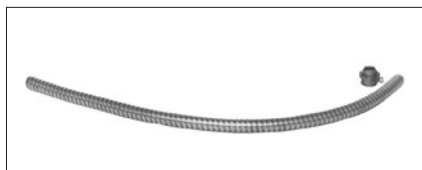
Part Number/Price

Part #	Description	Price
15605	EL620HE	\$13.00/ft

Standard Features

- Multi-conductor overall foil and braid shield
- Suitable for temperatures from -40°C (-40°F) to 200°C (392°F)
- Insulation thickness - 0.010 in
- Jacket thickness - 0.017 in
- 18 gauge, tinned copper conductors
- Six-wire or six-conductor
- PTFE jacket, resistant to chemical corrosion and high temperature
- Aluminum-polyester shield with 85% tinned copper braid shield
- 150 V NEC 725 Class 2 classified for use in an air plenum non-conduit
- 0.24 in diameter cable

SURVIVOR® Cable Armor



Part Number/Price

Part #	Description	Price
17808	Galvanized steel	\$4.50/ft
17806	Stainless steel	\$5.50/ft
17807	Optional end fitting	\$2.65 each

Standard Features

- Flexible all-metal protective armor
- Ideal for protecting load cell cable from mechanical abrasion or rodents
- Available in stainless steel and galvanized steel
- 0.5 in internal diameter, 2.0 in minimum bend radius
- Optional end fitting with 1/2 in male pipe thread

EL148HE Mettler Toledo®

Replacement Power Cell Cable

Standard Features

- 100% stainless steel military connector-electro deposited nickel plating with stainless banding and epoxy heat-shrink strain relief
- Stainless steel artic ring precision cut for improved connection
- Textured rubber boot for additional grip
- Standard Mettler Toledo® color code
- Compatible with Mettler Toledo® Powercell CMOS/NMOS and MTX load cells. NOT compatible with Mettler Toledo PDX load cells
- Custom lengths available



Part Number/Price

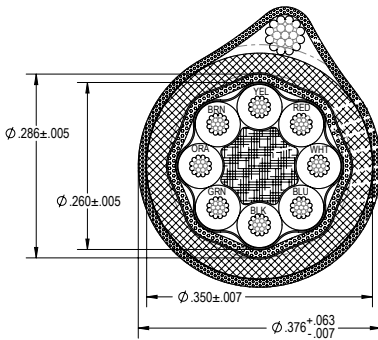
Part #	Cable Length Each	Price
100268	8 ft	\$387.00
101102	12 ft	\$397.00
104164	15 ft	\$380.00
100269	26 ft	\$419.00
100270	35 ft	\$440.00

Mettler Toledo® Power Cell®

Homerun Cable

Standard Features

- Galvanized steel drain wire
- 20 gauge 8 conductors
- Stainless steel braid shield



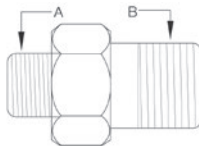
Part Number/Price

Part #	Description	Price
194837	Galvanized steel	\$8.50/ft

Load Cell Conduit Adaptors

Standard Features

- Used to adapt conduit to load cells
- 303 stainless steel



31534



31535



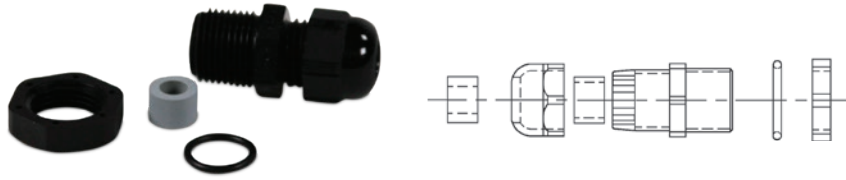
31533

Part Number/Price

Part #	A	B	Price
Thread-On			
31533	3/8-24 UNF	—	\$37.00
31534	—	1/4-18 NPT	\$37.00
31535	5/8-18 UNF	1/2-14 NPT	\$37.00

Note: 31533 and 31534 are used together to form male-to-male adaptor

Cord Grip Assemblies



Standard Features

- Assemblies include cord grip, locknut, "O"-ring seal, gray and black reducer glands
- Fittings are made of weather- and corrosion-resistant nylon

Part Number/Price

Gland Cable Ranges					
Part #	Thread	Panel Hole Diameter	Regular (Black)	Reducer (Gray)	Price
15669	PCN9	0.625 in	0.157 in-0.314 in	0.118 in-0.236 in	\$5.25
15670	3/8 NPT	0.687 in	0.157 in-0.314 in	0.118 in-0.236 in	\$4.75
15671	1/2 NPT	0.844 in	0.236 in-0.472 in	0.200 in-0.354 in	\$5.50

EL214 Cable Splicing Kit



Standard Features

- Designed for a complete, professional transducer cable splice
- Prevents moisture from entering the load cell through the cable connector
- Each kit contains a high-impact plastic splicing box, liquid-tight cable fittings, circuit card, PTFE sleeving, premeasured potting compound and complete instructions
- Solder terminals
- Designed to accommodate cables larger than the EL214; all other dimensions and

Specifications

Dimensions:

(W x H x D)
3.00 in x 1.00 in x 1.50 in

Mounting Centers:

2.50 in

Number of Connections:

7

Cable Diameter:

0.187 - 0.312 in

Cure Time For Potting:

Epoxy-Polyamide resin cures in 2 hours at 73°F (23°C)

Part Number/Price

Part #	Description	Price
15485	EL214	\$143.00

EL214T Cable Splicing Kit



Standard Features

- performance features are the same
- Solder terminals

Specifications

Dimensions:

(W x H x D)
3.00 in x 1.00 in x 1.50 in

Mounting Centers:

2.50 in

Number of Connections:

7

Cable Diameter:

0.187 - 0.312 in

Cure Time For Potting:

Epoxy-Polyamide resin cures in 2 hours at 73°F (23°C)

Part Number/Price

Part #	Description	Price
15486	EL214T	\$154.00

EL215 Cable Splicing Kit



Specifications

Dimensions:

(W x L) 1.375 in x 6.0 in

Number of Connections:

7

Cable Diameter:

up to 0.75 in

Cure Time For Potting:

2 hours at 70°F (21°C)

Standard Features

- Designed for use in weather-exposed or direct-burial locations
- Each kit contains plastic splicing tube, circuit board, insulating resin and instructions
- Solder terminals

Part Number/Price

Part #	Description	Price
15612	EL215	\$116.00

Flintec™ Load Cell Cable

Replacement Kits



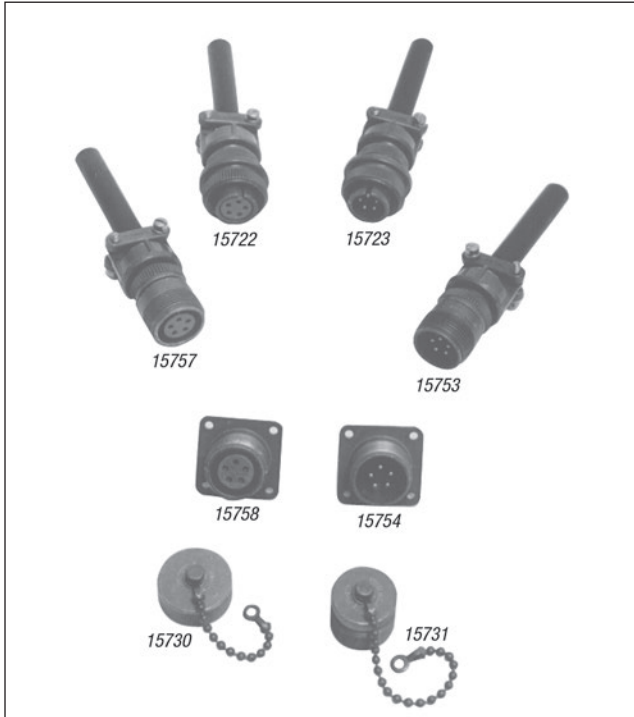
Standard Features

- Each kit includes cable for four Flintec SB4 or UB1 load cells as listed

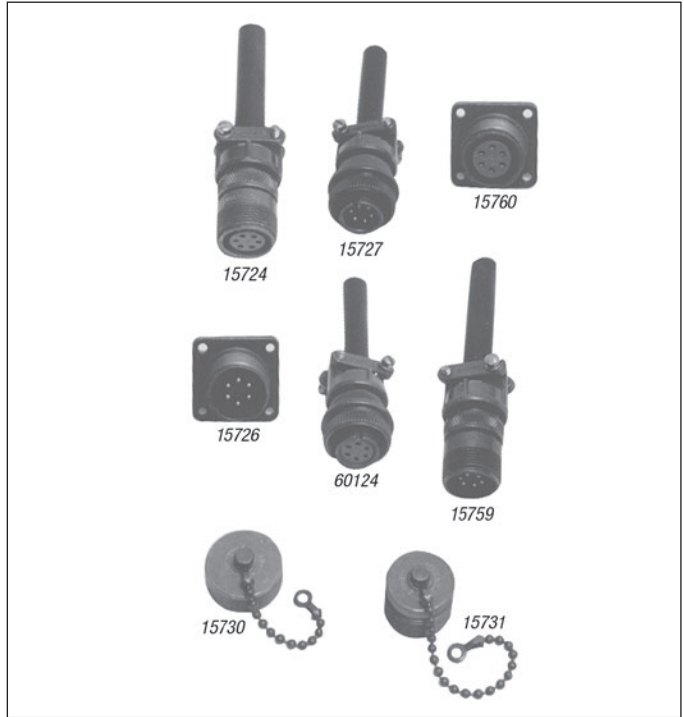
Part Number/Price

Part #	Description	Cable Length Ea. Feet	Price
18412	For SB4, 225-5,200 lb	10 ft	\$370.00
18413	For SB4, 11,250-22,500 lb	15 ft	\$397.00

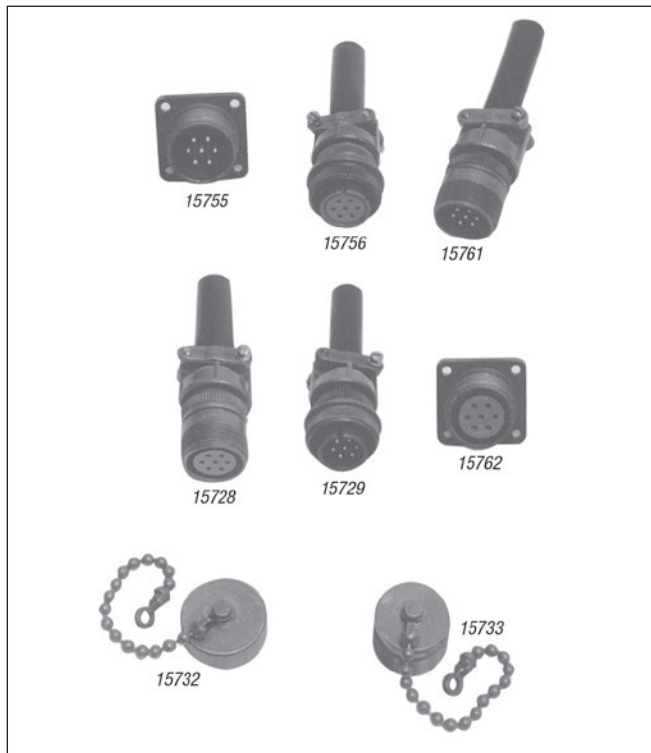
Five-Position Connectors, Shell Plugs, Receptacles



Six-Position Connectors, Shell Plugs, Receptacles



Seven-Position Connectors, Shell Plugs, Receptacles



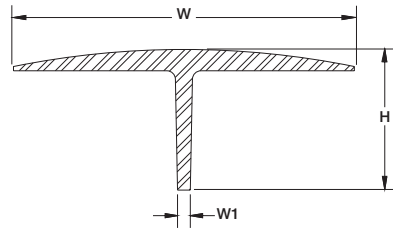
Part Number/Price

Part #	Description	Price
15753	Five-Pin, external thread	\$32.00
15722	Five-socket, internal thread	\$33.00
15723	Five-Pin, internal thread	\$32.00
15757	Five-socket, external thread	\$37.00
15754	Five-Pin chassis mount, external thread	\$37.00
15758	Five-socket chassis mount, external thread	\$23.00
15730	Dust cap for ext. thread five-position connector	\$14.00
15731	Dust cap for int. thread five-position connector	\$19.00
15759	Six-Pin, external thread, male	\$32.00
60124	Six-socket, internal thread connector, female fits Toledo load cells, Condec indicators	\$27.00
15727	Six-Pin, internal thread, male	\$31.00
15724	Six-socket, external thread	\$35.00
15726	Six-Pin chassis mount, external thread	\$24.00
15760	Six-socket chassis mount, external thread	\$23.00
15730	Dust cap for ext. thread six-position connector	\$14.00
15731	Dust cap for int. thread six-position connector	\$19.00
15761	Seven-Pin, external thread	\$33.00
15756	Seven-socket, internal thread	\$35.00
15729	Seven-Pin, internal thread	\$35.00
15728	Seven-socket, external thread	\$35.00
15755	Seven-Pin chassis mount, external thread	\$24.00
15762	Seven-socket chassis mount, external thread	\$27.00
15732	Dust cap for ext. thread seven-position connector	\$20.00
15733	Dust cap for int. thread seven-position connector	\$31.00

T-Grip Molding

Standard Features

- Designed for use in truck scale applications to prevent spillover into the pit
- Impact, tear and weather-resistant EPDM rubber
- Barbed web to hold molding in place
- Web thickness 0.22 in
- Available by the foot or 10 ft, 11 ft, 70 ft, 80 ft and 100 ft lengths
- Maximum continuous length is 450 ft



Part Number/Price

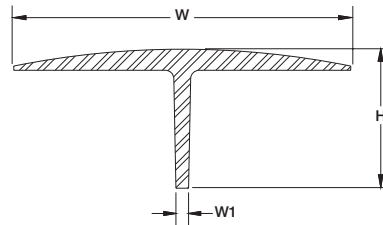
Part #	H	W	W1	Length	Price
18799	2.56 in	5.75 in	0.22 in	Sold by the foot	\$10.00/ft
18800	2.56 in	5.75 in	0.22 in	10 ft	\$95.00
18801	2.56 in	5.75 in	0.22 in	11 ft	\$105.00
18802	2.56 in	5.75 in	0.22 in	70 ft	\$695.00
33219	2.56 in	5.75 in	0.22 in	80 ft	\$795.00
33222	2.56 in	5.75 in	0.22 in	100 ft	\$995.00

Note: Maximum continuous length is 450 ft. Call for price and availability.

T-Strip Molding

Standard Features

- Designed for use in truck scale applications to prevent spill-over into the pit
- Impact, tear and weather-resistant SBR rubber
- Web thickness 0.25 in
- Available by the foot or in-10 ft, 11 ft, 70 ft, 80 ft and 100 ft lengths
- Maximum continuous length is 450 ft.



Part Number/Price

Part #	H	W	W1	Length	Price
18736	2.00 in	4.50 in	0.25 in	Sold by the foot	\$9.00/ft
18776	2.00 in	4.50 in	0.25 in	10 ft	\$90.00
18797	2.00 in	4.50 in	0.25 in	11 ft	\$99.00
18798	2.00 in	4.50 in	0.25 in	70 ft	\$630.00
33223	2.00 in	4.50 in	0.25 in	80 ft	\$720.00
33224	2.00 in	4.50 in	0.25 in	100 ft	\$895.00

Note: Maximum continuous length is 450 ft. Call for price and availability.

Electronic Scale Tickets

Standard Features

Hecon® Printers, EL522 & EL516 - 20266

- Carbon triplicate interleaved
- Size (W x L): 4.25 in x 7.875 in (127 mm x 200 mm)
- Order quantity: 500 per package

20266

DATE _____ No. _____

SELLER _____
BUYER _____

ADDRESS _____

CITY _____ STATE _____ ZIP _____

GROSS _____
TARE _____
NET _____

DRIVER ON OFF WEIGHED BY _____

FORM 510

Standard Features

SP2200, SP2000 - 20265

- Carbon triplicate interleaved, perforated and glued on one end
- Size (W x L): 5.5 in x 9 in (139.7 mm x 228.6 mm)
- Order quantity: 500 per package

Rice Lake Scales - 71630 or 105182

20265

ELECTRONIC SCALE TICKET No. _____

DATE _____

SELLER _____
BUYER _____

ADDRESS _____

CITY _____ STATE _____ ZIP _____

COMMODITY _____

PRICE _____

REMARKS _____

DRIVER ON OFF _____

WEIGHER _____

Form ES-4

Standard Features

- Carbonless duplicate or triplicate
- Size (W x L): 4.25 in x 7 in (107 mm x 177.8 mm) attached at 4.25 side
- Order quantity: 500 per package
- Custom (Duplicate): Add company name (min. order two packs)
- Custom (Triplicate): Add company name (min. order two packs)

Blank Scale Ticket - 22263

Customer Name: _____

Driver On p _____
Driver Off p _____

Customer Signature: _____

RICE LAKE
SCALE TICKETS

Standard Features

- 3-part carbonless
- White, canary yellow and pink
- Size (W x L): 4.25 in x 5.5 in (108 mm x 140 mm)
- Attached at 4.25 edge
- Custom: Add company name (min. order of 1,000)

Part Number/Price

Part #	Description	Price
20266	Hecon printers, EL522 & EL516, 500/pack	\$110.40
20265	SP2200, SP2000, EL250 & EL500, 500/pack	\$114.00
71630	Rice Lake ticket, two part, 500/pack	\$60.00
105182	Rice Lake ticket, three part, 500/pack white, canary yellow, pink	\$86.50
22263	Blank scale ticket, each	\$0.25 each

Printer Dust Covers



Standard Features

- Tough, flexible transparent vinyl, constructed with heavy-duty stitching
- Loose fit allows for operation of switches or controls through the dust cover
- Available for most types of scale equipment

Protect your electronic scales, weight indicators and printers with a dust cover. Reduce costly repairs and downtime due to moisture penetrating through instrument enclosures during cleanup or operation.

Part Number/Price

Part #	Model	Price
EPSON®		
29582	TM290/295	\$58.00
35666	TM-U200 TM-U220	\$63.00
111840	TM-U590	\$69.00
Oki-Data®		
21208	Oki-Data 184 Turbo Printer	\$69.00
21226	Oki-Data 320/390	\$69.00

Custom covers and specials available; consult factory.

Printer Cables



156809 (1m)
156811 (3m)
156815 (5m)



156817 (1m)
156818 (3m)
156821 (5m)



156806 (1m)
156807 (3m)
156808 (5m)

Part Number/Price

Part #	Description	Price
Interface Cables for TicketPress, SP-2200, TM-U295, TM-U590 and Star® Printers		
15547	Blunt end, 25-pin D-sub male RS-232 serial interface cable	\$70.00
15548	25-pin D-sub male to 25-pin D-sub male 20 mA serial interface cable (SP2200 only)	\$70.00
15568	25-pin D-sub male to 25-pin D-sub male RS-232 serial interface cable	\$70.00
Consult	Custom 20 mA/RS-232 serial interface cable	\$95.00
Interface Cables for I-Class		
15547	Blunt end, 25-pin D-sub male RS-232 serial interface cable	\$70.00
Consult	Custom RS-232 interface cable	\$95.00
Interface Cables for Desktops, GoDEX Models, Zebra, E-4203 and M-4206		
41276	DB9 male RS-232 cable to blunt end	\$70.00
Straight Cable		
70056	DB9 male to DB9 female	\$40.00
50749	DB9 female to DB9 female	\$60.00
41279	DB25 male to DB9 male	\$70.00
72440	DB25 male to DB9 female	\$67.00
Null Modem Cable		
66535	DB9F to DB9 female, Null modem	\$46.00
64794	DB9 male to DB9 female	\$69.00
USB Cable		
79074	USB-A (male) to USB-B (male) cable, 6 ft	\$35.00
153603	USB to nine-pin male RS-232 adapter	\$96.00
156806	USB-A (male) to USB-A (male) cable, 1 m	\$35.00
156807	USB-A (male) to USB-A (male) cable, 3 m	\$50.00
156808	USB-A (male) to USB-A (male) cable, 5 m	\$60.00
156809	USB-A (male) to USB-B (male) cable, 1 m	\$55.00
156815	USB-A (male) to USB-B (male) cable, 3 m	\$55.00
156811	USB-A (male) to USB-B (male) cable, 5 m	\$70.00
Ethernet Cable/RJ45		
72697	RJ45 to RJ45, 7 ft	\$40.00
78860	RJ45 to RJ45, cross over 7 ft	\$40.00
75594	RJ45 to nine-pin female	\$70.00
156817	RJ45, 1 m	\$35.00
156818	RJ45, 3 m	\$42.00
156821	RJ45, 5 m	\$50.00
Misc. Cables and Adapters		
22436	Blunt end, nine-pin D-sub female	\$67.00
130213	Blunt end DB25 male	\$58.00
165698	Female to male gender changer	\$11.25
119064	Stimline, Null modem gender changer, DB9 female/female	\$11.00
130789	Null modem DB9 M/F	\$13.00

Blunt-end cables interface to: UMC444, UMC555, UMC600, IQ700, IQ plus® 310A, IQ plus® 355, IQ plus® 390-DC, IQ plus® 510, IQ plus® 590-DC, IQ plus® 710, IQ plus® 800, and IQ plus® 810, 520 and 920i®

Custom cables are designed to interface with your specific equipment. Please specify equipment model number and connector type. Standard cable length is 5 ft.

Static Brushes



Part #	Staticmaster Part #	Description	Price
76669	1C200	Static brush 1 in	\$140.00
76670	1C200R	Replacement cartridge	\$90.00

Static Brushes



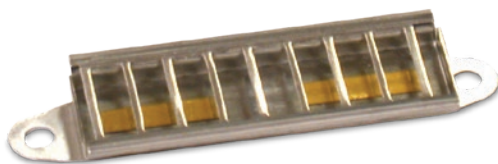
Part #	Staticmaster Part #	Description	Price
76671	3C500	Static brush 3 in	\$210.00
76672	3C500R	Replacement cartridge	\$145.00

Ionizing Strips



Part #	Staticmaster Part #	Description	Price
76677	1U400	Ionizing unit 1 in x 1 in	\$145.00
76678	1U200	Ionizing unit 1 in x 1 in	\$90.00
76676	2U500	Ionizing unit 1 in x 3 in	\$145.00

Ionizing Strip Accessories



Part #	Staticmaster Part #	Description	Price
76679	BF1	Ionizer positioner	\$73.00
76680	BF2	Ionizer positioner only - C bracket	\$105.00

Desiccants

Standard Features

- Packets
- Bagged desiccants to protect your enclosed electronic components from moisture and humidity
- Useful in junction boxes, indicators and all scale electronics



Part Number/Price

Part #	Description	Price
16038	Mini Pax® 7 g	\$1.22
16039	NatraSorb® 20g	\$2.23
92240	Silica gel 1 unit pkg 3 g	\$1.17

Industrial Corrosion Inhibitor

Standard Features

- Special chemical combination provides superior protection
- Protects 5 cubic feet/1.4 cubic meters of enclosure volume for approximately one year
- Dimensions: (W x H) 2.5 in x 1.5 in (63.5 mm x 38.1 mm)



Part Number/Price

Part #	Description	Price
16037	Corrosion inhibitor	\$42.00

Crimper and Lead Seals

Standard Features

Crimper

- 5 in (127 mm) seal press with two 0.5 in (12.7 mm) engraving dies
- Chrome finish
- Maximum number of characters that can be engraved on die is 9
- Compound leverage
- Quick delivery on custom dies

Lead Seals

- Heavy-duty seal with galvanized steel wire
- Length 16 in (406 mm)



Part Number/Price

Part #	Description	Price
21111	Crimper and two die blanks	\$148.00
15318	Crimper die blank (replacements)	\$64.00
15317	100 seals/pkg	\$53.00

Static Control Table Mat and Floor Mat



An absolute must for every workbench, this kit includes a 3-layer 2 ft x 4 ft table mat, 4 ft x 6 ft floor mat, ground cord and adjustable wrist strap. Designed specifically for energized circuit work, the static control table and floor mat provide superior protection against ESD.

Part Number/Price

Part #	Description	Price
34265	Static control table mat and floor mat	\$900.00

Static Control Wrist Strap



The single most important personal accessory for protecting ESD sensitive components and circuits, this wrist strap protects against charges from the body. The wrist strap consists of a comfortable elastic cuff or band and a detachable conductive cord for grounding the wrist band.

Part Number/Price

Part #	Description	Price
34263	Static control wrist strap	\$58.00

Static Shielding Bags



This static shield bag offers total ESD protection, whether you're transporting ESD-susceptible products across the room or across the country. The outer layer of the bag consists of an abrasion-resistant polyester, while the antistatic polyethylene inner layer retards triboelectric static charging from inside the bag.

Part Number/Price

Part #	Description	Price
16150	Static shielding bags, 8 in x 10 in	\$1.17 each
16151	Static shielding bags, 12 in x 18 in	\$3.45 each

Static-Safe Service Kit

Standard Features

- Eliminates static for safe board replacement
- Connects a field service technician and the static-safe work surface to the same ground point
- Harmlessly drains static charges from the body and from any conductive objects placed on the mat
- Folds into a compact unit for transport and storage



Part Number/Price

Part #	Description	Price
32818	Static-safe service kit	\$206.00

Rice Lake's Scale Technician Kits

Take Rice Lake's commitment to customer service into the field. Rice Lake's Scale Technician Kit has everything you need in one convenient backpack to troubleshoot and repair wherever you are.

PN 166205 Technician Tool Kit \$1,050.00

- Rice Lake backpack
- Simulator with vernier
- Digital volt meter
- Communication Kit



PN 166204 Communication Kit \$135.00

- Cinch sack
- Document Kit
- Six-in-one screwdriver
- Small RLWS screwdriver
- Test LEDs
- USB to serial converter
- DB9M to DB9F straight cable
- DB9F to blunt end cable
- DB25M to blunt end cable
- Female to female DB9 null modem adaptor
- Female to male DB9 gender changers
- Null modem adaptor
- TCP/IP patch cable
- TCP/IP crossover cable



PN 166203 Document Kit \$10.50

- Pinouts for a DB9 and DB25 cable shows both male and female connectors
- Pinouts and color codes for a patch and crossover Ethernet cable
- Recommended maximum cabling distances of RS-232, 20mA, 485 and Ethernet TCP/IP
- Standard ASCII chart in both decimal and hexadecimal
- Links to website to download latest version of Revolution® and iRev® (on CD)
- Link to freeware terminal program download (PUTTY, Hercules, RealTerm. etc.)
- Load cell color wire chart
- Weigh Modules and Vessel Weighing Handbook PN 43918
- Load Cell and Weigh Module Handbook PN 22054



PN 118432 Small Screwdriver \$3.00



Junction Boxes / Simulators

TABLE OF CONTENTS

JB4SS	404
<i>TuffSeal® Signal Trim Junction Box</i>	
JB4ES	405
<i>TuffSeal® Excitation Trim Junction Box</i>	
JB4SP AND JB4SPT	406
<i>TuffSeal® Signal Trim Junction Box</i>	
JB4EP AND JB4EPT	407
<i>TuffSeal® Excitation Trim Junction Box</i>	
EL204	408
<i>Signal Trim Junction Box</i>	
EL504	409
<i>Signal Trim Junction Box</i>	
JB8SP	410
<i>TuffSeal® Signal Trim Junction Box</i>	
JB8SPT	411
<i>TuffSeal® Signal Trim Junction Box</i>	
EL304A	412
<i>Signal Trim Junction Box</i>	
JB1010T	413
<i>Signal/Excitation Trim Junction Box</i>	
JB1010ST	414
<i>Signal Trim Junction Box</i>	
REPLACEMENT JUNCTION BOXES, BOARDS OR COMPONENTS	415
IQUBE²®	416
<i>Digital Diagnostic Junction Box</i>	
EL168	419
<i>1-Cell Junction Box</i>	
TP75 DC	419
<i>Transient Protection</i>	
UJB3T6 DC	420
<i>Transient Protection</i>	
TP232 RS-232	421
<i>High Energy Serial Protection</i>	
RANGER 1	421
<i>Variable Range Simulator</i>	
RANGER 3	422
<i>Variable Range Simulator</i>	
TRANSDUCER SIMULATOR 4	422
RANGER 5	423
<i>Variable Range Simulator</i>	
RANGER 7	423
<i>Variable Range Simulator</i>	

The following product names, logos, brands, and other trademarks featured or referred to within this publication are the property of their respective trademark holders.

JB4SS

TuffSeal® Signal Trim Junction Box



Approvals



Specifications

Cable Fittings:

- P/N 88956:
 - (4) PG7 0.118-0.255 strain relief
 - (2) PG11 0.197-0.394 strain relief
 - (1) PreVent™ breather vent
- P/N 107700:
 - (4) PG9 0.138-0.315 strain relief
 - (2) PG11 0.197-0.394 strain relief
 - (1) PreVent™ breather vent

Enclosure:

Stainless Steel NEMA Type 4X

Connectors:

Spring clamp screwless, 12-28 AWG

Trimming:

Individual cell, signal trim

Temperature:

Operating Range: 0°F to 122°F (-18°C to 50°C)

Potentiometers:

100,000 ohm, 25-turn cermet

Circuit Board:

3.8 in x 2.3 in, with conformal coating

Warranty:

One-year limited warranty

Standard Features

- Stainless steel, NEMA Type 4X enclosure
- Jumpers to enable/disable a load cell
- PreVent™ breather vent
- Conformal coated circuit board
- Number of cells: Two, three or four single cells
- Expansion port

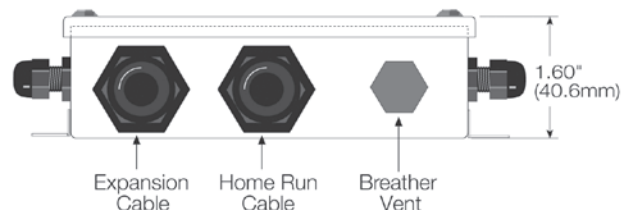
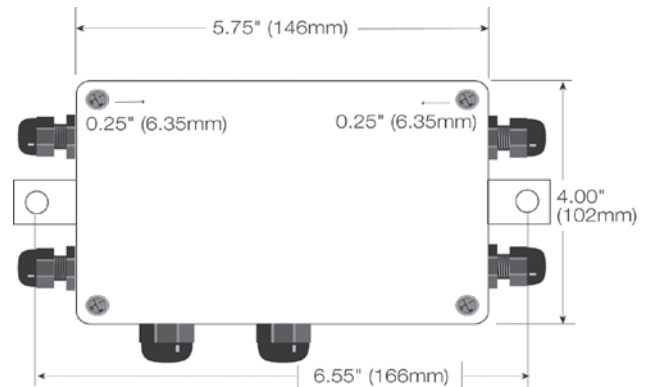
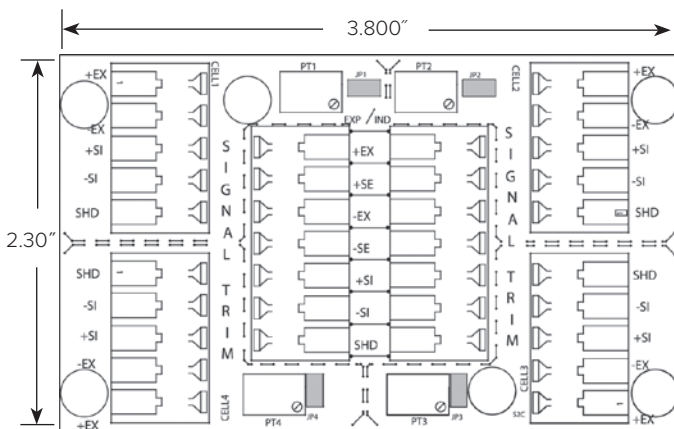
Applications

- Floor, tank, hopper scales

Part Number/Price

Part #	Description	Price
88956	JB4SS signal trim junction box with PG7 cord grips for load cells	\$275.00
107700	JB4SS signal trim junction box with PG9 cord grips for load cells	\$290.00
88958	Board only	\$175.00
182990	Board only with standoffs	\$180.00
165271	Enclosure only (Includes cord grips and filter)	\$150.00

Note: Do not mix junction box models or use other brands of junction boxes with Rice Lake junction boxes. There is a risk of system instability.



Specifications

Cable Fittings:

- (4) PG7 0.118-0.255 strain relief
- (2) PG11 0.197-0.394 strain relief
- (1) PreVent™ breather vent

Enclosure:

Stainless steel NEMA Type 4X

Temperature:

Operating Range: 0°F to 122°F (-18°C to 50°C)

Connectors:

Spring clamp screwless, 12-28 AWG

Trimming:

Individual cell, excitation trim

Potentiometers:

100 ohm, 25-turn cermet

Circuit Board:

3.8 in x 2.3 in, with conformal coating

Warranty:

One-year limited warranty

Approvals



Standard Features

- Stainless steel, NEMA Type 4X enclosure
- Jumpers to enable trimming
- PreVent™ breather vent
- Conformal coated circuit board
- Number of cells: Two, three or four single cells
- Expansion port

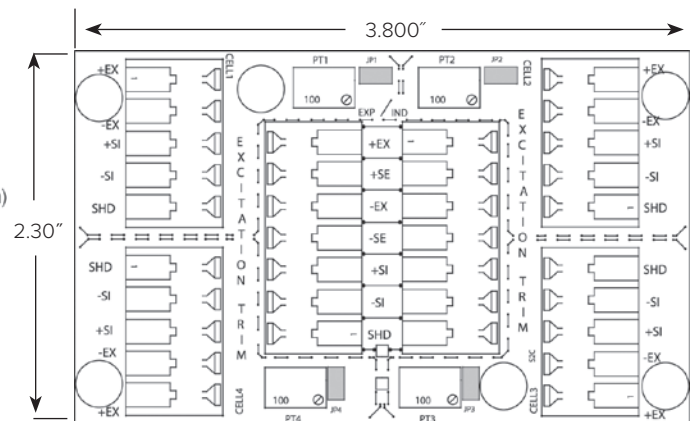
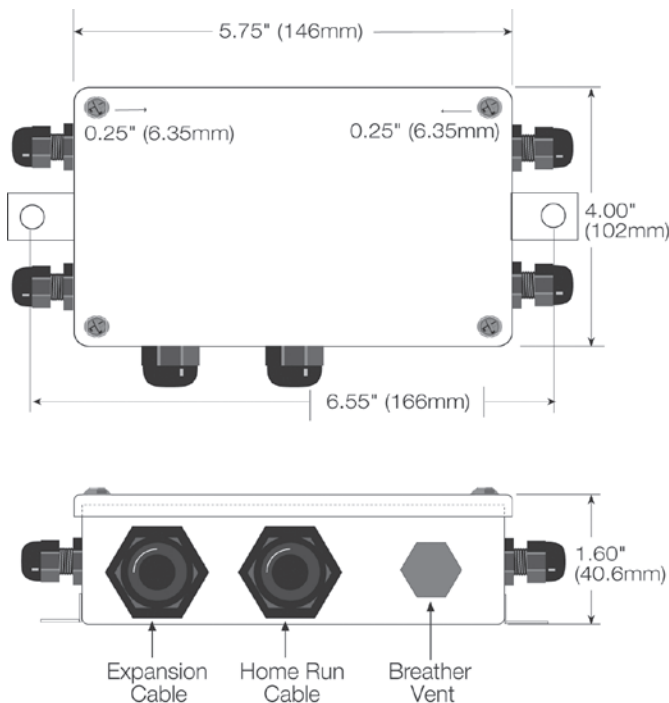
Applications

- Floor, tank, hopper scales

Part Number/Price

Part #	Description	Price
91779	JB4ES excitation trim junction box	\$275.00
89446	Board only	\$170.00
165271	Enclosure only (includes cord grips and filter)	\$150.00

Note: Do not mix junction box models or use other brands of junction boxes with Rice Lake junction boxes. There is a risk of system instability.



JB4SP and JB4SPT

TuffSeal® Signal Trim Junction Box



Approvals



Specifications

Cable Fittings:

- (4) PG7 0.118-0.255 strain relief
- (2) PG11 0.197-0.394 strain relief
- (1) PreVent™ breather vent

Enclosure:

Molded FRP (NEMA Type 4X) enclosure with overlapping solid cover, stainless steel screws

Temperature:

Operating Range: 0°F to 122°F (-18°C to 50°C)

Connectors:

Spring clamp screwless, 12-28 AWG

Trimming:

Individual cell, signal trim

Potentiometers:

100,000 ohm, 25-turn cermet

Circuit Board:

3.8 in x 2.3 in, with conformal coating

Warranty:

One-year limited warranty

Standard Features

- Fiberglass Reinforced Polyester (FRP), NEMA Type 4X enclosure with stainless steel cover screws
- Jumpers to enable/disable a load cell
- PreVent™ breather vent
- Conformal coated circuit board
- Number of cells: Two, three or four single cells
- Expansion port

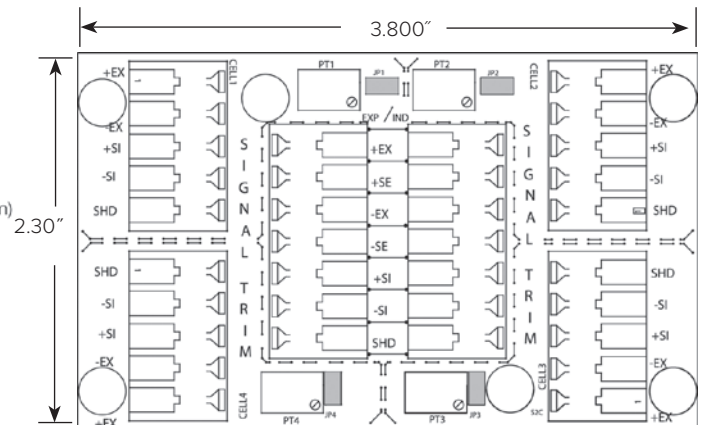
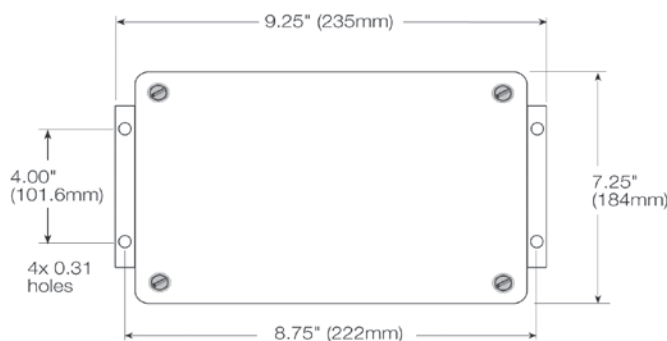
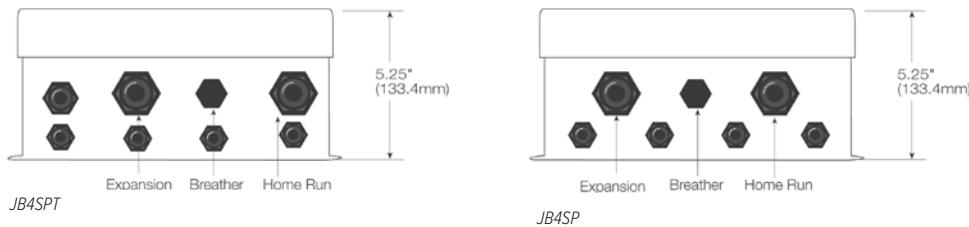
Applications

- Tank and hopper scales

Part Number/Price

Part #	Description	Price
91780	JB4SP signal trim four-channel with expansion	\$285.00
92762	JB4SPT signal trim with transient protection (not FM approved)	\$475.00
88958	Board only	\$175.00
89894	Transient board	\$235.00
165272	Enclosure only (does not include cord grips and filter)	\$145.00

Note: Do not mix junction box models or use other brands of junction boxes with Rice Lake junction boxes. There is a risk of system instability.



JB4EP and JB4EPT

TuffSeal® Excitation Trim Junction Box

Specifications

Cable Fittings:

- (4) PG7 0.118-0.255 strain relief
- (2) PG11 0.197-0.394 strain relief
- (1) PreVent™ breather vent

Enclosure:

Molded FRP (NEMA Type 4X) enclosure with overlapping solid cover, stainless steel screws

Temperature:

Operating Range: 0°F to 122°F (-18°C to 50°C)

Connectors:

Spring clamp screwless, 12-28 AWG

Trimming:

Individual cell, excitation trim

Potentiometers:

100 ohm, 25-turn cermet

Circuit Board:

3.8 in x 2.3 in, with conformal coating

Warranty:

One-year limited warranty

Approvals



PN 92763
Not FM approved



Photo of JB4EP

Standard Features

- Fiberglass Reinforced Polyester (FRP), NEMA Type 4X enclosure with stainless steel cover screws
- Jumpers to enable/disable a load cell
- PreVent™ breather vent
- Conformal coated circuit board
- Number of cells: Two, three or four single cells
- Expansion port

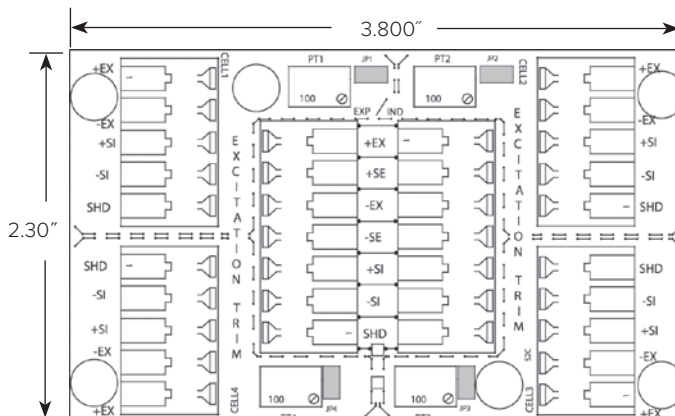
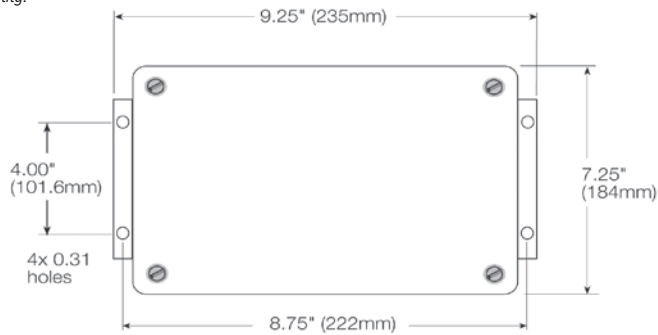
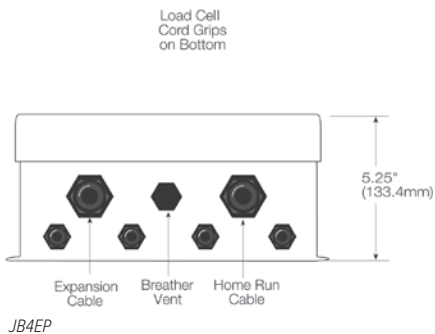
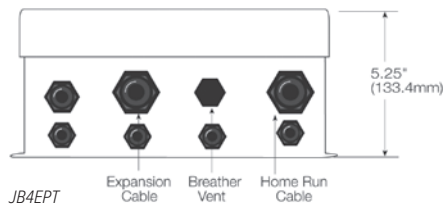
Applications

- Tank and hopper scales

Part Number/Price

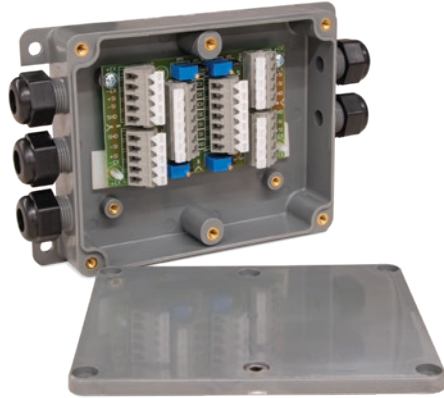
Part #	Description	Price
91781	JB4EP excitation trim junction box	\$285.00
92763	JB4EPT excitation trim junction box with transient protection (not FM approved)	\$475.00
89446	Board only	\$170.00
89894	Transient board	\$235.00
165272	Enclosure only (does not include cord grips or filter)	\$145.00

Note: Do not mix junction box models or use other brands of junction boxes with Rice Lake junction boxes. There is a risk of system instability.



EL204

Signal Trim Junction Box



Standard Features

- ABS enclosure with molded-in cable fittings
- Premium screw terminals
- Number of cells: Two, three or four single cells

Applications

- Floor, hopper, tank or livestock applications

Part Number/Price

Part #	Description	Price
73428	EL204 junction box	\$210.00
88958	Board only	\$175.00

Note: Do not mix junction box models or use other brands of junction boxes with Rice Lake junction boxes. There is a risk of system instability.

Specifications

Cable Fittings:

Five watertight nylon compression fittings, 0.210 in x 0.280 in (5.3 mm x 7.1 mm)

Connectors:

Spring clamp screwless, 12-28 AWG

Temperature:

Operating Range: 0°F to 122°F (-18°C to 50°C)

Trimming:

Individual cell trim, signal trim

Potentiometers:

100,000 ohm, 25-turn cermet

Enclosure:

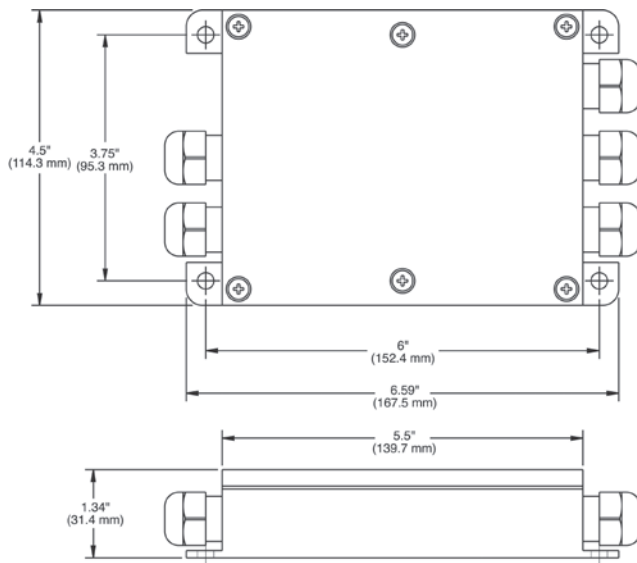
ABS with molded through-fittings, sealed six-screw lid

Circuit Board:

3.8 in x 2.3 in, with conformal coating

Warranty:

One-year limited warranty



Specifications

Cable Fittings:

Five nylon 0.187 in-0.312 in (4.7 mm-7.9 mm) cable strain reliefs

Connectors:

Electrovert 0.197 in (5.0 mm) miniature two piece connectors. Maximum wire size # 14 AWG, connectors are removable for easy wiring.

Trimming:

Individual cell trim, signal trim

Potentiometers:

100,000 ohm, 25-turn cermet

Temperature:

Operating Range: 0°F to 122°F (-18°C to 50°C)

Enclosure:

Stainless steel NEMA Type 4X, 40 PSI washdown

Circuit Board:

6.5 in x 1.5 in, with anti-fungal coating



Standard Features

- Stainless steel, NEMA Type 4X enclosure
- Strain relief cable fittings
- Removable connectors for easy wiring
- Number of cells: Two or four single cells (even number of cells only)
- Any unused channels require modification

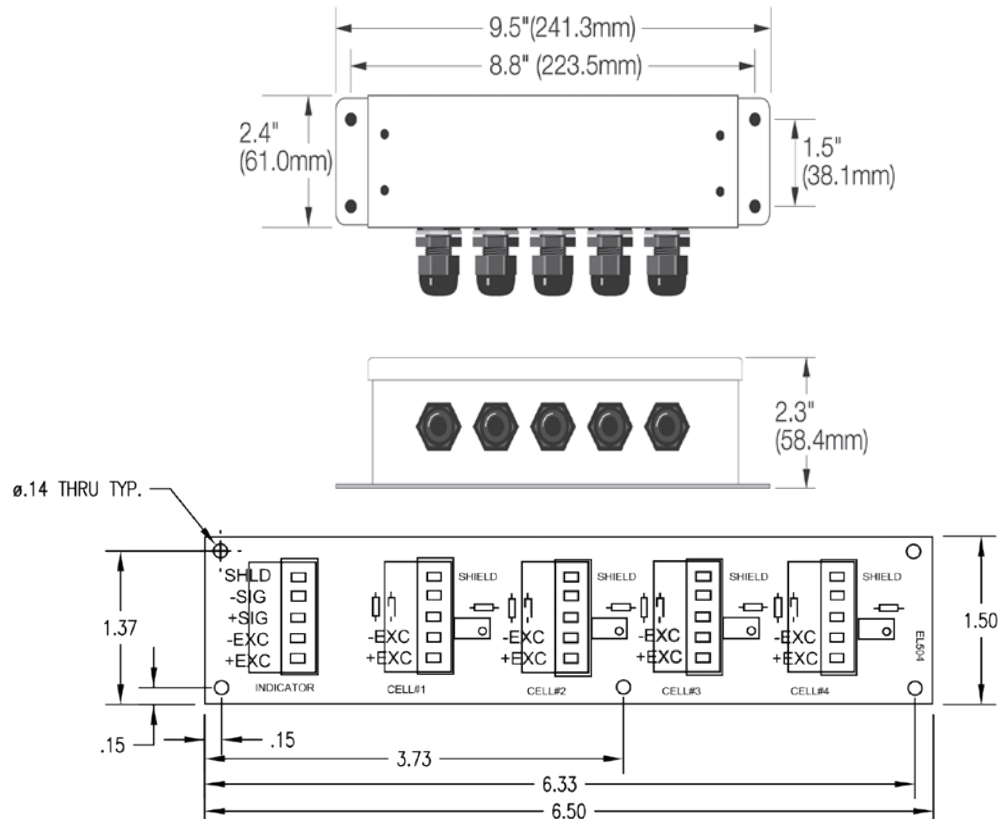
Applications

- Truck and floor scales
- Limited space installations

Part Number/Price

Part #	Description	Price
21165	EL504 signal trim junction box	\$395.00
21296	Board only	\$275.00
165274	Enclosure only	\$175.00

Note: Do not mix junction box models or use other brands of junction boxes with Rice Lake junction boxes. There is a risk of system instability.



JB8SP

TuffSeal® Signal Trim Junction Box



Approvals



Specifications

Cable Fittings:

- (9) 3/8 in NPT 0.157 in-0.314 in
- (2) 1/2 in NPT 0.272 in-0.472 in
- (1) PreVent™ breather vent

Enclosure:

Molded FRP (NEMA Type 4X) enclosure with overlapping solid cover, stainless steel screws

Connectors:

Pluggable screw type, 12-28 AWG

Trimming:

Individual cell trim, range

Potentiometers:

100,000 ohm, 25 turn cermet

Temperature:

Operating Range: 0°F to 122°F (-18°C to 50°C)

Circuit Board:

5.7 in x 7.2 in with conformal coating

Warranty:

One-year warranty

Standard Features

- Fiberglass Reinforced Polyester (FRP), NEMA Type 4X enclosure
- PreVent™ breather vent
- Conformal coated circuit board
- Removable load cell connectors
- Section and individual cell trim capability
- Number of cells: Two, four, six or eight single load cells (even number of cells only)
- Expansion port

Applications

- Truck, livestock and railroad scales

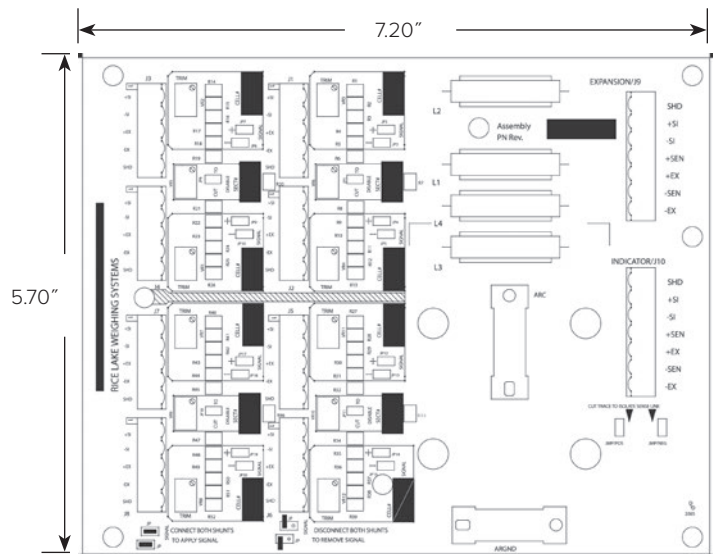
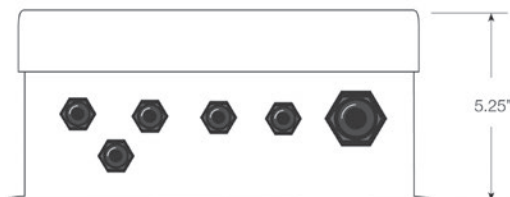
Part Number/Price

Part #	Description	Price
91782	JB8SP signal trim eight-channel with expansion	\$465.00
173807	JB8SP signal trim eight-channel with expansion, FM approved	\$495.00
89889	Board only	\$395.00
172415	Board only, FM approved	\$415.00
165273	Enclosure only (does not include cord grips and filter)	\$165.00

Note: Do not mix junction box models or use other brands of junction boxes with Rice Lake junction boxes. There is a risk of system instability.

Options/Accessories

Part #	Description	Price
92734	Coupling, 1/2 in NPT cord grip to 3/4 in NPT conduit fitting	\$27.00
92735	Coupling, 3/8 in NPT cord grip to 3/4 in NPT conduit fitting	\$27.00



JB8SPT

TuffSeal® Signal Trim Junction Box

Specifications

Cable Fittings:

- (9) 3/8 in NPT 0.157 in-0.314 in
- (2) 1/2 in NPT 0.272 in-0.472 in
- (1) PreVent™ breather vent

Enclosure:

Molded FRP (NEMA Type 4X) enclosure with overlapping solid cover, stainless steel screws

Connectors:

Pluggable screw type, 12-28 AWG

Trimming:

Individual cell trim

Potentiometers:

100,000 ohm, 25-turn cermet

Temperature:

Operating Range: 0°F to 122°F (-18°C to 50°C)

Circuit Board:

5.7 in x 7.2 in with conformal coating

Warranty:

One-year warranty



Standard Features

- Transient Protection
- Fiberglass Reinforced Polyester (FRP), NEMA Type 4X enclosure
- PreVent™ breather vent
- Conformal coated circuit board
- Removable load cell connectors
- Section and individual cell trim capability
- Field replaceable transient protection
- One coupling, 0.5 in NPT cord grip to 0.75 in NPT conduit fitting for homerun cable
- Number of cells: Two, four, six or eight single load cells (even number of cells only)
- Expansion port

Applications

- Truck, livestock and railroad scales

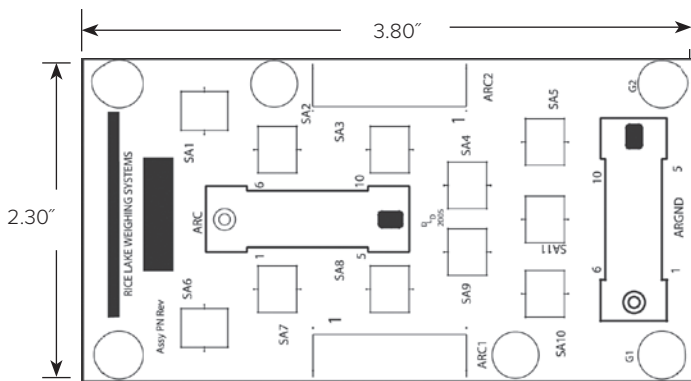
Part Number/Price

Part #	Description	Price
91783	JB8SPT signal trim junction box with transient protection	\$665.00
89889	Board only	\$395.00
89894	Transient board	\$235.00
165273	Enclosure only (does not include cord grips and filter)	\$165.00

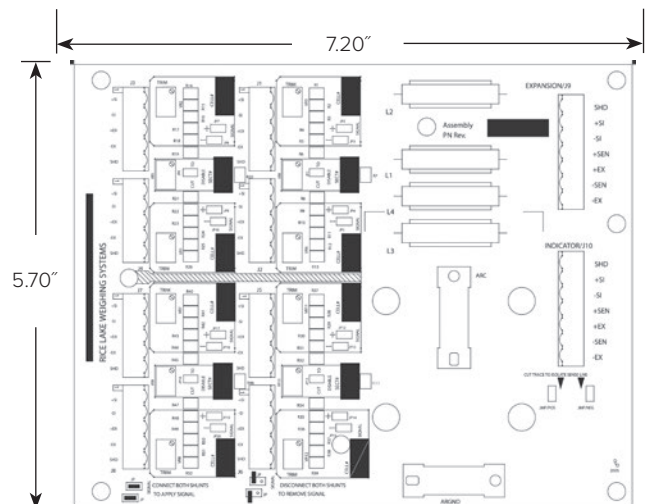
Note: Do not mix junction box models or use other brands of junction boxes with Rice Lake junction boxes. There is a risk of system instability.

Options/Accessories

Part #	Description	Price
92734	Coupling, 1/2 in NPT cord grip to 3/4 in NPT conduit fitting	\$27.00
92735	Coupling, 3/8 in NPT cord grip to 3/4 in NPT conduit fitting	\$27.00



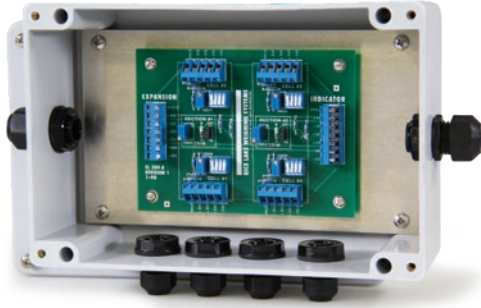
Transient Board



Load Cell Board

EL304A

Signal Trim Junction Box



Specifications

Cable Fittings:

Four nylon cable strain reliefs 0.079-0.236 in (2.0-6.0 mm)
Two nylon cable strain reliefs 0.236-0.354 in (6.0-9.0 mm)

Connectors:

Electrovert 0.197 in (5.0 mm) miniature screw terminals. Maximum wire size # 14 AWG

Trimming:

Individual cell and section, signal trim

Potentiometers:

100,000 ohm, 25-turn cermet

Enclosure:

FRP NEMA Type 4X, 40 PSI washdown

Standard Features

- Fiberglass Reinforced Polyester (FRP), NEMA Type 4X enclosure
- Strain relief cable fittings
- Individual cell signal disconnect switches
- Number of cells: Two or four single cells (even number of cells only)
- Corner and/or section trim applications
- Expansion port

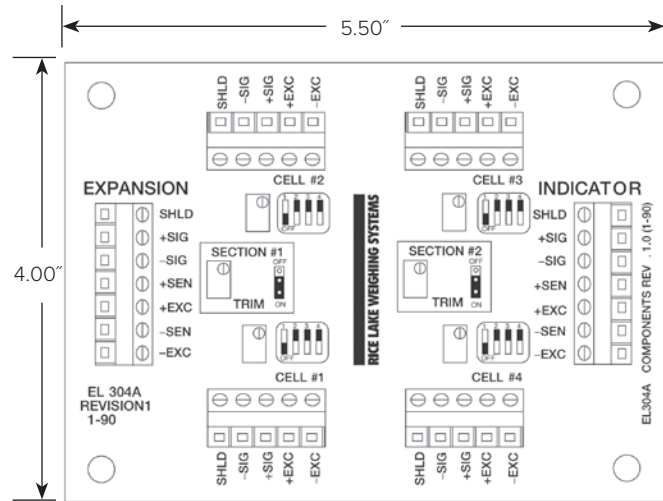
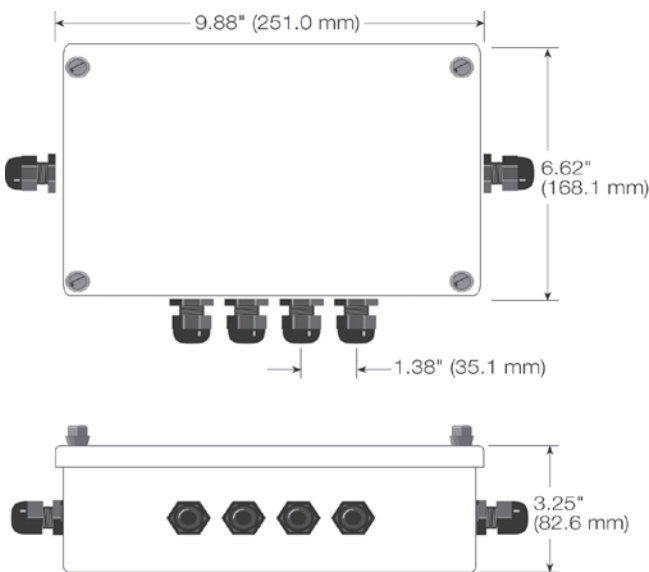
Applications

- Livestock scales
- Tank and vessel weighing

Part Number/Price

Part #	Description	Price
21169	EL304A signal trim four-channel junction box	\$325.00
21301	Board only	\$235.00
165275	Enclosure only (includes cord grips)	\$180.00

Note: Do not mix junction box models or use other brands of junction boxes with Rice Lake junction boxes. There is a risk of system instability.



Specifications

Mounting Centers:

3.75 in x 2.31 in (95.2 mm x 58.7 mm)

Cable Fittings:

Nylon waterproof strain-relief type

Temperature:

Operating Range: 0°F to 122°F (-18°C to 50°C)

Cable Diameter:

0.079-0.314 in

Potentiometers:

100,000 ohm, 25-turns cermet

Trimming:

Individual cell and section signal and excitation trimming

Terminal Block:

Rated 300V/15A; 7-position screw terminal can each accommodate up to #16 AWG

Warranty:

One-year limited warranty



Standard Features

- Transient protection
- Fiberglass Reinforced Polyester (FRP), NEMA Type 4X enclosure
- Signal or excitation trim
- Front panel mounting
- Strain relief cable fittings
- Number of cells: 1 through 10
- Trims odd numbers of cells without modification

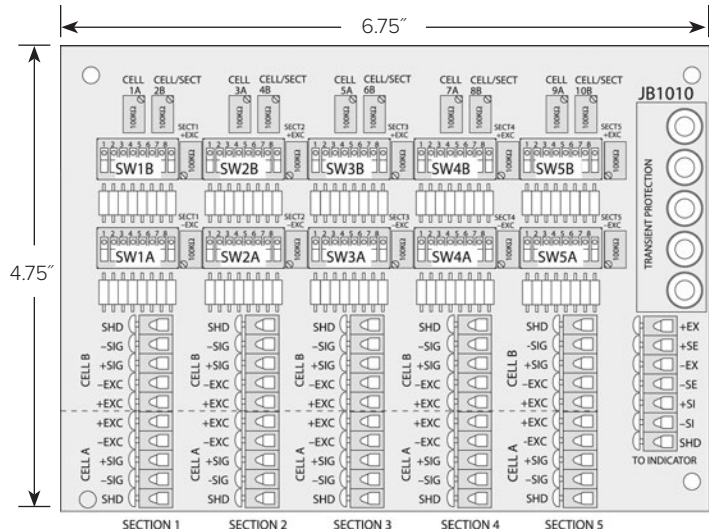
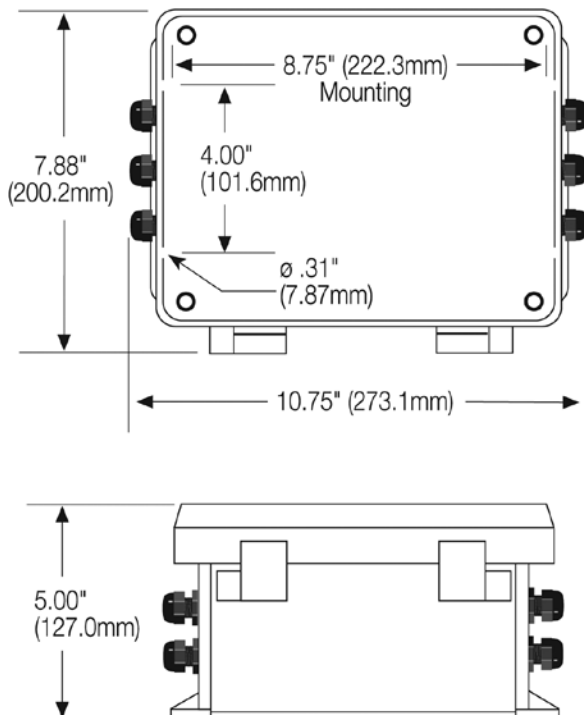
Applications

- Tank, truck, railroad, hopper and floor scales
- Universal field replacement of existing boxes
- Expansion of existing scales

Part Number/Price

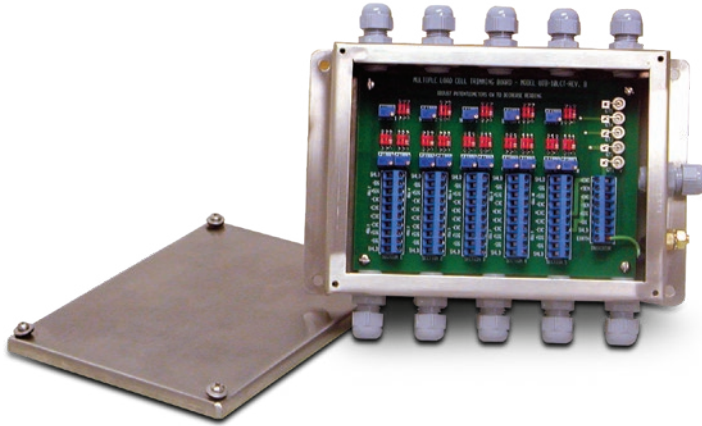
Part #	Description	Price
36231	JB1010 signal/excitation trim junction box	\$685.00
36351	Board only	\$475.00
165276	Enclosure only (includes cord grips)	\$275.00

Note: Do not mix junction box models or use other brands of junction boxes with Rice Lake junction boxes. There is a risk of system instability.



JB1010ST

Signal Trim Junction Box



Specifications

Cable Fittings:

11 nylon cable strain reliefs for cable dimension range: 0.079-0.314 in

Connectors:

Electrovert 0.197 miniature screw terminals, Five positions
Maximum wire size: # 14 AWG
External enclosure ground stud

Trimming:

Individual cell and section signal trim

Potentiometers:

100,000 ohm, 25-turn cerment, individual trim
100 ohm potentiometers for section trimming

Enclosure:

Stainless steel

Temperature:

Operating Range: 0°F to 122°F (-18°C to 50°C)

Circuit Board:

6.5 in x 4.5 in

Warranty:

One-year limited warranty

Standard Features

- Transient protection using gas discharge tubes
- Stainless steel, NEMA Type 4X enclosure
- Section and individual cell trim capability
- Compact enclosure only 1.75 in deep
- Strain relief cable fitting
- Number of cells: Two, four, six, eight or 10 single load cells
- Any unused channels require modification
- Legal for Trade sealing screws, wire and seal included

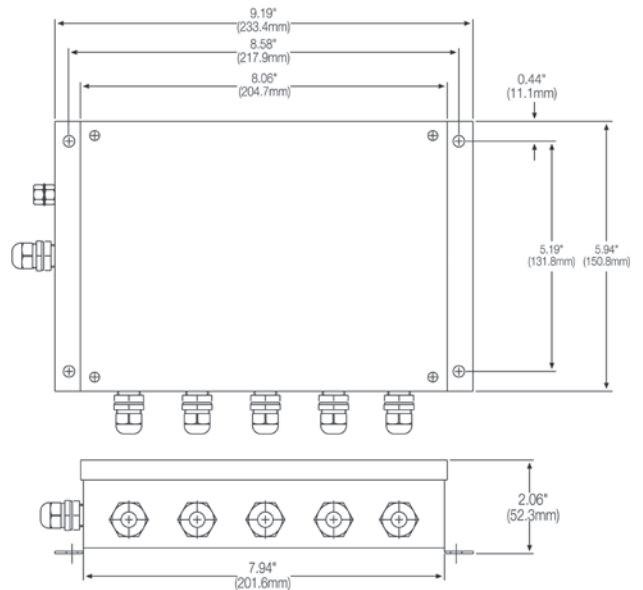
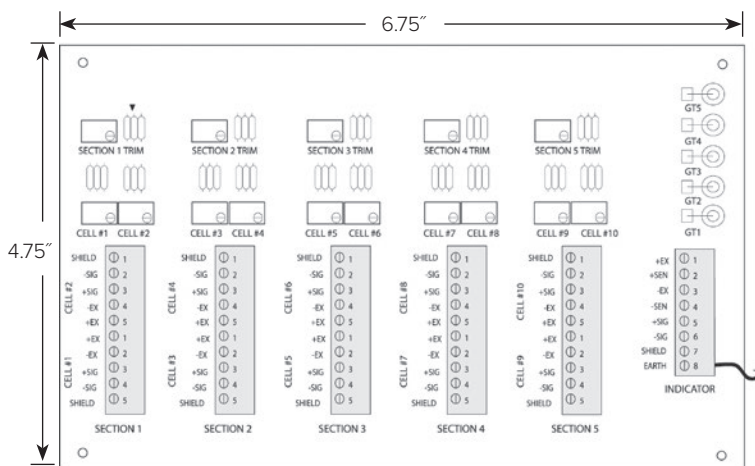
Applications

- Tank, truck and railroad scales
- Summing 10 load cells with individual and section trimming capability

Part Number/Price

Part #	Description	Price
68813	JB 1010ST signal trim junction box	\$615.00
68811	Board only	\$465.00
165277	Enclosure only (includes cord grips)	\$485.00

Note: Do not mix junction box models or use other brands of junction boxes with Rice Lake junction boxes. There is a risk of system instability.



Replacement Junction Boxes, Boards or Components

Model	Complete J-Box Replacement	Replacement Board Only	Replacement Cord Grips	Replacement Pressure & Condensation Vent	Desiccant Pack
JB4SS	88956 \$275.00	88958 \$175.00	58983 =PG7, \$5.00 59001 =PG11 \$3.70	88733 PreVent™ breather (vent) \$22.00 88734 (vent nut) \$1.05	92240 \$1.17
JB4ES	91779 \$275.00	89446 \$170.00	58983 =PG7, \$5.00 59001 =PG11 \$3.70	88733 PreVent™ breather (vent) \$22.00 88734 (vent nut) \$1.05	92240 \$1.17
JB4SP JB4SPT	91780 \$285.00 92762 \$475.00	88958 (load cell) \$175.00 & 89894 (transient protection) \$235.00	58983 =PG7, \$5.00 59001 =PG11 \$3.70	88733 PreVent™ breather (vent) \$22.00 88734 (vent nut) \$1.05	16039 \$2.23
JB4EP JB4EPT	91781 \$285.00 92763 \$475.00	89446 (load cell) \$170.00 & 89894 (transient protection) \$235.00	58983 =PG7, \$5.00 59001 =PG11 \$3.70	88733 PreVent™ breather (vent) \$22.00 88734 (vent nut) \$1.05	16039 \$2.23
EL204	73428 \$210.00	88958 \$175.00	N/A	N/A	N/A
JB8SP	91782 \$465.00 173807 FM approved \$495.00	89889 \$395.00 172415 FM approved \$415.00	15655 (cord grip) \$2.10 & 15656 (nut) \$1.05 =3/8" NPT 15628 (cord grip) \$5.00 & 15630 (nut) \$3.00 =1/2" NPT	88733 PreVent™ breather (vent) \$22.00 88734 (vent nut) \$1.05	16039 \$2.23
JB8SPT	91783 \$665.00	89889 (load cell) \$395.00 & 89894 (transient protection) \$235.00	15655 (cord grip) \$2.10 & 15656 (nut) \$1.05 =3/8" NPT 15628 (cord grip) \$5.00 & 15630 (nut) \$3.00 =1/2" NPT	88733 PreVent™ breather (vent) \$22.00 88734 (vent nut) \$1.05	16039 \$2.23
EL304A	21169 \$325.00	21301 \$235.00	N/A	N/A	N/A
JB1010	36231 \$685.00	36351 \$475.00	N/A	N/A	N/A
JB1010ST	68813 \$615.00	68811 \$465.00	N/A	N/A	N/A
EL210	91781 , JB4EP* \$285.00	92472 \$155.00	58983 =PG7, \$5.00 59001 =PG11 \$3.70	N/A	N/A
EL211A	91780 , JB4SP* \$285.00 (However the board does not have section trim capabilities)	92473 , \$160.00 (However the board does not have section trim capabilities)	58983 =PG7, \$5.00 59001 =PG11 \$3.70	N/A	N/A
EL604-AL	88956 , JB4SS* \$275.00	88958 \$175.00	58983 =PG7, \$5.00 59001 =PG11 \$3.70	N/A	N/A
EL604STA	88956 , JB4SS* \$275.00	88958 \$175.00	58983 =PG7, \$5.00 59001 =PG11 \$3.70	N/A	N/A
EL604ETA	91779 , JB4ES* \$275.00	89446 \$170.00	58983 =PG7, \$5.00 59001 =PG11 \$3.70	N/A	N/A
EL504	21165 \$395.00	21296 \$275.00	N/A	N/A	N/A
JB808S	91782 , JB8SP* \$465.00	92471 \$385.00	15655 (cord grip) \$2.10 & 15656 (nut) \$1.05 =3/8" NPT 15628 (cord grip) \$5.00 & 15630 (nut) \$3.00 =1/2" NPT	N/A	N/A
JB818ST	91783 , JB8SPT* \$665.00	Need (!) 77445 \$55.00 (!) 89889 \$395.00, & (!) 89894 \$235.00	15655 (cord grip) \$2.10 & 15656 (nut) \$1.05 =3/8" NPT 15628 (cord grip) \$5.00 & 15630 (nut) \$3.00 =1/2" NPT	N/A	N/A

*See catalog pages for enclosure dimensions

iQUBE²®

Digital Diagnostic Junction Box



APPROVALS



Specifications

Enclosure:

Stainless steel or Fiberglass Reinforced Polyester (FRP), NEMA Type 4X enclosure

Voltage Input:

115/230 V AC power supply DC/DC converter for 9-36V
6-12 V DC to CPU

Load Cell Inputs:

Four channels per board up to four networked boards

A/D Sampling Rate:

2.5-500 Hz (selectable)

Temperature Range:

Certified: 14°F to 104°F (-10°C to 40°C)
Operating: -13°F to 140°F (-25°C to 60°C)
Storage: 14°F to 158°F (-25°C to 70°C)

Analog signal sensitivity:

0.3 uV/grad at 30 Hz
0.5 uV/grad at 100 Hz
1.2 uV/grad at 500 Hz

Load Cell Excitation:

5 V DC, 57 mA maximum per channel

Analog range:

-4.5 mV/V to 4.5 mV/V

Approvals:

NTEP 03-032A1
Measurement Canada - AM-5561, Rev. 1
UL E151461
CE

Warranty:

Two-year limited warranty

Standard Features

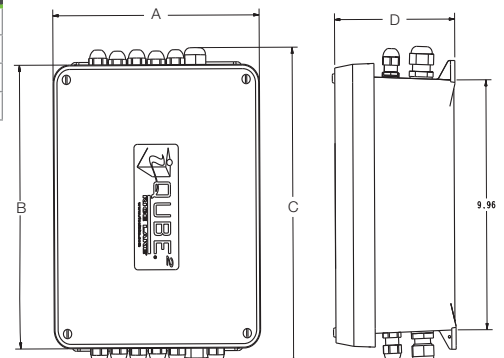
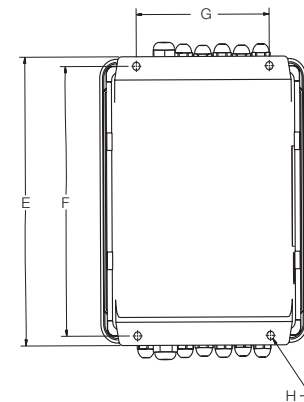
- iQUBE²® board has four A/D channels
- Stainless steel or Fiberglass Reinforced Polyester (FRP), NEMA Type 4X enclosure
- Supports networking up to four boards, for 16 A/D channels; connection can be up to four separate platforms with a system total, or four separate scale systems
- Diagnostic routines for weighing errors and system health
- Cell tests for overloaded, underloaded, zero reference, drift, noise and unbalanced conditions
- Onboard status LEDs for communication and visual bi-color indication of cell health
- Cell emulator compensates for load cell failure until a repair can be made
- Cal-Match[®] algorithm automatically trims and calibrates the scale in one pass of test weights (stopping over each mount)
- Standard communication RS-232/RS-422
- Option card slot for fiber-optic, Ethernet TCP/IP, wireless TCP/IP, USB or RS-232/485
- Four digital I/O per card, for push-button operation, setpoint control or cell status
- Communicates to 920i[®], 1280, VIRTUI²® using ASCII serial commands

Applications

- Truck and railroad scales
- Tank and hopper scales
- Multi-channel scales

Dimensions

Stainless Steel 8 in x 10 in			
A	8.91 in (226.3 mm)	E	11.50 in (292.1 mm)
B	10.13 in (257.3 mm)	F	10.75 in (268.5 mm)
C	12.57 in (319.3 mm)	G	6.00 in (152.4 mm)
D	4.29 in (109 mm)	H	0.312 in (7.9 mm)
FRP Large 10 in x 12 in			
A	11.30 in (287 mm)	E	13.53 in (343.7 mm)
B	13.33 in (338.6 mm)	F	12.76 in (324.1 mm)
C	14.00 in (355.6 mm)	G	8.00 in (203.2 mm)
D	5.57 in (141.5 mm)	H	0.312 in (7.9 mm)
FRP Small 8 in x 10 in			
A	9.31 in (236.5 mm)	E	11.51 in (287.2 mm)
B	11.31 in (287.2 mm)	F	10.75 in (273.1 mm)
C	12.85 in (326.4 mm)	G	6.00 in (152.4 mm)
D	5.42 in (137.7 mm)	H	0.312 in (7.9 mm)



Part Number/Price

Part #	Description	Est. Weight	Price
With AC Power Supply			
108425*	iQUBE2, four-channel, FRP 8 in x 10 in junction box	9 lb	\$1,200.00
108426	iQUBE2, four-channel, FRP 10 in x 12 in junction box	11 lb	\$1,400.00
108427	iQUBE2, eight-channel, FRP 10 in x 12 in junction box	11 lb	\$2,300.00
108428*	iQUBE2, four-channel, stainless steel 8 in x 10 in junction box	13 lb	\$2,250.00
Without Power Supply			
108429*	iQUBE2, four-channel, FRP 8 in x 10 in junction box	8 lb	\$1,100.00
108430	iQUBE2, four-channel, FRP 10 in x 12 in junction box	10 lb	\$1,350.00
108431	iQUBE2, eight-channel, FRP 10 in x 12 in junction box	10 lb	\$2,200.00
108432*	iQUBE2, four-channel, stainless steel 8 in x 10 in junction box	12 lb	\$2,250.00
Conduit Adaptors			
92734	Conduit adaptor 3/8 in NTP to 3/4 in NPT		\$27.00
92735	Conduit adaptor 1/2 in NTP to 3/4 in NPT		\$27.00

* Enclosure size 8in x 10in required for truck scale junction box pocket

Note: Do not mix junction box models or use other brands of junction boxes with Rice Lake junction boxes. There is a risk of system instability.

Options/Accessories

Part #	Description	Price
108433	Four-channel iQUBE2 board with cables and connectors	\$900.00
97475	DC/DC power supply, 9-36 VDC (requires factory installation)	\$225.00
108434	Remote power supply 115/230 VAC and transient board with enclosure	\$350.00
109396	Transient board	\$65.00
110949	Transient board with mount	\$80.00
161954	Hotspot in FRP enclosure	\$3,175.00
Communication Card		
108579	RS-232/RS-485 port	\$260.00
77142	Ethernet TCP/IP	\$420.00
108671	Wireless LAN 802.11 B/G	\$570.00
93245	USB port	\$185.00
77143	Fiber-optic board	\$200.00
77788	Fiber-optic board (installed in 920i)	\$200.00
Duplex Fiber (Max Run 350 ft)		
78026	Fiber-optic cable, 100 ft	\$175.00
78027	Fiber-optic cable, 200 ft	\$328.00
78910	Fiber-optic cable, custom length	\$1.75/ft
Home Run Cable		
116587	EL166 16 gauge, six conductor, shielded	\$2.65/ft
Software		
108436	Virtui2 activation part number	\$500.00
112262	Firmware update flash cable	\$50.00
920i® Indicators for use with iQUBE2, requires version 4 software		
77790	920i universal, 115 VAC, without A/D	\$2,325.00
77791	920i universal, 230 VAC, without A/D	\$2,325.00
93243	920i deep universal, 115 VAC, without A/D	\$2,525.00
93244	920i deep universal, 230 VAC, without A/D	\$2,525.00
77792	920i panel mount, 115 VAC, without A/D	\$2,325.00
77793	920i panel mount, 230 VAC, without A/D	\$2,325.00
77794	920i wall mount, 115 VAC, without A/D	\$2,975.00
77795	920i wall mount, 230 VAC, without A/D	\$2,975.00



Sample Configurations*

*Not an actual system—illustrates connectivity

iQUBE²®

Digital Diagnostic Junction Box

JUNCTION BOXES/SIMULATORS

Options/Accessories

Part #	Description	Price
1280 Indicators for use with iQUBE2		
189623	1280 7in touch-only, AC power supply, no power cord, standard display, without A/D	\$2,880.00
188526	1280 7in touch-only, AC power supply, no power cord, high visibility display, without A/D	\$2,980.00
188395	1280 12in touch-only, AC power supply, no power cord, high visibility display, without A/D	\$3,605.00
181073	1280 panel mount, DC power supply, no power cord, standard display, without A/D	\$2,880.00
178473	1280 panel mount, AC power supply, no power cord, high visibility display, without A/D	\$2,980.00
205677	1280 wall mount, AC power supply, U.S. power cord, standard display, without A/D	\$3,480.00
171667	1280 wall mount, AC power supply, U.S. power cord, high visibility display, without A/D	\$3,580.00
174750	1280 panel mount, AC power supply, no power cord, standard display, without A/D	\$2,880.00
174207	1280 universal, AC power supply, Europe power cord, standard display, without A/D	\$3,080.00
171582	1280 universal, AC power supply, U.S. power cord, standard display, without A/D	\$3,080.00
188713	1280 universal, DC power supply, no power cord, standard display, without A/D	\$3,080.00
171540	1280 universal, DC power supply, no power cord, high visibility display, without A/D	\$3,180.00
172419	1280 universal, AC power supply, U.S. power cord, high visibility display, without A/D	\$3,180.00

www.ricelake.com | Phone: 800-472-6703

RICE LAKE

EL168

1-Cell Junction Box

Specifications

Dimensions:

(W x L x D) 4 in x 4 in x 2.5 in

Mounting Centers:

3.75 in x 2.31 in (95.2 mm x 58.7 mm)

Temperature:

Operating Range: 0°F to 122°F (-18°C to 50°C)

Cable Fittings:

Nylon waterproof strain-relief type

Cable Diameter:

0.079 in-0.314 in (2.0 mm-8.0 mm)

Terminal Block:

Rated 300 V/15 A; seven-position, screw terminal can each accommodate up to # 16 AWG

Warranty:

One-year limited warranty



Standard Features

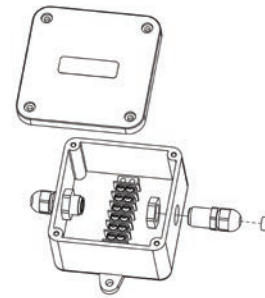
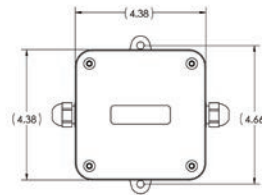
- Non-metallic PVC enclosure with separate input and output cable fittings
- No soldering, compression or swaged fittings are required

Applications

- For splicing or extending load cell cable

Part Number/Price

Part #	Description	Price
21161	EL168 one-cell junction box	\$80.00



Specifications

Protection Type:

Six-wire type with separate shield

Maximum Excitation Voltage:

22.8 VDC

Response Time:

Five nanoseconds

Peak Surge Currents:

100 amps

Series Resistance:

0.0 ohm

Series Inductance:

0.0 μh

Grounding:

10 AWG wire or larger (not provided)

Cable Fitting:

(2) nylon strain relief for 0.187-0.312 in diameter cable

Enclosure:

Impact-resistant polycarbonate NEMA Type 4X, maximum 40 psi washdown

Operating Temperature:

4°F to 121°F (-20°C to 85°C)

Circuit Board Dimensions:

2.22 x 2.22 in

Dimensions:

(W x H x D) 4.38 x 3.15 X 3.38

Warranty:

One-year limited warranty

Standard Features

- Avalanche diode design
- Full six-wire with shield protection
- NEMA Type 4X enclosure
- Unlimited number of parallel load cells; up to eight in series
- Terminal lugs provided

Applications

- Protects load cells and indicators from voltage transients
- Tank, bin and hopper scales
- Truck and railroad scales
- Suitable for outdoor use

Part Number/Price

Part #	Description	Price
33185	TP75 DC transient protection	\$335.00

Options/Accessories

Part #	Description	Price
31164	Circuit board only	\$260.00



TP75 DC

Transient Protection

UJB3T6 DC

Transient Protection



Standard Features

- Factory serviceable
- Full six-wire with shield protection
- #6 SEMS screw type; accepts spade lugs, tinned leads or bare wires up to #12 AWG
- Up to eight parallel or summed load cells
- 50K baud maximum transmission frequency

Applications

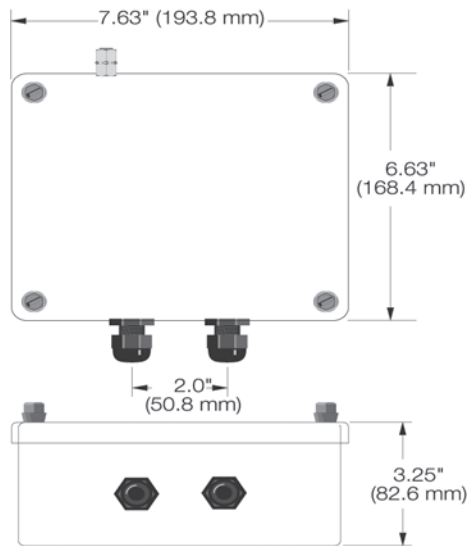
- Protects load cells from voltage transients
- Compatible with signals down to 1 μ V per grad
- Installations exposed to significant transients
- Protects serial communication lines

Part Number/Price

Part #	Description	Price
21134	UJB3T6	\$465.00

Options/Accessories

Part #	Description	Price
21135	Six-wire load cell transient protector, board only	\$285.00



Specifications

- Protection Type:**
Six-channel type with separate shield
- Maximum Excitation Voltage:**
20 VDC or 20 VAC
- Clamping Voltage:**
75 VDC or 75 VAC
- Clamping Time:**
75 VDC Stages <100 nanoseconds typical
- Peak Surge Currents:**
75 VDC Stage-5000 amperes
- Maximum Serial Transmission Rate:**
50K baud
- Series resistance:**
0.219 ohm typical
- Series inductance:**
110 μ H typical
- Grounding:**
20 ft insulated # 10 AWG wire
- Cable Fitting:**
Two nylon strain relief for 0.079-0.236 in diameter cable
- Enclosure:**
Fiberglass-Reinforced Polyester (FRP) NEMA Type 4X, maximum 40 psi washdown
- Operating Temperature:**
14°F to 104°F (-10°C to 40°C)
- Circuit Board:**
6.75 x 4.75 in with anti-fungal coating
- Dimensions:**
7.63 W x 6.63 H x 3.25 in D
- Warranty:**
One-year limited warranty

TP232 RS-232

High Energy Serial Protection



Specifications

Clamping Voltage (Stage One):
72 V DC minimum, 108 V DC maximum

Series Resistance (Stage Two):
2.7 ohm

Clamping Voltage (Stage Three):
14.3 V minimum, 15.7 V maximum

Temperature:
Operating Range: 0°F to 122°F (-18°C to 50°C)

Clamping Time:
Less than 5 x 10-9 seconds

Connectors:
Five-position terminal blocks

Dimensions:
Approximately 4.5 L x 3.3 W x 1.8 in H

Weight:
Approximately 0.42 lb

Approvals:
CE Marked

Warranty:
One-year limited warranty

Standard Features

- Two metal mounting brackets
- Three stages of protection: Gas discharge tube, series resistor and transient voltage suppressor (TVS)
- Two terminal posts for ground
- RS-232 high energy surge protector
- Terminal blocks for transmit, receive, request to send, clear to send and signal ground
- Safe for use with computers and PLCs

APPROVALS



Applications

- Indicators
- Remote displays
- Printers
- Computers
- PLC

Part Number/Price

Part #	Description	Price
69201	TP232	\$187.00

Options/Accessories

Part #	Description	Price
17778	12 in ground strap	\$19.00
17781	24 in ground strap	\$21.00
69516	Additional installation manual	\$6.00

Specifications

Variable Range:
0-3 mV/V

Impedance:
700 ohm nominal

Temperature:
Operating Range: 0°F to 122°F (-18°C to 50°C)

Connectors:
Binding posts suitable for banana plug or 14 gauge wire

Temperature Coefficient:
±100 ppm/ °C

Dimensions:
(W x L x H) 4.5 in x 3.5 in x 1.25 in

Warranty:
One-year limited warranty



Ranger 1
Variable Range Simulator

Standard Features

- ABS plastic case, weighs less than 1 lb
- Large vernier knob, smooth 10-turn potentiometer
- Ideal tool for troubleshooting a scale system, bench testing stability of indicators and setpoint simulation
- Binding posts are color coded to ISA S37.8 standard

Part Number/Price

Part #	Description	Price
68029	Ranger 1 variable range simulator	\$160.00

Options/Accessories

Part #	Description	Price
21116	Cable (4 ft) with banana plugs	\$68.00

Ranger 3

Variable Range Simulator



Standard Features

- ABS plastic case, weighs less than 1 lb
- Fixed rotary switch, -0.5 mV/V to 4.5 mV/V in nine steps of 0.5mV/V per step
- Ideal tool for calibrating the indicator A-D offset and gain setting
- A/D calibration steps for -0.5 mV/V for offset and 4.5 mV/V for gain
- Used in testing, troubleshooting and calibrating digital weight indicators
- Binding posts are color coded to ISA S37.8 standard

Part Number/Price

Part #	Description	Price
68030	Ranger 3 simulator	\$385.00

Options/Accessories

Part #	Description	Price
21116	Cable with banana plugs	\$68.00

Specifications

- Range:**
-0.5 mV/V-4.5 mV/V range
- Impedance:**
350 ohm nominal
- Nonlinearity:**
Less than 0.02%
- Connectors:**
Binding posts suitable for banana plug or 14-gauge wire
- Temperature Coefficient:**
±5 ppm/ °C
- Dimensions:**
(W x L x H) 4.5 in x 3.5 in x 1.25 in
- Warranty:**
One-year limited warranty

Transducer Simulator 4



Standard Features

- Designed for high accuracy
- Sealed lid with neoprene O-ring
- Dustproof and crush tested to 500 lb
- Four operational modes include: vernier adjustment, calibrated adjustment, 0.25 mV/V offset and 0.50 mV/V offset
- Ideal for setpoint or batching simulation

Part Number/Price

Part #	Description	Price
22513	Transducer simulator 4	\$835.00

Options/Accessories

Part #	Description	Price
21116	Cable with banana plugs	\$68.00

Specifications

- Range:**
Choose any fixed setting ± 0.25 mV or 0.50 mV through a 10-turn wire-wound potentiometer with locking clutch, fixed and variable
- Maximum Voltage:**
15 V
- Linearity:**
Less than ± 0.02% full scale
- Temperature Coefficient:**
Absolute 5 ppm/°C; Tracking less than 0.5 ppm/°C
- Load Factors:**
Simulates one, two, three, four or eight 350-ohm load cells; or two, four, six, eight or 16 700-ohm load cells
- Offset:**
+0.25mV/V for use with digitally calibrated meters requiring positive dead load for calibration
- Connectors:**
Six-way binding posts, suitable for loose wires or banana jacks
- Warranty:**
One-year limited warranty

Ranger 5

Variable Range Simulator



Specifications

Fixed Steps:

-0.5 mV/V-4.5 mV/V range

Vernier:

Variable range: up to 0.5 mV/V, up to 1 mV/V, up to 1.5 mV/V

Impedance:

350 ohm nominal

Nonlinearity:

Less than 0.02%

Connectors:

Binding posts suitable for banana plug or 14 gauge wire

Temperature Coefficient:

± 5 ppm/°C

Dimensions:

(L x W x H) 4.5 in x 3.5 in x 1.25 in

Warranty:

One-year limited warranty

Standard Features

- ABS plastic case, weighs less than 1 lb
- Fixed rotary switch, -0.5 mV/V to 4.5 mV/V in nine steps of 0.5 mV/V per step
- 10-turn vernier knob with locking graduated dial
- Vernier selection of four ranges: Off, fine, medium and coarse
- Ideal tool for calibrating indicator A/D offset and gain setting
- A/D calibration steps for -0.5 mV/V for offset and 4.5 mV/V for gain
- Used in testing, troubleshooting and calibrating digital weight indicators
- Binding posts are color coded to ISA S37.8 standard

Part Number/Price

Part #	Description	Price
68031	Ranger 5 simulator	\$485.00

Options/Accessories

Part #	Description	Price
21116	Cable with banana plugs	\$68.00

Ranger 7

Variable Range Simulator



Specifications

Vernier:

Two ranges; one is equal to the sum of the 0.05 mV/V switch and the 0 mV/V-0.5 mV/V switch. The other is the sum of the 0.5 mV/V, 0.1 mV/V and 0.01 mV/V switches.

Load Impedance:

Three settings:
 X0.5= 700 ohms
 X1= 350 ohms (one standard load cell)
 X4= 87.5 ohms (four load cell platform)

Linearity:

± 0.01% + 1µV

Connectors:

Low Thermal Electronics, Type 2758 precision gold plated binding posts Standard banana jacks or 14 AWG wire

Temperature Coefficient:

5 ppm/°C

Zero Offset:

± 0.0005 mV/V

Output Range:

0 mV/V-3 mV/V in 0.01 mV/V steps

LED Annunciators:

EXC +
 EXC -
 Offset ON
 0.5 mV/V
 0.1 mV/V

Standard Features

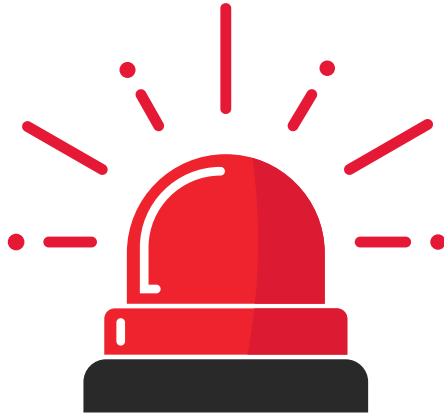
- Designed for high resolution
- Used in high precision testing, troubleshooting and calibrating digital weight indicators
- Switchable offset
- Painted die-cast enclosure

Part Number/Price

Part #	Description	Price
157323	Ranger 7 high resolution calibration simulator	\$945.00

Options/Accessories

Part #	Description	Price
21116	Cable with banana plugs	\$68.00



24/7
EMERGENCY
SUPPORT

Your service doesn't stop when the office is closed and neither does ours. **Simply call 800-472-6703 and press 1** to reach on-call personnel outside of our normal business hours for emergency support.

When you need help, rely on Rice Lake.
We look forward to answering your call.



800-472-6703
www.ricelake.com

MANUFACTURER	MODELS	EXCITATION		SIGNAL		SENSE		SHIELD	
		+	-	+	-	+	-		
ALLEGANY TECHNOLOGY	VARIOUS COLOR CODE COMBINATIONS AVAILABLE	● Green	● Black	● Red	○ White	X	X	● Bare	
ARTECH	VARIOUS COLOR CODE COMBINATIONS AVAILABLE								
COTI GLOBAL	VARIOUS COLOR CODE COMBINATIONS AVAILABLE								
BEOWULF	VARIOUS COLOR CODE COMBINATIONS AVAILABLE	● Green	● Black	○ White	● Red	X	X	● Bare	
VPG BLH	C2P1, C3P1, T2P1, T3P1	● Green	● Black	○ White	● Red	X	X	● Yellow	
CARDINAL	CB6, SCA, LFB, SB, SP DB, TSP, TB	● Green ● Red	● Black ● Black	● Red ● Green	○ White ○ White	X X	X X	● Bare ● Bare	
VPG CELTRON	PSD, SEB, LCD, CSB, DSR, DSR-HSS, LOC, SQB, SQB-HSS, STC, STC SS, LPS, STC-HSS, CLB, DLB, HTC SS, MBB, MDB, HOC HBB	● Red ● Red	● Black ● Black	● Green ● Green	○ White ○ White	X ● Brown	X ● Yellow	● Bare ● Bare	
DIGI TERAOKA	VARIOUS COLOR CODE COMBINATIONS AVAILABLE	● Red	○ White	● Green	● Yellow	● Blue	● Orange	● Bare	
DILLON	Canister Cell, Tension	● Green	○ White	● Black	● Red	X	X	● Orange	
	Compression	○ White	● Green	● Black	● Red	X	X	● Orange	
	Z-Cell	● Red	● Black	○ White	● Green	X	X	● Orange	
ELECTROSCALE	VARIOUS COLOR CODE COMBINATIONS AVAILABLE	● Red	● Black	● Green	○ White	X	X	● Bare	
FLINTEC	PC1, PC6, RC1, SB4, SB5, SB6, SB14, SLB, UB1, UB6, SB10, PB, PCB, BK2, RC3, PC3	● Green	● Black	○ White	● Red	X	X	● Yellow	
	PC2, PC7, PC4	● Green	● Black	○ White	● Red	● Blue	● Brown	● Yellow	
GSE	VARIOUS COLOR CODE COMBINATIONS AVAILABLE	● Red	● Black	○ White	● Green	X	X	● Bare	
HBM	BLC, BLF, JRT, PWS, RSC, SBF, SB3, USB, U1T, H35, THC, BBS, PWS	● Green	● Black	○ White	● Red	X	X	● Yellow	
	PLC, B35, A35, S35	● Red	● Black	● Green	○ White	X	X	● Yellow	
	SP10, PWSM	● Green	● Black	○ White	● Red	● Orange	● Blue	● Yellow	
	PW12, PW16, C16A, PW15AH, PW15, Z6, SP4, SP4M	● Blue	● Black	○ White	● Red	● Green	○ Grey	● Bare	
INTERFACE	SSM, 1200, 3200, SML, WMC Miniature	● Red ● Red	● Black ● Black	● Green ○ White	○ White ● Green	X X	X X	● Bare ● Bare	
KUBOTA	VARIOUS COLOR CODE COMBINATIONS AVAILABLE	● Red	○ White	● Green	● Blue	X	X	● Yellow	
METTLER TOLEDO	VARIOUS COLOR CODE COMBINATIONS AVAILABLE								
NATIONAL	VARIOUS COLOR CODE COMBINATIONS AVAILABLE	● Green	● Black	○ White	● Red	X	X	● Yellow	
NCI	VARIOUS COLOR CODE COMBINATIONS AVAILABLE	● Red	● Black	○ White	● Green	X	X	● Bare	
VPG REVERSE	62U, 63U, 363, 953, 9523, 9363, 92, 93, 42U, 43U, 263D, 462, 5102, 5103, 5123, 5223, 5723, 6762, 9102, 9103, 9123, 9523, 9223, 9803, 9323, 9423	● Red	● Black	● Green	○ White	X	X	● Bare	
	392B, 642, 652, 692B, BSP, HPS, HPSM, USP1	● Green	● Black	○ White	● Red	X	X	● Bare	
	792, 933, ASC, CP, CSP, SHB, SSB	● Pink	○ Grey	● Brown	○ White	X	X	● Bare	
	RLC ACB	● Green	● Black	○ White	● Red	● Yellow	● Blue	● Bare	
RICE LAKE WEIGHING SYSTEMS	RL20000I, RL20000SS, RL20000ST, RL20001, RL20001HE, RLETS, RL30000I, RL32019S-HE, RL32018, RL32018S, RL32018S-HE, RL30002, RL35023, RL35023S, RL35082, RL35083, RL39123, RL39523, RL50210, RL72020, RL72020SS, RL72020P, RL75016SS-W, RL75058-LP, RL75058S-LP, RL50210SS, RL70000, RL75016, RL75016SS, RL75040, RL75058, RL75060S, RL75223, RL90000, RLETB, RLHSS, RLMK4, RL75016WHE, RL60040SST, RLS3030, RLS1000, RL70000SS, RL71000HE, RL32218S-HE, RL32018S-P, RL50219SS, RL72019SS	● Red	● Black	● Green	○ White	X	X	● Bare	
	RLDB50000S, RL2200, RL2200SS	● Red	● Black	○ White	● Green	X	X	● Bare	
	RLMK15, RLMK21, RL72010MH	● Red	● Black	● Green	○ White	X	X	● Orange	
	RLMK1	● Red	● Black	● Green	○ White	● Yellow	● Blue	● Orange	
	RL1521A, RLFLS, RL26018A	● Green	● Black	● Red	○ White	X	X	● Bare	
	RL40BBS, RLBLC, RLSB2, RLSB2L, RLSB2M, RLSB2MLW, RLSB250, RLSB250T, RLSSB, RL9000TWM, RL9000TWM-HT, RL75114, RLSCA, RLBLP, RL32011WB-L, RL32011WB-T, RL2010, RL32018-T, RL32018S-T	● Green	● Black	○ White	● Red	X	X	● Bare	
	RL8C2P1SST, RLCSP1, RL75000SS	● Green	● Black	○ White	● Red	X	X	● Orange	
	RL1380, RL1385, RLH35, RL30745, RL70510, RL80453, RLPC6, RLPC3SS, RL1010, RL1040, RL1042, RL1140, RL1250, RL1260, RLPWM12, RLPWM16	● Green	● Black	○ White	● Red	● Blue	● Brown	● Bare	
	RLSP4	● Green	● Black	● Red	○ White	● Blue	● Brown	● Yellow	
	RLPCB-60, RLPC4SS-HE	● Green	● Black	○ White	● Red	● Blue	● Brown	● Yellow	
	RLHBB, RLHTO, RLPWM15HE, RLPWM15	● Blue	● Black	○ White	● Red	● Green	○ Grey	● Bare	
	RL9018SS	● Blue	● Black	○ White	● Red	● Green	● Yellow	● Bare	
	RL32155	○ White	● Blue	● Green	● Black	● Yellow	● Red	● Orange	
	RL42018A, RL1218A, RL260FD	● Green	● Black	● Red	○ White	● Blue	● Yellow	● Bare	
	SENSOTEC	VARIOUS COLOR CODE COMBINATIONS AVAILABLE	● Red	● Black	○ White	● Green	X	X	● Bare
	VPG SENSORTRONICS	60001, 60008, 60018, 60030, 60036, 60040, 60048, 60048SS, 60050, 60051, 60060, 60063, 65007, 65016, 65016A, 65016SS, 65016W, 65016WH, 65023A, 65023S, 65023SS, 65024, 65040A, 65040S, 65058A, 65058S, 65061A, 65083, 65083S, 65114	● Red	● Black	● Green	○ White	X	X	● Bare
		60007, 60064	● Green	● Black	○ White	● Red	X	X	● Bare
65088		● Green	● Black	○ White	● Red	X	X	● Orange	
STRAINERT	VARIOUS COLOR CODE COMBINATIONS AVAILABLE	● Red	● Black	● Green	○ White	X	X	● Bare	
VPG TEDEA-HUNTLEIGH	4158	● Red	● Black	● Green	○ White	X	X	● Bare	
	3411, 3421	● Red	● Black	● Green	○ White	● Blue	● Brown	● Bare	
	120, 240, 1010, 1015, 1040, 1042, 1140, 1142, 1250, 1260, 1320, 605, 1030, 1240, 1241, 9010, 1130, 1030, 1510, 1260S	● Green	● Black	● Red	○ White	● Blue	● Brown	● Bare	
	220, 355, 620, 3510 1263, 380, 1022	● Blue	● Black	○ White	● Red	● Green	○ Grey	● Bare	
WEIGH-TRONIX	VARIOUS COLOR CODE COMBINATIONS AVAILABLE	● Green	● Black	● Red	○ White	X	X	● Bare	

WIRING GUIDE
Available online at
ricelake.com/wireapp

Extended Business Hours
Monday through Friday from 6:30 a.m. to 6:30 p.m.
Saturday from 8:00 a.m. to 12:00 p.m. Central Time

Emergency contact information
Your service doesn't stop when the office is closed and neither does ours. Simply call 800-472-6703 and press 1 to reach on-call personnel outside of our normal business hours.



CORPORATE OFFICE
230 W. Coleman Street, Rice Lake, WI 54868 USA
USA: 800-472-6703 | Direct: 715-234-9171 | Fax: 715-234-6967
Canada and Mexico: +1-800-321-6703 | Europe: +39 0536 843418
China: +86 21 66314055 | International Direct: +1-715-234-9171