

# iDimension® Plus XL / OEM Series

Static Dimensioning System

DIMENSIONING



Shown with optional stand, conveyor not included

The iDimension Plus XL / OEM Series includes the iDimension Plus scanning head, LCD operator touchscreen display, US power supply and calibration object. This kit is designed for maximum mounting flexibility and integration into existing structures. The iDimension Plus standard 1.2 or 1.5 pole assembly are not included.

## Approvals



## iDimension Plus XL

Model	XL at 1.2 m		XL at 1.5 m		XL at 2 m	
Platform Distance	48 in (1,200 mm)		60 in (1,500 mm)		80 in (2,000 mm)	
Min/Max	Min	Max	Min	Max	Min	Max
Length	1.2 in (30 mm)	40 in (1,000 mm)	1.2 in (30 mm)	48 in (1,200 mm)	8 in (203 mm)	48 in (1,200 mm)
Width	1.2 in (30 mm)	24 in (600 mm)	1.2 in (30 mm)	32 in (800 mm)	8 in (203 mm)	32 in (800 mm)
Height	0 in (0 mm)	24 in (600 mm)	0 in (0 mm)	28 in (700 mm)	4 in (102 mm)	32 in (800 mm)
Division	0.2 in (5 mm)		0.2 in (5 mm)		0.5 in (10 mm)	

Legal for trade approved minimum and maximum measurements are available from the country specific certificate of approval.

## Part Numbers/Price

Part #	Description	Price
204601	iDimension Plus XL	Consult
204602	iDimension Plus XL 4K	Consult
XL Mounting Options		
174660	iDimension XL floor stand with packaging	Consult
198708	iDimension XL mounting hardware and cable assembly kit with 25 ft North American power cord	Consult
206583	iDimension XL mounting hardware and cable assembly kit without power cord	Consult
184262	iDimension USB operator display RAM® mount kit	Consult

## Standard Features

- Easy to assemble in 30 minutes or less
- Displays dimensions in less than 2 seconds
- Automatic scan and dimension, no special package placement required
- Includes 7 in (178 mm) touch screen monitor
- Dimensions parcels at NTEP 0.5 inch (10 mm) Legal for Trade accuracy
- Dimensions irregular shapes and polybags at 0.5 inch NTEP Legal for Trade accuracy
- Capable to dimension opaque packaging
- Measurement capabilities beyond Legal for Trade limits
- Standard resolution color camera included
- High resolution color image, 2,880 x 2,160 pixels, available from iDimension Plus 4 K

## Peripherals

- Optional powered USB hub for use of more than one peripheral
- Optional wired or wireless bar code scanner
- Rice Lake BenchPro shipping/postal scales
- Rice Lake 680, 880, 1280 indicators available for automation applications

## Options

- iDimension XL mounting hardware and cable assembly kit (includes sensor mounting bracket, 25 ft US power card and two 10 ft USB Type A extension cables)
- RAM® mount kit for USB display
- Floor mount stand assembly

## Specifications

### System Requirements:

Windows® 10

### Power Requirements:

Single power source 110 to 240 V external power supply, US power cord

### Communication Ports:

- (1) USB A
- (1) 10/100/100 Base-T Ethernet

### Software Integration:

API and SDK files available for network device integration  
iDimension Desktop Wedge  
iDimension Software Suite

### Package Contents:

iDimension XL scanner head, calibration object, USB display and US power cord

### Operating Temperature:

32 °F to 104 °F (0 °C to 40 °C)

### Humidity:

Non-condensing

### Warranty:

Two-year limited

### Approvals:

NTEP 19-040A2  
OIML R129/2000-A-NL1-20.05  
CE Marked  
MID Certified  
NMI

# iDimension® Plus XL / OEM Series

Static Dimensioning System

DIMENSIONING

## Part Numbers/Price

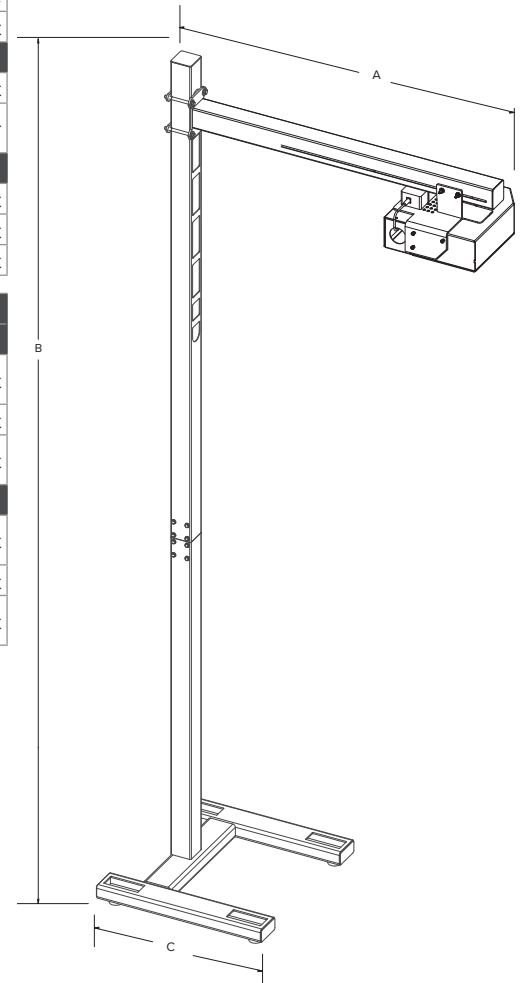
Part #	Description	Price
<b>Accessories</b>		
180007	Kit, USB hub, 5m cable assy, power adapter, 4 port industrial hub, North America power supply	Consult
205533	Power cord, detachable, German/French, 5 m	Consult
95589	Power cord, detachable, UK, 2.5 m	Consult
178501	RS-232/USB cable, for use with compatible indicators	Consult
<b>Bar code Scanner</b>		
176307	QuickScan QD2131 USB bar code scanner, keyboard wedge emulation mode only (alpha/numeric)	Consult
206225	Wireless Honeywell 1981IFR-3USB-5-N long-range bar code scanner	Consult
206228	Honeywell 1981IFR-3USB-5-N power supply scanner	Consult
<b>UPS Worldship Interface</b>		
180771	Kit USB hub for BenchPro Scale and UPS worldship compatibility, includes interface cable for RS-232 & USB to PC	Consult
<b>Integration Solutions</b>		
203010*	iDimension Desktop Wedge for Windows 10	N/C
175812	iDimension SS (software suite) web server software (Windows 10 required)	Consult
<b>Optional Factory Service and Support</b>		
202027	Level 1 remote support, iDimension Plus configuration and scale setup	Consult/Unit
202029	Level 2 remote support, iDimension Plus advanced configuration and software setup	Consult/Hour
<b>Extended Warranty – 2 year standard</b>		
202030	iDimension Plus additional 1 year extended warranty	Consult
202031	iDimension Plus additional 2 year extended warranty	Consult
202032	iDimension Plus additional 3 year extended warranty	Consult
<b>Rice Lake BenchPro Compatible Scales</b>		
<b>Shipping Scale 20 × 20 in (508 × 508 mm) Weight Platter</b>		
182396	Model BP 2020-150S, 300 × 0.1 lb /150 × 0.05 kg, painted mild steel weight platter	Consult
182397	Model BP 2020-150S, 300 × 0.1 lb /150 × 0.05 kg, ball top weight platter	Consult
182398	Model BP 2020-150S, 300 × 0.1 lb /150 × 0.05 kg, roller conveyor weight platter	Consult
<b>Shipping Scale 24 × 24 in (610 × 610 mm) Weight Platter</b>		
182400	Model BP 2424-150S, 300 × 0.1 lb /150 × 0.05 kg, painted mild steel weight platter	Consult
182401	Model BP 2424-150S, 300 × 0.1 lb /150 × 0.05 kg, ball top weight platter	Consult
182402	Model BP 2424-150S, 300 × 0.1 lb /150 × 0.05 kg, roller conveyor weight platter	Consult

\*Available for free download at [www.ricelake.com](http://www.ricelake.com)

\*\*USB HID interface not available when in the Postal Scale lb/oz mode



For more Elevated Load Cell Stand, please see page 584



## Optional iDimension Plus XL Floor Mount Stand Assembly Dimensions

	Inches	Millimeters
A	47.34	1,202
B	123.13	3,128
C	24.21	615

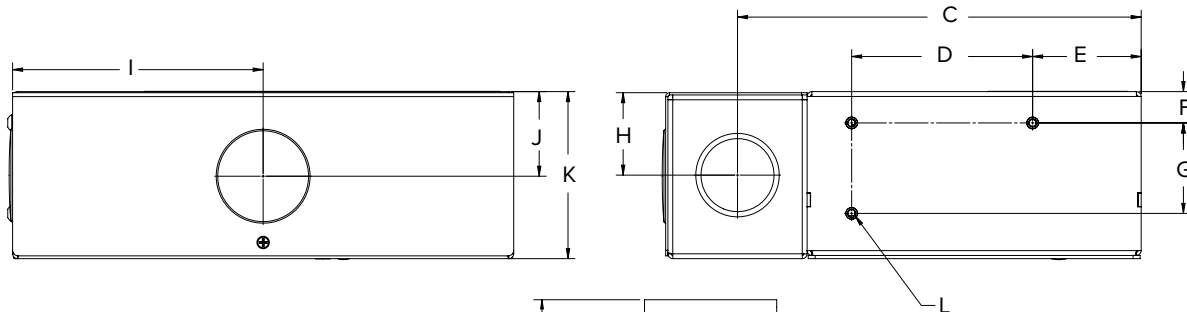
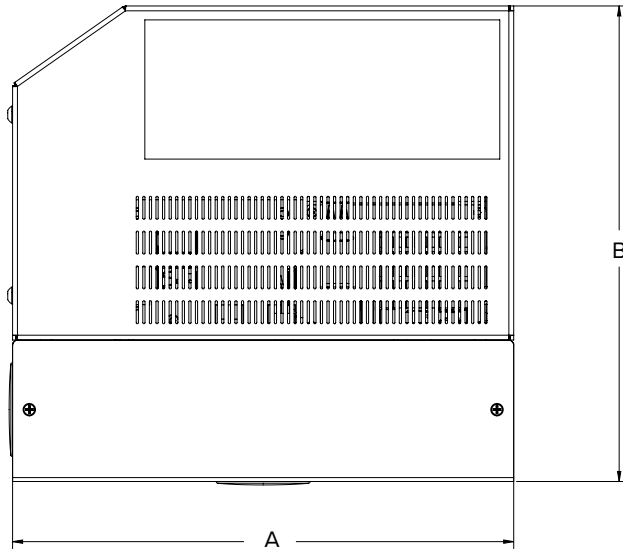
# iDimension® Plus XL / OEM Series

Static Dimensioning System

DIMENSIONING

## Dimensions - iDimension Plus XL Scanning Head Assembly

	Inches	Millimeters	Inches	Millimeters	Inches	Millimeters		
A	9.00	229	F	0.60	15	K	3.00	76.00
B	8.50	216	G	1.60	41	L	M4 × 0.7 threaded hole	
C	7.20	183	H	1.50	38			
D	3.30	84	I	4.50	114			
E	2.00	51	J	1.50	38			



## Dimensions - iDimension XL Mounting Bracket - PN 198708

	Inches	Millimeters
A	7.37	187
B	4.12	105
C	3.14	80
D	2x Ø.28	
E	3x Ø.19	

Use this bracket to mount iDimension XL Scanner head to the optional floor stand 174660 or to user provided structure

