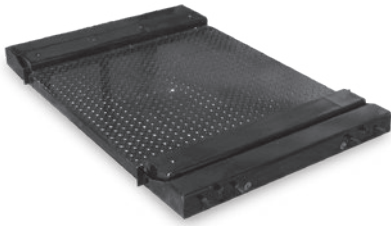


Mild Steel RoughDeck® BDP Portability Scale and Frame Parts

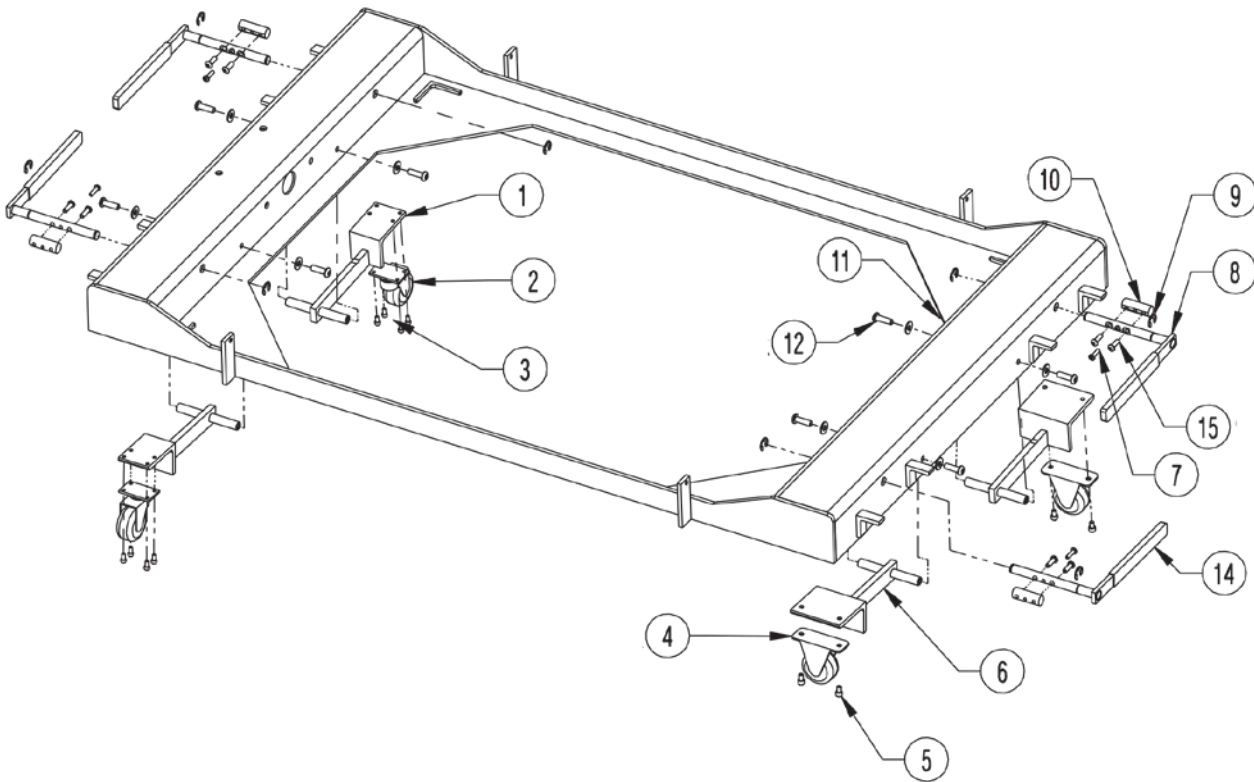


Part Number/Price

Ref#	Part#	Description	Price
	18756	Foot, SUREFOOT	Consult
	88956	Junction box, 4 channel, signal trim	Consult
	189152	Load cell, RL32018-1 k (1,000 lb & 2,500 lb scale)	Consult
Mild Steel			
1	78426	Swivel caster support (2)	Consult
2	78841	Caster swivel (2)	Consult
3	14931	Cap screw, 10 - 32 NF x 3/8 (8)	Consult
4	78842	Caster rigid (2)	Consult
5	14952	Screw, 1/4 - 20 NC (4)	Consult
6	78430	Caster support (2)	Consult
7	14938	Cap screw, 10 - 32 NF x 3/4 (4)	Consult
8	78437	Caster handle (4)	Consult
9	79418	Retaining ring (8)	Consult
10	78988	Cam (4)	Consult
11	79024	Nylon washer 5/16 in (8)	Consult
12	72359	Screw, 5/16 - 18 NC 3/4 (8)	Consult
14	78434	Grip handle (4)	Consult
15	41251	Cap screw, 1/4 - 20 NC x 3/4 (8)	Consult

(See Diagram RoughDeck BDP-A)
Diagram parts are for the optional portability kit

Floor Scales



RoughDeck BDP-A